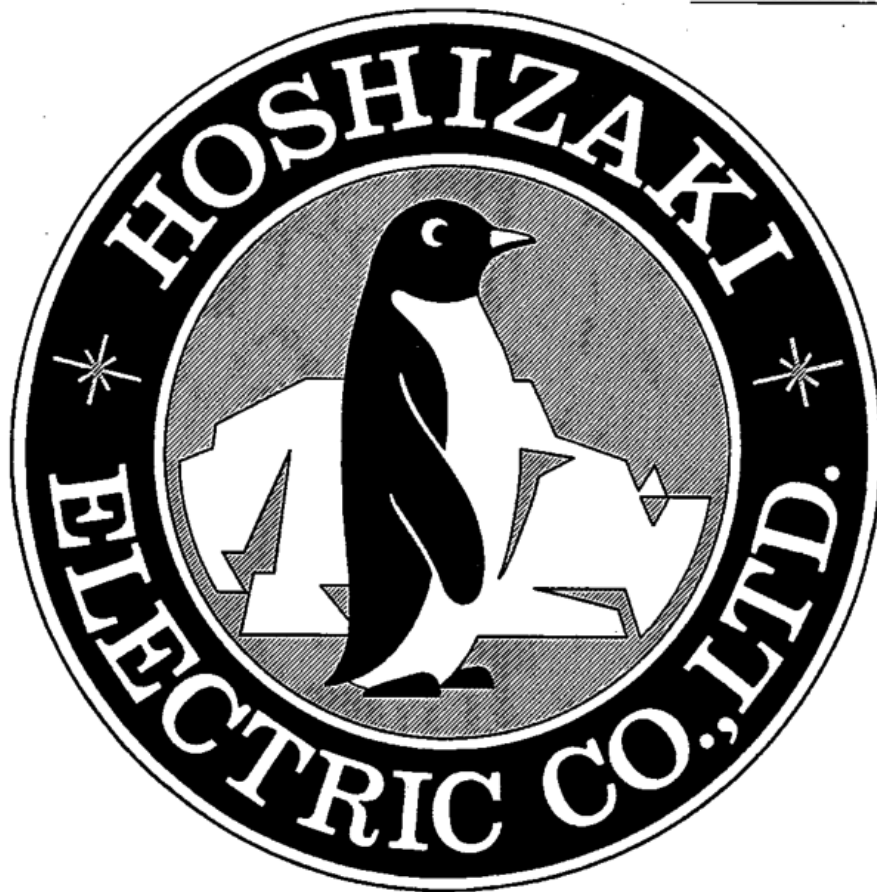


NO. 17EA-2556/71218

ISSUED: FEB.2003

REVISED: APR.2004



**HOSHIZAKI
SELF-CONTAINED CUBER
(OPEN CELL TYPE)**

MODEL AM-100BAE

**PARTS LIST
(HA)**

N-1 FEB. 2003
N-2 JUL. 2003
P-1 JAN. 2004

MATERIAL ABBREVIATIONS

ALUMINUM

AL = Aluminum

COPPER

CU = Copper

PLASTIC

ABS = Acrylonitrile -butadiene - styrene
AC = Polyacetal
EVA = Ethylene vinyl acetate
PA = Polyamide = Nylon
PC = Polycarbonate
PE = Polyethylene
PES = Polyester
PETP = Polyethylene terephthalate = Tetlon
PP = Polypropylene
PS = Polystyrene
PTFE = Polytetrafluoroethylene = Teflon
PUR = Polyurethane
PVC = Polyvinyl chloride

RUBBER

VN = Vinyl Nitrile
EPDM = EP rubber
NBR = Nitrile butadiene rubber
NR = Natural rubber
NP = Neoprene
SI.R = Silicone rubber
SY.R = Synthetic rubber
EPH = Epichlorohydrin

STEEL

GS = Galvanized steel
SS = Stainless steel
PS = Plated steel
PAS = Primed steel

AUXILIARY CODE

K-0

Designates the year. "K" indicates the year 2000. Years progress or regress in alphabetical order. "J" is 1999, "L" is 2001, "M" is 2002, and so on. The letters "I" and "O" were skipped.

Designates significant part changes within the same year. Base is 0 and this number advances for each change.

Example: P-1

"P" indicates 2004.

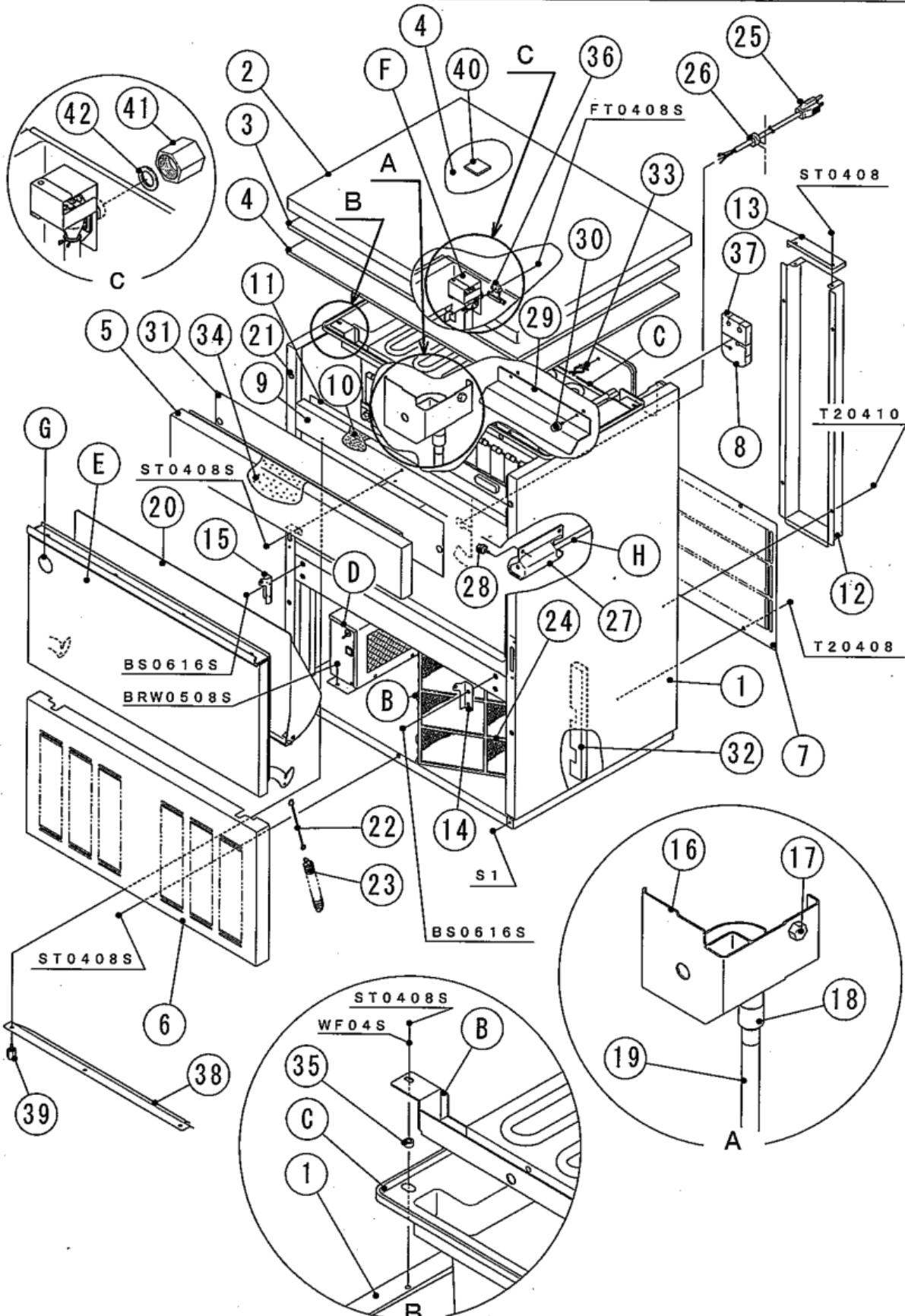
"1" indicates the first significant part change for 2004.

MARKS LOCATED UNDER THE AUXILIARY CODE

- = Part deleted.

x = Part deleted and replaced by "o" part.

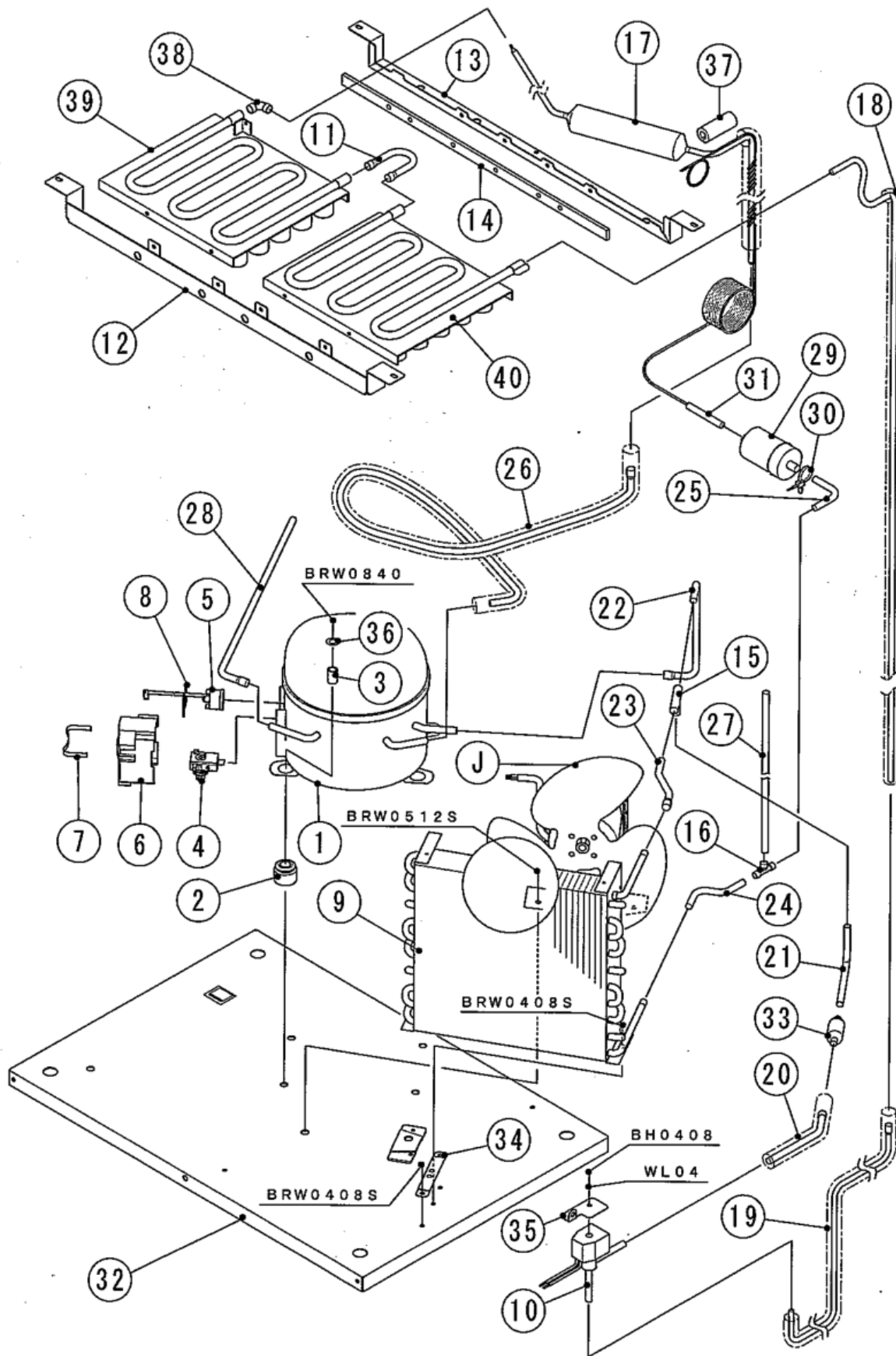
o = New part in place of "x" part.



S1-Hexagon Tapping Screw, 6x16

HA

MODEL : AM-100BAE				TITLE : A. ICE CUBER ASSY			
INDEX NO.	DESCRIPTION	MATERIAL OR MODEL NUMBER	PART NUMBER	REQ'D NUMBER			
				N-1	N-2	P-1	
B	REFRIGERATION ASSY	-	1H2808A01	1	1	1	
C	ICE MAKING MECHANISM ASSY	-	1H2809A01	1	1	1	
D	CONTROL BOX ASSY	-	2H5919A01	1	1	1	
E	DOOR ASSY	-	3X7233A01	1	1	1	
F	WATER CIRCUIT ASSY	-	3X7235A01	1	1	—	
		-	3X7235A04			1	
G	LABEL LOCATION	-	3X7237A01	1	1	1	
H	THERMOSTAT ASSY	-	3X7346A01	1	1	1	
1	UNIT FRAME	-	1H2807G01	1	1	—	
		-	1H2807G03			1	
2	TOP PANEL	S.S	2H3021-01	1	1	1	
3	INSULATION - TOP PANEL	STYROL	4Y0745-01	1	1	1	
4	COVER - TOP PANEL	ABS	4Y0747G01	1	1	1	
5	FRONT PANEL - UPPER	S.S	3X7246G01	1	1	1	
6	FRONT PANEL - LOWER	S.S	3X7234G01	1	1	1	
7	REAR PANEL	G.S	3X7112-01	1	1	1	
8	INSULATION A	PE	4Y1358-01	1	1	1	
9	FRONT FRAME	S.S	3H1678-12	1	1	1	
10	INSULATION - FRONT FRAME	PE	4Y0859-01	1	1	1	
11	COVER - FRONT FRAME	ABS	4Y0749-01	1	1	1	
12	COVER - PIPE	G.S	3X7113-01	1	1	1	
13	COVER - TOP	G.S	4Y0774-01	1	1	1	
14	HINGE (R)	S.S	4H2583-01	1	1	1	
15	HINGE (L)	S.S	4H2584-01	1	1	1	
16	DRAIN PAN	ABS	2H4534-01	1	1	1	
17	THUMB SCREW	ABS,S.S	415949G08	1	1	1	
18	DRAIN JOINT HOSE	SI,R	4H2585-01	1	1	1	
19	DRAIN HOSE	PVC	4Y0895-01	1	1	1	
20	SLOPE	ABS	3X7236-01	1	1	1	
21	TAPER COLLAR	S.S	4H0171-01	4	4	4	
22	HOOK	S.S	404060-10	1	1	1	
23	SPRING	ZINC-PLATED WIRE	4H0823-01	1	1	1	



HA

MODEL : AM-100BAE				TITLE : B. REFRIGERATION ASSY			
INDEX NO.	DESCRIPTION	MATERIAL OR MODEL NUMBER	PART NUMBER	REQ'D NUMBER			
				N-1	N-2	P-1	
J	FAN MOTOR ASSY	-	3X7240A01	1	1	1	
1	COMPRESSOR	QA110K27CAU6 -EOGS	464330-01	1	1	1	
2	RUBBER GROMMET	-	463983-01	4	4	4	
3	SLEEVE	-	463984-01	4	4	4	
4	STARTING RELAY	-	438849-01	1	1	1	
5	MOTOR PROTECTOR	-	464331-01	1	1	1	
6	PROTECTOR COVER	-	456255-01	1	1	1	
7	CLAMP	-	438846-01	1	1	1	
8	CLIP	-	438847-01	1	1	1	
9	CONDENSER	-	2H1066-01	1	1	1	
10	SOLENOID VALVE	ATS-7S12HD-1	464103-01	1	1	1	
11	COPPER TUBE(A) - JOINT	COPPER	4Y0766-01	1	1	1	
12	BRACKET - EVA(F)	S.S	3X7118-01	1	1	1	
13	BRACKET - EVA(R)	S.S	3X7119-01	1	1	1	
14	RUBBER - EVA	SI.R	4Y0874-01	1	1	1	
15	TEE	COPPER	420041-11	1	1	1	
16	TEE	COPPER	417394-01	1	1	1	
17	HEAT EXCHANGER	COPPER	3X7298G01	1	1	1	
18	COPPER TUBE(A) - HOT GAS	COPPER	4Y0753G01	1	1	1	
19	COPPER TUBE(B) - HOT GAS	COPPER	4Y0754G01	1	1	1	
20	COPPER TUBE(C) - HOT GAS	COPPER	4Y0755G01	1	1	1	
21	COPPER TUBE(D) - HOT GAS	COPPER	4Y0756-01	1	1	1	
22	COPPER TUBE(A) - HIGH SIDE	COPPER	4Y0757-01	1	1	1	
23	COPPER TUBE(B) - HIGH SIDE	COPPER	4Y0758-01	1	1	1	
24	COPPER TUBE(C) - HIGH SIDE	COPPER	4Y0759-01	1	1	1	
25	COPPER TUBE(D) - HIGH SIDE	COPPER	4Y0760-01	1	1	1	
26	COPPER TUBE(C) - SUCTION	COPPER	3X7109G01	1	1	1	
27	PROCESS TUBE(A)	COPPER	4Y0875-01	1	1	1	
28	PROCESS TUBE(B)	COPPER	4Y0762-01	1	1	-	
29	DRIER	DML 032S	463542-01	1	1	1	
30	TIE	T30RSF	436156-01	1	1	2	
31	COPPER TUBE(B) - JOINT	COPPER	4Y0761-01	1	1	1	

