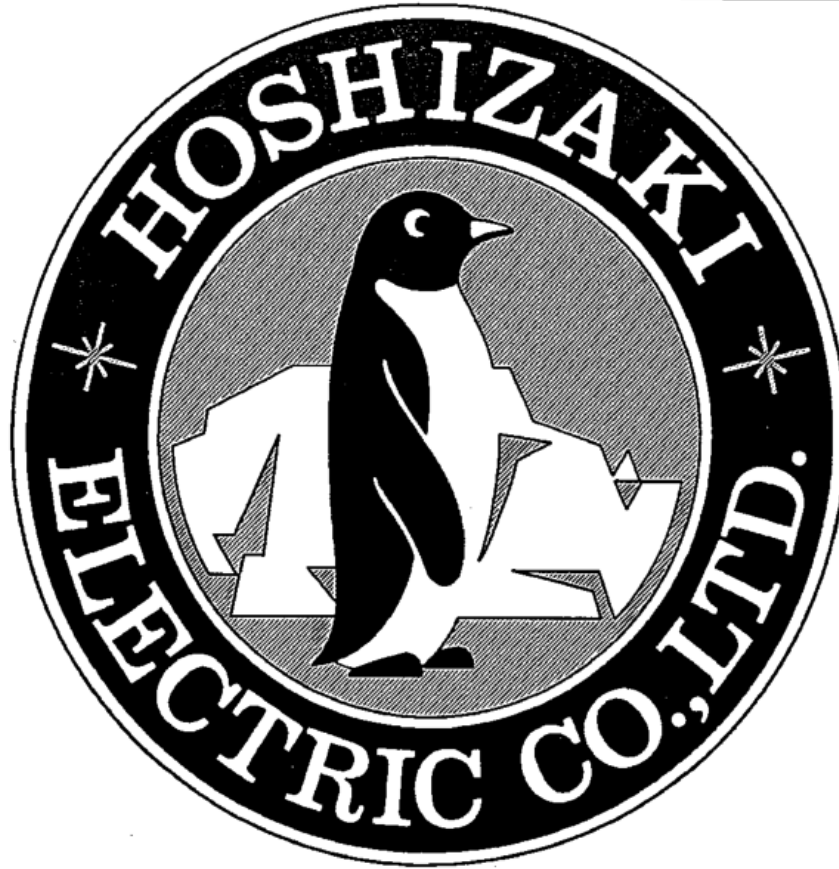


NO. 17EC-2633/71235

ISSUED: JAN.2004

REVISED: DEC.2004



**HOSHIZAKI
SELF-CONTAINED CUBER
(OPEN CELL TYPE)**

MODEL AM-150BWF

PARTS LIST
(HA)

N-1 DEC. 2003
P-1 MAY. 2004
P-2 JUL. 2004

MATERIAL ABBREVIATIONS

ALUMINUM

AL = Aluminum

COPPER

CU = Copper

PLASTIC

ABS = Acrylonitrile -butadiene - styrene
AC = Polyacetal
EVA = Ethylene vinyl acetate
PA = Polyamide = Nylon
PC = Polycarbonate
PE = Polyethylene
PES = Polyester
PETP = Polyethylene terephthalate = Tetlon
PP = Polypropylene
PS = Polystyrene
PTFE = Polytetrafluoroethylene = Teflon
PUR = Polyurethane
PVC = Polyvinyl chloride

RUBBER

VN = Vinyl Nitrile
EPDM = EP rubber
NBR = Nitrile butadiene rubber
NR = Natural rubber
NP = Neoprene
SI.R = Silicone rubber
SY.R = Synthetic rubber
EPH = Epichlorohydrin

STEEL

GS = Galvanized steel
SS = Stainless steel
PS = Plated steel
PAS = Primed steel

AUXILIARY CODE

K-0

Designates the year. "K" indicates the year 2000. Years progress or regress in alphabetical order. "J" is 1999, "L" is 2001, "M" is 2002, and so on. The letters "I" and "O" were skipped.

Designates significant part changes within the same year. Base is 0 and this number advances for each change.

Example: P-1

"P" indicates 2004.

"1" indicates the first significant part change for 2004.

MARKS LOCATED UNDER THE AUXILIARY CODE

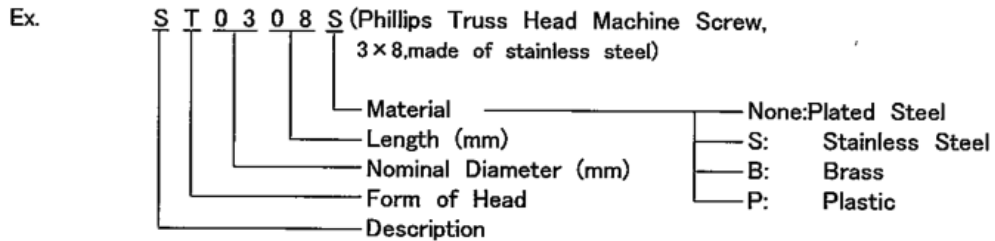
- = Part deleted.

x = Part deleted and replaced by "o" part.

o = New part in place of "x" part.

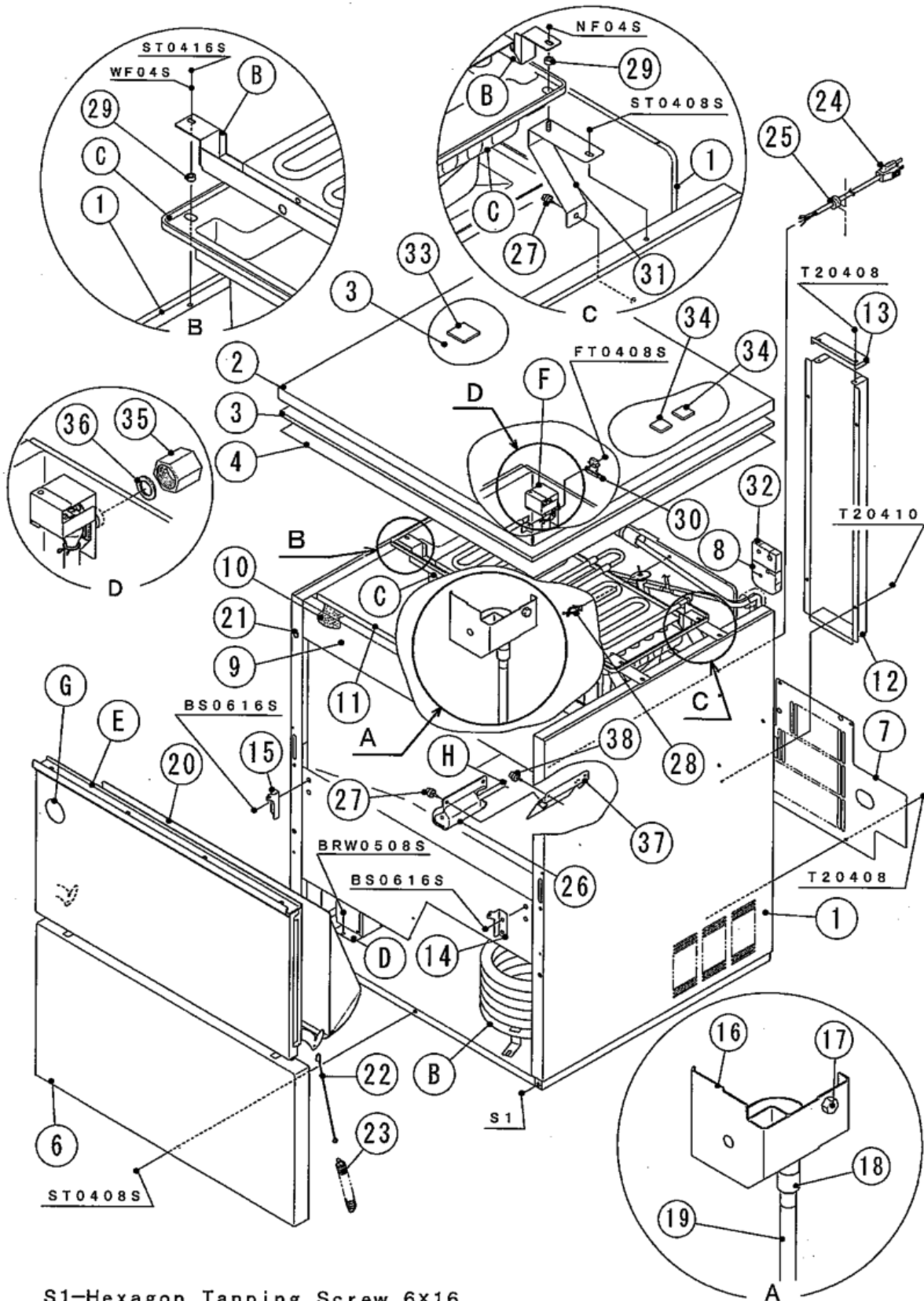
FASTENER ABBREVIATION LIST

| | | |
|-----|---|---|
| ST | = | Phillips Truss Head Machine Screw |
| SP | = | Phillips Pan Head Machine Screw |
| SF | = | Phillips Flat Head Machine Screw |
| SS | = | Phillips Pan Head Machine Screw with Split Lock Washer |
| SW | = | Phillips Pan Head Machine Screw with Split Lock Washer and Flat Washer |
| T1 | = | Phillips Truss Head Tapping Screw (Correspond to Type A) |
| T2 | = | Phillips Truss Head Tapping Screw (Correspond to Type B) |
| T3 | = | Phillips Truss Head Tapping Screw (Correspond to Type C) |
| FT | = | Phillips Truss Head Tapping Screw (Special) |
| BH | = | Hexagon Head Bolt |
| BC | = | Socket Head Cap Screw |
| BS | = | Hexagon Bolt with Split Washer |
| BW | = | Hexagon Bolt with Split Washer and Flat Washer |
| BF | = | Hexagon Flange Bolt |
| BR | = | Cross-Recessed Hexagon Head Bolt |
| BRW | = | Cross-Recessed Hexagon Head Bolt with Split Lock Washer and Flat Washer |
| WL | = | Split Lock Washer |
| WT | = | External Tooth Washer |
| WF | = | Flat Washer |
| WS | = | Spring Washer |
| NH | = | Hexagon Nut |
| NF | = | Hexagon Flange Nut |
| NC | = | Hexagon Cap Nut |
| NS | = | Square Nut |
| NW | = | Wing Nut |



(Note) Second character is numerical except the list.
 Ex: S1,S2,B3 etc.

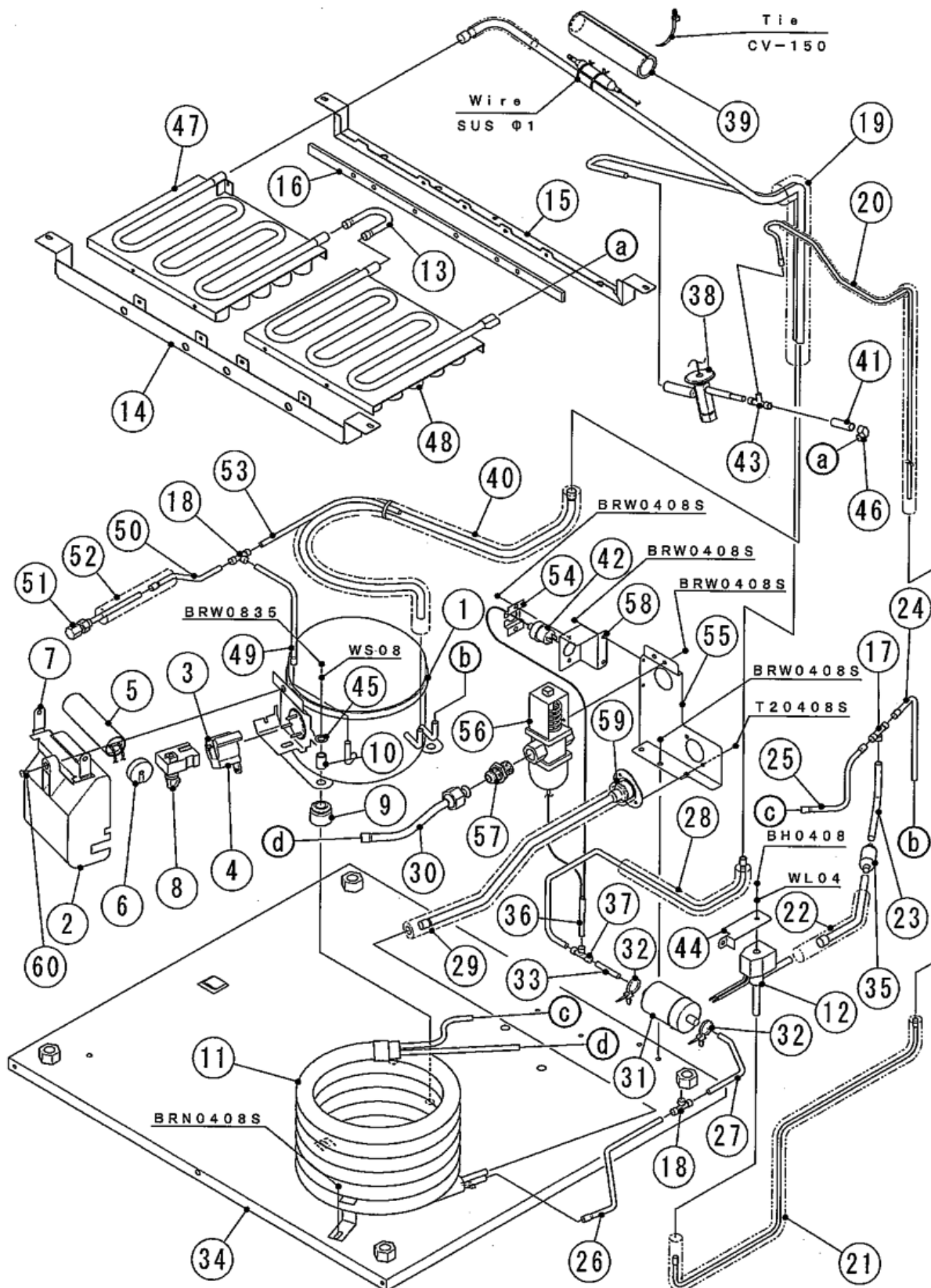
And abbreviations and names are shown under the illustration.



S1-Hexagon Tapping Screw, 6X16

HA

| MODEL : AM-150BWF | | TITLE : A. ICE CUBER ASSY | | | | | |
|-------------------|---------------------------|---------------------------|-------------|--------------|-----|-----|--|
| INDEX NO. | DESCRIPTION | MATERIAL OR MODEL NUMBER | PART NUMBER | REQ'D NUMBER | | | |
| | | | | N-1 | P-1 | P-2 | |
| B | REFRIGERATION ASSY | - | 1H2960A01 | 1 | - | | |
| | | - | 1H2960A02 | | 1 | 1 | |
| C | ICE MAKING MECHANISM ASSY | - | 1H2809A02 | 1 | 1 | 1 | |
| D | CONTROL BOX ASSY | - | 2H5919A02 | 1 | 1 | 1 | |
| E | DOOR ASSY | - | 3X7242A01 | 1 | 1 | 1 | |
| F | WATER CIRCUIT ASSY | - | 3X7235A03 | 1 | 1 | 1 | |
| G | LABEL LOCATION | - | 3X8466A01 | 1 | 1 | 1 | |
| H | THERMOSTAT ASSY | - | 3X7346A02 | 1 | 1 | 1 | |
| 1 | UNIT FRAME | - | 1H2786G03 | 1 | 1 | 1 | |
| 2 | TOP PANEL | S.S | 2H5925G01 | 1 | 1 | - | |
| | | S.S | 2H6682-01 | | | 1 | |
| 3 | INSULATION - TOP PANEL | STYROL | 4Y0775-01 | 1 | 1 | 1 | |
| 4 | COVER - TOP PANEL | ABS | 2H6652-01 | 1 | 1 | 1 | |
| 5 | - | - | - | | | | |
| 6 | FRONT PANEL - LOWER | S.S | 2H6424-01 | 1 | 1 | 1 | |
| 7 | REAR PANEL | G.S | 3X8447-01 | 1 | 1 | 1 | |
| 8 | INSULATION(A) | PE | 4Y1359-01 | 1 | 1 | 1 | |
| 9 | FRONT FRAME | S.S | 3X7244-02 | 1 | 1 | - | |
| | | S.S | 3X7244-03 | | | 1 | |
| 10 | INSULATION - FRONT FRAME | PE | 4Y0792-02 | 1 | 1 | 1 | |
| 11 | COVER - FRONT FRAME | ABS | 4Y0777-02 | 1 | 1 | 1 | |
| 12 | COVER - PIPE | G.S | 3X7127-01 | 1 | 1 | 1 | |
| 13 | COVER - TOP | G.S | 4Y0774-01 | 1 | 1 | 1 | |
| 14 | HINGE (R) | S.S | 4H2583-01 | 1 | 1 | 1 | |
| 15 | HINGE (L) | S.S | 4H2584-01 | 1 | 1 | 1 | |
| 16 | DRAIN PAN | ABS | 2H4534-01 | 1 | 1 | 1 | |
| 17 | THUMB SCREW | ABS,S.S | 415949G08 | 1 | 1 | 1 | |
| 18 | DRAIN JOINT HOSE | SI.R | 4H2585-01 | 1 | 1 | 1 | |
| 19 | DRAIN HOSE | PVC | 4Y0896-01 | 1 | 1 | 1 | |
| 20 | SLOPE | ABS | 3X7135G01 | 1 | 1 | 1 | |
| 21 | TAPER COLLAR | S.S | 4H0171-01 | 2 | 2 | 2 | |
| 22 | HOOK | S.S | 4Y0884-01 | 1 | 1 | 1 | |
| 23 | SPRING | ZINC-PLATED WIRE | 4H0823-01 | 1 | 1 | 1 | |



HA

| MODEL : AM-150BWF | | | TITLE : B. REFRIGERATION ASSY | | | | |
|-------------------|------------------------------|--------------------------|-------------------------------|--------------|-----|-----|--|
| INDEX NO. | DESCRIPTION | MATERIAL OR MODEL NUMBER | PART NUMBER | REQ'D NUMBER | | | |
| | | | | N-1 | P-1 | P-2 | |
| 1 | COMPRESSOR | ASE24C3E-1AA | 4Y0903-01 | 1 | - | | |
| | | | 4A2272-02 | | 1 | 1 | |
| 2 | COVER | - | 4Y0903F01 | 1 | - | | |
| | | | 4A2272F01 | | 1 | 1 | |
| 3 | PROTECTOR RETAINER | - | 4Y0903F02 | 1 | - | | |
| | | | 4A2272F02 | | 1 | 1 | |
| 4 | PROTECTOR | - | 4A2293-01 | 1 | - | | |
| | | | 4A2989-01 | | 1 | 1 | |
| 5 | STARTING CAPACITOR | - | 4Y0897-01 | 1 | - | | |
| | | | 4Y2011G01 | | 1 | 1 | |
| 6 | CAP - CAPACITOR | - | 4Y0904-01 | 1 | 1 | 1 | |
| 7 | BRACKET - CAPACITOR | - | 4Y0898-01 | 1 | 1 | 1 | |
| 8 | STARTER | - | 4A2294-01 | 1 | - | | |
| | | | 4A3455-01 | | 1 | 1 | |
| 9 | GROMMET | 027-C210-03 | 4A2281-01 | 4 | 4 | 4 | |
| 10 | SPACER | 028-0188-11 | 4A2500-01 | 4 | 4 | 4 | |
| 11 | CONDENSER - WATER COOLED | - | 204411G01 | 1 | 1 | 1 | |
| 12 | SOLENOID VALVE | ATS-7S12HD-1 | 464103-01 | 1 | 1 | 1 | |
| 13 | COPPER TUBE(A) - JOINT | COPPER | 4Y0766-01 | 1 | 1 | 1 | |
| 14 | BRACKET - EVA(F) | S.S | 3X7118-01 | 1 | 1 | 1 | |
| 15 | BRACKET - EVA(R) | S.S | 3X7119-01 | 1 | 1 | 1 | |
| 16 | RUBBER - EVA | SI.R | 4Y0874-01 | 1 | 1 | 1 | |
| 17 | TEE | COPPER | 420041-11 | 1 | 1 | 1 | |
| 18 | TEE | COPPER | 417394-01 | 2 | 2 | 2 | |
| 19 | HEAT EXCHANGER | COPPER | 3X7123G01 | 1 | 1 | 1 | |
| 20 | COPPER TUBE(A) - HOT GAS | COPPER | 3X7120G01 | 1 | 1 | 1 | |
| 21 | COPPER TUBE(B) - HOT GAS | COPPER | 4Y0778G01 | 1 | 1 | 1 | |
| 22 | COPPER TUBE(C) - HOT GAS | COPPER | 4Y0779G01 | 1 | 1 | 1 | |
| 23 | COPPER TUBE(D) - HOT GAS | COPPER | 4Y1820-01 | 1 | 1 | 1 | |
| 24 | COPPER TUBE(A) - HIGH SIDE | COPPER | 4Y1822-01 | 1 | 1 | 1 | |
| 25 | COPPER TUBE(B) - HIGH SIDE | COPPER | 4Y1821-01 | 1 | 1 | 1 | |
| 26 | COPPER TUBE(C) - HIGH SIDE | COPPER | 4Y1819-01 | 1 | 1 | 1 | |
| 27 | COPPER TUBE(D) - HIGH SIDE | COPPER | 4Y1818-01 | 1 | 1 | 1 | |

HA

| MODEL : AM-150BWF | | | | TITLE : B. REFRIGERATION ASSY | | | |
|-------------------|------------------------------|--------------------------|-------------|-------------------------------|-----|-----|--|
| INDEX NO. | DESCRIPTION | MATERIAL OR MODEL NUMBER | PART NUMBER | REQ'D NUMBER | | | |
| | | | | N-1 | P-1 | P-2 | |
| 28 | COPPER TUBE(F) - HIGH SIDE | COPPER | 3X8446G01 | 1 | 1 | 1 | |
| 29 | COPPER TUBE - FITTING | COPPER | 4Y1798G01 | 1 | 1 | 1 | |
| 30 | COPPER TUBE(B) - WATER | COPPER | 4Y1800G01 | 1 | 1 | 1 | |
| 31 | DRIER | DML 032S | 463542-01 | 1 | 1 | 1 | |
| 32 | TIE | T30RSF | 436156-01 | 2 | 2 | 2 | |
| 33 | COPPER TUBE(B) - JOINT | COPPER | 4Y1817-01 | 1 | 1 | 1 | |
| 34 | BASE | G.S | 2H6423G01 | 1 | 1 | 1 | |
| 35 | STRAINER | COPPER | 430365-02 | 1 | 1 | 1 | |
| 36 | COPPER TUBE - JOINT | COPPER | 4H9161-01 | 1 | 1 | 1 | |
| 37 | TEE | COPPER | 420041-16 | 1 | 1 | 1 | |
| 38 | EXPANSION VALVE | FRE-5NHD-2 | 4Y0902-01 | 1 | 1 | 1 | |
| 39 | INSULATION - SILICONE | - | 4Y0883-01 | 1 | 1 | 1 | |
| 40 | COPPER TUBE(A) - SUCTION | COPPER | 3X8448G01 | 1 | 1 | 1 | |
| 41 | COPPER TUBE(G) - HIGH SIDE | COPPER | 4Y0787-01 | 1 | 1 | 1 | |
| 42 | PRESSURE SWITCH | ACB-2UB02 | 433441-01 | 1 | 1 | 1 | |
| 43 | TEE | COPPER | 420335-01 | 1 | 1 | 1 | |
| 44 | BRACKET - HOT GAS VALVE | G.S | 4Y0947-01 | 1 | 1 | 1 | |
| 45 | WASHER | - | 4H4467-01 | 4 | 4 | 4 | |
| 46 | ELBOW | COPPER | 417395-02 | 1 | 1 | 1 | |
| 47 | EVAPORATOR(L) | - | 3X7101G01 | 1 | 1 | 1 | |
| 48 | EVAPORATOR(R) | - | 3X7099G01 | 1 | 1 | 1 | |
| 49 | COPPER TUBE (A) - PROCESS | COPPER | 4Y1797-01 | 1 | 1 | 1 | |
| 50 | COPPER TUBE (B) - PROCESS | COPPER | 4Y1796-01 | 1 | 1 | 1 | |
| 51 | ACCESS VALVE | - | 457729-01 | 1 | 1 | 1 | |
| 52 | INSULATION - TUBE | PE | 1H2960-69 | 1 | 1 | 1 | |
| 53 | PROCESS TUBE (B) | COPPER | 4Y1795-01 | 2 | 2 | 2 | |
| 54 | BRACKET - PRESSURE SWITCH | G.S | 425506-01 | 1 | 1 | 1 | |
| 55 | BRACKET - WATER REGULATOR | G.S | 3X8433-01 | 1 | 1 | 1 | |
| 56 | WATER REGULATOR | - | 4A0911-06 | 1 | 1 | 1 | |
| 57 | MALE CONNECTOR | COPPER | 4A1284-01 | 1 | 1 | 1 | |
| 58 | BRACKET - PRESSURE SWITCH | G.S | 4Y1786-01 | 1 | 1 | 1 | |
| 59 | INSULATION - ADAPTOR | PE | 4Y1904-01 | 1 | 1 | 1 | |
| 60 | SCREW | - | 4A3358-01 | 1 | 1 | 1 | |

