



# HOSHIZAKI

## Parts List

Self-Contained Cuber

Models

AM-50BAK

AM-50BAK-DS

AM-50BAK-AD

AM-50BAK-ADDS



[hoshizakiamerica.com](http://hoshizakiamerica.com)

Number: 71446  
Issued: 1-27-2025  
Revised: 9-10-2025

## CONTENTS

Auxiliary Codes.....	3
Note About Ordering Parts .....	3
A. Main Assembly .....	4
B. Refrigeration Circuit.....	6
C. Water Circuit & Ice Making Unit.....	8
D. Control Box Assembly.....	10
E. Door Assembly .....	11
AM-50BAK, AM-50BAK-AD.....	11
AM-50BAK-DS, AM-50BAK-ADDS.....	12
F. Accessories & Labels.....	13

## Auxiliary Codes

### AM-50BAK

P-0 January 2024

P-1 August 2024

Q-0 March 2025

### AM-50BAK-DS

Q-0 March 2025

### AM-50BAK-AD

Q-0 March 2025

### AM-50BAK-ADDS

Q-0 March 2025

## Auxiliary Code Breakdown

The auxiliary code is the first two characters in the serial number. The first character indicates the year. Years progress or regress in alphabetical order. The series runs from "A" through "V" and the letters "I" and "O" are skipped. The second character indicates significant part changes within a year. Base is "0" and this number advances for each change. In cases where there is a letter in parentheses, this designates the month. This is the last character in the serial number. The series runs from "(A)" through "(M)" and the letter "(I)" is skipped. This designation is only included when identifying a parts change within an auxiliary code.

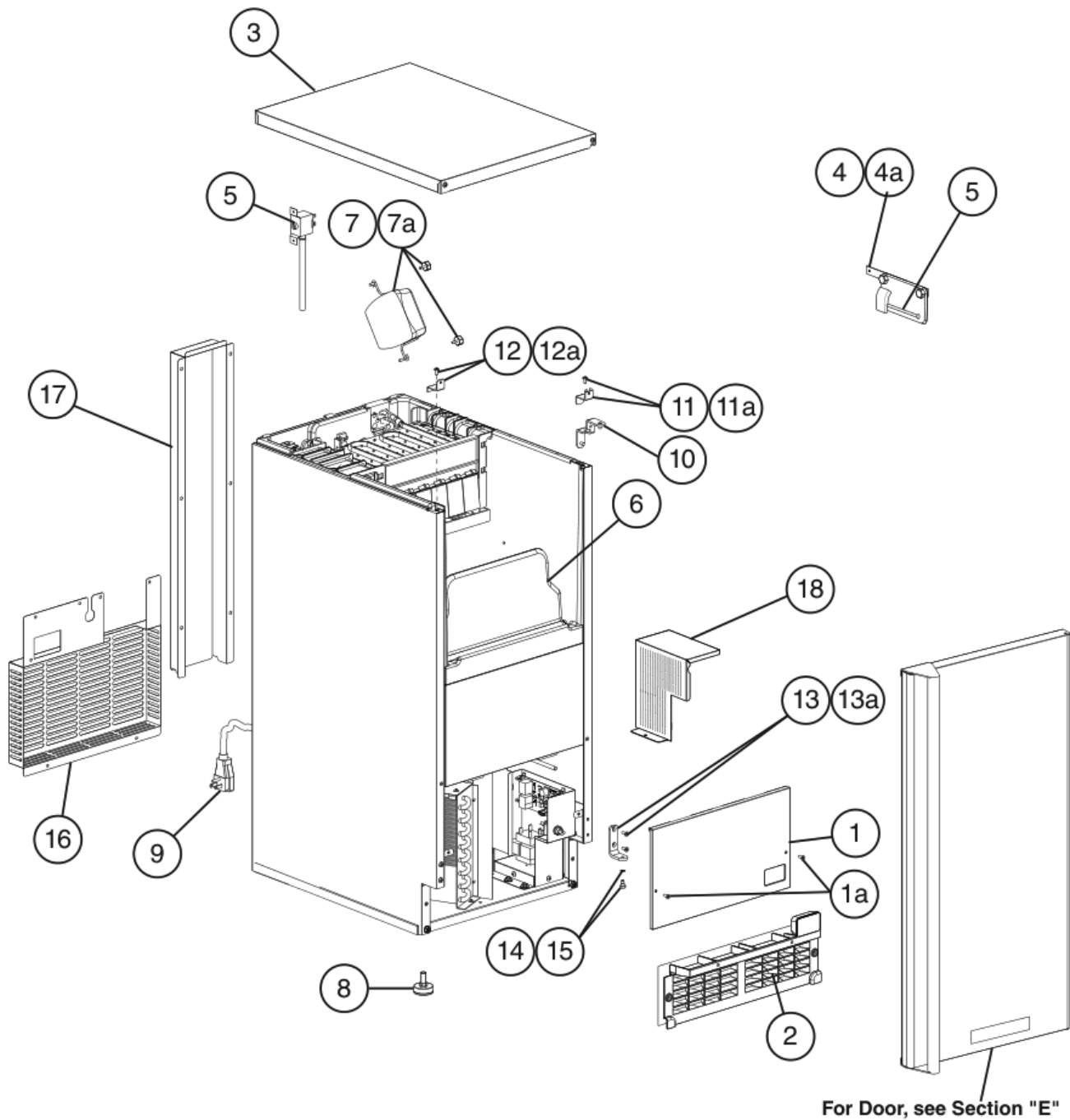
## Note About Ordering Parts

Most assemblies cannot be ordered as complete units; parts in the assemblies generally must be ordered separately.

# A. Main Assembly

## AM-50BAK, AM-50BAK-DS, AM-50BAK-AD, AM-50BAK-ADDS

P-0 to Q-0

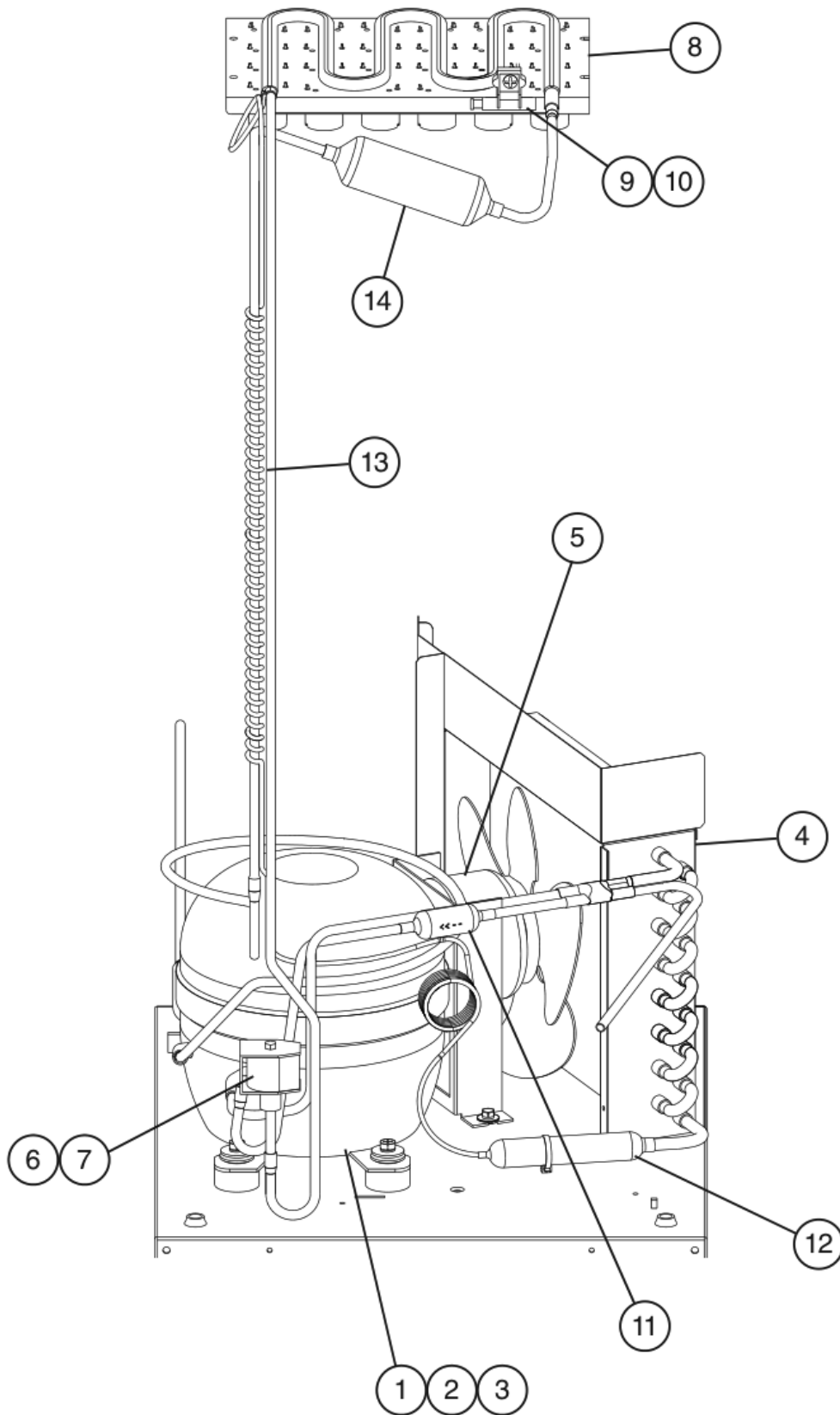


Title: A. Main Assembly Model: AM-50BAK, AM-50BAK-DS, AM-50BAK-AD, AM-50BAK-ADDS											
Index No.	Description	Material or Model Number	Part Number	P-0 to Q-0	Required Number						
1	Front Panel	AM-50BAK AM-50BAK-DS	<a href="#">2A8926-01</a>	1							
		AM-50BAK-AD AM-50BAK-ADDS	<a href="#">2A8926-02</a>	1							
1a	Screw		<a href="#">7P32-0410</a>	1							
2	Louver		<a href="#">2H5560-01</a>	1							
3	Top Panel Assembly		<a href="#">2B0910G01</a>	1							
4	Thermistor Holder		<a href="#">2B0632-01</a>	1							
4a	Thumbscrew		<a href="#">415949G10</a>	2							
5	Bin Control Thermistor		<a href="#">2B0601-01</a>	1							
6	Slope		<a href="#">3X6383-01</a>	1							
7	Scoop Holder		<a href="#">4Y0213-01</a>	1							
7a	Thumbscrew		<a href="#">415949G10</a>	2							
8	Leg		<a href="#">4A2966-01</a>	4							
9	Power Supply Cord		<a href="#">4A5718-01</a>	1							
10	Hinge A	AM-50BAK AM-50BAK-AD	<a href="#">4Y0194G01</a>	1							
	Hinge A (R)	AM-50BAK-DS AM-50BAK-ADDS	<a href="#">4A4885G01</a>	1							
11	Hinge A Bracket		<a href="#">3B1873-01</a>	1							
11a	Screw		<a href="#">7C32-0410</a>	1							
12	Top Brace		<a href="#">4Y0193-01</a>	1							
12a	Screw		<a href="#">7C32-0410</a>	1							
13	Hinge B	AM-50BAK AM-50BAK-AD	<a href="#">4Y0192-01</a>	1							
		AM-50BAK-DS AM-50BAK-ADDS	<a href="#">4A7471-01</a>	1							
13a	Flat Head Screw	4x12, SS	<a href="#">7C22-0412</a>	2							
14	Hinge Stop Pin		<a href="#">4A2180-01</a>	1							
15	Tooth Washer		<a href="#">7R22-0600</a>	1							
16	Rear Louver Panel	AM-50BAK AM-50BAK-DS	<a href="#">2B0706-01</a>	1							
		AM-50BAK-AD AM-50BAK-ADDS	<a href="#">2B0714-01</a>	1							
17	Pipe Cover		<a href="#">3B1915-01</a>	1							
18	Control Box Cover		<a href="#">3B1846-01</a>	1							

## B. Refrigeration Circuit

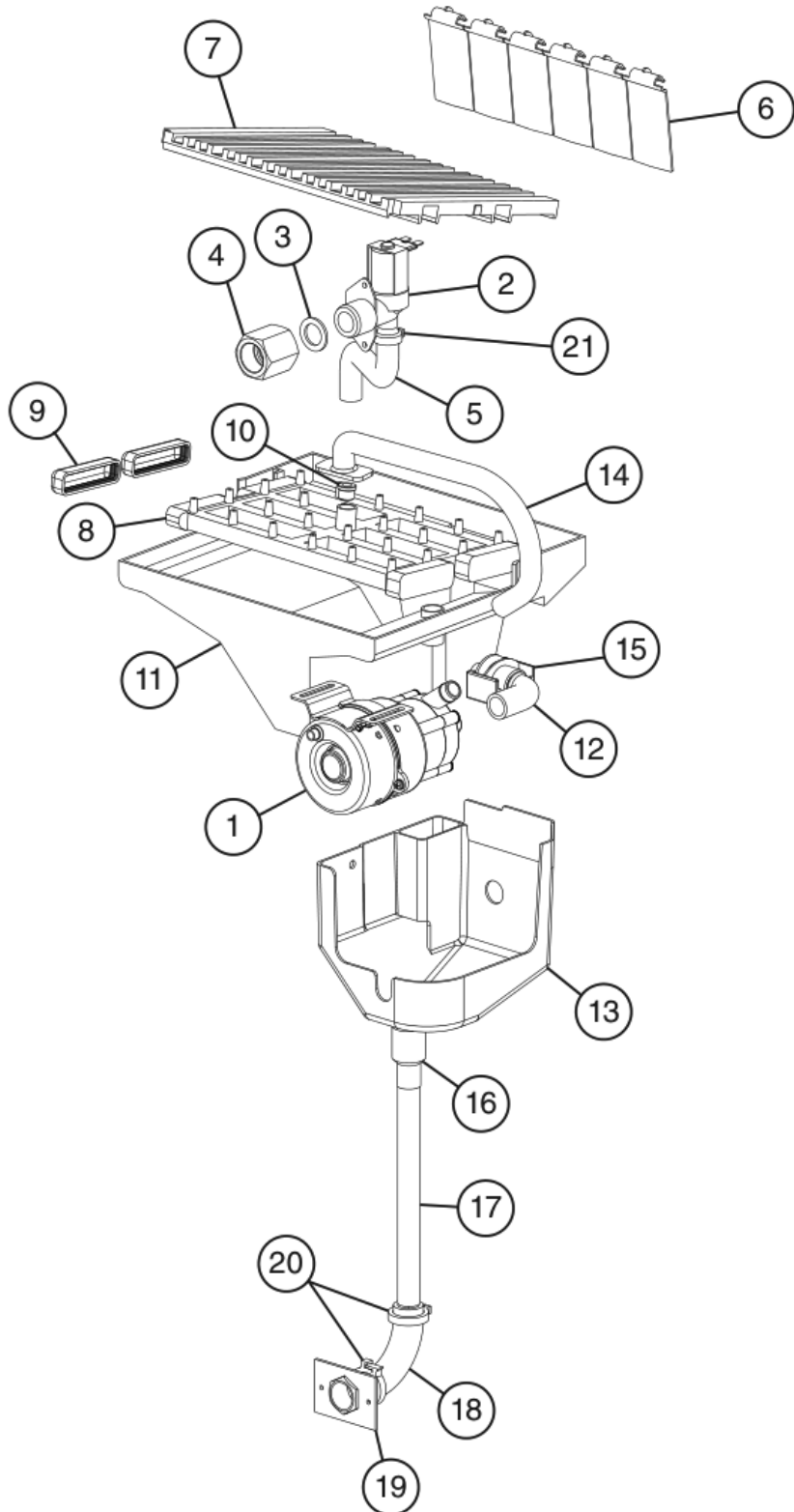
AM-50BAK, AM-50BAK-DS, AM-50BAK-AD, AM-50BAK-ADDS

P-0 to Q-0



Title: B. Refrigeration Circuit Model: AM-50BAK, AM-50BAK-DS, AM-50BAK-AD, AM-50BAK-ADDS													
Index No.	Description	Material or Model Number	Part Number	P-0 to Q-0	Required Number								
1	Compressor		4A7346-01	1									
2	PTC Start Relay		4A7349-01	1									
3	External Protector		4A7438-01	1									
4	Condenser		2H5586-01	1									
5	Fan Motor Assembly		1A8025A01	1									
6	Valve Body		4A3275-01	1									
7	Valve Coil		4A3277-01	1									
8	Evaporator		2X3515G01	1									
9	Thermistor - Evaporator		425373-05	1									
10	Thermistor Holder		3H9642-01	1									
11	Strainer		441569-03	1									
12	Drier		445655-04	1									
13	Heat Exchanger Assembly (includes item 12)		3B1631G01	1									
14	Accumulator		460537-02	1									

**C. Water Circuit & Ice Making Unit**  
**AM-50BAK, AM-50BAK-DS, AM-50BAK-AD, AM-50BAK-ADDS**  
P-0 to Q-0

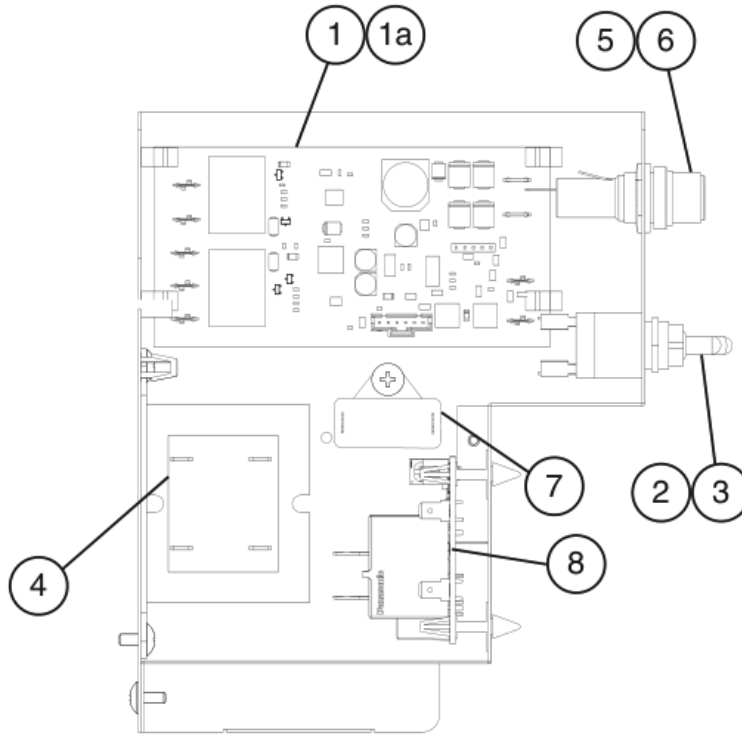


Title: C. Water Circuit & Ice Making Unit Model: AM-50BAK, AM-50BAK-DS, AM-50BAK-AD, AM-50BAK-ADDS											
Index No.	Description	Material or Model Number	Part Number	P-0 to Q-0	Required Number						
1	Pump Motor		3B1175-01	1							
2	Inlet Water Valve		4A6722-01	1							
3	Rubber Gasket		413854-03	1							
4	Fitting C		4A3240-01	1							
5	Water Valve Tube		4A6872-01	1							
6	Separator		3A9811-01	6							
7	Ice Chute		3X3863-01	1							
8	Nozzle		2H4536-01	1							
9	Cap		4X7936-01	2							
10	Reducing Pipe		4A2903-01	1							
11	Water Tank		2H4535-01	1							
12	Suction Tube		4X7937-01	1							
13	Joint		4X7934-01	1							
14	Discharge Tube		3X3864-01	1							
15	Drain Pan		2H4534-01	1							
16	Drain Tube		4H2585-01	1							
17	Drain Pipe		4Y0211-01	1							
18	Elbow Hose		4A1165-08	1							
19	Drain Fitting		4A3488G01	1							
<b>Hose Clamps</b>											
20	Hose Clamp	22-25 mm	4A2017-09	2							
21	Hose Clamp	13-15 mm	4A2017-08	1							

### D. Control Box Assembly

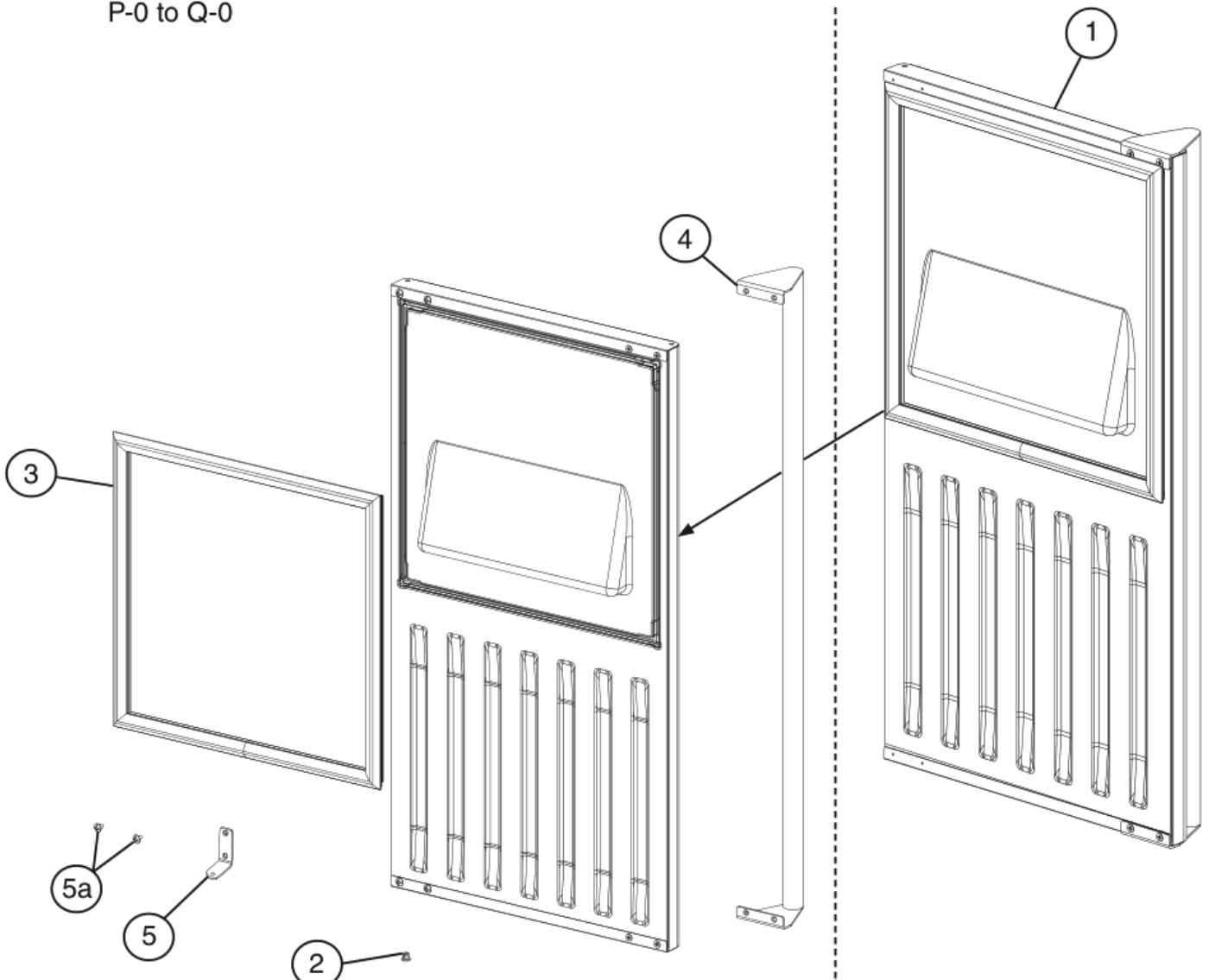
#### AM-50BAK, AM-50BAK-DS, AM-50BAK-AD, AM-50BAK-ADDS

P-0 to Q-0



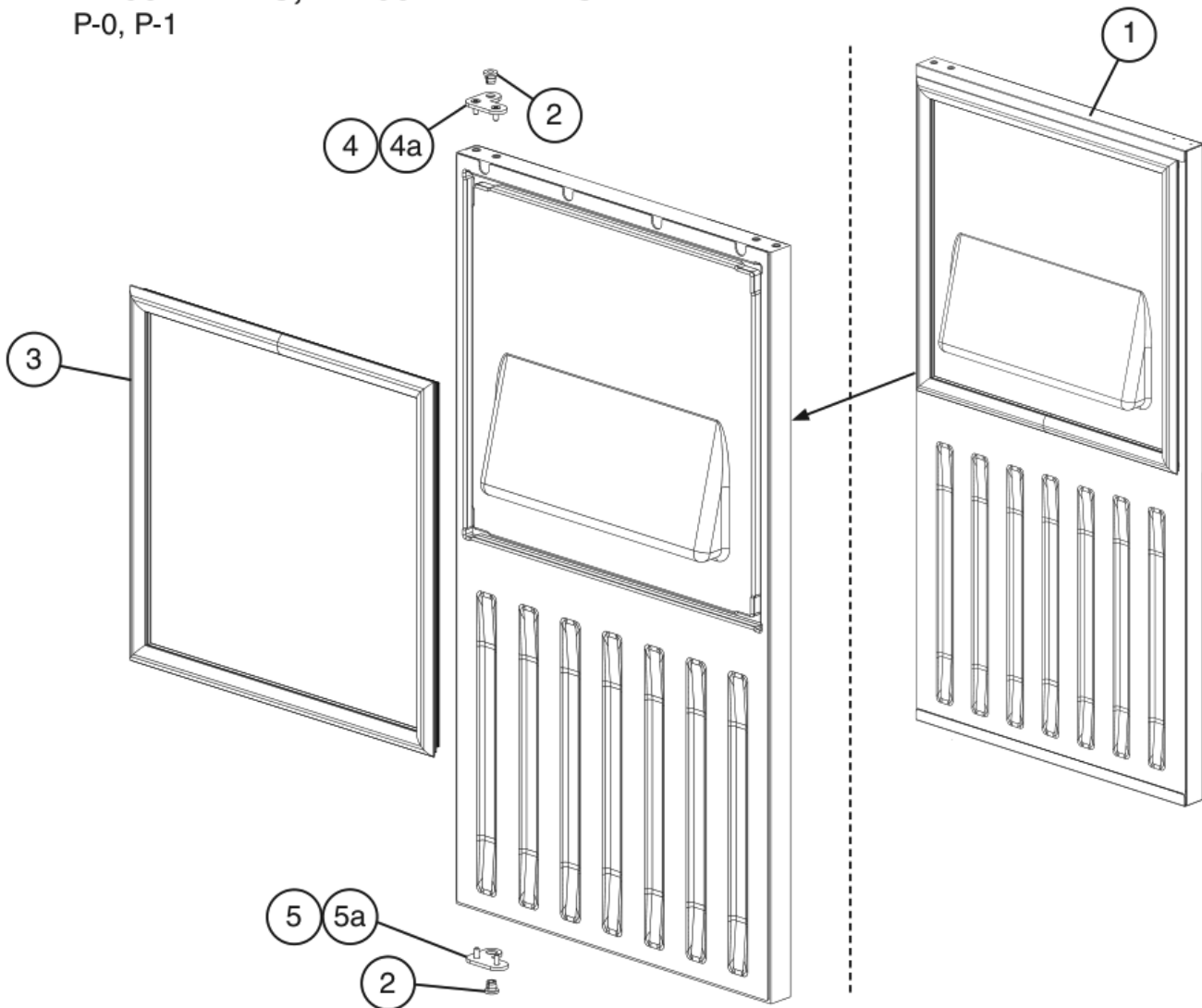
Title: D. Control Box Assembly Model: AM-50BAK, AM-50BAK-DS, AM-50BAK-AD, AM-50BAK-ADDS													
Index No.	Description	Material or Model Number	Part Number	Required Number									
				P-0 to Q-0									
1	Control Board		4A5520-01	1									
1a	Control Board Support		4A0336-03	4									
2	Control Switch		4A7449-01	1									
3	Cap		4A1937-01	1									
4	Control Transformer		4A0557-01	1									
5	Fuse Holder		4A5443-01	1									
6	Fuse	0.375 A	4A0893-12	1									
7	Pump Capacitor	1 MFD	4A2128-10	1									
8	Thermistor Control Board		2B0595-02	1									
9	Wire Harness Inside (A) (not shown)		4A7741-02	1									
10	Wire Harness Outside (B) (not shown)		4A7741-01	1									
11	Plug Housing (not shown)		412832-06	1									
			412832-07	1									

**E. Door Assembly**  
**AM-50BAK, AM-50BAK-AD**  
P-0 to Q-0



Title: E. Door Assembly		Model: AM-50BAK, AM-50BAK-AD		Required Number										
Index No.	Description	Material or Model Number	Part Number	P-0 to Q-0										
1	Door Assembly	AM-50BAK	2B0329G01	1										
		AM-50BAK-AD	2B0329G02	1										
2	Bushing		4A6410-01	1										
3	Gasket Magnetic		2A9907-01	1										
4	Handle	AM-50BAK	4A6129-01	1										
		AM-50BAK-AD	4A6129-02	1										
5	Hinge (B)		4Y0192-01	1										
5a	Truss Head Screw		7C32-0408	2										

**E. Door Assembly**  
**AM-50BAK-DS, AM-50BAK-ADDS**  
P-0, P-1

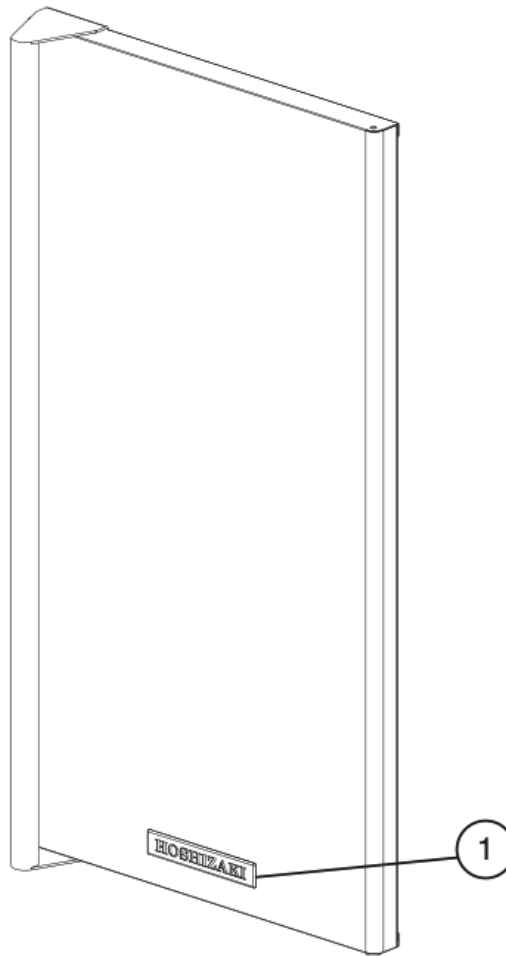


Title: F. Door Assembly Model: AM-50BAK-DS, AM-50BAK-ADDS					Required Number							
Index No.	Description	Material or Model Number	Part Number	P-0 P-1								
1	Door Assembly	AM-50BAK-DS	2B0330G01	1								
		AM-50BAK-ADDS	2B0330G02	1								
2	Bushing		4A6410-01	2								
3	Gasket Magnetic		2A9907-01	1								
4	Hinge C Assembly (UR, LL) (includes one of item 2)		4A3983G01	1								
4a	Flat Head Screw	4x12, SS	7C22-0412	2								
5	Hinge C Assembly (LR, UL) (includes one of item 2)		4A3983G02	1								
5a	Flat Head Screw	4x12, SS	7C22-0412	2								

## F. Accessories & Labels

**AM-50BAK, AM-50BAK-DS, AM-50BAK-AD, AM-50BAK-ADDS**

P-0, P-1



Title: F. Accessories & Labels Model: AM-50BAK, AM-50BAK-DS, AM-50BAK-AD, AM-50BAK-ADDS											
Index No.	Description	Material or Model Number	Part Number	Required Number							
				P-0	P-1						
1	Hoshizaki Emblem	<b>AM-50BAK</b> <b>AM-50BAK-AD</b>	<a href="#">4A0560-01</a>	1							
2	Scoop		<a href="#">204336-01</a>	1							
3	Control Label		<a href="#">463253-01</a>	1							
4	Canoe Clip		<a href="#">4A5835-01</a>	2							
5	Wood Panel Bracket	<b>AM-50BAK-DS</b> <b>AM-50BAK-ADDS</b>	<a href="#">4A3998-01</a>	1							
6	Threaded Wood Insert	<b>AM-50BAK-DS</b> <b>AM-50BAK-ADDS</b>	<a href="#">4A4004-01</a>	6							
7	Pan Head Screw	<b>AM-50BAK-DS</b> <b>AM-50BAK-ADDS</b>	<a href="#">7C12-0425</a>	4							
8	Truss Head Screw	<b>AM-50BAK-DS</b> <b>AM-50BAK-ADDS</b>	<a href="#">7C32-0408</a>	4							
9	T2 Screw	<b>AM-50BAK-DS</b> <b>AM-50BAK-ADDS</b>	<a href="#">7P32-0408</a>	3							