



HOSHIZAKI

Parts List

Self-Contained Cuber

Models

AM-50BAK

AM-50BAK-DS

AM-50BAK-AD

AM-50BAK-ADDS



hoshizakiamerica.com

Number: 71446
Issued: 1-27-2025
Revised: 9-10-2025

CONTENTS

Auxiliary Codes.....	3
Note About Ordering Parts	3
A. Main Assembly	4
B. Refrigeration Circuit.....	6
C. Water Circuit & Ice Making Unit.....	8
D. Control Box Assembly.....	10
E. Door Assembly	11
AM-50BAK, AM-50BAK-AD.....	11
AM-50BAK-DS, AM-50BAK-ADDS.....	12
F. Accessories & Labels.....	13

Auxiliary Codes

AM-50BAK

P-0 January 2024

P-1 August 2024

Q-0 March 2025

AM-50BAK-DS

Q-0 March 2025

AM-50BAK-AD

Q-0 March 2025

AM-50BAK-ADDS

Q-0 March 2025

Auxiliary Code Breakdown

The auxiliary code is the first two characters in the serial number. The first character indicates the year. Years progress or regress in alphabetical order. The series runs from "A" through "V" and the letters "I" and "O" are skipped. The second character indicates significant part changes within a year. Base is "0" and this number advances for each change. In cases where there is a letter in parentheses, this designates the month. This is the last character in the serial number. The series runs from "(A)" through "(M)" and the letter "(I)" is skipped. This designation is only included when identifying a parts change within an auxiliary code.

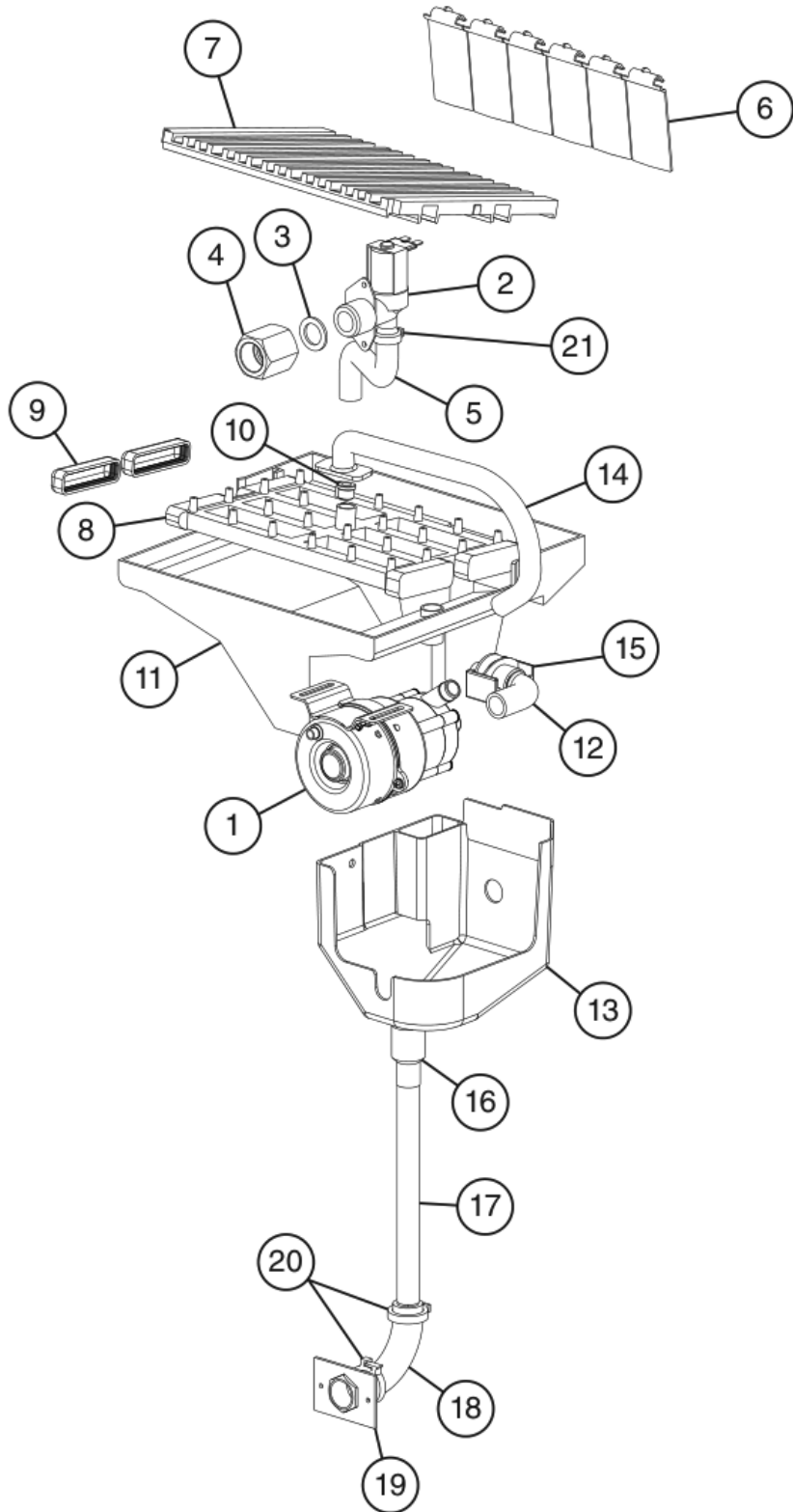
Note About Ordering Parts

Most assemblies cannot be ordered as complete units; parts in the assemblies generally must be ordered separately.

Title: A. Main Assembly Model: AM-50BAK, AM-50BAK-DS, AM-50BAK-AD, AM-50BAK-ADDS											
Index No.	Description	Material or Model Number	Part Number	P-0 to Q-0	Required Number						
1	Front Panel	AM-50BAK AM-50BAK-DS	2A8926-01	1							
		AM-50BAK-AD AM-50BAK-ADDS	2A8926-02	1							
1a	Screw		7P32-0410	1							
2	Louver		2H5560-01	1							
3	Top Panel Assembly		2B0910G01	1							
4	Thermistor Holder		2B0632-01	1							
4a	Thumbscrew		415949G10	2							
5	Bin Control Thermistor		2B0601-01	1							
6	Slope		3X6383-01	1							
7	Scoop Holder		4Y0213-01	1							
7a	Thumbscrew		415949G10	2							
8	Leg		4A2966-01	4							
9	Power Supply Cord		4A5718-01	1							
10	Hinge A	AM-50BAK AM-50BAK-AD	4Y0194G01	1							
	Hinge A (R)	AM-50BAK-DS AM-50BAK-ADDS	4A4885G01	1							
11	Hinge A Bracket		3B1873-01	1							
11a	Screw		7C32-0410	1							
12	Top Brace		4Y0193-01	1							
12a	Screw		7C32-0410	1							
13	Hinge B	AM-50BAK AM-50BAK-AD	4Y0192-01	1							
		AM-50BAK-DS AM-50BAK-ADDS	4A7471-01	1							
13a	Flat Head Screw	4x12, SS	7C22-0412	2							
14	Hinge Stop Pin		4A2180-01	1							
15	Tooth Washer		7R22-0600	1							
16	Rear Louver Panel	AM-50BAK AM-50BAK-DS	2B0706-01	1							
		AM-50BAK-AD AM-50BAK-ADDS	2B0714-01	1							
17	Pipe Cover		3B1915-01	1							
18	Control Box Cover		3B1846-01	1							

Title: B. Refrigeration Circuit Model: AM-50BAK, AM-50BAK-DS, AM-50BAK-AD, AM-50BAK-ADDS													
Index No.	Description	Material or Model Number	Part Number	P-0 to Q-0	Required Number								
1	Compressor		4A7346-01	1									
2	PTC Start Relay		4A7349-01	1									
3	External Protector		4A7438-01	1									
4	Condenser		2H5586-01	1									
5	Fan Motor Assembly		1A8025A01	1									
6	Valve Body		4A3275-01	1									
7	Valve Coil		4A3277-01	1									
8	Evaporator		2X3515G01	1									
9	Thermistor - Evaporator		425373-05	1									
10	Thermistor Holder		3H9642-01	1									
11	Strainer		441569-03	1									
12	Drier		445655-04	1									
13	Heat Exchanger Assembly (includes item 12)		3B1631G01	1									
14	Accumulator		460537-02	1									

C. Water Circuit & Ice Making Unit
AM-50BAK, AM-50BAK-DS, AM-50BAK-AD, AM-50BAK-ADDS
P-0 to Q-0

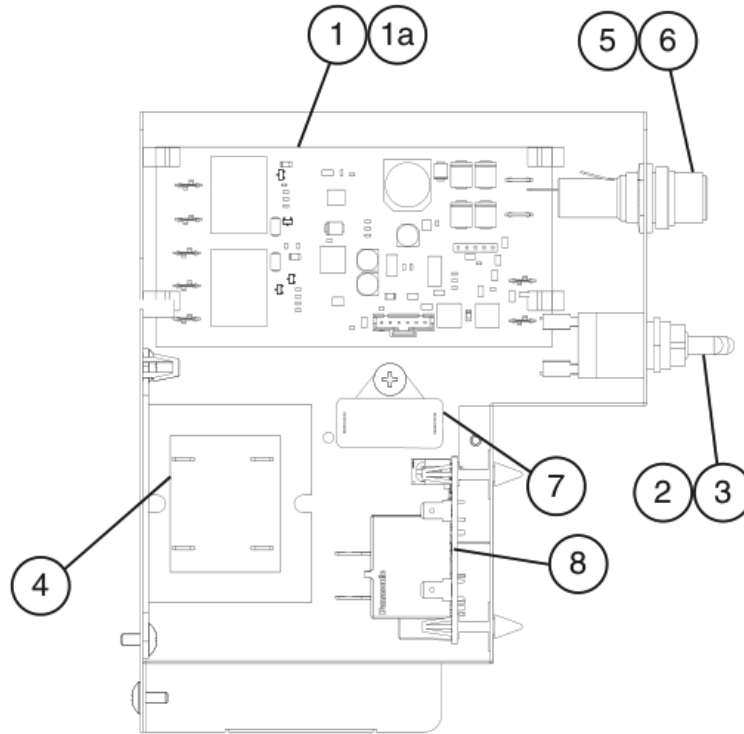


Title: C. Water Circuit & Ice Making Unit Model: AM-50BAK, AM-50BAK-DS, AM-50BAK-AD, AM-50BAK-ADDS											
Index No.	Description	Material or Model Number	Part Number	P-0 to Q-0	Required Number						
1	Pump Motor		3B1175-01	1							
2	Inlet Water Valve		4A6722-01	1							
3	Rubber Gasket		413854-03	1							
4	Fitting C		4A3240-01	1							
5	Water Valve Tube		4A6872-01	1							
6	Separator		3A9811-01	6							
7	Ice Chute		3X3863-01	1							
8	Nozzle		2H4536-01	1							
9	Cap		4X7936-01	2							
10	Reducing Pipe		4A2903-01	1							
11	Water Tank		2H4535-01	1							
12	Suction Tube		4X7937-01	1							
13	Joint		4X7934-01	1							
14	Discharge Tube		3X3864-01	1							
15	Drain Pan		2H4534-01	1							
16	Drain Tube		4H2585-01	1							
17	Drain Pipe		4Y0211-01	1							
18	Elbow Hose		4A1165-08	1							
19	Drain Fitting		4A3488G01	1							
Hose Clamps											
20	Hose Clamp	22-25 mm	4A2017-09	2							
21	Hose Clamp	13-15 mm	4A2017-08	1							

D. Control Box Assembly

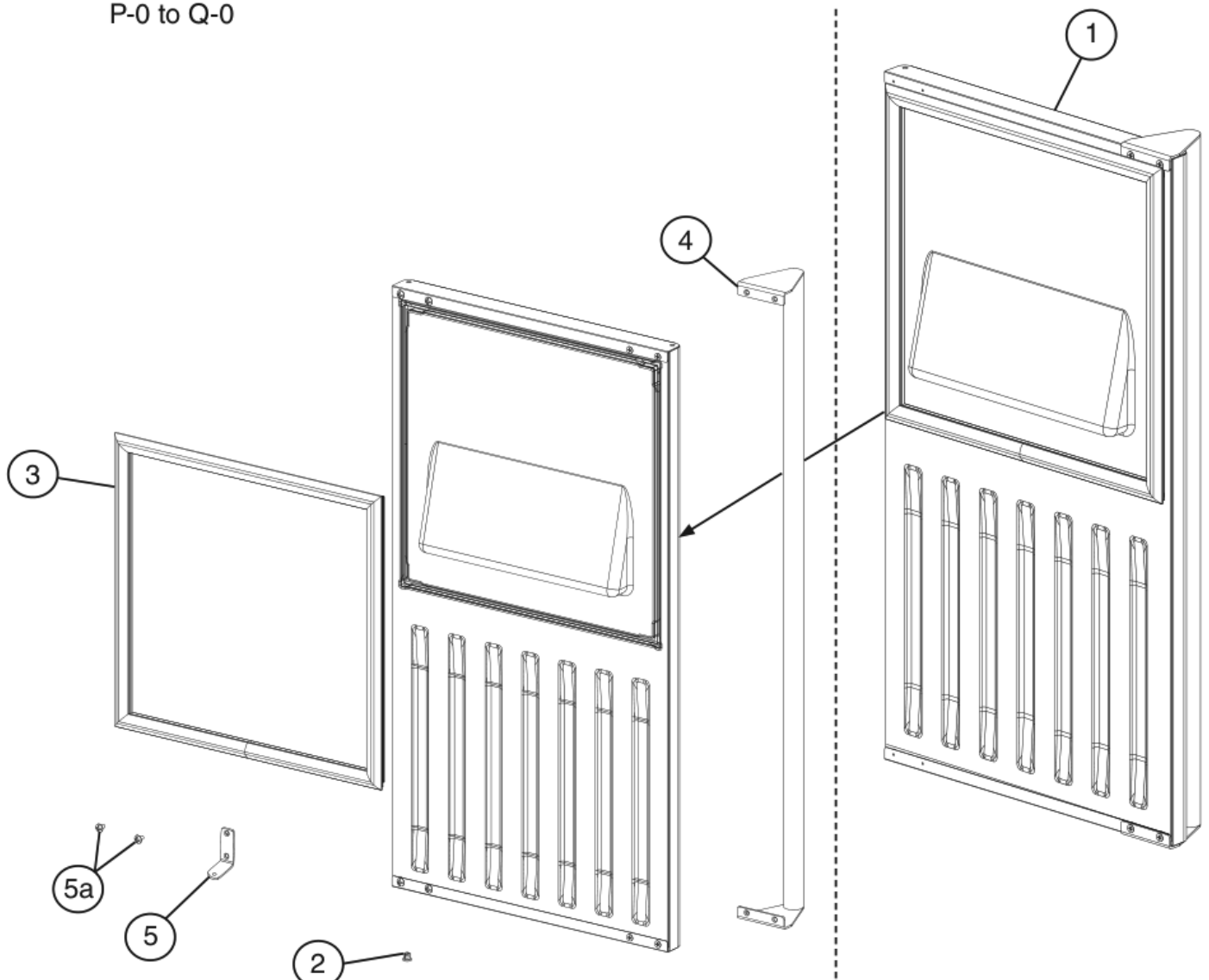
AM-50BAK, AM-50BAK-DS, AM-50BAK-AD, AM-50BAK-ADDS

P-0 to Q-0



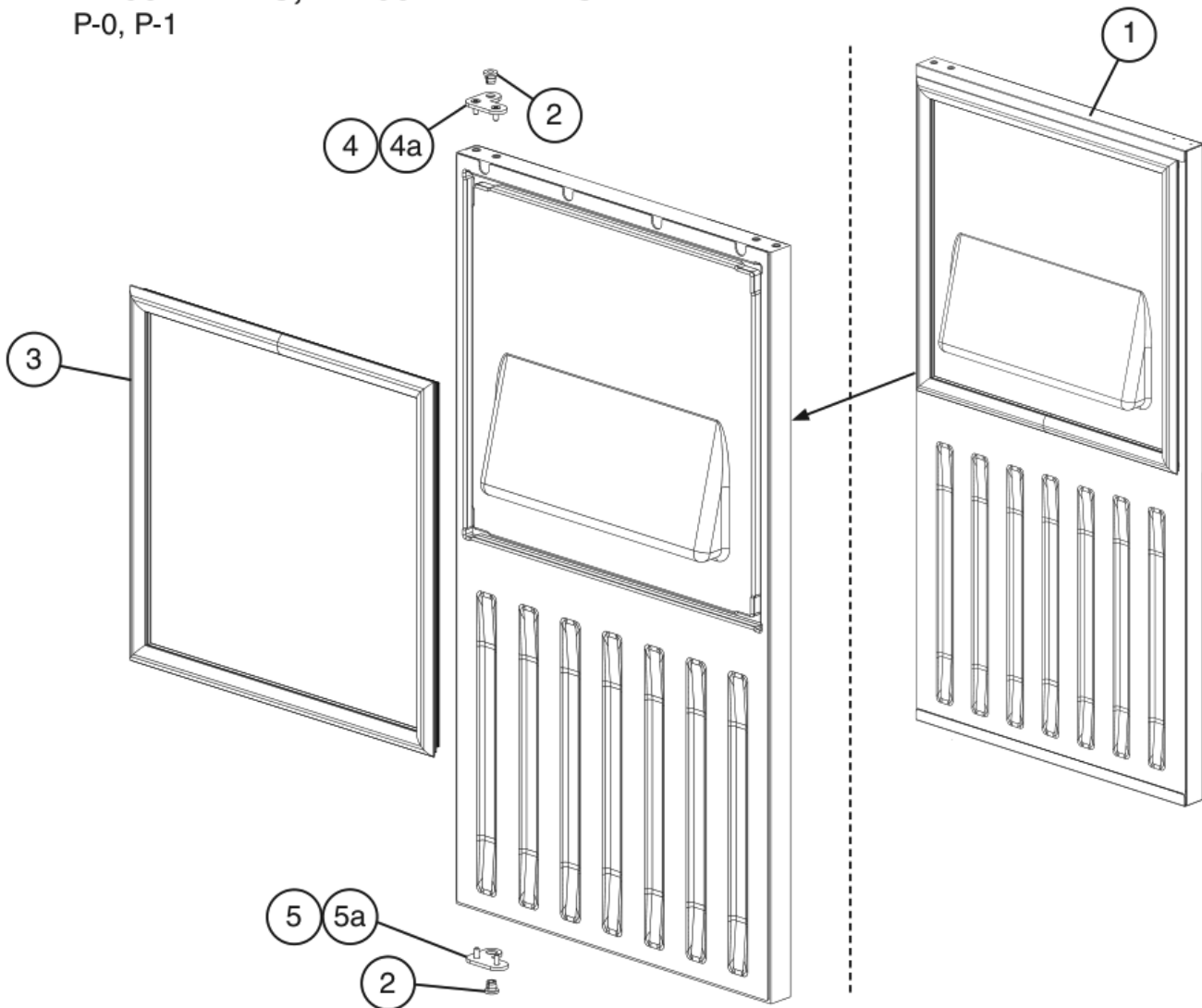
Title: D. Control Box Assembly Model: AM-50BAK, AM-50BAK-DS, AM-50BAK-AD, AM-50BAK-ADDS													
Index No.	Description	Material or Model Number	Part Number	Required Number									
				P-0 to Q-0									
1	Control Board		4A5520-01	1									
1a	Control Board Support		4A0336-03	4									
2	Control Switch		4A7449-01	1									
3	Cap		4A1937-01	1									
4	Control Transformer		4A0557-01	1									
5	Fuse Holder		4A5443-01	1									
6	Fuse	0.375 A	4A0893-12	1									
7	Pump Capacitor	1 MFD	4A2128-10	1									
8	Thermistor Control Board		2B0595-02	1									
9	Wire Harness Inside (A) (not shown)		4A7741-02	1									
10	Wire Harness Outside (B) (not shown)		4A7741-01	1									
11	Plug Housing (not shown)		412832-06	1									
			412832-07	1									

E. Door Assembly
AM-50BAK, AM-50BAK-AD
P-0 to Q-0



Title: E. Door Assembly Model: AM-50BAK, AM-50BAK-AD															
Index No.	Description	Material or Model Number	Part Number	Required Number											
				P-0 to Q-0											
1	Door Assembly	AM-50BAK	2B0329G01	1											
		AM-50BAK-AD	2B0329G02	1											
2	Bushing		4A6410-01	1											
3	Gasket Magnetic		2A9907-01	1											
4	Handle	AM-50BAK	4A6129-01	1											
		AM-50BAK-AD	4A6129-02	1											
5	Hinge (B)		4Y0192-01	1											
5a	Truss Head Screw		7C32-0408	2											

E. Door Assembly
AM-50BAK-DS, AM-50BAK-ADDS
P-0, P-1

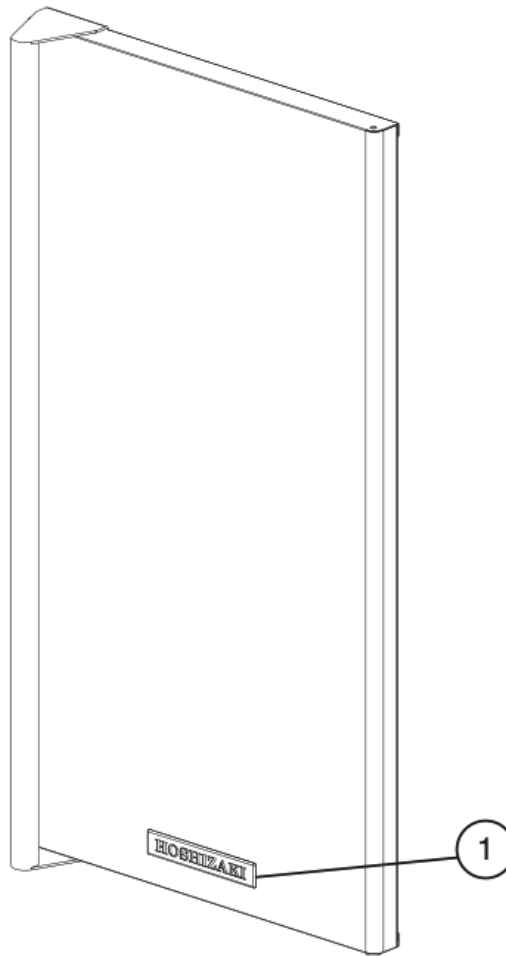


Title: F. Door Assembly Model: AM-50BAK-DS, AM-50BAK-ADDS					Required Number					
Index No.	Description	Material or Model Number	Part Number	P-0						
				P-1						
1	Door Assembly	AM-50BAK-DS	2B0330G01	1						
		AM-50BAK-ADDS	2B0330G02	1						
2	Bushing		4A6410-01	2						
3	Gasket Magnetic		2A9907-01	1						
4	Hinge C Assembly (UR, LL) (includes one of item 2)		4A3983G01	1						
4a	Flat Head Screw	4x12, SS	7C22-0412	2						
5	Hinge C Assembly (LR, UL) (includes one of item 2)		4A3983G02	1						
5a	Flat Head Screw	4x12, SS	7C22-0412	2						

F. Accessories & Labels

AM-50BAK, AM-50BAK-DS, AM-50BAK-AD, AM-50BAK-ADDS

P-0, P-1



Title: F. Accessories & Labels Model: AM-50BAK, AM-50BAK-DS, AM-50BAK-AD, AM-50BAK-ADDS											
Index No.	Description	Material or Model Number	Part Number	Required Number							
				P-0	P-1						
1	Hoshizaki Emblem	AM-50BAK AM-50BAK-AD	4A0560-01	1							
2	Scoop		204336-01	1							
3	Control Label		463253-01	1							
4	Canoe Clip		4A5835-01	2							
5	Wood Panel Bracket	AM-50BAK-DS AM-50BAK-ADDS	4A3998-01	1							
6	Threaded Wood Insert	AM-50BAK-DS AM-50BAK-ADDS	4A4004-01	6							
7	Pan Head Screw	AM-50BAK-DS AM-50BAK-ADDS	7C12-0425	4							
8	Truss Head Screw	AM-50BAK-DS AM-50BAK-ADDS	7C32-0408	4							
9	T2 Screw	AM-50BAK-DS AM-50BAK-ADDS	7P32-0408	3							