



HOSHIZAKI

Parts Manual

Back Bar Equipment

Models

BB 59

BB 69

BB 80

BB 95

BB G 59

BB G 69

BB G 80

BB G 95

BB 59 S

BB 69 S

BB 80 S

BB 95 S

BB G 59 S

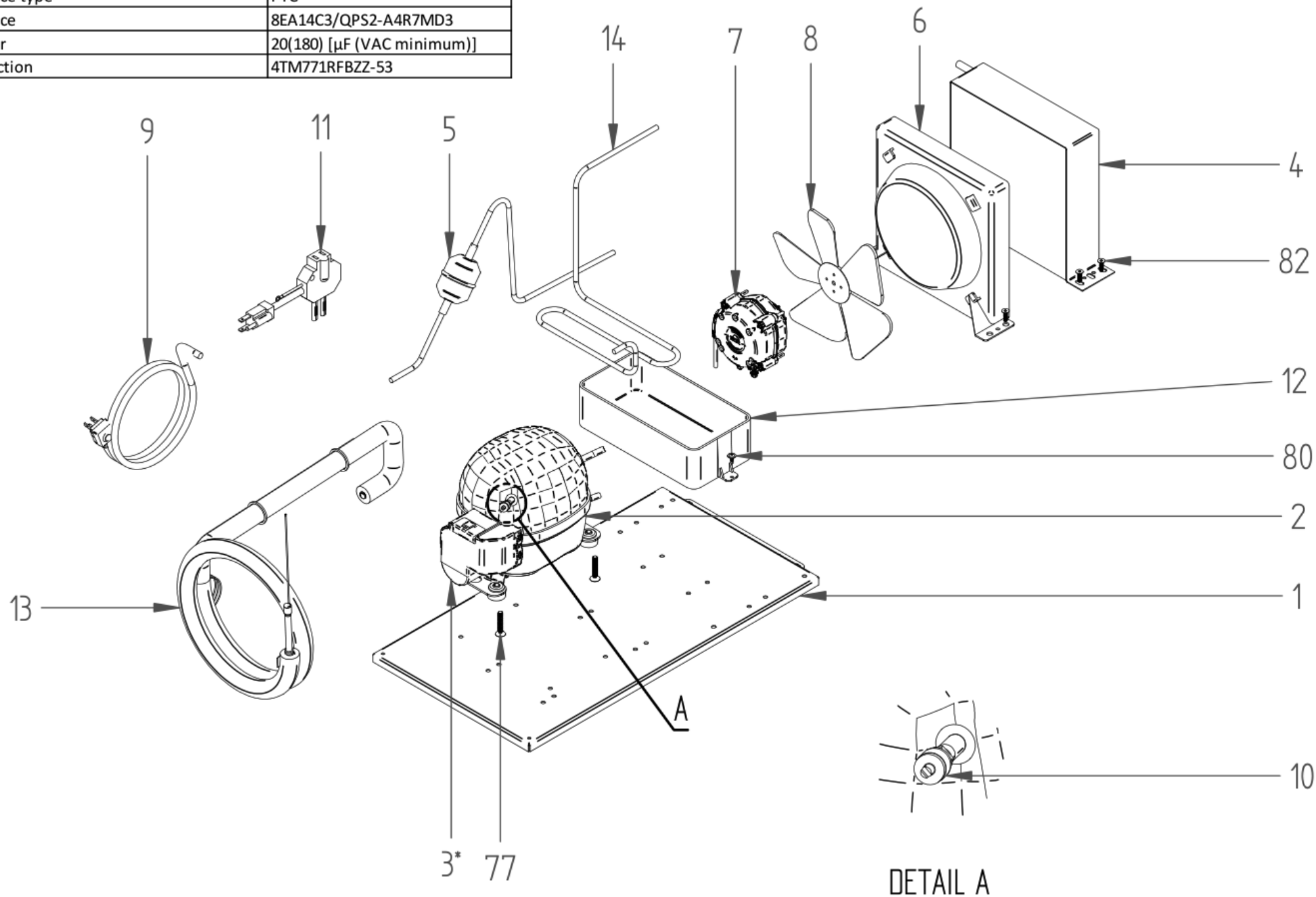
BB G 69 S

BB G 80 S

BB G 95 S

3* STAR KIT

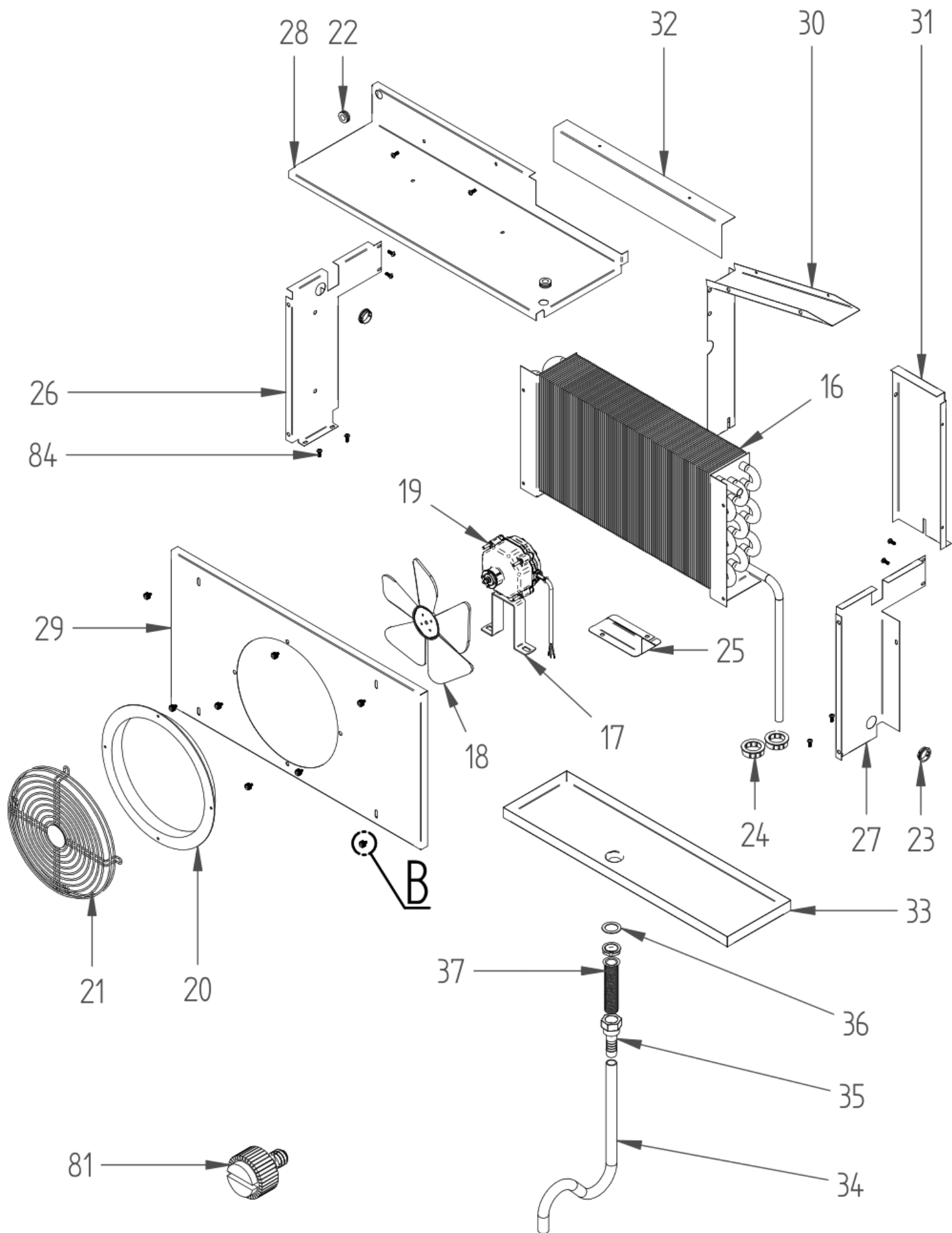
Compressor used in BB 59-95 G	EMC3130U (Part No. 12228006)
Nominal Voltage/Frequency/Number of Phases	115-127V 60Hz 1~ (Single phase)
Starting device type	PTC
Starting device	8EA14C3/QPS2-A4R7MD3
Run capacitor	20(180) [μ F (VAC minimum)]
Motor protection	4TM771RFBZZ-53



ZONA/ZONE	CONDENSING UNIT	LAMINA/DRAWING	2	BB 59_95 HC
-----------	-----------------	----------------	---	-------------

ITEM	REFERENCIA REFERENCE	DENOMINATION	CONDENSING UNIT												RECOMENDED	ELIMINADO ELIMINATED	INTRODUCIDO INTRODUCED	NOTAS / NOTES
			BB59	BB 69	BB 80	BB 95	G				S							

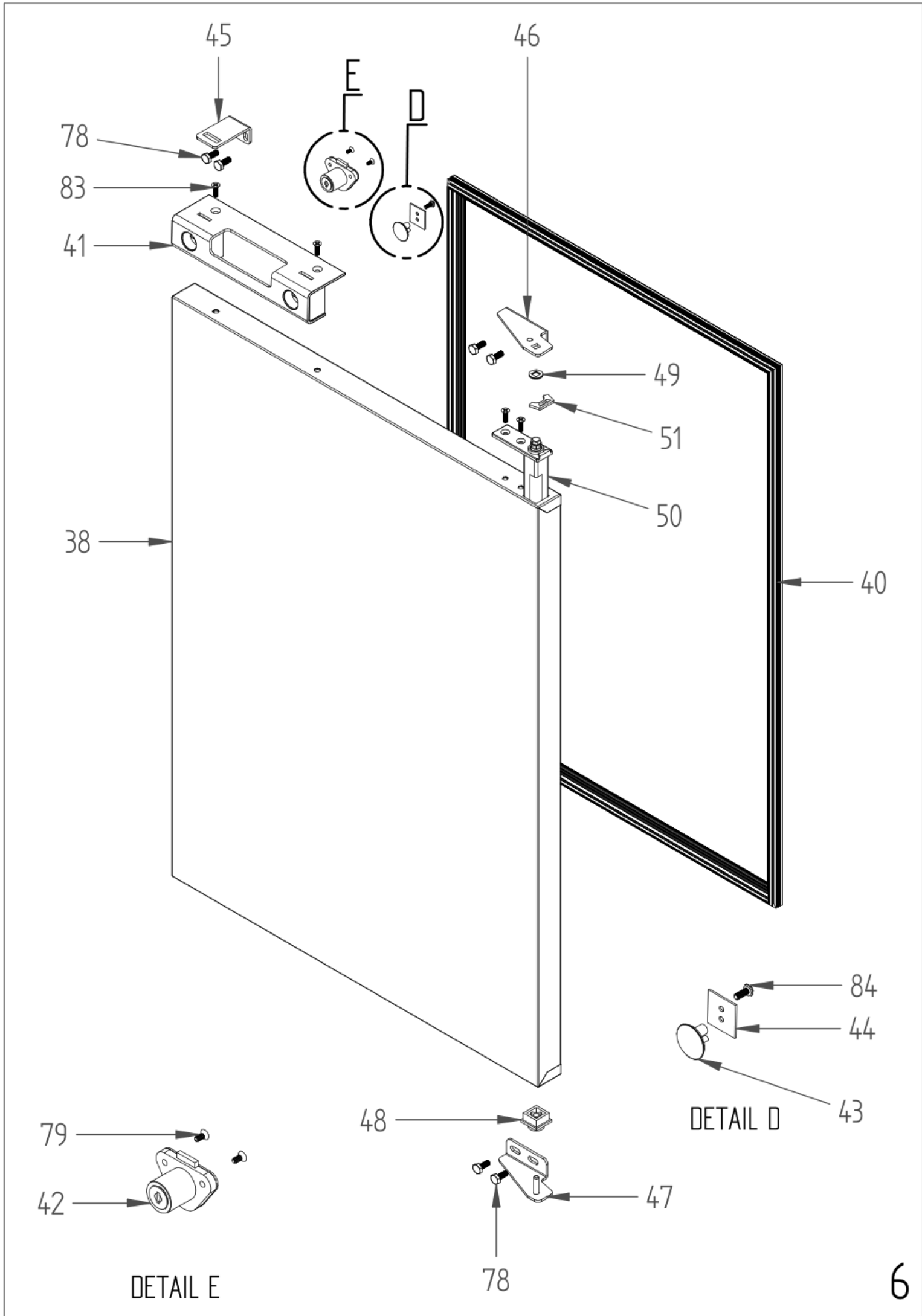
CONDENSING UNIT																		
1	12195862	DECK	1	1	1	1	1	1	1	1	1	1	1	1	1	1	1	
	12257407	COMPRESSOR 115V	1	1	1	1	1	1	1	1	1	1	1	1	1	1	1	
2	12256474	COMPRESSOR 115V																X
	12228006	COMPRESSOR 115V																
3	*	START KIT	-	-	-	-	-	-	-	-	-	-	-	-	-	-	-	
4	12190812	CONDENSER	1	1	1	1	1	1	1	1	1	1	1	1	1	1	1	
5	12188004	FILTER	1	1	1	1	1	1	1	1	1	1	1	1	1	1	1	
6	12189983	FAN SUPPORT	1	1	1	1	1	1	1	1	1	1	1	1	1	1	1	
7	12190510	ELECTRONIC MOTOR	1	1	1	1	1	1	1	1	1	1	1	1	1	1	1	X
8	12190018	FAN BLADE	1	1	1	1	1	1	1	1	1	1	1	1	1	1	1	
9	12190608	POWER CORD	1	1	1	1	1	1	1	1	1	1	1	1	1	1	1	
10	12037369	SCHRADER VALVE	1	1	1	1	1	1	1	1	1	1	1	1	1	1	1	
11	12190610	POWER CORD(SPIDER HUB)	1	1	1	1	1	1	1	1	1	1	1	1	1	1	1	
12	12189560	EVAPORATION TRAY	1	1	1	1	1	1	1	1	1	1	1	1	1	1	1	
13	12239998	EXCHANGE	1	1	1	1	1	1	1	1	1	1	1	1	1	1	1	
14	12200322	DISCHARGE LINE	1	1	1	1	1	1	1	1	1	1	1	1	1	1	1	
15	11002866	CAP TUBE	1.4	1.4	1.4	1.4	1.4	1.4	1.4	1.4	1.4	1.4	1.4	1.4	1.4	1.4	1.4	

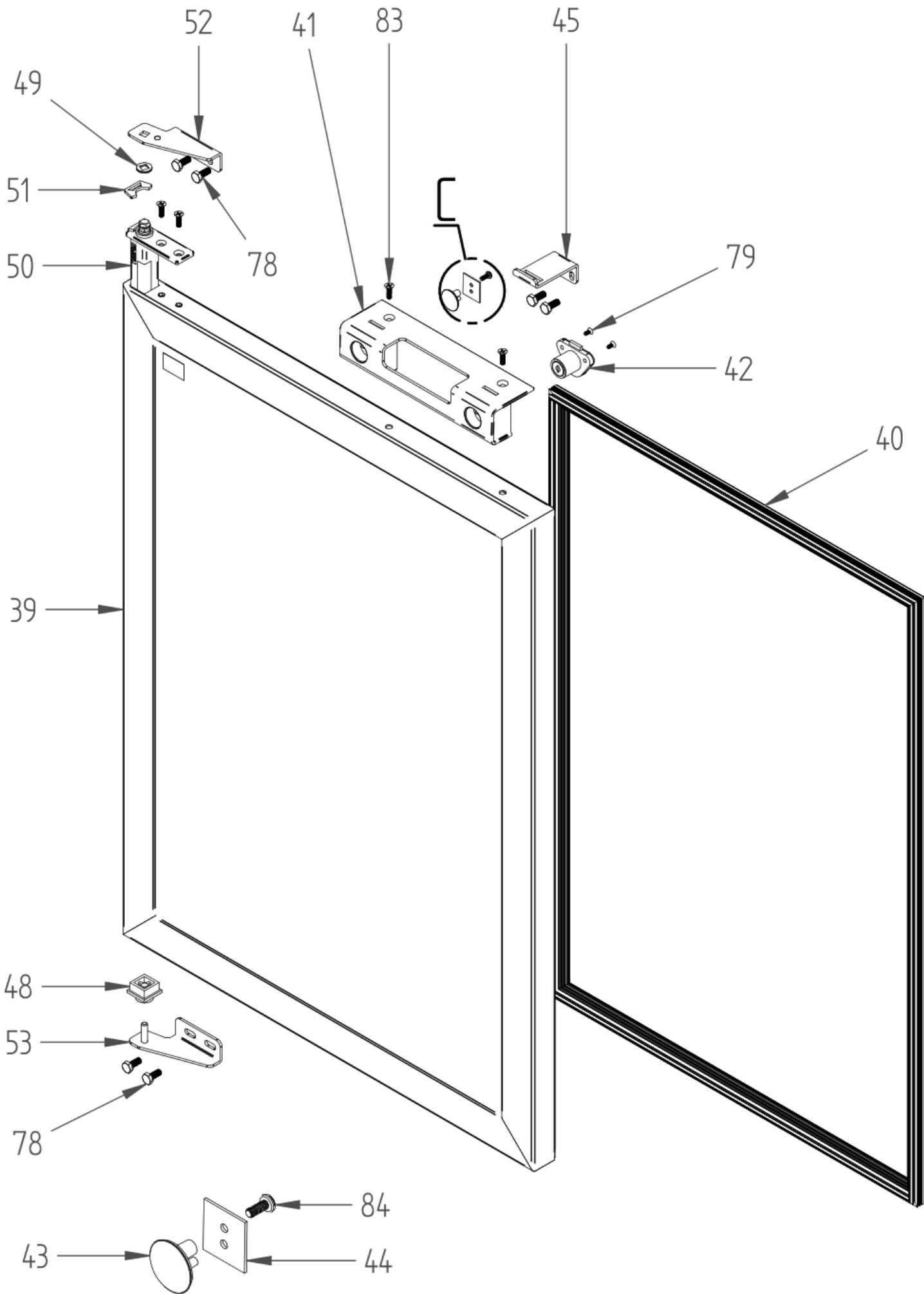


ITEM	REFERENCIA REFERENCE	DENOMINATION	EVAPORATION UNITS												RECOMENDED	ELIMINADO ELIMINATED	INTRODUCIDO INTRODUCED	NOTAS / NOTES
			BB59	BB 69	BB 80	BB 95	G				S		GS					

EVAPORATION UNITS																		
EVAPORATION UNIT																		
16	12190777	EVAPORATOR COIL	1	1	1	1	1	1	1	1	1	1	1	1	1	1	1	
17	12191294	FAN SUPPORT	1	1	1	1	1	1	1	1	1	1	1	1	1	1	1	
18	12190018	FAN BLADE	1	1	1	1	1	1	1	1	1	1	1	1	1	1	1	
19	12190510	FAN MOTOR	1	1	1	1	1	1	1	1	1	1	1	1	1	1	1	X
20	12190068	GRID SHROUD	1	1	1	1	1	1	1	1	1	1	1	1	1	1	1	
21	12190728	FAN GRILL	1	1	1	1	1	1	1	1	1	1	1	1	1	1	1	
22	12189570	GROMMET	2	2	2	2	2	2	2	2	2	2	2	2	2	2	2	
23	12189966	BUSHING	2	2	2	2	2	2	2	2	2	2	2	2	2	2	2	
24	12189957	BUSHING ø1-3/8"	2	2	2	2	2	2	2	2	2	2	2	2	2	2	2	
25	12188080	PROBENTC030HP00 CAREL	1	1	1	1	1	1	1	1	1	1	1	1	1	1	1	X
SHEET METAL PARTS																		
26	12206309	DEFLECTOR LEFT	1	1	1	1	1	1	1	1	1	1	1	1	1	1	1	
27	12206308	DEFLECTOR RIGHT SIDE	1	1	1	1	1	1	1	1	1	1	1	1	1	1	1	
28	12206311	TOP COVER	1	1	1	1	1	1	1	1	1	1	1	1	1	1	1	
29	12206313	EVAPORATOR SHROUD	1	1	1	1	1	1	1	1	1	1	1	1	1	1	1	
30	12206307	ANGULAR DEFLECTOR	1	1	1	1	1	1	1	1	1	1	1	1	1	1	1	
31	12206310	CLOUSURE	1	1	1	1	1	1	1	1	1	1	1	1	1	1	1	
32	12206312	AIR LIMITER	1	1	1	1	1	1	1	1	1	1	1	1	1	1	1	
33	12206209	EVAPORATOR TRAY	1	1	1	1	1	1	1	1	1	1	1	1	1	1	1	

DRAIN																		
34	12190467	DRAIN HOSE	1	1	1	1	1	1	1	1	1	1	1	1	1	1	1	
35	12190069	ADAPTER HOSE COUPLING	1	1	1	1	1	1	1	1	1	1	1	1	1	1	1	
36	12189956	RUBBER JOINT	1	1	1	1	1	1	1	1	1	1	1	1	1	1	1	
37	12037642	DRAIN 1/2"	1	1	1	1	1	1	1	1	1	1	1	1	1	1	1	

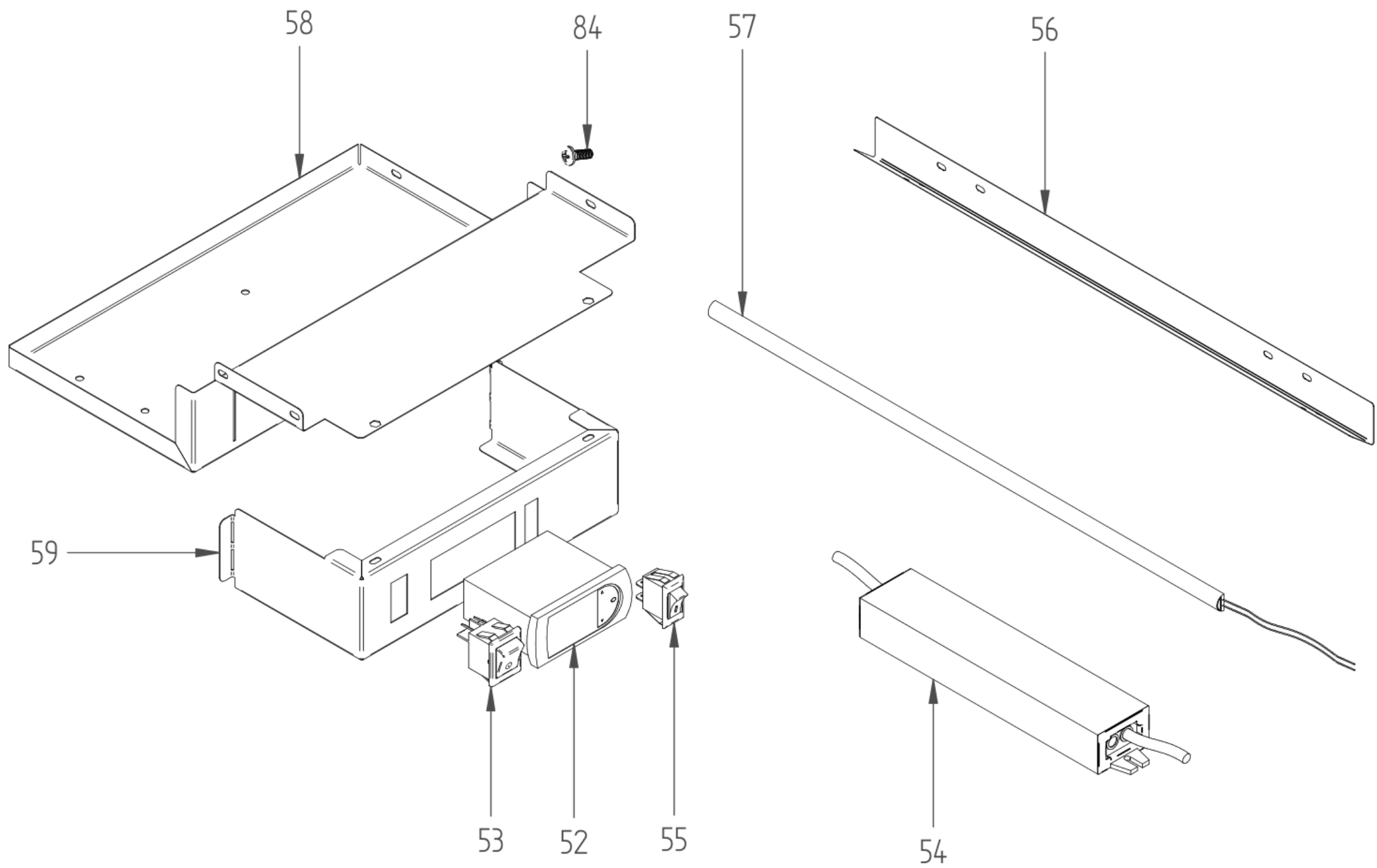




DETAIL C

ITEM	REFERENCIA REFERENCE	DENOMINATION					G				S				GS				RECOMENDED	ELIMINADO ELIMINATED	INTRODUCIDO INTRODUCED	NOTAS / NOTES
			BB59	BB 69	BB 80	BB 95	BB G 59	BB G 69	BB G 80	BB G 95	BB 59 S	BB 69 S	BB 80 S	BB 95 S	BB G 59 S	BB G 69 S	BB G 80 S	BB G 95 S				

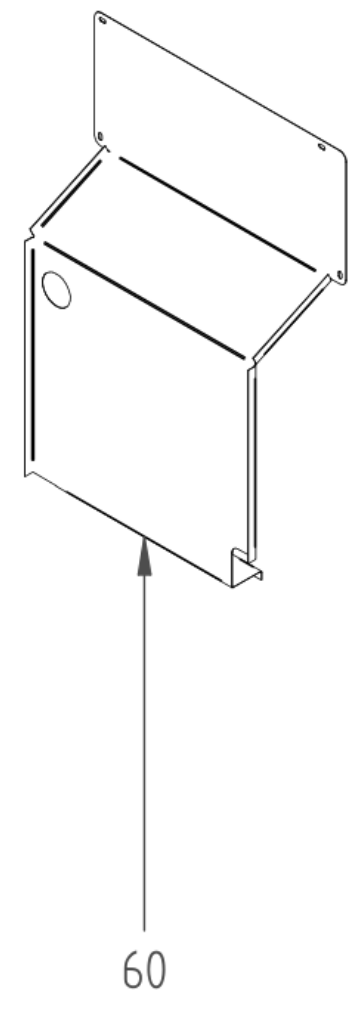
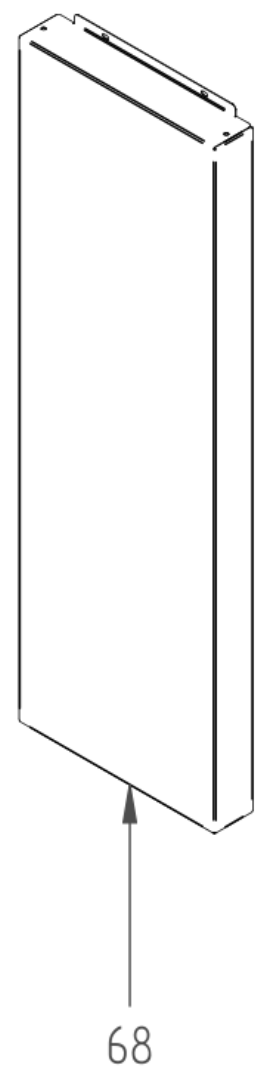
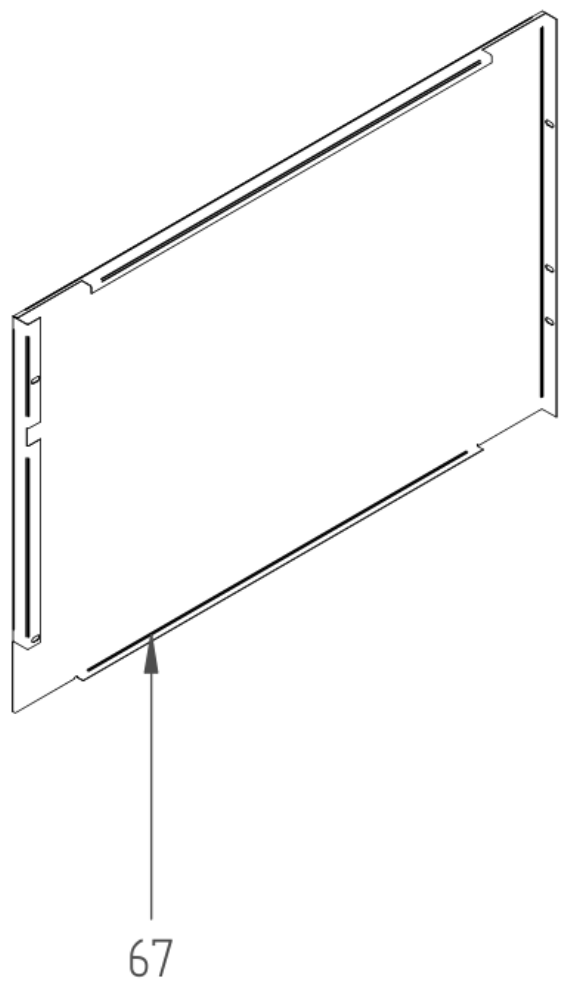
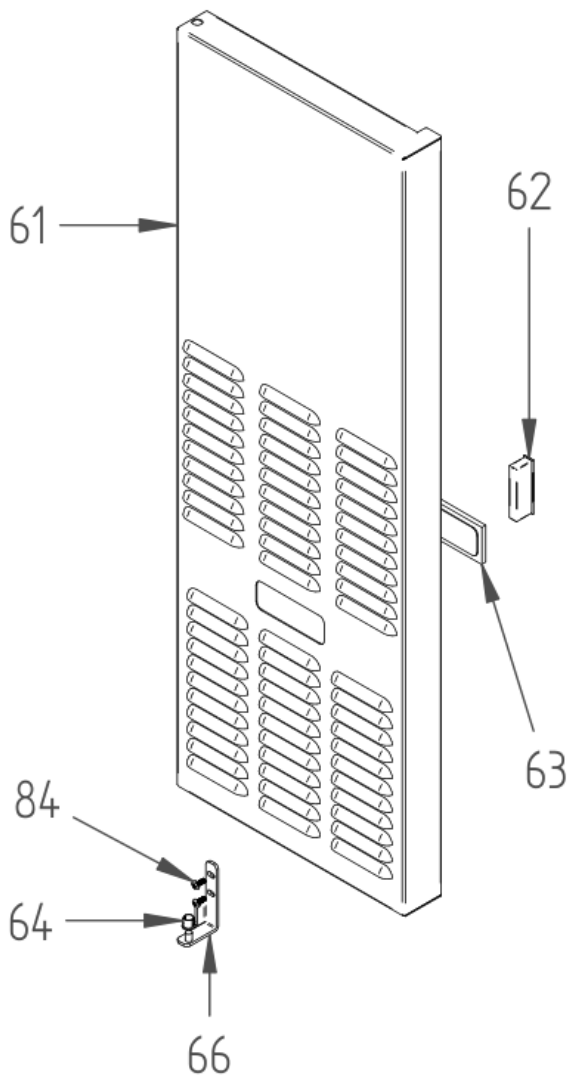
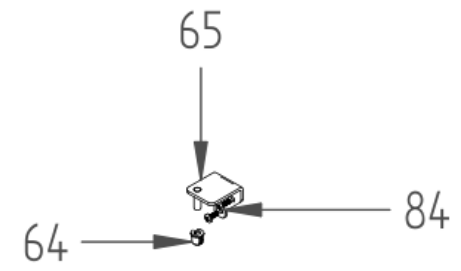
DOORS & OTHERS																					
38	12201946	DOOR KIT	2	2	2	3															
	12210337	DOOR KIT 80			1																
	12217136	GLASS DOOR KIT RH					1	1	2	2											
39	12217137	GLASS DOOR KIT LH					1	1	1												
	12203181	GLASS DOOR KIT 80							1												
	12232946	SS DOOR LH									2	2	2	3							
38	12210339	SS DOOR KIT 80											1								
	12203179	SS GLASS DOOR KIT RH												1	1	2	2				
39	12203180	SS GLASS DOOR KIT LH												1	1		1				
	12203182	SS GLASS DOOR KIT 80														1					
	12191258	GASKET	2	2	2	3	2	1	2	2	2	2	3	1	1	2	2			X	
40	12191259	GASKET 78			1				1				1			1				X	
		HANDLE KIT LEFT/RIGHT																			
41	12211931	RIGHT HANDLE	2	2	3	3	2	2	3	3	2	2	2	3	2	2	3	3			
42	12190887	LOCK	2	2	3	3	2	2	3	3	2	2	2	3	2	2	3	3			
43	12211932	PLATE	2	2	3	3	2	2	3	3	2	2	2	3	2	2	3	3			
44	12195809	SUPPORT PLATE	2	2	3	3	2	2	3	3	2	2	2	3	2	2	3	3			
45	12195087	LOCK STOP	2	2	3	3	2	2	3	3	2	2	2	3	2	2	3	3			
		HINGE KIT RH																		X	
46	12191308	TOP HINGE	1	1	2	2	1	1	2	2	1	1	2	2	1	1	2	2			
47	12191306	BOTTOM HINGE	1	1	2	2	1	1	2	2	1	1	2	2	1	1	2	2			
48	12190016	SPACER	1	1	2	2	1	1	2	2	1	1	2	2	1	1	2	2			
49	12195539	WASHER	2	2	4	4	2	2	4	4	2	2	4	4	2	2	4	4			
50	12195118	HINGE CARTRIDGE	1	1	2	2	1	1	2	2	1	1	2	2	1	1	2	2			
51	12195119	STOP HINGE	1	1	2	2	1	1	2	2	1	1	2	2	1	1	2	2			
		HINGE KIT LH																		X	
52	12191309	LEFT TOP HINGE	1	1	1	1	1	1	1	1	1	1	1	1	1	1	1	1			
53	12191307	LEFT BOTTOM HINGE	1	1	1	1	1	1	1	1	1	1	1	1	1	1	1	1			
48	12190016	SPACER	1	1	2	2	1	1	2	2	1	1	2	2	1	1	2	2			
49	12195539	WASHER	2	2	4	4	2	2	4	4	2	2	4	4	2	2	4	4			
50	12195118	HINGE CARTRIDGE	1	1	2	2	1	1	2	2	1	1	2	2	1	1	2	2			
51	12195119	STOP HINGE	1	1	2	2	1	1	2	2	1	1	2	2	1	1	2	2			



ZONA/ZONE	CONTROLLER & OTHER	LAMINA/DRAWING	9	BB 59_95 HC
-----------	--------------------	----------------	---	-------------

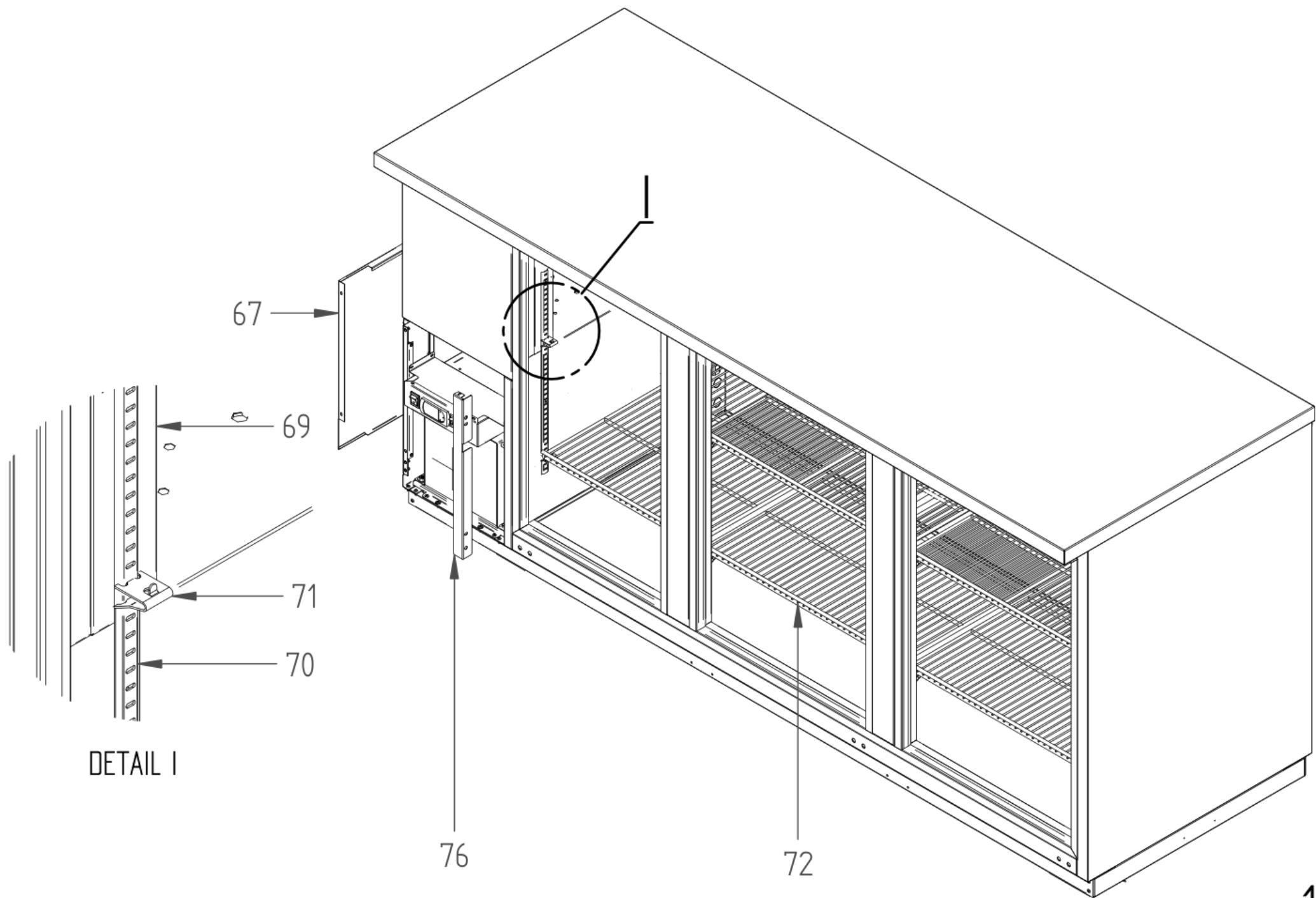
ITEM	REFERENCIA REFERENCE	DENOMINATION	LAMINA/DRAWING												RECOMENDED	ELIMINADO ELIMINATED	INTRODUCIDO INTRODUCED	NOTAS / NOTES
			BB59	BB 69	BB 80	BB 95	G				S		GS					

CONTROLLER & OTHER																					
52	12188079	CAREL CONTROLLER	1	1	1	1	1	1	1	1	1	1	1	1	1	1	1	X			
53	12190513	ROCKER SWITCH 20AMP	1	1	1	1	1	1	1	1	1	1	1	1	1	1	1				
54	12190580	DRIVER LED	1	1	1	1	1	1	1	1	1	1	1	1	1	1	1				
55	12037353	LIGHT SWITCH	1	1	1	1	1	1	1	1	1	1	1	1	1	1	1				
56	12194279	LAMP SUPPORT	1	1			1	1			1	1			1	1					
	12194278	LAMP SUPPORT			1	1			1	1			1	1			1	1	X		
57	12190586	LED LIGHT	1	1			1	1			1	1			1	1		X			
	12190587	LED LIGHT			1	1			1	1			1	1			1	1			
58	12206592	CONTROLLER DEFLECTOR	1	1	1	1	1	1	1												
	12226884	CONTROLLER DEFLECTOR SS								1	1	1	1	1	1	1	1				
59	12206593	CONTROLLER SUPPORT	1	1	1	1	1	1	1												
	12226887	CONTROLLER SUPPORT SS								1	1	1	1	1	1	1	1				



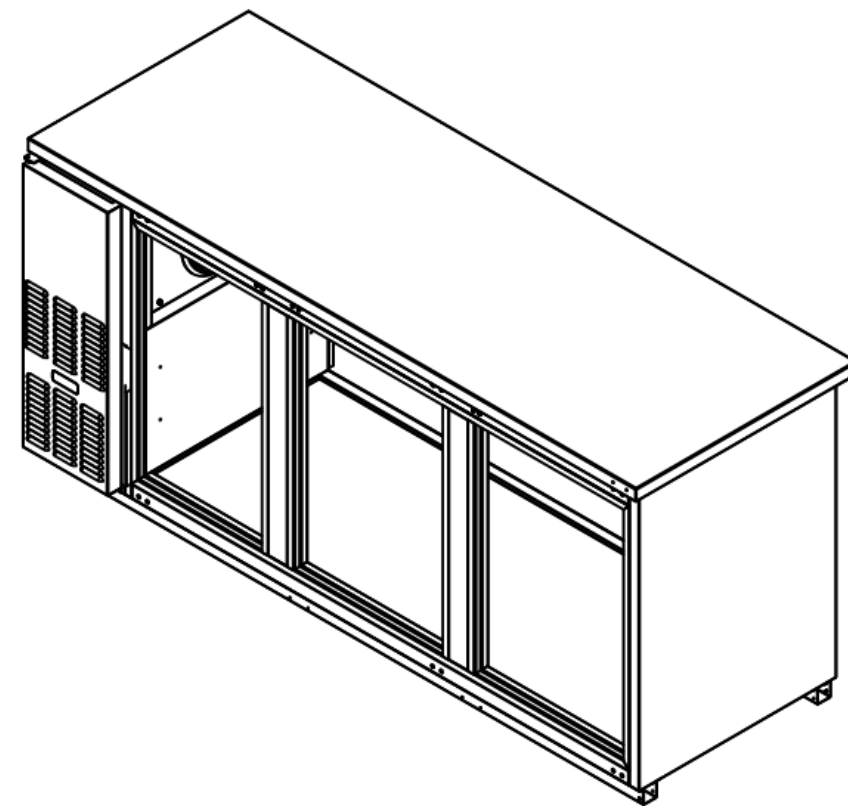
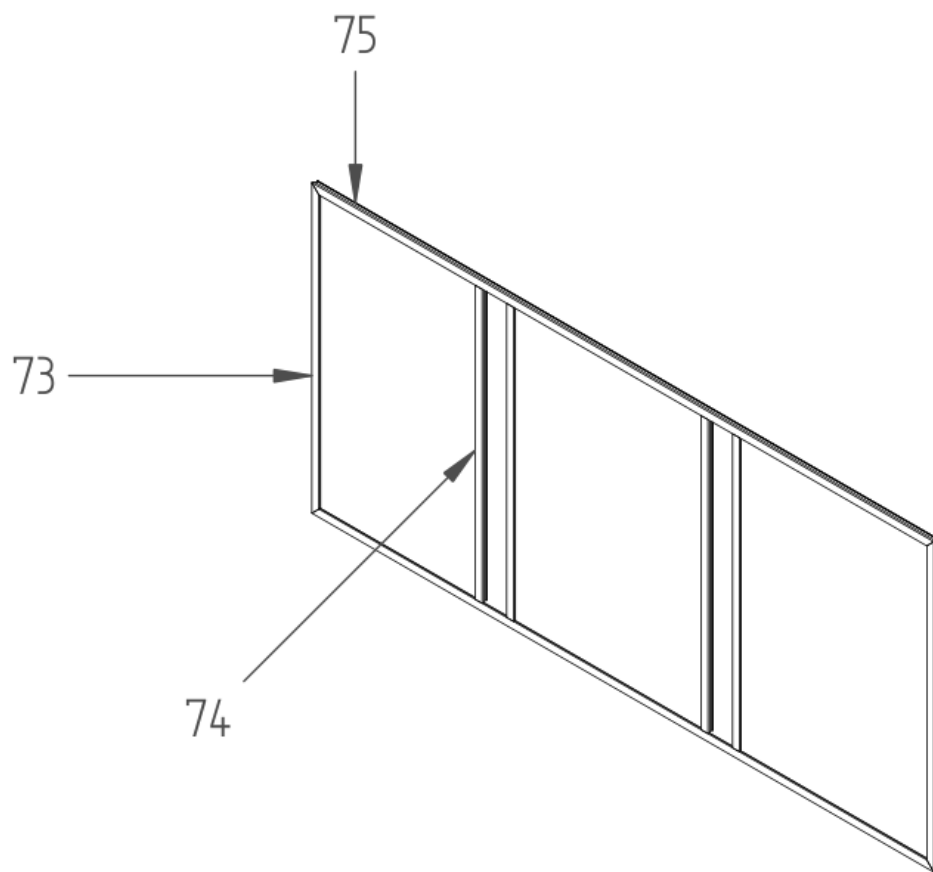
ZONA/ZONE	PANELS	LAMINA/DRAWING	11	BB 59_95 HC
-----------	--------	----------------	----	-------------

ITEM	REFERENCIA REFERENCE	DENOMINATION	PANELS												RECOMENDED	ELIMINADO ELIMINATED	INTRODUCIDO INTRODUCED	NOTAS / NOTES
			BB59	BB 69	BB 80	BB 95	G		S		GS							
PANELS																		
60	12195836	BACK PANEL	1	1	1	1	1	1	1	1								
	12227157	BACK PANEL SS								1	1	1	1	1	1	1	1	
61	12222097	FRONT PANEL	1	1	1	1	1	1	1									
	12222036	FRONT PANEL SS								1	1	1	1	1	1	1	1	
62	12190968	CATCH MAG DOOR	1	1	1	1	1	1	1	1	1	1	1	1	1	1	1	
63	12191187	ACRYLIC LENS	1	1	1	1	1	1	1	1	1	1	1	1	1	1	1	
64	12213300	SNAP BUSHING	2	2	2	2	2	2	2	2	2	2	2	2	2	2	2	
65	12216175	TOP HINGE	1	1	1	1	1	1	1	1	1	1	1	1	1	1	1	
66	12216178	BOTTOM HINGE	1	1	1	1	1	1	1	1	1	1	1	1	1	1	1	
	12206608	PANEL SIDE	1	1	1	1	1	1	1									
67	12206184	PANEL SIDE SS								1	1	1	1	1	1	1	1	
	12206614	DOORS PANEL		1				1										
	12226950	DOORS PANEL 69 SS								1								
68	12206609	DOORS PANEL				2			2									
	12207876	DOORS PANEL 95 SS										2				2		



ZONA/ZONE	SHELVES	LAMINA/DRAWING	14	BB 59_95 HC
-----------	---------	----------------	----	-------------

ITEM	REFERENCIA REFERENCE	DENOMINATION	SHELVES																RECOMENDED	ELIMINADO ELIMINATED	INTRODUCIDO INTRODUCED	NOTAS / NOTES
			BB59	BB 69	BB 80	BB 95	G				S				GS							
69	12206325	PILASTER SUPPORT	1	1	1	1	1	1	1	1	1	1	1	1	1	1	1	1				
70	12190900	PILASTER 20.2"	8	8	12	12	8	8	12	12	8	8	12	12	8	8	12	12				
71	12188096	SS CLIP	16	16	24	24	16	16	24	24	16	16	24	24	16	16	24	24				
72	12190688	FLAT RACK FOR 59-80	4		2		4		2		4		2		4		2					
	12190691	FLAT RACK FOR 69-95		4		6		4		6		4		6		4		6				
	12190689	FLAT RACK FOR 80 CENTER			2				2				2				2					
	12190690	FLAT RACK FOR 80 LEFT			2				2				2				2					

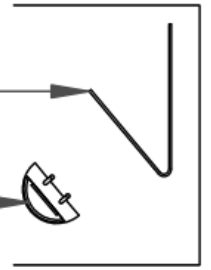


REFERENCE PICTURE

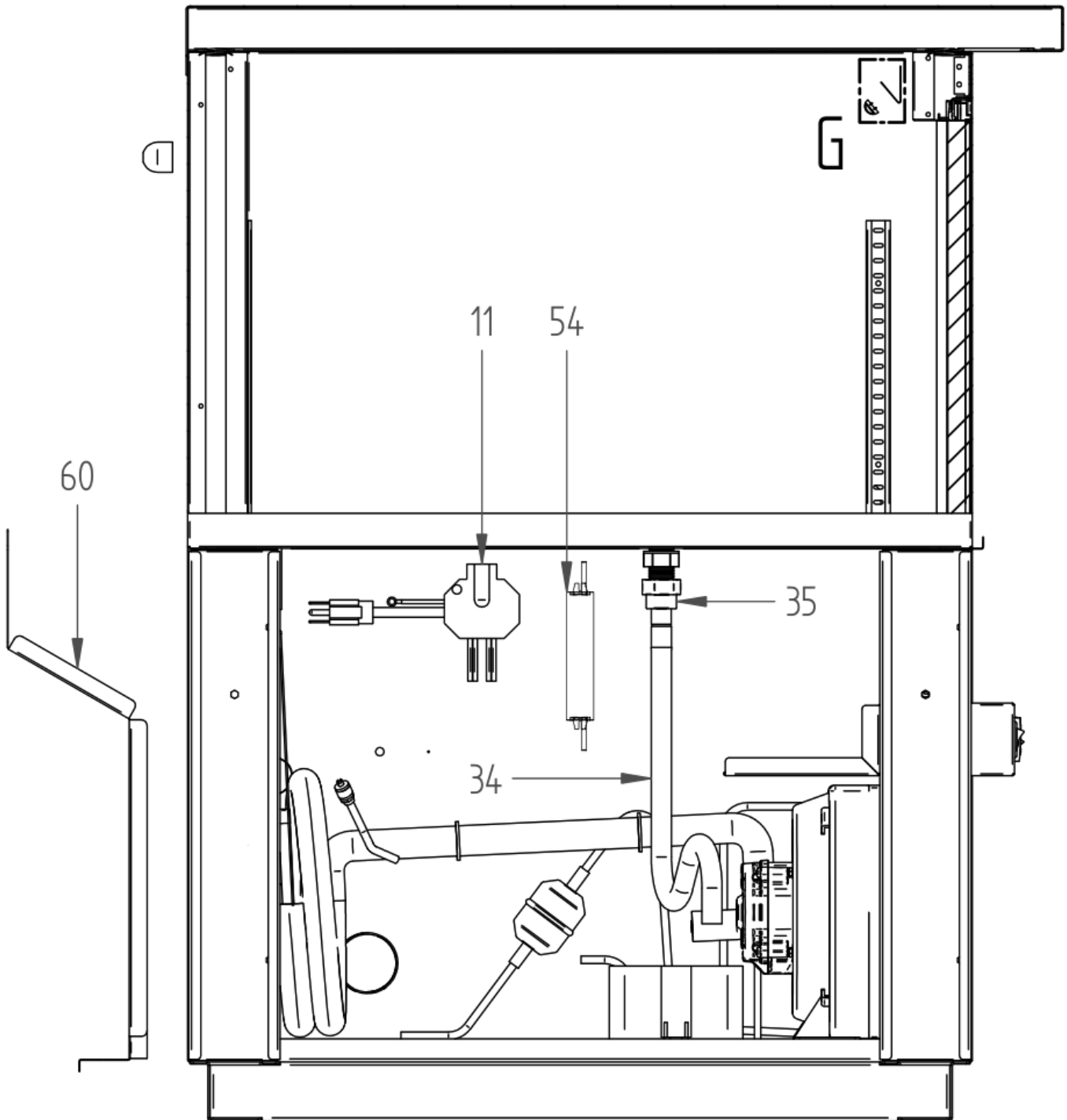
ZONA/ZONE		PLASTIC FRAME				LAMINA/DRAWING								14	BB 59_95 HC		
ITEM	REFERENCIA REFERENCE	DENOMINATION					G		S		GS		RECOMENDED	ELIMINADO ELIMINATED	INTRODUCIDO INTRODUCED	NOTAS / NOTES	
			BB59	BB 69	BB 80	BB 95	BB G 59	BB G 69	BB G 80	BB G 95	BB 59 S	BB 69 S					BB 80 S
PLASTIC FRAME																	
73	12200483	SIDE STRIP	2				2			2			2				
	12200484	SIDE STRIP		2			2			2			2				
	12200485	SIDE STRIP			2			2			2			2			
	12200486	SIDE STRIP				2			2			2			2		
74	12200487	CENTRAL STRIP	2	2	4	4	2	2	4	4	2	2	4	4			
75	12200510	TOP STRIP	2	2	2	2	2	2	2	2	2	2	2	2	2	2	

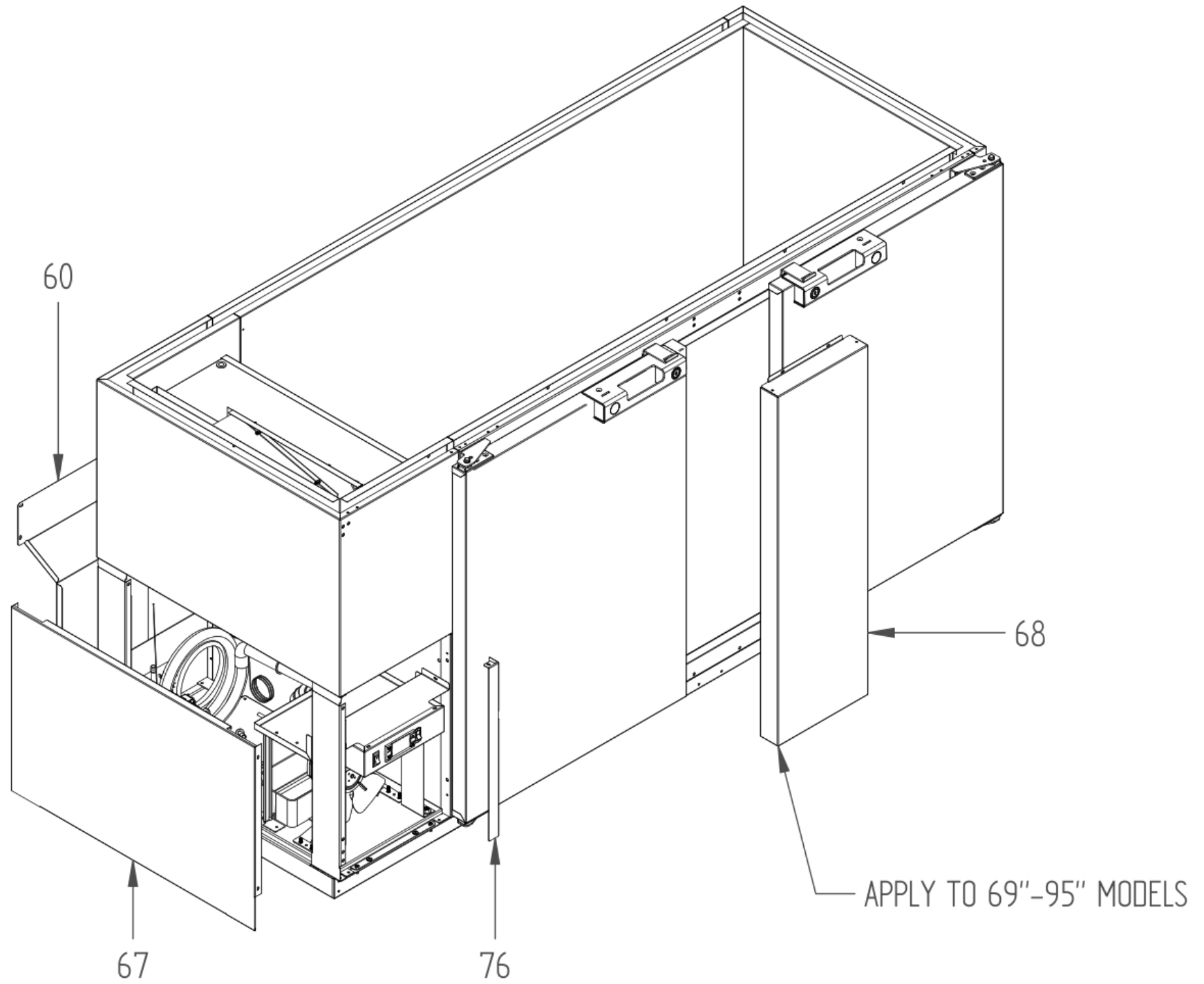
56

57



DETAIL G





ZONA/ZONE	SCREWS	LAMINA/DRAWING	BB 59_95 HC
-----------	--------	----------------	-------------

ITEM	REFERENCIA REFERENCE	DENOMINATION					G				S				GS				RECOMENDED	ELIMINADO ELIMINATED	INTRODUCIDO INTRODUCED	NOTAS / NOTES
			BB59	BB 69	BB 80	BB 95	BB G 59	BB G 69	BB G 80	BB G 95	BB 59 S	BB 69 S	BB 80 S	BB 95 S	BB G 59 S	BB G 69 S	BB G 80 S	BB G 95 S				
SCREWS																						
76	12190891	RIGHT LIGHT TRIM	1	1	1	1	1	1	1	1												
	12206442	RIGHT LIGHT TRIM SS								1	1	1	1	1	1	1	1					
77	12191519	COMPRESSOR SCREW MOUNT	4	4	4	4	4	4	4	4	4	4	4	4	4	4	4					
78	12189583	SCREW M6X16	14	14	20	20	14	14	20	20	14	14	20	20	14	14	20	20				
79	12191590	SCREW FLAT HEAD M4 X 10	4	4	6	6	4	4	6	6	4	4	6	6	4	4	6	6				
80	12191506	SCREW DRILL 8X1/2"	4	4	4	4	4	4	4	4	4	4	4	4	4	4	4	4				
81	12189959	MANUAL SCREW M4X12	10	10	10	10	10	10	10	10	10	10	10	10	10	10	10	10				
82	12191518	SCREW ALLEN 6X16	6	6	6	6	6	6	6	6	6	6	6	6	6	6	6	6				
83	12191589	SCREW FLAT HEAD 10-32 X 5/8"	12	12	18	18	12	12	18	18	12	12	18	18	12	12	18	18				
84	12189582	SCREW M4X10 SS	20	20	20	20	20	20	20	20	20	20	20	20	20	20	20	20				

HOSHIZAKI AMERICA, INC.

618 Hwy. 74 South, Peachtree City, GA 30269 USA (P) 770.487.2331 (F) 770.487.3360 hoshizakiamerica.com