



HOSHIZAKI

Parts List

Self-Contained Cubelet

Models

C-101BAH

C-101BAH-DS

C-101BAH-AD

C-101BAH-ADDS



hoshizakiamerica.com

Number: 71350
Issued: 8-2-2013
Revised: 6-27-2018

CONTENTS

Auxiliary Codes.....	3
Note About Ordering Parts	3
A. Main Assembly	4
B. Refrigeration Circuit.....	6
C. Icemaking Unit	7
D. Water Circuit	9
E. Control Box Assembly.....	11
F. Door Assembly	12
C-101BAH, C-101BAH-AD.....	12
C-101BAH-DS, C-101BAH-ADDS.....	13
G. Accessories & Labels.....	14

Auxiliary Codes

C-101BAH

C-0 May 2013
D-0 January 2014
E-0 January 2015
E-1 September 2015
E-0 October 2015
F-0 January 2016
G-0 January 2017
G-1 July 2017

C-101BAH-AD

C-0 May 2013
D-0 January 2014
E-0 January 2015
E-1 September 2015
E-0 October 2015
F-0 January 2016
G-0 January 2017
G-1 July 2017

C-101BAH-DS

C-0 June 2013
D-0 January 2014
E-0 January 2015
E-1 September 2015
E-0 October 2015
F-0 January 2016
G-0 January 2017
G-1 July 2017

C-101BAH-ADDS

C-0 June 2013
D-0 January 2014
E-0 January 2015
F-0 January 2016
G-0 January 2017
G-1 July 2017

Auxiliary Code Breakdown

The auxiliary code is the first two characters in the serial number. The first character indicates the year. Years progress or regress in alphabetical order. The series runs from "A" through "V" and the letters "I" and "O" are skipped. The second character indicates significant part changes within a year. Base is "0" and this number advances for each change. In cases where there is a letter in parentheses, this designates the month. This is the last character in the serial number. The series runs from "(A)" through "(M)" and the letter "(I)" is skipped. This designation is only included when identifying a parts change within an auxiliary code.

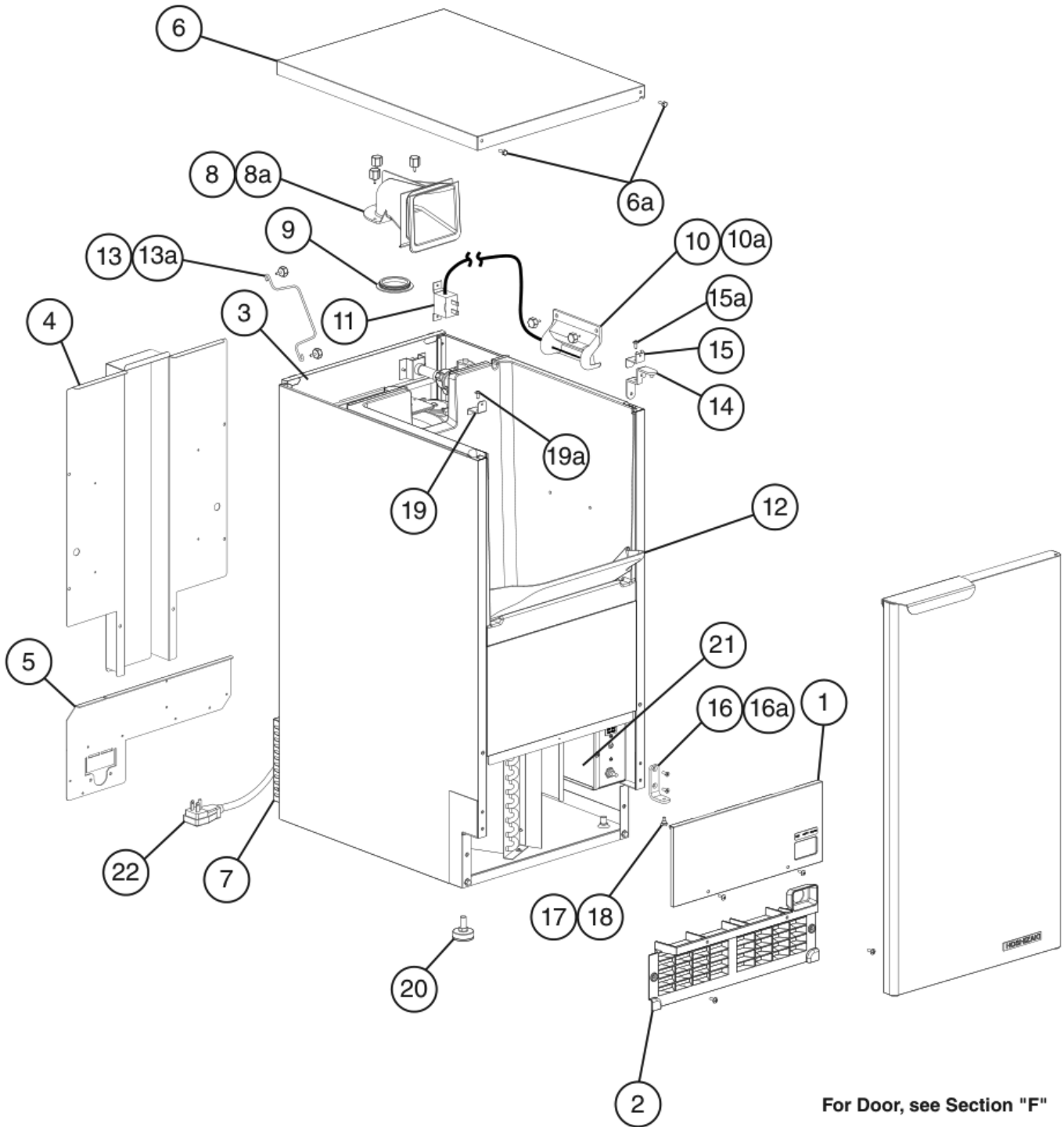
Note About Ordering Parts

Most assemblies cannot be ordered as complete units; parts in the assemblies generally must be ordered separately.

A. Main Assembly

C-101BAH, C-101BAH-DS, C-101BAH-AD, C-101BAH-ADDS

C-0 to G-1

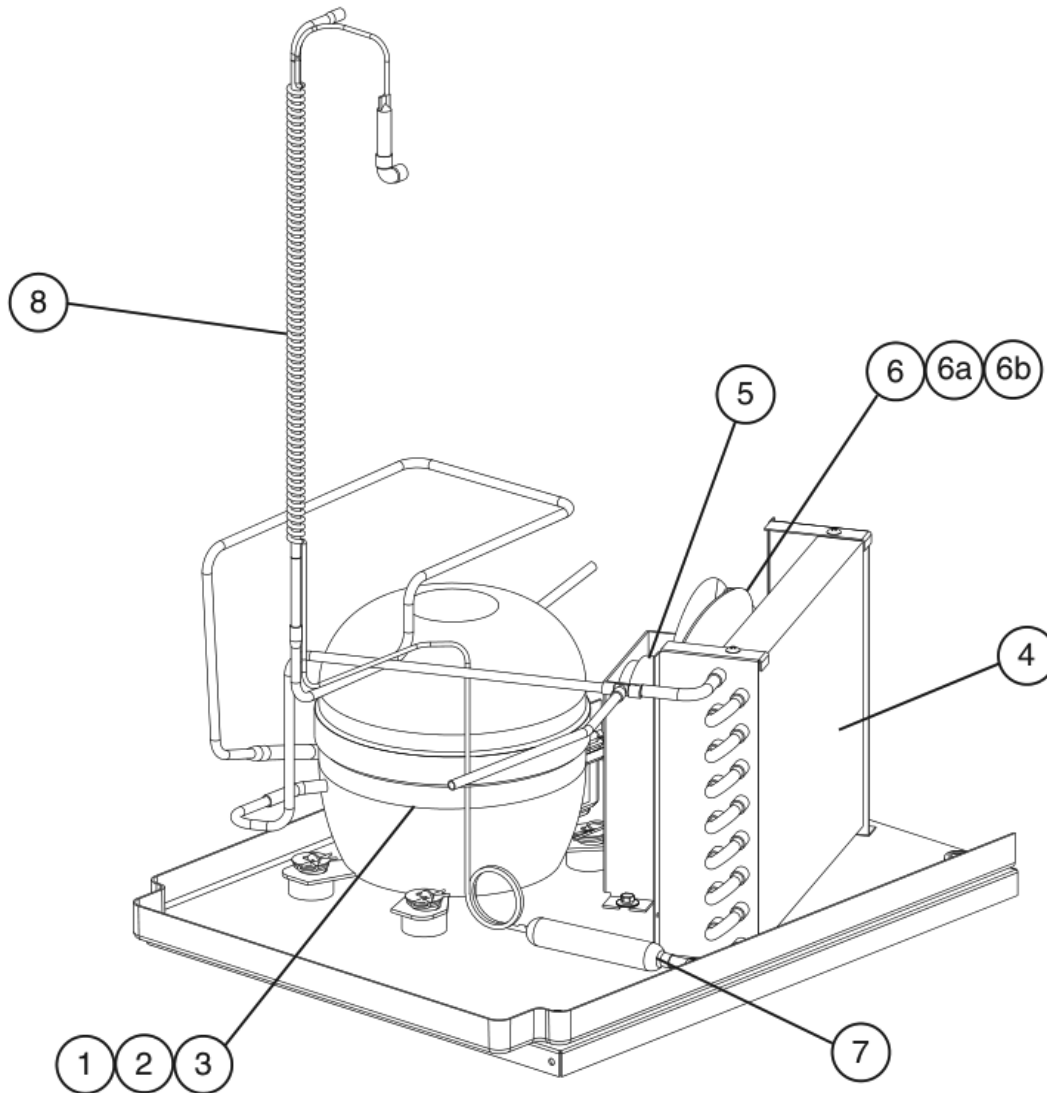


Title: A. Main Assembly Model: C-101BAH, C-101BAH-DS, C-101BAH-AD, C-101BAH-ADDS											
Index No.	Description	Material or Model Number	Part Number	C-0 to G-1	Required Number						
Main Assembly											
1	Front Panel	C-101BAH C-101BAH-DS	3X6433-01	1							
		C-101BAH-AD C-101BAH-ADDS	3X6433-02	1							
2	Louver		2H5560-01	1							
3	Upper Rear Panel		3A6654-01	1							
4	Upper Middle Rear Panel		2A6047-01	1							
5	Lower Middle Rear Panel		3A6271-01	1							
6	Top Panel		2A2849G01	1							
6a	Hex Bolt		7B02-0412	1							
7	Lower Louver Rear Panel	C-101BAH C-101BAH-DS	2A6345-01	1							
		C-101BAH-AD C-101BAH-ADDS	2A5915-01	1							
8	Spout		2A6636-01	1							
8a	Thumbscrew		415949G12	3							
9	Packing		427151-01	1							
10	Thermostatic Bin Control Bulb Holder		3X6381-01	1							
10a	Thumbscrew		415949G10	2							
11	Thermostatic Bin Control		3A2561A03	1							
12	Slope		3X6383-01	1							
13	Scoop Holder		4Y0213-01	1							
13a	Thumbscrew		415949G10	2							
14	Upper Right Hinge A	C-101BAH C-101BAH-AD	4Y0194G01	1							
		C-101BAH-DS C-101BAH-ADDS	4A4885G01	1							
15	Hinge A Bracket		4A2996-01	1							
15a	Truss Head Screw		7C32-0410	1							
16	Hinge B	C-101BAH C-101BAH-AD	4Y0192-01	1							
		C-101BAH-DS C-101BAH-ADDS	4A3980-01	1							
16a	Flat Head Screw	4x12, SS	7C22-0412	2							
17	Hinge Stop Pin		4A2180-01	1							
18	Tooth Washer	M6, SS	7R22-0600	1							
19	Upper Left Hinge Brace		4Y0193-01	1							
19a	Truss Head Screw		7C32-0410	1							
20	Leg		4A2966-01	4							
21	Control Box Cover	C-101BAH C-101BAH-DS	4A5267-01	1							
		C-101BAH-AD C-101BAH-ADDS	4A4498-01	1							
22	Power Supply Cord		4A2860-01	1							

B. Refrigeration Circuit

C-101BAH, C-101BAH-DS, C-101BAH-AD, C-101BAH-ADDS

C-0 to G-1

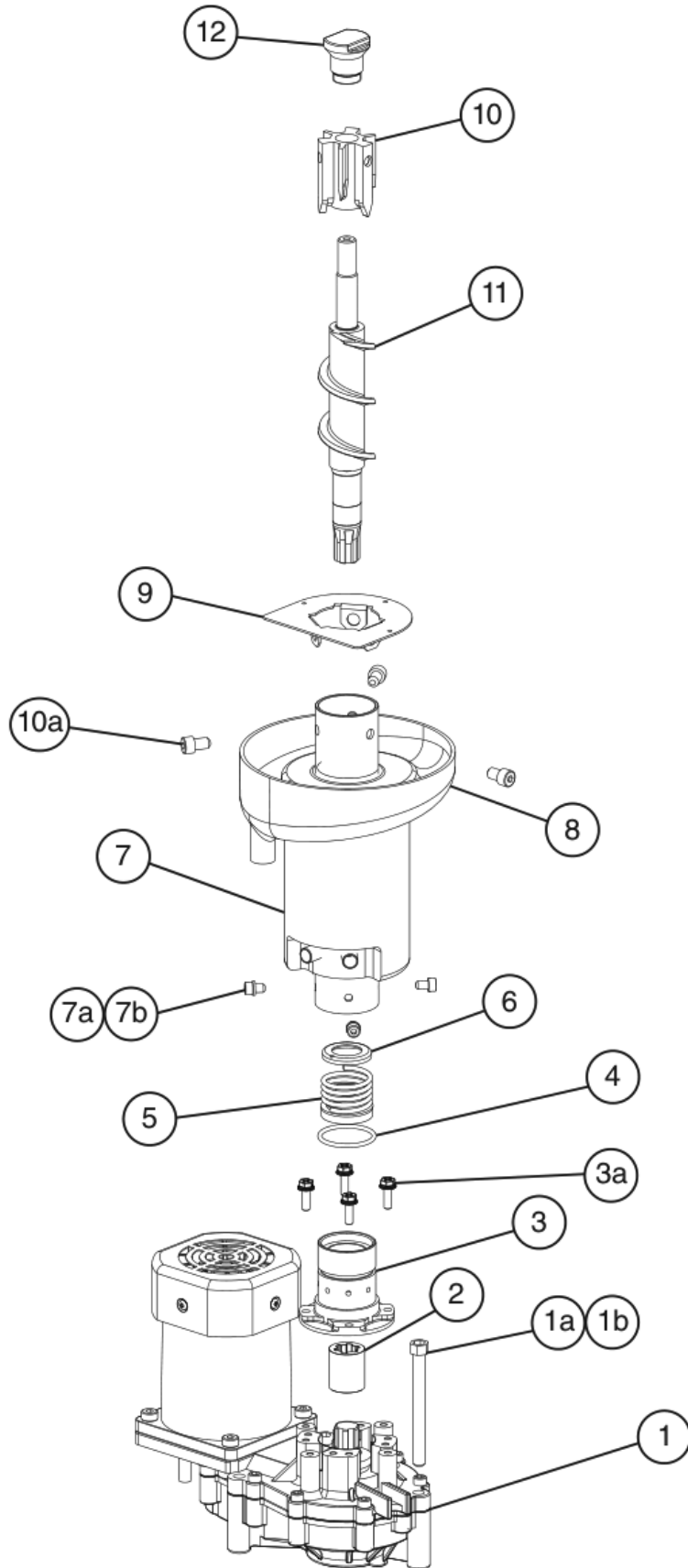


Title: B. Refrigeration Circuit Model: C-101BAH, C-101BAH-DS, C-101BAH-AD, C-101BAH-ADDS																		
Index No.	Description	Material or Model Number	Part Number	Required Number														
				C-0 to G-1														
1	Compressor		455942-01	1														
2	PTC Relay		456252-01	1														
3	Compressor External Protector		456254-01	1														
4	Condenser		2H5586-01	1														
5	Fan Motor		440916-01	1														
6	Fan Blade		3A4467-01	1														
6a	Washer		435983-01	1														
6b	Hex Nut		4A1345-01	1														
7	Drier		445655-04	1														
8	Heat Exchanger		3A5876G01	1														

C. Icemaking Unit

C-101BAH, C-101BAH-DS, C-101BAH-AD, C-101BAH-ADDS

C-0 to G-1

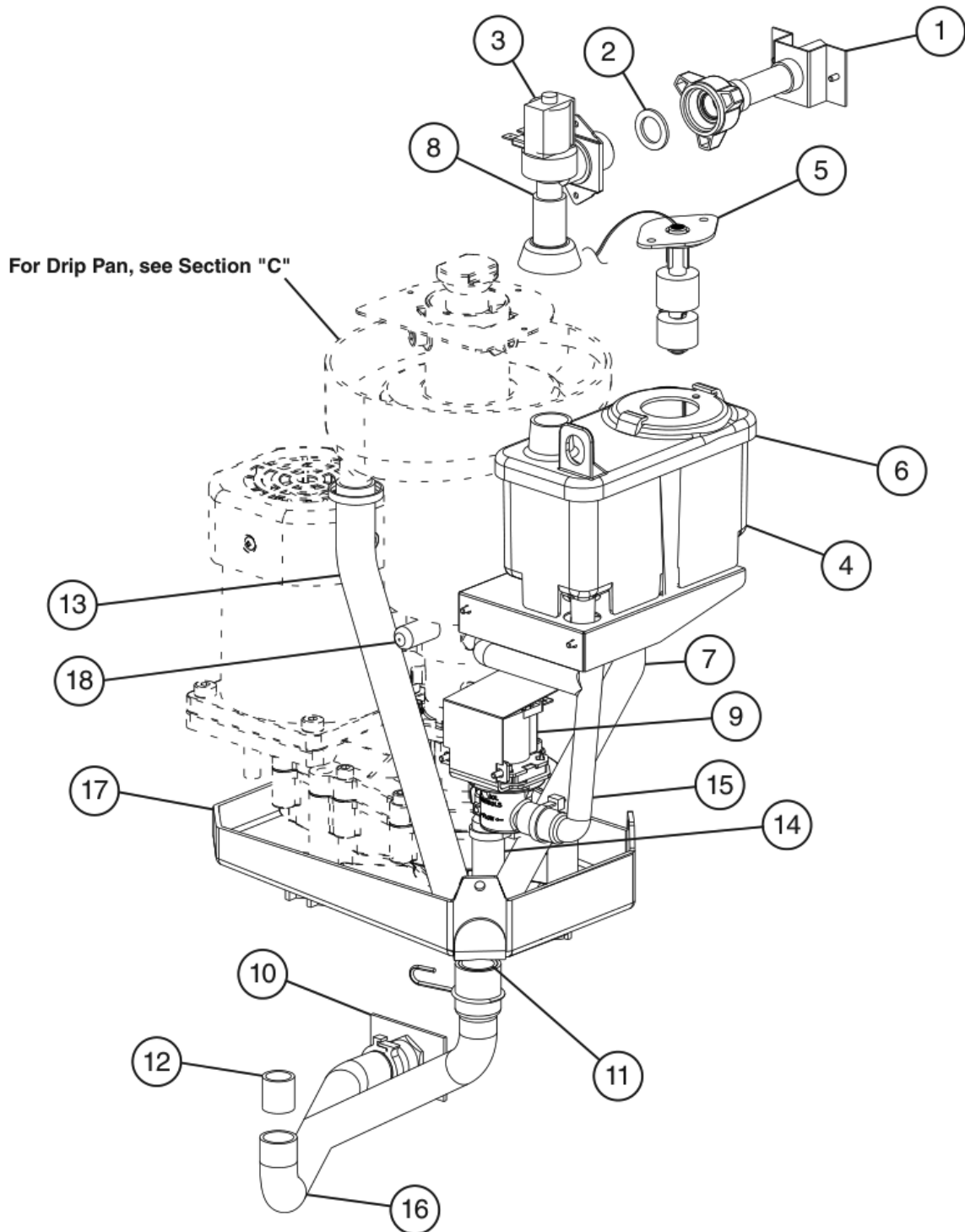


Title: C. Icemaking Unit Model: C-101BAH, C-101BAH-DS, C-101BAH-AD, C-101BAH-ADDS											
Index No.	Description	Material or Model Number	Part Number	C-0 to G-1	Required Number						
1	Gear Motor		2U0147-01	1							
1a	Socket Head Cap Screw	8x95, SS	7S12-0895	2							
1b	Split Lock Washer	M8, SS	7L22-0800	2							
2	Spline Coupling		418316-01	1							
3	Housing		383613G01	1							
3a	Hex Head Bolt	6x20, SS	4A1989-01	4							
4	O-Ring		4A4755-01	1							
5	Mechanical Seal		432491-01	1							
6	Ring		432494-01	1							
7	Evaporator		364138G01	1							
7a	Split Lock Washer	M6, SS	7L22-0600	4							
7b	Socket Head Cap Screw	6x10, SS	7S12-0610	4							
8	Drip Pan		2A4118-01	1							
9	Evaporator Flange		4A5075-01	1							
10	Extruding Head		364141G01	1							
10a	Seal Bolt	M8, SS	P01768-02	3							
11	Auger		269911G01	1							
12	Cutter		4A5505-01	1							

D. Water Circuit

C-101BAH, C-101BAH-DS, C-101BAH-AD, C-101BAH-ADDS

C-0 to G-1

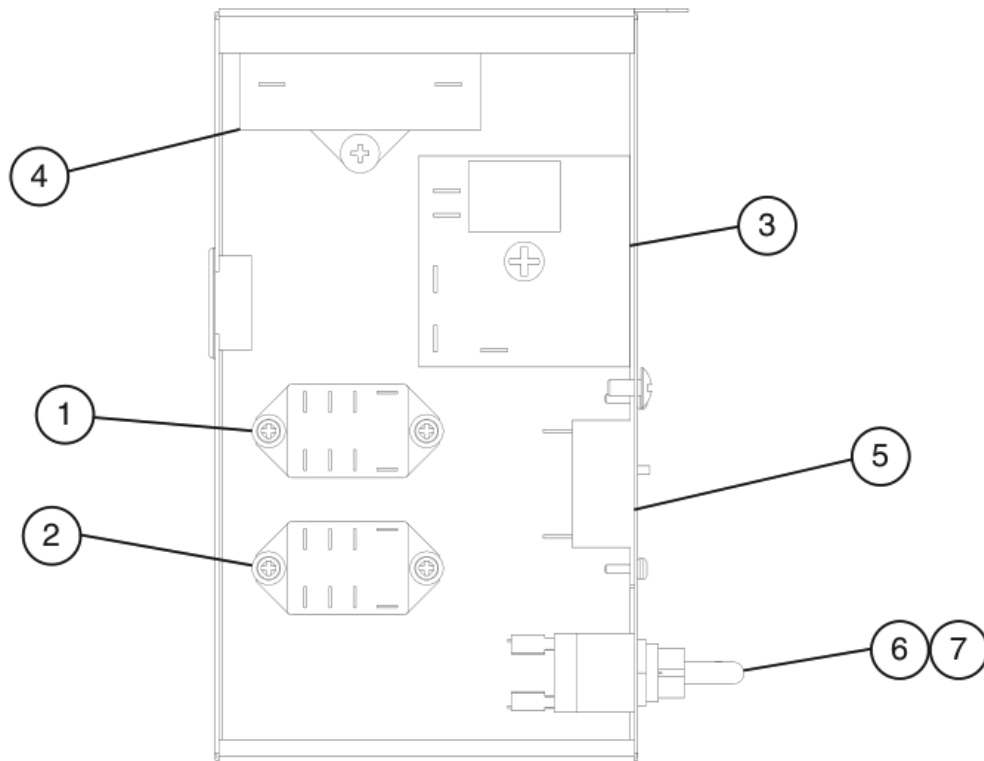


Title: D. Water Circuit Model: C-101BAH, C-101BAH-DS, C-101BAH-AD, C-101BAH-ADDS												
Index No.	Description	Material or Model Number	Part Number	C-0 to G-1	Required Number							
1	Water Supply Pipe		4A5216G05	1								
2	Rubber Gasket		413854-03	1								
3	Inlet Water Valve		4A5251-05	1								
4	Reservoir		2A6586-01	1								
5	Float Switch		435490-01	1								
6	Reservoir Cover		3A6698-01	1								
7	Overflow Hose	L=220 mm	7716-1216	1								
8	Reservoir Inlet Hose		4A5388-01	1								
9	Drain Valve		4A5530-03	1								
10	Drain Fitting		4A3488G01	1								
11	Vinyl Hose	L=25 mm	7725-1923	1								
12	Silicone Hose	L=20 mm	7730-1519	1								
13	Drip Pan Hose	L=280 mm	7725-1923	1								
14	Silicone Hose	L=60 mm	7730-1519	1								
15	Reservoir Outlet Hose		3A7565-01	1								
16	Drain Hose		3A7521-01	1								
17	Drain Pan (Gear Motor)		323765G01	1								
18	Vinyl Cap		4A4370-01	1								
Hose Clamps												
	Hose Clamp	27 mm	427443-08	1								
	Hose Clamp	23 mm	427443-03	1								
	Hose Clamp	17-21 mm	4A2017-05	1								
	Hose Clamp	22-25 mm	4A2017-09	1								

E. Control Box Assembly

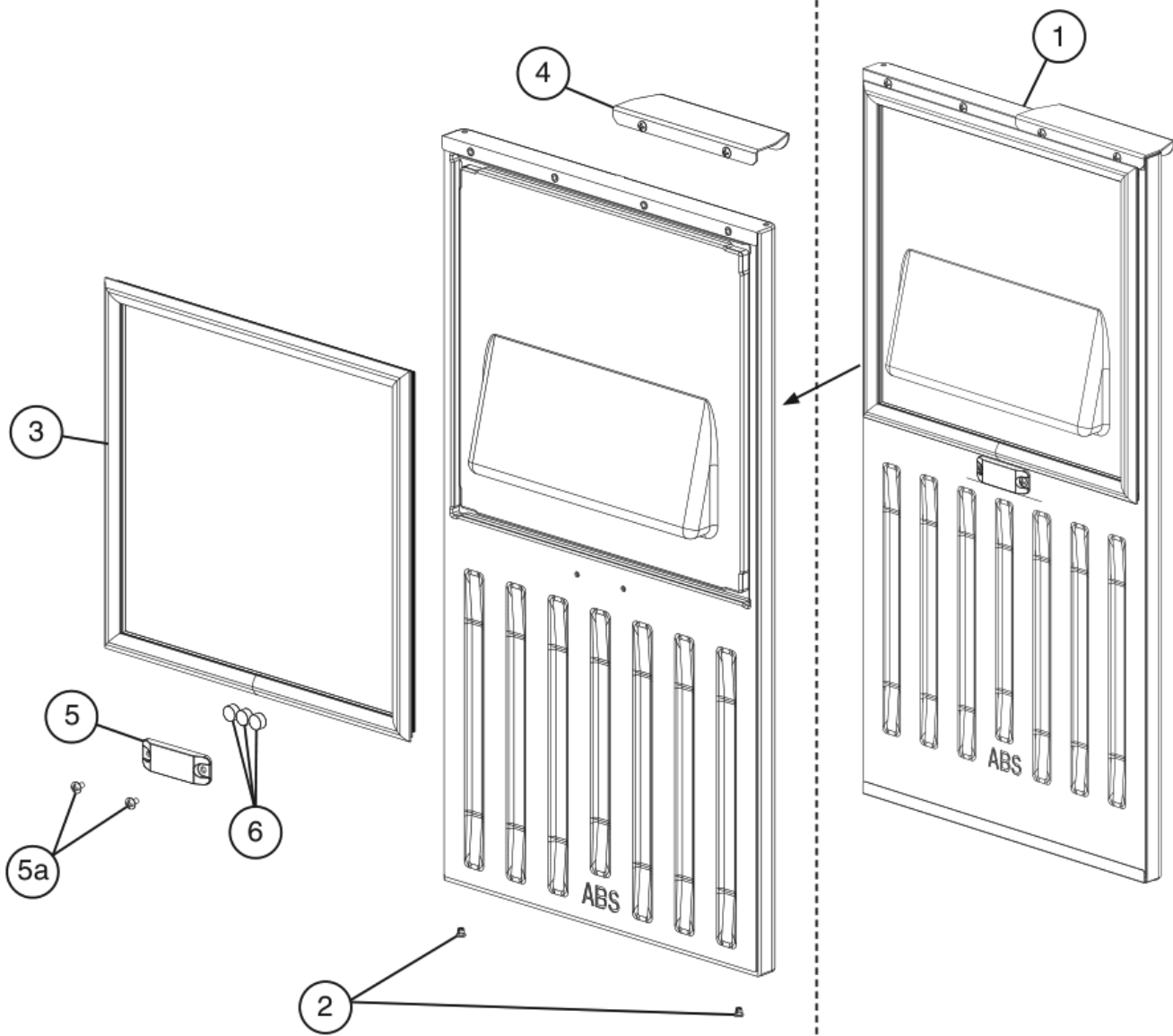
C-101BAH, C-101BAH-DS, C-101BAH-AD, C-101BAH-ADDS

C-0 to G-1



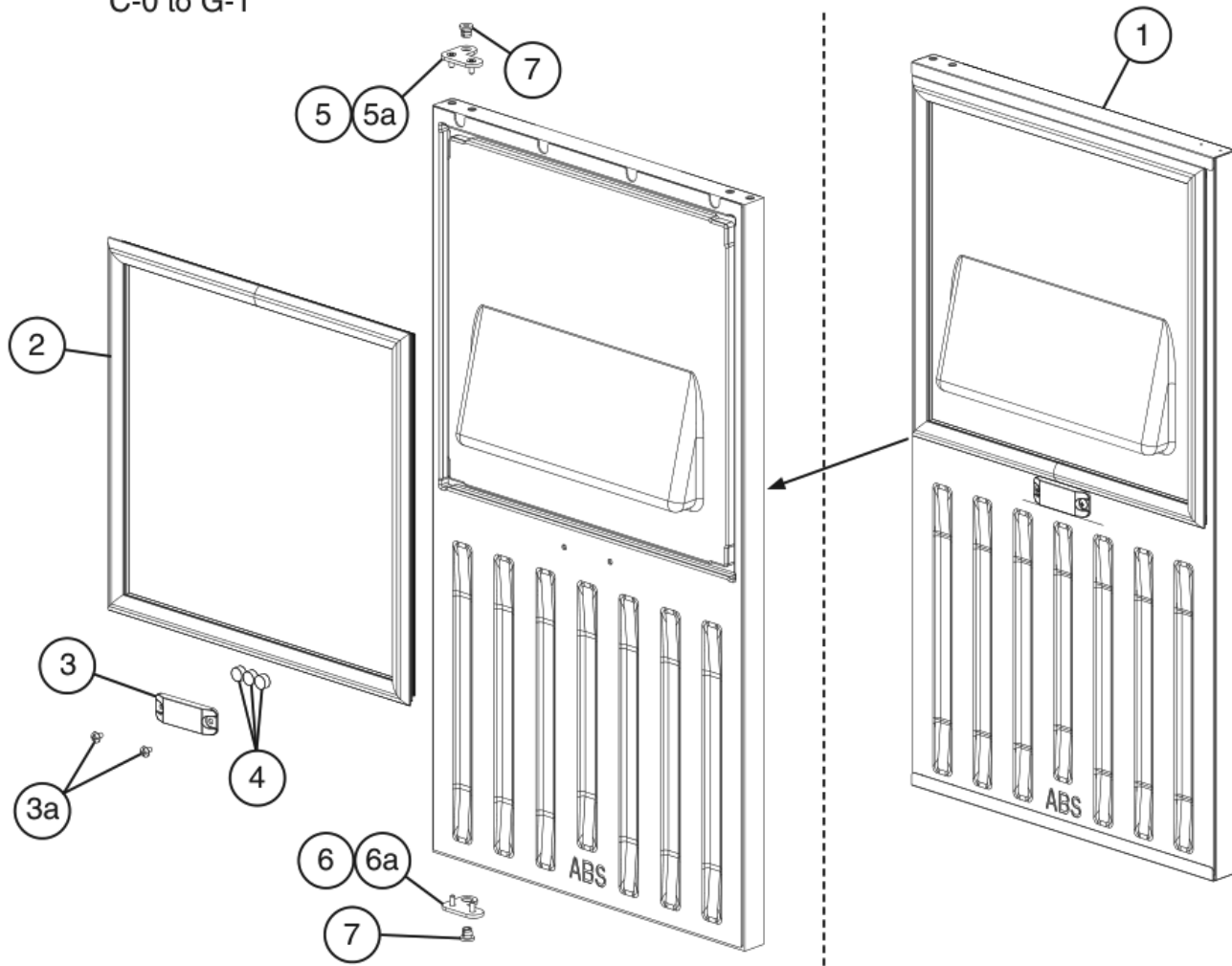
Title: E. Control Box Assembly Model: C-101BAH, C-101BAH-DS, C-101BAH-AD, C-101BAH-ADDS															
Index No.	Description	Material or Model Number	Part Number	Required Number											
				C-0 to G-1											
1	Compressor Relay		418271-03	1											
2	Water Control Relay		406132-07	1											
3	Time Delay Relay (Gear Motor/ Compressor Delay)		4A5389-01	1											
4	Gear Motor Capacitor	10MFD, 280VAC	416921-05	1											
5	Gear Motor Protector		427253-01	1											
6	Control Switch		443119-01	1											
7	Cap		4A1937-01	1											

F. Door Assembly
C-101BAH, C-101BAH-AD
 C-0 to G-1



Title: F. Door Assembly		Model: C-101BAH, C-101BAH-AD		Required Number						
Index No.	Description	Material or Model Number	Part Number	C-0 to G-1						
1	Door Assembly (includes items 2 through 6)	C-101BAH	SP-5335	1						
		C-101BAH-AD	SP-5336	1						
2	Bushing		417486-01	2						
3	Gasket		2A3017-01	1						
4	Handle		4A2867-01	1						
5	Magnet Holder		4Y0203-01	1						
5a	Truss Head Screw		7C32-0408	2						
6	Magnet		4A4686-01	2						

F. Door Assembly
C-101BAH-DS, C-101BAH-ADDS
 C-0 to G-1

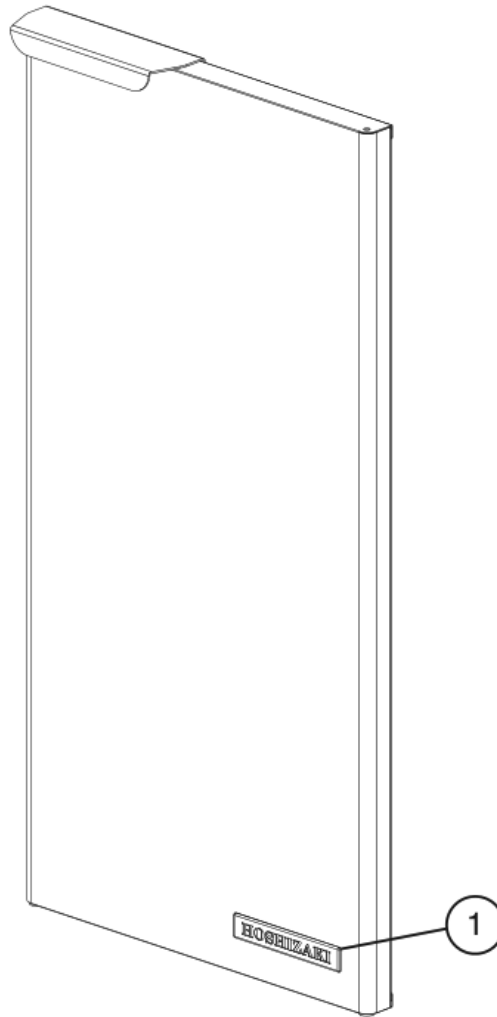


Title: F. Door Assembly Model: C-101BAH-DS, C-101BAH-ADDS					Required Number							
Index No.	Description	Material or Model Number	Part Number	C-0 to G-1								
1	Door Assembly (includes items 2 through 4)	C-101BAH-DS	SP-5337	1								
		C-101BAH-ADDS	SP-5338	1								
2	Gasket		2A3017-01	1								
3	Magnet Holder		4Y0203-01	1								
3a	Truss Head Screw		7C32-0408	2								
4	Magnet		4A4686-01	2								
5	Hinge C Assembly (UR, LL) (includes one of item 7)		4A3983G01	1								
5a	Flat Head Screw	4x12, SS	7C22-0412	2								
6	Hinge C Assembly (LR, UL) (includes one of item 7)		4A3983G02	1								
6a	Flat Head Screw	4x12, SS	7C22-0412	2								
7	Bushing		417486-01	2								

G. Accessories & Labels

C-101BAH, C-101BAH-DS, C-101BAH-AD, C-101BAH-ADDS

C-0 to G-1



Title: G. Accessories & Labels Model: C-101BAH, C-101BAH-DS, C-101BAH-AD, C-101BAH-ADDS										
Index No.	Description	Material or Model Number	Part Number	Required Number						
				C-0 to G-1						
1	Hoshizaki Emblem		4A0560-01	1						
2	Scoop		204336-01	1						
3	Control Label		3A7575-01	1						
4	Drain Elbow	For use with optional Drain Pump Kit HS-5061	4A1017-01	1						
5	Canoe Clip	C-101BAH-DS C-101BAH-ADDS	4A5835-01	2						
6	L Bracket	C-101BAH-DS C-101BAH-ADDS	4A3998-01	1						
7	Threaded Wood Insert	C-101BAH-DS C-101BAH-ADDS	4A4004-01	6						