



# HOSHIZAKI

## Parts Manual

### Bottle Cooler Equipment

#### Models

CC50

CC65

CC80

CC95

CC50 S

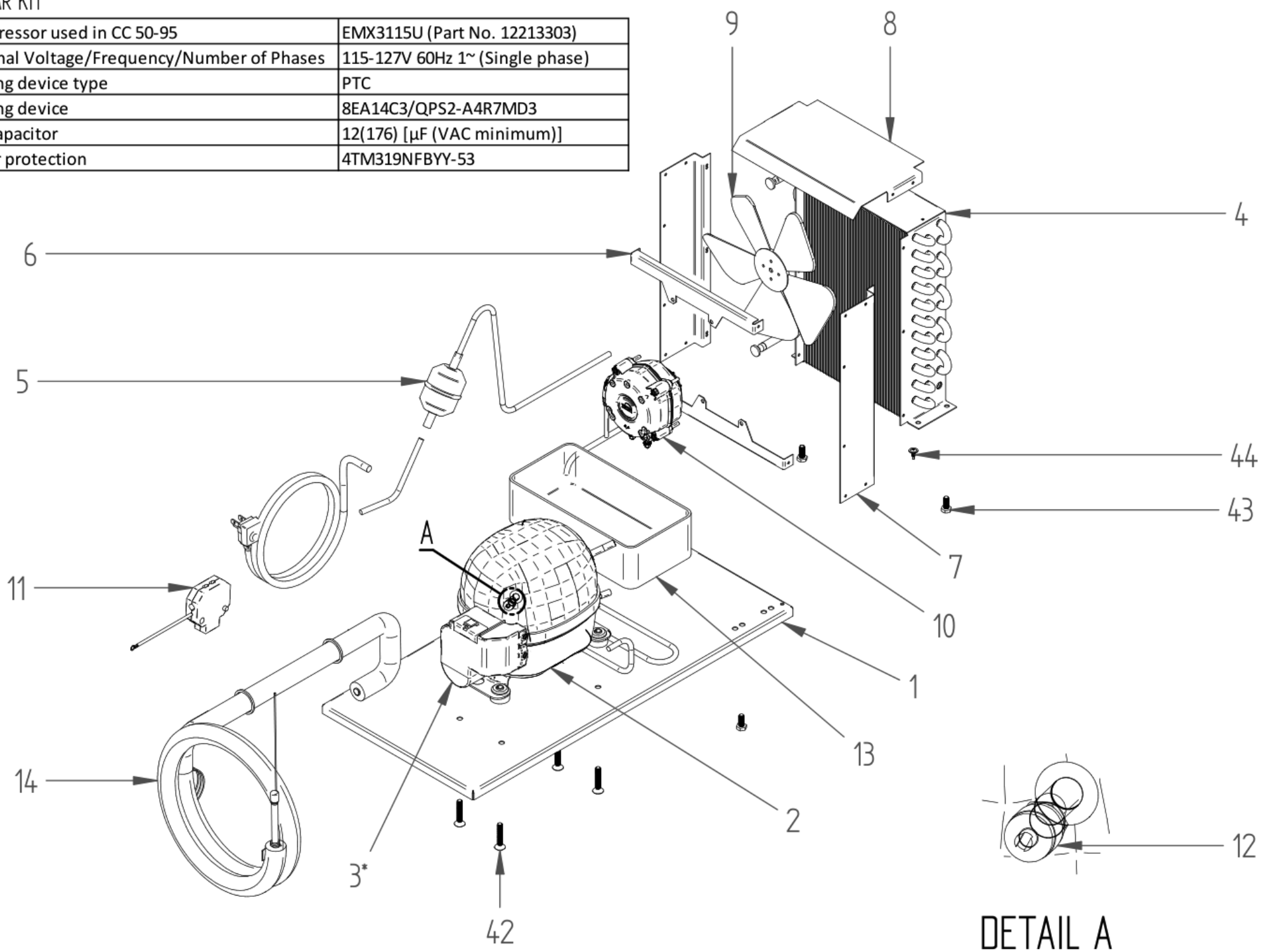
CC65 S

CC80 S

CC95 S

3\* STAR KIT

Compressor used in CC 50-95	EMX3115U (Part No. 12213303)
Nominal Voltage/Frequency/Number of Phases	115-127V 60Hz 1~ (Single phase)
Starting device type	PTC
Starting device	8EA14C3/QPS2-A4R7MD3
Run capacitor	12(176) [ $\mu$ F (VAC minimum)]
Motor protection	4TM319NFBYY-53



DETAIL A

ZONE

CONDESING UNIT

DRAWING

2

ITEM

REFERENCE

DENOMINATION

CC 50

CC 65

CC 80

CC 95

CC 50 S

CC 65 S

CC 80 S

CC 95 S

RECOMENDED

ELIMINATED

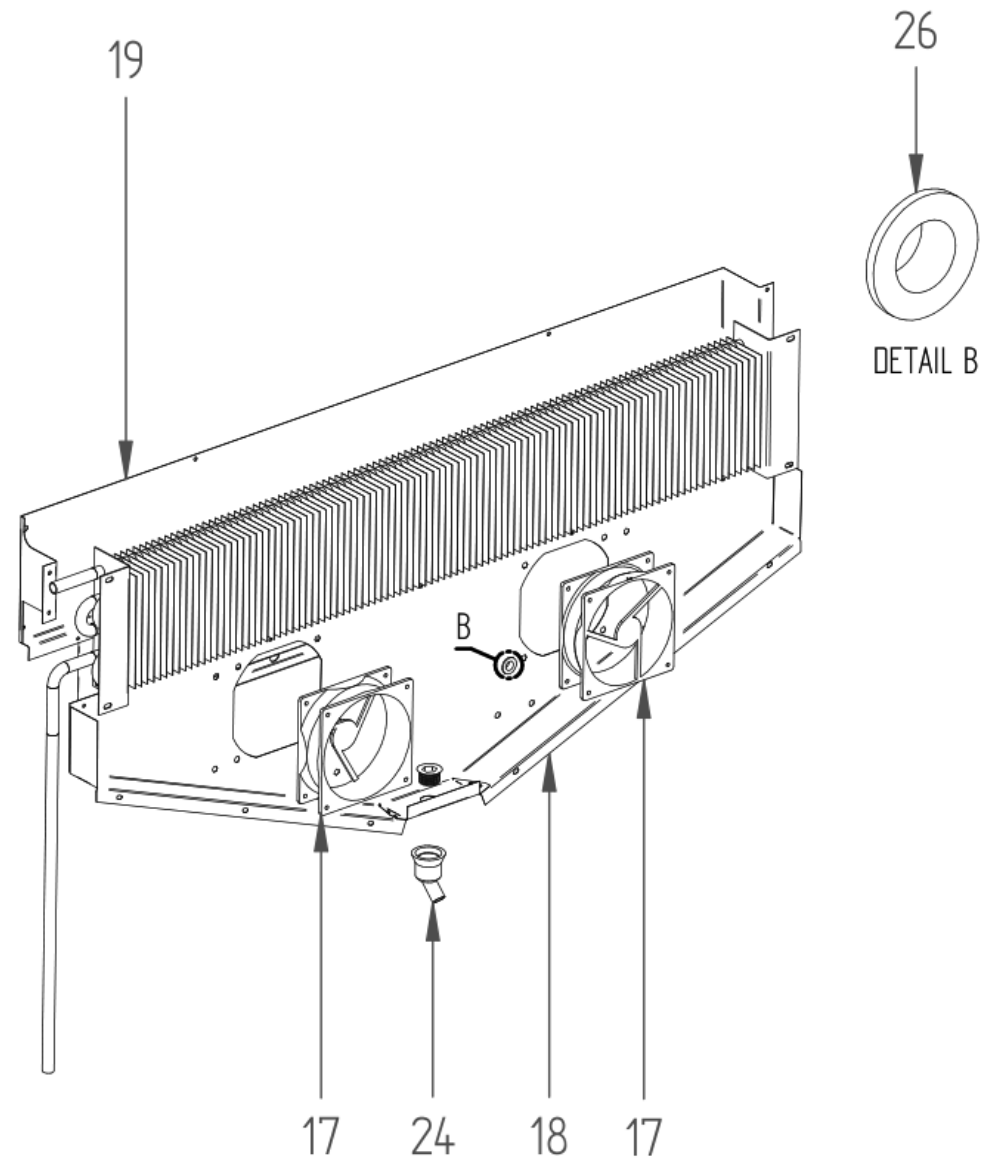
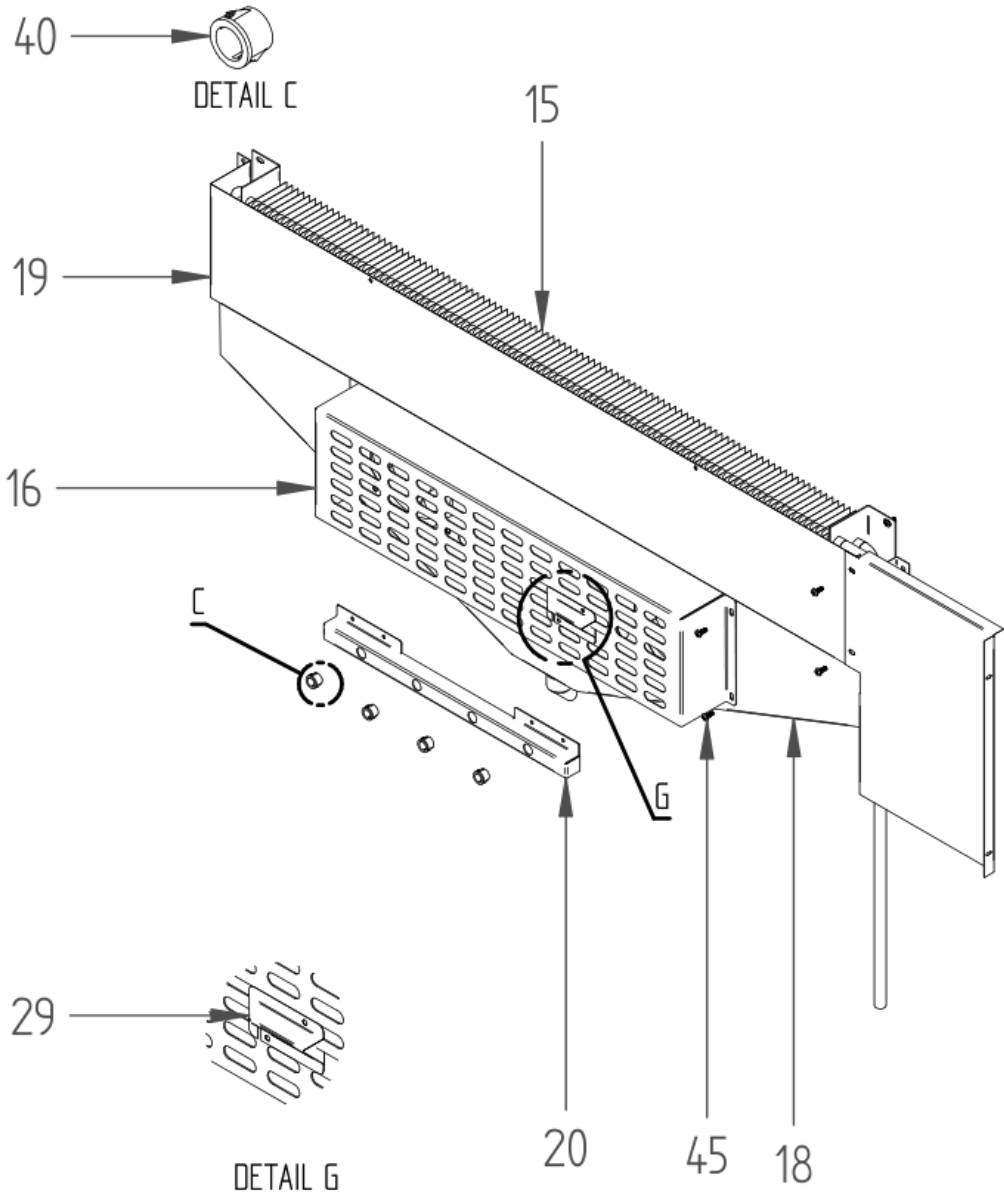
INTRODUCED

NOTES

CONDESING UNIT

CONDESING UNIT

1	12195746	DECK	1	1	1	1	1	1	1	1			
2	12213303	COMPRESSOR 115V	1	1	1	1	1	1	1	1	X		
3	*	START KIT	-	-	-	-	-	-	-	-			
4	12190809	CONDENSER	1	1	1	1	1	1	1	1			
5	12188004	FILTER	1	1	1	1	1	1	1	1			
6	12195824	FAN SUPPORT	1	1	1	1	1	1	1	1			
7	12195825	SIDE FAN SUPPORT	1	1	1	1	1	1	1	1			
8	12195828	TOP FAN SUPPORT	1	1	1	1	1	1	1	1			
9	12190018	FAN BLADE	1	1	1	1	1	1	1	1			
10	12190510	FAN	1	1	1	1	1	1	1	1	X		
11	12190610	POWER CORD(SPIDER HUB)	1	1	1	1	1	1	1	1			
12	12037369	SCHRADER VALVE	1	1	1	1	1	1	1	1			
13	12189560	AUTOMATIC DRAIN PAN	1	1	1	1	1	1	1	1			
14	11002865	CAP TUBE	1	1	1	1	1	1	1	1			



ZONE EVAPORATION UNITS DRAWING

3

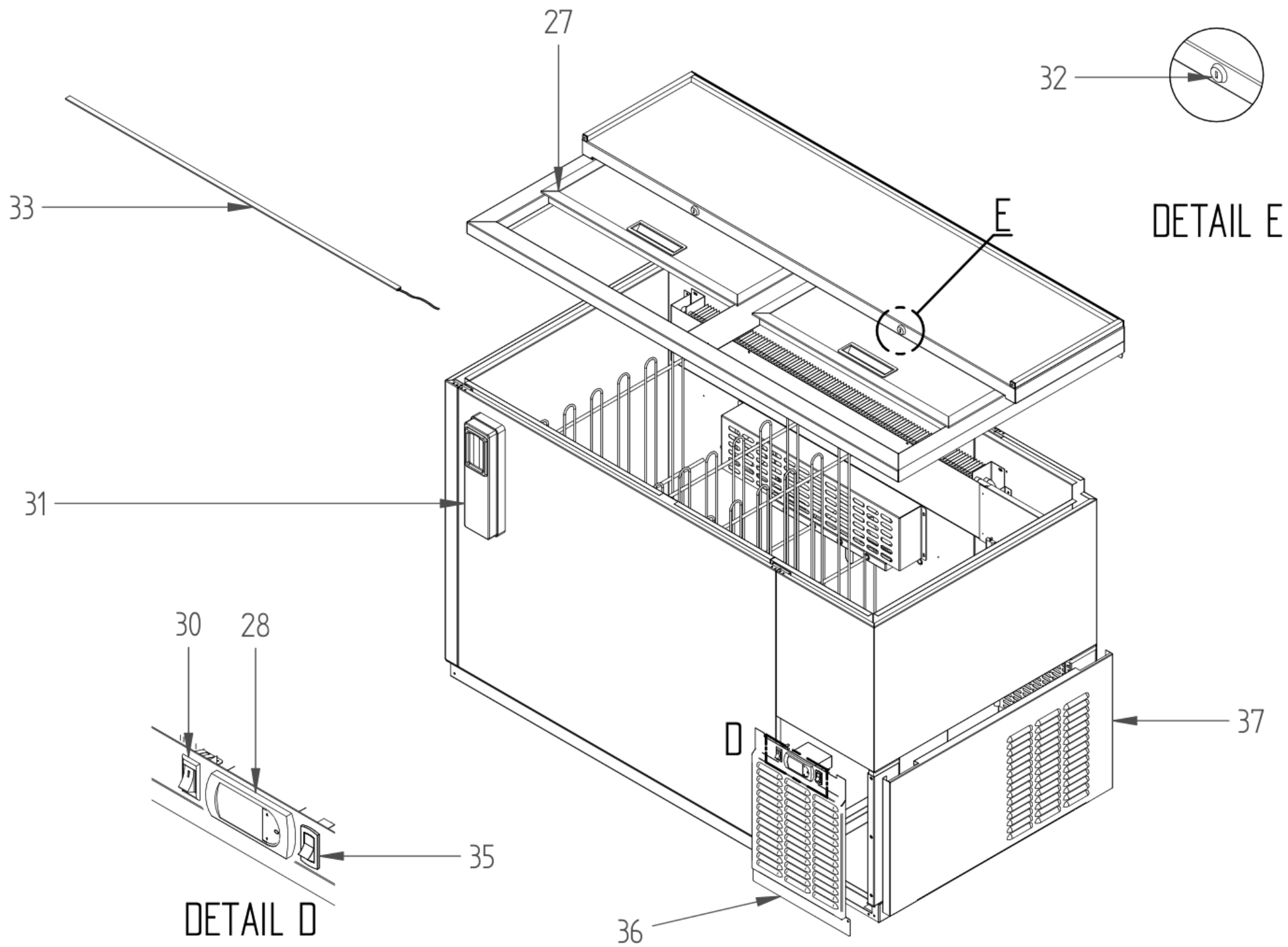
ITEM	REFERENCE	DENOMINATION					S				RECOMENDED	ELIMINATED	INTRODUCED	NOTES
			CC 50	CC 65	CC 80	CC 95	CC 50 S	CC 65 S	CC 80 S	CC 95 S				

**EVAPORATION UNITS**

EVAPORATION UNIT															
15	12190774	EVAPORATOR COIL	1				1								
16	12194232	FAN GRID	1				1								
17	12191476	FAN	1				1					X			
18	12194615	EVAPORATION TRAY	1				1								
19	12194618	EVAPORATOR PROTECTOR	1				1								
20	12194233	GRID SUPPORT	1				1								
21	12189570	GROMMET	1				1								
EVAPORATION UNIT															
15	12190778	EVAPORATOR COIL		1	1	1		1	1	1					
16	12194232	FAN GRID		1	1	1		1	1	1					
17	12191476	FAN		2	2	2		2	2	2		X			
18	12194234	EVAPORATION TRAY		1	1	1		1	1	1					
19	12194230	EVAPORATOR PROTECTOR		1	1	1		1	1	1					
20	12194233	GRID SUPPORT		1	1	1		1	1	1					
21	12189570	GROMMET		1	1	1		1	1	1					

**DRAIN**

22	12190471	DRAIN HOSE	2.42	2.57	2.84	2.9	2.42	2.57	2.84	2.9					
23	12190460	COUPLE FITTING	1	1	1	1	1	1	1	1					
24	12191224	DRAIN	2	2	2	2	2	2	2	2					
25	12189956	PLASTIC SEAL	2	2	2	2	2	2	2	2					
26	12190036	GROMMET	2	2	2	3	1	1	2	2					



ZONE	SEVERAL DEVICES	DRAWING				6
------	-----------------	---------	--	--	--	---

ITEM	REFERENCE	DENOMINATION					S				RECOMENDED	ELIMINATED	INTRODUCED	NOTES
			CC 50	CC 65	CC 80	CC 95	CC 50 S	CC 65 S	CC 80 S	CC 95 S				

**DOORS & OTHERS**

27	12201950	DOOR 50"	2				2								
	12201954	DOOR 65"		2				2							
	12201957	DOOR 79"			3				3						
	12203005	DOOR 95"				3				3					

**CONTROLLER & OTHER**

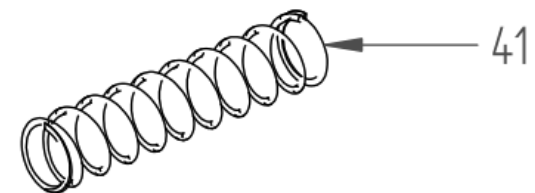
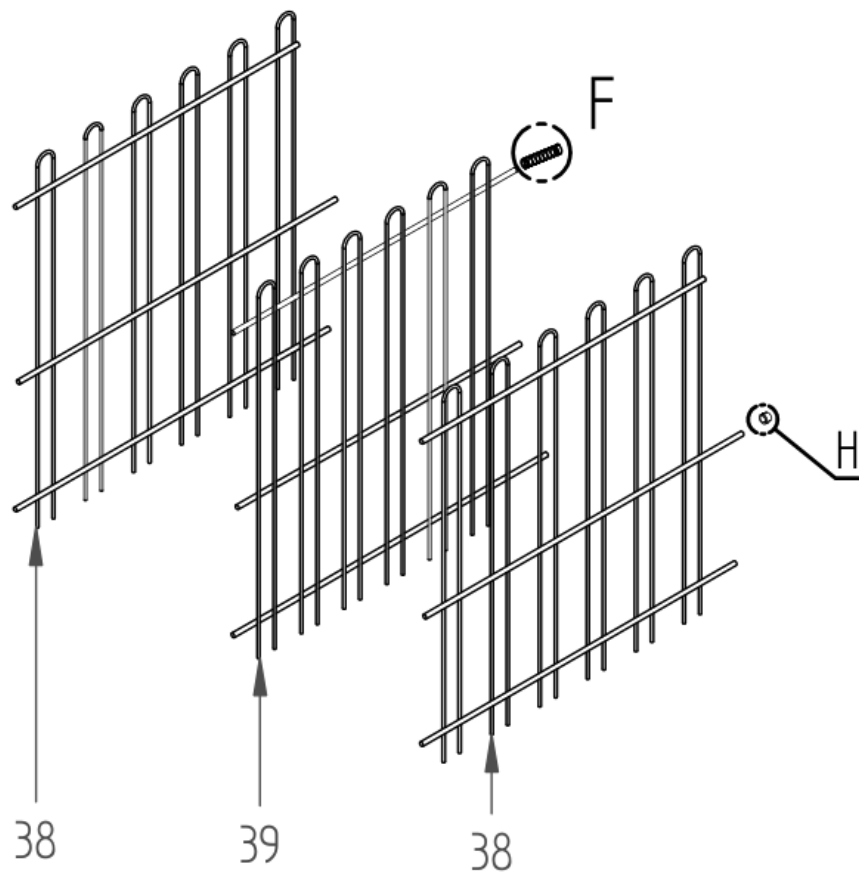
28	12188079	CAREL CONTROLLER	1	1	1	1	1	1	1	1	X			
29	12188080	PROBE NTC030HP00 CAREL	1	1	1	1	1	1	1	1				
30	12190513	ROCKET SWITCH	1	1	1	1	1	1	1	1				

**ACCESORIES / LIGHTING**

31	12190077	CAP CATCHER	1	1	1	1	1	1	1	1				
32	12190864	LOCK	2	2	3	3	2	2	3	3	X			
33	12190588	LED LAMP 1M	1				1							
	12190586	LED LAMP 1.2M		1				1						
	12190587	LED LAMP 1.4M			1	1			1	1				
34	12190580	DRIVER LED	1	1	1	1	1	1	1	1				
35	12037353	LIGHT SWITCH	1	1	1	1	1	1	1	1				

**PANELS**

36	12250956	FRONTAL PANEL	1	1	1	1								
	12250959	FRONTAL PANEL SS					1	1	1	1				
37	12196171	SIDE PANEL	1	1	1	1								
	12225215	SIDE PANEL SS					1	1	1	1				



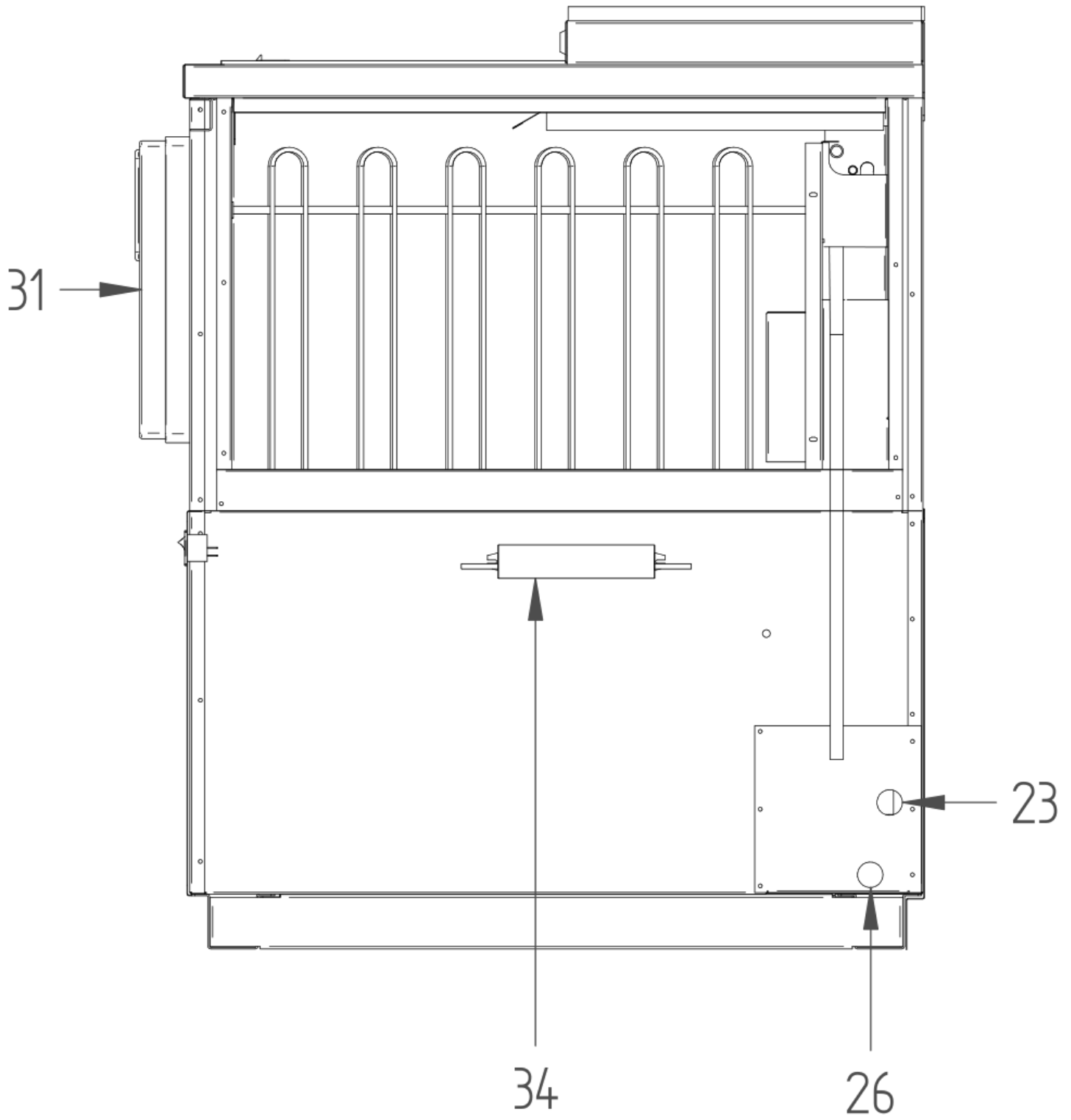
DETAIL F



DETAIL H

<b>ZONE</b>	<b>GRID</b>	<b>DRAWING</b>	<b>8</b>	<b>CC 50_95 HC</b>
-------------	-------------	----------------	----------	--------------------

ITEM	REFERENCE	DENOMINATION	S								RECOMENDED	ELIMINATED	INTRODUCED	NOTES
			CC 50	CC 65	CC 80	CC 95	CC 50 S	CC 65 S	CC 80 S	CC 95 S				
<b>GRID</b>														
38	12190664	LEFT/RIGHT GRID	2	3	6	6	2	3	6	6				
39	12190665	CENTRAL GRID	1	1	1	1	1	1	1	1				
40	12189964	PLASTIC GROMMET	30	46	60	72	30	46	60	72				
41	12190644	SPRING	6	8	14	14	6	8	14	14				



ZONE OTHERS/OTROS DRAWING

9

ITEM	REFERENCE	DENOMINATION					S				RECOMENDED	ELIMINATED	INTRODUCED	NOTES
			CC 50	CC 65	CC 80	CC 95	CC 50 S	CC 65 S	CC 80 S	CC 95 S				
<b>OTHERS/OTROS</b>														
42	12191519	SCREW M6x35	4	4	4	4	4	4	4	4				
43	12191518	SCREW ALLEN M6X16	6	6	6	6	6	6	6	6				
44	12191506	SCREW DRILL 8X1/2"	4	4	4	4	4	4	4	4				
45	12189582	SCREW M4x10 SS	20	20	20	20	20	20	20	20				

**HOSHIZAKI AMERICA, INC.**

---

618 Hwy. 74 South, Peachtree City, GA 30269 USA (P) 770.487.2331 (F) 770.487.3360 [hoshizakiamerica.com](http://hoshizakiamerica.com)