



HOSHIZAKI

Parts List

Commercial Series
Refrigerated Kitchen Equipment

Models

CR1B-FG/FGY/FS/HS

CF1B-FG/FGY/FS/HS

CR2B-FG/FGY/FS/HS

CF2B-FG/FGY/FS/HS

CR3B-FG/FGY/FS/HS

CF3B-FS/HS



hoshizakiamerica.com

Number: 71344
Issued: 3-20-2012
Revised: 8-29-2017

CONTENTS

| | |
|--|----|
| Auxiliary Codes..... | 3 |
| Note About Ordering Parts | 5 |
| A. Main Assembly | 6 |
| CR1B-FG/FGY/FS/HS, CF1B-FG/FGY/FS/HS | 6 |
| CR2B-FG/FGY/FS/HS, CF2B-FG/FGY/FS/HS | 8 |
| CR3B-FG/FGY/FS/HS, CF3B-FS/HS..... | 10 |
| B. Refrigeration Circuit..... | 13 |
| CR1B-FG/FGY/FS/HS, CR3B-FG/FGY/FS/HS..... | 13 |
| CF1B-FG/FGY/FS/HS, CF3B-FS/HS | 15 |
| CR2B-FG/FGY/FS/HS, CR3B-FG/FGY/FS/HS..... | 17 |
| CF2B-FG/FGY/FS/HS, CF3B-FS/HS | 19 |
| C. Control Box Assembly | 21 |
| CR1B-FG/FGY/FS/HS, CF1B-FG/FS/HS, CR2B-FG/FGY/FS/HS,..... | 21 |
| CR3B-FG/FGY/FS/HS, CF3B-FS/HS(One Section) | 21 |
| CF2B-FG/FGY/FS/HS, CF3B-FS/HS(Two Section) | 22 |
| D. Door-Right Hinged..... | 23 |
| Full Glass: CR1B-FG, CF1B-FG, CR2B-FG, CF2B-FG, CR3B-FG..... | 23 |
| Full Glass: CR1B-FGY, CF1B-FGY, CR2B-FGY, CF2B-FGY, CR3B-FGY..... | 24 |
| Full Solid: CR1B-FS, CF1B-FS, CR2B-FS, CF2B-FS, CR3B-FS, CF3B-FS | 25 |
| Half Solid: CR1B-HS, CF1B-HS, CR2B-HS, CF2B-HS, CR3B-HS, CF3B-HS | 26 |
| E. Door-Left Hinged | 28 |
| Full Glass: CR2B-FG, CF2B-FG, CR3B-FG..... | 28 |
| Full Glass: CR2B-FGY, CF2B-FGY, CR3B-FGY..... | 29 |
| Full Solid: CR2B-FS, CF2B-FS, CR3B-FS, CF3B-FS | 30 |
| Half Solid: CR2B-HS, CF2B-HS, CR3B-HS, CF3B-HS..... | 31 |
| F. Accessories & Labels..... | 33 |

Auxiliary Codes

CR1B-FG

A-5 September 2011
B-5 January 2012
B-6 May 2012
C-5 January 2013
D-5 February 2014
D-6 March 2014
D-7 July 2014

CR1B-FGY

D-5 June 2014
D-7 July 2014
D-8 September 2014
E-5 January 2015
E-7 June 2015

CR1B-FS

V-5 December 2010
A-5 February 2011
B-5 January 2012
B-6 May 2012
C-5 January 2013
D-5 February 2014
D-6 March 2014
D-7 July 2014
D-8 September 2014
E-5 January 2015
E-7 July 2015

CR1B-HS

A-5 February 2011
B-5 January 2012
B-6 May 2012
C-5 January 2013
C-6 October 2013
D-6 March 2014
D-7 July 2014
D-8 September 2014
E-5 January 2015
E-7 June 2015

CF1B-FG

B-5 January 2012
B-6 May 2012
C-5 January 2013
C-6 June 2014
D-5 February 2014
D-6 March 2014
D-7 July 2014
D-8 September 2014

CF1B-FGY

D-7 July 2014

CF1B-FS

A-5 January 2011
B-5 January 2012
B-6 May 2012
C-5 January 2013
D-5 January 2014
D-6 March 2014
D-7 July 2014
D-8 September 2014
D-9 October 2014
E-5 January 2015

CF1B-HS

A-5 February 2011
B-5 February 2012
B-6 May 2012
C-5 January 2013
C-6 October 2013
D-5 January 2014
D-6 March 2014
D-7 July 2014
D-8 September 2014
D-9 October 2014
E-5 January 2015
E-6 May 2015
E-7 June 2015

CR2B-FG

A-5 October 2011
B-6 May 2012
C-5 January 2013
D-5 February 2014

CR2B-FGY

D-5 June 2014
D-7 July 2014
D-8 September 2014
E-5 January 2015
E-7 June 2015

CR2B-FS

V-5 December 2010
A-5 February 2011
B-5 January 2012
B-6 May 2012
C-5 January 2013
D-5 February 2014
D-6 March 2014
D-7 July 2014
D-8 September 2014
E-5 January 2015

CR2B-HS

A-5 February 2011
B-5 January 2012
B-6 May 2012
C-5 January 2013
D-7 July 2014

CF2B-FG

B-5 August 2012
C-5 March 2013
D-7 July 2014

CF2B-FGY

D-7 August 2014

CF2B-FS

V-6 December 2010
A-5 January 2011
B-5 January 2012
B-6 May 2012
C-5 January 2013
D-5 February 2014
D-7 July 2014
D-8 September 2014
D-9 October 2014
E-5 January 2015

CF2B-HS

A-5 February 2011
B-6 May 2012
C-5 January 2013
D-5 January 2014
D-6 June 2014
D-7 July 2014
D-8 September 2014
D-9 November 2014

CR3B-FG

C-5 August 2013
D-5 January 2014

CR3B-FGY

D-5 June 2014
D-6 July 2014
D-8 September 2014
E-5 January 2015
E-7 June 2015

CR3B-FS

A-5 February 2011
B-5 January 2012
B-6 May 2012
C-5 January 2013
D-5 January 2014
D-6 May 2014
D-7 July 2014
D-8 October 2014

CR3B-HS

A-5 March 2011
B-5 April 2012
B-6 May 2012
C-5 July 2013
D-6 June 2014
D-7 September 2014

CF3B-FS

A-5 January 2011
B-5 January 2012
B-6 May 2012
D-5 February 2014
D-6 June 2014
D-7 August 2014
D-8 September 2014
D-9 November 2014
E-5 January 2015

CF3B-HS

B-6 May 2012
C-5 June 2012
D-6 June 2014
D-7 September 2014
D-8 November 2014

Beginning Serial Numbers for Control Module Change

| | | | | | |
|---------|---------|---------|--------------|---------|--------------|
| CR1B-FG | B50031B | CR2B-FG | B6 and later | CR3B-HS | B50001D |
| CR1B-FS | B50602B | CR2B-FS | B50722C | CF3B-FS | B50053B |
| CR1B-HS | B50046B | CR2B-HS | B50011B | CF3B-HS | B6 and later |
| CF1B-FG | B50004D | CF2B-FS | B50642B | | |
| CF1B-FS | B50482C | CF2B-HS | B6 and later | | |
| CF1B-HS | B50101B | CR3B-FS | B50082C | | |

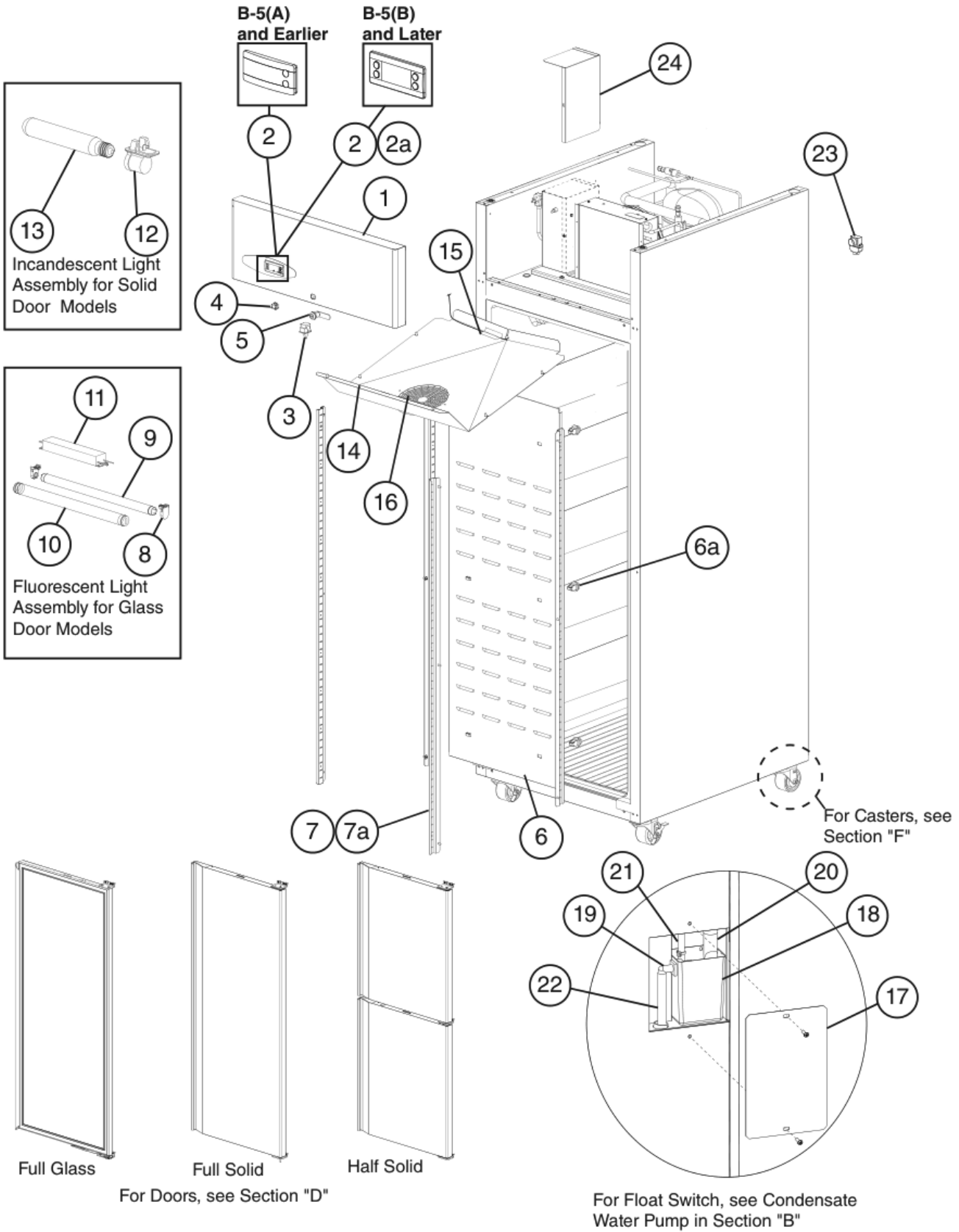
Auxiliary Code Breakdown

The auxiliary code is the first two characters in the serial number. The first character indicates the year. Years progress or regress in alphabetical order. The series runs from "A" through "V" and the letters "I" and "O" are skipped. The second character indicates significant part changes within a year. Base is "5" and this number advances for each change. In cases where there is a letter in parentheses, this designates the month. This is the last character in the serial number. The series runs from "(A)" through "(M)" and the letter "(I)" is skipped. This designation is only included when identifying a parts change within an auxiliary code.

Note About Ordering Parts

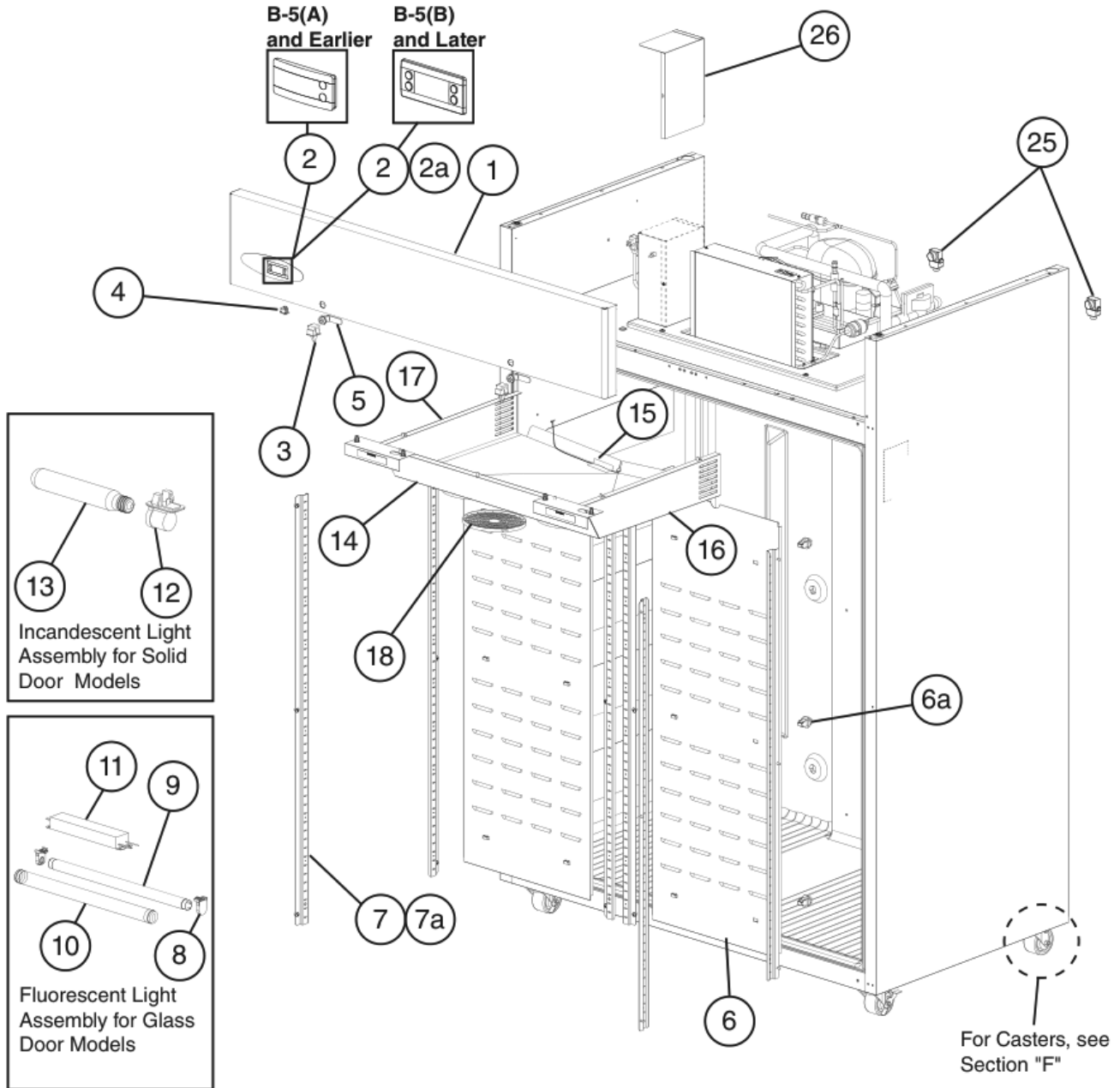
Most assemblies cannot be ordered as complete units; parts in the assemblies generally must be ordered separately.

A. Main Assembly
CR1B-FG/FGY/FS/HS, CF1B-FG/FGY/FS/HS
 V-5 to E-7

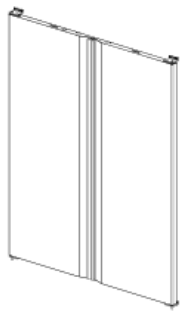


| Title: A. Main Assembly Model: CR1B-FG/FGY/FS/HS, CF1B-FG/FGY/FS/HS | | | | | | | | | | |
|---|--|----------------------------|---------------------------|--|--------------------|---|---------|------------|------------|---|
| Index No. | Description | Material or Model Number | Part Number | Required Number | | | | | | |
| | | | | V-5 to A-5 (F) | A-5 (G) to B-5 (A) | B-5 (B) to B-6 (E) | B-6 (F) | C-5 to D-8 | D-9 to E-7 | |
| 1 | Front Panel | CR1B-FG/FGY CF1B-FG/FGY | 2A6705-01 | 1 | 1 | 1 | 1 | - | | |
| | | | 2A7072-01 | | | | | 1 | 1 | |
| | | CR1B-FS/HS CF1B-FS/HS | 2A5219-01 | 1 | 1 | 1 | 1 | - | | |
| | | | 2A7072-01 | | | | | 1 | 1 | |
| 2 | Display Module (includes mounting clips) | | 4A4862-01 | 1 | 1 | See Page 5 for Exact Beginning Serial Numbers for Control Module Change | | | | |
| | Control Module | CR1B-FG/FGY/ FS/HS | 4A5500G01 | See "C. Control Box Assembly" for Control Module | | 1 | 1 | 1 | 1 | |
| | CF1B-FG/FGY/ FS/HS | 4A5501G01 | 1 | | | 1 | 1 | 1 | | |
| 2a | Control Module Mounting Clip | | 4A5502-01 | | | 2 | 2 | 2 | 2 | |
| 3 | Door Switch | | 3A1826-01 | 1 | 1 | 1 | 1 | 1 | 1 | |
| 4 | Fluorescent Light Switch | CR1B-FG/FGY CF1B-FG/FGY | 4A0418-01 | 1 | 1 | 1 | 1 | 1 | 1 | |
| 5 | Lock (includes 2 keys) | | 4A4924-01 | 1 | 1 | 1 | 1 | 1 | 1 | |
| 6 | Rear Duct Panel | | 2A5205-01 | 1 | 1 | 1 | 1 | 1 | 1 | |
| 6a | Duct Stand Off | | 4A4874-01 | 6 | 6 | 6 | 6 | 6 | 6 | |
| 7 | Pilaster | | 3A0145-02 | 4 | 4 | 4 | 4 | 4 | 4 | |
| 7a | Truss Head Screw | 5x10, SS | 7C32-0510 | 12 | 12 | 12 | 12 | 12 | 12 | |
| 8 | Fluorescent Light Mount | CR1B-FG/FGY CF1B-FG/FGY | 4A4346-01 | 2 | 2 | 2 | 2 | 2 | 2 | |
| 9 | Fluorescent Light Bulb | | 4A4347-02 | 1 | 1 | 1 | 1 | 1 | 1 | |
| 10 | Fluorescent Light Bulb Guard | | 4A4348-02 | 1 | 1 | 1 | 1 | 1 | 1 | |
| 11 | Fluorescent Light Ballast | | 4A4350-01 | 1 | 1 | 1 | 1 | 1 | 1 | |
| 12 | Incandescent Light Socket | CR1B-FS/HS CF1B-FS/HS | 4A4443-01 | 1 | 1 | 1 | 1 | 1 | 1 | |
| 13 | Incandescent Light Bulb | | 4A4444-01 | 1 | 1 | 1 | 1 | 1 | 1 | |
| 14 | Evaporator Fan Shroud | | 3A6446G01 | 1 | 1 | 1 | 1 | 1 | 1 | |
| 15 | Drain Tube Heater | CF1B-FG/FGY/ FS/HS | 4A2975-05 | | 1 | 1 | 1 | 1 | - | |
| | | | 4A2975-07 | | | | | | 1 | |
| 16 | Evaporator Fan Guard | | 4A4860-01 | 1 | 1 | 1 | 1 | 1 | 1 | |
| 17 | Reservoir Cover | | 3A5898-01 | 1 | 1 | 1 | 1 | 1 | 1 | |
| 18 | Drain Reservoir | | 3A5565-01 | 1 | 1 | 1 | 1 | 1 | 1 | |
| 19 | Drain Fitting | | 4A2792-01 | 1 | 1 | 1 | 1 | 1 | 1 | |
| 20 | Drain Boot | | 4A4938-01 | 1 | 1 | 1 | 1 | 1 | 1 | |
| 21 | PVC Tubing | L=650 mm | 771611438 | 1 | 1 | 1 | 1 | 1 | 1 | |
| 22 | Silicone Hose | L=150 mm | 773013812 | 1 | 1 | 1 | 1 | 1 | 1 | |
| 23 | Pressure Relief Valve | CF1B-FGY/FS/ HS | 4A5694-01 | | | | | | 1 | |
| 24 | Control Box Cover | | 2A5209-01 | 1 | 1 | 1 | - | | | |
| | | | 2A6750-01 | | | | | 1 | 1 | 1 |

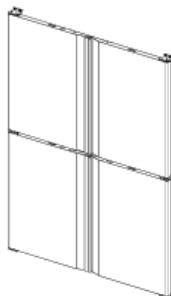
A. Main Assembly
CR2B-FG/FGY/FS/HS, CF2B-FG/FGY/FS/HS
 V-5 to E-7



Full Glass

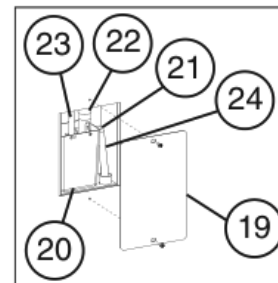


Full Solid



Half Solid

For Doors, see Sections "D" and "E"



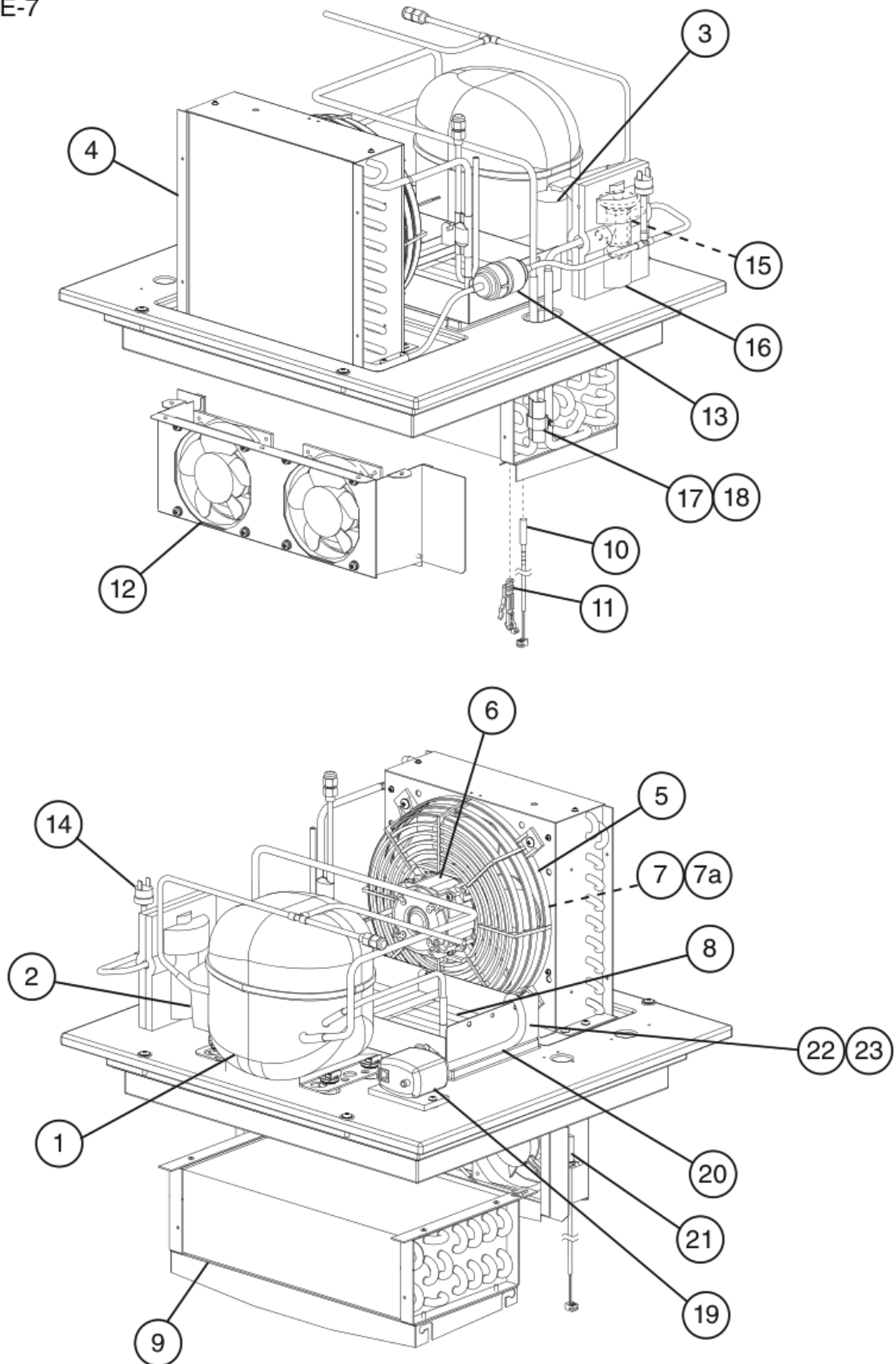
For Float Switch, see Condensate Water Pump in Section "B"

| Title: A. Main Assembly Model: CR2B-FG/FGY/FS/HS, CF2B-FG/FGY/FS/HS | | | | | | | | | | | |
|---|--|----------------------------|-------------|--|--------------------|---|---------|------------|------------|---|--|
| Index No. | Description | Material or Model Number | Part Number | Required Number | | | | | | | |
| | | | | V-5 to A-5 (F) | A-5 (G) to B-5 (A) | B-5 (B) to B-6 (E) | B-6 (F) | C-5 to D-8 | D-9 to E-7 | | |
| 1 | Front Panel | CR2B-FG/FGY | 2A6706-01 | | 1 | 1 | 1 | - | | | |
| | | | 2A7073-01 | | | | 1 | 1 | | | |
| | | CR2B-FS/HS CF2B-FS/HS | 2A5884-01 | 1 | 1 | 1 | 1 | - | | | |
| | | | 2A7073-01 | | | | | 1 | 1 | | |
| 2 | Display Module (includes mounting clips) | | 4A4862-01 | 1 | 1 | See Page 5 for Exact Beginning Serial Numbers for Control Module Change | | | | | |
| | Control Module | CR2B-FG/FGY/FS/HS | 4A5500G01 | See "C. Control Box Assembly" for Control Module | | 1 | 1 | 1 | 1 | | |
| | | CF2B-FG/FGY/FS/HS | 4A5501G01 | | | 1 | 1 | 1 | 1 | | |
| 2a | Control Module Mounting Clip | | 4A5502-01 | | | 2 | 2 | 2 | 2 | | |
| 3 | Door Switch | | 3A1826-01 | 2 | 2 | 2 | 2 | 2 | 2 | | |
| 4 | Fluorescent Light Switch | CR2B-FG/FGY CF2B-FG/FGY | 4A0418-01 | 1 | 1 | 1 | 1 | 1 | 1 | | |
| 5 | Lock (includes 2 keys) | | 4A4924-01 | 2 | 2 | 2 | 2 | 2 | 2 | | |
| 6 | Rear Duct Panel | | 2A5205-01 | 2 | 2 | 2 | 2 | 2 | 2 | | |
| 6a | Duct Stand Off | | 4A4874-01 | 12 | 12 | 12 | 12 | 12 | 12 | | |
| 7 | Pilaster | | 3A0145-02 | 8 | 8 | 8 | 8 | 8 | 8 | | |
| 7a | Truss Head Screw | 5x10, SS | 7C32-0510 | 24 | 24 | 24 | 24 | 24 | 24 | | |
| 8 | Fluorescent Light Mount | CR2B-FG/FGY CF2B-FG/FGY | 4A4346-01 | 4 | 4 | 4 | 4 | 4 | 4 | | |
| 9 | Fluorescent Light Bulb | | 4A4347-02 | 2 | 2 | 2 | 2 | 2 | 2 | | |
| 10 | Fluorescent Light Bulb Guard | | 4A4348-02 | 2 | 2 | 2 | 2 | 2 | 2 | | |
| 11 | Fluorescent Light Ballast | | 4A4350-01 | 1 | 1 | 1 | 1 | 1 | 1 | | |
| 12 | Incandescent Light Socket | CR2B-FS/HS CF2B-FS/HS | 4A4443-01 | 2 | 2 | 2 | 1 | 2 | 2 | | |
| 13 | Incandescent Light Bulb | | 4A4444-01 | 2 | 2 | 2 | 1 | 2 | 2 | | |
| 14 | Evaporator Fan Shroud | | 3A6212G01 | 1 | 1 | 1 | 1 | 1 | 1 | | |
| 15 | Drain Tube Heater | CF2B-FG/FGY/FS/HS | 4A2975-05 | | 1 | 1 | 1 | 1 | - | | |
| | | | 4A2975-07 | | | | | | 1 | | |
| 16 | Right Evaporator Fan Shroud Side | | 3A6629G01 | 1 | 1 | 1 | 1 | 1 | 1 | | |
| 17 | Left Evaporator Fan Shroud Side | | 3A6638G01 | 1 | 1 | 1 | 1 | 1 | 1 | | |
| 18 | Evaporator Fan Guard | | 4A4860-01 | 3 | 3 | 3 | 3 | 3 | 3 | | |
| 19 | Reservoir Cover | | 3A5898-01 | 1 | 1 | 1 | 3 | 1 | 1 | | |
| 20 | Drain Reservoir | | 3A5565-01 | 1 | 1 | 1 | 3 | 1 | 1 | | |
| 21 | Drain Fitting | | 4A2792-01 | 1 | 1 | 1 | 3 | 1 | 1 | | |
| 22 | Drain Boot | | 4A4938-01 | 1 | 1 | 1 | 1 | 1 | 1 | | |
| 23 | PVC Tubing | L=860 mm | 7716I1438 | 1 | 1 | 1 | 1 | 1 | 1 | | |
| 24 | Silicone Hose | L=150 mm | 7730I3812 | 1 | 1 | 1 | 1 | 1 | 1 | | |
| 25 | Pressure Relief Valve | CF2B-FGY/FS/HS | 4A5694-01 | | | | | | 2 | | |
| 26 | Control Box Cover | CR2B-FG/FGY/FS/HS | 2A5209-01 | 1 | 1 | 1 | - | | | | |
| | | | 2A6750-01 | | | | 1 | 1 | 1 | | |
| | | CF2B-FS/HS | 2A6176-01 | 1 | 1 | 1 | - | | | | |
| | | | 2A6751-01 | | | | | 1 | 1 | 1 | |

| Title: A. Main Assembly Model: CR3B-FG/FGY/FS/HS, CF3B-FS/HS | | | | | | | | | | |
|--|--|--------------------------|-------------|--|--------------------|---|----------------|------------|--|--|
| Index No. | Description | Material or Model Number | Part Number | Required Number | | | | | | |
| | | | | A-5 (A-F) | A-5 (G) to B-5 (A) | B-5 (B) to B-6 (E) | B-6 (F) to D-8 | D-9 to E-7 | | |
| 1 | Front Panel | CR3B-FG/FGY | 2A6416-01 | 1 | 1 | - | | | | |
| | | | 2A7074-01 | | | 1 | 1 | 1 | | |
| | | CR3B-FS/HS CF3B-FS/HS | 2A6416-01 | 1 | 1 | - | | | | |
| | | | 2A7074-01 | | | 1 | 1 | 1 | | |
| 2 | Display Module (includes mounting clips) | | 4A4862-01 | 2 | 2 | See Page 5 for Exact Beginning Serial Numbers for Control Module Change | | | | |
| | Control Module | CR3B-FG/FGY/FS/HS | 4A5500G01 | See "C. Control Box Assembly" for Control Module | 2 | 2 | | | | |
| | | CF3B-FS/HS | 4A5501G01 | | 2 | 2 | | | | |
| 2a | Control Module Mounting Clip | | 4A5502-01 | | 4 | 4 | 4 | | | |
| 3 | Door Switch | | 3A1826-01 | 3 | 3 | 3 | 3 | 3 | | |
| 4 | Flourescent Light Switch | CR3B-FG/FGY | 4A0418-01 | | 2 | 2 | 2 | 2 | | |
| 5 | Lock (includes 2 keys) | | 4A4924-01 | 3 | 3 | 3 | 3 | 3 | | |
| 6 | Rear Duct Panel | | 2A5205-01 | 3 | 3 | 3 | 3 | 3 | | |
| 6a | Duct Stand Off | | 4A4874-01 | 18 | 18 | 18 | 18 | 18 | | |
| 7 | Pilaster | | 3A0145-02 | 12 | 12 | 12 | 12 | 12 | | |
| 7a | Truss Head Screw | 5x10, SS | 7C32-0510 | 36 | 36 | 36 | 36 | 36 | | |
| 8 | Flourescent Light Mount | CR3B-FG/FGY | 4A4346-01 | 2 | 2 | 2 | 2 | 2 | | |
| 9 | Flourescent Light Bulb | | 4A4347-02 | 1 | 1 | 1 | 1 | 1 | | |
| 10 | Flourescent Light Bulb Guard | | 4A4348-02 | 1 | 1 | 1 | 1 | 1 | | |
| 11 | Flourescent Light Ballast | | 4A4350-01 | 1 | 1 | 1 | 1 | 1 | | |
| 12 | Incandescent Light Socket | CR3B-FS/HS | 4A4443-01 | 3 | 3 | 3 | 3 | 3 | | |
| 13 | Incandescent Light Bulb | | 4A4444-01 | 3 | 3 | 3 | 3 | 3 | | |
| 14 | Evaporator Fan Shroud | One Section | 3A6446G01 | 1 | 1 | 1 | 1 | 1 | | |
| | | Two Section | 3A6212G01 | 1 | 1 | 1 | 1 | 1 | | |
| 15 | Drain Tube Heater | CF3B-FS/HS | 4A2975-05 | | 2 | 2 | 2 | - | | |
| | | | 4A2975-07 | | | | | 2 | | |
| 16 | Right Evaporator Fan Shroud Side | | 3A6629G01 | 1 | 1 | 1 | 1 | 1 | | |
| 17 | Left Evaporator Fan Shroud Side | | 3A6638G01 | 1 | 1 | 1 | 1 | 1 | | |
| 18 | Evaporator Fan Guard | | 4A4860-01 | 4 | 4 | 4 | 4 | 1 | | |
| 19 | Reservoir Cover | | 3A5898-01 | 2 | 2 | 2 | 2 | 2 | | |
| 20 | Drain Reservoir | | 3A5565-01 | 2 | 2 | 2 | 2 | 2 | | |
| 21 | Drain Fitting | | 4A2792-01 | 2 | 2 | 2 | 2 | 2 | | |
| 22 | Drain Boot | | 4A4938-01 | 2 | 2 | 2 | 2 | 2 | | |
| 23 | PVC Tubing | One Section, L=650 mm | 771611438 | 1 | 1 | 1 | 1 | 1 | | |
| | | Two Section, L=860 mm | 771611438 | 1 | 1 | 1 | 1 | 1 | | |
| 24 | Silicone Hose | L=150 mm | 773013812 | 2 | 2 | 2 | 2 | 2 | | |
| 25 | Power Cord | CR3B-FG/FGY/FS/HS | 4A5379-01 | 1 | 1 | 1 | 1 | 1 | | |
| | | CF3B-FS/HS | 4A5318-01 | 1 | 1 | 1 | 1 | 1 | | |
| 26 | Pressure Relief Valve | CF3B-FS/HS | 4A5694-01 | | | | | 3 | | |

| Title: A. Main Assembly Model: CR3B-FG/FGY/FS/HS, CF3B-FS/HS | | | | | | | | | | | |
|--|-------------------|------------------------------------|---------------------------|-----------------|--------------------|--------------------|----------------|------------|--|--|--|
| Index No. | Description | Material or Model Number | Part Number | Required Number | | | | | | | |
| | | | | A-5 (A-F) | A-5 (G) to B-5 (A) | B-5 (B) to B-6 (E) | B-6 (F) to D-8 | D-9 to E-7 | | | |
| 27 | Control Box Cover | CR3B-FG/FGY/FS/HS | 2A5209-01 | 2 | 2 | 2 | - | | | | |
| | | | 2A6750-01 | | | | 2 | 2 | | | |
| | | CF3B-FS/HS (One Section) | 2A5209-01 | 1 | 1 | 1 | - | | | | |
| | | | 2A6750-01 | | | | 1 | 1 | | | |
| 28 | Control Box Cover | CF3B-FS/HS (Two Section) | 2A6176-01 | 1 | 1 | 1 | - | | | | |
| | | | 2A6751-01 | | | | 1 | 1 | | | |

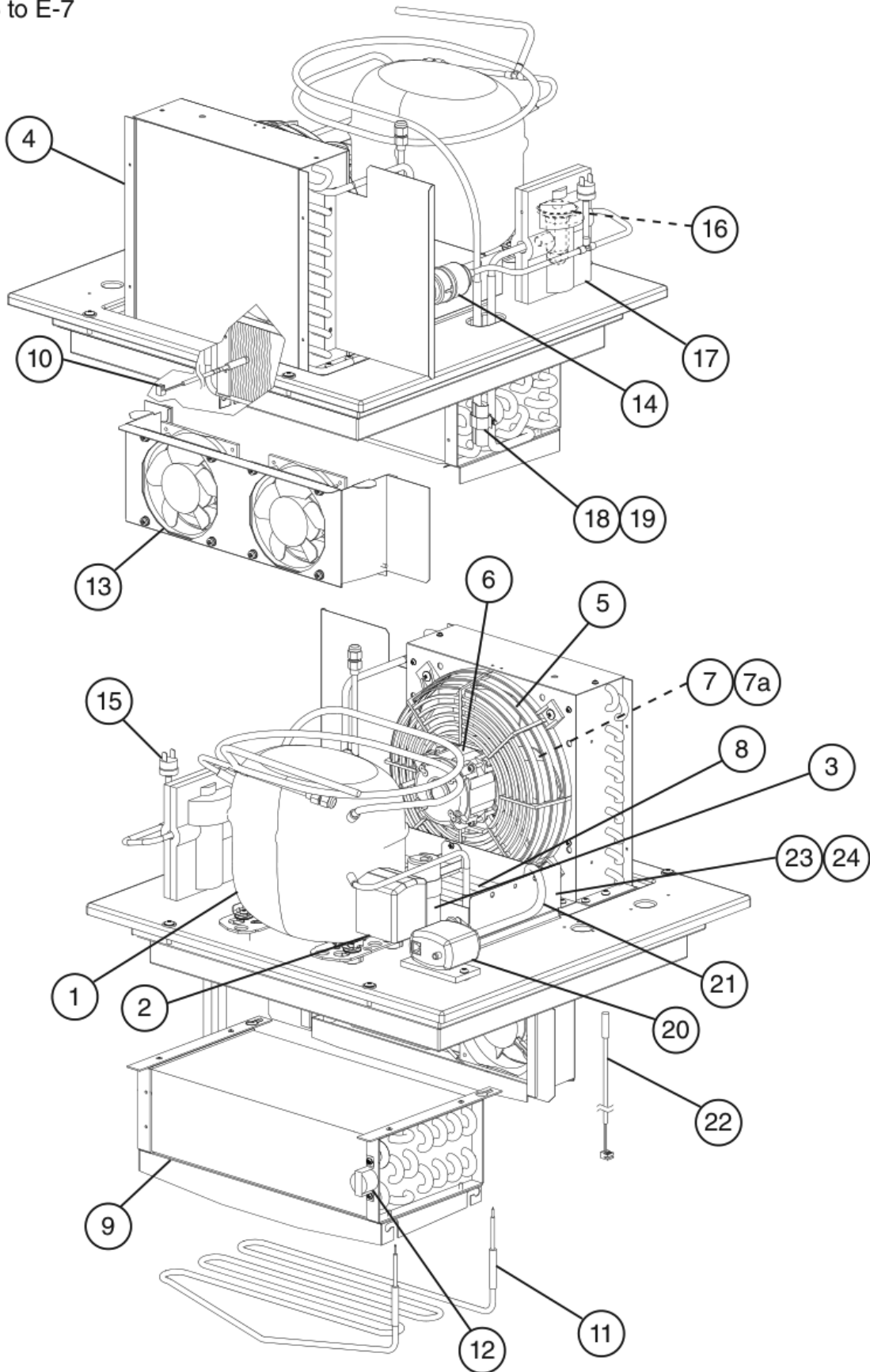
B. Refrigeration Circuit
CR1B-FG/FGY/FS/HS, CR3B-FG/FGY/FS/HS
 V-5 to E-7



Title: B. Refrigeration Circuit Model: CR1B-FG/FGY/FS/HS, CR3B-FG/FGY/FS/HS

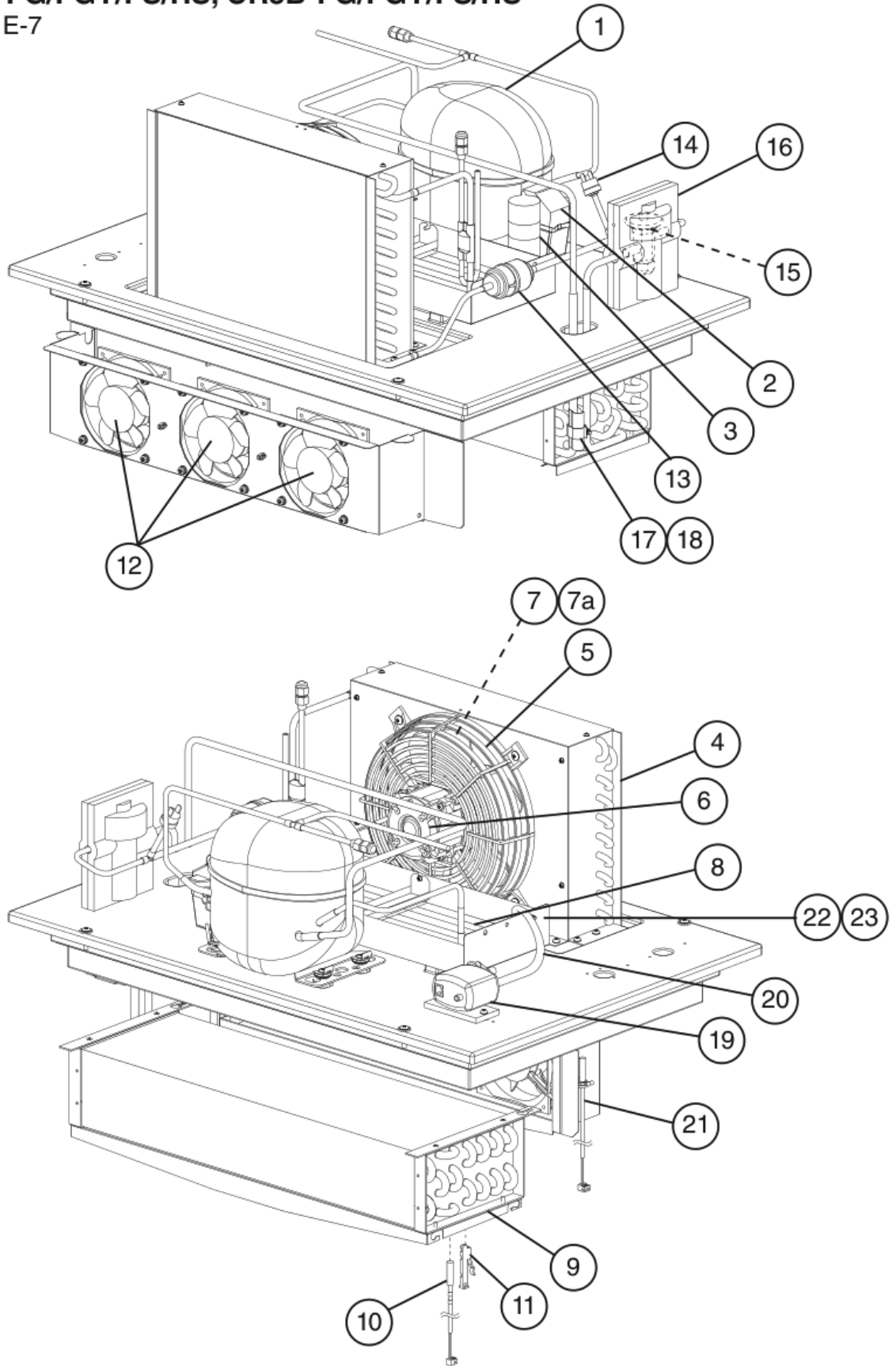
| Index No. | Description | Material or Model Number | Part Number | Required Number | | | | | | | | |
|-----------|---|--------------------------|---------------------------|-----------------|--------------------|--------------------|----------------|------------|--|--|--|--|
| | | | | V-5 to A-5 (G) | A-5 (H) to B-5 (A) | B-5 (B) to B-5 (G) | B-5 (H) to D-7 | D-8 to E-7 | | | | |
| 1 | Compressor | | 4A3177-01 | 1 | 1 | 1 | 1 | 1 | | | | |
| 2 | Start Relay | | 4A2135-03 | 1 | 1 | 1 | 1 | 1 | | | | |
| 3 | Start Capacitor | 280MFD, 125/165VAC | 4A2134-01 | 1 | 1 | 1 | 1 | 1 | | | | |
| 4 | Condenser | | 2A6415-01 | 1 | 1 | 1 | 1 | 1 | | | | |
| 5 | Condenser Fan Guard | | 2A5187-01 | 1 | 1 | 1 | 1 | 1 | | | | |
| 6 | Condenser Fan Motor | | 4A4869-01 | 1 | 1 | - | | | | | | |
| | | | 4A5498-01 | | | 1 | 1 | 1 | | | | |
| 7 | Condenser Fan Blade | | 3A5817-01 | 1 | 1 | 1 | 1 | 1 | | | | |
| 7a | Washer | | 3A6852-01 | | 1 | 1 | 1 | - | | | | |
| 8 | Condensate Tubing | | 3A6465G01 | 1 | 1 | 1 | 1 | 1 | | | | |
| 9 | Evaporator | | 2A6463-01 | 1 | 1 | 1 | 1 | 1 | | | | |
| 10 | Defrost Thermistor | | 4A4865-02 | 1 | 1 | 1 | 1 | 1 | | | | |
| 11 | Thermistor Clip | | 4A3248G01 | 1 | 1 | 1 | 1 | 1 | | | | |
| 12 | Evaporator Fan | | 4A5343-01 | 2 | 2 | 2 | 2 | 2 | | | | |
| 13 | Drier | | 4A1113-01 | 1 | 1 | 1 | 1 | 1 | | | | |
| 14 | High-Pressure Switch | | 4A2516-01 | 1 | 1 | 1 | 1 | 1 | | | | |
| 15 | Thermostatic Expansion Valve | | 4A4597-01 | 1 | 1 | 1 | 1 | 1 | | | | |
| 16 | Thermostatic Expansion Valve Cover | | 4A4646-01 | 1 | 1 | 1 | 1 | 1 | | | | |
| 17 | Thermostatic Expansion Valve Bulb Holder | | 3A0107-01 | 1 | 1 | 1 | 1 | 1 | | | | |
| 18 | Clamp | | 443461-01 | 1 | 1 | 1 | 1 | 1 | | | | |
| 19 | Condensate Water Pump (includes float switch) | | SP-5080 | 1 | 1 | 1 | - | | | | | |
| | | | 4A5546-01 | | | | 1 | 1 | | | | |
| 20 | PVC Tubing | L=350 mm | 771611438 | 1 | 1 | 1 | 1 | 1 | | | | |
| 21 | Cabinet Thermistor | | 4A4864-01 | 1 | 1 | 1 | 1 | 1 | | | | |
| 22 | Condensate Pan | | 2A7315-01 | 1 | 1 | 1 | 1 | 1 | | | | |
| 23 | Condensate Pan Strap | | 3A8245-01 | 1 | 1 | 1 | 1 | 1 | | | | |

B. Refrigeration Circuit
CF1B-FG/FGY/FS/HS, CF3B-FS/HS
 A-5 to E-7



| Title: B. Refrigeration Circuit Model: CF1B-FG/FGY/FS/HS, CF3B-FS/HS | | | | | | | | | | | | |
|--|---|--------------------------|-------------|-----------------|--------------------|--------------------|----------------|-----|------------|--|--|--|
| Index No. | Description | Material or Model Number | Part Number | Required Number | | | | | | | | |
| | | | | A-5 (A-G) | A-5 (H) to B-5 (A) | B-5 (B) to B-5 (G) | B-5 (H) to D-7 | D-8 | D-9 to E-7 | | | |
| 1 | Compressor | | 4A3808-01 | 1 | 1 | 1 | 1 | 1 | 1 | | | |
| 2 | Start Relay | | 4A3113-01 | 1 | 1 | 1 | 1 | 1 | 1 | | | |
| 3 | Start Capacitor | 240MFD, 125/165VAC | 4A2134-03 | 1 | 1 | 1 | 1 | 1 | 1 | | | |
| 4 | Condenser | | 2A6415-01 | 1 | 1 | 1 | 1 | 1 | 1 | | | |
| 5 | Condenser Fan Guard | | 2A5187-01 | 1 | 1 | 1 | 1 | 1 | 1 | | | |
| 6 | Condenser Fan Motor | | 4A4869-01 | 1 | 1 | - | | | | | | |
| | | | 4A5498-01 | | | 1 | 1 | 1 | 1 | | | |
| 7 | Condenser Fan Blade | | 3A5817-01 | 1 | 1 | 1 | 1 | 1 | 1 | | | |
| 7a | Washer | | 3A6852-01 | | 1 | 1 | 1 | - | | | | |
| 8 | Condensate Tubing | | 3A6465G01 | 1 | 1 | 1 | 1 | 1 | 1 | | | |
| 9 | Evaporator | | 2A6463-01 | 1 | 1 | 1 | 1 | 1 | 1 | | | |
| 10 | Defrost Thermistor | | 4A4865-01 | 1 | 1 | 1 | 1 | 1 | 1 | | | |
| 11 | Defrost Heater | | 2A5378-01 | 1 | 1 | 1 | 1 | 1 | - | | | |
| | | | 2A7575-01 | | | | | | 1 | | | |
| 12 | Defrost Thermostat | | 4A0954-02 | 1 | 1 | 1 | 1 | 1 | 1 | | | |
| 13 | Evaporator Fan Motor | | 4A5343-01 | 2 | 2 | 2 | 2 | 2 | 2 | | | |
| 14 | Drier | | 4A1113-01 | 1 | 1 | 1 | 1 | 1 | 1 | | | |
| 15 | High-Pressure Switch | | 4A2516-02 | 1 | 1 | 1 | 1 | 1 | 1 | | | |
| 16 | Thermostatic Expansion Valve | | 4A5344-01 | 1 | 1 | 1 | 1 | 1 | 1 | | | |
| 17 | Thermostatic Expansion Valve Cover | | 4A4646-01 | 1 | 1 | 1 | 1 | 1 | 1 | | | |
| 18 | Thermostatic Expansion Valve Bulb Holder | | 3A0107-01 | 1 | 1 | 1 | 1 | 1 | 1 | | | |
| 19 | Clamp | | 443461-01 | 1 | 1 | 1 | 1 | 1 | 1 | | | |
| 20 | Condensate Water Pump (includes Float Switch) | | SP-5080 | 1 | 1 | 1 | - | | | | | |
| | | | 4A5546-01 | | | | 1 | 1 | 1 | | | |
| 21 | PVC Tubing | L=350 mm | 771611438 | 1 | 1 | 1 | 1 | 1 | 1 | | | |
| 22 | Cabinet Thermistor | | 4A4864-01 | 1 | 1 | 1 | 1 | 1 | 1 | | | |
| 23 | Condensate Pan | | 2A7315-01 | 1 | 1 | 1 | 1 | 1 | 1 | | | |
| 24 | Condensate Pan Strap | | 3A8245-01 | 1 | 1 | 1 | 1 | 1 | 1 | | | |

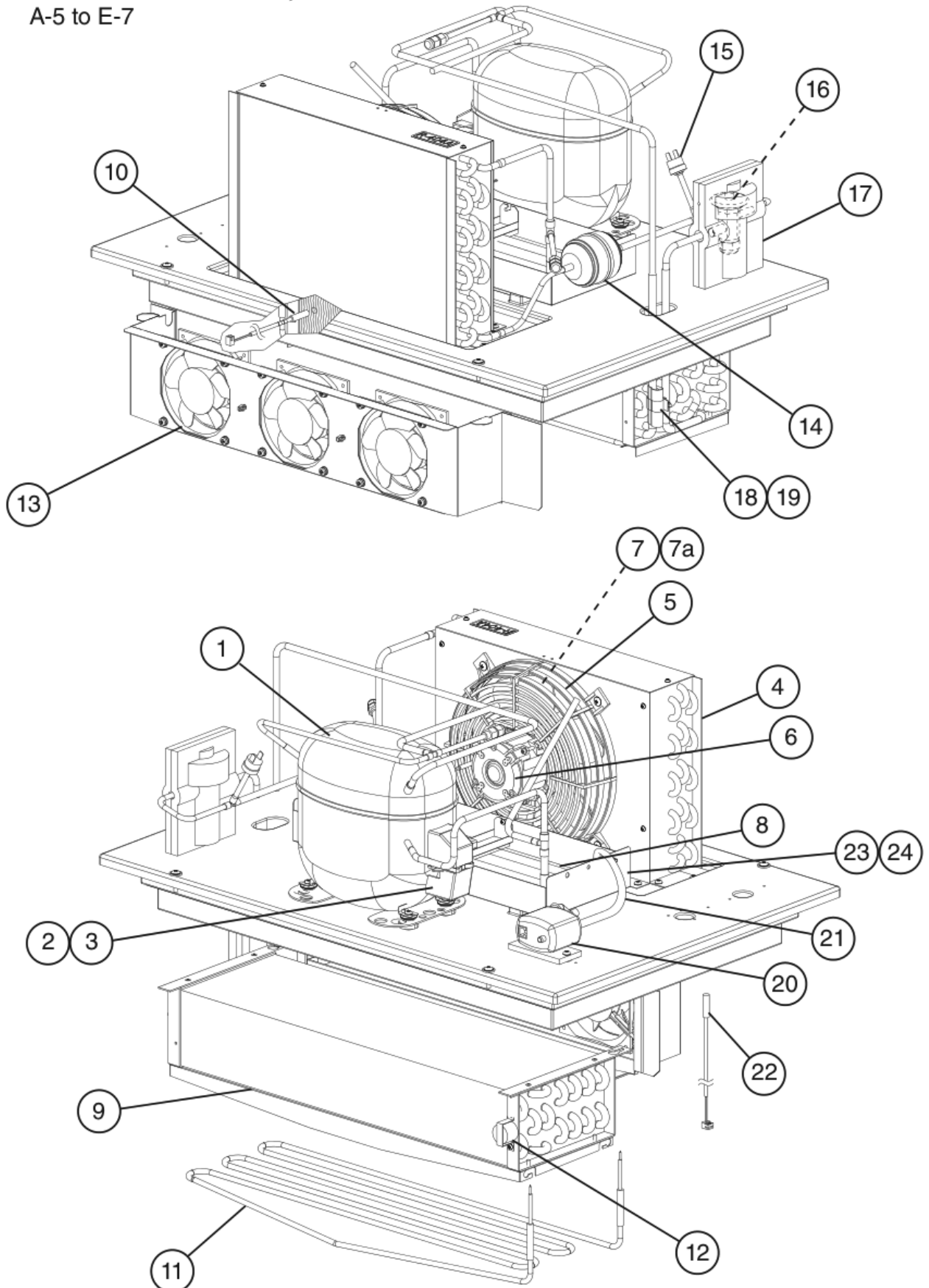
B. Refrigeration Circuit
CR2B-FG/FGY/FS/HS, CR3B-FG/FGY/FS/HS
 A-5 to E-7



Title: B. Refrigeration Circuit Model: CR2B-FG/FGY/FS/HS, CR3B-FG/FGY/FS/HS

| Index No. | Description | Material or Model Number | Part Number | Required Number | | | | | | | | |
|-----------|---|--------------------------|-------------|-----------------|--------------------|--------------------|----------------|------------|--|--|--|--|
| | | | | A-5 (A-G) | A-5 (H) to B-5 (A) | B-5 (B) to B-5 (G) | B-5 (H) to D-7 | D-8 to E-7 | | | | |
| 1 | Compressor | | 4A3958-01 | 1 | 1 | 1 | 1 | 1 | | | | |
| 2 | Start Relay | | 4A2135-04 | 1 | 1 | 1 | 1 | 1 | | | | |
| 3 | Start Capacitor | | 4A2134-01 | 1 | 1 | 1 | 1 | 1 | | | | |
| 4 | Condenser | | 2A5862-01 | 1 | 1 | 1 | 1 | 1 | | | | |
| 5 | Condenser Fan Guard | | 2A5187-01 | 1 | 1 | 1 | 1 | 1 | | | | |
| 6 | Condenser Fan Motor | | 4A4869-01 | 1 | 1 | - | | | | | | |
| | | | 4A5498-01 | | | 1 | 1 | 1 | | | | |
| 7 | Condenser Fan Blade | | 3A5817-01 | 1 | 1 | 1 | 1 | 1 | | | | |
| 7a | Washer | | 3A6852-01 | | 1 | 1 | 1 | - | | | | |
| 8 | Condensate Tubing | | 3A6511G01 | 1 | 1 | 1 | 1 | 1 | | | | |
| 9 | Evaporator | | 2A6464-01 | 1 | 1 | 1 | 1 | 1 | | | | |
| 10 | Defrost Thermistor | | 4A4865-02 | 1 | 1 | 1 | 1 | 1 | | | | |
| 11 | Thermistor Clip | | 4A3248G01 | 1 | 1 | 1 | 1 | 1 | | | | |
| 12 | Evaporator Fan Motor | | 4A5343-01 | 3 | 3 | 3 | 3 | 3 | | | | |
| 13 | Drier | | 4A1113-01 | 1 | 1 | 1 | 1 | 1 | | | | |
| 14 | High-Pressure Switch | | 4A2516-01 | 1 | 1 | 1 | 1 | 1 | | | | |
| 15 | Thermostatic Expansion Valve | | 4A4598-01 | 1 | 1 | 1 | 1 | 1 | | | | |
| 16 | Thermostatic Expansion Valve Cover | | 4A4646-01 | 1 | 1 | 1 | 1 | 1 | | | | |
| 17 | Thermostatic Expansion Valve Bulb Holder | | 3A0107-01 | 1 | 1 | 1 | 1 | 1 | | | | |
| 18 | Clamp | | 443461-01 | 1 | 1 | 1 | 1 | 1 | | | | |
| 19 | Condensate Water Pump (includes float switch) | | SP-5080 | 1 | 1 | 1 | - | | | | | |
| | | | 4A5546-01 | | | | 1 | 1 | | | | |
| 20 | PVC Tubing | L=350 mm | 771611438 | 1 | 1 | 1 | 1 | 1 | | | | |
| 21 | Cabinet Thermistor | | 4A4864-01 | 1 | 1 | 1 | 1 | 1 | | | | |
| 22 | Condensate Pan | | 2A7315-02 | 1 | 1 | 1 | 1 | 1 | | | | |
| 23 | Condensate Pan Strap | | 3A8245-01 | 1 | 1 | 1 | 1 | 1 | | | | |

B. Refrigeration Circuit
CF2B-FG/FGY/FS/HS, CF3B-FS/HS
 A-5 to E-7



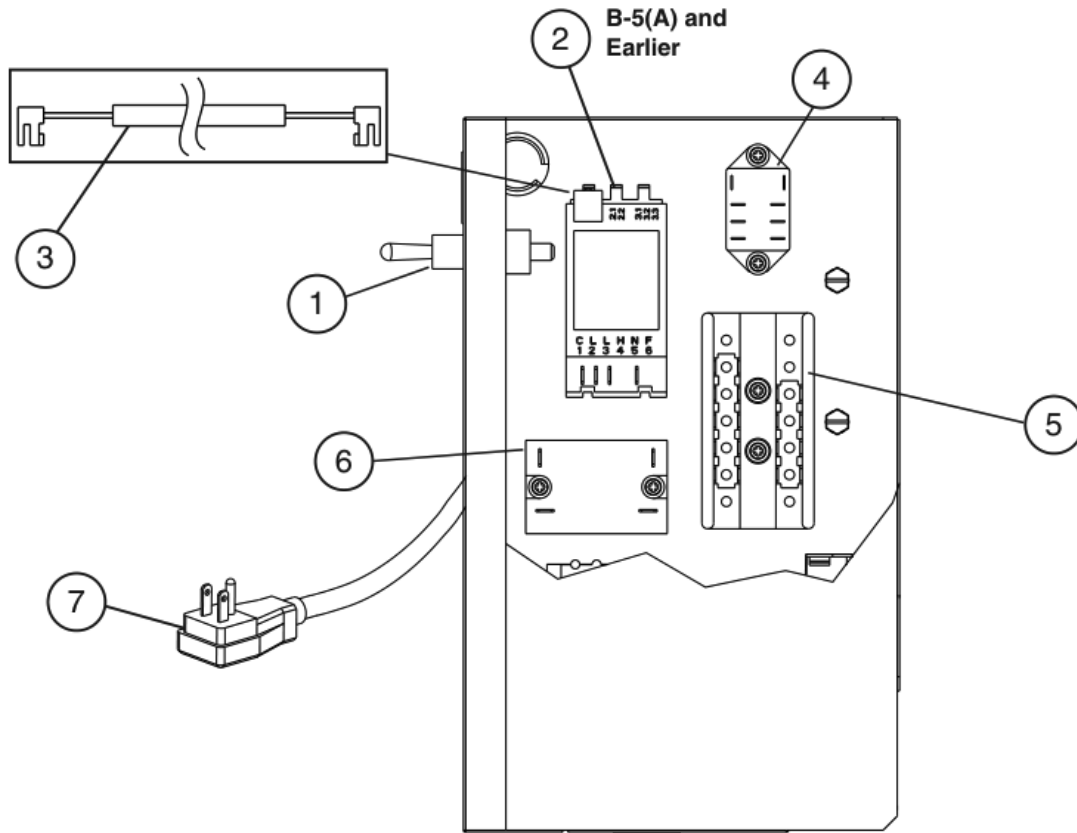
Title: B. Refrigeration Circuit Model: CF2B-FG/FGY/FS/HS, CF3B-FS/HS

| Index No. | Description | Material or Model Number | Part Number | Required Number | | | | | | | | |
|-----------|---|--------------------------|-------------|-----------------|--------------------|--------------------|----------------|-----|------------|---|--|--|
| | | | | A-5 (A-G) | A-5 (H) to B-5 (A) | B-5 (B) to B-5 (G) | B-5 (H) to D-7 | D-8 | D-9 to E-7 | | | |
| 1 | Compressor | | 4A3815-01 | 1 | 1 | 1 | 1 | 1 | 1 | | | |
| 2 | Protector | | 4A3679-01 | 1 | 1 | 1 | 1 | 1 | 1 | | | |
| 3 | Protector Holder | | 4A3680-01 | 1 | 1 | 1 | 1 | 1 | 1 | | | |
| 4 | Condenser | | 2A5902-01 | 1 | 1 | 1 | 1 | 1 | 1 | | | |
| 5 | Condenser Fan Guard | | 2A5187-01 | 1 | 1 | 1 | 1 | 1 | 1 | | | |
| 6 | Condenser Fan Motor | | 4A4869-01 | 1 | 1 | - | | | | | | |
| | | | 4A5498-01 | | | 1 | 1 | 1 | 1 | | | |
| 7 | Condenser Fan Blade | | 3A5817-01 | 1 | 1 | 1 | 1 | 1 | 1 | | | |
| 7a | Washer | | 3A6852-01 | | 1 | 1 | 1 | - | | | | |
| 8 | Condensate Tubing | | 3A6464G01 | 1 | 1 | 1 | 1 | 1 | 1 | | | |
| 9 | Evaporator | | 2A6464-01 | 1 | 1 | 1 | 1 | 1 | 1 | | | |
| 10 | Defrost Thermistor | | 4A4865-01 | 1 | 1 | 1 | 1 | 1 | 1 | | | |
| 11 | Defrost Heater | | 2A5991-01 | 1 | 1 | 1 | 1 | 1 | - | | | |
| | | | 2A7585-01 | | | | | | | 1 | | |
| 12 | Defrost Thermostat | | 4A0954-02 | 1 | 1 | 1 | 1 | 1 | 1 | | | |
| 13 | Evaporator Fan Motor | | 4A5343-01 | 3 | 3 | 3 | 3 | 3 | 3 | | | |
| 14 | Drier | | 4A0924-01 | 1 | 1 | 1 | 1 | 1 | 1 | | | |
| 15 | High-Pressure Switch | | 4A2516-02 | 1 | 1 | 1 | 1 | 1 | 1 | | | |
| 16 | Thermostatic Expansion Valve | | 4A5161-01 | 1 | 1 | 1 | 1 | 1 | 1 | | | |
| 17 | Thermostatic Expansion Valve Cover | | 4A4646-01 | 1 | 1 | 1 | 1 | 1 | 1 | | | |
| 18 | Thermostatic Expansion Valve Bulb Holder | | 3A0107-01 | 1 | 1 | 1 | 1 | 1 | 1 | | | |
| 19 | Clamp | | 443461-01 | 1 | 1 | 1 | 1 | 1 | 1 | | | |
| 20 | Condensate Water Pump (includes float switch) | | SP-5080 | 1 | 1 | 1 | - | | | | | |
| | | | 4A5546-01 | | | | 1 | 1 | 1 | | | |
| 21 | PVC Tubing | L=350 mm | 771611438 | 1 | 1 | 1 | 1 | 1 | 1 | | | |
| 22 | Cabinet Thermistor | | 4A4864-01 | 1 | 1 | 1 | 1 | 1 | 1 | | | |
| 23 | Condensate Pan | | 2A7315-02 | 1 | 1 | 1 | 1 | 1 | 1 | | | |
| 24 | Condensate Pan Strap | | 3A8245-01 | 1 | 1 | 1 | 1 | 1 | 1 | | | |

C. Control Box Assembly

CR1B-FG/FGY/FS/HS, CF1B-FG/FS/HS, CR2B-FG/FGY/FS/HS, CR3B-FG/FGY/FS/HS, CF3B-FS/HS(One Section)

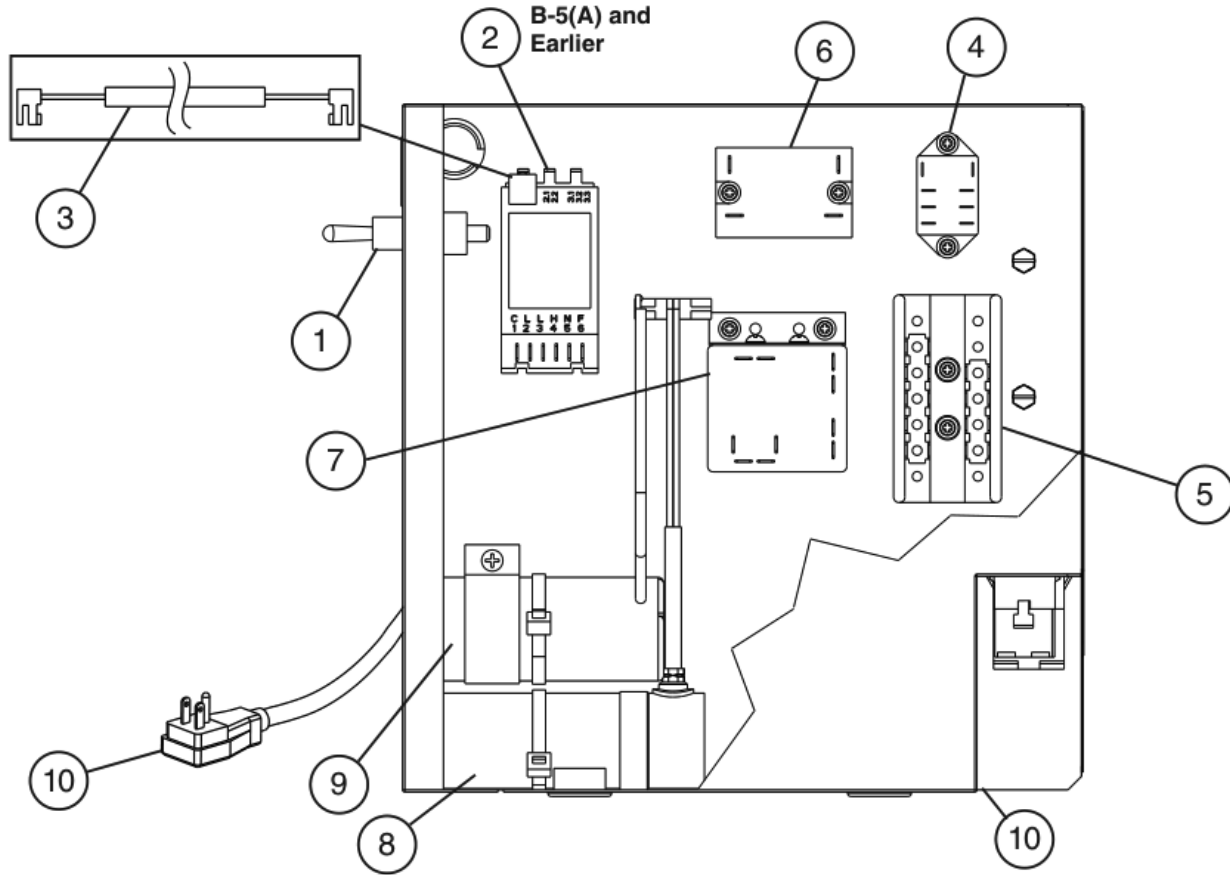
A-5 to E-7



Title: C. Control Box Assembly Model: CR1B-FG/FGY/FS/HS, CF1B-FG/FS/HS, CR2B-FG/FGY/FS/HS, CR3B-FG/FGY/FS/HS, CF3B-FS/HS(One Section)

| Index No. | Description | Material or Model Number | Part Number | Required Number | | | | | | | | |
|-----------|-------------------|--------------------------|------------------------|-----------------|---|----------------|--|--|--|--|--|--|
| | | | | A-5 to B-5 (A) | B-5 (B) to B-6 (E) | B-6 (F) to E-7 | | | | | | |
| 1 | Power Switch | | 4A0424-01 | 1 | 1 | 1 | | | | | | |
| 2 | Control Module | CR_B-XX CF_B-XX | 4A4861-03 4A5101-03 | 1 | See Page 5 for Exact Beginning Serial Numbers for Control Module Change. Later Aux Codes: See "A. Main Assembly" for Control Module | | | | | | | |
| 3 | Display Cable | | 4A4863-01 | 1 | - | | | | | | | |
| 4 | Door Switch Relay | 120VAC | 406132-07 | 1 | 1 | 1 | | | | | | |
| 5 | Terminal Block | | 4A2619-01 | 1 | 1 | 1 | | | | | | |
| 6 | Compressor Relay | 120VAC | 4A1307-01 4A3140-01 | 1 | 1 | - | | | | | | |
| 7 | Power Cord | | 4A0520-01 | 1 | 1 | 1 | | | | | | |

C. Control Box Assembly
CF2B-FG/FGY/FS/HS, CF3B-FS/HS(Two Section)
 A-5 to E-7

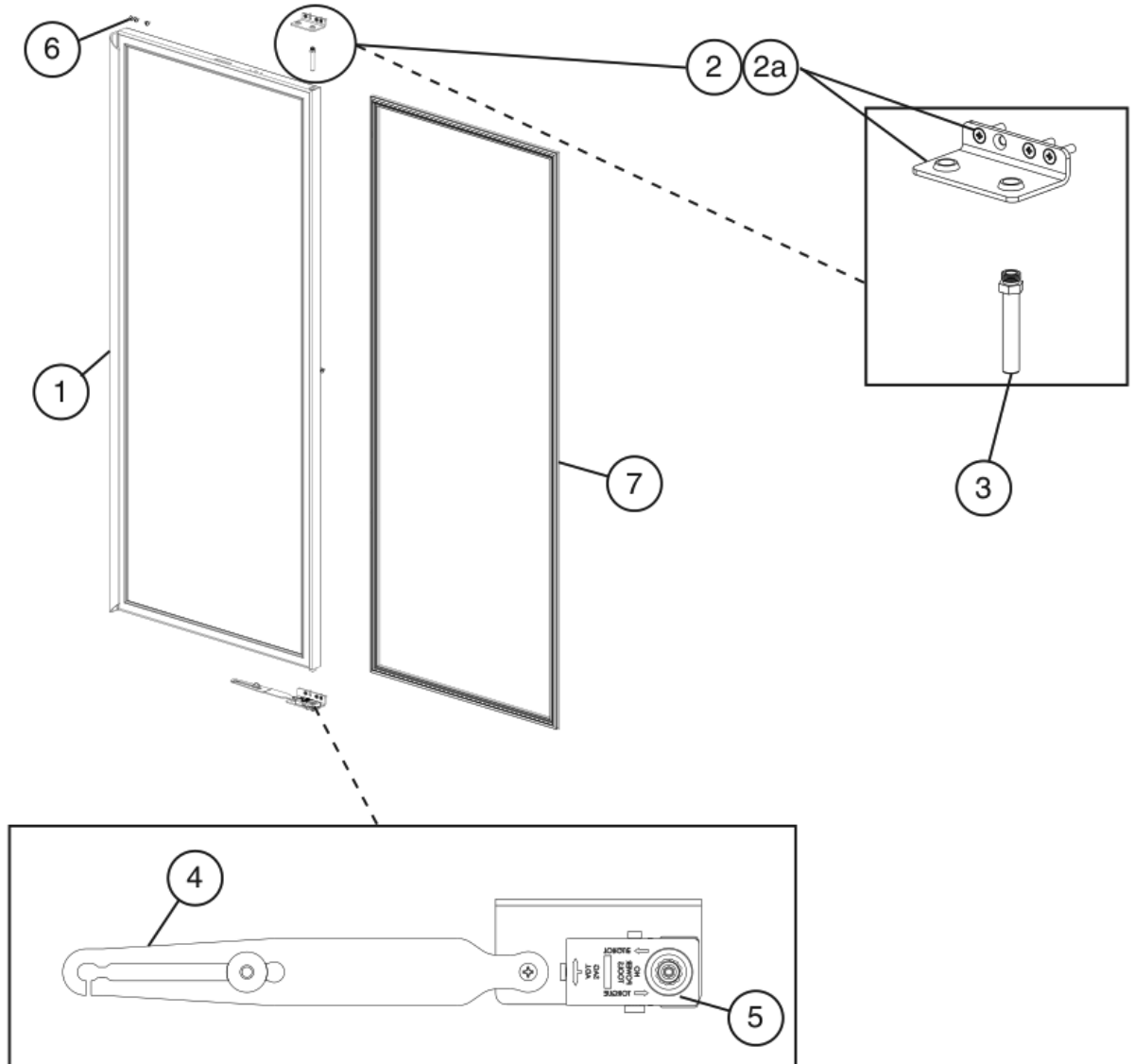


| Title: C. Control Box Assembly Model: CF2B-FG/FGY/FS/HS, CF3B-FS/HS(Two Section) | | | | Required Number | | | | | | | |
|--|-------------------|--------------------------|------------------------|-----------------|---|----------------|--|--|--|--|--|
| Index No. | Description | Material or Model Number | Part Number | A-5 to B-5 (A) | B-5 (B) to B-6 (E) | B-6 (F) to E-7 | | | | | |
| 1 | Power Switch | | 4A0424-01 | 1 | 1 | 1 | | | | | |
| 2 | Control Module | | 4A5101-03 | 1 | See Page 5 for Exact Beginning Serial Numbers for Control Module Change. Later Aux Codes: See "A. Main Assembly" for Control Module | | | | | | |
| 3 | Display Cable | | 4A4863-01 | 1 | - | | | | | | |
| 4 | Door Switch Relay | 120VAC | 406132-07 | 1 | 1 | 1 | | | | | |
| 5 | Terminal Block | | 4A2619-01 | 1 | 1 | 1 | | | | | |
| 6 | Compressor Relay | 120VAC | 4A1307-01 4A3140-01 | 1 | 1 | - | | | | | |
| 7 | Start Relay | | 4A3683-01 | 1 | 1 | 1 | | | | | |
| 8 | Run Capacitor | 23.5MFD, 280VAC | 4A4208-01 | 1 | 1 | 1 | | | | | |
| 9 | Start Capacitor | 410MFD, 125/165VAC | 4A2134-02 | 1 | 1 | 1 | | | | | |
| 10 | Power Cord | | 4A0520-01 | 1 | 1 | 1 | | | | | |

D. Door-Right Hinged

Full Glass: CR1B-FG, CF1B-FG, CR2B-FG, CF2B-FG, CR3B-FG

A-5 to E-7

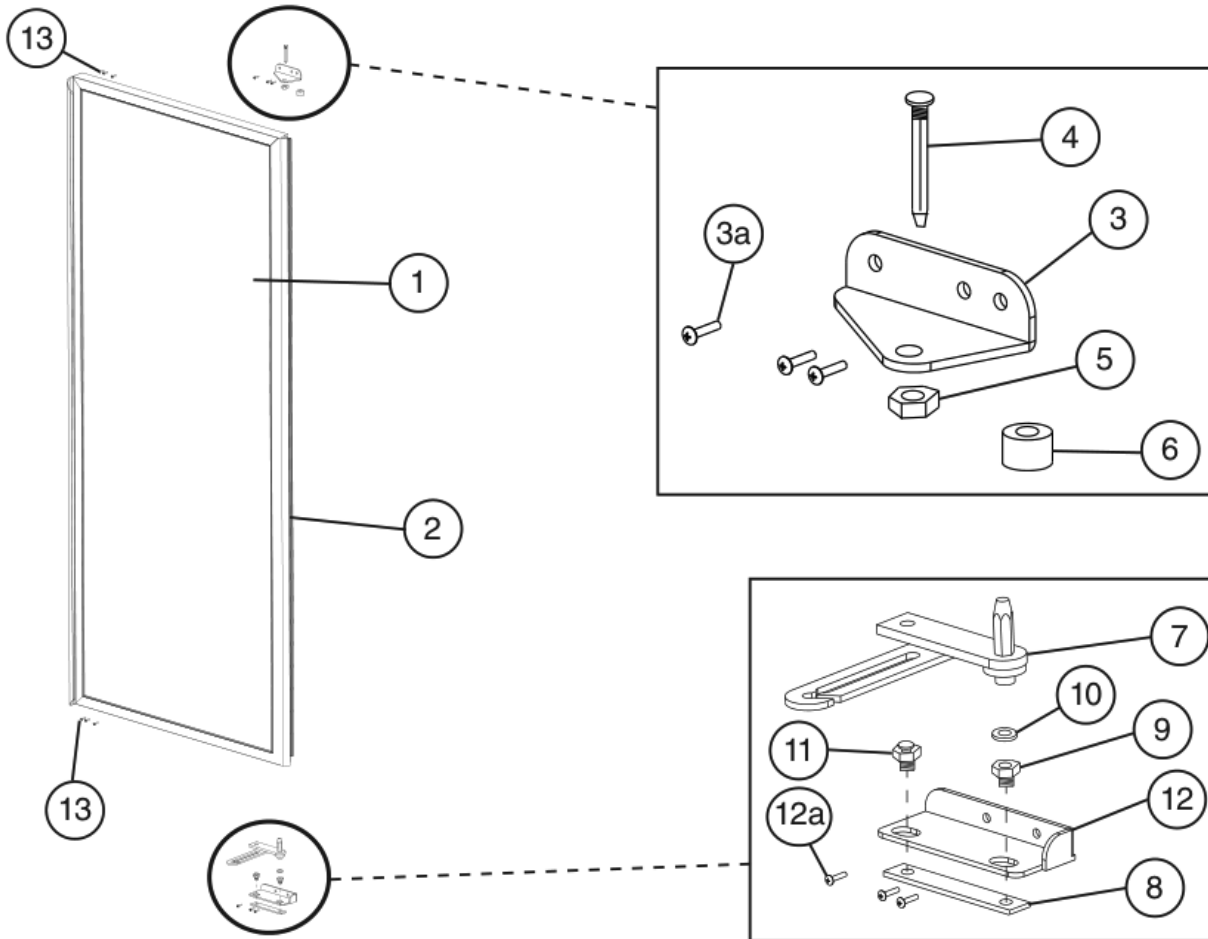


| Title: D. Door-Right Hinged Model: Full Glass: CR1B-FG, CF1B-FG, CR2B-FG, CF2B-FG, CR3B-FG | | | | | | | | | | | | | | |
|--|----------------------------------|--------------------------|-------------|-----------------|--|--|--|--|--|--|--|--|--|--|
| Index No. | Description | Material or Model Number | Part Number | Required Number | | | | | | | | | | |
| | | | | A-5 to E-7 | | | | | | | | | | |
| 1 | Right Glass Door | CR_B-FG | 1A2296-01 | 1 | | | | | | | | | | |
| | | CF_B-FG | 1A2367-01 | 1 | | | | | | | | | | |
| 2 | Upper Hinge Bracket | | 3A6844-01 | 1 | | | | | | | | | | |
| 2a | Countersunk Screw | 5x20, SS | 7C42-0520 | 3 | | | | | | | | | | |
| 3 | Hinge Pin | | 3A6867-01 | 1 | | | | | | | | | | |
| 4 | Arm | | 4A5991-01 | 1 | | | | | | | | | | |
| 5 | Torque Master | | 4A5984-01 | 1 | | | | | | | | | | |
| 6 | Truss Head Screw (filler screws) | 5x10, SS | 7C32-0510 | 8 | | | | | | | | | | |
| 7 | Door Gasket | | 3A6843-01 | 1 | | | | | | | | | | |

D. Door-Right Hinged

Full Glass: CR1B-FGY, CF1B-FGY, CR2B-FGY, CF2B-FGY, CR3B-FGY

D-5 to E-7

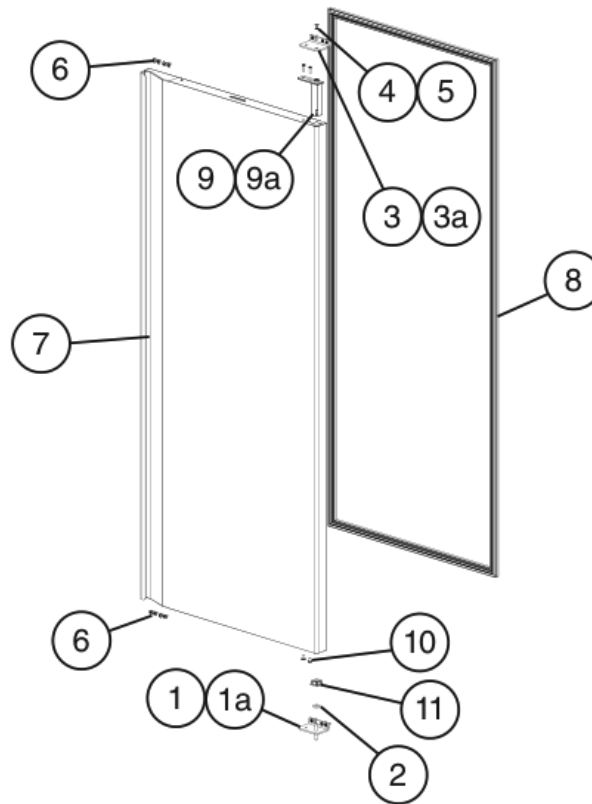


| Title: D. Door-Right Hinged Model: Full Glass: CR1B-FGY, CF1B-FGY, CR2B-FGY, CF2B-FGY, CR3B-FGY | | | | | Required Number | | | | | | | | | | | | | |
|---|---|--------------------------|---------------------------|------------|-----------------|--|--|--|--|--|--|--|--|--|--|--|--|--|
| Index No. | Description | Material or Model Number | Part Number | D-5 to E-7 | | | | | | | | | | | | | | |
| 1 | Right Glass Door (includes items 2 through 10) | CR_B-FGY | 2A7116-02 | 1 | | | | | | | | | | | | | | |
| | | CF_B-FGY | 2A7116-04 | 1 | | | | | | | | | | | | | | |
| 2 | Door Gasket | | 3A7945-01 | 1 | | | | | | | | | | | | | | |
| 3 | Upper Hinge Bracket | | 3A7946-03 | 1 | | | | | | | | | | | | | | |
| 3a | Truss Head Screw (filler screws) | 5x25, SS | 7C32-0525 | 3 | | | | | | | | | | | | | | |
| 4 | Hinge Pin (tension rod) | | 3A7946-04 | 1 | | | | | | | | | | | | | | |
| 5 | Lock Nut | | 3A7946-05 | 1 | | | | | | | | | | | | | | |
| 6 | Upper Bushing | | 3A7946-12 | 1 | | | | | | | | | | | | | | |
| 7 | Lower Hinge | | 3A7946-01 | 1 | | | | | | | | | | | | | | |
| 8 | Backer Plate | | 3A7946-08 | 1 | | | | | | | | | | | | | | |
| 9 | Lower Hinge Bushing | | 3A7946-09 | 1 | | | | | | | | | | | | | | |
| 10 | Nylon Washer | | 3A7946-10 | 1 | | | | | | | | | | | | | | |
| 11 | Slide Pin | | 3A7946-11 | 1 | | | | | | | | | | | | | | |
| 12 | Lower Hinge Bracket | | 3A7946-07 | 1 | | | | | | | | | | | | | | |
| 12a | Truss Head Screw | 5x25, SS | 7C32-0525 | 3 | | | | | | | | | | | | | | |
| 13 | Truss Head Screw (filler screws) | 5x10, SS | 7C32-0510 | 6 | | | | | | | | | | | | | | |

D. Door-Right Hinged

Full Solid: CR1B-FS, CF1B-FS, CR2B-FS, CF2B-FS, CR3B-FS, CF3B-FS

A-5 to E-7

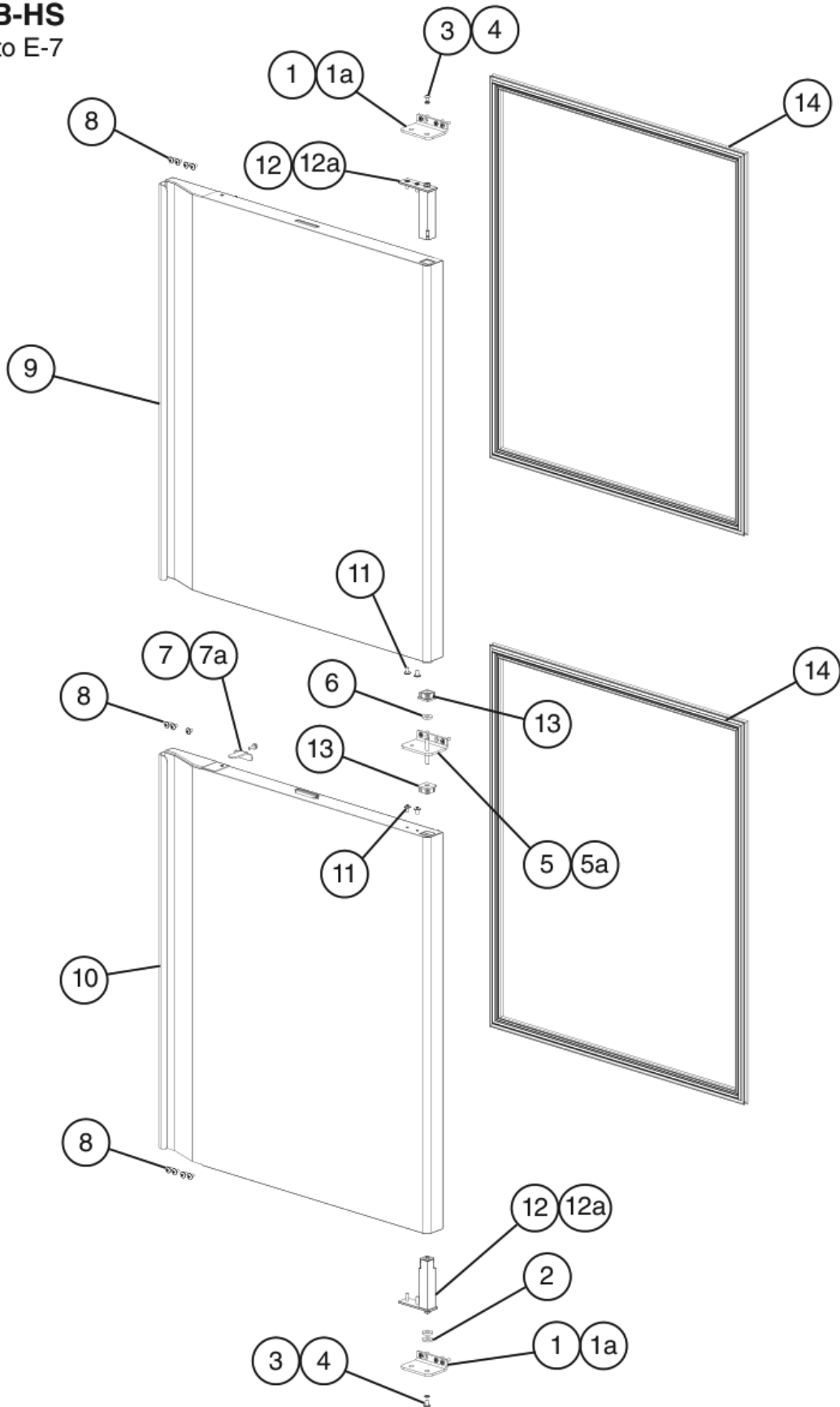


| Title: D. Door-Right Hinged Model: Full Solid: CR1B-FS, CF1B-FS, CR2B-FS, CF2B-FS, CR3B-FS, CF3B-FS | | | | Required Number | | | | | | | |
|---|---|--------------------------|-------------|-----------------|----------------|--|--|--|--|--|--|
| Index No. | Description | Material or Model Number | Part Number | A-5 to B-5 (D) | B-5 (E) to E-7 | | | | | | |
| 1 | Lower Hinge Bracket | | 3A6250G01 | 1 | 1 | | | | | | |
| 1a | Countersunk Screw | 5x20, SS | 7C42-0520 | 3 | 3 | | | | | | |
| 2 | Thrust Washer | | 4A5234-01 | 1 | 1 | | | | | | |
| 3 | Upper Hinge Bracket | | 3A6249-01 | 1 | 1 | | | | | | |
| 3a | Countersunk Screw | 5x20, SS | 7C42-0520 | 3 | 3 | | | | | | |
| 4 | Lock Washer | | 4A5231-01 | 1 | 1 | | | | | | |
| 5 | Screw | | 4A5230-01 | 1 | 1 | | | | | | |
| 6 | Truss Head Screw (filler screws) | 5x10, SS | 7C32-0510 | 8 | 8 | | | | | | |
| 7 | Right Door Assembly (includes items 8 through 11) | CR_B-FS | 2A6258G01 | 1 | - | | | | | | |
| | | | 2A6806G01 | | 1 | | | | | | |
| | | CF_B-FS | 2A6258G01 | 1 | 1 | | | | | | |
| 8 | Door Gasket | | 2A5192-14 | 1 | 1 | | | | | | |
| 9 | Hinge Cartridge | | 3A6258-01 | 1 | 1 | | | | | | |
| 9a | Countersunk Screw | 5x20, SS | 7C42-0520 | 2 | 2 | | | | | | |
| 10 | Truss Head Screw (filler screws) | 5x10, SS | 7C32-0510 | 2 | 2 | | | | | | |
| 11 | Bearing | | 4A5232-01 | 1 | 1 | | | | | | |

D. Door-Right Hinged

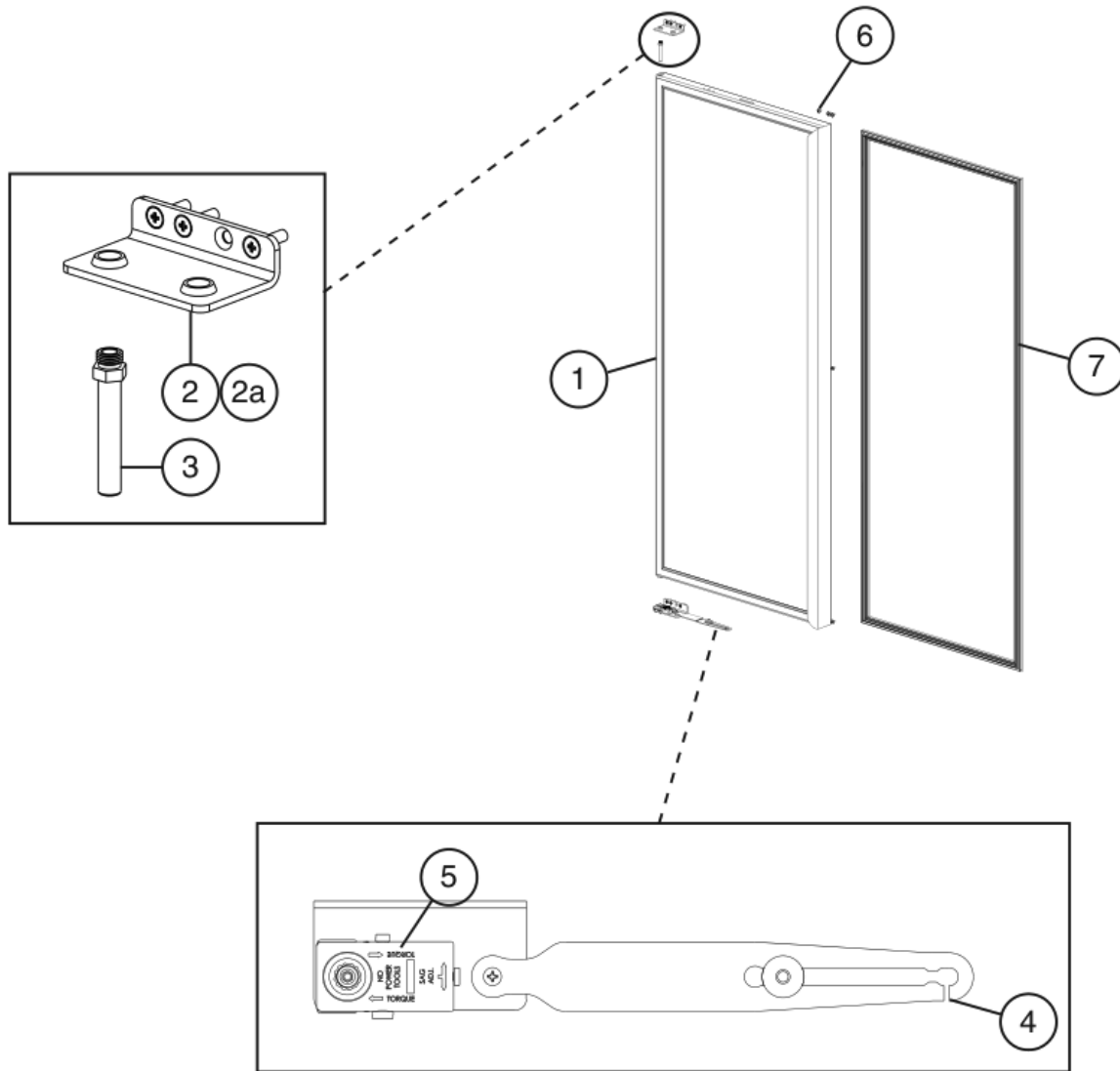
Half Solid: CR1B-HS, CF1B-HS, CR2B-HS, CF2B-HS, CR3B-HS, CF3B-HS

A-5 to E-7



| Title: D. Door-Right Hinged Model: Half Solid: CR1B-HS, CF1B-HS, CR2B-HS, CF2B-HS, CR3B-HS, CF3B-HS | | | | | | | | | | | |
|---|---|--------------------------|-------------|-----------------|----------------|--|--|--|--|--|--|
| Index No. | Description | Material or Model Number | Part Number | Required Number | | | | | | | |
| | | | | A-5 to B-6 (E) | B-6 (F) to E-7 | | | | | | |
| 1 | Upper/Lower Hinge Bracket | | 3A6249-01 | 2 | 2 | | | | | | |
| 1a | Countersunk Screw | 5x20, SS | 7C42-0520 | 6 | 6 | | | | | | |
| 2 | Thrust Washer | | 4A5233-01 | 2 | 2 | | | | | | |
| 3 | Lock Washer | | 4A5231-01 | 2 | 2 | | | | | | |
| 4 | Screw | | 4A5230-01 | 2 | 2 | | | | | | |
| 5 | Middle Hinge Bracket | | 3A6250G01 | 1 | 1 | | | | | | |
| 5a | Countersunk Screw | 5x20, SS | 7C42-0520 | 2 | 2 | | | | | | |
| 6 | Thrust Washer | | 4A5234-01 | 1 | 1 | | | | | | |
| 7 | Half-Door Lock | | 4A5249-01 | 1 | 1 | | | | | | |
| 7a | Bolt | | 449879-08 | 1 | 1 | | | | | | |
| 8 | Truss Head Screw (filler screws) | 5x10, SS | 7C32-0510 | 11 | 11 | | | | | | |
| 9 | Upper Right/Lower Left Door Assembly (includes half the quantity of items 11 through 14) | | 2A6252G01 | 1 | - | | | | | | |
| | | | 2A6804G01 | | 1 | | | | | | |
| 10 | Lower Right/Upper Left Door Assembly (includes half the quantity of items 11 through 14) | | 2A6253G01 | 1 | - | | | | | | |
| | | | 2A6805G01 | | 1 | | | | | | |
| 11 | Truss Head Screw (filler screws) | 5x10, SS | 7C32-0510 | 4 | 4 | | | | | | |
| 12 | Hinge Cartridge | | 3A6258-01 | 2 | 2 | | | | | | |
| 12a | Countersunk Screw | 5x20, SS | 7C42-0520 | 4 | 4 | | | | | | |
| 13 | Bearing | | 4A5232-01 | 2 | 2 | | | | | | |
| 14 | Door Gasket | | 2A5192-02 | 2 | 2 | | | | | | |

E. Door-Left Hinged
Full Glass: CR2B-FG, CF2B-FG, CR3B-FG
 A-5 to E-7

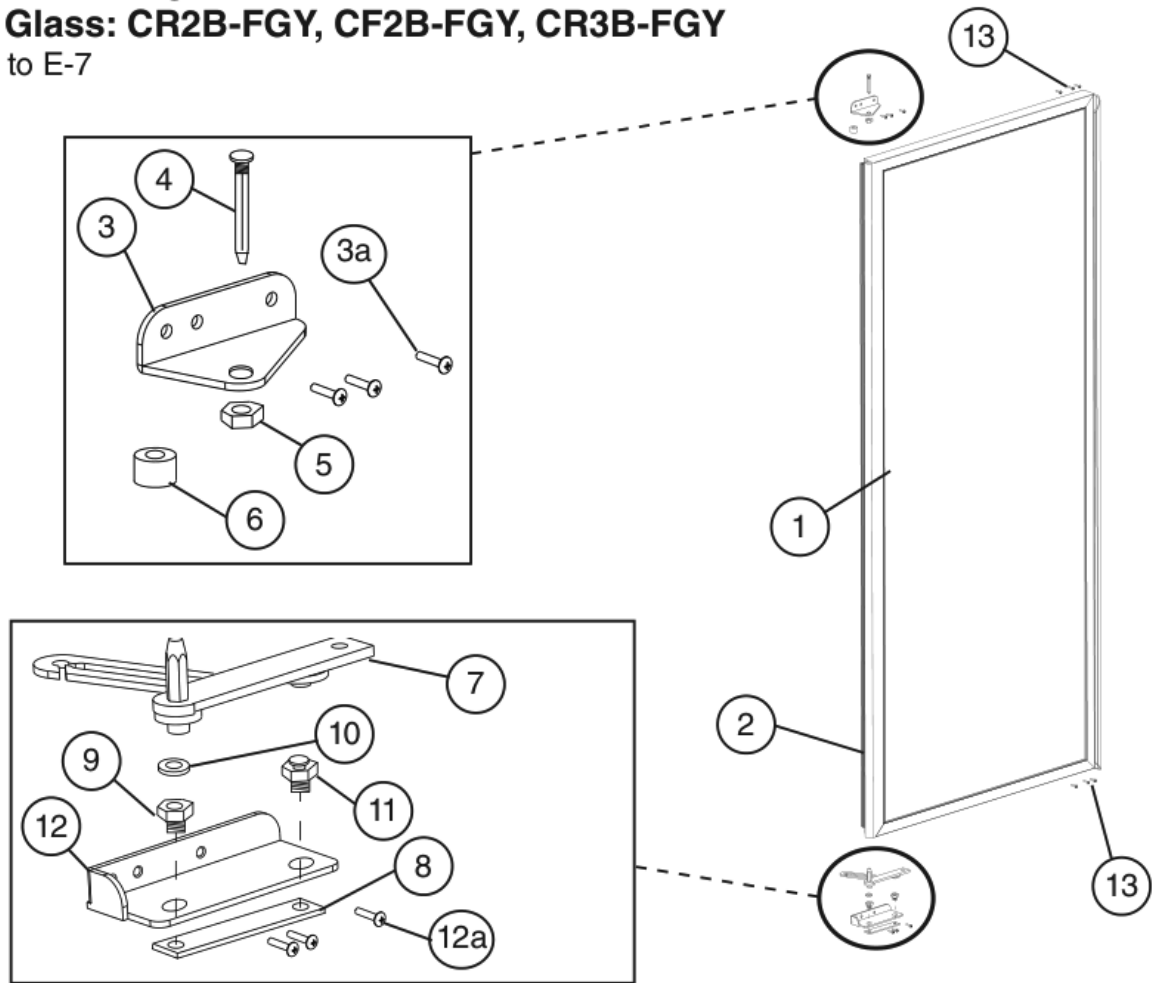


| Title: E. Door-Left Hinged Model: Full Glass: CR2B-FG, CF2B-FG, CR3B-FG | | | | | Required Number | | | | | | | | | | | | |
|---|----------------------------------|--------------------------|-------------|------------|-----------------|--|--|--|--|--|--|--|--|--|--|--|--|
| Index No. | Description | Material or Model Number | Part Number | A-5 to E-7 | | | | | | | | | | | | | |
| 1 | Left Glass Door | CR2B-FG | 1A2296-02 | 1 | | | | | | | | | | | | | |
| | | CF2B-FG | 1A2367-02 | 1 | | | | | | | | | | | | | |
| 2 | Upper Hinge Bracket | | 3A6844-01 | 1 | | | | | | | | | | | | | |
| 2a | Countersunk Screw | 5x20, SS | 7C42-0520 | 3 | | | | | | | | | | | | | |
| 3 | Hinge Pin | | 3A6867-01 | 1 | | | | | | | | | | | | | |
| 4 | Arm | | 4A5991-01 | 1 | | | | | | | | | | | | | |
| 5 | Torque Master | | 4A5984-01 | 1 | | | | | | | | | | | | | |
| 6 | Truss Head Screw (filler screws) | 5x10, SS | 7C32-0510 | 8 | | | | | | | | | | | | | |
| 7 | Door Gasket | | 3A6843-01 | 1 | | | | | | | | | | | | | |

E. Door-Left Hinged

Full Glass: CR2B-FGY, CF2B-FGY, CR3B-FGY

D-5 to E-7

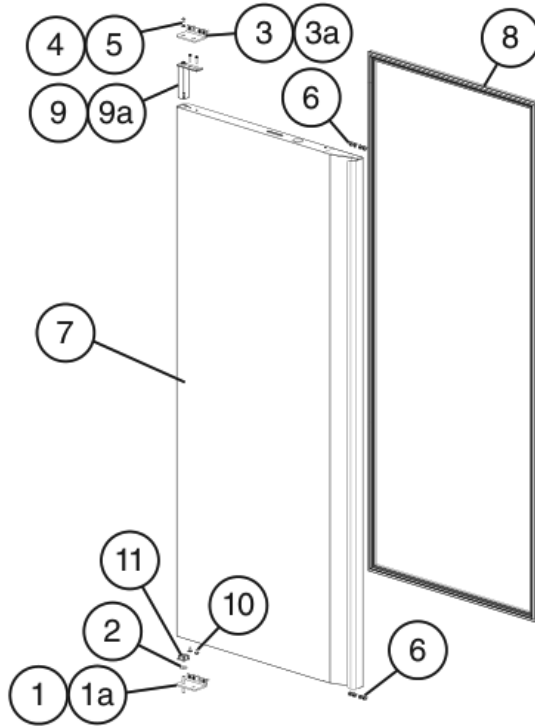


| Title: E. Door-Left Hinged Model: Full Glass: CR2B-FGY, CF2B-FGY, CR3B-FGY | | | | | Required Number | | | | | | | | | | | | | | |
|---|----------------------------------|--------------------------|---------------------------|------------|-----------------|--|----------|---------------------------|---|--|--|--|--|--|--|--|--|--|--|
| Index No. | Description | Material or Model Number | Part Number | D-5 to E-7 | | | | | | | | | | | | | | | |
| | | | | | 1 | Left Glass Door (includes items 2 through 10) | CR_B-FGY | 2A7116-01 | 1 | | | | | | | | | | |
| | | CF2B-FGY | 2A7116-03 | 1 | | | | | | | | | | | | | | | |
| 2 | Door Gasket | | 3A7945-01 | 1 | | | | | | | | | | | | | | | |
| 3 | Upper Hinge Bracket | | 3A7946-02 | 1 | | | | | | | | | | | | | | | |
| 3a | Truss Head Screw | 5x25, SS | 7C32-0525 | 3 | | | | | | | | | | | | | | | |
| 4 | Hinge Pin (tension rod) | | 3A7946-04 | 1 | | | | | | | | | | | | | | | |
| 5 | Lock Nut | | 3A7946-05 | 1 | | | | | | | | | | | | | | | |
| 6 | Upper Bushing | | 3A7946-12 | 1 | | | | | | | | | | | | | | | |
| 7 | Lower Hinge | | 3A7946-01 | 1 | | | | | | | | | | | | | | | |
| 8 | Backer Plate | | 3A7946-08 | 1 | | | | | | | | | | | | | | | |
| 9 | Lower Hinge Bushing | | 3A7946-09 | 1 | | | | | | | | | | | | | | | |
| 10 | Nylon Washer | | 3A7946-10 | 1 | | | | | | | | | | | | | | | |
| 11 | Slide Pin | | 3A7946-11 | 1 | | | | | | | | | | | | | | | |
| 12 | Lower Hinge Bracket | | 3A7946-06 | 1 | | | | | | | | | | | | | | | |
| 12a | Truss Head Screw | 5x25, SS | 7C32-0525 | 3 | | | | | | | | | | | | | | | |
| 13 | Truss Head Screw (filler screws) | 5x10, SS | 7C32-0510 | 6 | | | | | | | | | | | | | | | |

E. Door-Left Hinged

Full Solid: CR2B-FS, CF2B-FS, CR3B-FS, CF3B-FS

V-5 to E-7

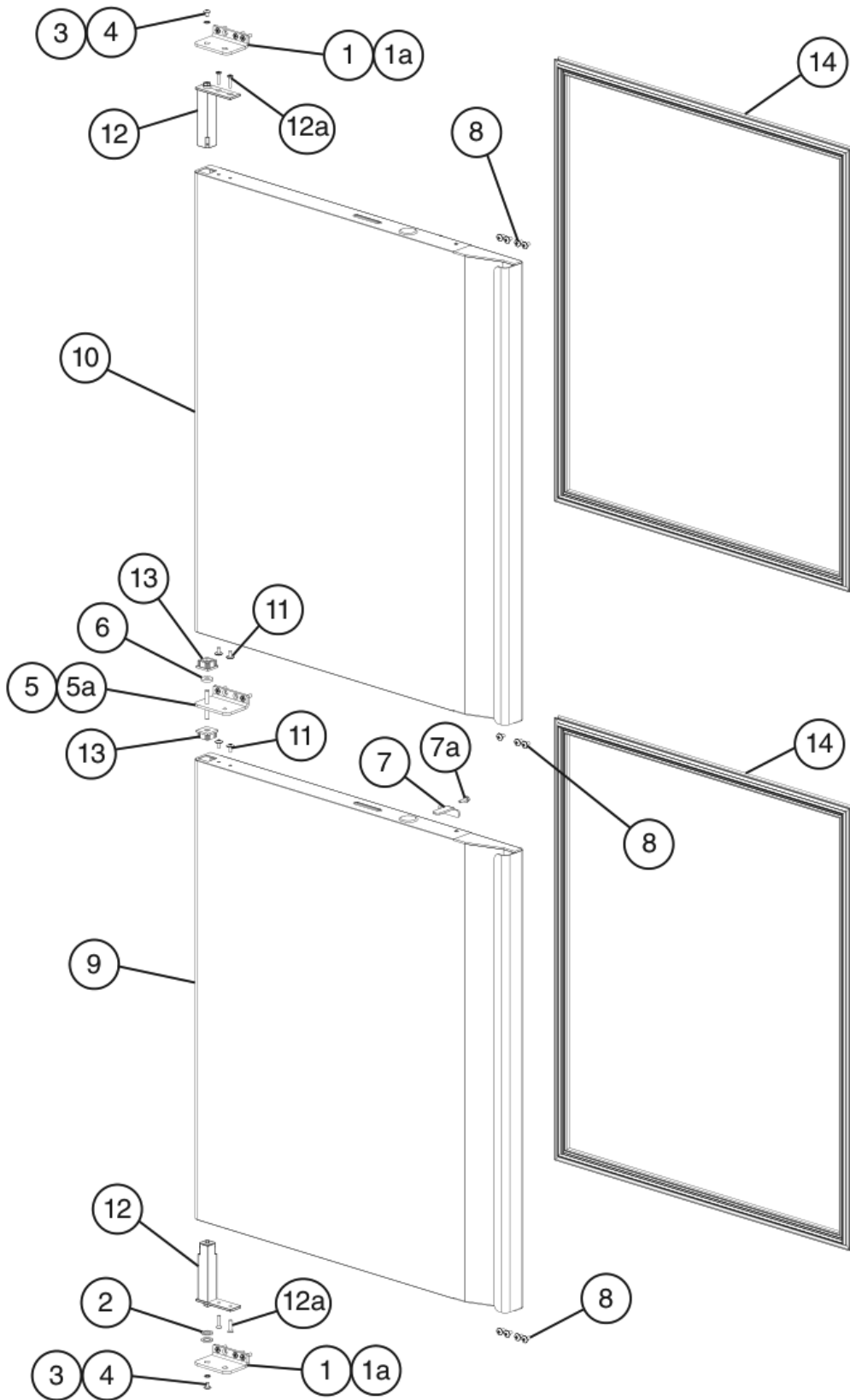


| Title: E. Door-Left Hinged Model: Full Solid: CR2B-FS, CF2B-FS, CR3B-FS, CF3B-FS | | | | Required Number | | | | | | | |
|--|--|--------------------------|-------------|-----------------|----------------|--|--|--|--|--|--|
| Index No. | Description | Material or Model Number | Part Number | V-5 to B-5 (D) | B-5 (E) to E-7 | | | | | | |
| 1 | Lower Hinge Bracket | | 3A6250G02 | 1 | 1 | | | | | | |
| 1a | Countersunk Screw | 5x20, SS | 7C42-0520 | 3 | 3 | | | | | | |
| 2 | Thrust Washer | | 4A5234-01 | 1 | 1 | | | | | | |
| 3 | Upper Hinge Bracket | | 3A6249-01 | 1 | 1 | | | | | | |
| 3a | Countersunk Screw | 5x20, SS | 7C42-0520 | 3 | 3 | | | | | | |
| 4 | Lock Washer | | 4A5231-01 | 1 | 1 | | | | | | |
| 5 | Screw | | 4A5230-01 | 1 | 1 | | | | | | |
| 6 | Truss Head Screw (filler screws) | 5x10, SS | 7C32-0510 | 8 | 8 | | | | | | |
| 7 | Left Door Assembly (includes items 8 through 11) | CR_B-FS | 2A6264G01 | 1 | - | | | | | | |
| | | | 2A6808G01 | | 1 | | | | | | |
| | | CF_B-FS | 2A6264G01 | 1 | 1 | | | | | | |
| 8 | Door Gasket | | 2A5192-01 | 1 | 1 | | | | | | |
| 9 | Hinge Cartridge | | 3A6258-01 | 1 | 1 | | | | | | |
| 9a | Countersunk Screw | 5x20, SS | 7C42-0520 | 2 | 2 | | | | | | |
| 10 | Truss Head Screw (filler screws) | 5x10, SS | 7C32-0510 | 2 | 2 | | | | | | |
| 11 | Bearing | | 4A5232-01 | 1 | 1 | | | | | | |

E. Door-Left Hinged

Half Solid: CR2B-HS, CF2B-HS, CR3B-HS, CF3B-HS

A-5 to E-7

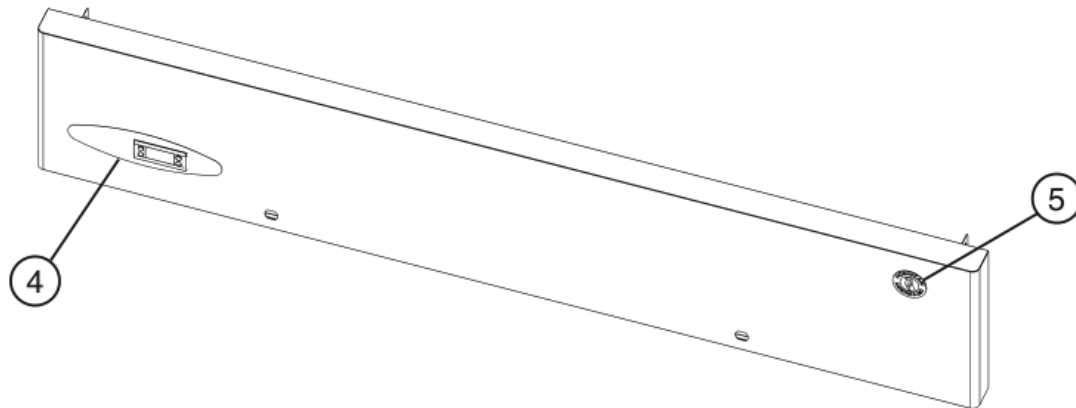
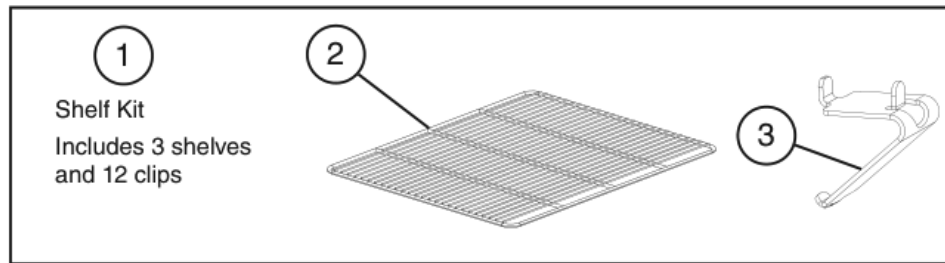


| Title: E. Door-Left Hinged Model: Half Solid: CR2B-HS, CF2B-HS, CR3B-HS, CF3B-HS | | | | | | | | | | | |
|--|---|--------------------------|-------------|-----------------|----------------|--|--|--|--|--|--|
| Index No. | Description | Material or Model Number | Part Number | Required Number | | | | | | | |
| | | | | A-5 to B-6 (E) | B-6 (F) to E-7 | | | | | | |
| 1 | Upper/Lower Hinge Bracket | | 3A6249-01 | 2 | 2 | | | | | | |
| 1a | Countersunk Screw | 5x20, SS | 7C42-0520 | 6 | 6 | | | | | | |
| 2 | Thrust Washer | | 4A5233-01 | 2 | 2 | | | | | | |
| 3 | Lock Washer | | 4A5231-01 | 2 | 2 | | | | | | |
| 4 | Screw | | 4A5230-01 | 2 | 2 | | | | | | |
| 5 | Middle Hinge Bracket | | 3A6250G02 | 1 | 1 | | | | | | |
| 5a | Countersunk Screw | 5x20, SS | 7C42-0520 | 2 | 2 | | | | | | |
| 6 | Thrust Washer | | 4A5234-01 | 1 | 1 | | | | | | |
| 7 | Half-Door Lock | | 4A5249-01 | 1 | 1 | | | | | | |
| 7a | Bolt | 5x16, SS | 449879-08 | 1 | 1 | | | | | | |
| 8 | Truss Head Screw (filler screws) | 5x10, SS | 7C32-0510 | 11 | 11 | | | | | | |
| 9 | Upper Right/Lower Left Door Assembly (includes half the quantity of items 11 through 14) | | 2A6252G01 | 1 | - | | | | | | |
| | | | 2A6804G01 | | 1 | | | | | | |
| 10 | Lower Right/Upper Left Door Assembly (includes half the quantity of items 11 through 14) | | 2A6253G01 | 1 | - | | | | | | |
| | | | 2A6805G01 | | 1 | | | | | | |
| 11 | Truss Head Screw (filler screws) | 5x10, SS | 7C32-0510 | 4 | 4 | | | | | | |
| 12 | Hinge Cartridge | | 3A6258-01 | 2 | 2 | | | | | | |
| 12a | Countersunk Screw | 5x20, SS | 7C42-0520 | 4 | 4 | | | | | | |
| 13 | Bearing | | 4A5232-01 | 2 | 2 | | | | | | |
| 14 | Door Gasket | | 2A5192-02 | 2 | 2 | | | | | | |

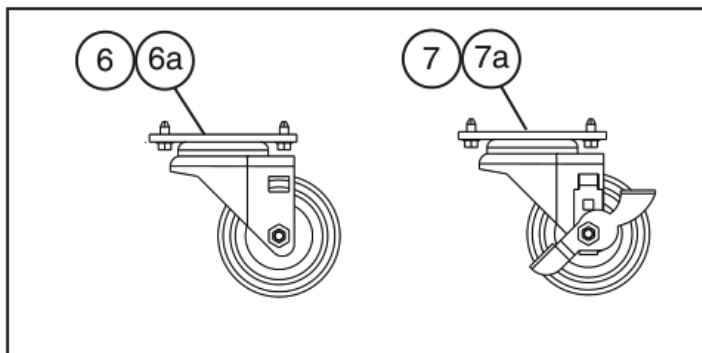
F. Accessories & Labels

**CR1B-FG/FGY/FS/HS, CF1B-FG/FGY/FS/HS, CR2B-FG/FGY/FS/HS,
CF2B-FG/FGY/FS/HS, CR3B-FG/FGY/FS/HS, CF3B-FS/HS**

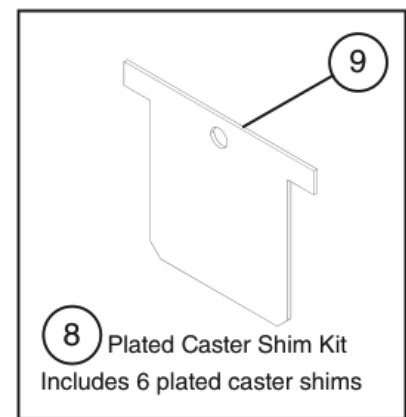
A-5 to E-7



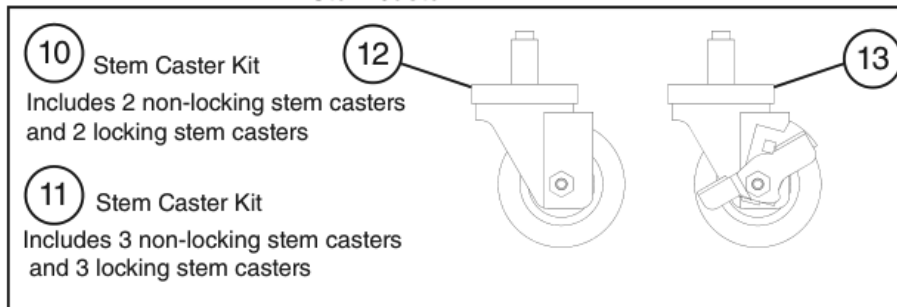
Plated Caster



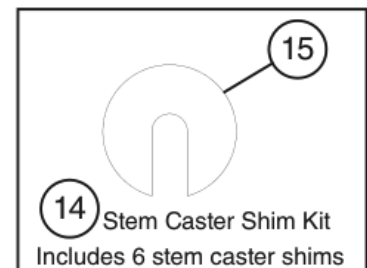
Plated Caster Shim



Stem Caster



Stem Caster Shim



Title: F. Accessories & Labels Model: CR1B-FG/FGY/FS/HS, CF1B-FG/FGY/FS/HS, CR2B-FG/FGY/FS/HS, CF2B-FG/FGY/FS/HS, CR3B-FG/FGY/FS/HS, CF3B-FS/HS

| Index No. | Description | Material or Model Number | Part Number | Required Number | | | | | | |
|-----------|---|--|---------------------------|-----------------|---------|--|--|--|--|--|
| | | | | A-5 to E-7 (F) | E-7 (G) | | | | | |
| 1 | Shelf Kit (3 Pack) (includes items 2 and 3) (HS-5053) | CR1B-FG/FGY/FS/HS CF1B-FG/FGY/FS/HS CR3B-FS/HS CF3B-FS/HS | 3A6902A01 | 1 | 1 | | | | | |
| | Shelf Kit (3 Pack) (one kit includes half of items 2 and 3) (HS-5048) | CR2B-FG/FGY/FS/HS CF2B-FG/FGY/FS/HS CR3B-FS/HS CF3B-FS/HS | 3A6874A01 | 2 | 2 | | | | | |
| 2 | Shelf | CR1B-FG/FGY/FS/HS CF1B-FG/FGY/FS/HS CR3B-FS/HS CF3B-FS/HS | 3A6876-03 | 3 | 3 | | | | | |
| | | CR2B-FG/FGY/FS/HS CR3B-FS/HS CF2B-FG/FGY/FS/HS CF3B-FS/HS | 3A6876-01 | 6 | 6 | | | | | |
| 3 | Shelf Clip | CR1B-FG/FGY/FS/HS CF1B-FG/FGY/FS/HS CR3B-FS/HS CF3B-FS/HS | 428957-01 | 12 | 12 | | | | | |
| | | CR2B-FG/FGY/FS/HS CF2B-FG/FGY/FS/HS CR3B-FS/HS CF3B-FS/HS | | 24 | 24 | | | | | |
| 4 | Commercial Label | CR1B-FG/FGY/FS/HS CR2B-FG/FGY/FS/HS CR3B-FG/FGY/FS/HS | 3A7757-01 | 1 | 1 | | | | | |
| | | CF1B-FG/FGY/FS/HS CF2B-FG/FGY/FS/HS CF3B-FG/FGY/FS/HS | 3A7757-02 | 1 | 1 | | | | | |
| 5 | Penguin Label | | 456246-02 | 1 | 1 | | | | | |

| Title: F. Accessories & Labels Model: CR1B-FG/FGY/FS/HS, CF1B-FG/FGY/FS/HS, CR2B-FG/FGY/FS/HS, CF2B-FG/FGY/FS/HS, CR3B-FG/FGY/FS/HS, CF3B-FS/HS | | | | | | | | | |
|---|--|--|-------------|-----------------|---------|--|--|--|--|
| Index No. | Description | Material or Model Number | Part Number | Required Number | | | | | |
| | | | | A-5 to E-7 (F) | E-7 (G) | | | | |
| Plate Caster | | | | | | | | | |
| 6 | 4-Inch Locking Plated Caster | CR1B-FG/FS CF1B-FG/FGY/FS CR2B-FG/FGY/FS/HS CF2B-FG/FS/HS | 4A4275-01 | 2 | 2 | | | | |
| | | CR1B-FGY/HS CF1B-HS CF2B-FGY | | 2 | - | | | | |
| | | CR3B-FS/HS CF3B-FS/HS | | 3 | 3 | | | | |
| | | CR3B-FGY | | 3 | - | | | | |
| 6a | Hex Head Tapping Bolt | CR1B-FG/FS CF1B-FG/FGY/FS CR2B-FG/FGY/FS/HS CF2B-FG/FS/HS | 4A5213-01 | 8 | 8 | | | | |
| | | CR1B-FGY/HS CF1B-HS CF2B-FGY | | 8 | - | | | | |
| | | CR3B-FS/HS CF3B-FS/HS | | 12 | 12 | | | | |
| | | CR3B-FGY | | 12 | - | | | | |
| 7 | 4-Inch Non-Locking Plated Caster | CR1B-FG/FS CF1B-FG/FGY/FS CR2B-FG/FGY/FS/HS CF2B-FG/FS/HS | 4A4275-02 | 2 | 2 | | | | |
| | | CR1B-FGY/HS CF1B-HS CF2B-FGY | | 2 | - | | | | |
| | | CR3B-FS/HS CF3B-FS/HS | | 3 | 3 | | | | |
| | | CR3B-FGY | | 3 | - | | | | |
| 7a | Hex Head Tapping Bolt | CR1B-FG/FS CF1B-FG/FGY/FS CR2B-FG/FGY/FS/HS CF2B-FG/FS/HS | 4A5213-01 | 8 | 8 | | | | |
| | | CR1B-FGY/HS CF1B-HS CF2B-FGY | | 8 | - | | | | |
| | | CR3B-FS/HS CF3B-FS/HS | | 12 | 12 | | | | |
| | | CR3B-FGY | | 12 | - | | | | |
| 8 | Plated Caster Shim Kit (includes 6 of item 9) | CR1B-FG/FS CF1B-FG/FGY/FS CR2B-FG/FGY/FS/HS CF2B-FG/FS/HS | HS-3724 | 1 | 1 | | | | |
| | | CR1B-FGY/HS CF1B-HS CF2B-FGY | | 1 | - | | | | |
| | | CR3B-FS/HS CF3B-FS/HS | | 1 | 1 | | | | |
| | | CR3B-FGY | | 1 | - | | | | |

| Title: F. Accessories & Labels Model: CR1B-FG/FGY/FS/HS, CF1B-FG/FGY/FS/HS, CR2B-FG/FGY/FS/HS, CF2B-FG/FGY/FS/HS, CR3B-FG/FGY/FS/HS, CF3B-FS/HS | | | | | | | | | |
|---|---|--|-------------|-----------------|---------|--|--|--|--|
| Index No. | Description | Material or Model Number | Part Number | Required Number | | | | | |
| | | | | A-5 to E-7 (F) | E-7 (G) | | | | |
| 9 | Plated Caster Shim | CR1B-FG/FS CF1B-FG/FGY/FS CR2B-FG/FGY/FS/HS CF2B-FG/FS/HS | 4A5208-01 | 4 | 4 | | | | |
| | | CR1B-FGY/HS CF1B-HS CF2B-FGY | | 4 | - | | | | |
| | | CR3B-FS/HS CF3B-FS/HS | | 6 | 6 | | | | |
| | | CR3B-FGY | | 6 | - | | | | |
| Stem Caster | | | | | | | | | |
| 10 | 4-inch Stem Caster Kit (includes 2 each of items 12 and 13) | CR1B-FGY/HS CF1B-HS CF2B-FGY | HS-3546 | | 1 | | | | |
| 11 | 4-inch Stem Caster Kit (includes 3 each of items 12 and 13) | CR3B-FGY | HS-3547 | | 1 | | | | |
| 12 | 4-inch Non-Locking Stem Caster | CR1B-FGY/HS CF1B-HS CF2B-FGY | 4A1347-01 | | 2 | | | | |
| | | CR3B-FGY | | | 3 | | | | |
| 13 | 4-inch Locking Stem Caster | CR1B-FGY/HS CF1B-HS CF2B-FGY | 4A1347-02 | | 2 | | | | |
| | | CR3B-FGY | | | 3 | | | | |
| 14 | Stem Caster Shim Kit (includes 6 of item 15) | CR1B-FGY/HS CF1B-HS CF2B-FGY CR3B-FGY | HS-3590 | | 1 | | | | |
| 15 | Stem Caster Shim | CR1B-FGY/HS CF1B-HS CF2B-FGY CR3B-FGY | 4A3658-01 | | 4 | | | | |
| | | CR3B-FGY | | | 6 | | | | |