



HOSHIZAKI

Parts List

Steelheart B Series
Refrigerated/Freezer Kitchen Equipment

Models

Refrigerated/Freezer Equipment Stand

C_36B(-L)

C_49B(-L)

C_60B(-L)

C_72B(-L)

CR85B(-L)

CR98B(-L)

CR110B(-L)



hoshizakiamerica.com

Number: 71463
Issued: 8-12-2025

CONTENTS

Auxiliary Codes.....	3
Note About Ordering Parts	4
A. Main Assembly & Refrigeration Circuit	5
B. Drawer Assembly.....	8
C. Accessories & Labels	11

Auxiliary Codes

CR36B

P-5 December 2024

Q-5 February 2025

CR36B-L

TBD

CR49B

TBD

CR49B-L

P-5 December 2024

Q-5 February 2025

CR60B

Q-5 April 2025

CR60B-L

TBD

CR72B

TBD

CR72B-L

Q-5 February 2025

CR85B

TBD

CR85B-L

Q-5 February 2025

CR98B

Q-5 February 2025

CR98B-L

TBD

CR110B

TBD

CR110B-L

TBD

CF36B

TBD

CF36B-L

P-5 December 2024

Q-5 February 2025

CF49B

P-5 December 2024

Q-5 February 2025

CF49B-L

TBD

CF60B

TBD

CF60B-L

Q-5 July 2025

CF72B

TBD

CF72B-L

TBD

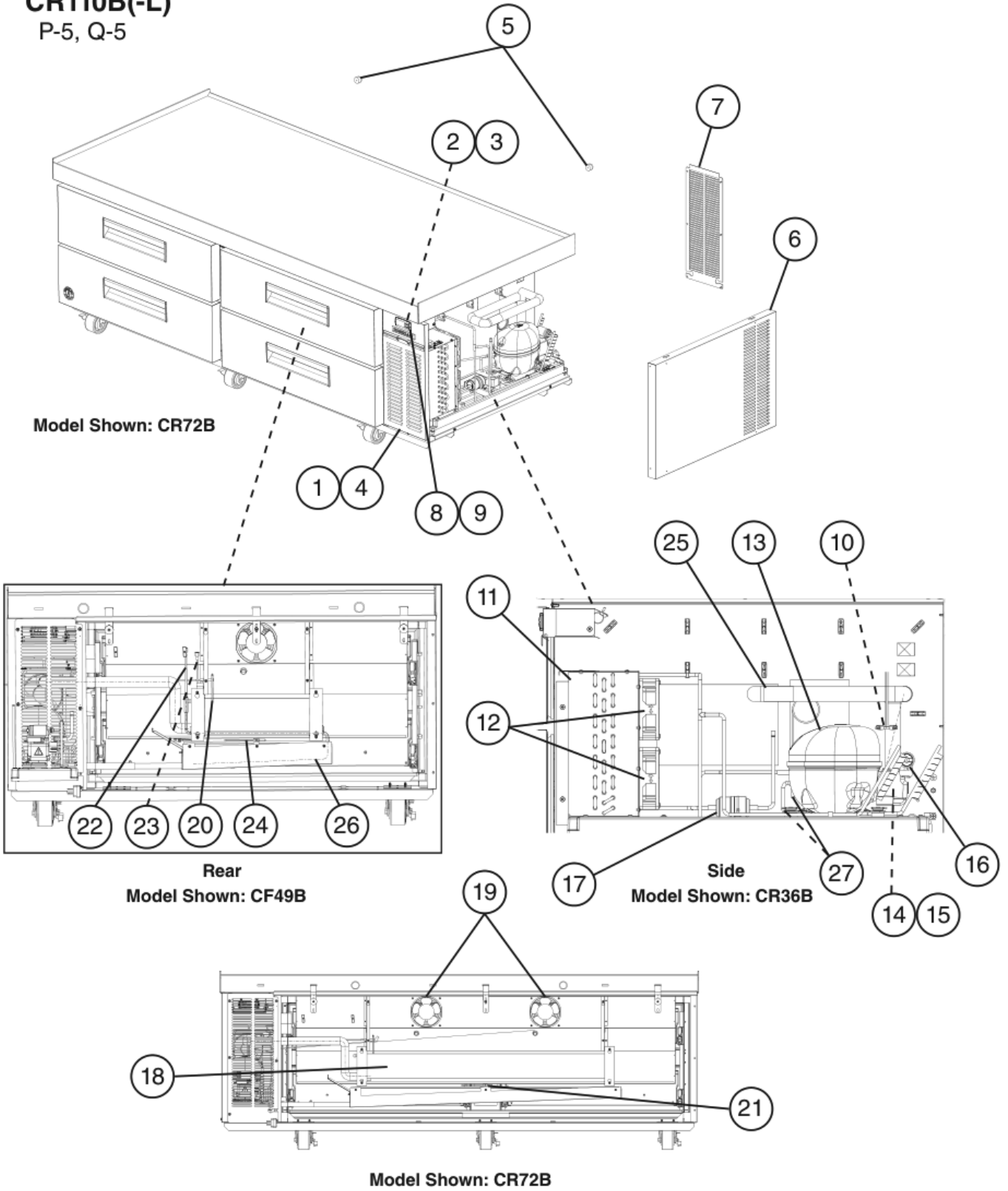
Auxiliary Code Breakdown

The auxiliary code is the first two characters in the serial number. The first character indicates the year. Years progress or regress in alphabetical order. The series runs from "A" through "V" and the letters "I" and "O" are skipped. The second character indicates significant part changes within a year. Base is "5" and this number advances for each change. In cases where there is a letter in parentheses, this designates the month. This is the last character in the serial number. The series runs from "(A)" through "(M)" and the letter "(I)" is skipped. This designation is only included when identifying a parts change within an auxiliary code.

Note About Ordering Parts

Most assemblies cannot be ordered as complete units; parts in the assemblies generally must be ordered separately.

A. Main Assembly & Refrigeration Circuit
C_36B(-L), C_49B(-L), C_60B(-L), C_72B(-L), CR85B(-L), CR98B(-L),
CR110B(-L)
 P-5, Q-5



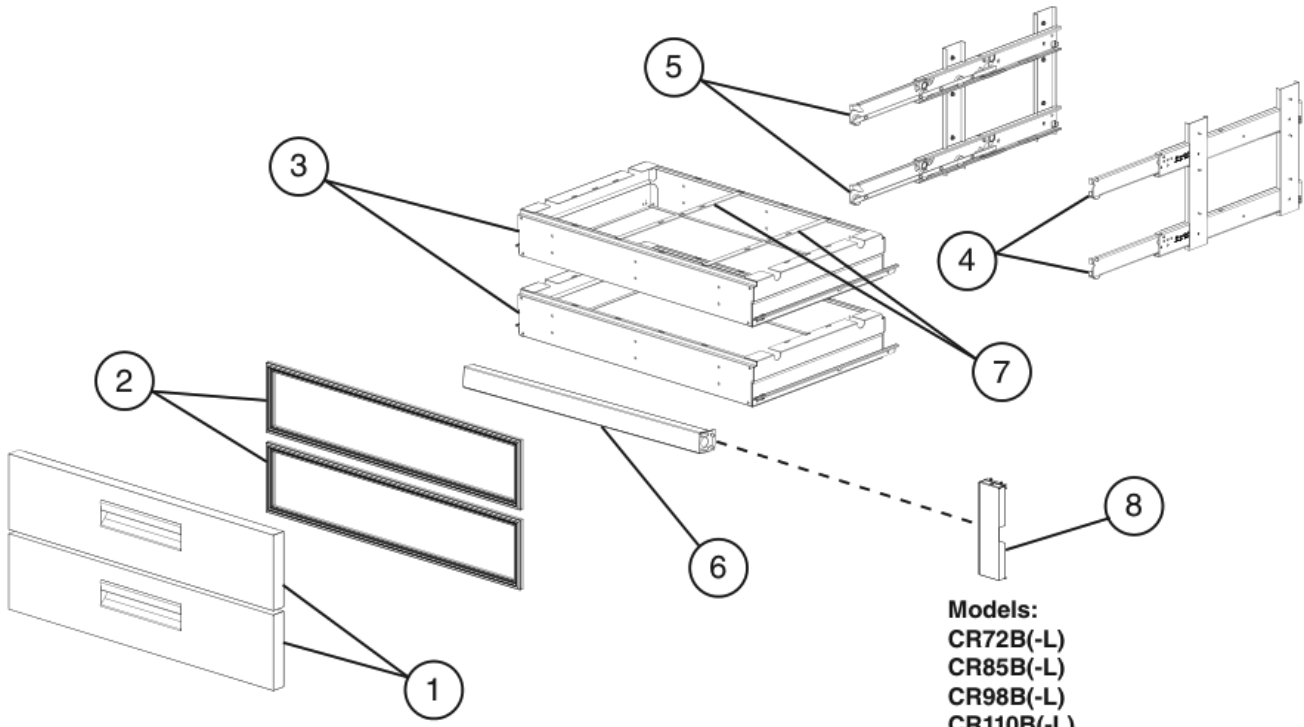
Title: A. Main Assembly & Refrigeration Circuit									
Models: C_36B(-L), C_49B(-L), C_60B(-L), C_72B(-L), CR85B(-L), CR98B(-L), CR110B(-L)									
Index No.	Description	Material or Model Number	Part Number	Required Number					
				P-5	Q-5				
Main Assembly									
1	Front Panel (includes items 2 through 4)	C_36B(-L), C_49B(-L), C_60B(-L), C_72B(-L), CR85B(-L), CR98B(-L), CR110B(-L)	2B1183A01	1					
2	Deflector (A)		3B1860-01	1					
3	Deflector (B)		3B1861-01	1					
4	Air Filter		2A4128G01	1					
5	Bumper		3A6696-01	2					
6	Side Access Panel (left or right)		2B1067-01	1					
7	Rear Louver Panel		3B1970-01	1					
8	Control Module	CR_B(-L)	4A7415G01	1					
		CF_B(-L)	4A7456G01	1					
9	Retainer Clip		4A7085-01	2					
10	Wire Harness (evaporator fan motor)	C_36B(-L), C_49B(-L), C_60B(-L), CF72B-L	4A6193-03	1					
		CR72B(-L), CR85B(-L)	4A6193-07	1					
		CR98B(-L), CR110B(-L)	4A6193-08	1					
Refrigeration Circuit									
11	Condensing Unit (includes compressor, condenser, and items 12 through 17; compressor and condenser are not sold individually)	CR_B(-L)	3B1885-01	1					
		CF_B(-L)	3B1895-01	1					
12	Condenser Fan Motor		3B2198-01	1					
13	Compressor	CR_B(-L)	3A9315-01	1					
		CF_B(-L)	4A7102-01	1					
14	Compressor Overload	CR_B(-L)	3A9475-01	1					
		CF_B(-L)	3B0897-01	1					
15	PTC Start Relay		3A9476-01	1					
16	Run Capacitor	CR_B(-L) 12MFD, 250V	3A9477-01	1					
		CF_B(-L) 20MFD, 250V	3B0898-01	1					
17	Drier		3B2200-01	1					
18	Evaporator	C_36B(-L) C_49B(-L) C_60B(-L) CF72B(-L)	2B0837-01	1					
		CR72B(-L) CR85B(-L) CR98B(-L) CR110B(-L)	2B0837-02	1					
19	Evaporator Fan Motor	C_36B(-L), C_49B(-L), C_60B(-L)	4A6192-01	1					
		C_72B(-L), CR85B(-L)		2					
		CR98B(-L), CR110B(-L)		3					

Title: A. Main Assembly & Refrigeration Circuit									
Models: C_36B(-L), C_49B(-L), C_60B(-L), C_72B(-L), CR85B(-L), CR98B(-L), CR110B(-L)									
Index No.	Description	Material or Model Number	Part Number	Required Number					
				P-5	Q-5				
20	Defrost Thermistor		4A7083-02	1					
21	Defrost Thermistor Access Panel	C_36B(-L) CF36B	2A7727-01	1					
22	Defrost Heater	CF36B(-L) CF49B(-L) CF60B(-L) CF72B(-L)	2B0861-01	1					
23	Defrost Safety Thermostat	CF36B(-L) CF49B(-L) CF60B(-L) CF72B(-L)	4A6194-01	1					
24	Cabinet Thermistor	C_36B(-L), C_49B(-L), C_60B(-L), C_72B(-L), CR85B(-L), CR98B(-L), CR110B(-L)	4A7084-02	1					
25	Heat Exchanger	CR36B(-L), CR49B(-L), CR60B(-L), CR72B(-L), CR85B(-L), CR98B(-L), CR110B(-L)	3B1886G01	1					
		CF36B(-L) CF49B(-L) CF60B(-L) CF72B(-L)	3B1896G01	1					
26	Condensate Pan	C_36B, C_49B, C_60B, CF72B	2B0942G01	1					
		C_36B-L, C_49B-L, C_60B-L, CF72B-L	2B0942G02	1					
		CR72B, CR85B, CR98B, CR110B	2B0943G01	1					
		CR72B-L, CR85B-L, CR98B-L, CR110B-L	2B0943G02	1					
27	High-Pressure Switch	C_36B(-L), C_49B(-L) C_60B(-L), C_72B(-L) CR85B(-L), CR98B(-L) CR110B(-L)	4A0554-06	1					
		C_36B(-L), C_49B(-L) C_60B(-L), C_72B(-L) CR85B(-L), CR98B(-L)	4A0554-08	1					

B. Drawer Assembly

**C_36B(-L), C_49B(-L), C_60B(-L), C_72B(-L), CR85B(-L), CR98B(-L),
CR110B(-L)**

P-5, Q-5



Model Shown: CR49B

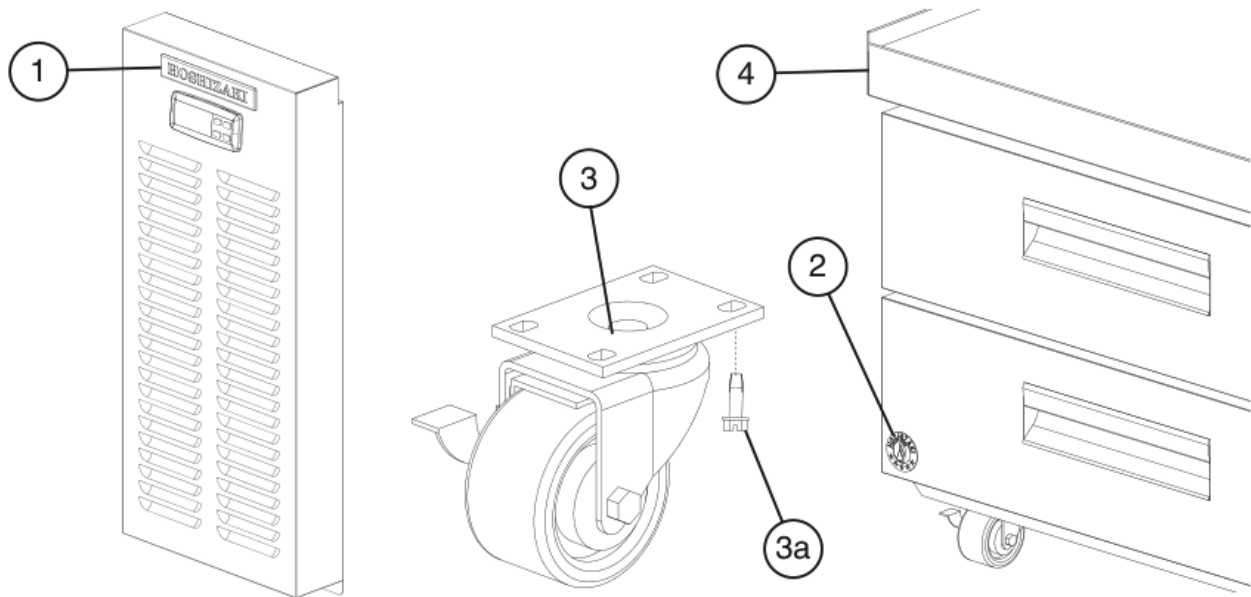
Title: B. Drawer Assembly Models: C_36B(-L), C_49B(-L), C_60B(-L), C_72B(-L), CR85B(-L), CR98B(-L), CR110B(-L)												
Index No.	Description	Material or Model Number	Part Number	Required Number Per Section								
				P-5	Q-5							
1	Drawer Face (includes item 2)	C_36B(-L)	2A7723G01	2								
		C_49B(-L)	2A7420G01	2								
		C_60B(-L)	2B1170G01	2								
		CF72B(-L)										
		CR72B(-L)	2A7369G01	4								
		CR85B(-L) (Left)	2A7651G01	2								
		CR85B(-L) (Right)	2A7369G01	2								
		CR98B(-L)	2A7651G01	4								
CR110B(-L)												
2	Gasket	C_36B(-L)	2A5192-21	2								
		C_49B(-L)	2A5192-19	2								
		C_60B(-L)	2A5192-30	2								
		CF72B(-L)										
		CR72B(-L)	2A5192-18	4								
		CR85B(-L) (Left)	2A5192-20	2								
		CR85B(-L) (Right)	2A5192-18	2								
		CR98B(-L)	2A5192-20	4								
CR110B(-L)												
3	Drawer Box	C_36B(-L)	2A7728G01	2								
		C_49B(-L)	2A7417G01	2								
		C_60B(-L)	2B1164G01	2								
		CF72B(-L)										
		CR72B(-L)	2A7372G01	4								
		CR85B(-L) (Left)	2A7650G01	2								
		CR85B(-L) (Right)	2A7372G01	2								
		CR98B(-L)	2A7650G01	4								
CR110B(-L)												
4	Right Side Roller	C_36B(-L)	4A5739-02	2								
		C_49B(-L)		4								
C_60B(-L)	4											
CF72B(-L)		4										
CR72B(-L)	4											
CR85B(-L)		4										
CR98B(-L)	4											
CR110B(-L)		4										
5	Left Side Roller		C_36B(-L)	4A5739-05	2							
		C_49B(-L)	4									
C_60B(-L)	4											
CF72B(-L)		4										
CR72B(-L)	4											
CR85B(-L)		4										
CR98B(-L)	4											
CR110B(-L)		4										

Title: B. Drawer Assembly Models: C_36B(-L), C_49B(-L), C_60B(-L), C_72B(-L), CR85B(-L), CR98B(-L), CR110B(-L)											
Index No.	Description	Material or Model Number	Part Number	Required Number Per Section							
				P-5							
6	Drawer Mullion (horizontal)	CR36B(-L)	2B1212G01	1							
		CF36B(-L)	2B1207G01	1							
		CR49B(-L)	2B1213G01	1							
		CF49B(-L)	2B1245G01	1							
		CR60B(-L)	2B1449G01	1							
		CF60B(-L)	2B1448G01	1							
		CF72B(-L)									
		CR72B(-L)	2B1214G01	2							
		CR85B(-L)	2B1214G01	1							
		CR85B(-L)	2B1215G01	1							
		CR98B(-L)	2B1215G01	2							
CR110B(-L)											
7	Drawer Divider	C_36B(-L)	3B0029-02	2							
		C_49B(-L)		4							
		C_60B(-L)		6							
		CF72B(-L)		6							
		CR72B(-L)		4							
		CR85B(-L)		6							
		CR110B(-L)		8							
8	Vertical Mullion	CR72B(-L)	2B1324G01	1							
		CR85B(-L)									
		CR98B(-L)									
		CR110B(-L)									

C. Accessories & Labels

C_36B(-L), C_49B(-L), C_60B(-L), C_72B(-L), CR85B(-L), CR98B(-L), CR110B(-L)

P-5, Q-5



Title: C. Accessories & Labels Models: C_36B(-L), C_49B(-L), C_60B(-L), C_72B(-L), CR85B(-L), CR98B(-L), CR110B(-L)					Required Number												
Index No.	Description	Material or Model Number	Part Number	P-5	Q-5												
1	Hoshizaki Emblem Label		4A0560-01	1													
2	Penguin Label		475552L01	1													
3	4" Locking Caster	C_36B(-L) C_49B(-L) C_60B(-L) CF72B(-L)	4A4275-01	4													
		CR72B(-L) CR85B(-L)		6													
		CR98B(-L) CR110B(-L)		8													
3a	Hex Bolt	C_36B(-L) C_49B(-L) C_60B(-L) CF72B(-L)	4A5213-01	20													
		CR72B(-L) CR85B(-L)		28													
		CR98B(-L) CR110B(-L)		24													
				32													
				40													