



# HOSHIZAKI

## Parts List

Steelheart Series  
Refrigerated Kitchen Equipment

Models  
Refrigerated Equipment Stand  
CR36A  
CR49A  
CR60A  
CR72A  
CR85A  
CR98A  
CR110A



[hoshizakiamerica.com](http://hoshizakiamerica.com)

Number: 71424  
Issued: 12-20-2018  
Revised: 4-25-2023

## CONTENTS

Auxiliary Codes.....	3
Note About Ordering Parts .....	3
A. Main Assembly & Refrigeration Circuit .....	4
B. Drawer Assembly.....	7
C. Accessories & Labels .....	9

## Auxiliary Codes

### CR36A

H-6 November 2018  
J-5 January 2019  
J-6 October 2019  
K-5 January 2020  
K-7 September 2020  
L-5 January 2021  
L-6 October 2021  
M-5 February 2022  
N-5 January 2023  
N-6 March 2023

### CR49A

H-6 November 2018  
J-5 January 2019  
J-6 October 2019  
K-5 January 2020  
K-7 July 2020  
L-5 January 2021  
L-6 October 2021  
M-5 January 2022  
N-5 January 2023  
N-6 March 2023

### CR60A

H-6 December 2018  
J-5 January 2019  
J-6 September 2019  
K-5 January 2020  
K-7 July 2020  
L-5 January 2021  
L-6 September 2021  
L-7 December 2021  
M-5 January 2022  
N-5 February 2023  
N-6 March 2023

### CR72A

H-6 October 2018  
J-5 January 2019  
J-6 October 2019  
K-5 January 2020  
K-7 July 2020  
L-5 January 2021  
L-6 October 2021  
M-5 January 2022  
N-5 January 2023  
N-6 March 2023

### CR85A

H-6 November 2018  
J-5 January 2019  
J-6 November 2019  
K-5 January 2020  
K-6 June 2020  
K-7 July 2020  
L-5 January 2021  
L-6 October 2021  
M-5 January 2022  
N-5 February 2023  
N-6 March 2023

### CR98A

H-6 November 2018  
J-5 January 2019  
J-6 October 2019  
K-5 January 2020  
L-5 February 2021  
L-6 October 2021  
M-5 January 2022  
N-6 March 2023

### CR110A

J-5 January 2019  
L-5 May 2021  
L-6 September 2021  
N-6 March 2023

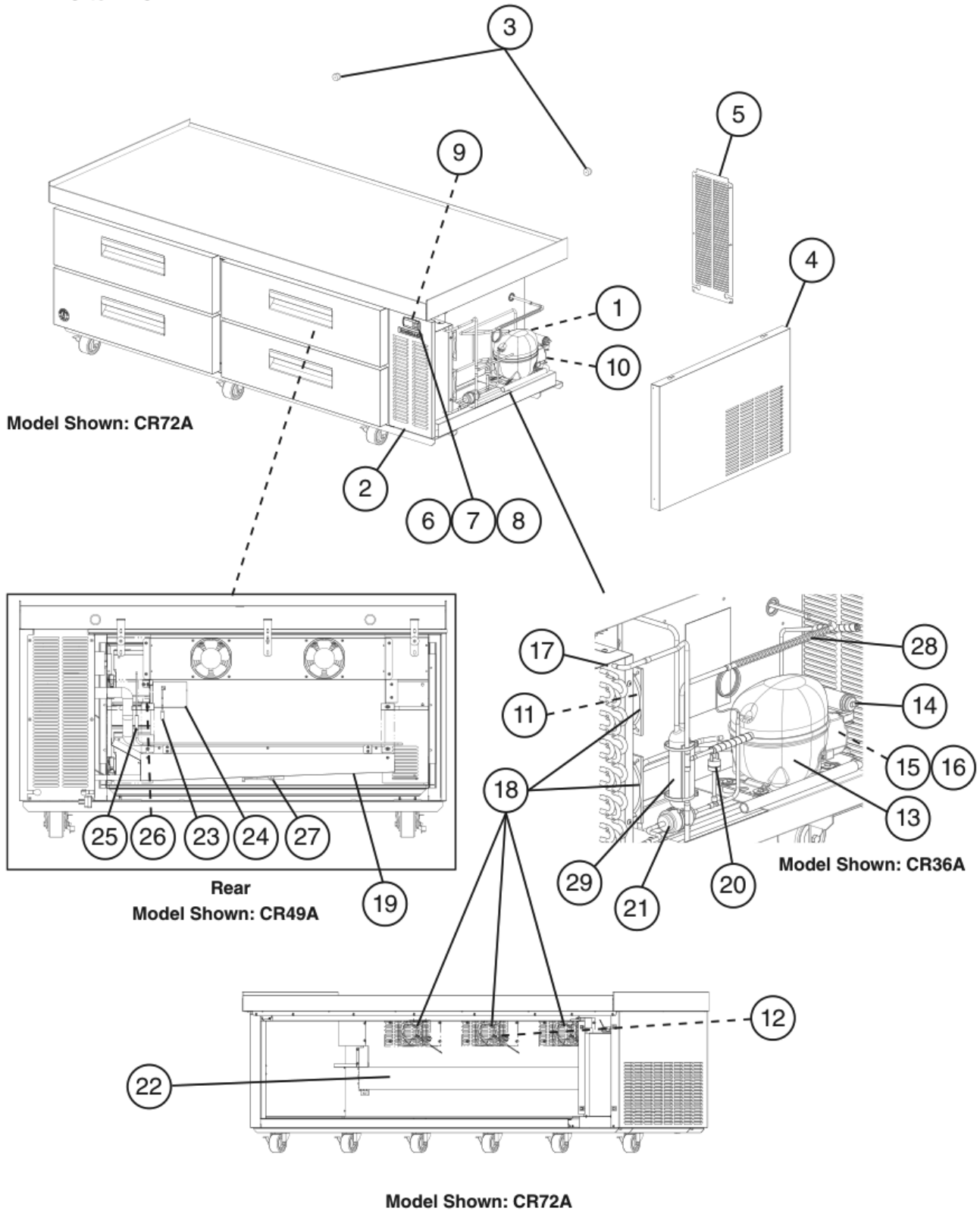
## Auxiliary Code Breakdown

The auxiliary code is the first two characters in the serial number. The first character indicates the year. Years progress or regress in alphabetical order. The series runs from "A" through "V" and the letters "I" and "O" are skipped. The second character indicates significant part changes within a year. Base is "5" and this number advances for each change. In cases where there is a letter in parentheses, this designates the month. This is the last character in the serial number. The series runs from "(A)" through "(M)" and the letter "(I)" is skipped. This designation is only included when identifying a parts change within an auxiliary code.

## Note About Ordering Parts

Most assemblies cannot be ordered as complete units; parts in the assemblies generally must be ordered separately.

**A. Main Assembly & Refrigeration Circuit**  
**CR36A, CR49A, CR60A, CR72A, CR85A, CR98A, CR110A**  
 H-6 to N-6



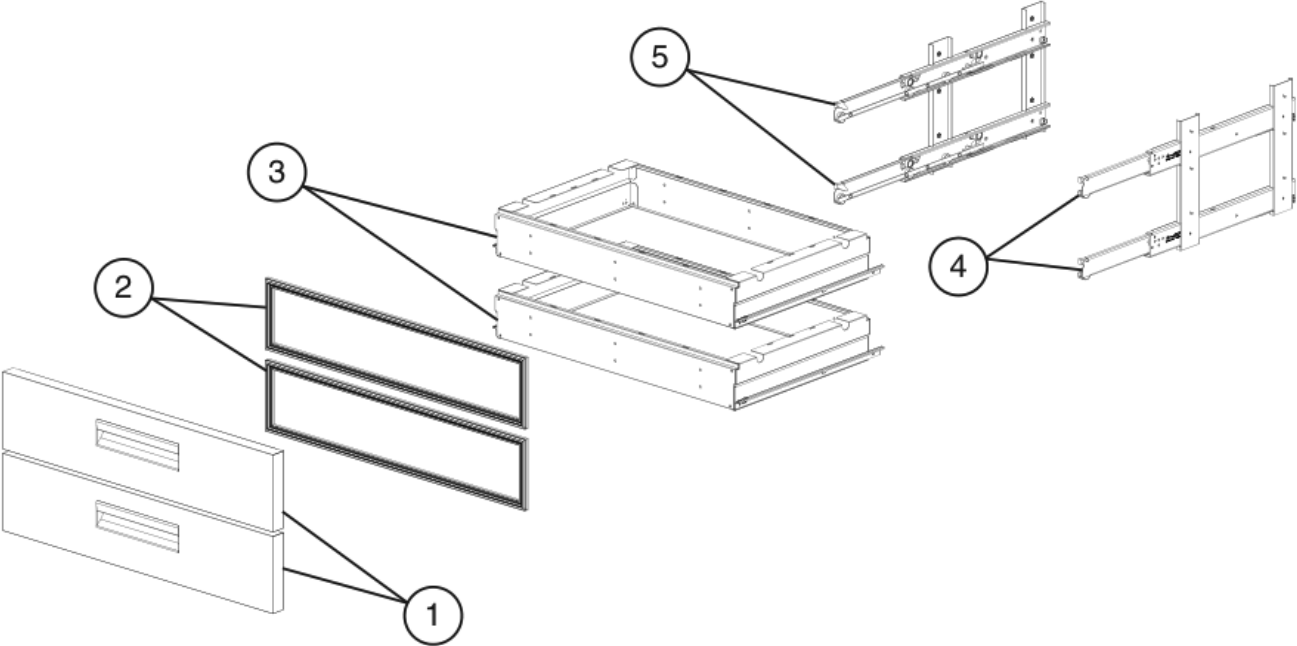
**Title: A. Main Assembly & Refrigeration Circuit**  
**Models: CR36A, CR49A, CR60A, CR72A, CR85A, CR98A, CR110A**

Index No.	Description	Material or Model Number	Part Number	Required Number						
				H-5 to K-5	K-7 to L-5(G)	L-5(H) to L-5(M)	L-6 to N-5	N-6		
<b>Main Assembly</b>										
1	Power Cord		4A5718-01	1	1	1	1	1		
2	Front Panel	CR36A, CR49A, CR60A, CR72A, CR85A, CR98A, CR110A	2A8532-01	1	1	-				
			2B0133-01			1	1	1		
3	Bumper		3A6696-01	2	2	2	2	2		
4	Right Side Panel		2A7682-01	1	1	1	1	1		
5	Rear Louver Panel		3A8279-01	1	1	1	1	1		
6	Control Module	CR36A, CR49A, CR60A, CR72A, CR85A, CR98A, CR110A	4A5915G01	1	1	-				
			4A7082-02			1	1	1		
7	Gasket	CR36A, CR49A, CR60A, CR72A, CR85A, CR98A, CR110A	4A7127-01			1	1	1		
8	Retainer Clip	CCR36A, CR49A, CR60A, CR72A, CR85A, CR98A, CR110A	4A5502-01	2	2	-				
			4A7085-01			2	2	2		
9	Deflector		3B1541-01	1	1	1	1	1		
10	Wire Harness	CR36A, CR49A, CR60A, CR72A, CR85A, CR98A, CR110A	4A6901-01		1	-				
	Wire Harness		4A7108-01			1	1	-		
			3B1337-01					1		
11	Condenser Fan Harness		4A6193-01					1		
12	Evaporator Fan Harness	CR36A	4A6193-03					1		
		CR49A, CR60A	4A6193-07					1		
		CR72A, CR85A, CR98A, CR110A	4A6193-08					1		

**Title: A. Main Assembly & Refrigeration Circuit**  
**Models: CR36A, CR49A, CR60A, CR72A, CR85A, CR98A, CR110A**

Index No.	Description	Material or Model Number	Part Number	Required Number													
				H-5 to K-5	K-7 to L-5(G)	L-5(H) to L-5(M)	L-6 to N-5	N-6									
<b>Refrigeration Circuit</b>																	
13	Compressor (includes items 14 through 16)		<a href="#">3A9870-01</a>	1	1	1	1	1									
14	Run Capacitor	12MFD 250V	<a href="#">3A9477-01</a>	1	1	1	1	1									
15	Compressor Overload		<a href="#">3A9475-01</a>	1	1	1	1	1									
16	PTC Start Relay (8EA14C3 - 115-127V -3Term)		<a href="#">3A9476-01</a>	1	1	1	1	1									
17	Condenser		<a href="#">2A7544-01</a>	1	1	1	1	1									
18	Evaporator/Condenser Fan Motor	CR36A	<a href="#">4A5343-01</a>	3	3	3	3	-									
		CR49A, CR60A		4	4	4	4	-									
		CR72A, CR85A CR98A, CR110A		5	5	5	5	-									
		CR36A	<a href="#">4A6192-01</a>						3								
		CR49A, CR60A							4								
		CR72A, CR85A CR98A, CR110A							5								
19	Condensate Pan		<a href="#">2A7315-01</a>	1	1	1	1	1									
20	High-Pressure Switch		<a href="#">4A6039-01</a>	1	1	1	1	1									
21	Drier		<a href="#">4A1113-01</a>	1	1	1	1	1									
22	Evaporator	CR36A	<a href="#">2A8513-01</a>	1	1	1	1	1									
		CR49A CR60A	<a href="#">2A8513-02</a>	1	1	1	1	1									
		CR72A CR85A CR98A CR110A	<a href="#">2A8513-04</a>	1	1	1	1	1									
23	Defrost Thermistor	CR36A, CR72A, CR85A, CR98A, CR110A	<a href="#">4A4865-03</a>	1	1	-											
			<a href="#">4A7083-02</a>			1	1	1									
		CR49A, CR60A	<a href="#">4A4865-03</a>	1	1	1	-										
			<a href="#">4A7083-02</a>					1	1								
24	Defrost Thermistor Access Panel		<a href="#">4A5829-01</a>	1	1	1	1	1									
25	Defrost Heater	CR36A	<a href="#">3A6443-05</a>	1	1	1	1	1									
		CR49A CR60A	<a href="#">3A6443-04</a>	1	1	1	1	1									
		CR72A CR85A CR98A CR110A	<a href="#">3A6443-07</a>	1	1	1	1	1									
26	Defrost Safety Thermostat		<a href="#">4A6194-01</a>	1	1	1	1	1									
27	Cabinet Thermistor	CR36A, CR72A, CR85A, CR98A, CR110A	<a href="#">4A4864-02</a>	1	1	-											
			<a href="#">4A7084-02</a>			1	1	1									
		CR49A, CR60A	<a href="#">4A4864-02</a>	1	1	1	-										
			<a href="#">4A7084-02</a>					1	1								
28	Heat Exchanger		<a href="#">3A8623G01</a>	1	1	1	1	1									
29	Accumulator	CR36A	<a href="#">4A6455-01</a>	1	1	1	1	1									

**B. Drawer Assembly**  
**CR36A, CR49A, CR60A, CR72A, CR85A, CR98A, CR110A**  
H-6 to N-6

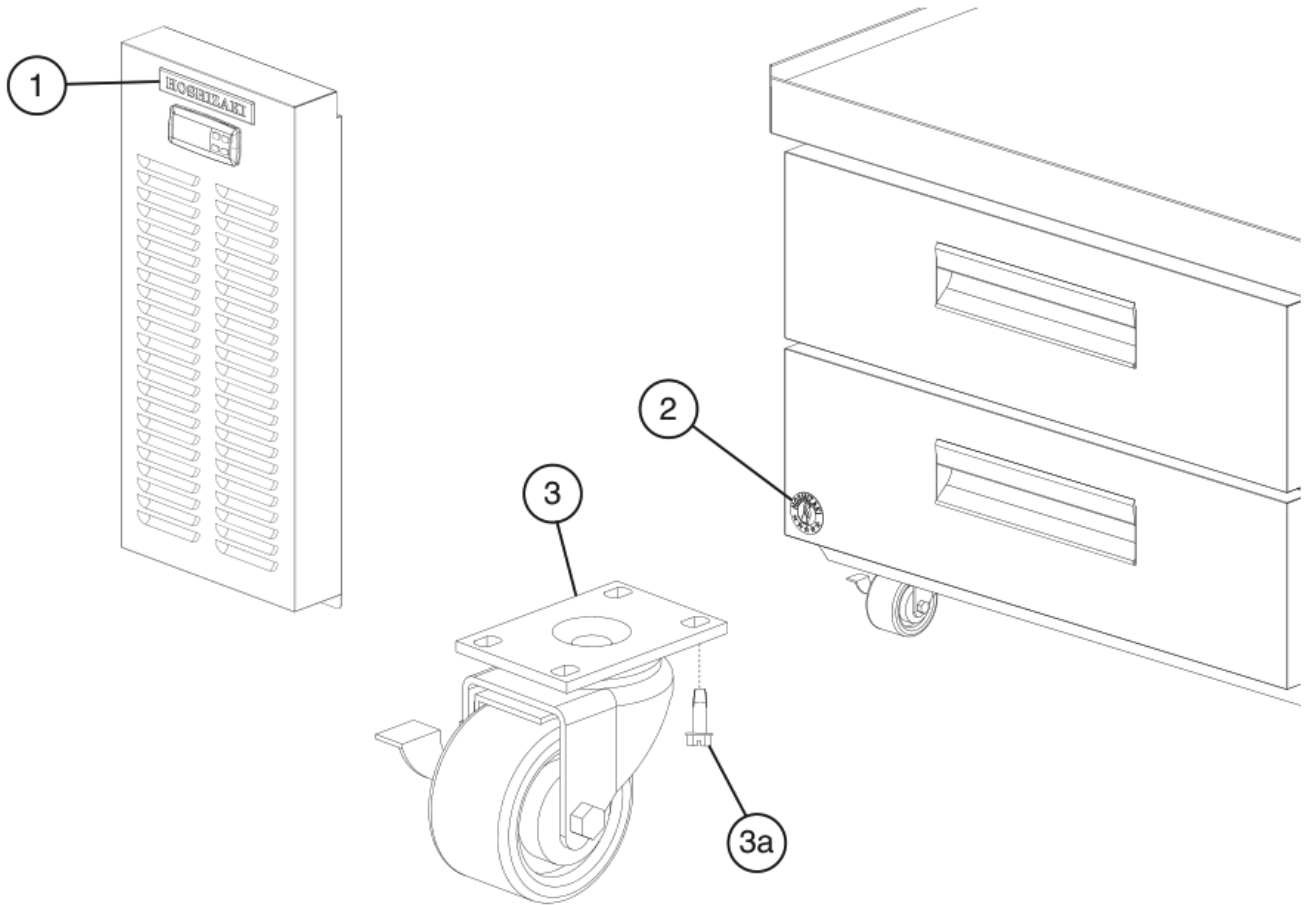


Title: B. Drawer Assembly Models: CR36A, CR49A, CR60A, CR72A, CR85A, CR98A, CR110A											
Index No.	Description	Material or Model Number	Part Number	H-6 to N-6	Required Number Per Section						
1	Drawer Face (includes item 2)	CR36A	2A7723G01	2							
		CR49A CR60A	2A7420G01	2							
		CR72A	2A7369G01	4							
		CR85A (Left)	2A7651G01	2							
		CR85A (Right)	2A7369G01	2							
		CR98A CR110A	2A7651G01	4							
2	Gasket	CR36A	2A5192-21	2							
		CR49A CR60A	2A5192-19	2							
		CR72A	2A5192-18	4							
		CR85A (Left)	2A5192-20	2							
		CR85A (Right)	2A5192-18	2							
		CR98A CR110A	2A5192-20	4							
3	Drawer Box	CR36A	2A7728G01	2							
		CR49A CR60A	2A7417G01	2							
		CR72A	2A7372G01	4							
		CR85A (Left)	2A7650G01	2							
		CR85A (Right)	2A7372G01	2							
		CR98A CR110A	2A7650G01	4							
4	Right Side Roller	CR36A CR49A CR60A	4A5739-02	2							
		CR72A CR85A CR98A CR110A		4							
5	Left Side Roller	CR36A CR49A CR60A	4A5739-05	2							
		CR72A CR85A CR98A CR110A		4							

### C. Accessories & Labels

**CR36A, CR49A, CR60A, CR72A, CR85A, CR98A, CR110A**

H-6 to N-6



Title: C. Accessories & Labels    Models: CR36A, CR49A, CR60A, CR72A, CR85A, CR98A, CR110A															
Index No.	Description	Material or Model Number	Part Number	Required Number											
				H-6 to N-6											
1	Hoshizaki Emblem Label		4A0560-01	1											
2	Penguin Label		475552L02	1											
3	4" Locking Caster	CR36A CR49A CR60A	4A4275-01	4											
		CR72A CR85A		6											
		CR98A CR110A		8											
3a	Hex Bolt	CR36A CR49A CR60A	4A5213-01	16											
		CR72A CR85A		24											
		CR98A CR110A		32											