

---

NO. 71203

ISSUED: FEB. 24, 1999

---

REVISED: MARCH 25, 2002

---



**HOSHIZAKI  
CUBELET ICE DISPENSER**

**MODEL**

**DCM-230FE-UK**

**PARTS LIST**

**DCM-230FE-UK**

**H-0 June, 1998**  
**J-0 Feb., 1999**  
**J-1 Sept., 1999**  
**K-0 Jan., 2000**  
**L-0 April, 2001**

## MATERIAL ABBREVIATIONS

### ALUMINUM

AL = Aluminum

### COPPER

CU = Copper

### PLASTIC

ABS = Acrylonitrile -butadiene - styrene  
AC = Polyacetal  
EVA = Ethylene vinyl acetate  
PA = Polyamide = Nylon  
PC = Polycarbonate  
PE = Polyethylene  
PES = Polyester  
PETP = Polyethylene terephthalate = Tetlon  
PP = Polypropylene  
PS = Polystyrene  
PTFE = Polytetrafluoroethylene = Teflon  
PUR = Polyurethane  
PVC = Polyvinyl chloride

### RUBBER

VN = Vinyl Nitrile  
EPDM = EP rubber  
NBR = Nitrile butadiene rubber  
NR = Natural rubber  
NP = Neoprene  
SI.R = Silicone rubber  
SY.R = Synthetic rubber  
EPH = Epichlorohydrin

### STEEL

G.S = Galvanized steel  
S.S = Stainless steel  
PS = Plated steel  
PAS = Primed steel

## AUXILIARY CODE

Ex.1

K-0

└─── "K" is the tenth in alphabetical order with "I" skipped. So, "K" indicates "2000".

**(Note)** - = Part deleted.

x = Part deleted and replaced by "o" part (interchangeable).

Ex.2

L-0

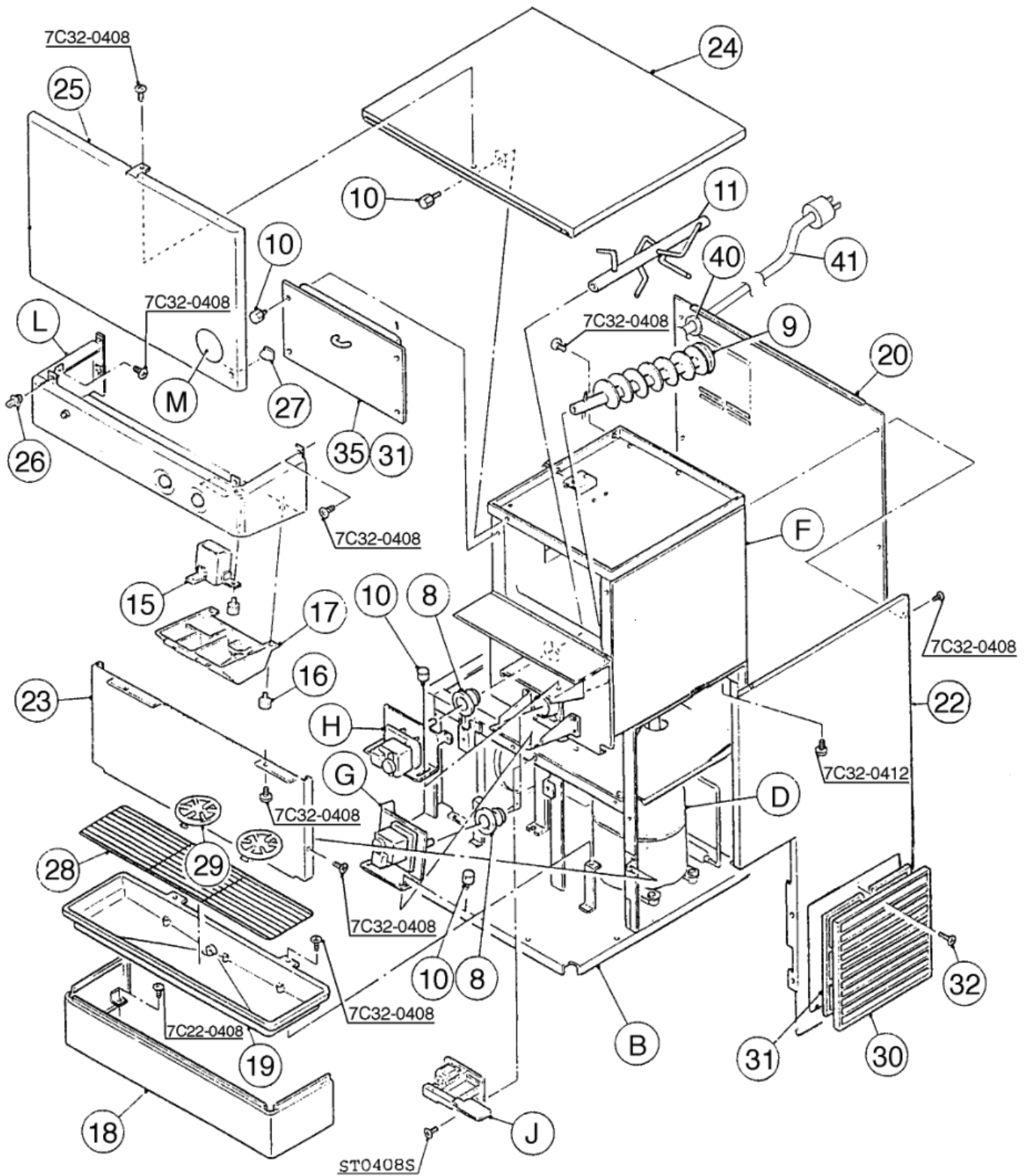
└─── "L" is the next in alphabetical order. So, "L" indicates "2001".

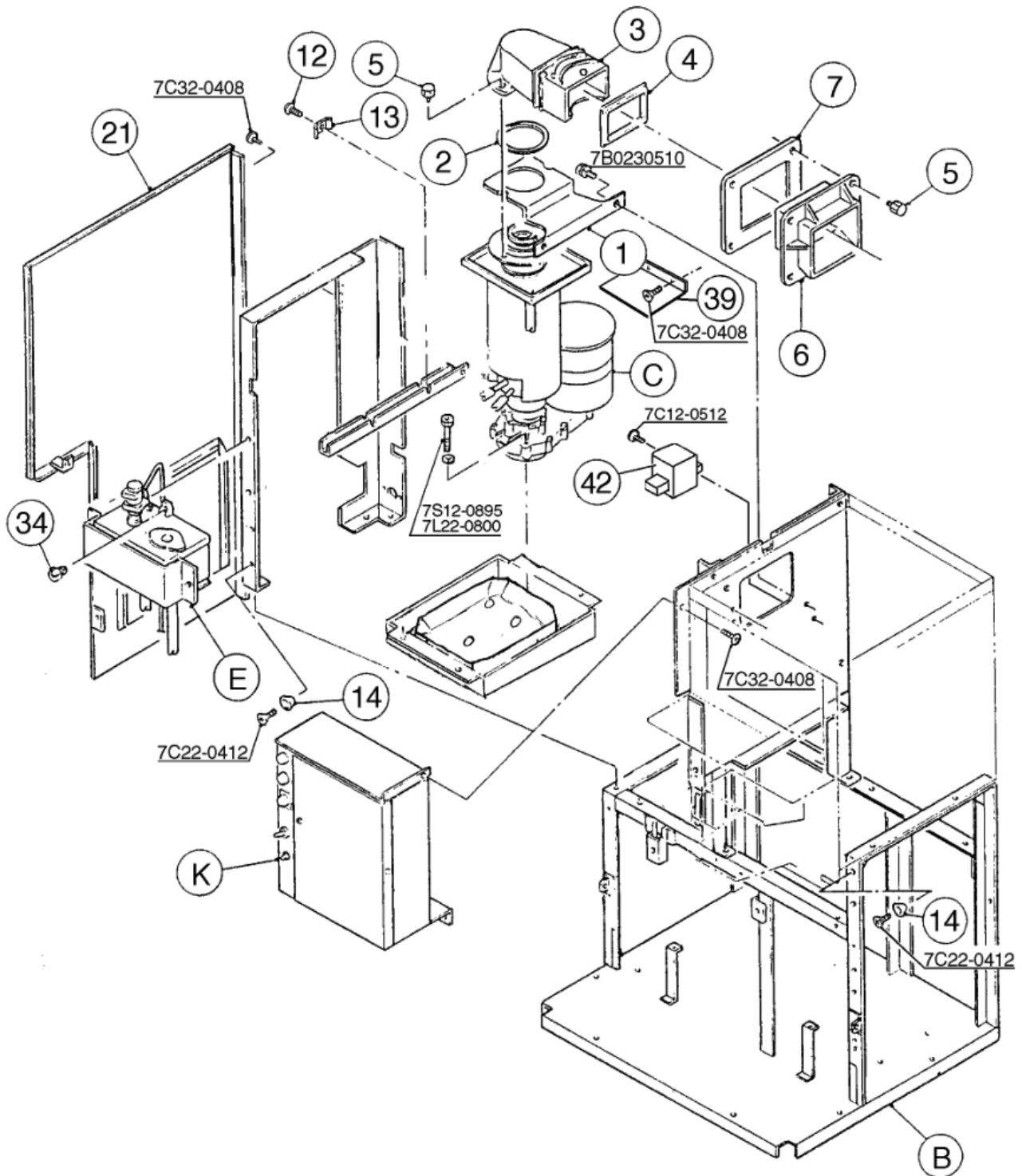
o = New part for "x" in the same auxiliary code.

Ex.3

L-1

└─── Each time a part is changed non-interchangeably in a year, this number advances.





**MODEL: DCM-230FE-UK TITLE: A. ICE DISPENSER ASSEMBLY**

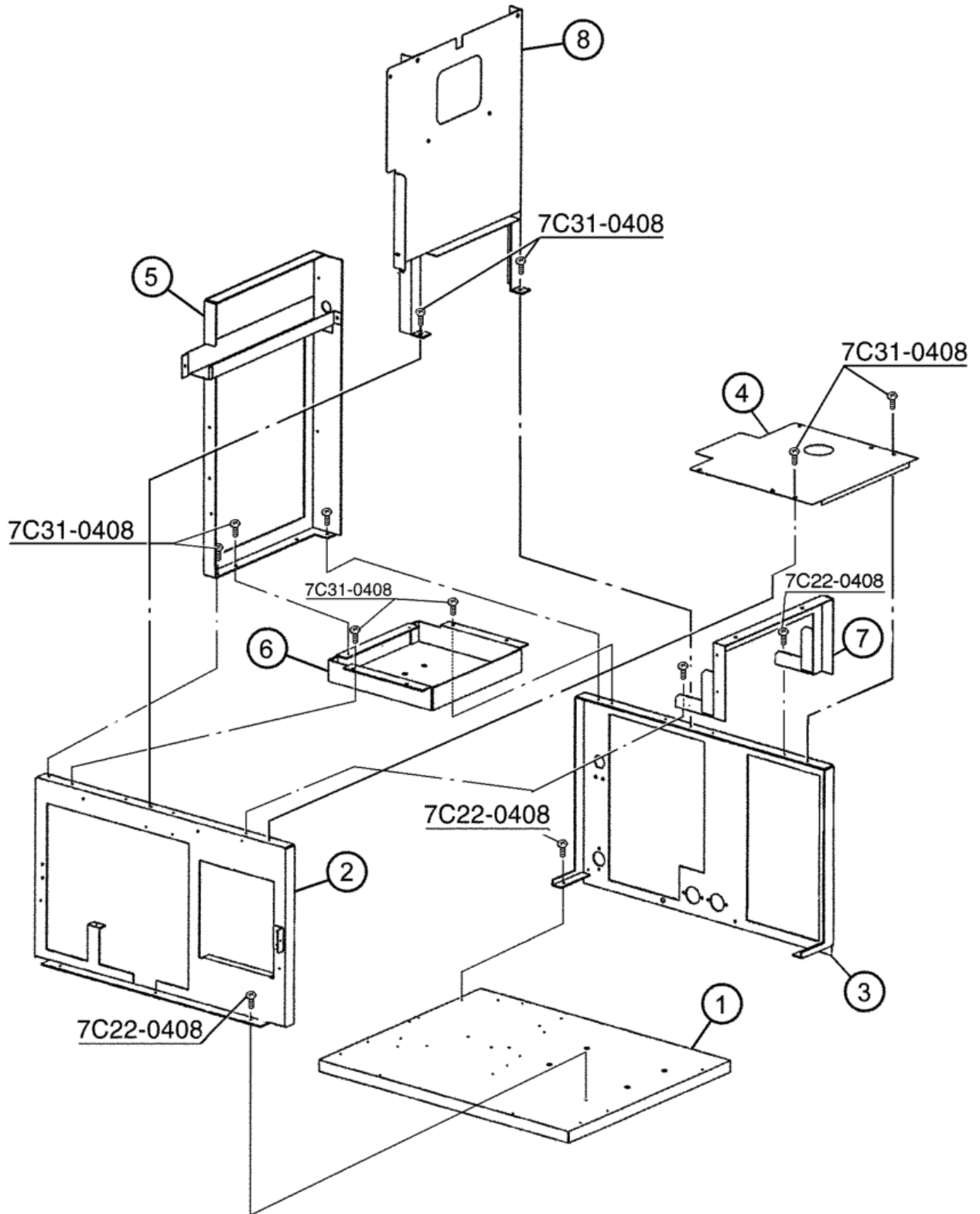
INDEX NO.	DESCRIPTION	MATERIAL OR MODEL NUMBER	PART NUMBER	REQUIRED NUMBER								
				H-0	J-0	J-1	K-0	L-0				
B	FRAME ASSEMBLY	-	2A0388A02	1	1	1	1	1				
C	EVAPORATOR ASSEMBLY	-	3A0623A02	1	1	1	1	-				
		-	3A0623A03					1				
	SOCKET HEAD HEX BOLT	SS, 8 X 90	7S12-0890	3	3	3	x3					
		SS, 8 X 95	7S12-0895				o3	3				
	SPLIT LOCK WASHER	SS, 8	7L22-0800	3	3	3	3	3				
D	REFRIGERATION CIRCUIT	-	227579A01	1	1	1	1	-				
		-	227579A02					1				
E	WATER CIRCUIT	-	227578A01	1	1	1	1	1				
F	BIN ASSEMBLY	-	2A0413A01	1	1	1	1	1				
	TRUSS HEAD SCREW	SS, 4 X 8	7C32-0408	3	3	3	3	3				
	TRUSS HEAD SCREW	4 X 12	7C31-0412	2	2	2	2	2				
G	GEAR MOTOR ASSEMBLY	-	4A0622A01	1	1	1	1	1				
H	GEAR MOTOR ASSEMBLY	-	4A0620A01	1	1	1	1	1				
J	SHUTTER ASSEMBLY	-	2A0410A02	1	1	1	1	1				
	TRUSS HEAD SCREW	SS, 4 X 8	7C32-0408	2	2	2	2	2				
K	CONTROL BOX ASSEMBLY	-	227569A01	1	1	-						
		-	227569A02			1	1	1				
	TRUSS HEAD SCREW	4 X 8	7C31-0408	3	3	3	3	3				
L	MIDDLE FRONT PANEL ASSEMBLY	-	2A0409A02	1	1	1	1	1				
	TRUSS HEAD SCREW	SS, 4 X 8	7C32-0408	2	2	2	2	2				
M	LABEL LOCATION	-	227585A01	1	1	-						
		-	227585A03			1	1	1				
1	BRACKET - EVAPORATOR	-	3A0360-01	1	1	1	1	1				
	HEX HEAD BOLT W/WASHER (LF)	SS, 5 X 10	7B0230510	2	2	2	2	2				
2	PACKING	-	427151-02	1	1	1	1	1				
3	SPOUT	-	103329G01	1	1	1	1	1				
4	PACKING (A) - SPOUT	-	427195-01	1	1	1	1	1				

**MODEL: DCM-230FE-UK TITLE: A. ICE DISPENSER ASSEMBLY**

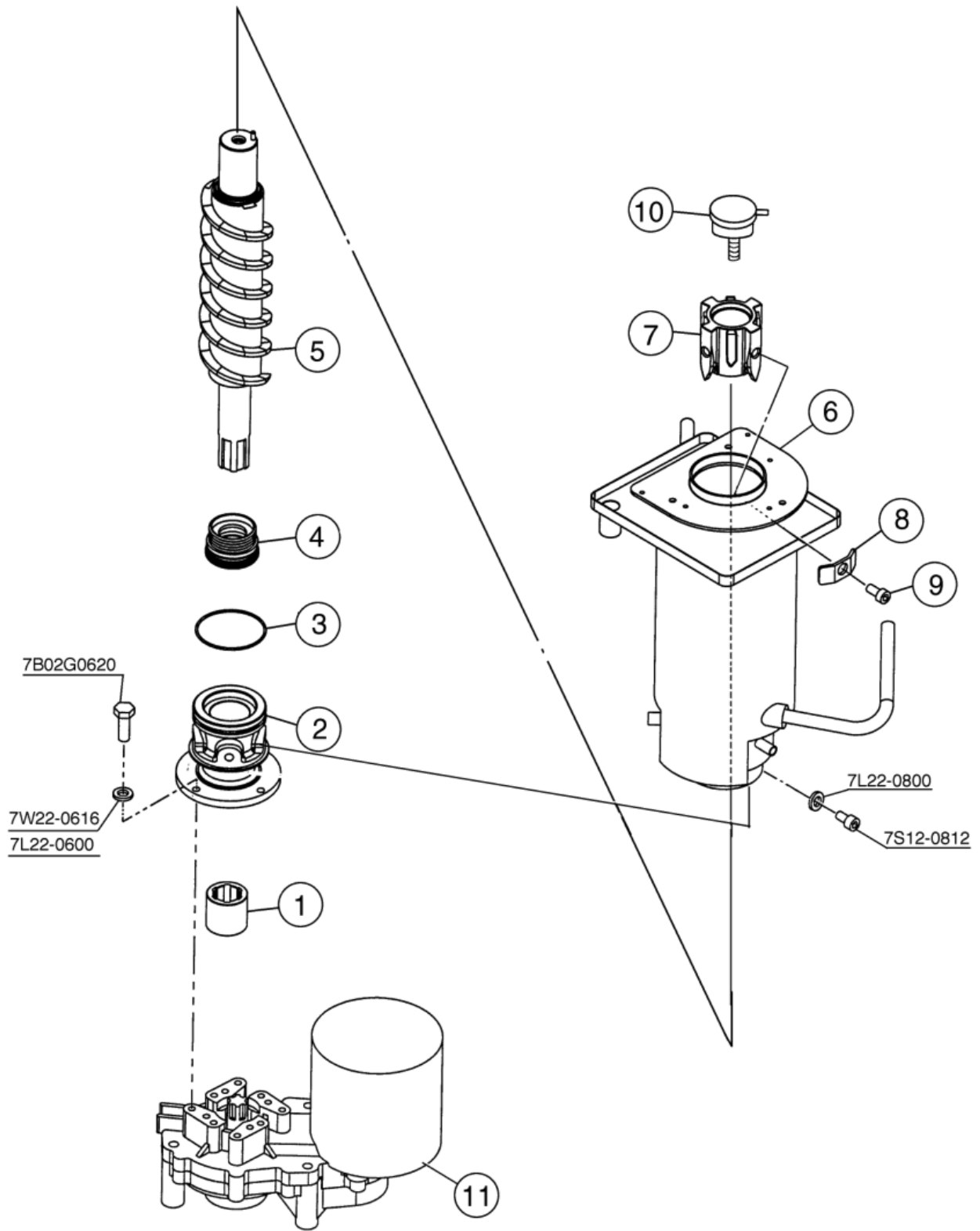
INDEX NO.	DESCRIPTION	MATERIAL OR MODEL NUMBER	PART NUMBER	REQUIRED NUMBER						
				H-0	J-0	J-1	K-0	L-0		
5	THUMBSCREW	-	415949G03	7	7	7	7	7		
6	SPOUT (B)	-	208807-01	1	1	1	1	1		
7	PACKING(B) - SPOUT	-	427196-01	1	1	1	1	1		
8	GASKET	-	429758-01	2	2	2	2	2		
9	AUGER	-	339192G01	1	1	1	1	1		
10	THUMBSCREW	-	415949G05	11	11	11	11	11		
11	AGITATOR	-	3A0895G01	1	1	1	1	1		
12	SCREW - GROUNDING	-	433304-02	1	1	1	1	1		
13	WASHER	-	433537-02	1	1	1	1	1		
14	COLLAR	-	4H0171-01	2	2	2	2	2		
	FLAT HEAD SCREW	SS, 4 X 12	7C22-0412	2	2	2	2	2		
15	ICE CHUTE	-	439788G01	1	1	1	x1			
		-					o1	1		
16	THUMBSCREW	-	415949G08	4	4	4	4	4		
17	SPOUT COVER	-	215773-01	1	1	1	1	1		
18	PANEL (LO)	-	2A0699G01	1	1	1	1	1		
	FT SCREW	SS, 4 X 8	7F32-0408	6	6	6	6	6		
19	TRAY - DRIP	-	105219G01	1	1	1	1	1		
	TRUSS HEAD SCREW	SS, 4 X 8	7C32-0408	4	4	4	4	4		
20	REAR PANEL	-	227590-01	1	1	1	1	1		
	TRUSS HEAD SCREW	SS, 4 X 8	7C32-0408	4	4	4	4	4		
21	SIDE PANEL (L)	-	227576-01	1	1	1	1	1		
	TRUSS HEAD SCREW	SS, 4 X 8	7C32-0408	6	6	6	6	6		
22	SIDE PANEL (R)	-	2A0695-01	1	1	1	1	1		
	TRUSS HEAD SCREW	SS, 4 X 8	7C32-0408	6	6	6	6	6		
23	APRON PANEL	-	2A0720-01	1	1	1	1	1		
	TRUSS HEAD SCREW	SS, 4 X 8	7C32-0408	2	2	2	4	4		
	FLAT HEAD SCREW	SS, 4 X 12	7C22-0412	2	2	2	-			
24	TOP PANEL	-	3A0640G01	1	1	1	x1			
		-	3A1728G01				o1	1		

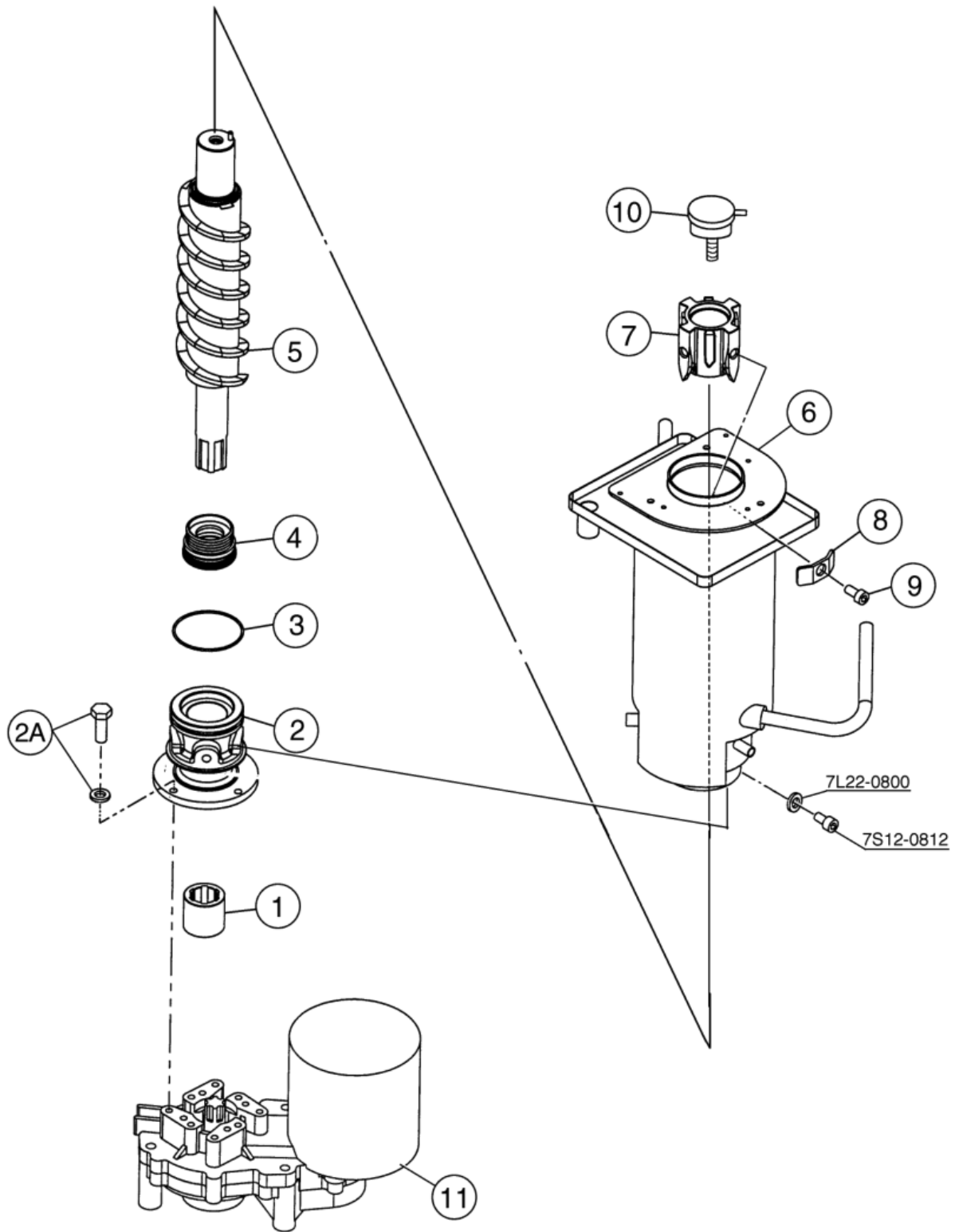
**MODEL: DCM-230FE-UK    TITLE: A. ICE DISPENSER ASSEMBLY**

INDEX NO.	DESCRIPTION	MATERIAL OR MODEL NUMBER	PART NUMBER	REQUIRED NUMBER							
				H-0	J-0	J-1	K-0	L-0			
25	FRONT PANEL	-	3A1089G01	1	1	1	1	1			
	TRUSS HEAD SCREW	SS, 4 X 8	7C32-0408	1	1	1	1	1			
26	STRIKE	-	4A0515-01	2	2	2	2	2			
27	LATCH	-	4A0508-03	2	2	2	2	2			
28	GRILLE	-	2A0827G01	1	1	1	1	1			
29	GUIDE - CUP	-	326702-01	2	2	2	2	2			
30	LOUVER (B)	-	103121-03	2	2	2	2	2			
31	AIR FILTER (B)	-	208283G03	1	1	1	1	1			
32	TAPPING SCREW - BLACK	-	433954-01	2	2	2	2	2			
33	SPACER	-	419945-01	2	2	2	2	2			
34	BUSHING	-	420472-03	1	1	1	1	1			
35	COVER – BIN	-	2A0880A01	1	1	1	x1				
		-	2A0880A02				o1	1			
36	-	-	-								
37	-	-	-								
38	-	-	-								
39	MOTOR COVER	-	3A1058-01	1	1	1	1	1			
	TRUSS HEAD SCREW	SS, 4 X 8	7C32-0408	2	2	2	2	2			
40	BUSHING	-	450414-01	1	1	1	1	1			
41	POWER SUPPLY CORD	-	452359-02	1	1	1	1	1			
42	TRANSFORMER	-	436249-01	1	1	1	1	1			
	PAN HEAD SCREW W/WASHER (LF)	SS, 5 X 12	7C12-0512	4	4	4	4	4			



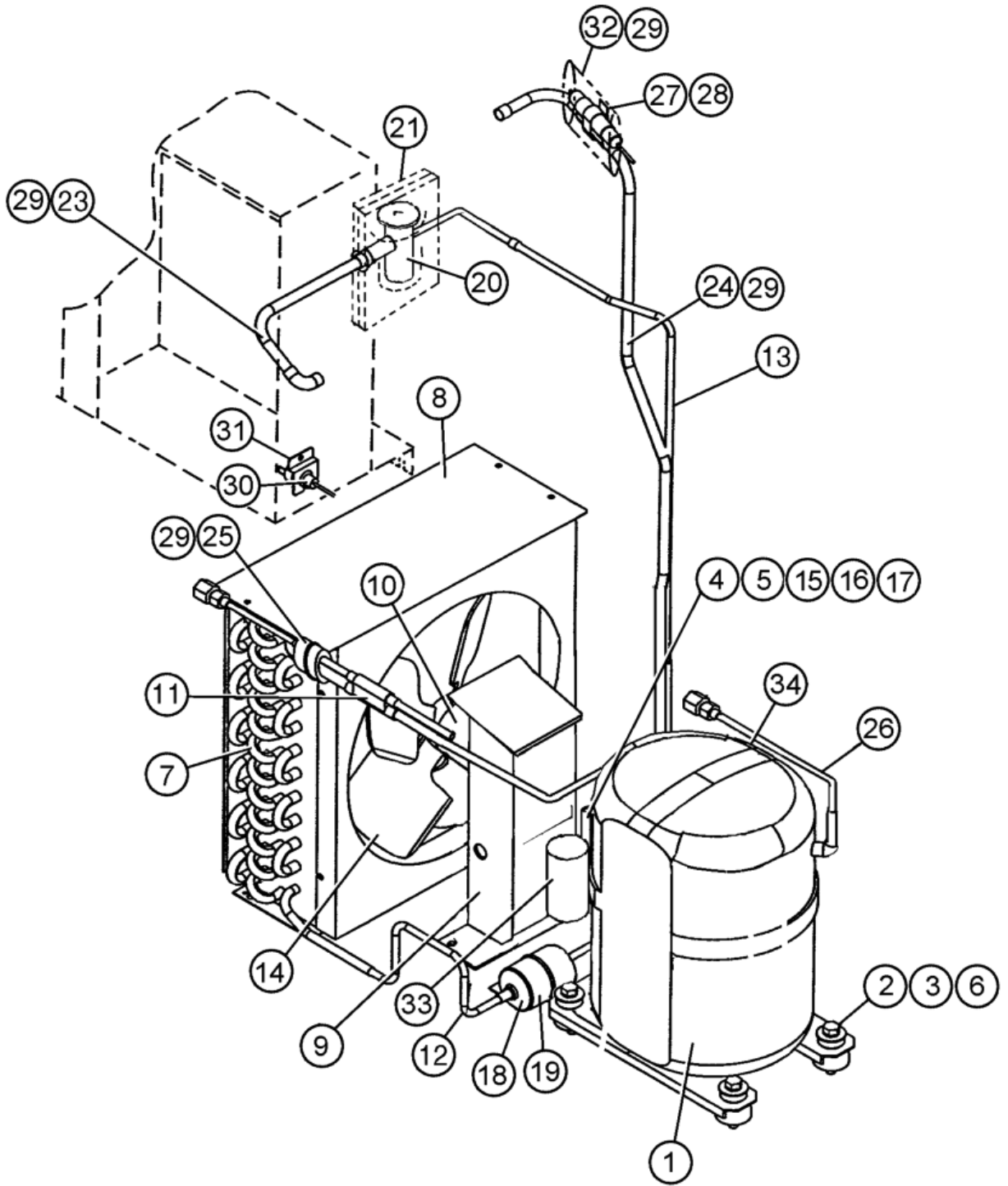






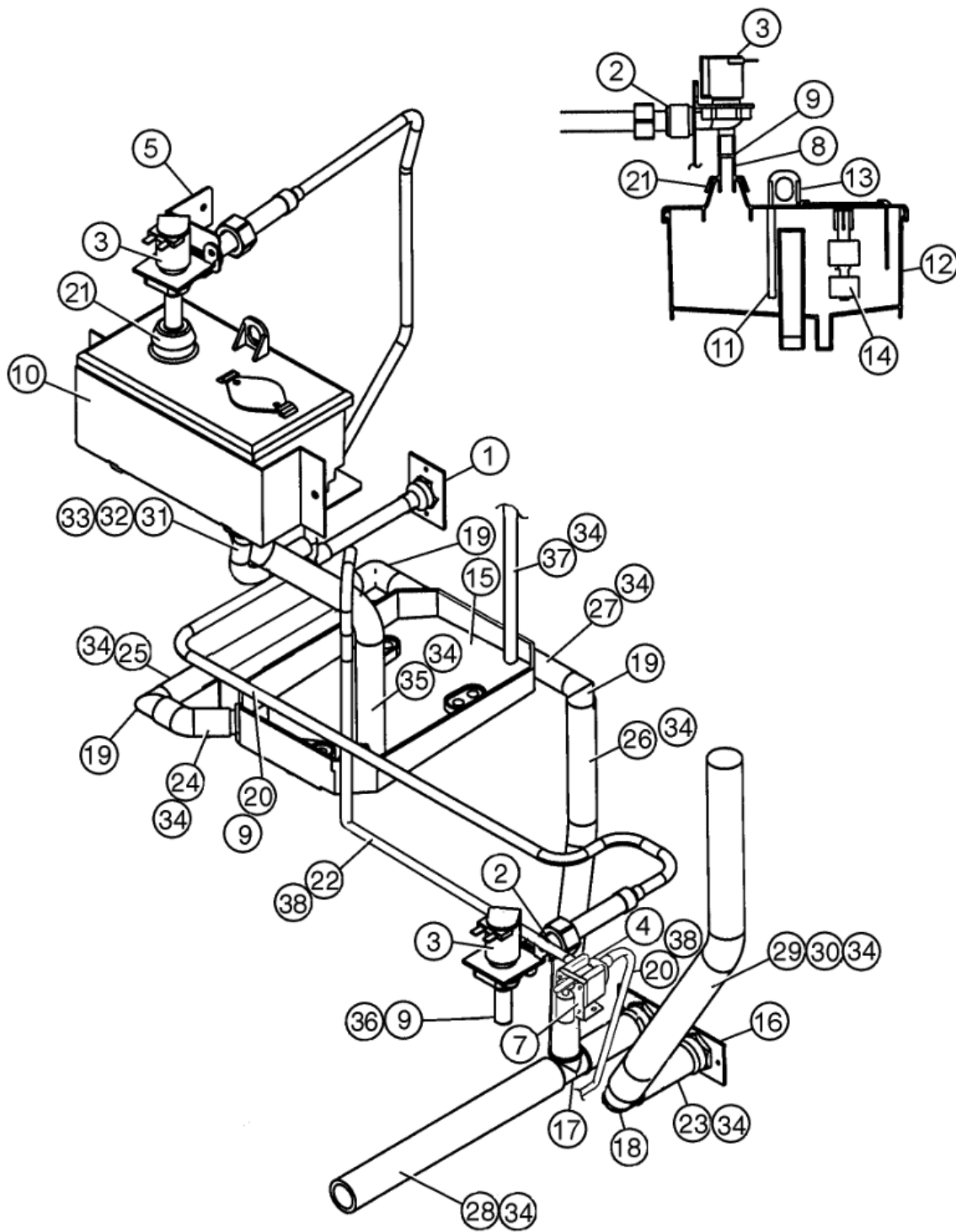
**MODEL: DCM-230FE-UK TITLE: C. EVAPORATOR ASSEMBLY**

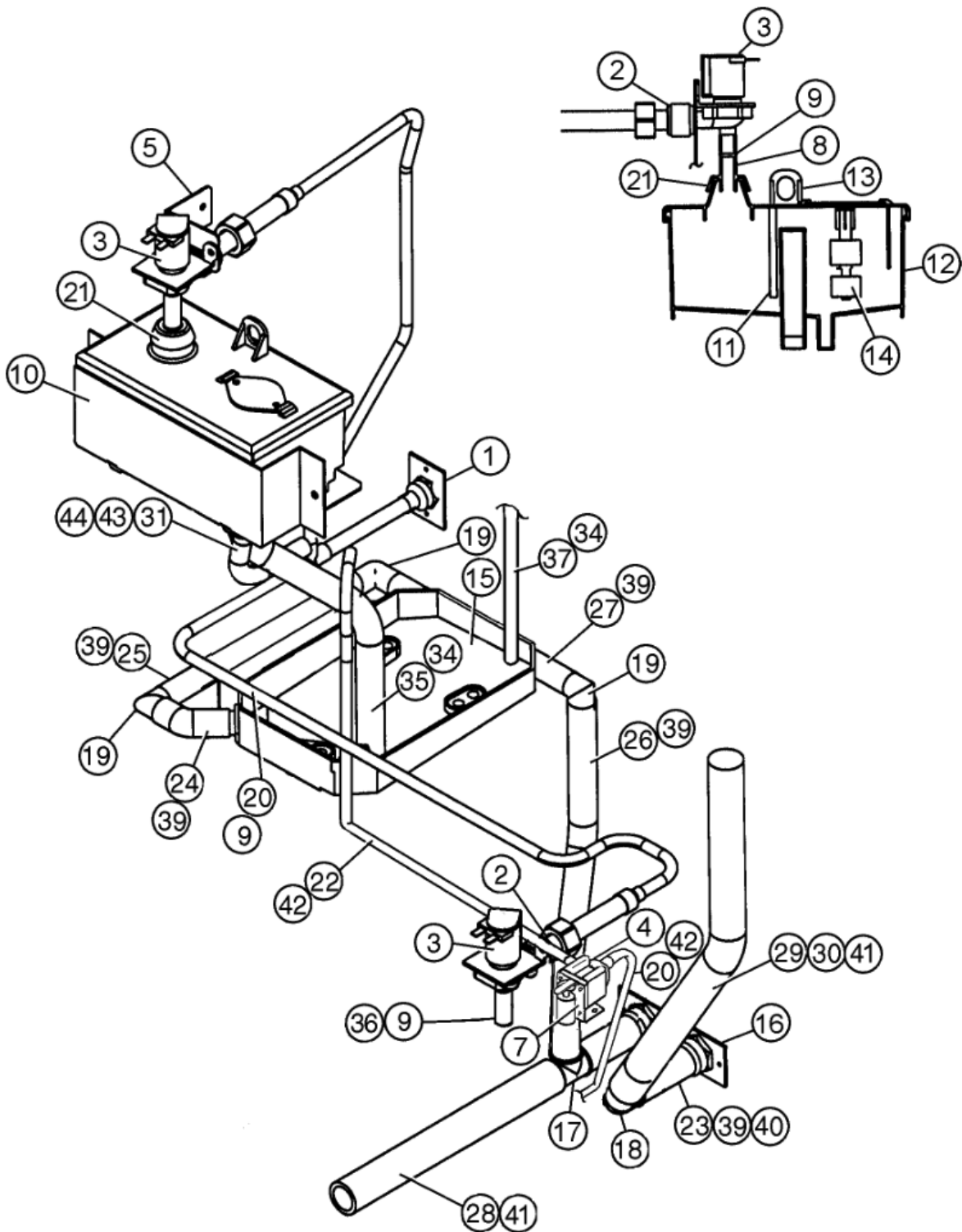
INDEX NO.	DESCRIPTION	MATERIAL OR MODEL NUMBER	PART NUMBER	REQUIRED NUMBER									
				H-0	J-0	J-1	K-0	L-0					
1	COUPLING – SPLINE	-	4A1297-01	1	1	1	1	1					
2	HOUSING	-	2A0947G01	1	1	1	1	1					
	HEX BOLT (GOLD STAINLESS)	6 X 20	7B02G0620	4	4	4	4	x4					
2A	BOLT	-	458660-01					o4					
	PLAIN WASHER	-	7W22-0616	4	4	4	4	-					
	SPLIT LOCK WASHER	SS, 6	7L22-0600	4	4	4	4	-					
3	“O” RING	G65	7616-G065	2	2	2	2	2					
4	MECHANICAL SEAL	HK9A-MN DIAM 30	432492-01	1	1	1	1	1					
5	AUGER	-	2A0960G02	1	1	1	x1						
		-	2A0932G02				o1	1					
6	EVAPORATOR	-	319154G02	1	1	1	1	-					
		-	2A1733G01					1					
	SOCKET HEAD CAP SCREW	SS, 8 X12	7S12-0812	4	4	4	4	4					
	SPLIT LOCK WASHER	8	7L22-0800	4	4	4	4	4					
7	EXTRUDING HEAD – 70C	-	216530G01	1	1	1	x1						
		-	216530G04				o1	1					
8	WASHER	-	427184-01	4	4	4	4	4					
9	SOCKET HEAD CAP SCREW	SS, 8 X 14	429121-01	4	4	4	4	4					
10	CUTTER	-	427183G01	1	1	1	1	1					
11	GEAR MOTOR	-	4A1296-01	1	1	1	x1						
		-	4A2194-01				o1	1					



MODEL: <b>DCM-230FE-UK</b> TITLE: <b>D. REFRIGERATION CIRCUIT</b>										
INDEX NO.	DESCRIPTION	MATERIAL OR MODEL NUMBER	PART NUMBER	REQUIRED NUMBER						
				H-0	J-0	J-1	K-0	L-0		
1	COMPRESSOR	-	4A1462-01	1	1	1	1	1		
2	RUBBER GROMMET	-	4A1452-01	4	4	4	4	4		
3	SLEEVE	-	4A1451-01	4	4	4	4	4		
4	START RELAY	-	4A1455-01	1	1	1	1	1		
5	RELIEF ASSEMBLY	-	4A1454-01	1	1	1	1	1		
6	BOLT	-	4A1459-01	4	4	4	4	4		
7	CONDENSER	-	210104-02	1	1	1	1	1		
	FT SCREW	SS, 4 X 8	7F32-0408	3	3	3	3	3		
8	SHROUD	-	2A0728-01	1	1	1	1	1		
	T2 SCREW	4 X 8	7P31-0408	6	6	6	6	6		
9	FAN MOTOR BRACKET	-	3A0365-01	1	1	1	1	1		
10	FAN MOTOR	-	2U0076-01	1	1	1	1	1		
	HEX HEAD BOLT W/WASHER (LF)	SS, 5 X 12	7B0230512	4	4	4	4	4		
	SELF-LOCKING NUT	No. 8-32	7N2110832	4	4	4	4	4		
11	COPPER TUBE	COPPER	340288G01	1	1	1	1	1		
12	COPPER TUBE	COPPER	453831-01	1	1	1	1	1		
13	COPPER TUBE	COPPER	340129-01	1	1	1	1	1		
14	FAN BLADE	-	425729-01	1	1	1	1	1		
15	COVER ASSEMBLY	-	4A1453-01	1	1	1	1	1		
16	WASHER	-	4A1450-01	4	4	4	4	4		
17	SCREW	-	425729F01	4	4	4	4	4		
18	DRIER	-	4A1113-01	1	1	1	1	1		
19	DRIER BRACKET	-	445847-01	1	1	1	1	1		
	FT SCREW	SS, 4 X 8	7F32-0408	1	1	1	1	1		
20	EXPANSION VALVE	-	4A1117-01	1	1	1	1	1		
21	EXP. VALVE COVER	-	4A1168-01	1	1	1	1	1		







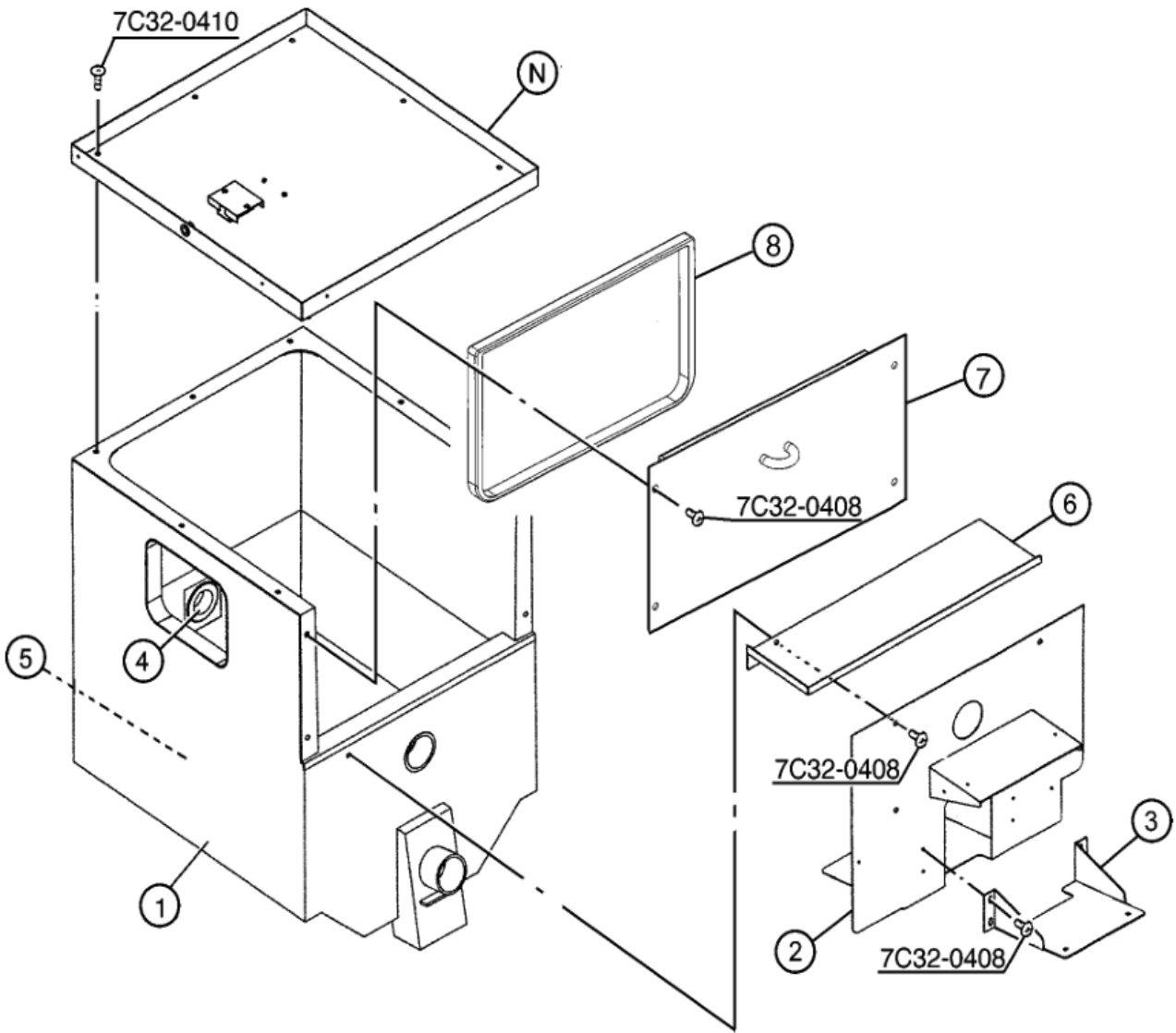
## MODEL: DCM-230FE-UK

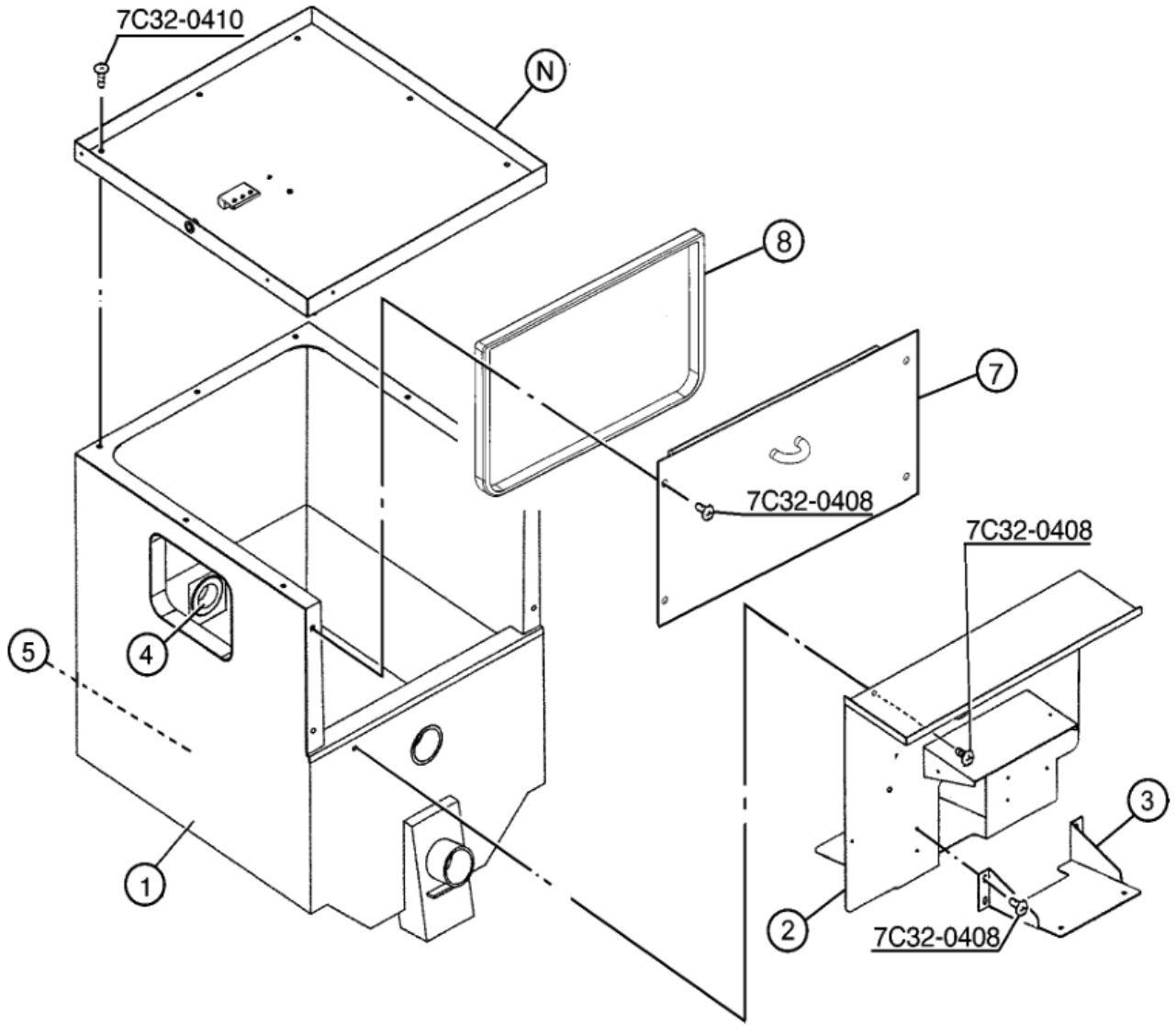
## TITLE: E. WATER CIRCUIT

INDEX NO.	DESCRIPTION	MATERIAL OR MODEL NUMBER	PART NUMBER	REQUIRED NUMBER							
				H-0	J-0	J-1	K-0	L-0			
1	WATER SUPPLY PIPE	-	2A0680G02	1	1	1	1	1			
	T2 SCREW	4 X 8	7P31-0408	2	2	2	2	2			
2	RUBBER GASKET	-	413854-02	2	2	2	2	2			
3	WATER VALVE	-	452358-03	2	2	2	2	2			
4	VALVE ASSEMBLY	-	320803A02	1	1	1	1	1			
	TRUSS HEAD SCREW	4 X 8	7C31-0408	6	6	6	6	6			
5	WATER VALVE BRACKET (A)	-	453689-01	1	1	1	1	1			
6	-	-	-								
7	WATER VALVE BRACKET (C)	-	453690-01	1	1	1	1	1			
	T2 SCREW	4 X 8	7P31-0408	4	4	4	4	4			
	TRUSS HEAD SCREW	4 X 8	7C31-0408	2	2	2	2	2			
8	HOSE (C)	-	425289-02	2	2	2	2	2			
9	CLAMP	-	435934-04	2	x2						
		-	4A2017-07		o2	2	2	2			
10	BRACKET - RESERVOIR	-	3A0356-01	1	1	1	1	1			
	TRUSS HEAD SCREW	4 X 8	7C31-0408	2	2	2	2	2			
11	SEPARATOR - RESERVOIR	-	4A1255-01	1	1	1	1	1			
12	RESERVOIR	-	2A0753-01	1	1	1	1	1			
13	RESERVOIR COVER	-	214810-01	1	1	1	1	1			
14	FLOAT SWITCH	-	435490-01	1	1	1	1	1			
15	DRAIN PAN	-	323765G02	1	1	1	1	1			
16	FITTING	-	4A0776G01	2	2	2	2	2			
	T2 SCREW	4 X 8	7P31-0408	4	4	4	4	4			
17	TEE	-	4A0525-04	1	1	1	1	1			
18	ELBOW	-	4A1016-01	1	1	1	1	1			
19	ELBOW	-	4A1017-01	2	3	2	2	3			
20	VINYL HOSE	L=425	7725-0912	1	1	1	1	1			
21	COVER - RESERVOIR INLET	-	415094-01	1	1	1	1	1			

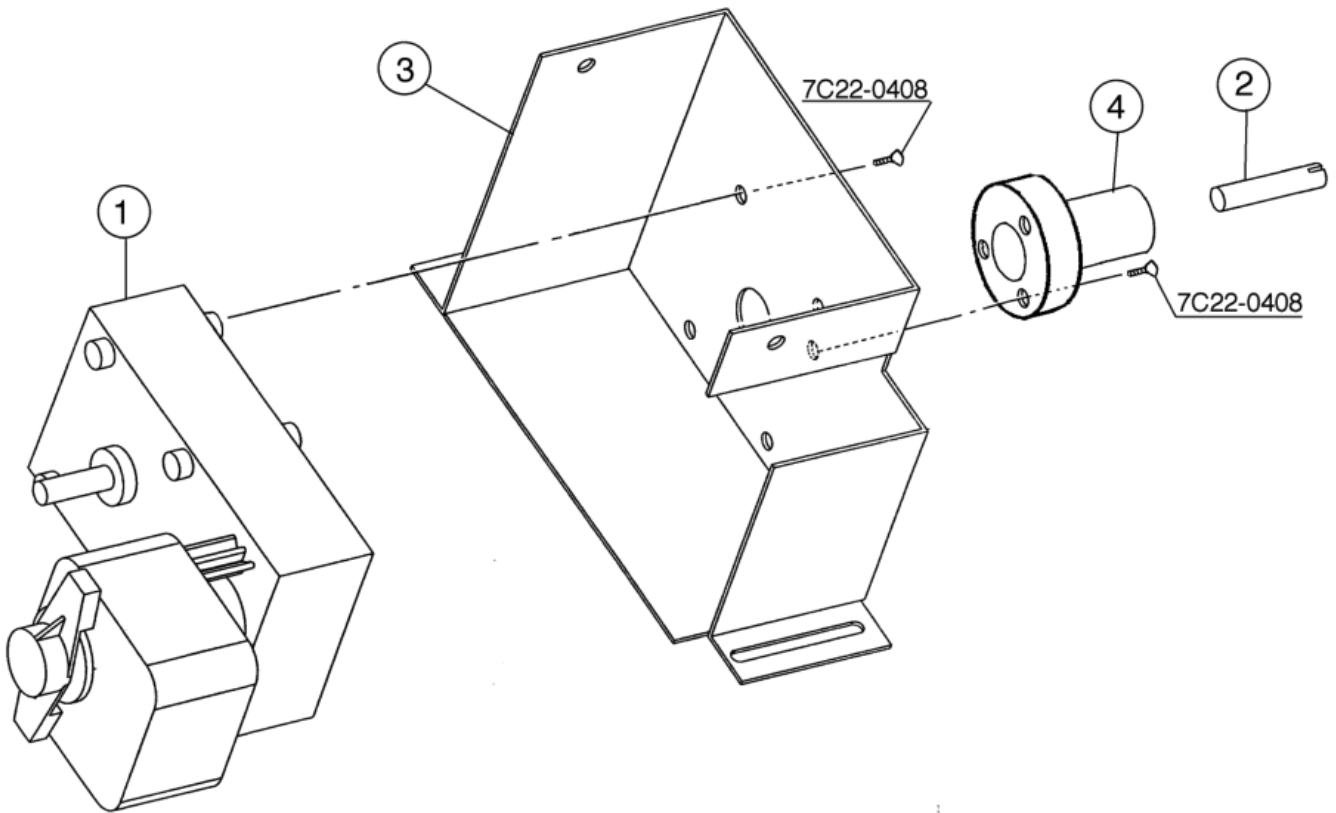
**MODEL: DCM-230FE-UK TITLE: E. WATER CIRCUIT**

INDEX NO.	DESCRIPTION	MATERIAL OR MODEL NUMBER	PART NUMBER	REQUIRED NUMBER							
				H-0	J-0	J-1	K-0	L-0			
22	VINYL HOSE	L=630	7725-0912	1	1	1	1	1			
23	VINYL HOSE	L=70	7716-2025	2	2	2	2	2			
24	VINYL HOSE	L=50	7725-1923	1	1	1	1	1			
25	VINYL HOSE	L=240	7725-1923	1	1	1	1	1			
26	VINYL HOSE	L=320	7725-1923	1	1	1	1	1			
27	VINYL HOSE	L=205	7725-1923	1	1	1	1	1			
28	VINYL HOSE	L=250	4A0658L01	1	1	1	1	1			
29	VINYL HOSE	L=385	4A0658L01	1	1	1	1	1			
30	INSULATION HOSE	L=450	7762-2943	1	1	1	1	1			
31	RESERVOIR HOSE	-	4A1165-02	1	1	1	1	1			
32	CLAMP	-	435934-05	1	-						
33	CLAMP	-	435934-06	1	-						
34	CABLE TIE	-	7920-0003	18	4	4	4	4			
35	VINYL HOSE	L=350	7725-1923	1	1	1	1	1			
36	HOSE (C)	-	425289-05	1	1	1	1	1			
37	VINYL HOSE	L=500	7725-1923	1	1	1	1	1			
38	CLIP BAND (C)	-	423866-03	3	-						
39	HOSE CLAMP	-	4A2017-01		10	10	10	10			
40	HOSE CLAMP	-	4A2017-02		2	2	2	2			
41	HOSE CLAMP	-	4A2017-03		4	4	4	4			
42	HOSE CLAMP	-	4A2017-04		3	3	3	3			
43	HOSE CLAMP	-	4A2017-05		1	1	1	1			
44	HOSE CLAMP	-	4A2017-06		1	1	1	1			

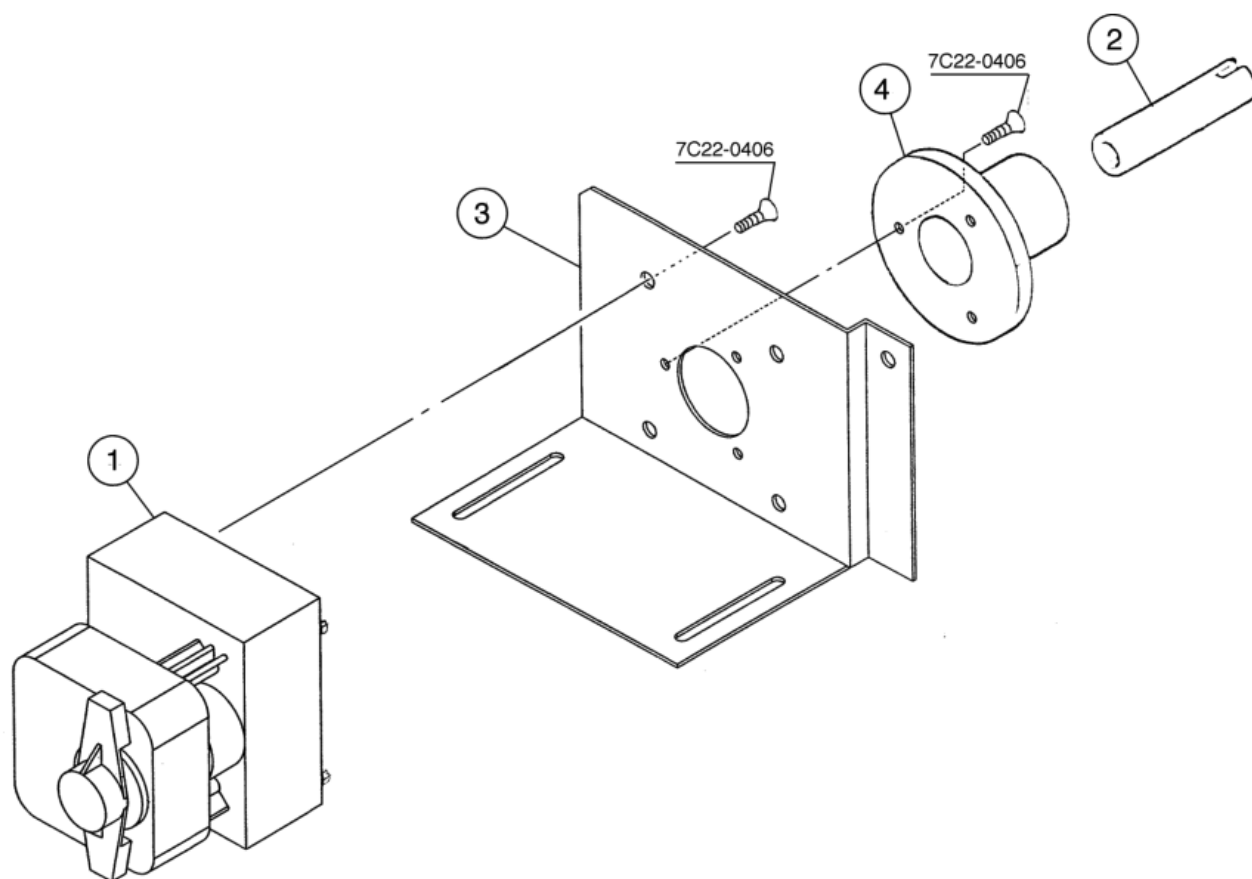




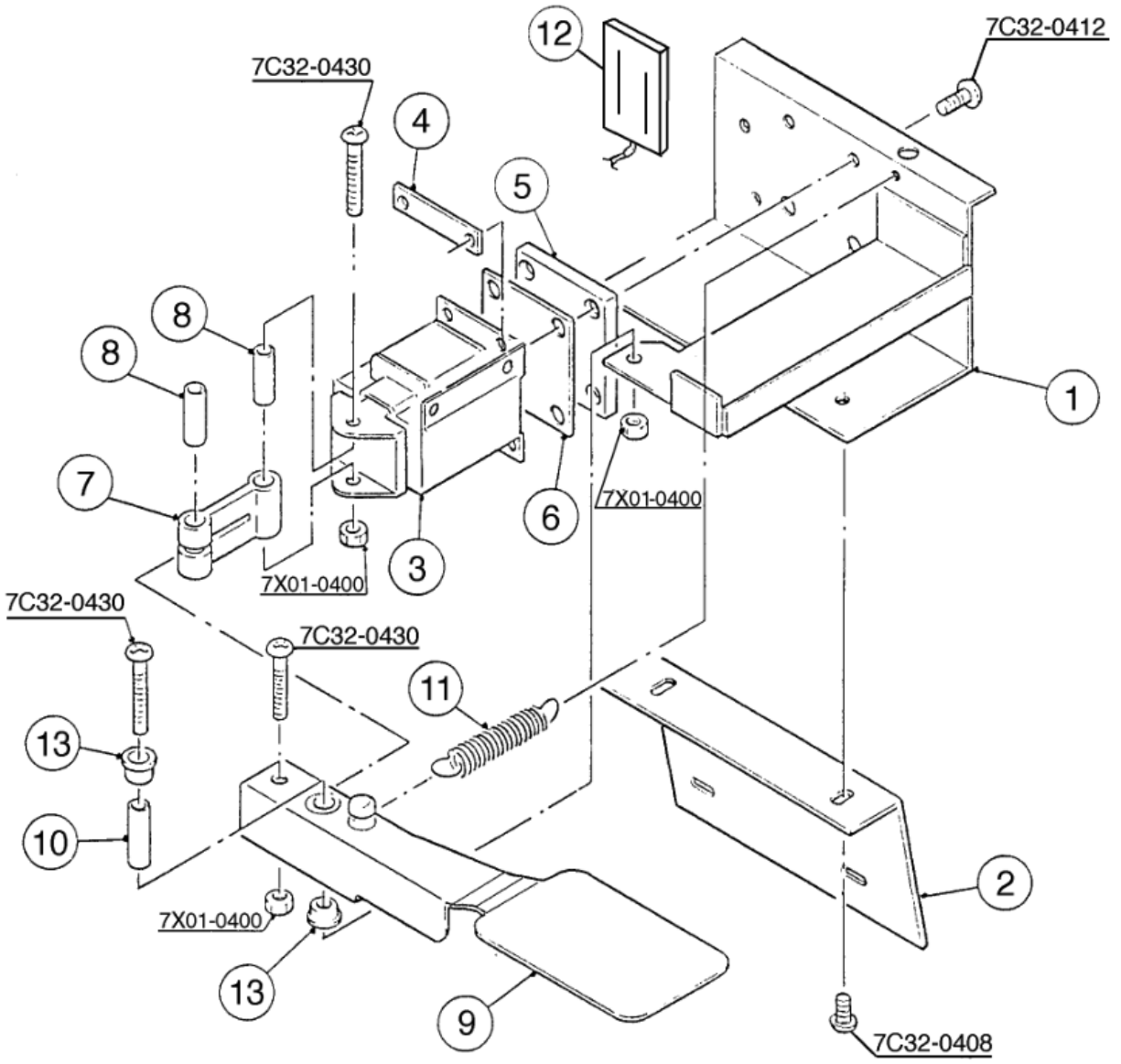


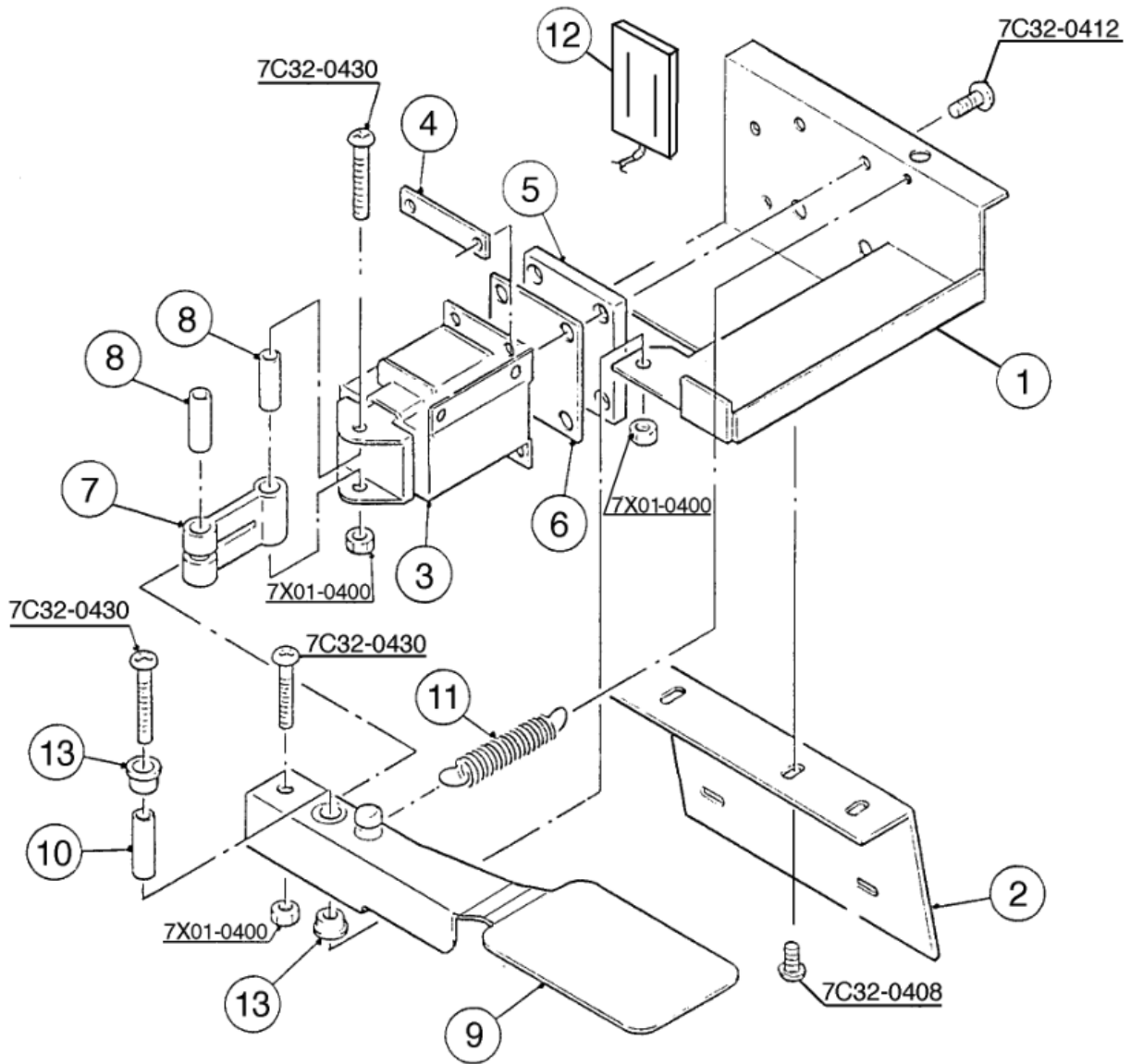








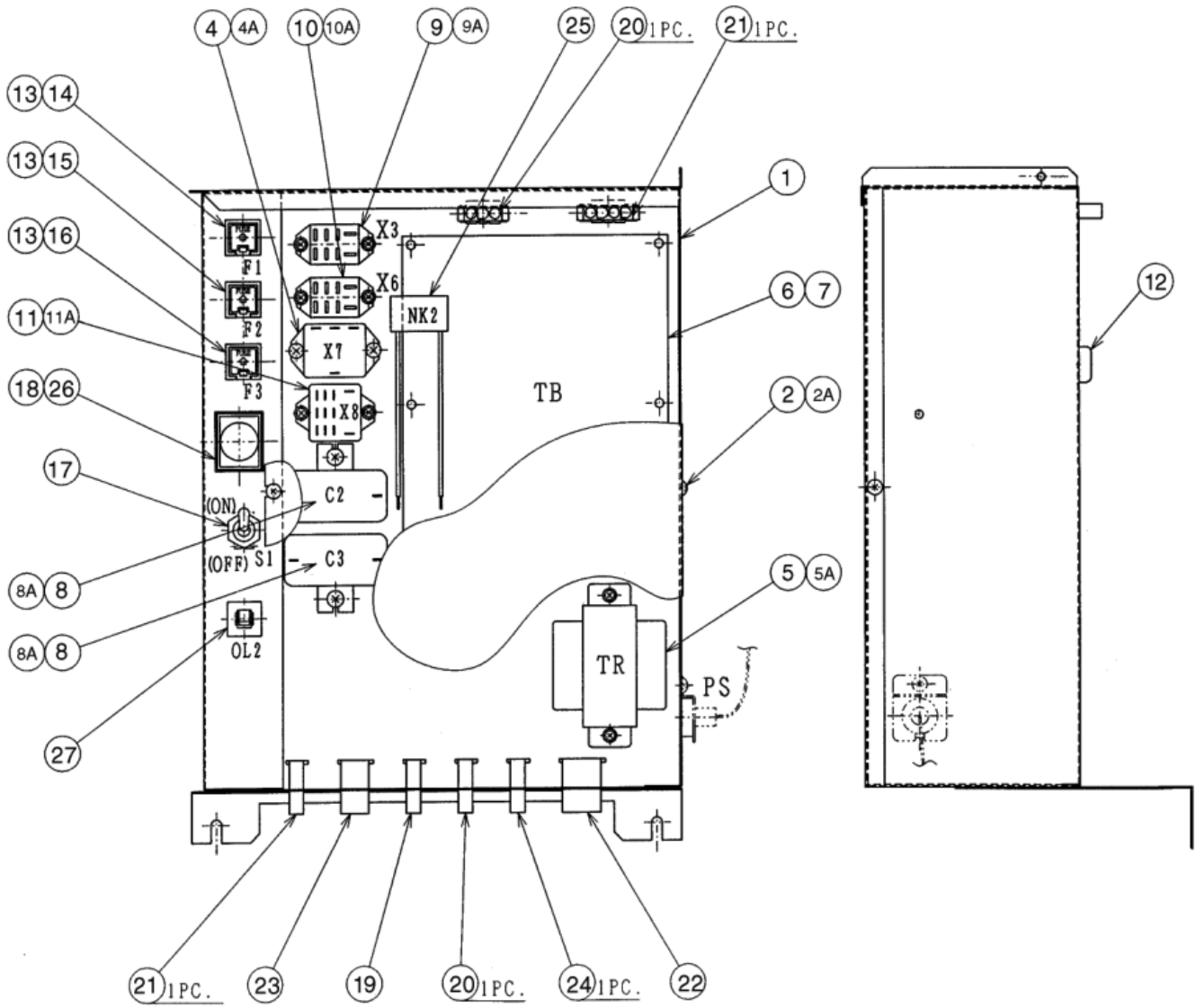


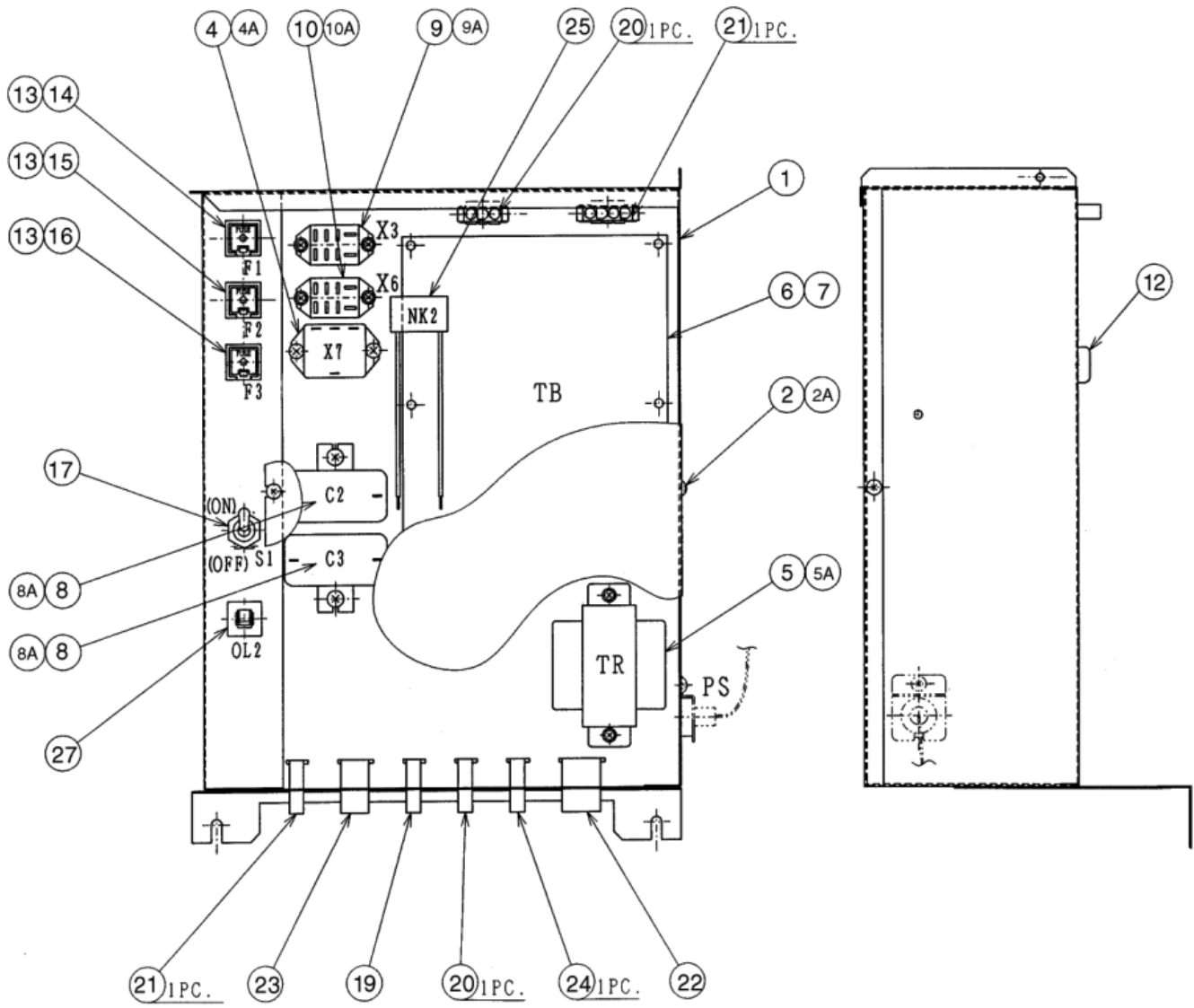


MODEL: DCM-230FE-UK

TITLE: J. SHUTTER ASSEMBLY

INDEX NO.	DESCRIPTION	MATERIAL OR MODEL NUMBER	PART NUMBER	REQUIRED NUMBER							
				H-0	J-0	J-1	K-0	L-0			
1	BASE - SHUTTER	-	3A0898G01	1	1	1	1	-			
		-	3A1817-01					1			
2	BASE (B) - SHUTTER	-	320982-01	1	1	1	x1				
		-	3A1762-01				o1	1			
	TRUSS HEAD SCREW	SS, 4 X 8	7C32-0408	2	2	2	2	2			
3	SOLENOID	-	3U0095-01	1	1	1	1	1			
4	SOLENOID NUT	-	429723-01	2	2	2	2	2			
5	SOLENOID PACKING	-	430380-01	1	1	1	1	1			
6	PACKING COVER	-	431623-01	1	1	1	1	1			
	TRUSS HEAD SCREW	SS, 4 X 12	7C32-0412	4	4	4	4	4			
7	LINK	-	432232-01	1	1	1	1	1			
8	COLLAR (D)	-	432471-01	2	2	2	2	2			
	TRUSS HEAD SCREW	SS, 4 X 30	7C32-0430	3	3	3	3	3			
	"U" NUT	SS, 4		3	3	3	3	3			
9	LEVER	-	318975G02	1	1	1	x1				
		-					o1	1			
10	COLLAR (E)	-	432240-02	1	1	1	1	1			
11	SPRING	-	432878-01	1	1	1	1	1			
12	R-C CAPACITOR	-	4A1343-01	1	1	1	1	1			
13	PLASTIC SLEEVE INSERT	-	432235-01	2	2	2	2	2			

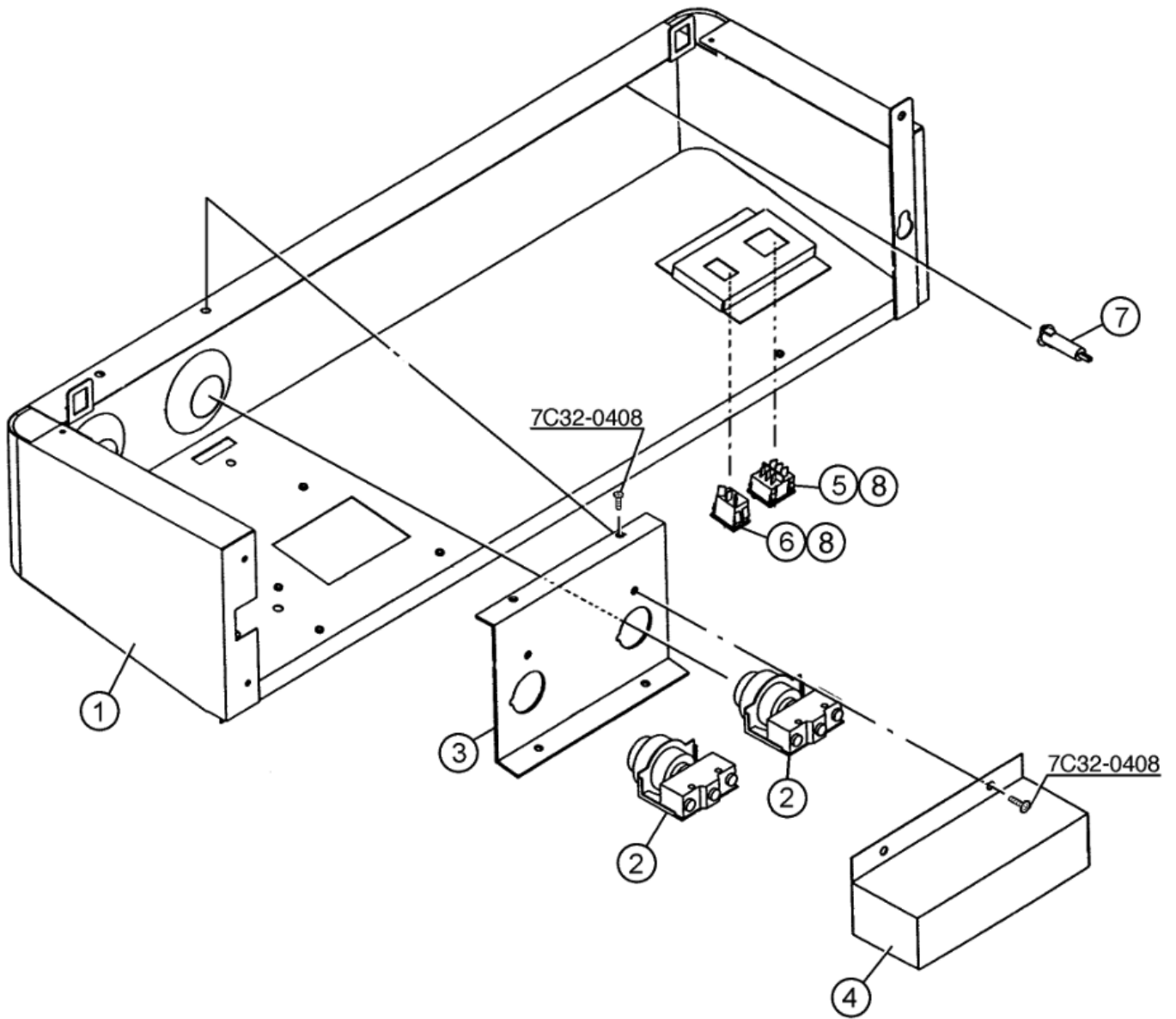




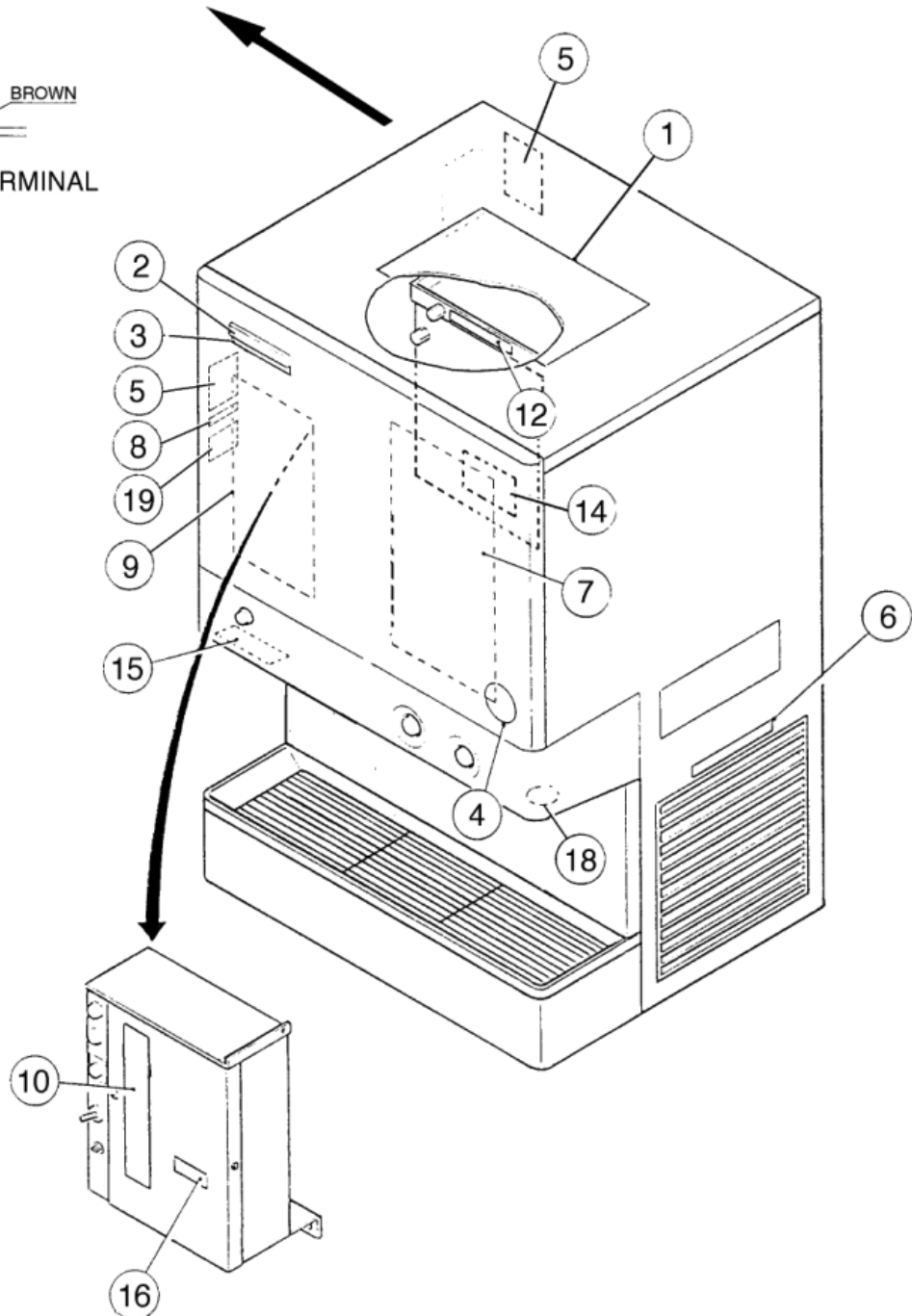
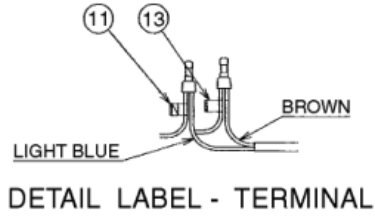
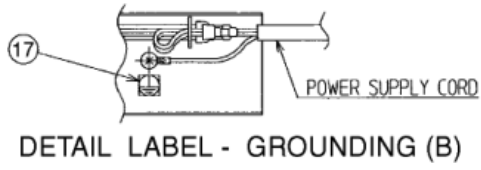
**MODEL: DCM-230FE-UK TITLE: K. CONTROL BOX ASSEMBLY**

INDEX NO.	DESCRIPTION	MATERIAL OR MODEL NUMBER	PART NUMBER	REQUIRED NUMBER								
				H-0	J-0	J-1	K-0	L-0				
1	CONTROL BOX	-	227570G01	1	1	-						
		-	2A1648G01			1	1	1				
2	COVER - CONTROL BOX	-	429931-01	1	1	1	1	1				
2A	TRUSS HEAD SCREW	4 X 6	7C31-0406	2	2	2	2	2				
3	-	-	-									
4	JA RELAY	AC 120V	429574-02	1	1	1	1	1				
4A	T2 SCREW	4 X 8	7P31-0408	2	2	2	2	2				
5	TRANSFORMER	TR5267-1	2U0042-02	1	1	1	1	1				
5A	T2 SCREW	4 X 8	7P31-0408	2	2	2	2	2				
6	TIMER BOARD	-	2U0098-02	1	1	-						
		-	2A1592-01			1	1	1				
7	BOARD SUPPORT	-	4A0336-03	6	6	4	4	4				
8	CAPACITOR	CME43B505DX	4A1386-01	2	2	2	x2					
		CMPS40B505UWF	4A2128-07				o2	2				
8A	T2 SCREW	4 X 8	7P31-0408	2	2	2	2	2				
9	RELAY	AC 24V	406132-06	1	1	1	1	1				
9A	TAPPING SCREW	-	431415-01	2	2	2	2	2				
10	RELAY	AC 120V	418271-03	1	1	1	1	1				
10A	TAPPING SCREW	-	431415-01	2	2	2	2	2				
11	RELAY	AC 120V	418179-03	1	1	-						
11A	TAPPING SCREW	-	431415-01	2	2	-						
12	BUSHING	SB-625-8	420470-01	1	1	1	1	1				
13	FUSE HOLDER	-	438024-01	3	3	3	3	3				
14	FUSE	-	420468-03	1	1	1	1	1				
15	FUSE	-	420468-09	1	1	1	1	1				
16	FUSE	-	406519-08	1	1	1	1	1				
17	TOGGLE SWITCH	-	440443-01	1	1	1	1	1				
18	TIMER	AC 120V	438432-01	1	1	-						
19	2P PLUG HOUSING	-	412832-07	1	1	1	1	1				









**MODEL: DCM-230FE-UK TITLE: M. LABEL LOCATION**

INDEX NO.	DESCRIPTION	MATERIAL OR MODEL NUMBER	PART NUMBER	REQUIRED NUMBER								
				H-0	J-0	J-1	K-0	L-0				
1	INSTRUCTION SHEET	-	2A1266-01	1	1	1	1	1				
2	EMBLEM	-	4A0560-01	1	1	1	1	1				
3	MODEL NUMBER LABEL	-	4A1321-19	1	1	1	1	1				
4	LABEL - PENGUIN - HA - L	-	4A0526-02	1	1	1	1	1				
5	NAMEPLATE	-	454036-01	1	1	1	1	1				
6	LABEL - AIR FILTER	-	426177-01	1	1	1	1	1				
7	INSTRUCTION LABEL	-	2A1343-01	1	1	-						
		-	2A1650-01			1	1	1				
8	LABEL - VOLTAGE	-	427337-02	1	1	1	1	1				
9	WIRING LABEL	-	340239-01	1	1	-						
		-	3A1456-01			1	1	1				
10	LABEL - SWITCH, FUSE	-	451400-01	1	1	-						
		-	4A2042-01			1	1	1				
11	LABEL - TERMINAL	-	452379-01	1	1	1	1	1				
12	LABEL - CAUTION: TOP PANEL	-	430439-01	1	1	1	1	1				
13	LABEL - TERMINAL	-	452379-02	1	1	1	1	1				
14	INSTRUCTION SHEET - BIN COVER	-	446463-01	1	1	1	1	1				
15	LABEL - SWITCH	-	442139-01	1	1	1	1	1				
16	LABEL - R404A	-	4A0960-01	1	1	1	1	1				
17	LABEL GROUNDING (B)	-	450452-02	1	1	1	1	1				
18	LABEL DRAIN	-	442140-01	1	1	1	1	1				
19	LABEL CE	-	450668-01	1	1	1	1	1				

