

NO. U2GR-1038

ISSUED : DEC. 17, 1991

REVISED : JUN. 15, 1994



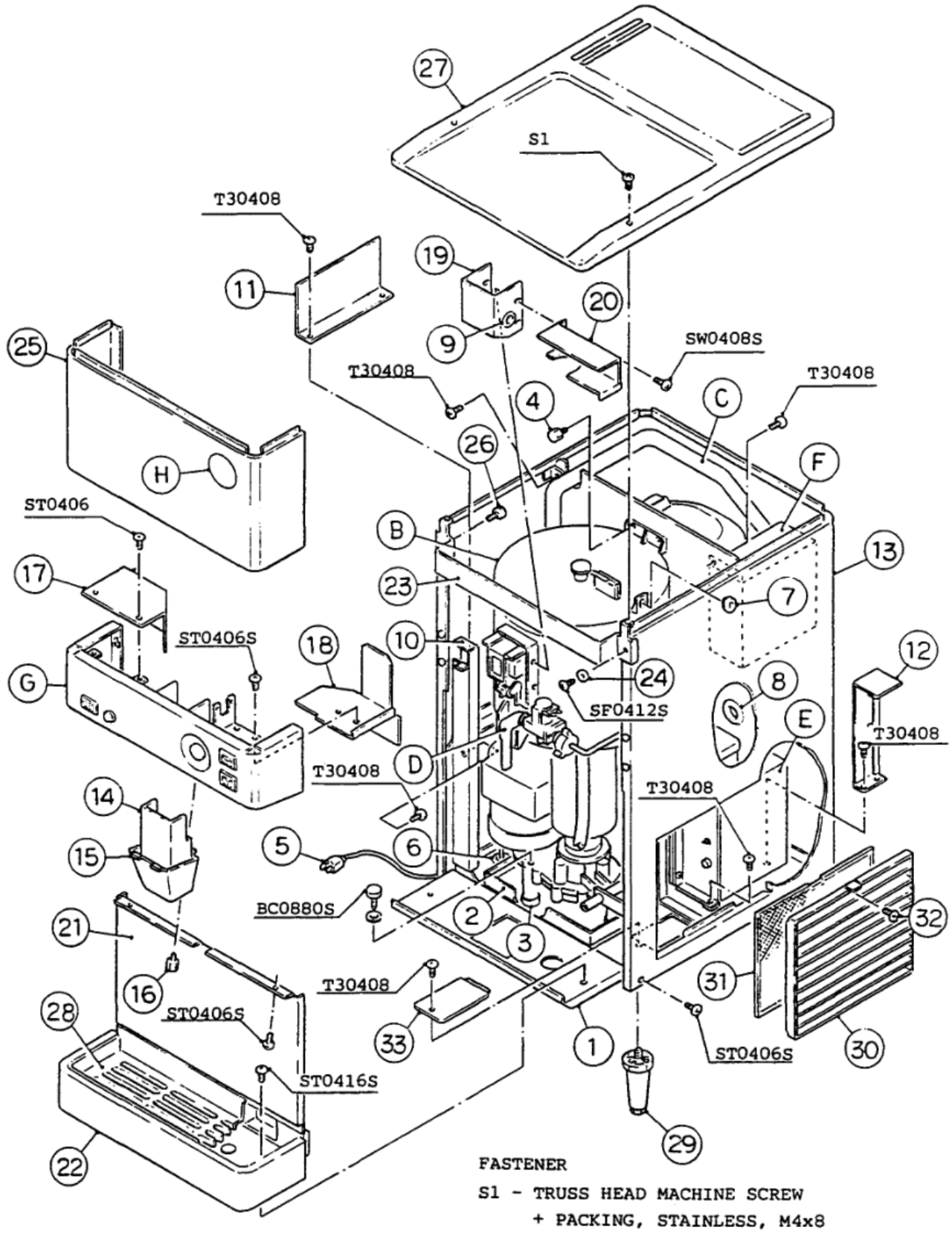
HOSHIZAKI CUBELET ICE DISPENSER

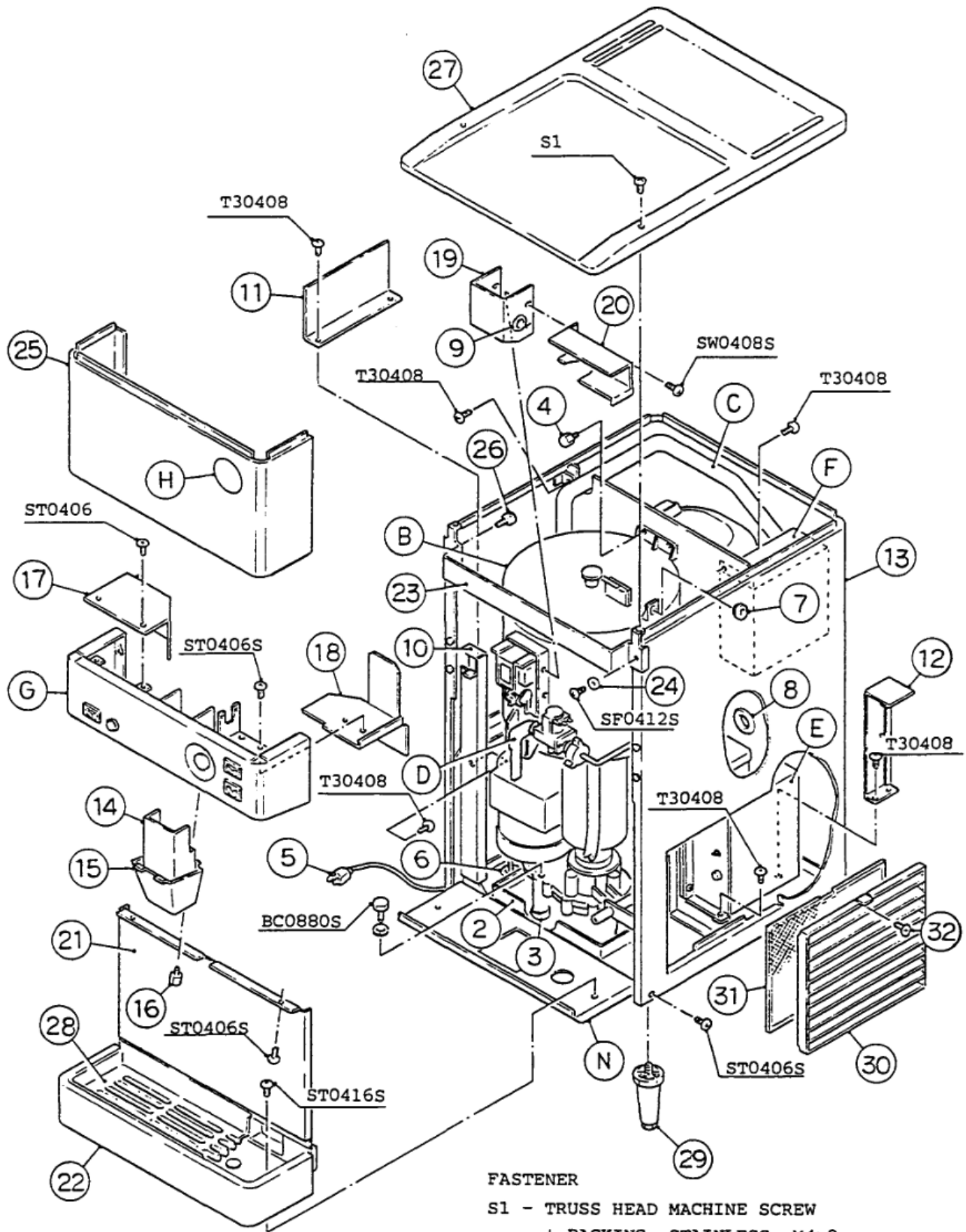
MODEL DCM-240BAB

PARTS LIST

| | | |
|-----|------|------|
| A-1 | MAR. | 1991 |
| A-2 | JUL. | 1991 |
| B-0 | DEC. | 1991 |
| B-1 | JAN. | 1992 |
| B-2 | JAN. | 1992 |
| B-3 | JUN. | 1992 |
| C-1 | DEC. | 1992 |
| C-2 | APR. | 1993 |

FINAL





FASTENER
S1 - TRUSS HEAD MACHINE SCREW
+ PACKING, STAINLESS, M4x8

HA

| MODEL: DCM-240BAB TITLE: A. ICE DISPENSER ASSY | | | | | | | |
|--|-------------------------|--------------------------|---------------------------|-------------|-----|-----|-----|
| INDEX NO. | DESCRIPTION | MATERIAL OR MODEL NUMBER | PART NUMBER | REQD NUMBER | | | |
| | | | | A-1 | A-2 | B-0 | B-1 |
| B | EVAPORATOR ASSY | - | 211325A06 | 1 | - | | |
| | | - | 211325A07 | | 1 | 1 | 1 |
| C | REFRIGERATION CIRCUIT | - | 105403A01 | 1 | 1 | 1 | 1 |
| D | WATER CIRCUIT | - | 105416A01 | 1 | 1 | 1 | 1 |
| E | CONTROL BOX (A) | - | 327131A01 | 1 | 1 | 1 | 1 |
| F | CONTROL BOX (B) | - | 327128A01 | 1 | 1 | 1 | 1 |
| G | MIDDLE FRONT PANEL ASSY | - | 327158A01 | 1 | 1 | 1 | 1 |
| H | LABEL LOCATION | - | 327199A01 | 1 | 1 | 1 | 1 |
| N | FRAME | - | 106031A01 | | | | 1 |
| 1 | FRAME | G.S | 105402G01 | 1 | 1 | 1 | - |
| 2 | DRAIN PAN | S.S | 440927-01 | 1 | 1 | 1 | 1 |
| 3 | SPACER | PVC | 440956-01 | 3 | 3 | 3 | 3 |
| 4 | THUMBSCREW | ABS, S.S | 415949G04 | 2 | 2 | 2 | 2 |
| 5 | POWER SUPPLY CORD | KP-30B | 421824-01 | 1 | 1 | 1 | 1 |
| 6 | BUSHING | SR-7K-2 | 420472-02 | 1 | 1 | 1 | 1 |
| 7 | BUSHING | SR-30-1 | 420472-03 | 2 | 2 | 2 | 2 |
| 8 | BUSHING | SB-1500-21 | 420470-06 | 2 | 2 | 2 | 2 |
| 9 | BUSHING | SB-625-8 | 420470-01 | 1 | 1 | 1 | 1 |
| 10 | BARRIER (C) | G.S | 425093-01 | 1 | 1 | 1 | 1 |
| 11 | BARRIER (D) | G.S | 440906-01 | 1 | 1 | 1 | 1 |
| 12 | BARRIER (E) | G.S | 425637-01 | 1 | 1 | 1 | 1 |
| 13 | CABINET | S.S | 424987G12 | 1 | 1 | 1 | - |
| | | S.S | 443162G03 | | | | 1 |
| 14 | SPOUT (A) | ABS | 105409-01 | 1 | 1 | 1 | 1 |
| 15 | SPOUT (B) | ABS | 105410-01 | 1 | 1 | 1 | 1 |
| 16 | THUMBSCREW | S.S, ABS | 415949G08 | 1 | 1 | 1 | 1 |
| 17 | FRONT BARRIER L | G.S | 425094-01 | 1 | 1 | 1 | 1 |
| 18 | FRONT BARRIER R | G.S | 440433G01 | 1 | 1 | 1 | 1 |
| 19 | BARRIER / SOLENOID | S.S | 433269-01 | 1 | 1 | 1 | 1 |
| 20 | WV BARRIER | S.S | 440432-01 | 1 | 1 | 1 | 1 |
| 21 | APRON PANEL | S.S | 327163-01 | 1 | 1 | 1 | 1 |

HA

| MODEL: DCM-240BAB TITLE: A. ICE DISPENSER ASSY | | | | | | | |
|--|-------------------------|--------------------------|---------------------------|-------------|-----|-----|-----|
| INDEX NO. | DESCRIPTION | MATERIAL OR MODEL NUMBER | PART NUMBER | REQD NUMBER | | | |
| | | | | B-2 | B-3 | C-1 | C-2 |
| B | EVAPORATOR ASSY | - | 211325A07 | 1 | 1 | 1 | 1 |
| C | REFRIGERATION CIRCUIT | - | 105403A01 | 1 | 1 | 1 | 1 |
| D | WATER CIRCUIT | - | 105416A01 | 1 | 1 | 1 | 1 |
| E | CONTROL BOX (A) | - | 327131A01 | 1 | 1 | 1 | 1 |
| F | CONTROL BOX (B) | - | 327128A01 | 1 | 1 | 1 | 1 |
| G | MIDDLE FRONT PANEL ASSY | - | 327158A01 | 1 | 1 | 1 | 1 |
| H | LABEL LOCATION | - | 327199A01 | 1 | 1 | 1 | 1 |
| N | FRAME | - | 106031A01 | 1 | 1 | 1 | 1 |
| 1 | | - | | - | | | |
| 2 | DRAIN PAN | S.S | 440927-01 | 1 | 1 | 1 | 1 |
| 3 | SPACER | PVC | 440956-01 | 3 | 3 | 3 | 3 |
| 4 | THUMBSCREW | ABS, S.S | 415949G04 | 2 | 2 | 2 | 2 |
| 5 | POWER SUPPLY CORD | KP-30B | 421824-01 | 1 | 1 | 1 | 1 |
| 6 | BUSHING | SR-7K-2 | 420472-02 | 1 | 1 | 1 | 1 |
| 7 | BUSHING | SR-30-1 | 420472-03 | 2 | 2 | 2 | 2 |
| 8 | BUSHING | SB-1500-21 | 420470-06 | 2 | 2 | 2 | 2 |
| 9 | BUSHING | SB-625-8 | 420470-01 | 1 | 1 | 1 | 1 |
| 10 | BARRIER (C) | G.S | 425093-01 | 1 | 1 | 1 | 1 |
| 11 | BARRIER (D) | G.S | 440906-01 | 1 | 1 | 1 | 1 |
| 12 | BARRIER (E) | G.S | 425637-01 | 1 | 1 | 1 | 1 |
| 13 | CABINET | S.S | 443162G03 | 1 | 1 | - | |
| | | S.S | 424987G12 | | | 1 | 1 |
| 14 | SPOUT (A) | ABS | 105409-01 | 1 | 1 | 1 | 1 |
| 15 | SPOUT (B) | ABS | 105410-01 | 1 | 1 | 1 | 1 |
| 16 | THUMBSCREW | S.S, ABS | 415949G08 | 1 | 1 | 1 | 1 |
| 17 | FRONT BARRIER L | G.S | 425094-01 | 1 | 1 | 1 | 1 |
| 18 | FRONT BARRIER R | G.S | 440433G01 | 1 | 1 | 1 | 1 |
| 19 | BARRIER/SOLENOID | S.S | 433269-01 | 1 | 1 | 1 | 1 |
| 20 | WV BARRIER | S.S | 440432-01 | 1 | 1 | 1 | 1 |
| 21 | APRON PANEL | S.S | 327163-01 | 1 | 1 | 1 | 1 |

HA

| MODEL: DCM-240BAB TITLE: A. ICE DISPENSER ASSY | | | | | | | |
|--|-----------------------|--------------------------|---------------------------|-------------|-----|-----|-----|
| INDEX NO. | DESCRIPTION | MATERIAL OR MODEL NUMBER | PART NUMBER | REQD NUMBER | | | |
| | | | | A-1 | A-2 | B-0 | B-1 |
| 22 | DRAIN PAN AD | ABS | 318857G02 | 1 | 1 | 1 | - |
| | | ABS | 318857G03 | | | | 1 |
| 23 | BRACKET | G.S | 424988-02 | 1 | 1 | 1 | 1 |
| 24 | COLLAR | S.S | 4H0171-01 | 1 | 1 | 1 | 1 |
| 25 | FRONT PANEL | S.S | 216359G01 | 1 | 1 | 1 | - |
| | | S.S | 216359G02 | | | | 1 |
| 26 | THUMBSCREW | S.S | 425221-01 | 1 | 1 | 1 | 1 |
| 27 | TOP PANEL (A) | G.S | 104679-01 | 1 | 1 | 1 | - |
| | TOP PANEL (E) | G.S | 104679-05 | | | | 1 |
| 28 | GRILLE | ABS | 102936-02 | 1 | 1 | 1 | - |
| | | ABS | 102936-03 | | | | 1 |
| 29 | ADJUSTABLE LEG | 222-P-16B | 417192-01 | 4 | 4 | 4 | 4 |
| 30 | LOUVER | ABS | 103344-01 | 1 | 1 | 1 | - |
| | | ABS | 103344-05 | | | | 1 |
| 31 | AIR FILTER | ABS | 208840G01 | 1 | 1 | 1 | 1 |
| 32 | TAPPING SCREW / BRADE | 4x8 | 433954-01 | 1 | 1 | 1 | 1 |
| 33 | COVER - CHASSIS | G.S | 436917-01 | 1 | 1 | 1 | - |

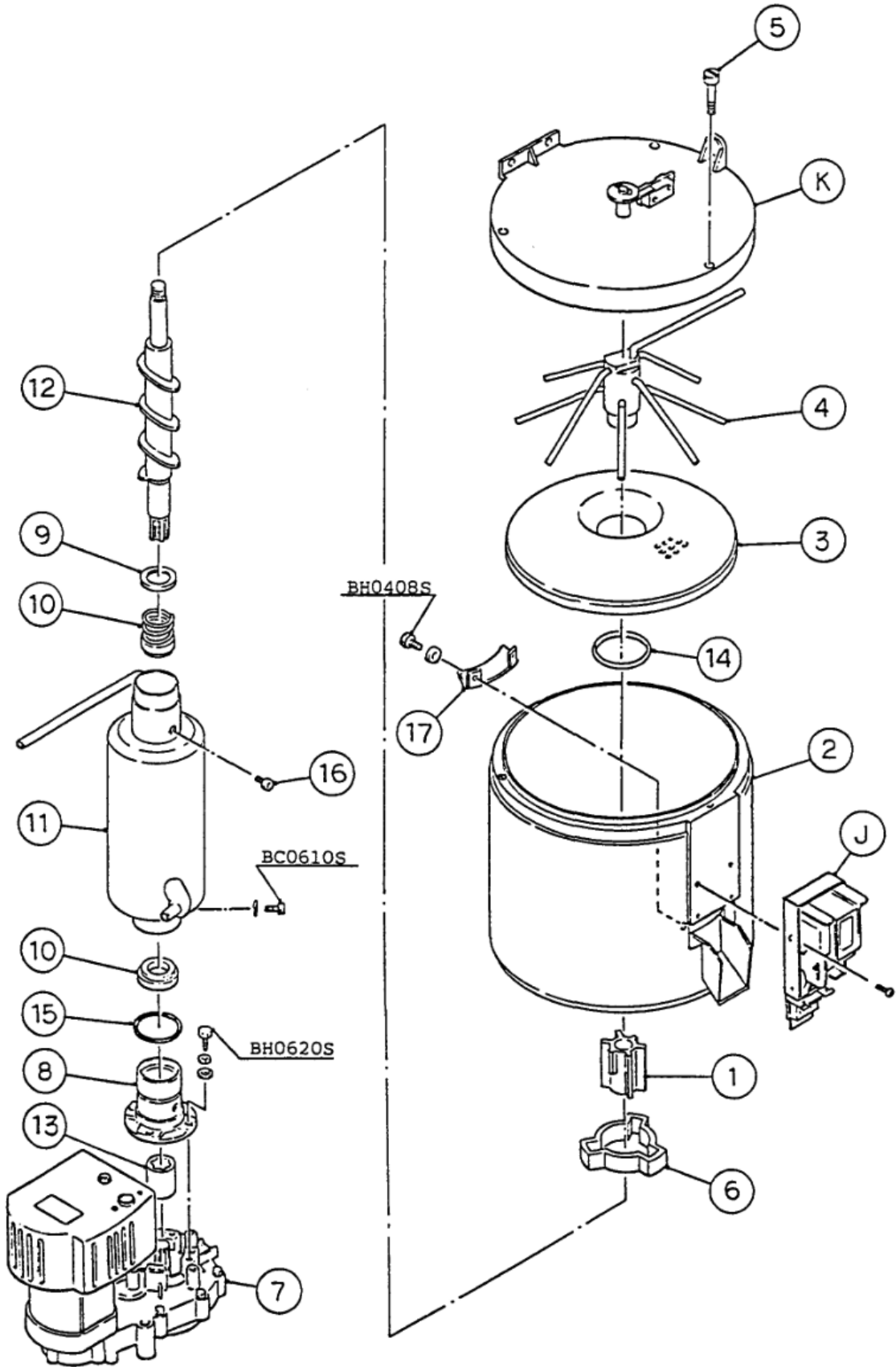
HA

| MODEL: DCM-240BAB TITLE: A. ICE DISPENSER ASSY | | | | | | | |
|--|-----------------------|--------------------------|-------------|-------------|-----|-----|-----|
| INDEX NO. | DESCRIPTION | MATERIAL OR MODEL NUMBER | PART NUMBER | REQD NUMBER | | | |
| | | | | B-2 | B-3 | C-1 | C-2 |
| 22 | DRAIN PAN AD | ABS | 318857G03 | 1 | 1 | 1 | 1 |
| 23 | BRACKET | G.S | 424988-02 | 1 | 1 | 1 | 1 |
| 24 | COLLAR | S.S | 4H0171-01 | 1 | 1 | 1 | 1 |
| 25 | FRONT PANEL | S.S | 216359G02 | 1 | 1 | - | |
| | | S.S | 216359G01 | | | 1 | 1 |
| 26 | THUMBSCREW | S.S | 425221-01 | 1 | 1 | 1 | 1 |
| 27 | TOP PANEL (E) | G.S | 104679-05 | 1 | 1 | 1 | 1 |
| 28 | GRILLE | ABS | 102936-03 | 1 | 1 | 1 | 1 |
| 29 | ADJUSTABLE LEG | 222-P-16B | 417192-01 | 4 | 4 | 4 | 4 |
| 30 | LOUVER | ABS | 103344-05 | 1 | 1 | 1 | 1 |
| 31 | AIR FILTER | ABS | 208840G01 | 1 | 1 | 1 | 1 |
| 32 | TAPPING SCREW / BRADE | 4x8 | 433954-01 | 1 | 1 | 1 | 1 |
| 33 | - | - | - | - | | | |

HA
DCM-240BAB

B. EVAPORATOR ASSY

(C-1) (C-2)
(B-1) (B-2) (B-3)
(B-0) (A-1) (A-2)

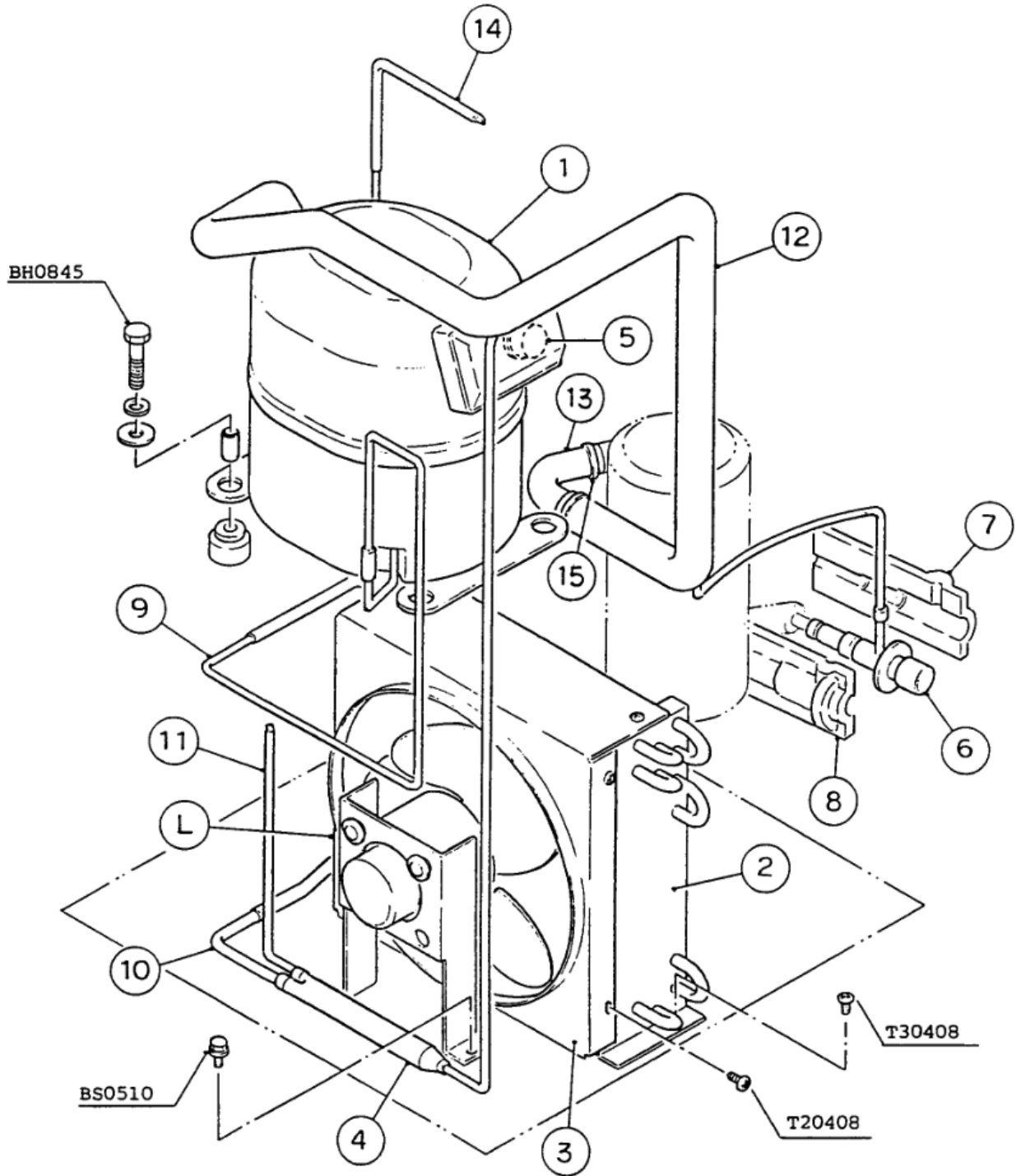


HA

| MODEL: DCM-240BAB TITLE: B. EVAPORATOR ASSY | | | | | | | |
|---|---------------------------|--------------------------|---------------------------|-------------|-----|-----|-----|
| INDEX NO. | DESCRIPTION | MATERIAL OR MODEL NUMBER | PART NUMBER | REQD NUMBER | | | |
| | | | | A-1 | A-2 | B-0 | B-1 |
| J | SHUTTER ASSY | - | 211265A06 | 1 | - | | |
| | | - | 211265A09 | | 1 | 1 | 1 |
| K | COVER ASSY-BIN TOP | - | 207757A01 | 1 | 1 | 1 | 1 |
| 1 | EXTRUDING HEAD | S.S | 311407G02 | 1 | 1 | 1 | 1 |
| 2 | STORAGE BIN | - | 211630G01 | 1 | 1 | 1 | 1 |
| 3 | DRIP RING | S.S | 207754-01 | 1 | 1 | 1 | 1 |
| 4 | AGITATOR | S.S | 314997G01 | 1 | 1 | 1 | 1 |
| 5 | THUMBSCREW | S.S, ABS | 430825G01 | 3 | 3 | 3 | 3 |
| 6 | COVER - UPPER, EVAPORATOR | FE FOAM | 413446-01 | 1 | 1 | 1 | 1 |
| 7 | GEAR MOTOR | TC1125, 120V80W | 2U0105-01 | 1 | 1 | 1 | 1 |
| 8 | HOUSING | COPPER ALLOY | 206013G03 | 1 | 1 | 1 | 1 |
| 9 | RING | S.S | 432494-01 | 1 | 1 | 1 | 1 |
| 10 | MECHANICAL SEAL | HK9A-MS | 432491-01 | 1 | 1 | 1 | 1 |
| 11 | EVAPORATOR | - | 321221G01 | 1 | - | | |
| | | - | 327779G01 | | 1 | 1 | 1 |
| 12 | AUGER | S.S | 320837G01 | 1 | 1 | 1 | 1 |
| 13 | COUPLING - SPLINE | S.S | 418316-01 | 1 | 1 | 1 | 1 |
| 14 | "0" RING | P48 | 7616-P048 | 1 | 1 | 1 | 1 |
| 15 | "0" RING | G40 | 7616-G040 | 1 | 1 | 1 | 1 |
| 16 | SOCKET HEAD CAP SCREW | S.S, M8x14 | 429121-01 | 3 | 3 | 3 | 3 |
| 17 | DRIP PLATE (B) | S.S | 412676-01 | 1 | 1 | 1 | 1 |

HA

| MODEL: DCM-240BAB TITLE: B. EVAPORATOR ASSY | | | | | | | |
|---|---------------------------|--------------------------|---------------------------|-------------|-----|-----|-----|
| INDEX NO. | DESCRIPTION | MATERIAL OR MODEL NUMBER | PART NUMBER | REQD NUMBER | | | |
| | | | | B-2 | B-3 | C-1 | C-2 |
| J | SHUTTER ASSY | - | 211265A09 | 1 | 1 | 1 | 1 |
| K | COVER ASSY - BIN TOP | - | 207757A01 | 1 | 1 | 1 | 1 |
| 1 | EXTRUDING HEAD | S.S | 311407G02 | 1 | 1 | 1 | 1 |
| 2 | STORAGE BIN | - | 211630G01 | 1 | 1 | 1 | 1 |
| 3 | DRIP RING | S.S | 207754-01 | 1 | 1 | 1 | 1 |
| 4 | AGITATOR | S.S | 314997G01 | 1 | 1 | 1 | 1 |
| 5 | THUMBSCREW | S.S, ABS | 430825G01 | 3 | 3 | 3 | 3 |
| 6 | COVER - UPPER, EVAPORATOR | FEFOAM | 413446-01 | 1 | 1 | 1 | 1 |
| 7 | GEAR MOTOR | TC1125, 120V80W | 2U0105-01 | 1 | 1 | 1 | 1 |
| 8 | HOUSING | COPPER ALLOY | 206013G03 | 1 | 1 | 1 | 1 |
| 9 | RING | S.S | 432494-01 | 1 | 1 | 1 | 1 |
| 10 | MECHANICAL SEAL | HK9A-MS | 432491-01 | 1 | 1 | 1 | 1 |
| 11 | EVAPORATOR | - | 327779G01 | 1 | 1 | 1 | 1 |
| 12 | AUGER | S.S | 320837G01 | 1 | 1 | 1 | 1 |
| 13 | COUPLING - SPLINE | S.S | 418316-01 | 1 | 1 | 1 | 1 |
| 14 | "0" RING | P48 | 7616-P048 | 1 | 1 | 1 | 1 |
| 15 | "0" RING | G40 | 7616-G040 | 1 | 1 | 1 | 1 |
| 16 | SOCKET HEAD CAP SCREW | S.S, M8x14 | 429121-01 | 3 | 3 | 3 | 3 |
| 17 | DRIP PLATE (B) | S.S | 412676-01 | 1 | 1 | 1 | 1 |



HA

| MODEL: DCM-240BAB TITLE: C. REFRIGERATION CIRCUIT | | | | | | | |
|---|---------------------------|--------------------------|---------------------------|-------------|-----|-----|-----|
| INDEX NO. | DESCRIPTION | MATERIAL OR MODEL NUMBER | PART NUMBER | REQD NUMBER | | | |
| | | | | A-1 | A-2 | B-0 | B-1 |
| L | FAN MOTOR ASSY | (S-0375) | 313392A01 | 1 | 1 | 1 | 1 |
| 1 | COMPRESSOR | CL50J-1U | 2U0039-01 | 1 | 1 | 1 | 1 |
| 2 | CONDENSER - AIR-COOLED | - | 203881-01 | 1 | 1 | 1 | 1 |
| 3 | SHROUD | G.S | 307663-01 | 1 | 1 | 1 | 1 |
| 4 | DRIER | - | 418462-01 | 1 | 1 | 1 | 1 |
| 5 | OVERLOAD | OL-091CL | 421511-01 | 1 | 1 | 1 | 1 |
| 6 | EXPANSION VALVE | HYP2-5HD3 | 411518-03 | 1 | 1 | 1 | 1 |
| 7 | COVER (C)-EXPANSION VALVE | PE FOAM | 307462-03 | 1 | 1 | 1 | 1 |
| 8 | COVER (D)-EXPANSION VALVE | PE FOAM | 307462-04 | 1 | 1 | 1 | 1 |
| 9 | PIPE - HIGH SIDE | COPPER | 424042-04 | 1 | 1 | 1 | 1 |
| 10 | PIPE - HIGH SIDE | COPPER | 425241-02 | 1 | 1 | 1 | 1 |
| 11 | PROCESS TUBE | COPPER | 412644-01 | 1 | 1 | 1 | 1 |
| 12 | HEAT EXCHANGER | COPPER | 216324G01 | 1 | 1 | 1 | 1 |
| 13 | INSULATION TUBE | L=240 | 7762-1020 | 1 | 1 | 1 | 1 |
| 14 | PROCESS TUBE | COPPER | 424108-02 | 1 | 1 | 1 | 1 |
| 15 | TIE | CV-150 | 7920-0003 | 3 | 3 | 3 | 3 |

HA

| MODEL: DCM-240BAB TITLE: C. REFRIGERATION CIRCUIT | | | | | | | |
|---|--------------------------------|--------------------------|---------------------------|-------------|-----|-----|-----|
| INDEX NO. | DESCRIPTION | MATERIAL OR MODEL NUMBER | PART NUMBER | REQD NUMBER | | | |
| | | | | B-2 | B-3 | C-1 | C-2 |
| L | FAN MOTOR ASSY | (S-0375) | 313392A01 | 1 | 1 | 1 | 1 |
| 1 | COMPRESSOR | CL50J-1U | 2U0039-01 | 1 | 1 | 1 | 1 |
| 2 | CONDENSER - AIR-COOLED | - | 203881-01 | 1 | 1 | 1 | 1 |
| 3 | SHROUD | G.S | 307663-01 | 1 | 1 | 1 | 1 |
| 4 | DRIER | - | 418462-01 | 1 | 1 | 1 | 1 |
| 5 | OVERLOAD | OL-091CL | 421511-01 | 1 | 1 | 1 | 1 |
| 6 | EXPANSION VALVE | HYP2-5HD3 | 411518-03 | 1 | 1 | 1 | 1 |
| 7 | COVER (C)-EXPANSION VALVE | PE FOAM | 307462-03 | 1 | 1 | 1 | 1 |
| 8 | COVER (D)-EXPANSION VALVE | PE FOAM | 307462-04 | 1 | 1 | 1 | 1 |
| 9 | PIPE - HIGH SIDE | COPPER | 424042-04 | 1 | 1 | 1 | 1 |
| 10 | PIPE - HIGH SIDE | COPPER | 425241-02 | 1 | 1 | 1 | 1 |
| 11 | PROCESS TUBE | COPPER | 412644-01 | 1 | - | | |
| | COPPER TUBE (B) - ACCESS VALVE | COPPER | 444605-01 | | 1 | 1 | 1 |
| 12 | HEAT EXCHANGER | COPPER | 216324G01 | 1 | 1 | 1 | 1 |
| 13 | INSULATION TUBE | 7762-1020, L=240 | 105403-25 | 1 | 1 | 1 | 1 |
| 14 | PROCESS TUBE | COPPER | 424108-02 | 1 | - | | |
| | COPPER TUBE - ACCESS VALVE | COPPER | 444604-01 | | 1 | 1 | 1 |
| 15 | TIE | CV-150 | 7920-0003 | 3 | 5 | 5 | 5 |
| 16 | INSULATION TUBE | 7762-0717, L=30 | 105403-27 | | 1 | 1 | 1 |
| 17 | ACCESS VALVE | TCJ-2F15-HD | 417366-01 | | 2 | 2 | 2 |

HA

| MODEL: DCM-240BAB TITLE: D. WATER CIRCUIT | | | | | | | |
|---|-------------------------|--------------------------|---------------------------|-------------|-----|-----|-----|
| INDEX NO. | DESCRIPTION | MATERIAL OR MODEL NUMBER | PART NUMBER | REQD NUMBER | | | |
| | | | | A-1 | A-2 | B-0 | B-1 |
| 1 | PIPE-WATER SUPPLY | S.S. | 319700G01 | 1 | 1 | 1 | 1 |
| 2 | PACKING | NBR | 413854-03 | 2 | 2 | 2 | 2 |
| 3 | WATER VALVE | J246-086 | 3U0065-01 | 1 | 1 | 1 | 1 |
| 4 | COVER - RESERVOIR INLET | SI RUBBER | 415094-01 | 1 | 1 | 1 | 1 |
| 5 | RESERVOIR | ABS | 207527-02 | 1 | 1 | 1 | 1 |
| 6 | COLLAR | S.S | 423416-01 | 1 | 1 | 1 | 1 |
| 7 | COVER - RESERVOIR | ABS | 103070-02 | 1 | 1 | 1 | 1 |
| 8 | FLOAT SWITCH | TW-1221-101 | 435490-01 | 1 | 1 | 1 | 1 |
| 9 | SEPARATOR - RESERVOIR | ABS | 423538-01 | 1 | 1 | 1 | 1 |
| 10 | WATER VALVE | J246-317 | 3U0066-01 | 1 | 1 | 1 | 1 |
| 11 | PIPE - WATER SUPPLY | SI RUBBER | 427618-01 | 1 | 1 | 1 | 1 |
| | | SI RUBBER | 427618-02 | 1 | 1 | 1 | 1 |
| 12 | PIPE - JOINT | S.S | 319701G01 | 1 | 1 | 1 | 1 |
| 13 | CAP - DRAIN | BRASS | 425629-01 | 1 | 1 | 1 | 1 |
| 14 | PACKING - DRAIN | SY.R | 418071-03 | 1 | 1 | 1 | 1 |
| 15 | CLAMP | HB20T19 | 423866-02 | 1 | 1 | 1 | 1 |
| 16 | CLAMP | SK-14 | 435934-02 | 4 | 4 | 4 | 4 |
| 17 | PIPE - DRAIN | EPDM | 429620-01 | 1 | 1 | 1 | 1 |
| 18 | TIE | CV-150 | 7920-0003 | 2 | 2 | 2 | 2 |
| 19 | SILICONE HOSE | 7730-1114,L=45 | 105416-01 | 1 | 1 | 1 | 1 |
| 20 | SILICONE HOSE | 7730-1721, L=250 | 105416-23 | 1 | 1 | 1 | 1 |
| 21 | HOSE | 7716-1216,L=70 | 105416-22 | 1 | 1 | 1 | 1 |
| 22 | HOSE | 7716-1216, L=350 | 105416-24 | 1 | 1 | 1 | 1 |

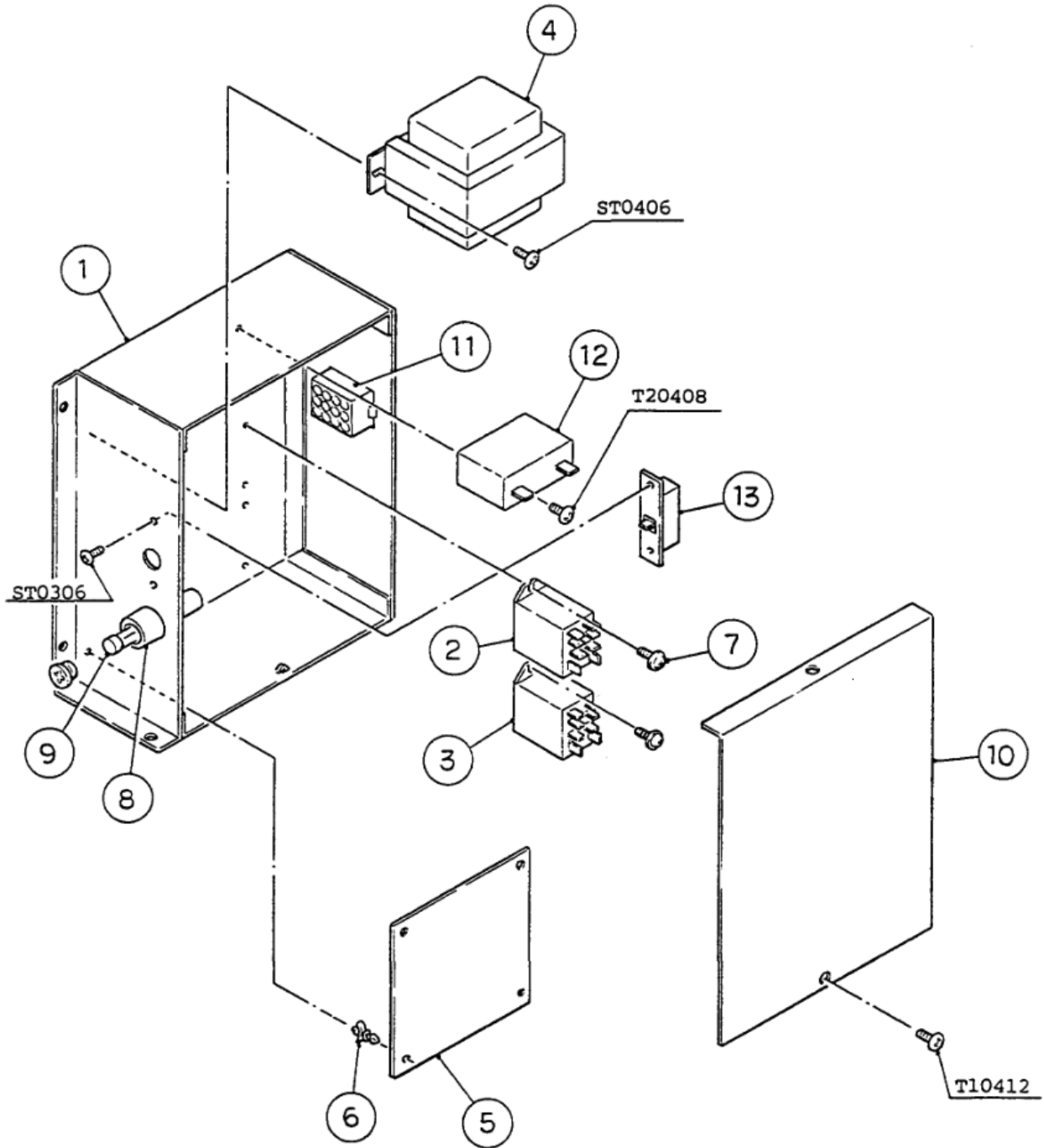
HA

| MODEL: DCM-240BAB TITLE: D. WATER CIRCUIT | | | | | | | |
|---|-------------------------|--------------------------|---------------------------|--------------|-----|-----|-----|
| INDEX NO. | DESCRIPTION | MATERIAL OR MODEL NUMBER | PART NUMBER | REQ'D NUMBER | | | |
| | | | | B-2 | B-3 | C-1 | C-2 |
| 1 | PIPE - WATER SUPPLY | S.S | 319700G01 | 1 | 1 | 1 | 1 |
| 2 | PACKING | NBR | 413854-03 | 2 | 2 | 2 | 2 |
| 3 | WATER VALVE | J246-086 | 3U0065-01 | 1 | 1 | 1 | 1 |
| 4 | COVER - RESERVOIR INLET | SI RUBBER | 415094-01 | 1 | 1 | 1 | 1 |
| 5 | RESERVOIR | ABS | 207527-02 | 1 | 1 | 1 | 1 |
| 6 | COLLAR | S.S | 423416-01 | 1 | 1 | 1 | 1 |
| 7 | COVER - RESERVOIR | ABS | 103070-02 | 1 | 1 | 1 | 1 |
| 8 | FLOAT SWITCH | TW-1221-101 | 435490-01 | 1 | 1 | 1 | 1 |
| 9 | SEPARATOR - RESERVOIR | ABS | 423538-01 | 1 | 1 | 1 | 1 |
| 10 | WATER VALVE | J246-317 | 3U0066-01 | 1 | 1 | 1 | 1 |
| 11 | PIPE-WATER SUPPLY | SI RUBBER | 427618-02 | 1 | 1 | 1 | 1 |
| 12 | PIPE - JOINT | S.S | 319701G01 | 1 | 1 | 1 | 1 |
| 13 | CAP - DRAIN | BRASS | 425629-01 | 1 | 1 | 1 | 1 |
| 14 | PACKING - DRAIN | SY.R | 418071-03 | 1 | 1 | 1 | 1 |
| 15 | CLAMP | HB20T19 | 423866-02 | 1 | 1 | 1 | 1 |
| 16 | CLAMP | SK-14 | 435934-02 | 4 | 4 | 4 | 4 |
| 17 | PIPE - DRAIN | EPDM | 429620-01 | 1 | 1 | 1 | 1 |
| 18 | TIE | CV-150 | 7920-0003 | 2 | 2 | 2 | 2 |
| 19 | SILICONE HOSE | 7730-1114,L=45 | 105416-01 | 1 | 1 | 1 | 1 |
| 20 | SILICONE HOSE | 7730-1721, L=250 | 105416-23 | 1 | 1 | 1 | 1 |
| 21 | HOSE | 7730-1114, L= 70 | 105416-22 | 1 | 1 | 1 | 1 |
| 22 | HOSE | 7716-1216, L=350 | 105416-24 | 1 | 1 | 1 | 1 |

HA
DCM-240BAB

E. CONTROL BOX (A) ASSY

(C-1) (C-2)
(B-1) (B-2) (B-3)
(B-0) (A-1) (A-2)



HA

| MODEL: DCM-240BAB TITLE: E. CONTROL BOX (A) ASSY | | | | | | | |
|--|-------------------------|--------------------------|-------------|-------------|-----|-----|-----|
| INDEX NO. | DESCRIPTION | MATERIAL OR MODEL NUMBER | PART NUMBER | REQD NUMBER | | | |
| | | | | A-1 | A-2 | B-0 | B-1 |
| 1 | CONTROL BOX (A) | G.S | 327132G01 | 1 | 1 | 1 | 1 |
| 2 | RELAY | LY2FZ, AC24V | 406132-06 | 1 | 1 | 1 | 1 |
| 3 | RELAY | LY1F.AC120V | 418271-03 | 1 | 1 | 1 | 1 |
| 4 | TRANSFORMER | TR5267 | 2U0042-01 | 1 | 1 | 1 | 1 |
| 5 | TIMER BOARD | H2AA144C02 | 437305-02 | 1 | 1 | 1 | 1 |
| 6 | BOARD SUPPORT | KGLS-6S | 414929-01 | 4 | 4 | 4 | 4 |
| 7 | TAPPING SCREW | 3x8 | 431415-01 | 4 | 4 | 4 | 4 |
| 8 | FUSE HOLDER | FH032, 250V10A | 424288-01 | 1 | 1 | 1 | 1 |
| 9 | FUSE | FGA02.1A250V | 420468-03 | 1 | 1 | 1 | 1 |
| 10 | COVER - CONTROL BOX (A) | G.S | 440900-01 | 1 | 1 | 1 | 1 |
| 11 | PLUG | 3191-12P | 412832-04 | 1 | 1 | 1 | 1 |
| 12 | CAPACITOR | 280VAC, 10UuF | 416921-05 | 1 | 1 | 1 | 1 |
| 13 | OVERLOAD- GEAR MOTOR | NW-3P-2 | 427253-01 | 1 | 1 | 1 | 1 |

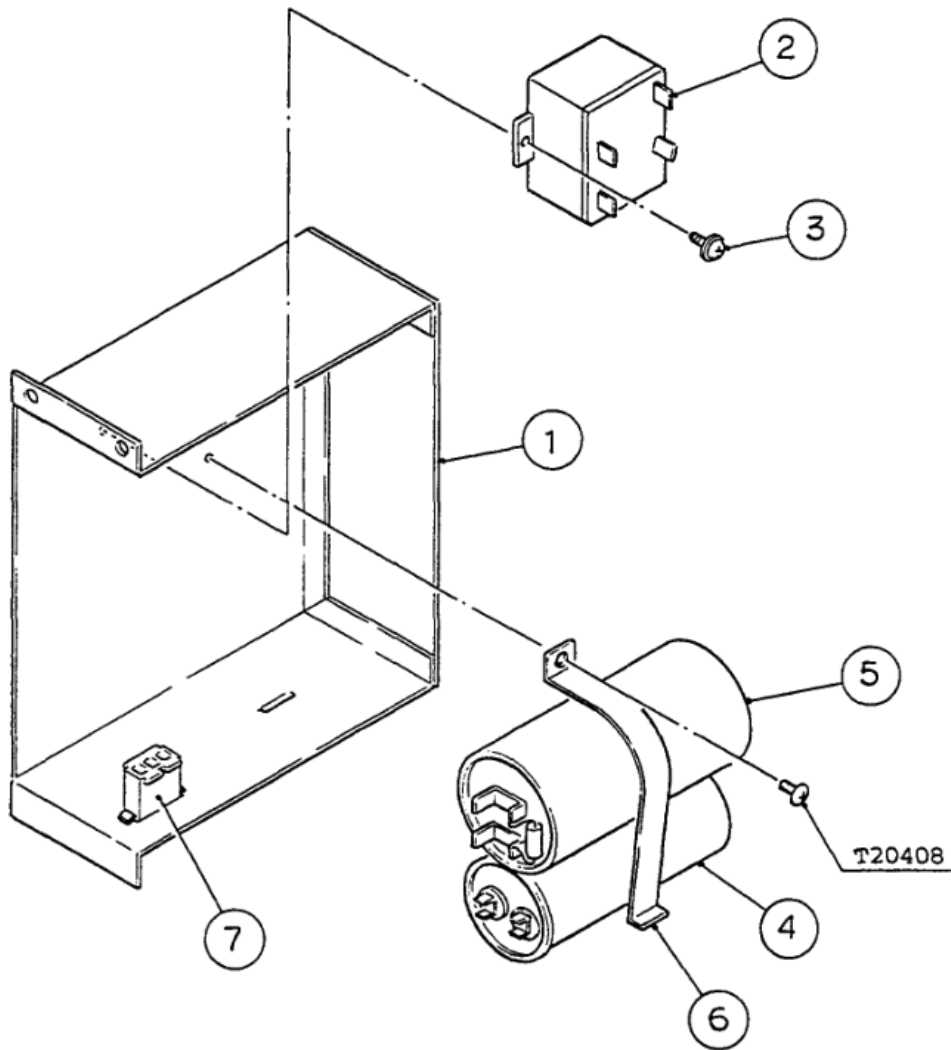
HA

| MODEL: DCM-240BAB TITLE: E. CONTROL BOX (A) ASSY | | | | | | | |
|--|-------------------------|--------------------------|-------------|--------------|-----|-----|-----|
| INDEX NO. | DESCRIPTION | MATERIAL OR MODEL NUMBER | PART NUMBER | REQ'D NUMBER | | | |
| | | | | B-2 | B-3 | C-1 | C-2 |
| 1 | CONTROL BOX (A) | G.S | 327132G01 | 1 | 1 | 1 | 1 |
| 2 | RELAY | LY2FZ, AC24V | 406132-06 | 1 | 1 | 1 | 1 |
| 3 | RELAY | LY1F.AC120V | 418271-03 | 1 | 1 | 1 | 1 |
| 4 | TRANSFORMER | TR5267 | 2U0042-01 | 1 | 1 | 1 | 1 |
| 5 | TIMER BOARD | H2AA144C02 | 437305-02 | 1 | 1 | 1 | 1 |
| 6 | BOARD SUPPORT | KGLS-6S | 414929-01 | 4 | 4 | 4 | 4 |
| 7 | TAPPING SCREW | 3x8 | 431415-01 | 4 | 4 | 4 | 4 |
| 8 | FUSE HOLDER | FH032, 250V10A | 424288-01 | 1 | 1 | 1 | 1 |
| 9 | FUSE | FGA02, 1A250V | 420468-03 | 1 | 1 | 1 | 1 |
| 10 | COVER - CONTROL BOX (A) | G.S | 440900-01 | 1 | 1 | 1 | 1 |
| 11 | PLUG | 3191-12P | 412832-04 | 1 | 1 | 1 | 1 |
| 12 | CAPACITOR | 280VAC, 10UuF | 416921-05 | 1 | 1 | 1 | 1 |
| 13 | OVERLOAD - GEAR MOTOR | NW-3P-2 | 427253-01 | 1 | 1 | 1 | 1 |

HA
DCM-240BAB

F. CONTROL BOX (B) ASSY

(C-1) (C-2)
(B-1) (B-2) (B-3)
(B-0) (A-1) (A-2)

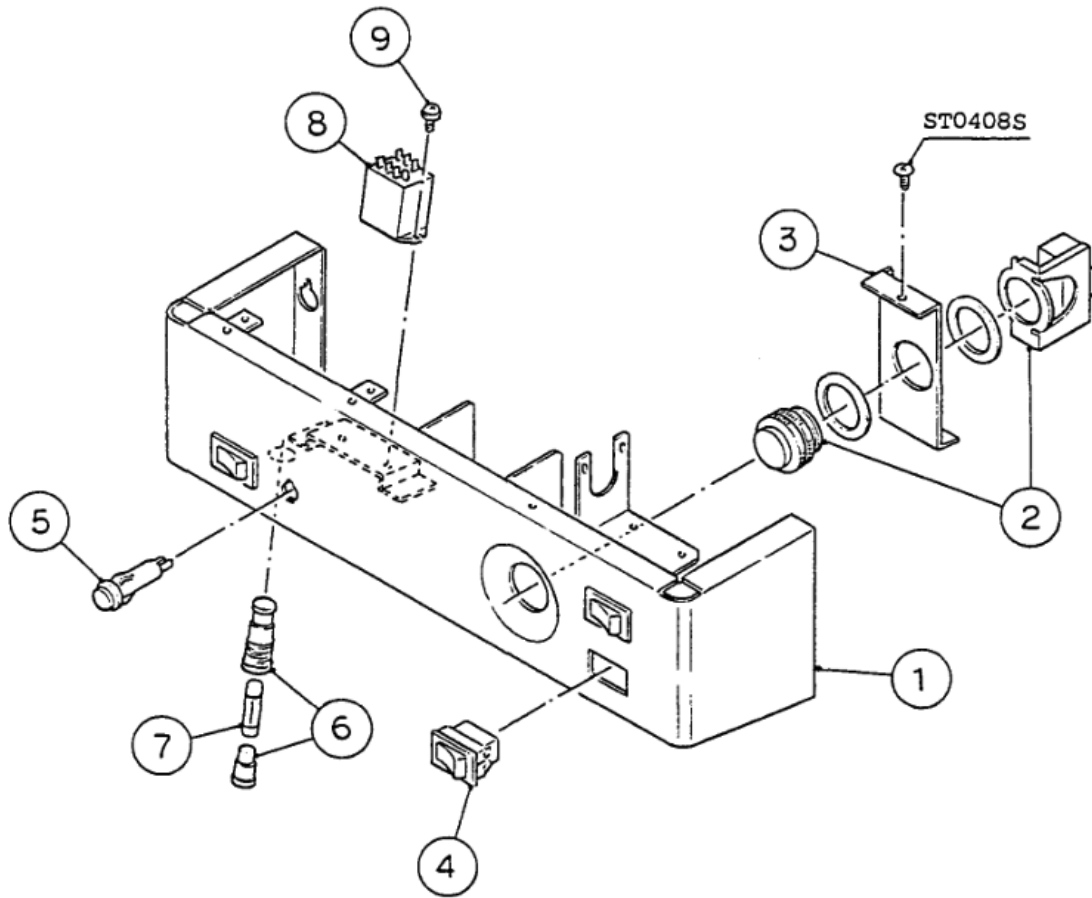


HA

| MODEL: DCM-240BAB TITLE: F. CONTROL (B) BOX ASSY | | | | | | | |
|--|-------------------|--------------------------|-------------|-------------|-----|-----|-----|
| INDEX NO. | DESCRIPTION | MATERIAL OR MODEL NUMBER | PART NUMBER | REQD NUMBER | | | |
| | | | | A-1 | A-2 | B-0 | B-1 |
| 1 | CONTROL BOX (B) | G.S | 327129G01 | 1 | 1 | 1 | 1 |
| 2 | STARTER | AMVL-180BF | 440251-02 | 1 | 1 | 1 | 1 |
| 3 | TAPPING SCREW | 3x8 | 431415-01 | 1 | 1 | 1 | 1 |
| 4 | RUN CAPACITOR | PMT-33300P | 428391-02 | 1 | 1 | 1 | 1 |
| 5 | START CAPACITOR | MS240F100(J)-R | 426901 -01 | 1 | 1 | 1 | 1 |
| 6 | STRAP - CAPACITOR | G.S | 432425-01 | 1 | 1 | 1 | 1 |
| 7 | 3P PLUG HOUSING | 3191-03P | 412832-06 | 1 | 1 | 1 | 1 |

HA

| MODEL: DCM-240BAB TITLE: F. CONTROL (B) BOX ASSY | | | | | | | |
|--|-------------------|--------------------------|-------------|-------------|-----|-----|-----|
| INDEX NO. | DESCRIPTION | MATERIAL OR MODEL NUMBER | PART NUMBER | REQD NUMBER | | | |
| | | | | B-2 | B-3 | C-1 | C-2 |
| 1 | CONTROL BOX (B) | G.S | 327129G01 | 1 | 1 | 1 | 1 |
| 2 | STARTER | AMVL-180BF | 440251-02 | 1 | 1 | 1 | 1 |
| 3 | TAPPING SCREW | 3x8 | 431415-01 | 1 | 1 | 1 | 1 |
| 4 | RUN CAPACITOR | PMT-33300P | 428391-02 | 1 | 1 | 1 | 1 |
| 5 | START CAPACITOR | MS240F100(J)-R | 426901-01 | 1 | 1 | 1 | 1 |
| 6 | STRAP - CAPACITOR | G.S | 432425-01 | 1 | 1 | 1 | 1 |
| 7 | 3P PLUG HOUSING | 3191-03P | 412832-06 | 1 | 1 | 1 | 1 |

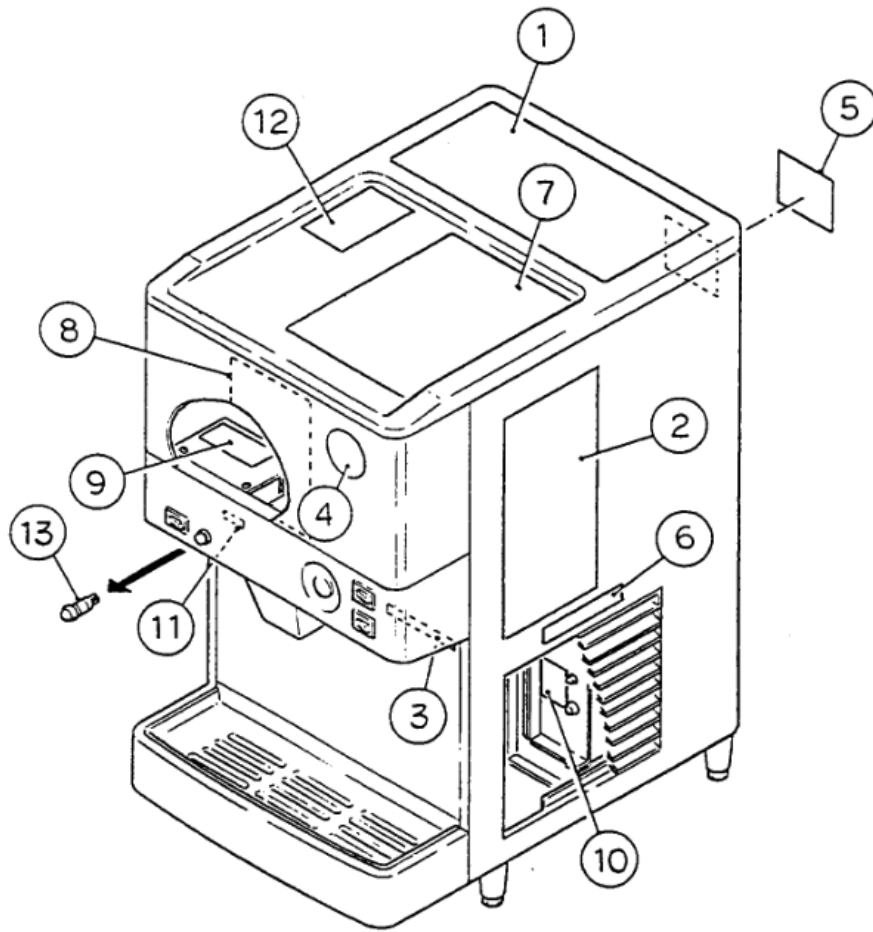


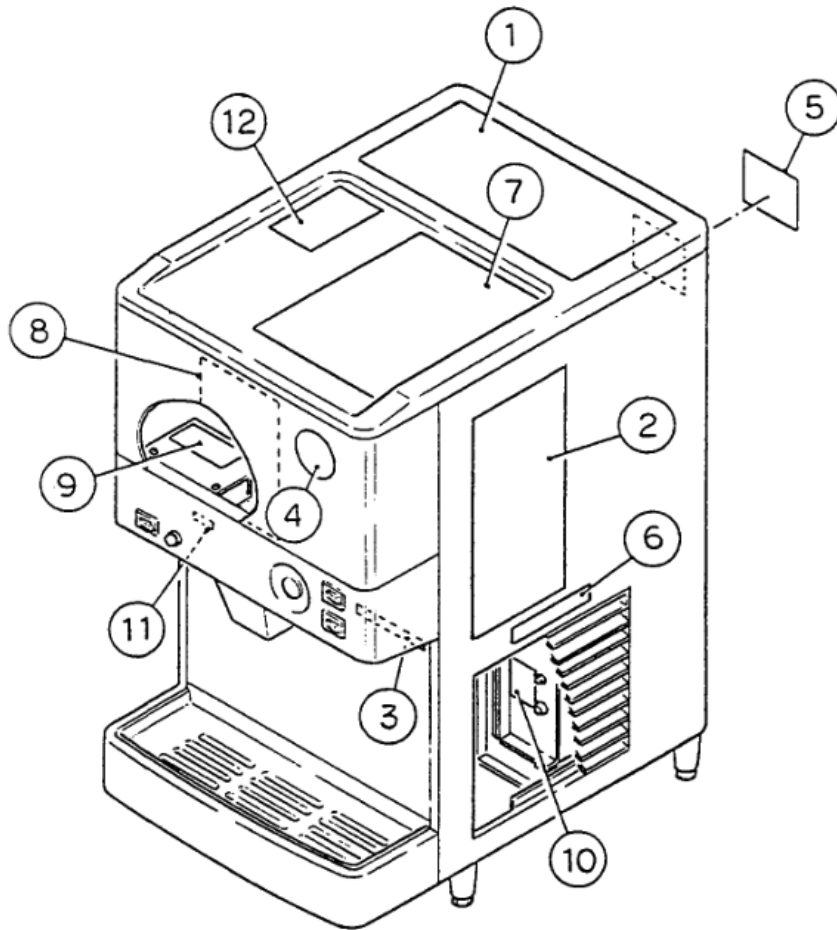
HA

| MODEL: DCM-240BAB | | TITLE: G. MIDDLE FRONT PANEL ASSY | | | | | |
|--------------------------|--------------------|--|---------------------------|-------------|-----|-----|-----|
| INDEX NO. | DESCRIPTION | MATERIAL OR MODEL NUMBER | PART NUMBER | REQD NUMBER | | | |
| | | | | A-1 | A-2 | B-0 | B-1 |
| 1 | MIDDLE FRONT PANEL | S.S | 216344G01 | 1 | 1 | 1 | 1 |
| 2 | PUSH SW. | ZAP-1B | 435745-02 | 1 | 1 | 1 | 1 |
| 3 | SW.BRACKET | S.S | 440437-01 | 1 | 1 | 1 | 1 |
| 4 | ROCKER SWITCH | HLS112A | 421490-01 | 4 | 4 | 4 | 4 |
| 5 | LAMP | A107P-RFN | 423965-01 | 1 | 1 | 1 | 1 |
| 6 | FUSE HOLDER | PFP9090-0101 | 440464-01 | 1 | 1 | 1 | 1 |
| 7 | FUSE | 314015.15A250V | 420468-05 | 1 | 1 | 1 | 1 |
| 8 | RELAY | LY1F.AC120V | 418271-03 | 1 | 1 | 1 | 1 |
| 9 | TAPPING SCREW | 3x8 | 431415-01 | 2 | 2 | 2 | 2 |

HA

| MODEL: DCM-240BAB TITLE: G. MIDDLE FRONT PANEL ASSY | | | | | | | |
|---|--------------------|--------------------------|---------------------------|--------------|-----|-----|-----|
| INDEX NO. | DESCRIPTION | MATERIAL OR MODEL NUMBER | PART NUMBER | REQ'D NUMBER | | | |
| | | | | B-2 | B-3 | C-1 | C-2 |
| 1 | MIDDLE FRONT PANEL | S.S | 216344G01 | 1 | 1 | 1 | 1 |
| 2 | PUSH SW. | ZAP-1B | 435745-02 | 1 | 1 | 1 | 1 |
| 3 | SW.BRACKET | S.S | 440437-01 | 1 | 1 | 1 | 1 |
| 4 | ROCKER SWITCH | HLS112A | 421490-01 | 4 | 4 | 4 | 4 |
| 5 | LAMP | A107P-RPN | 423965-01 | 1 | 1 | 1 | - |
| | | 621 T-2 | 446400-01 | | | | 1 |
| 6 | FUSE HOLDER | PFP9090-0101 | 440464-01 | 1 | 1 | 1 | 1 |
| 7 | FUSE | 314015.15A250V | 420468-05 | 1 | 1 | 1 | 1 |
| 8 | RELAY | LY1F.AC120V | 418271-03 | 1 | 1 | 1 | 1 |
| 9 | TAPPING SCREW | 3x8 | 431415-01 | 2 | 2 | 2 | 2 |



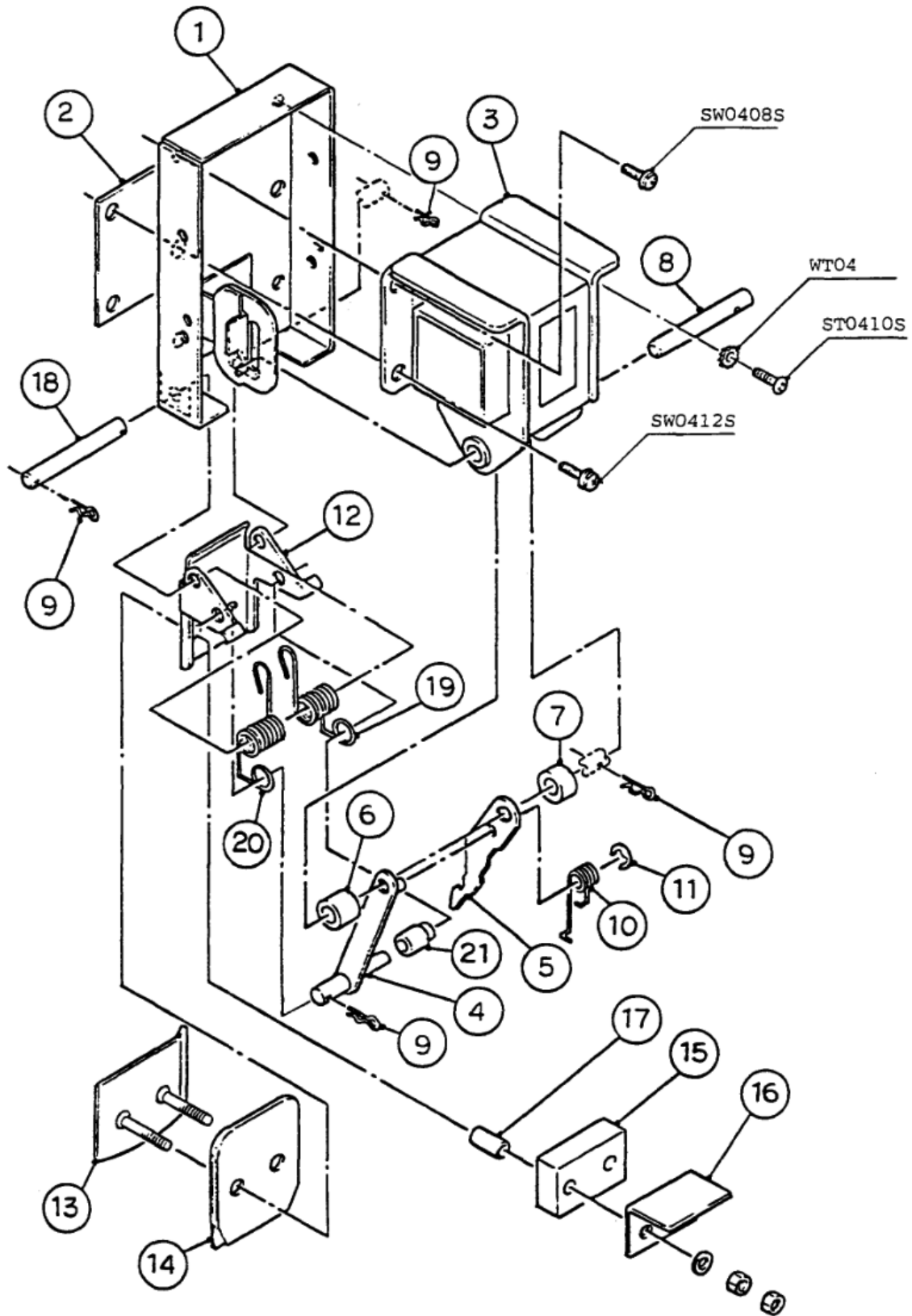


HA

| MODEL: DCM-240BAB TITLE : H. LABEL LOCATION | | | | | | | |
|---|--------------------|--------------------------|-------------|-------------|-----|-----|-----|
| INDEX NO. | DESCRIPTION | MATERIAL OR MODEL NUMBER | PART NUMBER | REQD NUMBER | | | |
| | | | | A-1 | A-2 | B-0 | B-1 |
| 1 | INSTRUCTION SHEET | PAPER | 216397-01 | 1 | 1 | 1 | 1 |
| 2 | INSTRUCTION LABEL | PES | 216398-01 | 1 | 1 | 1 | 1 |
| 3 | MODEL NUMBER LABEL | PES | 435985-23 | 1 | 1 | 1 | 1 |
| 4 | LABEL - PENGUIN | PETP FILM | 423949-01 | 1 | 1 | 1 | 1 |
| 5 | NAMEPLATE | PES FILM | 440925-01 | 1 | 1 | 1 | 1 |
| 6 | LABEL - AIR FILTER | PETP FILM | 426177-01 | 1 | 1 | 1 | 1 |
| 7 | LABEL - CLEANING | PETP FILM | 216399-01 | 1 | 1 | 1 | 1 |
| 8 | WIRING LABEL | PVC FILM | 327195-01 | 1 | 1 | 1 | 1 |
| 9 | RATING LABEL | PES FILM | 440926-01 | 1 | 1 | 1 | 1 |
| 10 | LABEL - RESET | PETP FILM | 435319-01 | 1 | 1 | 1 | 1 |
| 11 | LABEL - FUSE (15A) | PETP FILM | 425324-03 | 1 | 1 | 1 | 1 |
| 12 | CAUTION LABEL | PVC FILM | 441560-01 | 1 | 1 | 1 | 1 |
| 13 | LABEL - LAMP | PAPER | 427602-01 | 1 | 1 | 1 | 1 |

HA

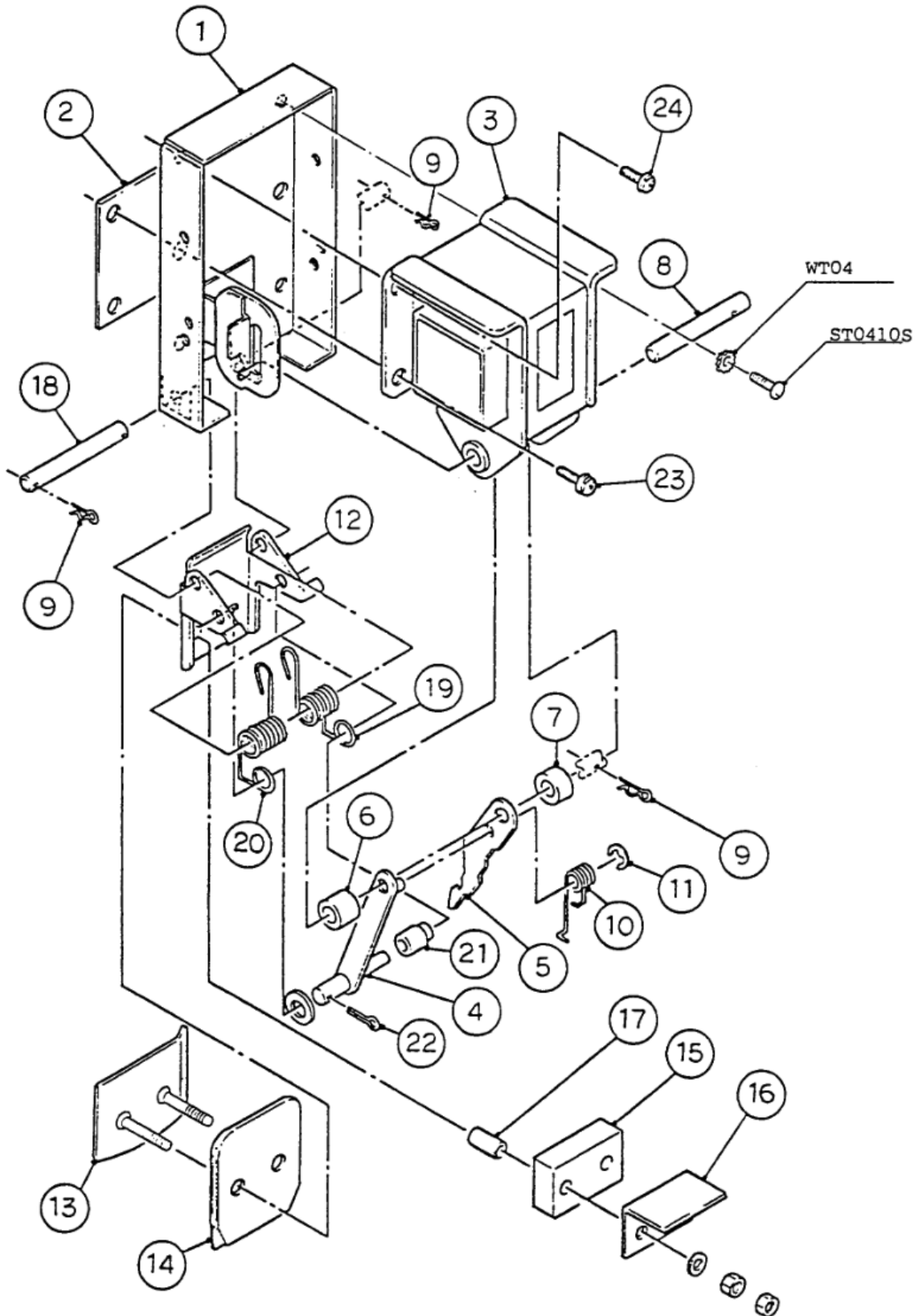
| MODEL: DCM-240BAB TITLE: H. LABEL LOCATION | | | | | | | |
|--|--------------------|--------------------------|---------------------------|--------------|-----|-----|-----|
| INDEX NO. | DESCRIPTION | MATERIAL OR MODEL NUMBER | PART NUMBER | REQ'D NUMBER | | | |
| | | | | B-2 | B-3 | C-1 | C-2 |
| 1 | INSTRUCTION SHEET | PAPER | 216397-01 | 1 | 1 | 1 | 1 |
| 2 | INSTRUCTION LABEL | PES | 216398-01 | 1 | 1 | 1 | 1 |
| 3 | MODEL NUMBER LABEL | PES | 435985-23 | 1 | 1 | 1 | 1 |
| 4 | LABEL - PENGUIN | PETP FILM | 423949-01 | 1 | 1 | 1 | 1 |
| 5 | NAMEPLATE | PES FILM | 440925-01 | 1 | 1 | 1 | 1 |
| 6 | LABEL - AIR FILTER | PETP FILM | 426177-01 | 1 | 1 | 1 | 1 |
| 7 | LABEL - CLEANING | PETP FILM | 216399-01 | 1 | 1 | 1 | 1 |
| 8 | WIRING LABEL | PVC FILM | 327195-01 | 1 | 1 | 1 | 1 |
| 9 | RATING LABEL | PES FILM | 440926-01 | 1 | 1 | 1 | 1 |
| 10 | LABEL - RESET | PETP FILM | 435319-01 | 1 | 1 | 1 | 1 |
| 11 | LABEL-FUSE (15A) | PETP FILM | 425324-03 | 1 | 1 | 1 | 1 |
| 12 | CAUTION LABEL | RVC FILM | 441560-01 | 1 | 1 | 1 | 1 |
| 13 | LABEL - LAMP | PAPER | 427602-01 | 1 | 1 | 1 | - |



HA
DCM-240BAB

J. SHUTTER ASSY

(C-2) (B-2) (B-3)
(B-1) (B-0) (A-2)

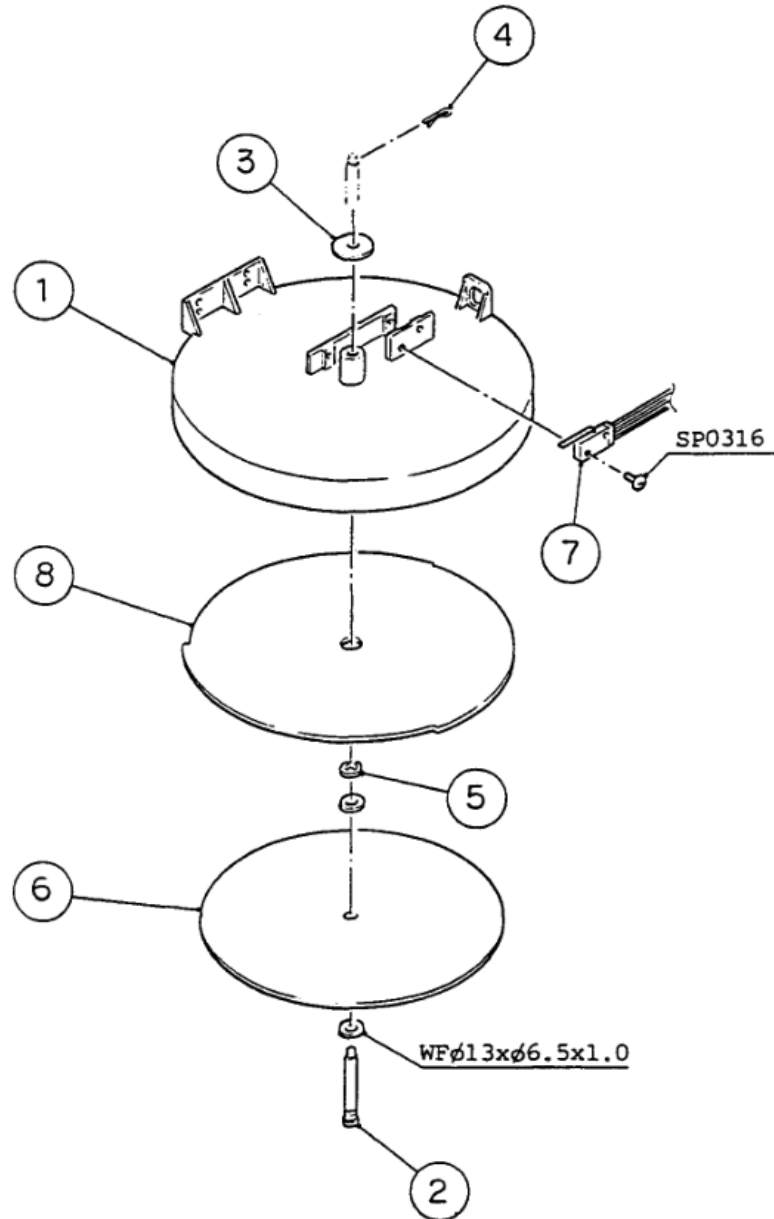


HA

| MODEL: DCM-240BAB TITLE: J. SHUTTER ASSY | | | | | | | |
|--|----------------------|--------------------------|----------------------------|-------------|-----|-----|-----|
| INDEX NO. | DESCRIPTION | MATERIAL OR MODEL NUMBER | PART NUMBER | REQD NUMBER | | | |
| | | | | A-1 | A-2 | B-0 | B-1 |
| 1 | BRACKET-SOLENOID | S.S | 320896G02 | 1 | 1 | 1 | 1 |
| 2 | SPACER | ABS | 432514-01 | 1 | 1 | 1 | 1 |
| 3 | SOLENOID | AS-20-N075 | 437926-01 | 1 | 1 | 1 | 1 |
| 4 | SHAFT | S.S | 433088G02 | 1 | - | | |
| | | S.S | 441645G01 | | 1 | 1 | 1 |
| 5 | HOOK-SHUTTER | S.S | 438406-01 | 1 | 1 | 1 | 1 |
| 6 | COLLAR (A) | ABS | 432524-01 | 1 | 1 | 1 | 1 |
| 7 | COLLAR (B) | ABS | 432524-02 | 1 | 1 | 1 | 1 |
| 8 | SHAFT (A) - SOLENOID | S.S | 432517-02 | 1 | 1 | 1 | 1 |
| 9 | SNAP PIN | S.S, SSP-5 | 715S-0005 | 4 | 3 | 3 | 3 |
| 10 | SPRING | S.S | 411532-01 | 1 | 1 | 1 | 1 |
| 11 | "E" RING | S.S, 4 | 721 S-0004 | 1 | 1 | 1 | 1 |
| 12 | STOPPER | S.S | 432518-03 | 1 | 1 | 1 | 1 |
| 13 | PLATE (A) - SHUTTER | S.S | 423946G01 | 1 | 1 | 1 | 1 |
| 14 | PLATE (B)-SHUTTER | EPDM | 423948-01 | 1 | 1 | 1 | 1 |
| 15 | PLATE(C) - SHUTTER | SY. R FOAM | 419150-01 | 1 | 1 | 1 | 1 |
| 16 | PLATE(D) - SHUTTER | S.S | 419151-01 | 1 | 1 | 1 | 1 |
| 17 | COLLAR (C)-SHUTTER | S.S | 411539-03 | 2 | 2 | 2 | 2 |
| 18 | SHAFT (A) | S.S | 432523-01 | 1 | 1 | 1 | 1 |
| 19 | SPRING (RIGHT) | S.S | 434478-01 | 1 | 1 | 1 | 1 |
| 20 | SPRING (LEFT) | S.S | 434479-01 | 1 | 1 | 1 | 1 |
| 21 | SHAFT(B2) | S.S | 432520-02 | 1 | 1 | 1 | 1 |
| 22 | SPLIT PIN | S.S, 1.6x15 | 711SP1615 | | 1 | 1 | 1 |
| 23 | SCREW | S.S, 4x12 | 434838-02 | | 4 | 4 | 4 |
| 24 | SCREW | S.S, 4x8 | 434838-01 | | 1 | 1 | 1 |

HA

| MODEL: DCM-240BAB TITLE: J. SHUTTER ASSY | | | | | | | |
|--|----------------------|--------------------------|-------------|-------------|-----|-----|-----|
| INDEX NO. | DESCRIPTION | MATERIAL OR MODEL NUMBER | PART NUMBER | REQD NUMBER | | | |
| | | | | B-2 | B-3 | C-1 | C-2 |
| 1 | BRACKET - SOLENOID | S.S | 320896G02 | 1 | 1 | 1 | 1 |
| 2 | SPACER | ABS | 432514-01 | 1 | 1 | 1 | 1 |
| 3 | SOLENOID | AS-20-N075 | 437926-01 | 1 | 1 | 1 | 1 |
| 4 | SHAFT | S.S | 441645G01 | 1 | 1 | 1 | 1 |
| 5 | HOOK-SHUTTER | S.S | 438406-01 | 1 | 1 | 1 | 1 |
| 6 | COLLAR (A) | ABS | 432524-01 | 1 | 1 | 1 | 1 |
| 7 | COLLAR (B) | ABS | 432524-02 | 1 | 1 | 1 | 1 |
| 8 | SHAFT (A) - SOLENOID | S.S | 432517-02 | 1 | 1 | 1 | 1 |
| 9 | SNAP PIN | S.S, SSP-5 | 715S-0005 | 4 | 3 | 3 | 3 |
| 10 | SPRING | S.S | 411532-01 | 1 | 1 | 1 | 1 |
| 11 | -E" RING | S.S, 4 | 721 S-0004 | 1 | 1 | 1 | 1 |
| 12 | STOPPER | S.S | 432518-03 | 1 | 1 | 1 | 1 |
| 13 | PLATE (A) - SHUTTER | S.S | 423946G01 | 1 | 1 | 1 | 1 |
| 14 | PLATE (B) - SHUTTER | EPDM | 423948-01 | 1 | 1 | 1 | 1 |
| 15 | PLATE (C) - SHUTTER | SY. R FOAM | 419150-01 | 1 | 1 | 1 | 1 |
| 16 | PLATE (D) - SHUTTER | S.S | 419151-01 | 1 | 1 | 1 | 1 |
| 17 | COLLAR (C) - SHUTTER | S.S | 411539-03 | 2 | 2 | 2 | 2 |
| 18 | SHAFT (A) | S.S | 432523-01 | 1 | 1 | 1 | 1 |
| 19 | SPRING (RIGHT) | S.S | 434478-01 | 1 | 1 | 1 | 1 |
| 20 | SPRING (LEFT) | S.S | 434479-01 | 1 | 1 | 1 | 1 |
| 21 | SHAFT (B2) | S.S | 432520-02 | 1 | 1 | 1 | 1 |
| 22 | SPLIT PIN | S.S, 1.6x15 | 711SP1615 | 1 | 1 | 1 | 1 |
| 23 | SCREW | S.S, 4x12 | 434838-02 | 4 | 4 | 4 | 4 |
| 24 | SCREW | S.S, 4x8 | 434838-01 | 1 | 1 | 1 | 1 |



HA

| MODEL: DCM-240BAB TITLE: K. COVER ASSY - BIN TOP | | | | | | | |
|--|-----------------|--------------------------|-------------|--------------|-----|-----|-----|
| INDEX NO. | DESCRIPTION | MATERIAL OR MODEL NUMBER | PART NUMBER | REQ'D NUMBER | | | |
| | | | | A-1 | A-2 | B-0 | B-1 |
| 1 | COVER - BIN TOP | ABS | 103829G01 | 1 | 1 | 1 | 1 |
| 2 | SHAFT | S.S | 423958-01 | 1 | 1 | 1 | 1 |
| 3 | BALANCE PLATE | S.S | 423959-01 | 1 | 1 | 1 | 1 |
| 4 | SNAP PIN | S.S, SSP-4 | 715S-0004 | 1 | 1 | 1 | 1 |
| 5 | "E" RING | S.S | 721 S-0005 | 1 | 1 | 1 | 1 |
| 6 | BALANCE PLATE | ABS | 417473-02 | 1 | 1 | 1 | 1 |
| 7 | MICROSWITCH | V-5L11155W | 423950-01 | 1 | 1 | 1 | 1 |
| 8 | INSIDE PLATE | ABS | 207830-01 | 1 | 1 | 1 | 1 |

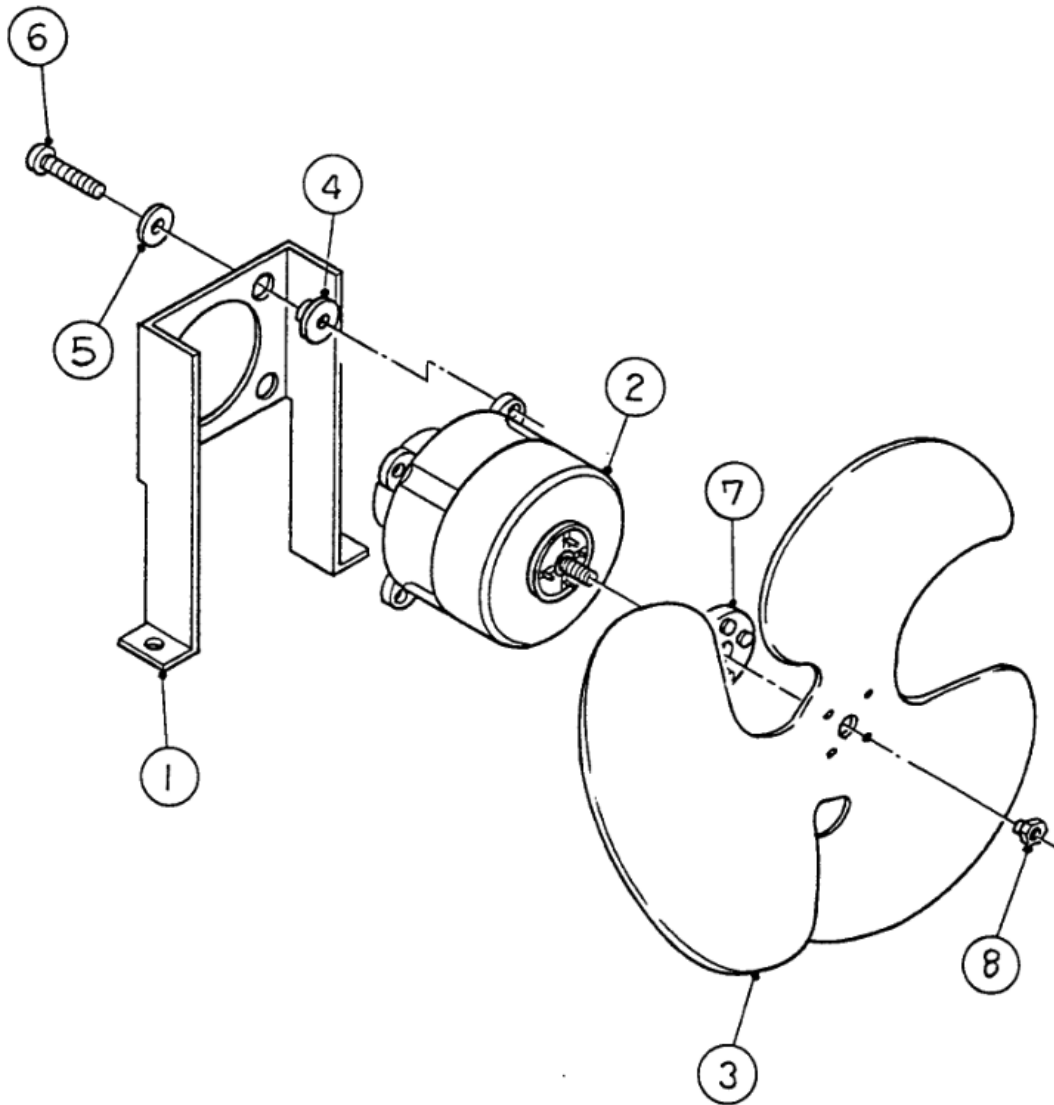
HA

| MODEL: DCM-240BAB | | TITLE: K. COVER ASSY - BIN TOP | | | | | |
|--------------------------|-----------------|---------------------------------------|-------------|-------------|-----|-----|-----|
| INDEX NO. | DESCRIPTION | MATERIAL OR MODEL NUMBER | PART NUMBER | REQD NUMBER | | | |
| | | | | B-2 | B-3 | C-1 | C-2 |
| 1 | COVER - BIN TOP | ABS | 103829G01 | 1 | 1 | 1 | 1 |
| 2 | SHAFT | S.S | 423958-01 | 1 | 1 | 1 | 1 |
| 3 | BALANCE PLATE | S.S | 423959-01 | 1 | 1 | 1 | 1 |
| 4 | SNAP PIN | S.S, SSP-4 | 715S-0004 | 1 | 1 | 1 | 1 |
| 5 | "E" RING | S.S | 721 S-0005 | 1 | 1 | 1 | 1 |
| 6 | BALANCE PLATE | ABS | 417473-02 | 1 | 1 | 1 | 1 |
| 7 | MICROSWITCH | V-5L11155W | 423950-01 | 1 | 1 | 1 | 1 |
| 8 | INSIDE PLATE | ABS | 207830-01 | 1 | 1 | 1 | 1 |

HA
DCM-240BAB

L. FAN MOTOR ASSY

(C-1) (C-2)
(B-1) (B-2) (B-3)
(B-0) (A-1) (A-2)

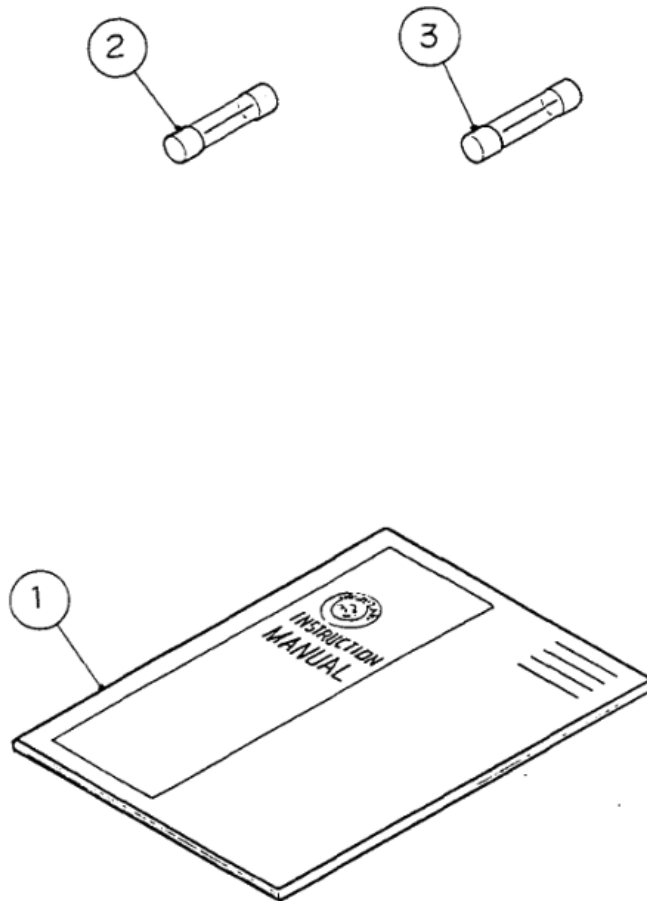


HA

| MODEL: DCM-240BAB TITLE: L. FAN MOTOR ASSY | | | | | | | |
|--|-------------------------|--------------------------|---------------------------|-------------|-----|-----|-----|
| INDEX NO. | DESCRIPTION | MATERIAL OR MODEL NUMBER | PART NUMBER | REQD NUMBER | | | |
| | | | | A-1 | A-2 | B-0 | B-1 |
| 1 | BRACKET (B) - FAN MOTOR | G.S | 307282-02 | 1 | 1 | 1 | 1 |
| 2 | FAN MOTOR | EK-TZ2 | 2U0005-01 | 1 | 1 | 1 | 1 |
| 3 | FAN BLADE | 0230, ALUMINIUM | 414392-01 | 1 | 1 | 1 | 1 |
| 4 | GROMMET (A) | - | 414390F01 | 4 | 4 | 4 | 4 |
| 5 | WASHER-GROMMET | - | 414390F03 | 8 | 8 | 8 | 8 |
| 6 | SCREW | - | 414390F05 | 4 | 4 | 4 | 4 |
| 7 | PAD | - | 414390F06 | 1 | 1 | 1 | 1 |
| 8 | NUT | - | 414390F07 | 1 | 1 | 1 | 1 |

HA

| MODEL: DCM-240BAB | | TITLE: L. FAN MOTOR ASSY | | | | | |
|--------------------------|-------------------------|---------------------------------|-------------|-------------|-----|-----|-----|
| INDEX NO. | DESCRIPTION | MATERIAL OR MODEL NUMBER | PART NUMBER | REQD NUMBER | | | |
| | | | | B-2 | B-3 | C-1 | C-2 |
| 1 | BRACKET (B) - FAN MOTOR | G.S | 307282-02 | 1 | 1 | 1 | 1 |
| 2 | FAN MOTOR | EK-TZ2 | 2U0005-01 | 1 | 1 | 1 | 1 |
| 3 | FAN BLADE | 0230, ALUMINIUM | 414392-01 | 1 | 1 | 1 | 1 |
| 4 | GROMMET(A) | - | 414390F01 | 4 | 4 | 4 | 4 |
| 5 | WASHER-GROMMET | - | 414390F03 | 8 | 8 | 8 | 8 |
| 6 | SCREW | - | 414390F05 | 4 | 4 | 4 | 4 |
| 7 | PAD | - | 414390F06 | 1 | 1 | 1 | 1 |
| 8 | NUT | - | 414390F07 | 1 | 1 | 1 | 1 |

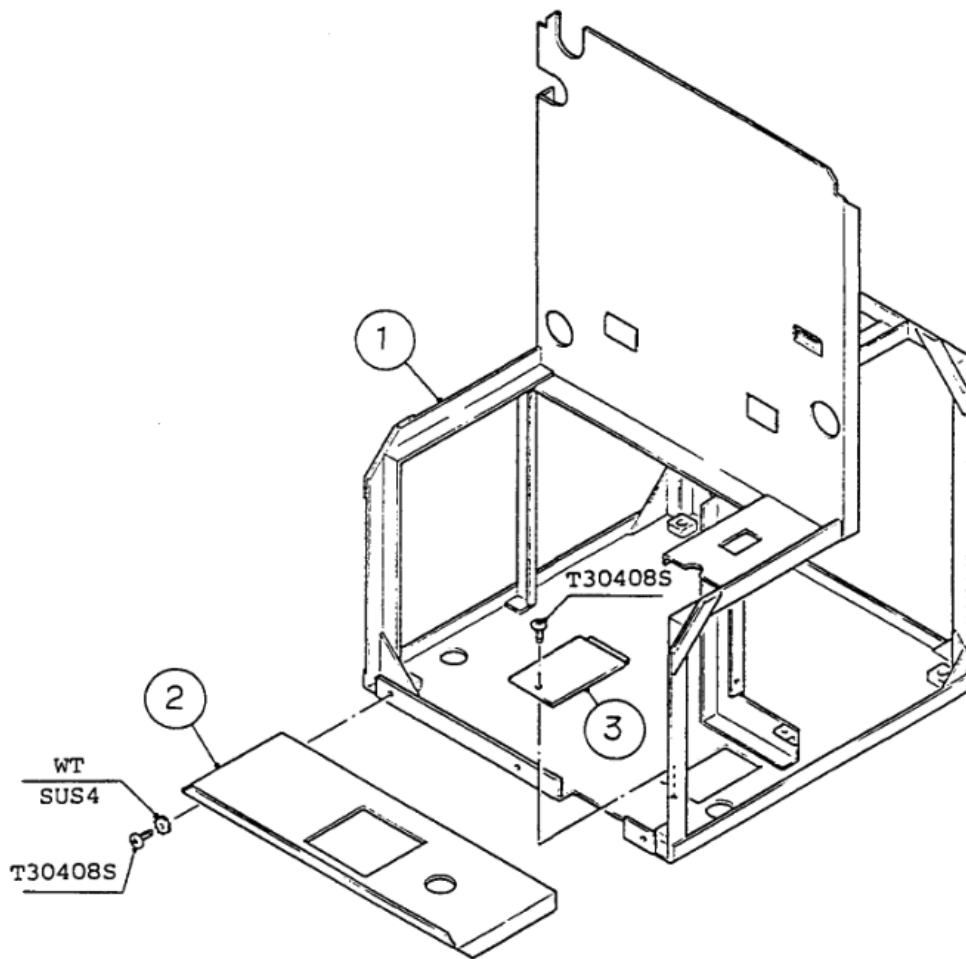


HA

| MODEL: DCM-240BAB TITLE: M. ACCESSORIES | | | | | | | |
|---|--------------------|--------------------------|-------------|--------------|-----|-----|-----|
| INDEX NO. | DESCRIPTION | MATERIAL OR MODEL NUMBER | PART NUMBER | REQ'D NUMBER | | | |
| | | | | A-1 | A-2 | B-0 | B-1 |
| 1 | INSTRUCTION MANUAL | PAPER | 91U2GR10A | 1 | 1 | 1 | 1 |
| 2 | FUSE | FGA02, 1A250V | 420468-03 | 1 | 1 | 1 | 1 |
| 3 | FUSE | 314015.15A250V | 420468-05 | 1 | 1 | 1 | 1 |

HA

| MODEL: DCM-240BAB TITLE: M. ACCESSORIES | | | | | | | |
|---|--------------------|--------------------------|-------------|--------------|-----|-----|-----|
| INDEX NO. | DESCRIPTION | MATERIAL OR MODEL NUMBER | PART NUMBER | REQ'D NUMBER | | | |
| | | | | B-2 | B-3 | C-1 | C-2 |
| 1 | INSTRUCTION MANUAL | PAPER | 91U2GR10A | 1 | 1 | 1 | 1 |
| 2 | FUSE | FGA02, 1A250V | 420468-03 | 1 | 1 | 1 | 1 |
| 3 | FUSE | 314015.15A250V | 420468-05 | 1 | 1 | 1 | 1 |



HA

| MODEL: DCM-240BAB TITLE: N. FRAME | | | | | | | |
|---|-----------------|--------------------------|-------------|--------------|-----|-----|-----|
| INDEX NO. | DESCRIPTION | MATERIAL OR MODEL NUMBER | PART NUMBER | REQ'D NUMBER | | | |
| | | | | A-1 | A-2 | B-0 | B-1 |
| 1 | FRAME (A) | G.S | 106030G01 | | | | 1 |
| 2 | FRAME (B) | G.S | 329483-01 | | | | 1 |
| 3 | COVER - CHASSIS | G.S | 436917-01 | | | | 1 |

HA

| MODEL: DCM-240BAB TITLE: N. FRAME | | | | | | | |
|---|-----------------|--------------------------|-------------|-------------|-----|-----|-----|
| INDEX NO. | DESCRIPTION | MATERIAL OR MODEL NUMBER | PART NUMBER | REQD NUMBER | | | |
| | | | | B-2 | B-3 | C-1 | C-2 |
| 1 | FRAME (A) | G.S | 106030G01 | 1 | 1 | 1 | 1 |
| 2 | FRAME (B) | G.S | 329483-01 | 1 | 1 | 1 | 1 |
| 3 | COVER - CHASSIS | G.S | 436917-01 | 1 | 1 | 1 | 1 |