



HOSHIZAKI

Parts List

Cubelet Icemaker/Dispenser

Models

DCM-270BAH-OS



hoshizakiamerica.com

Number: 71231
Issued: 2-11-2004
Revised: 9-18-2017

CONTENTS

| | |
|---------------------------------|----|
| Auxiliary Codes..... | 3 |
| Note About Ordering Parts | 3 |
| A. Main Assembly | 4 |
| B. Refrigeration Circuit..... | 6 |
| C. Icemaking Unit | 8 |
| D. Water Circuit..... | 11 |
| E. Control Box A..... | 13 |
| F. Control Box B | 15 |
| G. Accessories & Labels..... | 16 |

Auxiliary Codes

DCM-270BAH-OS

P-1 January 2004
P-2 February 2004
Q-0 December 2004
R-0 December 2005
S-0 January 2007
T-0 January 2008
T-1 December 2008
U-0 January 2009
U-1 July 2009
V-0 January 2010
V-1 April 2010
V-2 May 2010
V-3 September 2010
V-4 November 2010
A-0 January 2011
B-0 January 2012
B-1 March 2012
B-2 June 2012
C-0 January 2013
C-1 December 2013
D-0 January 2014
D-0 (F) (D08185F Last) June 2014
D-0 (F) (D08186F First) June 2014
D-1 June 2014
D-2 September 2014
E-0 January 2015
F-0 January 2016

DCM-270BAH-OS Continued

G-0 January 2017
G-1 March 2017
G-2 April 2017
G-3 August 2017

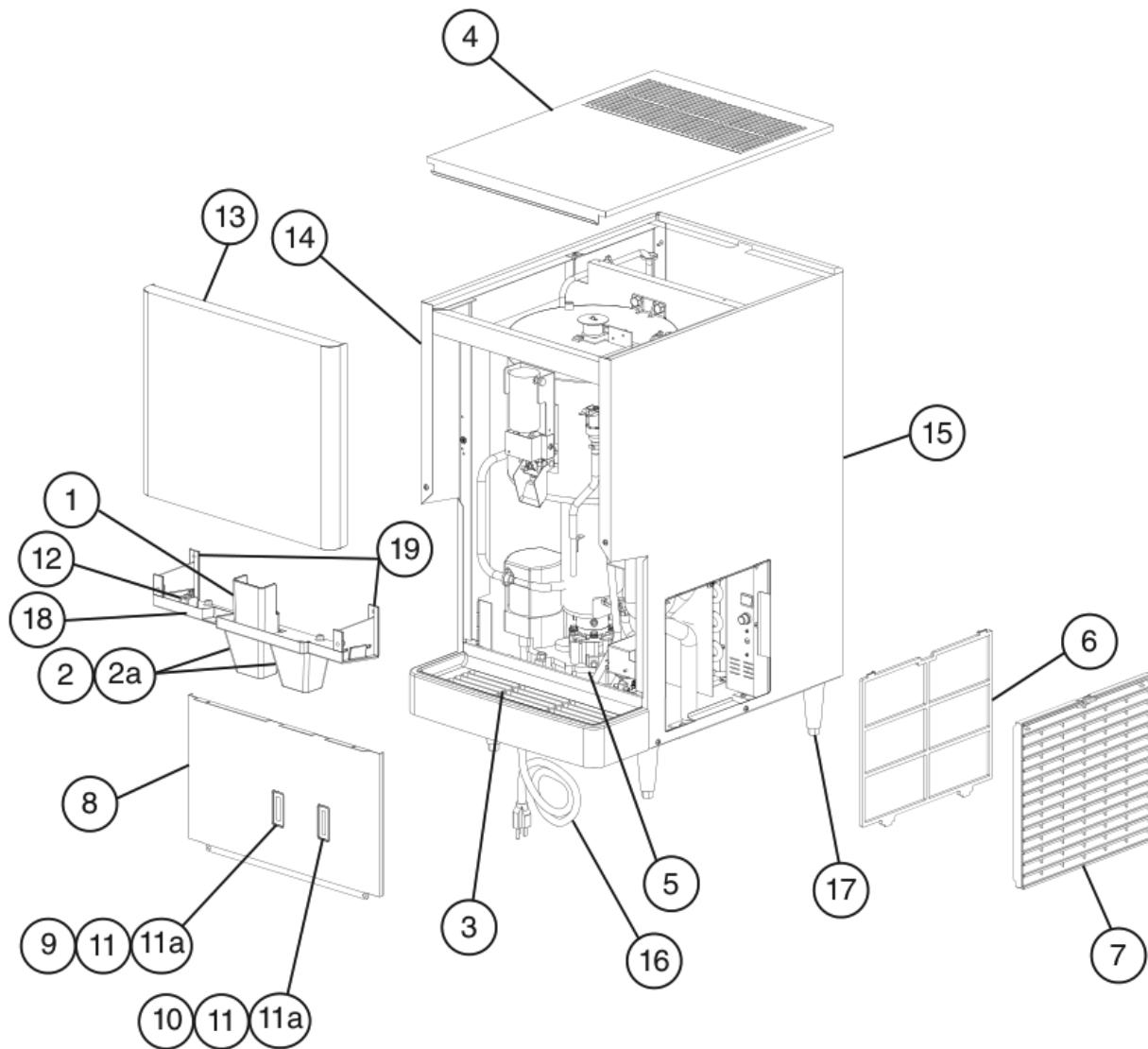
Auxiliary Code Breakdown

The auxiliary code is the first two characters in the serial number. The first character indicates the year. Years progress or regress in alphabetical order. The series runs from "A" through "V" and the letters "I" and "O" are skipped. The second character indicates significant part changes within a year. Base is "0" and this number advances for each change. In cases where there is a letter in parentheses, this designates the month. This is the last character in the serial number. The series runs from "(A)" through "(M)" and the letter "(I)" is skipped. This designation is only included when identifying a parts change within an auxiliary code.

Note About Ordering Parts

Most assemblies cannot be ordered as complete units; parts in the assemblies generally must be ordered separately.

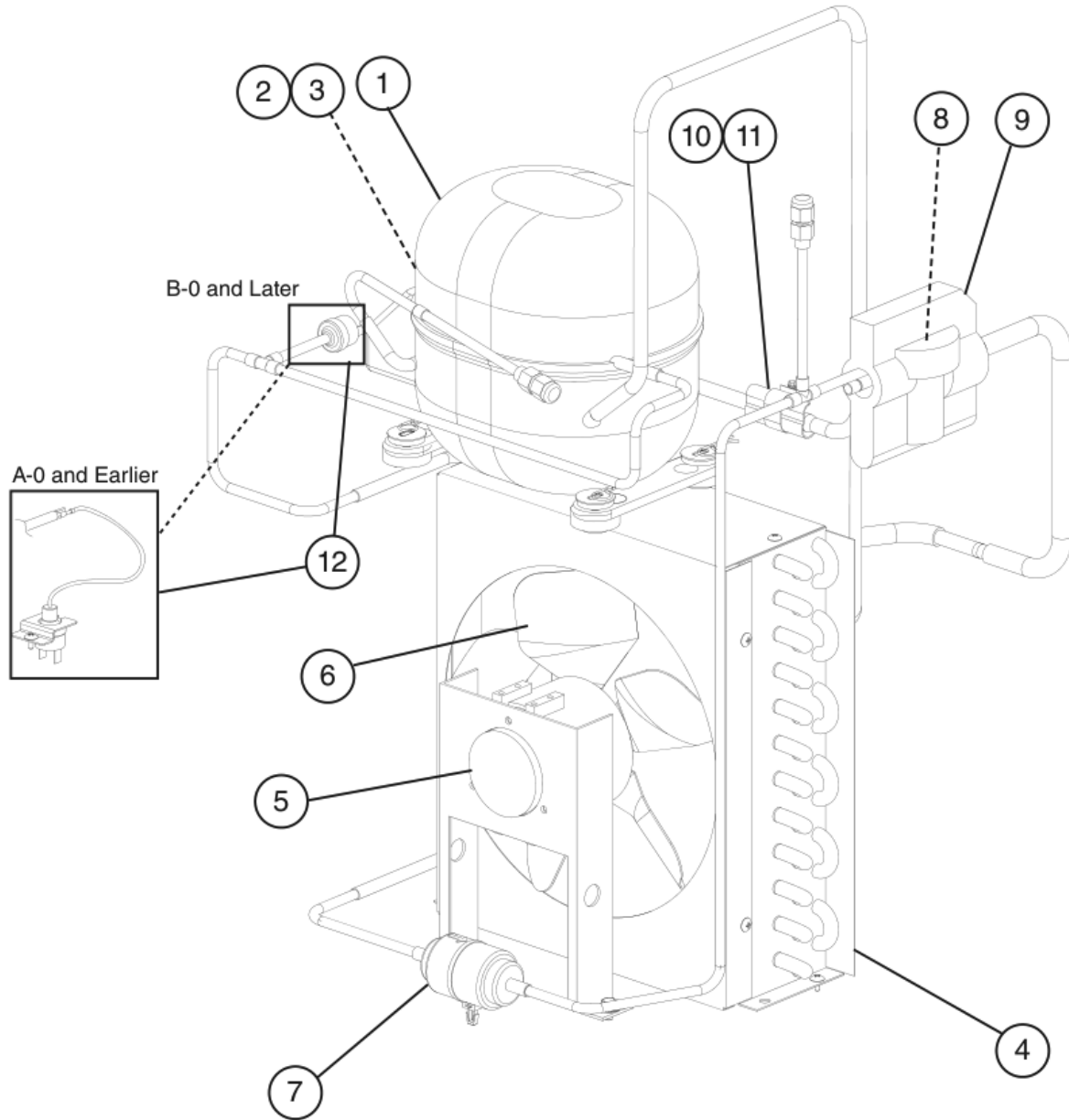
A. Main Assembly
DCM-270BAH-OS
P-1 to G-3



Title: A. Main Assembly Model: DCM-270BAH-OS

| Index No. | Description | Material or Model Number | Part Number | Required Number | | | | | | | | | |
|-----------|------------------------------|--------------------------|-------------|-----------------|--------------------|----------------|------------|--|--|--|--|--|--|
| | | | | P-1 to Q-0 (E) | Q-0 (F) to S-0 (G) | S-0 (H) to U-0 | U-1 to G-3 | | | | | | |
| 1 | Spout A | | 105409-01 | 1 | 1 | 1 | 1 | | | | | | |
| 2 | Spout B | | 105410-01 | 2 | 2 | 2 | 2 | | | | | | |
| 2a | Thumbscrew | | 415949G08 | 2 | 2 | 2 | 2 | | | | | | |
| 3 | Grille | | 102936-04 | 1 | 1 | 1 | 1 | | | | | | |
| 4 | Top Panel | | 2A2916-01 | 1 | 1 | 1 | 1 | | | | | | |
| 5 | Gear Motor Drain Pan | | 3A0766G01 | 1 | 1 | 1 | 1 | | | | | | |
| 6 | Air Filter | | 208840G03 | 1 | 1 | 1 | 1 | | | | | | |
| 7 | Louver | | 103344-07 | 1 | 1 | 1 | 1 | | | | | | |
| 8 | Apron Panel | | 3A3609G01 | 1 | 1 | 1 | 1 | | | | | | |
| 9 | Ice Sensor | | 4A3753G03 | 1 | 1 | 1 | 1 | | | | | | |
| 10 | Water Sensor | | 4A3753G04 | 1 | 1 | 1 | 1 | | | | | | |
| 11 | Sensor Latch | | 4A3848-01 | | 2 | 2 | 2 | | | | | | |
| 11a | Thumbscrew | | 415949G10 | | 2 | 2 | 2 | | | | | | |
| 12 | Power Switch | | 421491-08 | 1 | 1 | 1 | - | | | | | | |
| | | | 421490-01 | | | | 1 | | | | | | |
| 13 | Front Panel | | 3A2902-01 | 1 | 1 | 1 | - | | | | | | |
| | | | 2A4714-01 | | | | 1 | | | | | | |
| 14 | Left Panel | | 2A2919-01 | 1 | 1 | 1 | - | | | | | | |
| | | | 2A5189-01 | | | | 1 | | | | | | |
| 15 | Right Panel | | 2A2918-01 | 1 | 1 | 1 | - | | | | | | |
| | | | 2A5190-01 | | | | 1 | | | | | | |
| 16 | Power Cord | | 4A1773-01 | 1 | 1 | 1 | 1 | | | | | | |
| 17 | Adjustable Leg | | 4A2145-01 | 4 | 4 | 4 | 4 | | | | | | |
| 18 | Middle Front Frame - Painted | | 2A2928G01 | 1 | 1 | - | | | | | | | |
| | Middle Front Frame | | 2A4263G01 | | | 1 | - | | | | | | |
| | Middle Front Frame A | | 2A5140G02 | | | | 1 | | | | | | |
| 19 | Middle Front Frame B | | 3A5407G01 | | | | 2 | | | | | | |

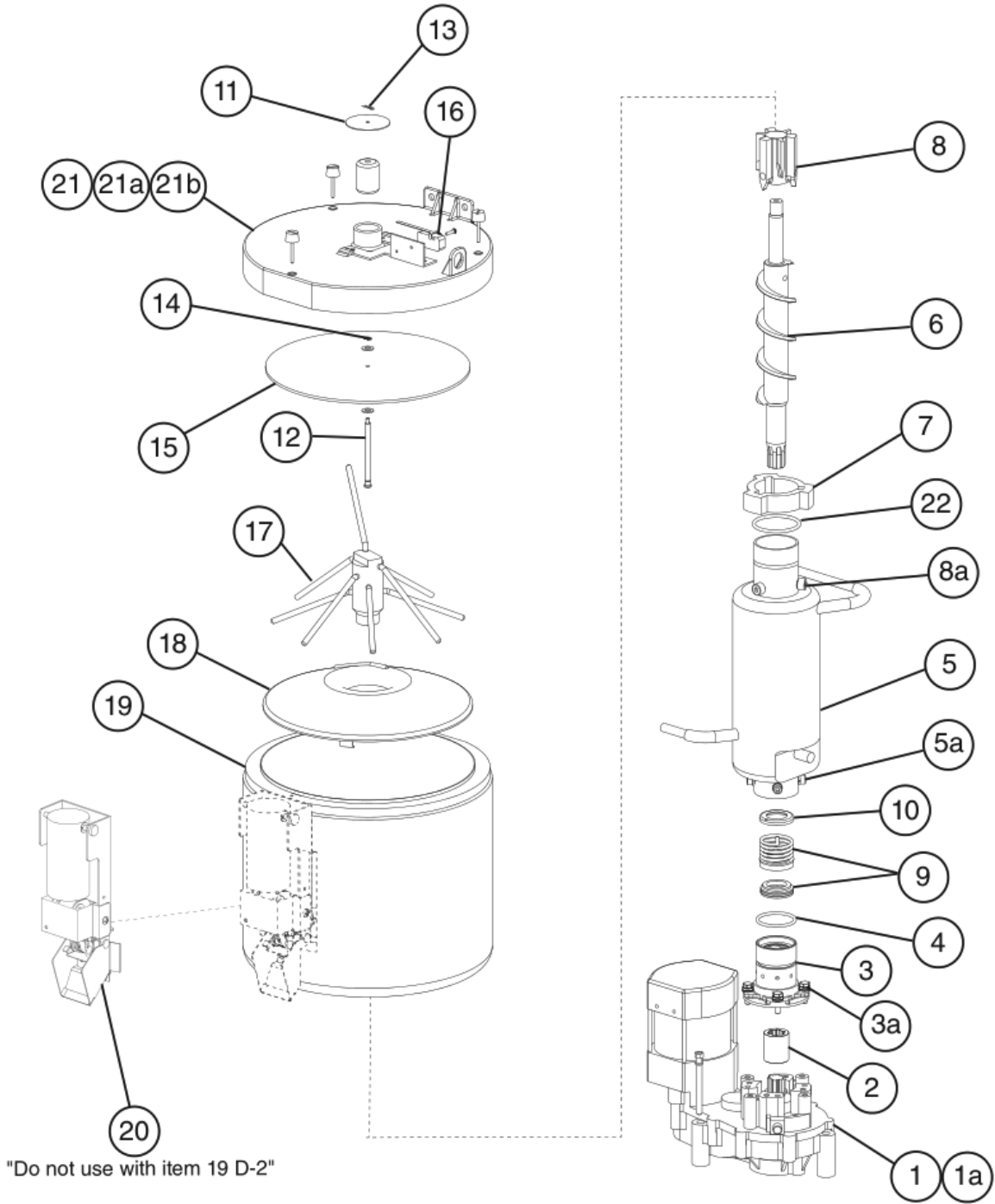
B. Refrigeration Circuit
DCM-270BAH-OS
P-1 to G-3



Title: B. Refrigeration Circuit Model: DCM-270BAH-OS

| Index No. | Description | Material or Model Number | Part Number | Required Number | | | | | | | | |
|-----------|--|--------------------------|-------------|-----------------|------------|------------|--|--|--|--|--|--|
| | | | | P-1 to T-0 | T-1 to A-0 | B-0 to G-3 | | | | | | |
| 1 | Compressor | | 4A2272-01 | 1 | - | | | | | | | |
| | | | 4A4614-01 | | 1 | 1 | | | | | | |
| 2 | Protector | | 4A2272F03 | 1 | - | | | | | | | |
| | | | 4A4614F03 | | 1 | 1 | | | | | | |
| 3 | Start Relay | | 4A2294-01 | 1 | 1 | 1 | | | | | | |
| 4 | Condenser | | 2A0780-01 | 1 | 1 | 1 | | | | | | |
| 5 | Fan Motor | | 4A0815-01 | 1 | 1 | 1 | | | | | | |
| 6 | Fan Blade | | 3A0608-01 | 1 | 1 | 1 | | | | | | |
| 7 | Drier | | 4A1113-01 | 1 | 1 | 1 | | | | | | |
| 8 | Thermostatic Expansion Valve | | 4A1117-01 | 1 | 1 | 1 | | | | | | |
| 9 | Thermostatic Expansion Valve Cover | | 4A1168-01 | 1 | 1 | 1 | | | | | | |
| 10 | Thermostatic Expansion Valve Bulb Holder | | 3A0107-01 | 1 | 1 | 1 | | | | | | |
| 11 | Clamp | | 443461-02 | 1 | 1 | 1 | | | | | | |
| 12 | High-Pressure Switch | | 433441-05 | 1 | 1 | - | | | | | | |
| | | | 463180-05 | | | 1 | | | | | | |

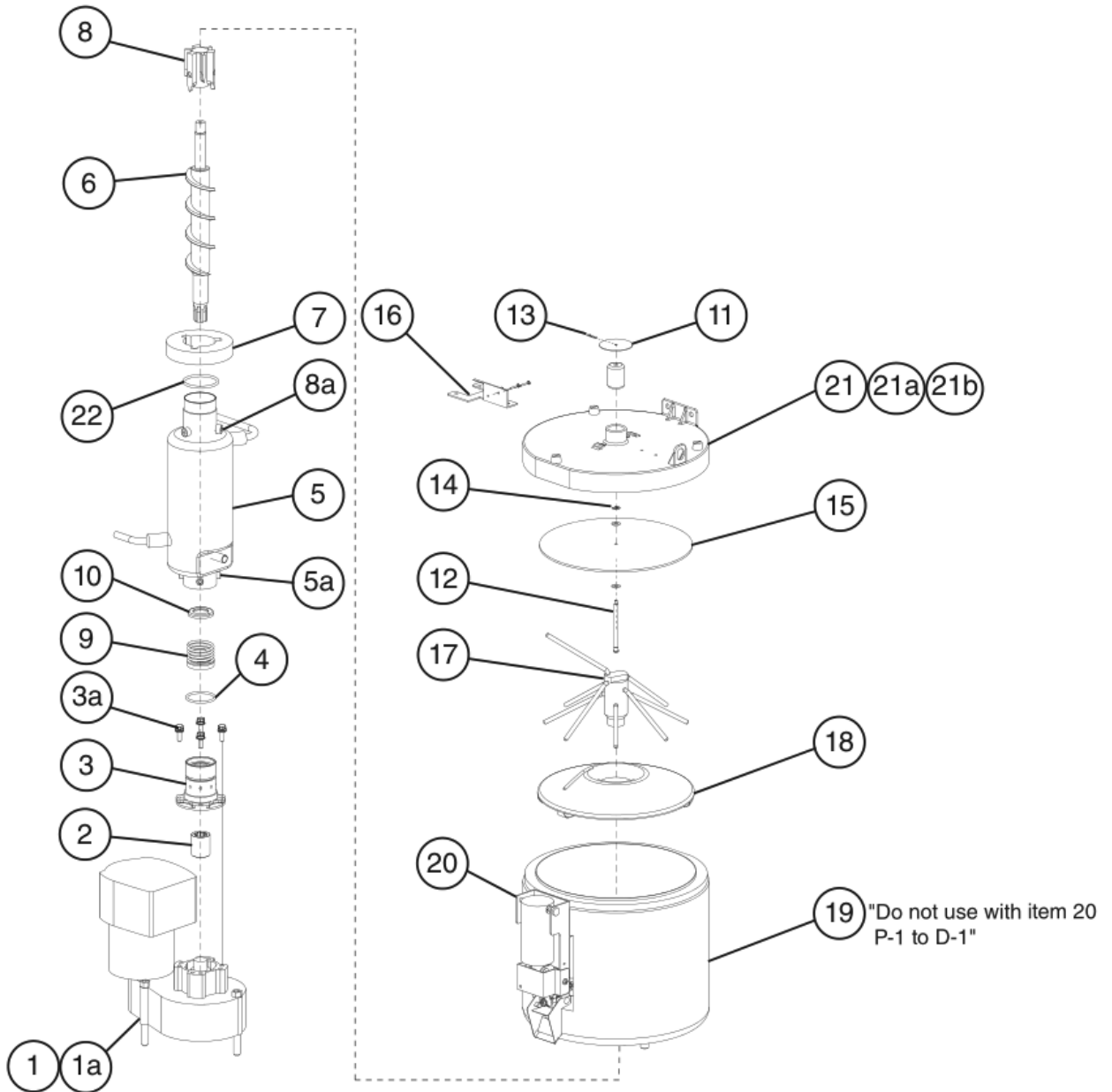
C. Icemaking Unit
DCM-270BAH-OS
1/2
 P-1 to D-1



C. Icemaking Unit DCM-270BAH-OS

2/2

D-2 to G-3

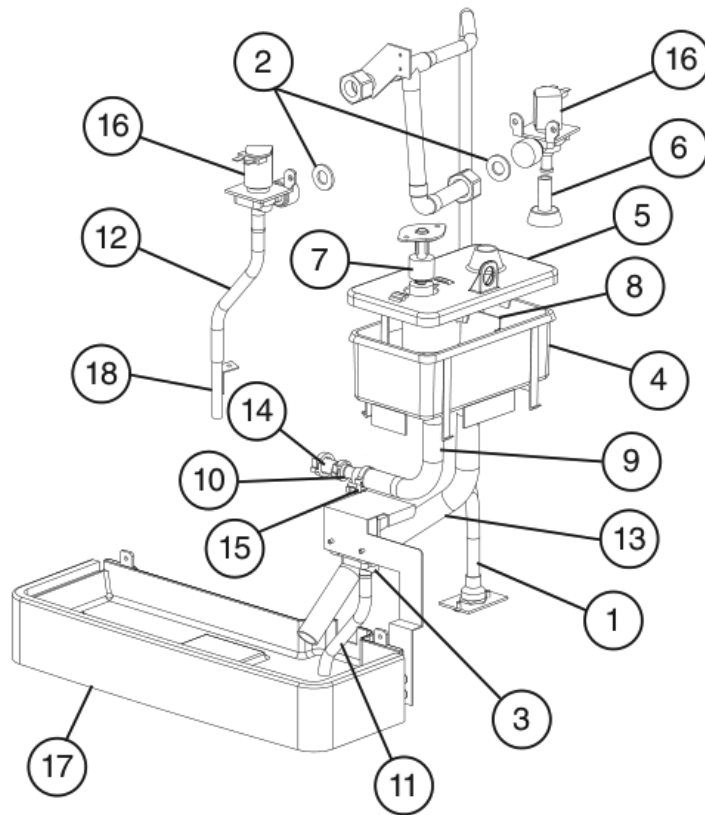


| Title: C. Icemaking Unit Model: DCM-270BAH-OS | | | | | | | | | | | | |
|---|--|--------------------------|-------------|-----------------|------------|------------|------------|-----|--|--|--|--|
| Index No. | Description | Material or Model Number | Part Number | Required Number | | | | | | | | |
| | | | | P-1 to V-1 | V-2 to D-1 | D-2 to G-0 | G-1 to G-2 | G-3 | | | | |
| 1 | Gear Motor | | 2U0147-01 | 1 | 1 | 1 | 1 | 1 | | | | |
| 1a | Socket Head Cap Screw | 6x10, SS | 7S12-0890 | 3 | 3 | 3 | 3 | 3 | | | | |
| 2 | Spline Coupling | | 418316-01 | 1 | 1 | 1 | 1 | 1 | | | | |
| 3 | Housing | | 206013G03 | 1 | 1 | 1 | - | | | | | |
| | | | 383613G01 | | | | 1 | 1 | | | | |
| 3a | Hex Bolt | 6x20 | 458660-01 | 1 | 1 | 1 | 1 | 1 | | | | |
| 4 | O-Ring | | 7616-G040 | 1 | 1 | 1 | 1 | 1 | | | | |
| 5 | Evaporator | | 332576G01 | 1 | 1 | 1 | 1 | 1 | | | | |
| 5a | Socket Head Cap Screw | 6x10, SS | 7S12-0610 | 4 | - | | | | | | | |
| | | | P01718-01 | | 4 | 4 | 4 | 4 | | | | |
| 6 | Auger | | 361014G01 | 1 | 1 | 1 | 1 | - | | | | |
| | | | 269910G01 | | | | | 1 | | | | |
| 7 | Upper Evaporator Casing Cover | | 413446-01 | 1 | 1 | - | | | | | | |
| | | | 471716P01 | | | 1 | 1 | 1 | | | | |
| 8 | Extruding Head | | 327236G02 | 1 | 1 | 1 | 1 | 1 | | | | |
| 8a | Seal Bolt | | P01768-01 | 3 | 3 | 3 | 3 | 3 | | | | |
| 9 | Mechanical Seal | | 432491-01 | 1 | 1 | 1 | 1 | 1 | | | | |
| 10 | Ring | | 432494-01 | 1 | 1 | 1 | 1 | 1 | | | | |
| 11 | Small Balance Plate | | 465782-01 | 1 | 1 | 1 | 1 | 1 | | | | |
| 12 | Shaft | | 465781-01 | 1 | 1 | 1 | 1 | 1 | | | | |
| 13 | Snap Pin | | 715S-0004 | 1 | 1 | 1 | 1 | 1 | | | | |
| 14 | E-Ring | | 721S-0005 | 1 | 1 | 1 | 1 | 1 | | | | |
| 15 | Large Balance Plate | | 417473-02 | 1 | 1 | 1 | 1 | 1 | | | | |
| 16 | Microswitch | | 461294-01 | 1 | 1 | 1 | 1 | 1 | | | | |
| 17 | Agitator | | 348969G01 | 1 | 1 | 1 | 1 | 1 | | | | |
| 18 | Drip Ring | | 207754-03 | 1 | 1 | 1 | 1 | 1 | | | | |
| 19 | Storage Bin (Do not use aux. code D-2 and later with item 20 aux. code P-1 to D-1) | | 228516G07 | 1 | 1 | - | | | | | | |
| | | | 253636G01 | | | 1 | 1 | 1 | | | | |
| 20 | Shutter Assembly (Do not use aux. code P-1 to D-1 with item 19 aux. code D-2 and later) | | 237274A02 | 1 | 1 | - | | | | | | |
| | | | 121220A02 | | | 1 | 1 | 1 | | | | |
| 21 | Storage Bin Top Cover | | 240921A01 | 1 | 1 | 1 | 1 | 1 | | | | |
| 21a | Thumbscrew | | 430825G01 | 3 | 3 | 3 | 3 | 3 | | | | |
| 21b | Thumbscrew | | 415949G08 | 2 | 2 | 2 | 2 | 2 | | | | |
| 22 | O-Ring | | 7616-P048 | 1 | 1 | 1 | 1 | 1 | | | | |

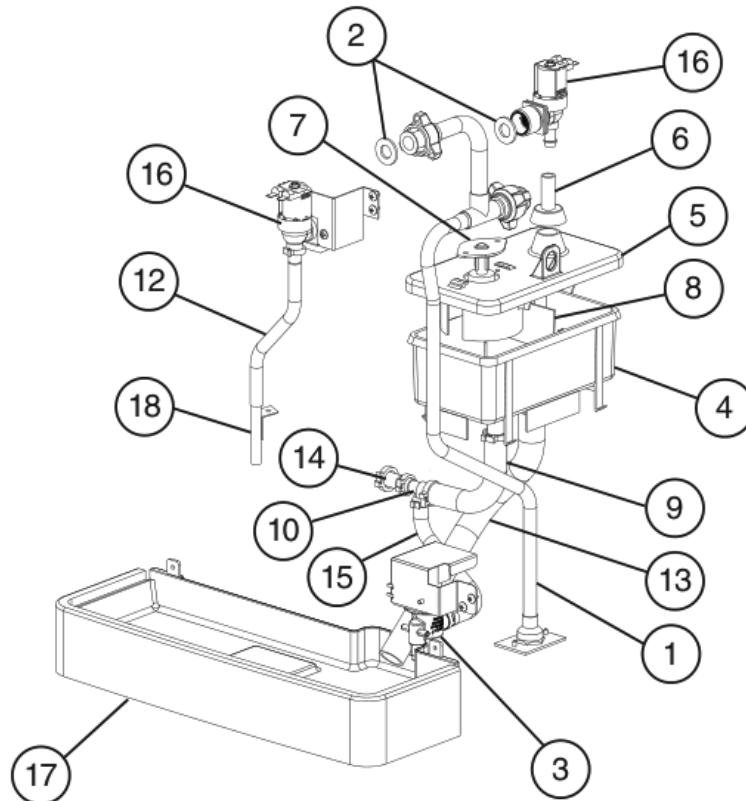
D. Water Circuit DCM-270BAH-OS

P-1 to G-3

S-0 (F) and Earlier



S-0 (G) and Later



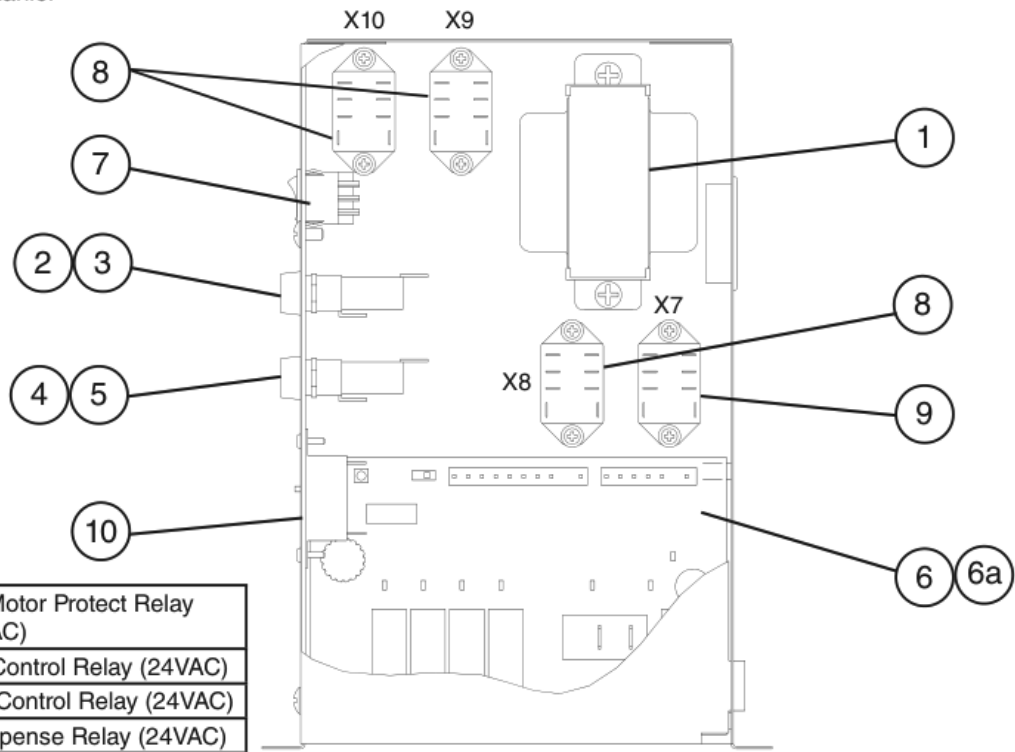
Title: D. Water Circuit Model: DCM-270BAH-OS

| Index No. | Description | Material or Model Number | Part Number | Required Number | | | | | | | | | |
|--------------------|--|--------------------------|-------------|-----------------|--------------------|-----------|------------|------------|--|--|--|--|--|
| | | | | P-1 to S-0 (F) | S-0 (G) to U-0 (C) | U-0 (D-F) | U-1 to B-0 | B-1 to G-3 | | | | | |
| 1 | Water Supply Pipe | | 2A0787G01 | 1 | - | | | | | | | | |
| | | | 2A4181G01 | | 1 | 1 | 1 | - | | | | | |
| | | | 2A4181G02 | | | | | 1 | | | | | |
| 2 | Rubber Washer | | 4A0867-01 | 2 | 2 | 2 | 2 | - | | | | | |
| | | | 413854-03 | | | | | 2 | | | | | |
| 3 | Drain Valve | | 4A2772-01 | 1 | 1 | 1 | 1 | 1 | | | | | |
| 4 | Reservoir | | 2A0753-01 | 1 | 1 | 1 | 1 | 1 | | | | | |
| 5 | Reservoir Cover | | 214810-01 | 1 | 1 | 1 | 1 | 1 | | | | | |
| 6 | Reservoir Inlet | | 4A0869-01 | 1 | 1 | 1 | 1 | 1 | | | | | |
| 7 | Float Switch | | 435490-01 | 1 | 1 | 1 | 1 | 1 | | | | | |
| 8 | Reservoir Separator | | 4A1255-01 | 1 | 1 | 1 | 1 | 1 | | | | | |
| 9 | Reservoir Hose | | 4A1165-03 | 1 | 1 | 1 | 1 | 1 | | | | | |
| 10 | Tee | | 4A1140-01 | 1 | 1 | 1 | 1 | 1 | | | | | |
| 11 | Vinyl Hose | L=75 mm | 7716-0913 | 1 | 1 | 1 | - | | | | | | |
| 12 | Vinyl Hose | L=215 mm | 7725-0912 | 1 | - | | | | | | | | |
| | | L=200 mm | | | 1 | 1 | 1 | 1 | | | | | |
| 13 | Vinyl Hose | L=280 mm | 7725-1923 | 1 | 1 | 1 | - | | | | | | |
| | | L=310 mm | 7716-2025 | | | | 1 | 1 | | | | | |
| 14 | Silicone Hose | L=35 mm | 7730-1114 | 1 | 1 | 1 | 1 | 1 | | | | | |
| 15 | Silicone Hose | L=85 mm | 773013896 | 1 | 1 | - | | | | | | | |
| | | L=90 mm | | | | 1 | - | | | | | | |
| | | L=145 mm | | | | | 1 | 1 | | | | | |
| 16 | Inlet Water Valve/Dispense Water Valve | | 4A0865-01 | 2 | 2 | 2 | 2 | - | | | | | |
| | | | 4A5309-01 | | | | | 2 | | | | | |
| 17 | Drain Pan | | 318857G04 | 1 | 1 | 1 | 1 | 1 | | | | | |
| 18 | Water Supply Tube | | 4A3216G01 | 1 | 1 | 1 | 1 | 1 | | | | | |
| Hose Clamps | | | | | | | | | | | | | |
| | Hose Clamp | | 4A2017-04 | 6 | 6 | 6 | 5 | 5 | | | | | |
| | Hose Clamp | | 4A2017-05 | 2 | 2 | 2 | 2 | 2 | | | | | |
| | Hose Clamp | | 4A2017-06 | 1 | 1 | 1 | 1 | 1 | | | | | |
| | Hose Clamp | | 4A2017-07 | 1 | 1 | 1 | 1 | 1 | | | | | |

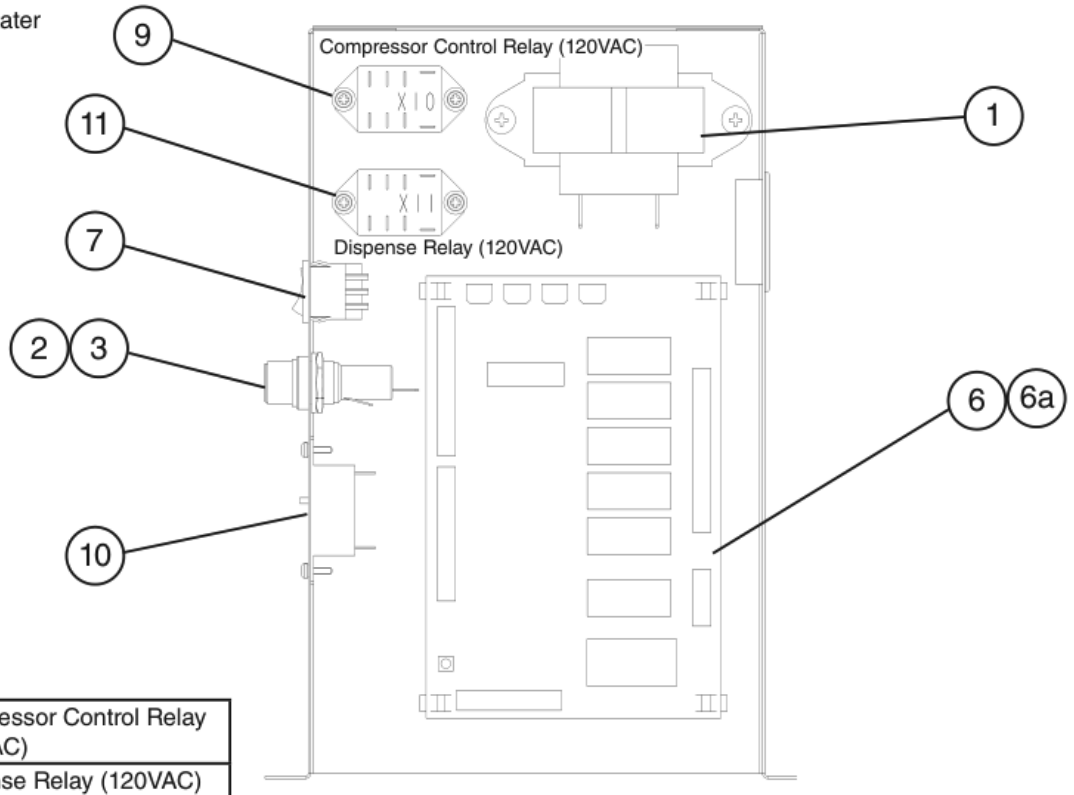
E. Control Box A DCM-270BAH-OS

P-1 to G-3

C-0 and Earlier



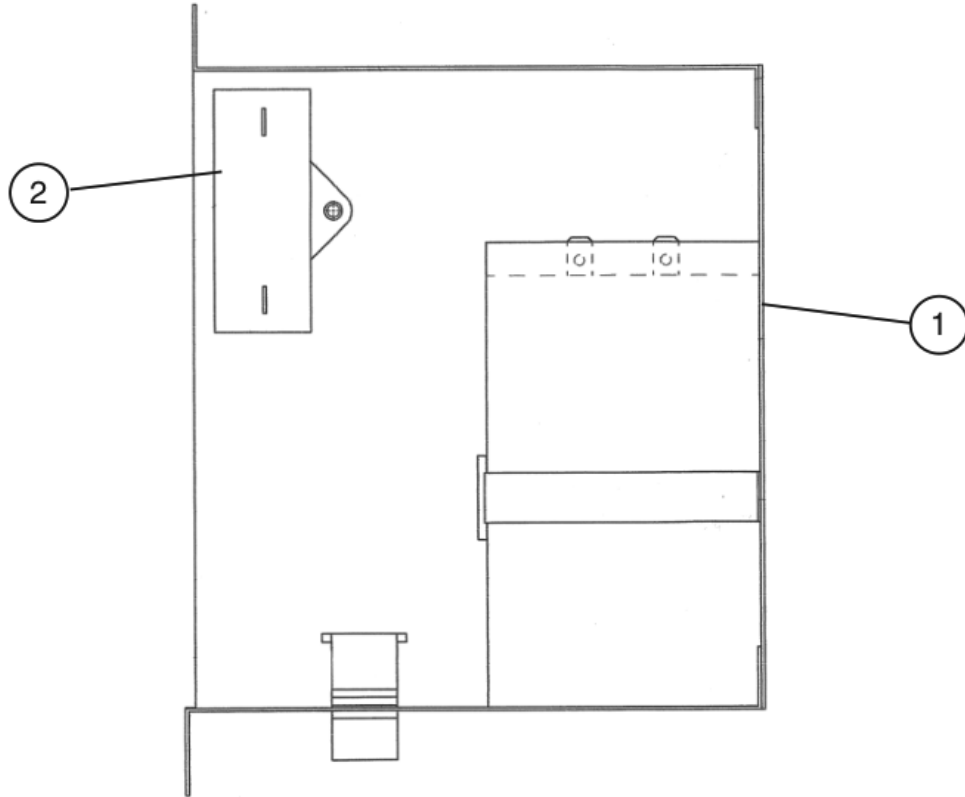
C-1 and Later



Title: E. Control Box A Model: DCM-270BAH-OS

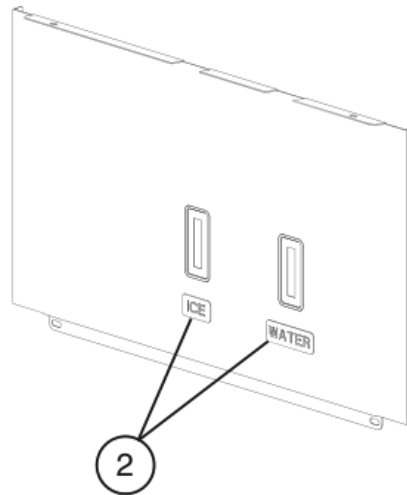
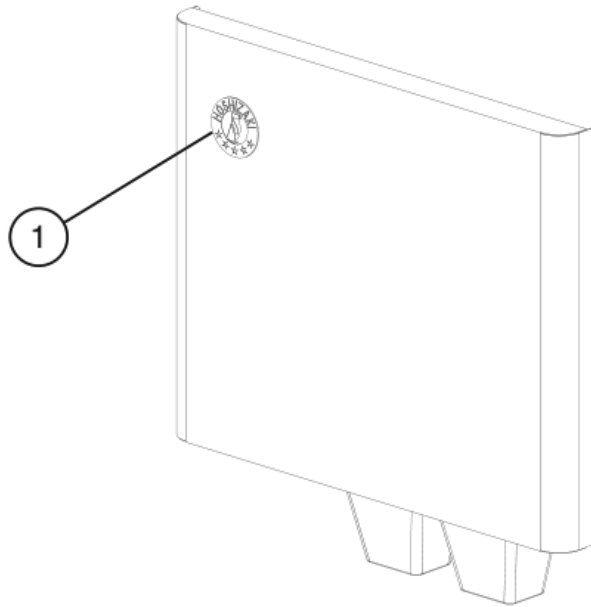
| Index No. | Description | Material or Model Number | Part Number | Required Number | | | | | | | | | | | |
|-----------|---|----------------------------|---------------------------|-----------------|----------------|------------|------------|------------|---|--|--|--|--|--|--|
| | | | | P-1 to U-0 (C) | U-0 (D) to V-4 | A-0 to B-1 | B-2 to C-0 | C-1 to G-3 | | | | | | | |
| 1 | Control Transformer | | 2U0042-02 | 1 | 1 | 1 | - | | | | | | | | |
| | | | 3A6652-01 | | | | 1 | - | | | | | | | |
| | | | 4A0557-01 | | | | | | 1 | | | | | | |
| 2 | Fuse Holder | | 4A0892-01 | 1 | 1 | - | | | | | | | | | |
| | | | 4A3449-01 | | | 1 | 1 | - | | | | | | | |
| | | | 4A5443-01 | | | | | | 1 | | | | | | |
| 3 | Fuse | AGC-1A, 250VAC | 4A0893-01 | 1 | 1 | 1 | 1 | 1 | | | | | | | |
| 4 | Fuse Holder | | 4A0892-02 | 1 | 1 | - | | | | | | | | | |
| | | | 4A3449-02 | | | 1 | - | | | | | | | | |
| | | | 4A5443-01 | | | | | 1 | - | | | | | | |
| 5 | Fuse | AGC-500mA, 250VAC | 4A0893-02 | 1 | 1 | 1 | 1 | - | | | | | | | |
| 6 | Control Board | Timer Board -OS | 2A2867-01 | 1 | 1 | 1 | 1 | - | | | | | | | |
| | | Control Board | 2A8054-01 | | | | | | 1 | | | | | | |
| 6a | Control Board Support | | 4A0336-03 | 4 | 4 | 4 | 4 | 4 | | | | | | | |
| 7 | Control Switch | | 4A1034-01 | 1 | 1 | 1 | 1 | 1 | | | | | | | |
| 8 | Relay (X8, X9, X10) | 24VAC | 406132-03 | 3 | 3 | 3 | 3 | - | | | | | | | |
| 9 | Relay (X7 P-1 to C-0) (X10 C-1 and later) | 120VAC | 418271-03 | 1 | 1 | 1 | 1 | 1 | | | | | | | |
| 10 | Gear Motor External Protector | GMD-1.6A, 120VAC Slow Blow | 427253-01 | 1 | 1 | 1 | 1 | 1 | | | | | | | |
| 11 | Dispense Relay (X11) | 120VAC | 406132-07 | | | | | | 1 | | | | | | |

F. Control Box B
DCM-270BAH-OS
P-1 to G-3



| Title: F. Control Box B | | Model: DCM-270BAH-OS | | Required Number | | | | | | | | | |
|-------------------------|----------------------|--------------------------|---------------------------|-----------------|---|-----------------|--------------------|---------------------------|---|--|--|--|--|
| Index No. | Description | Material or Model Number | Part Number | P-1 to G-3 | | | | | | | | | |
| | | | | | 1 | Start Capacitor | 145-174MFD, 250VAC | 3A0076-01 | 1 | | | | |
| 2 | Gear Motor Capacitor | 10MFD, 280VAC | 416921-05 | 1 | | | | | | | | | |

G. Accessories & Labels
DCM-270BAH-OS
P-1 to G-3



| Title: G. Accessories & Labels Model: DCM-270BAH-OS | | | | | | | | | | | | | | | |
|---|-----------------|--------------------------|-------------|-----------------|--|--|--|--|--|--|--|--|--|--|--|
| Index No. | Description | Material or Model Number | Part Number | Required Number | | | | | | | | | | | |
| | | | | P-1 to G-3 | | | | | | | | | | | |
| 1 | Penguin Label | | 475552L02 | 1 | | | | | | | | | | | |
| 2 | Ice/Water Label | | 4A2954-01 | 1 | | | | | | | | | | | |