



HOSHIZAKI

Parts List

Cubelet Icemaker/Dispenser

Models

DCM-271BAK

DCM-271BAK-OS



hoshizakiamerica.com

Number: 71445

Issued: 5-27-2025

Revised: 9-19-2025

CONTENTS

Auxiliary Codes.....	3
Note About Ordering Parts	3
A. Main Assembly	4
DCM-271BAK.....	4
DCM-271BAK-OS	6
B. Refrigeration Circuit.....	8
C. Icemaking Unit	10
D. Water Circuit	12
E. Control Box Assembly.....	14
F. Accessories & Labels	15

Auxiliary Codes

DCM-271BAK

P-0 January 2024

Q-0 March 2025

DCM-271BAK-OS

Q-0 March 2025

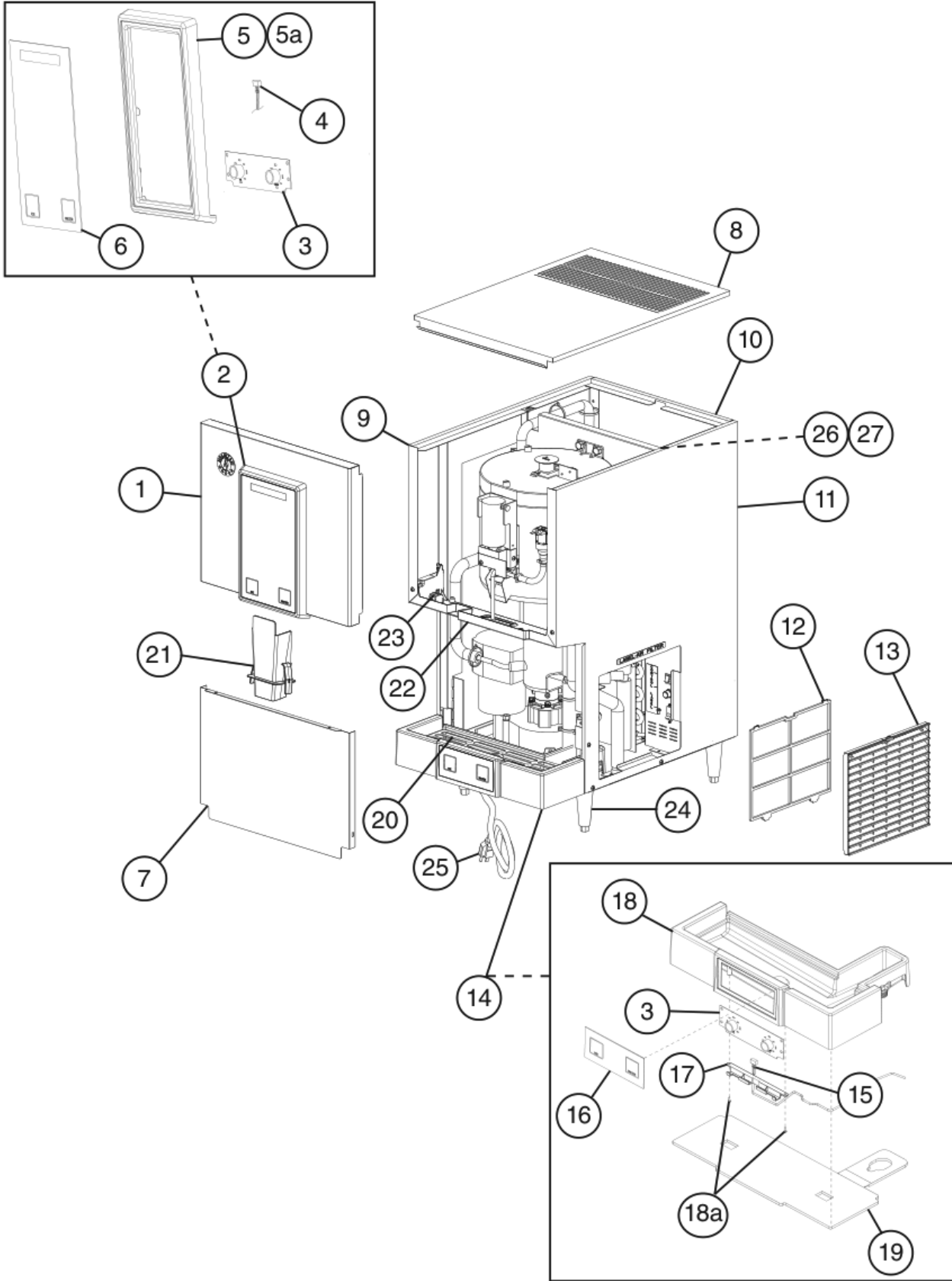
Auxiliary Code Breakdown

The auxiliary code is the first two characters in the serial number. The first character indicates the year. Years progress or regress in alphabetical order. The series runs from "A" through "V" and the letters "I" and "O" are skipped. The second character indicates significant part changes within a year. Base is "0" and this number advances for each change. In cases where there is a letter in parentheses, this designates the month. This is the last character in the serial number. The series runs from "(A)" through "(M)" and the letter "(I)" is skipped. This designation is only included when identifying a parts change within an auxiliary code.

Note About Ordering Parts

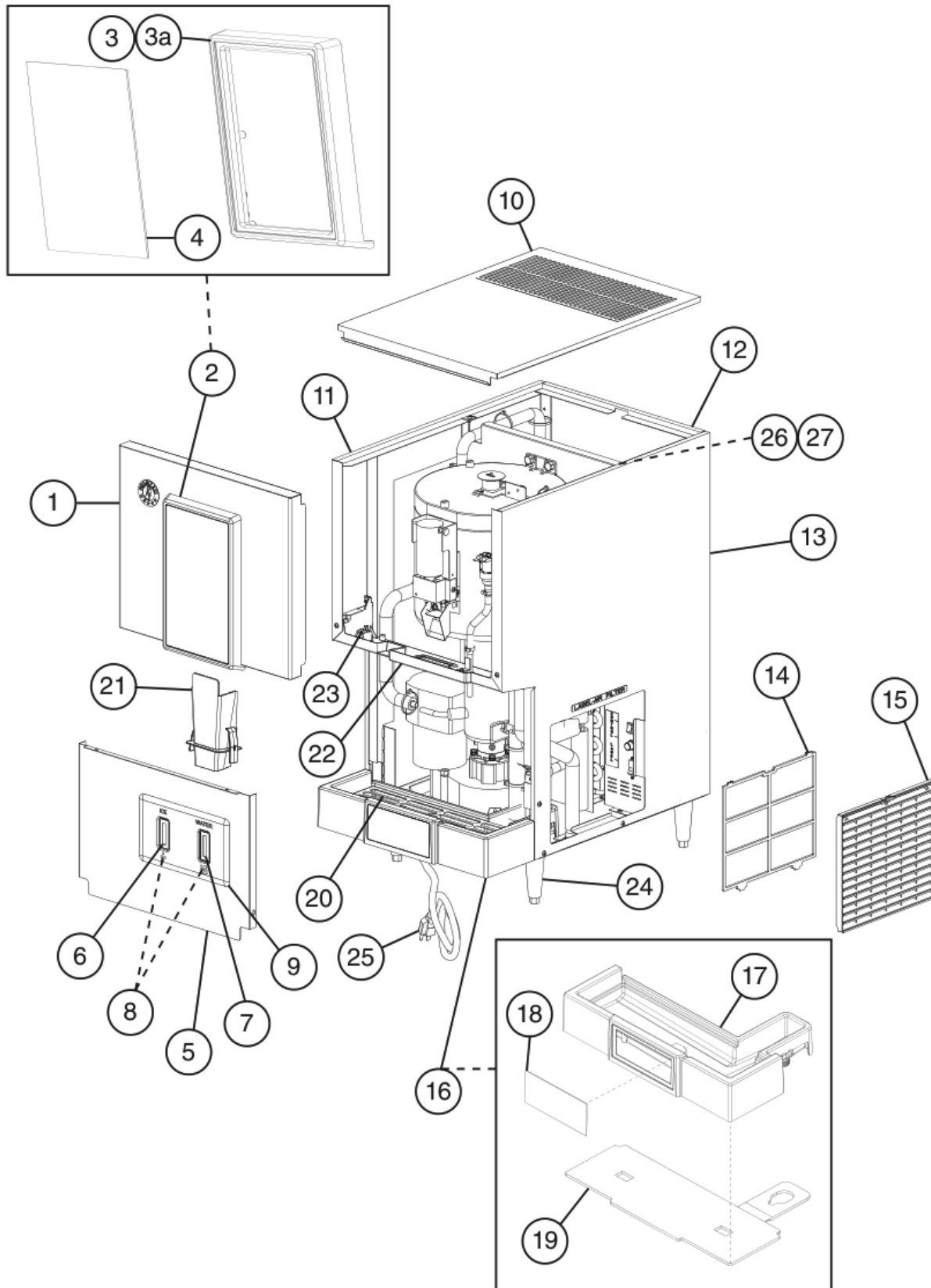
Most assemblies cannot be ordered as complete units; parts in the assemblies generally must be ordered separately.

A. Main Assembly
DCM-271BAK
P-0, Q-0



Title: A. Main Assembly Model: DCM-271BAK										
Index No.	Description	Material or Model Number	Part Number	P-0 Q-0	Required Number					
1	Front Panel Assembly (includes item 2)		2B0800A01	1						
2	Upper Front Frame Assembly (includes items 3 through 6a)		2A9208A01	1						
3	Display Board		2A9885-02	2						
4	Wire Harness (A)		1A5791-01	1						
5	Upper Front Panel		2A9209-01	1						
5a	Truss Head Screw		7C32-0408	6						
6	Upper Front Panel (B)		2A9210-01	1						
7	Apron Panel		3B0147-01	1						
8	Top Panel		2A2916-01	1						
9	Left Side Panel		2A8592-01	1						
10	Rear Panel		2A4716-01	1						
11	Right Side Panel Assembly (includes items 12 and 13)		1A7253A01	1						
12	Air Filter		208840G03	1						
13	Louver		103344-07	1						
14	Drain Pan Assembly (includes 1 of item 3 and items 15 through 20)		2A9212A01	1						
15	Wire Harness (B)		1A5792-01	1						
16	Push Button Panel		2A9211-01	1						
17	Drain Pan Bracket		3B0322-01	1						
18	Drain Pan		4A6614-01	1						
18a	Truss Head Screw		7C12-0308	2						
19	Drain Pan Insulation		4A6622-01	1						
20	Grille		4A6764-01	1						
21	Spout		4A6693-01	1						
22	Middle Front Frame		2A9207-01	1						
23	Power Switch		421490-01	1						
24	Leg		4A2145-01	4						
25	Power Supply Cord		4A5718-01	1						
26	Control Transformer		4A0557-01	1						
27	Control Transformer Cover		4A7421-01	1						

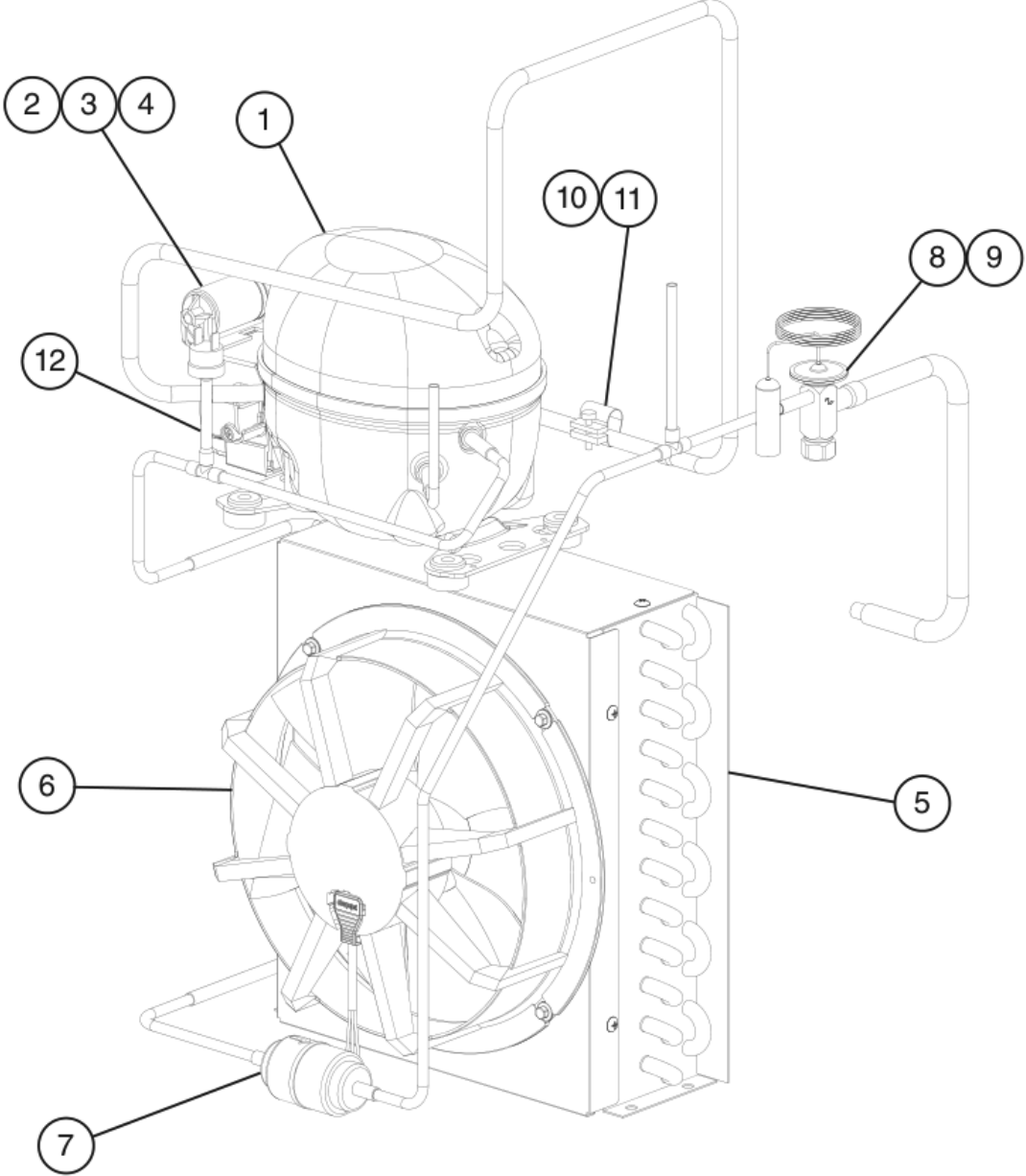
A. Main Assembly
DCM-271BAK-OS
Q-0



Title: A. Main Assembly Model: DCM-271BAK-OS											
Index No.	Description	Material or Model Number	Part Number	Q-0	Required Number						
1	Front Panel Assembly (includes item 2)		2B0800A02	1							
2	Upper Front Frame Assembly (includes items 3 and 4)		2A9208A02	1							
3	Upper Front Panel		2A9209-01	1							
3a	Truss Head Screw		7C32-0408	6							
4	Upper Front Panel (B)		2B0455G02	1							
5	Apron Panel Assembly (includes items 6 through 9)		1A5716A01	1							
6	Ice Sensor Assembly		4A7246A01	1							
7	Water Sensor Assembly		4A7246A02	1							
8	Sensor Lock		4A6670-01	2							
9	Sensor Assembly Holder		4A6607-01	1							
10	Top Panel		2A2916-01	1							
11	Left Side Panel		2A8592-01	1							
12	Rear Panel		2A4716-01	1							
13	Right Side Panel Assembly (includes items 14 and 15)		1A7253A02	1							
14	Air Filter		208840G03	1							
15	Louver		103344-07	1							
16	Drain Pan Assembly (includes items 17 through 19)		2A9212A02	1							
17	Drain Pan		4A6614-01	1							
18	Blank Panel		2B0456G02	1							
19	Drain Pan Insulation		4A6622-01	1							
20	Grille		4A6764-01	1							
21	Spout		4A6693-01	1							
22	Middle Front Frame		2A9207-02	1							
23	Power Switch		421490-01	1							
24	Leg		4A2145-01	4							
25	Power Supply Cord		4A5718-01	1							
26	Control Transformer		4A0557-01	1							
27	Control Transformer Cover		4A7421-01	1							

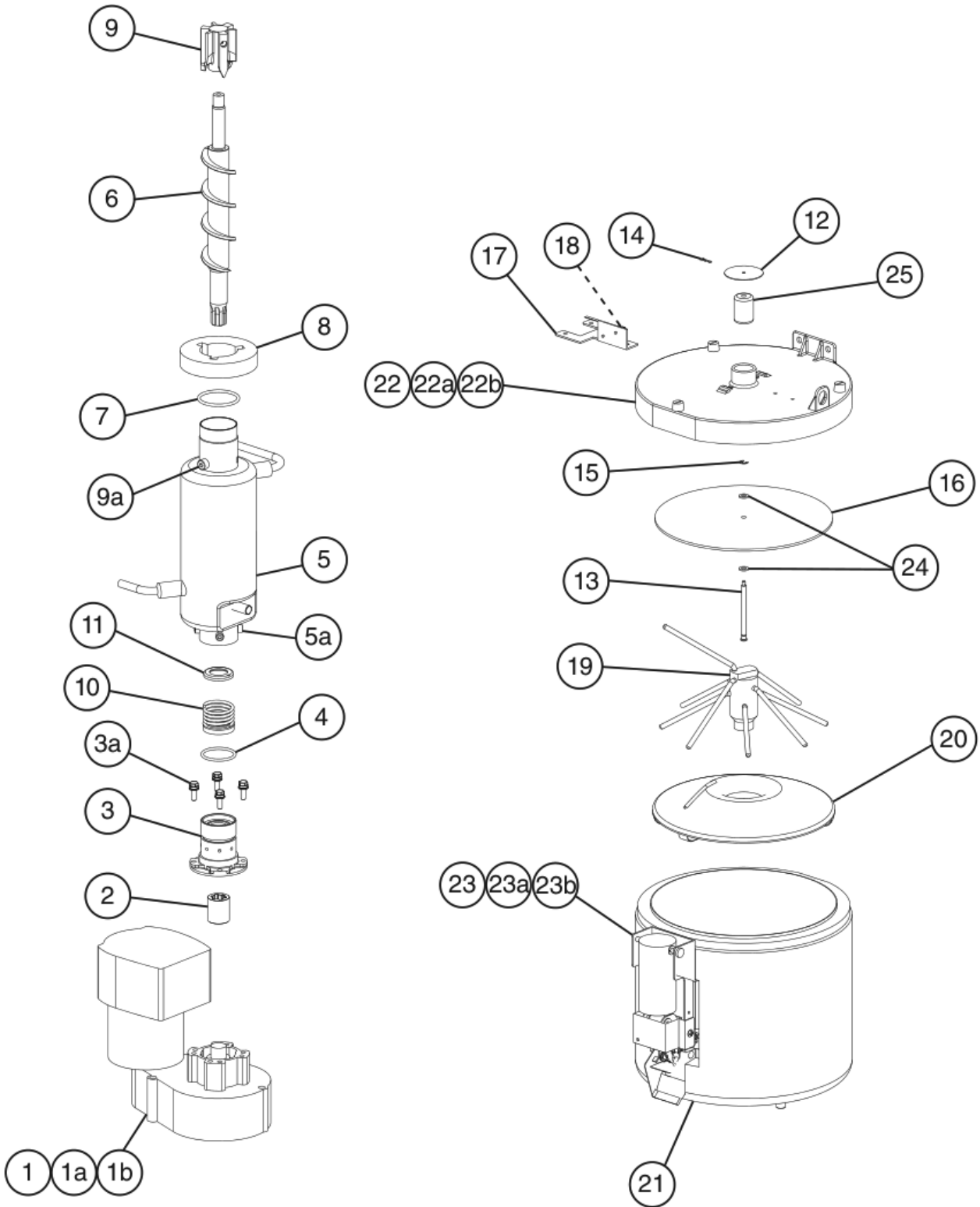
B. Refrigeration Circuit
DCM-271BAK(-OS)

P-0, Q-0



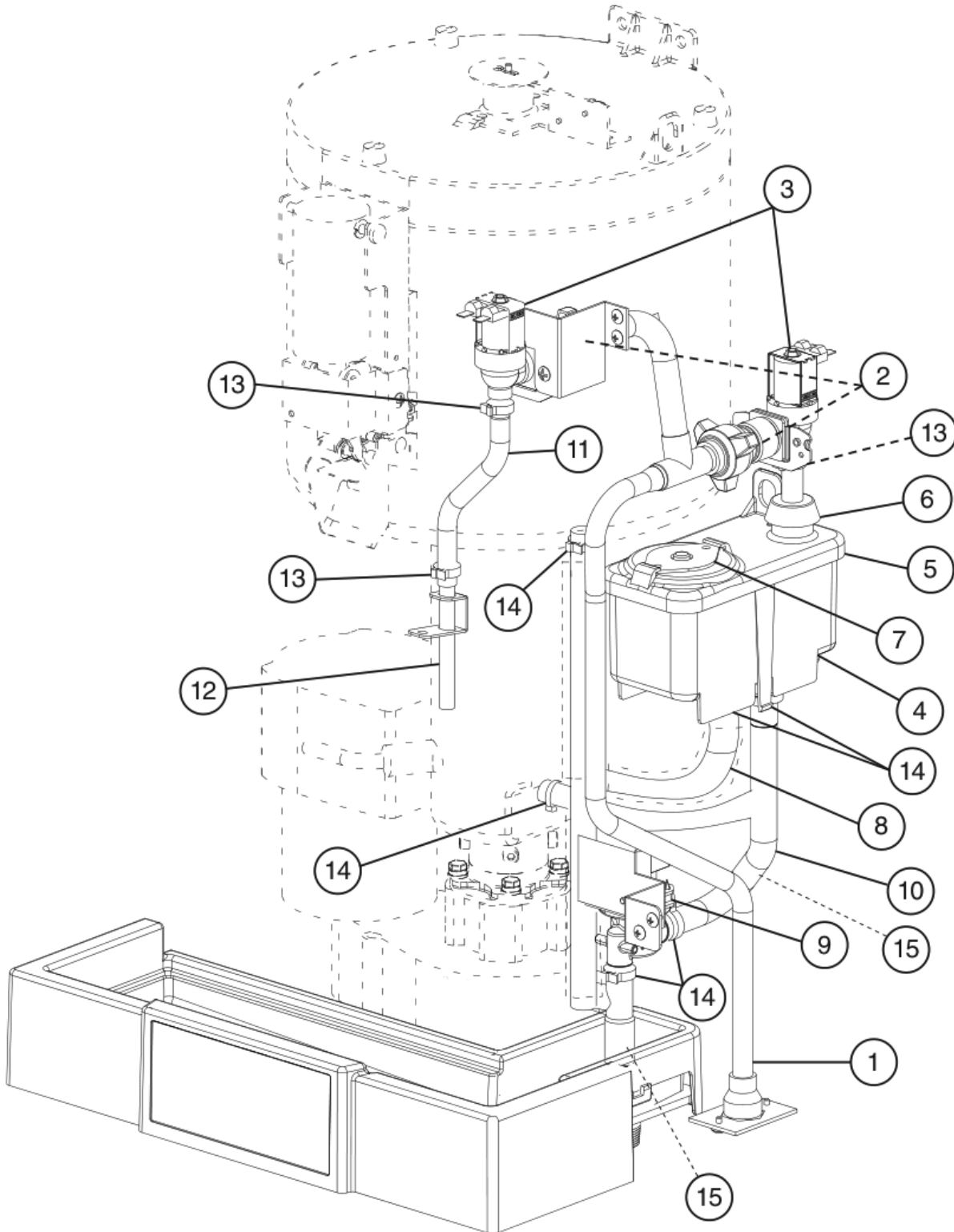
Title: B. Refrigeration Circuit Model: DCM-271BAK(-OS)											
Index No.	Description	Material or Model Number	Part Number	P-0 Q-0	Required Number						
1	Compressor		4A7385-01	1							
2	External Protector		4A7438-02	1							
3	Start Relay		4A7405-01	1							
4	Start Capacitor		4A7404-01	1							
5	Condenser		2A0780-01	1							
6	Fan Motor Assembly (includes fan blade)		4A6650-02	1							
7	Drier		4A1113-01	1							
8	Thermostatic Expansion Valve		4A7388-01	1							
9	Thermostatic Expansion Valve Cover		4A7233-01	1							
10	Clamp		443461-01	1							
11	Holder		4A7659-01	1							
12	High-Pressure Switch		4A6039-02	1							

C. Icemaking Unit
DCM-271BAK(-OS)
 P-0, Q-0



Title: C. Icemaking Unit Model: DCM-271BAK(-OS)											
Index No.	Description	Material or Model Number	Part Number	P-0 Q-0	Required Number						
1	Gear Motor		4A5855-01	1							
1a	Split Lock Washer		7L22-0800	3							
1b	Socket Hex Head Screw		7S12-0895	3							
2	Spline Coupling		418316-01	1							
3	Housing		383613G01	1							
3a	Housing Screw	6x20	458660-01	4							
4	O-Ring		7618-G040	1							
5	Evaporator		332576G01	1							
5a	Socket Head Cap Screw	6x10,SS	P01718-01	4							
6	Auger		269910G01	1							
7	O-Ring		7618-P048	1							
8	Evaporator Casing Cover		471716P01	1							
9	Extruding Head		287849G02	1							
9a	Seal Bolt		P01768-02	3							
10	Mechanical Seal		432491-03	1							
11	Ring		432494-01	1							
12	Small Balance Plate		465782-01	1							
13	Shaft		465781-01	1							
14	Snap Pin		715S-0004	1							
15	E-Ring		721S-0005	1							
16	Large Balance Plate		417473-02	1							
17	Microswitch Bracket		465783-01	1							
18	Microswitch		461294-01	1							
19	Agitator Assembly		348969G01	1							
20	Drip Ring		207754-03	1							
21	Storage Bin		253636G01	1							
22	Storage Bin Top Cover		341039G02	1							
22a	Thumbscrew		430825G01	3							
22b	Thumbscrew		415949G08	2							
23	Shutter Assembly		121220A02	1							
23a	Flat Washer		7W22-0300	2							
23b	Nut		7N12-0300	4							
24	Flat Washer		FWPL03S0	2							
25	Sleeve		465784-01	1							

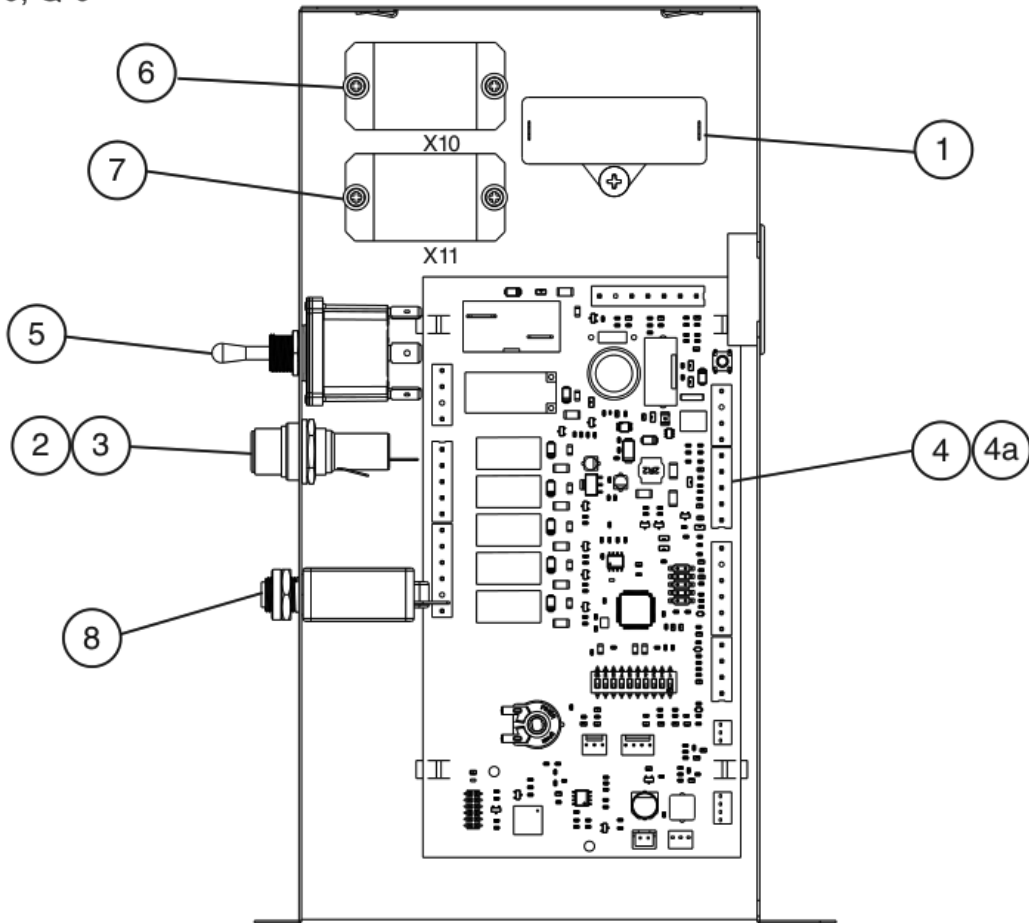
D. Water Circuit
DCM-271BAK(-OS)
P-0, Q-0



Model Shown: DCM-271BAK-OS

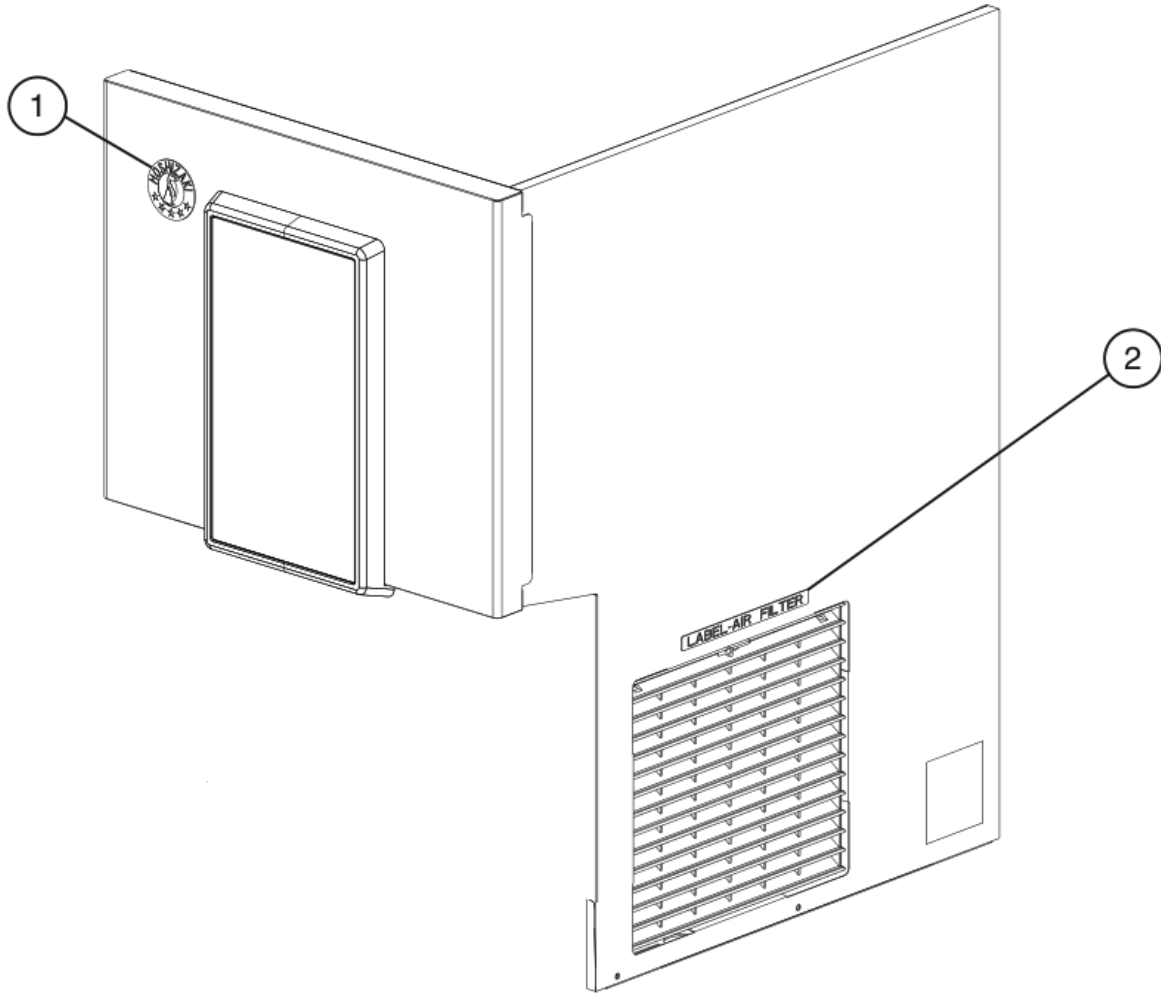
Title: D. Water Circuit Model: DCM-271BAK(-OS)												
Index No.	Description	Material or Model Number	Part Number	Required Number								
				P-0	Q-0							
1	Water Pipe		1A5726G01	1								
2	Rubber Washer		413854-03	2								
3	Inlet Water Valve/Dispense Water Valve		4A5309-02	2								
4	Reservoir		2A6586-01	1								
5	Reservoir Cover		3A6698-01	1								
6	Reservoir Inlet		4A0869-01	1								
7	Float Switch		435490-01	1								
8	Reservoir Hose		4A6611-01	1								
9	Drain Valve		4A2772-01	1								
10	Drain Valve Inlet Hose (molded for reservoir and bin drain)		4A6608-01	1								
11	Water Dispense Hose	20 in. (510 mm)	7730-0912	1								
12	Water Dispense Tube Assembly	DCM-271BAK	4A6724G01	1								
		DCM-271BAK-OS	4A6655G01	1								
13	Hose Clamp	12-14 mm	4A2017-04	3								
14	Hose Clamp	15-17 mm	4A2017-07	4								
15	Spring		435825-01	2								

E. Control Box Assembly
DCM-271BAK(-OS)
P-0, Q-0



Title: E. Control Box Assembly Model: DCM-271BAK(-OS)					Required Number								
index no.	Description	Material or Model Number	Part Number	P-0									
				Q-0									
1	Gear motor Capacitor	10MFD 250VAC	4A6435-01	1									
2	Fuse Holder		4A5443-01	1									
3	Fuse	AGC-1A, 250VAC	4A0893-01	1									
4	Control Board		2A9874-03	1									
4a	Control Board Support		4A0336-03	4									
5	Control Switch		4A7449-01	1									
6	Compressor Control Relay (X10)	120VAC	4A7047-03	1									
7	Dispense Relay (X11)	120VAC	4A7047-03	1									
8	Gear Motor External Protector	2A 250VAC	4A7448-01	1									
9	Wire Harness (not shown)		1A7653-01	1									

F. Accessories & Labels
DCM-271BAK(-OS)
P-0, Q-0



Title: F. Accessories & Labels Model: DCM-271BAK(-OS)										
Index No.	Description	Material or Model Number	Part Number	Required Number						
				P-0	Q-0					
1	Penguin Label		475552L02	1						
2	Air Filter Label		426177-01	1						