



HOSHIZAKI

Parts List

Cubelet Icemaker/Dispenser

Models

DCM-300BAK(-OS)



hoshizakiamerica.com

Number: 71450
Issued: 9-12-2025

CONTENTS

Auxiliary Codes.....	3
Note About Ordering Parts	4
A. Main Assembly	5
B. Apron Panel Assembly.....	8
C. Refrigeration Circuit.....	9
D. Icemaking Unit.....	11
E. Water Circuit	13
F. Control Box Assembly	15
G. Shutter Assembly	17
H. Dispensing & Agitating Assemblies	18
I. Bin Assembly	19
J. Bin Top Assembly	20
K. Accessories & Labels	21

Auxiliary Codes

DCM-300BAK

P-0 November 2025

Q-0 September 2025

DCM-300BAK-OS

Q-0 September 2025

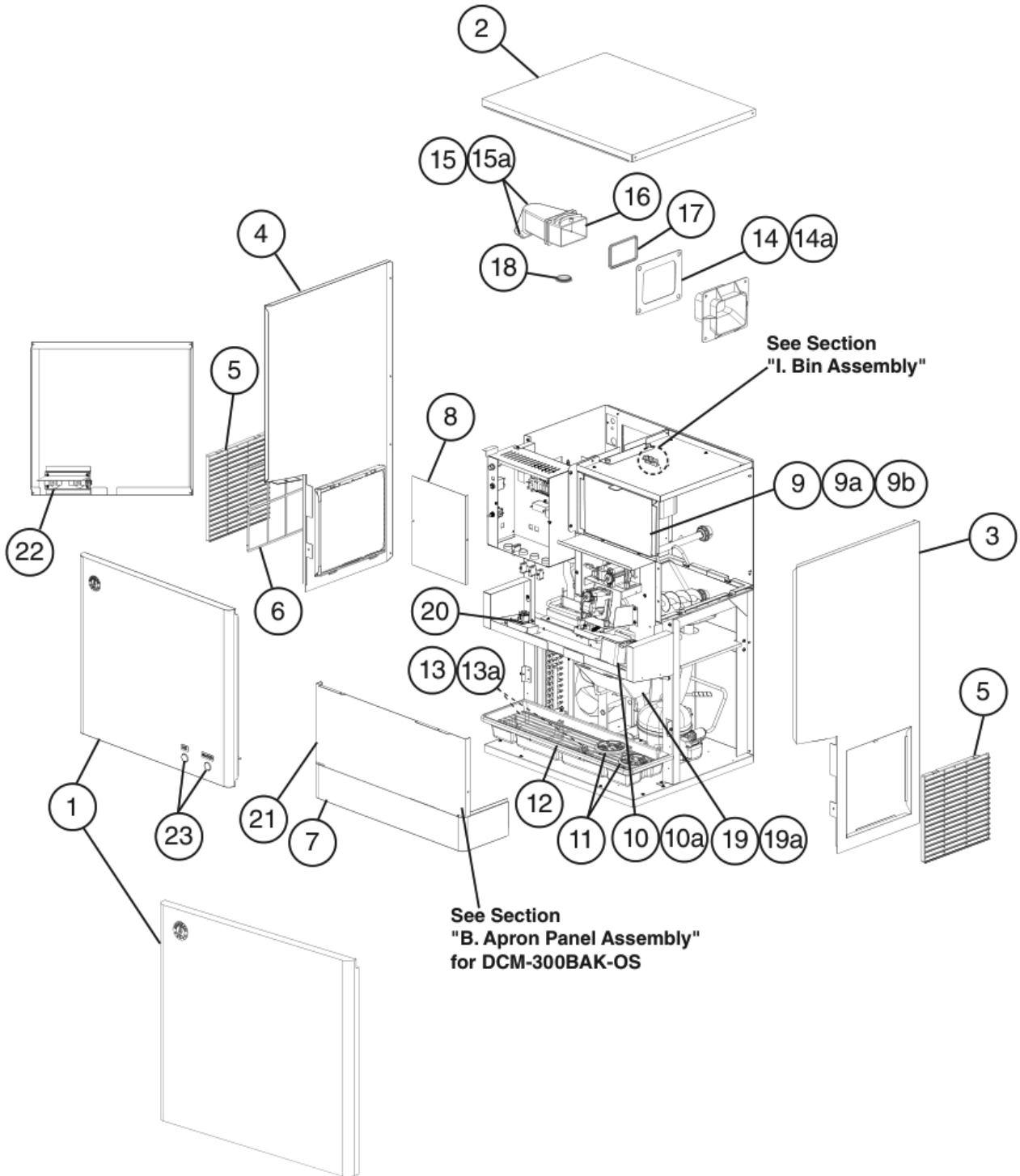
Auxiliary Code Breakdown

The auxiliary code is the first two characters in the serial number. The first character indicates the year. Years progress or regress in alphabetical order. The series runs from "A" through "V" and the letters "I" and "O" are skipped. The second character indicates significant part changes within a year. Base is "0" and this number advances for each change. In cases where there is a letter in parentheses, this designates the month. This is the last character in the serial number. The series runs from "(A)" through "(M)" and the letter "(I)" is skipped. This designation is only included when identifying a parts change within an auxiliary code.

Note About Ordering Parts

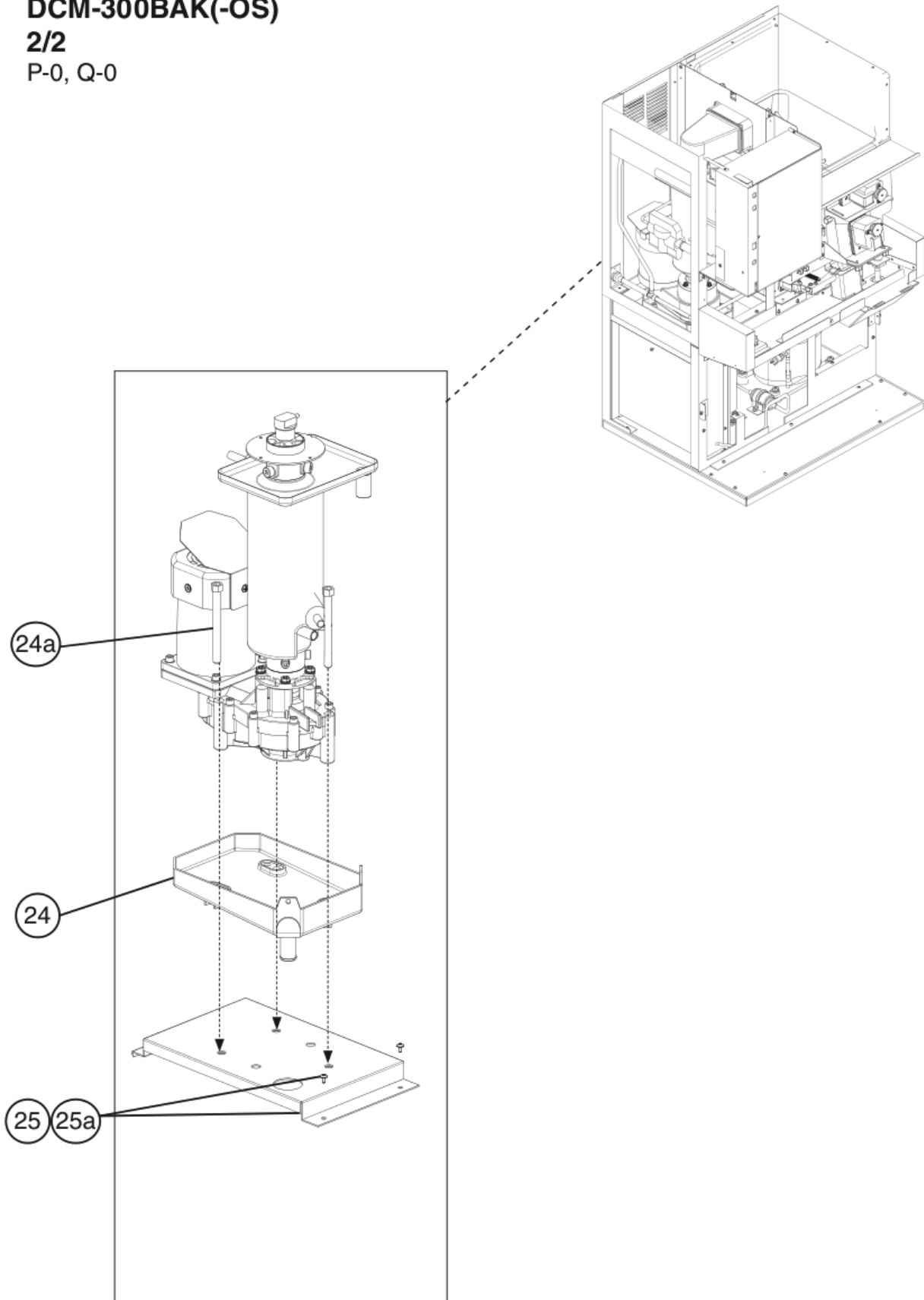
Most assemblies cannot be ordered as complete units; parts in the assemblies generally must be ordered separately.

A. Main Assembly
DCM-300BAK(-OS)
 1/2
 P-0, Q-0



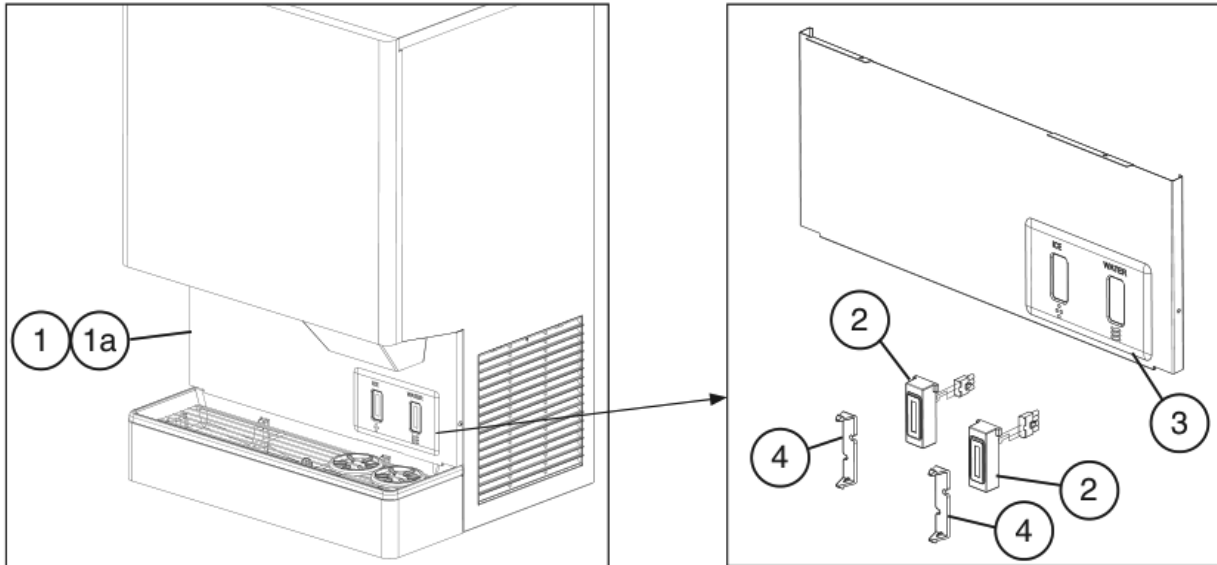
DCM-300BAK-OS

A. Main Assembly
DCM-300BAK(-OS)
2/2
P-0, Q-0



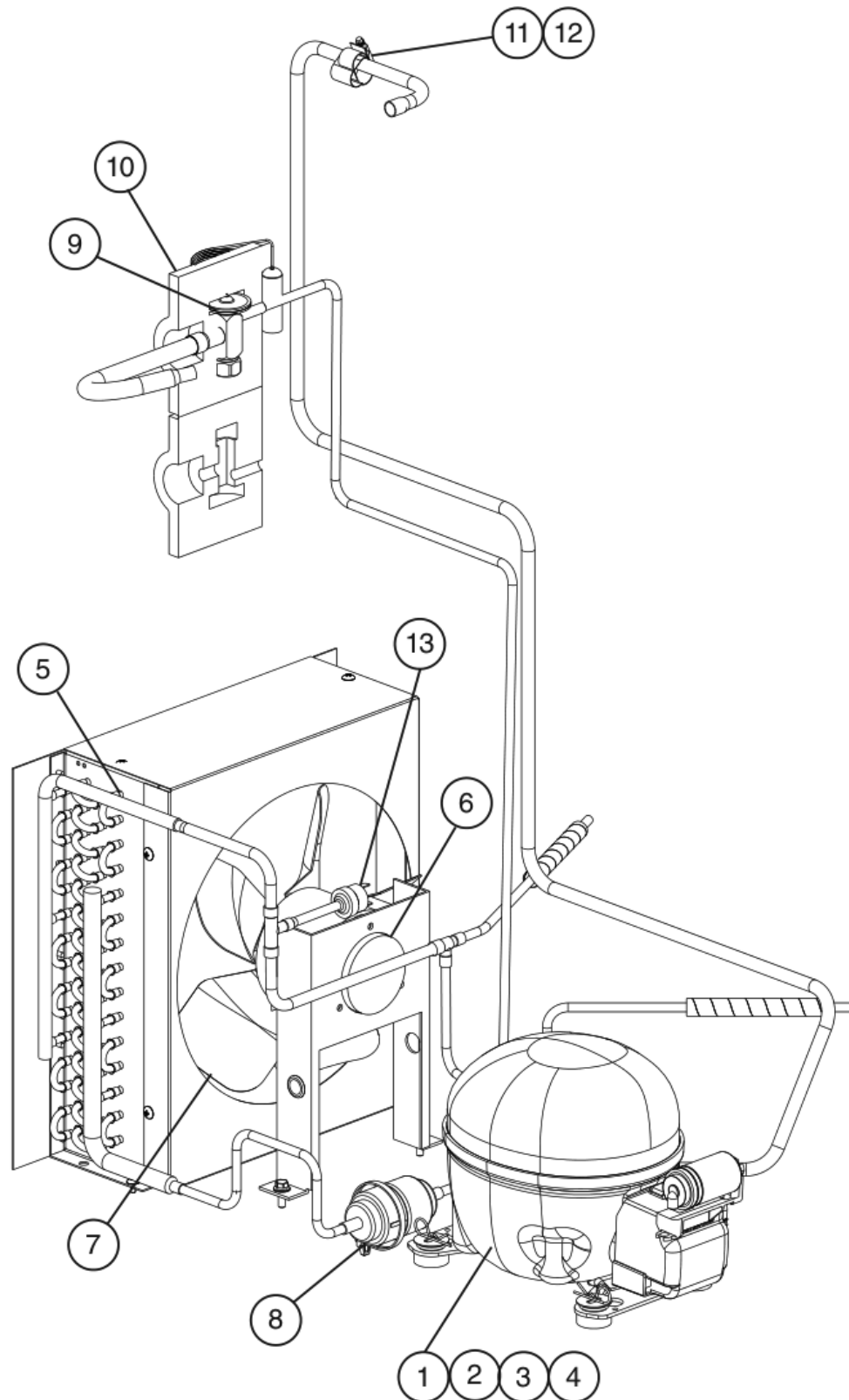
Title: A. Main Assembly Model: DCM-300BAK(-OS)												
Index No.	Description	Material or Model Number	Part Number	Required Number								
				P-0	Q-0							
1	Front Panel Assembly	DCM-300BAK	2A7951-01	1								
		DCM-300BAK-OS	2A7951-02	1								
2	Top Panel		3A2514G01	1								
3	Right Side Panel		2A6143-02	1								
4	Left Side Panel		2A6144-01	1								
5	Louver		103121-03	2								
6	Air Filter		208283G03	1								
7	Middle Panel (Lo)		2A0699G01	1								
8	Control Box Cover		4A5054-01	1								
9	Bin Cover		2A0880A02	1								
9a	Thumbscrew		415949G12	4								
9b	Bin Cover Gasket		318984G01	1								
10	Ice Chute		4A2204-01	1								
10a	Thumbscrew		415949G08	2								
11	Cup Guide		326702-01	2								
12	Grille		2A0827G01	1								
13	Drip Tray		2A2591G01	1								
13a	Drip Tray Screen		4A7560-01	1								
14	Spout B		208807-01	1								
14a	Thumbscrew		415949G11	4								
15	Spout		3A6554-01	1								
15a	Thumbscrew		415949G11	3								
16	Packing (A) Spout		427195-01	1								
17	Packing (B) Spout		427196-01	1								
18	Packing		427151-01	1								
19	Spout Cover		215773-01	1								
19a	Thumbscrew		415949G08	2								
20	Control Switch		4A7449-01	1								
21	Apron Panel (See section "F. Apron panel Assembly)	DCM-300BAK	2A0720-01	1								
		DCM-300BAK-OS	1A8126A01	1								
22	Push Switch Assembly (includes item 23)	DCM-300BAK	3A4997A01	1								
23	Push Switch	DCM-300BAK	435745-02	2								
24	Drain Pan		323765G01	1								
24a	Screw		7S12-0895	3								
25	Drain Pan Bracket		2A6536G01	1								
25a	FT Screw	4x8	7F32-0408	2								

B. Apron Panel Assembly
DCM-300BAK-OS
 Q-0



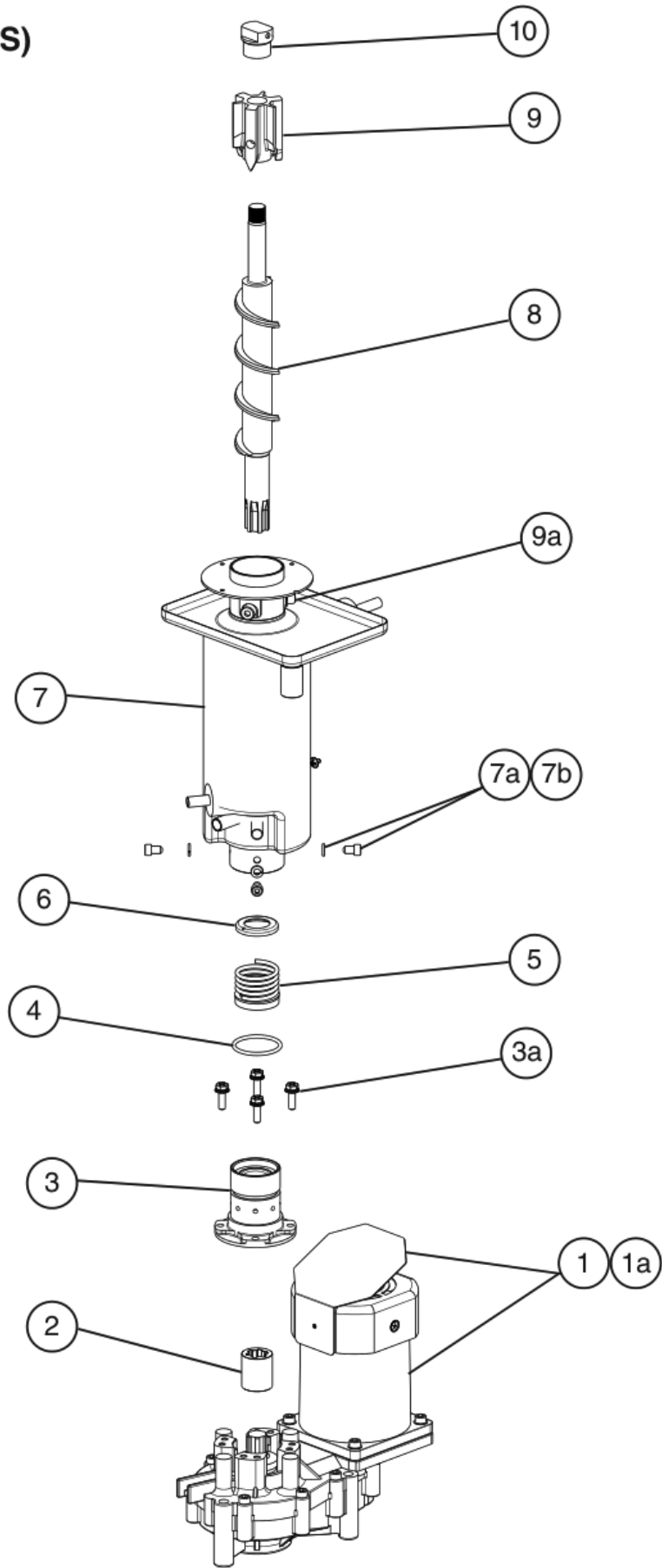
Title: B. Apron Panel Assembly Model: DCM-300BAK-OS															
Index No.	Description	Material or Model Number	Part Number	Required Number											
				Q-0											
1	Apron Panel Assembly (includes items 1a through 4)		3B1899A01	1											
1a	Apron Panel		2B0989-01	1											
2	Sensor Assembly	Ice	4A7246A01	1											
		Water	4A7246A02	1											
3	Optical Sensor Holder		4A6607-01	1											
4	Sensor Latch		4A6670-01	2											

C. Refrigeration Circuit
DCM-300BAK(-OS)
P-0, Q-0



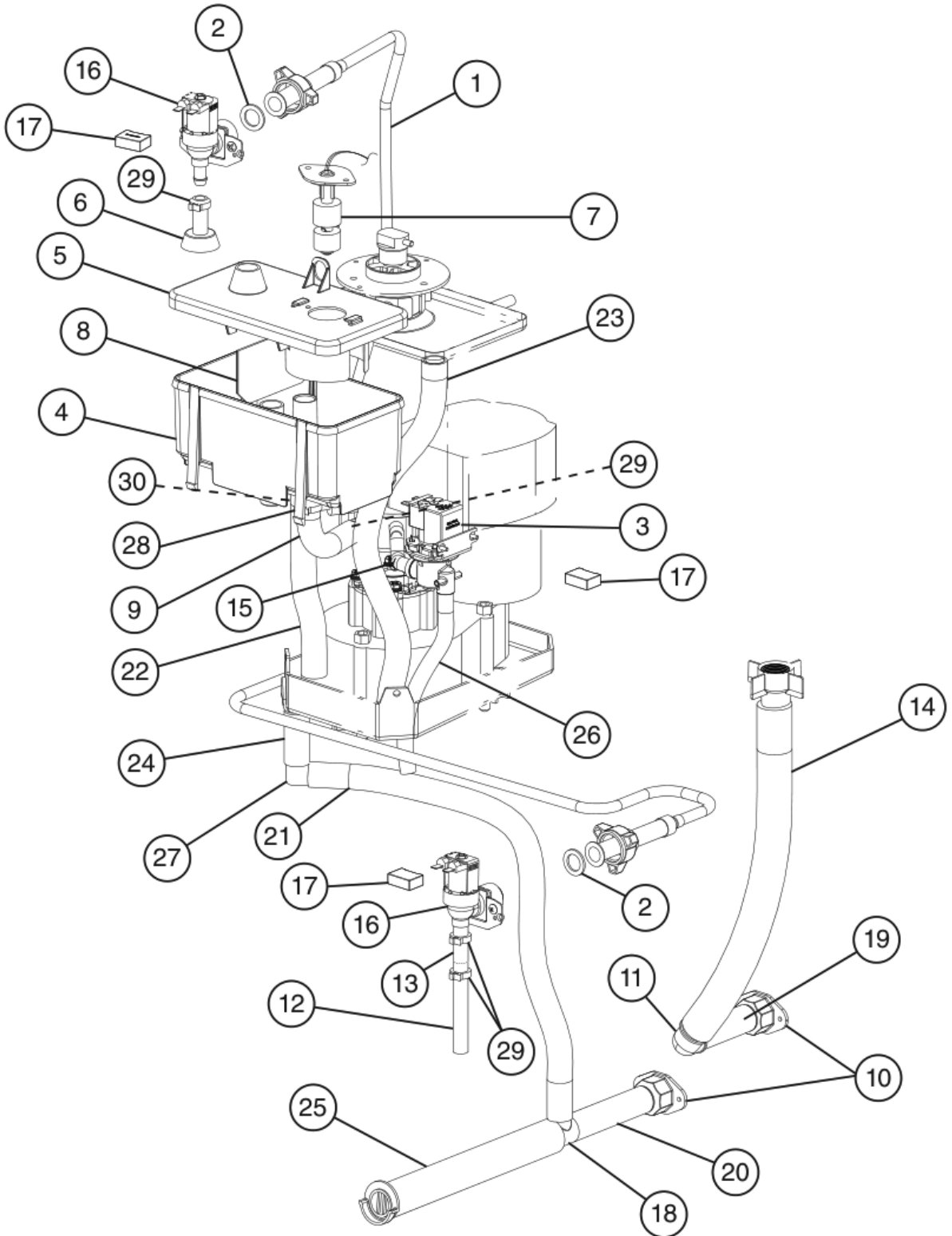
Title: C. Refrigeration Circuit Model: DCM-300BAK(-OS)												
Index No.	Description	Material or Model Number	Part Number	P-0 Q-0	Required Number							
1	Compressor		4A7346-03	1								
2	Start Relay		4A7405-01	1								
3	External Protector		4A7438-03	1								
4	Start Capacitor		4A7404-01	1								
5	Condenser (Air)		2B1009-01	1								
6	Fan Motor		4A0815-01	1								
7	Fan Blade		3A0608-01	1								
8	Drier		4A1113-01	1								
9	Thermostatic Expansion Valve		4A7388-02	1								
10	Thermostatic Expansion Valve Cover		4A7233-01	1								
11	Thermostatic Expansion Valve Bulb Holder		4A7659-01	1								
12	Clamp		443461-01	1								
13	High-Pressure Switch		4A6039-02	1								

D. Icemaking Unit
DCM-300BAK(-OS)
P-0, Q-0



Title: D. Icemaking Unit Model: DCM-300BAK(-OS)												
Index No.	Description	Material or Model Number	Part Number	Required Number								
				P-0	Q-0							
1	Gear Motor	SP-5699	4A5855-01	1								
1a	Barrier		3B1297-01	1								
2	Spline Coupling		418316-01	1								
3	Housing		383613G01	1								
3a	Hex Bolt	6x20, SS	4A1989-01	4								
4	O-Ring		4A4755-01	1								
5	Mechanical Seal		432491-03	1								
6	Ring		432494-01	1								
7	Evaporator	SP-5732	2A3308G02	1								
7a	Socket Head Cap Screw		4A7498-01	4								
7b	Split Lock Washer		7L22-0600	4								
8	Auger		269909G01	1								
9	Extruding Head		287849G03	1								
9a	Seal Bolt	M8	P01768-02	3								
9b	Flange		464843-01	1								
10	Cutter		439228G01	1								

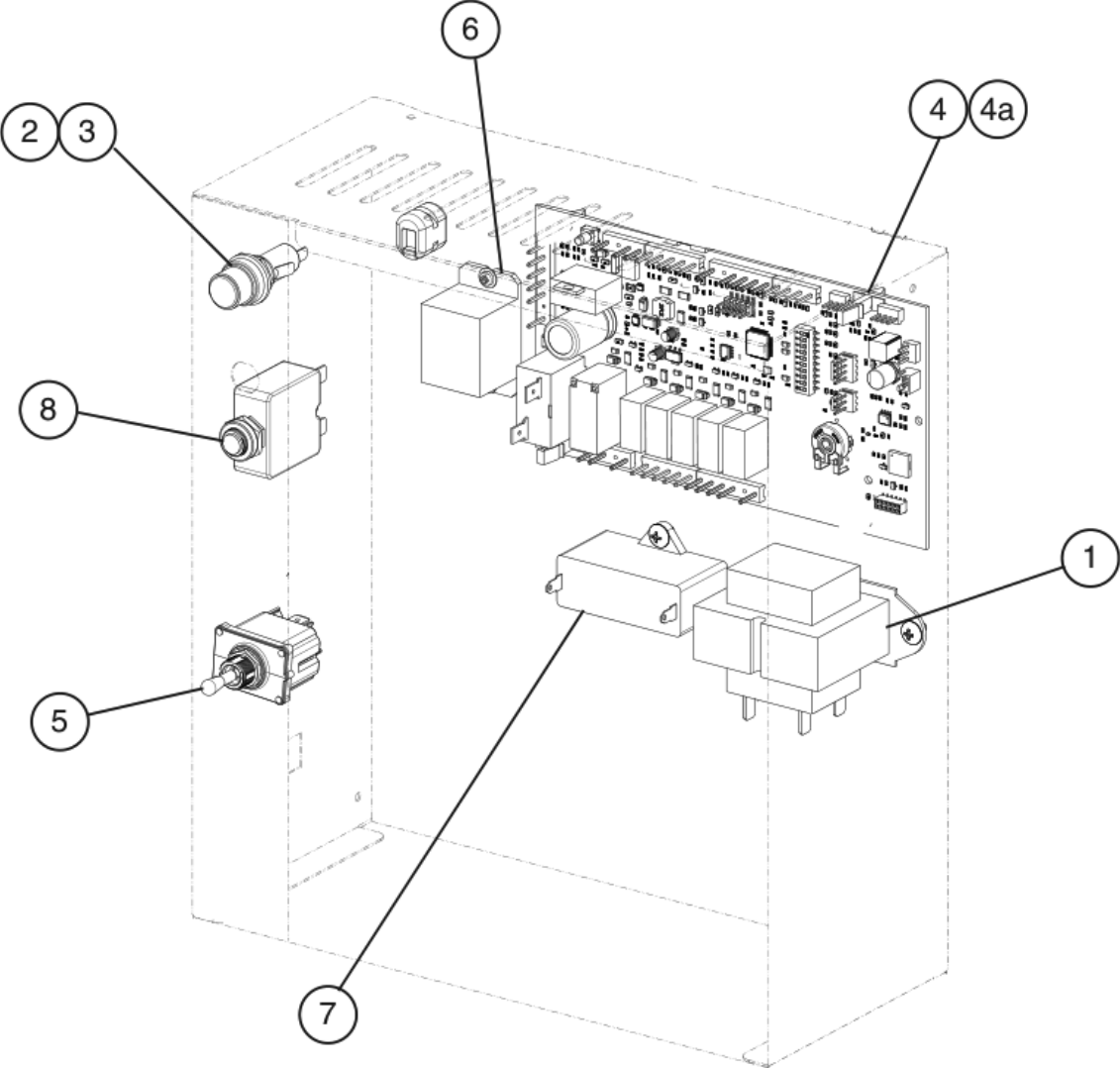
E. Water Circuit
DCM-300BAK(-OS)
P-0, Q-0



Title: E. Water Circuit Model: DCM-300BAK(-OS)

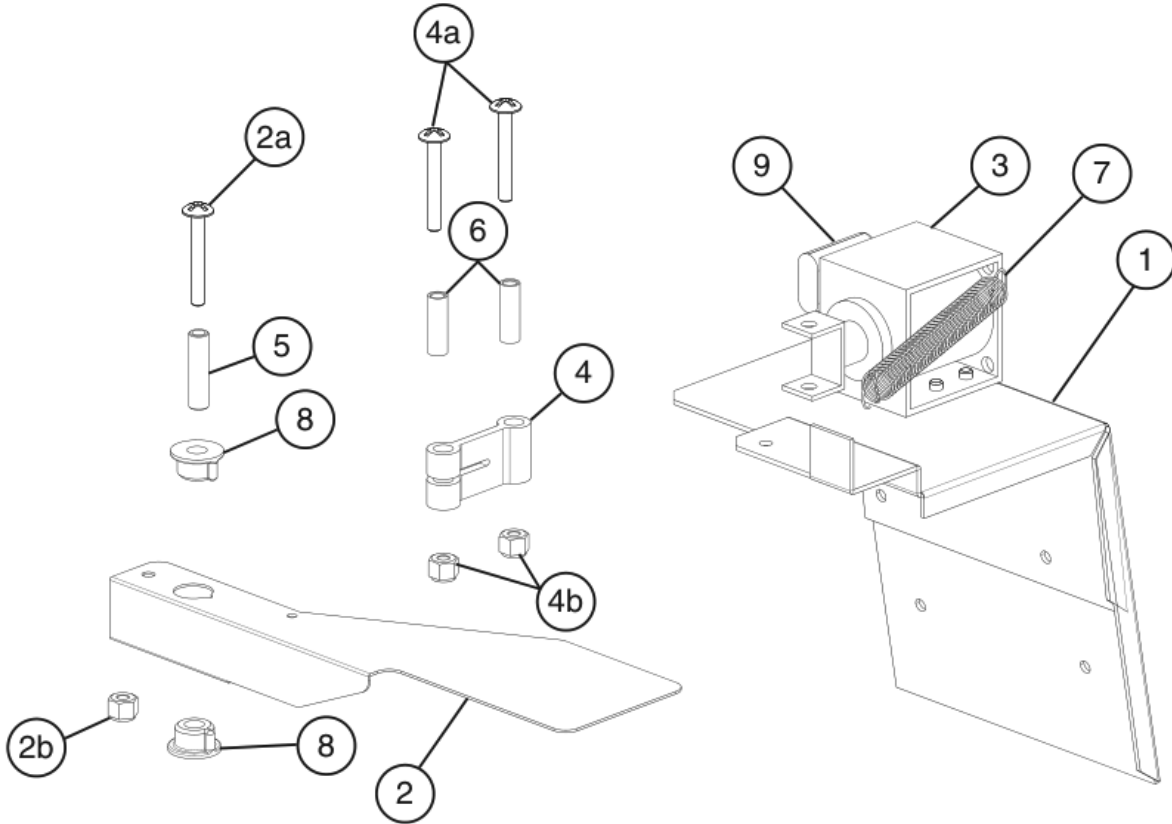
Index No.	Description	Material or Model Number	Part Number	Required Number																
				P-0	Q-0															
1	Water Supply Pipe		2A7569G01	1																
2	Washer		413854-03	2																
3	Drain Valve		4A2772-01	1																
4	Reservoir		2A0753-01	1																
5	Reservoir Cover		214810-01	1																
6	Reservoir Inlet		4A0869-01	1																
7	Float Switch		435490-01	1																
8	Reservoir Separator		4A1255-01	1																
9	Reservoir Hose		4A1165-12	1																
10	Drain Fitting		4A5527-01	2																
11	Elbow		4A1016-01	1																
12	Water Tube		4A3218-01	1																
13	Silicone Hose	L=60 mm	7730-0912	1																
14	Vinyl Hose	L=345 mm	4A0658L01	1																
15	Silicone Hose	L=70 mm	7730I3896	1																
16	Inlet/Dispense Water Valve		4A5309-01	2																
17	R-C Capacitor (Noise Killer)	0.2MFD, 250VAC	4A6495-01	3																
18	Tee		4A0525-04	1																
19	Vinyl Hose	L=60 mm	7716B2025	1																
20	Vinyl Hose	L=100 mm	7716B2025	1																
21	Vinyl Hose	L=500 mm	7725B1923	1																
22	Vinyl Hose	L=260 mm	7725B1923	1																
23	Vinyl Hose	L=400 mm	7725B1923	1																
24	Vinyl Hose	L=50 mm	7725B1923	1																
25	Vinyl Hose	L=225 mm	4A0658L01	1																
26	Silicone Hose	L=195 mm	7730I3896	1																
27	Elbow		4A1017-01	1																
Clamps																				
28	Hose Clamp		4A2017-05	1																
29	Hose Clamp		4A2017-08	3																
30	Hose Clamp		4A2017-09	1																

F. Control Box Assembly
DCM-300BAK(-OS)
P-0, Q-0



Title: F. Control Box Assembly Model: DCM-300BAK(-OS)												
Index No.	Description	Material or Model Number	Part Number	P-0 Q-0	Required Number							
1	Control Transformer		4A0557-01	1								
2	24VAC Circuit Fuse	AGC-1A, 250VAC	4A0893-01	1								
3	Fuse Holder		4A5443-01	1								
4	Control Board		2A9874-03	1								
4a	Control Board Support		4A0336-03	4								
5	Power Switch		4A7449-02	1								
6	Gear Motor Protect Relay/Compressor Control Relay (X10)	120VAC	4A7047-03	1								
7	Capacitor Run		4A6435-01	1								
8	Circuit Breaker		4A7448-01	1								

G. Shutter Assembly
DCM-300BAK(-OS)
P-0, Q-0

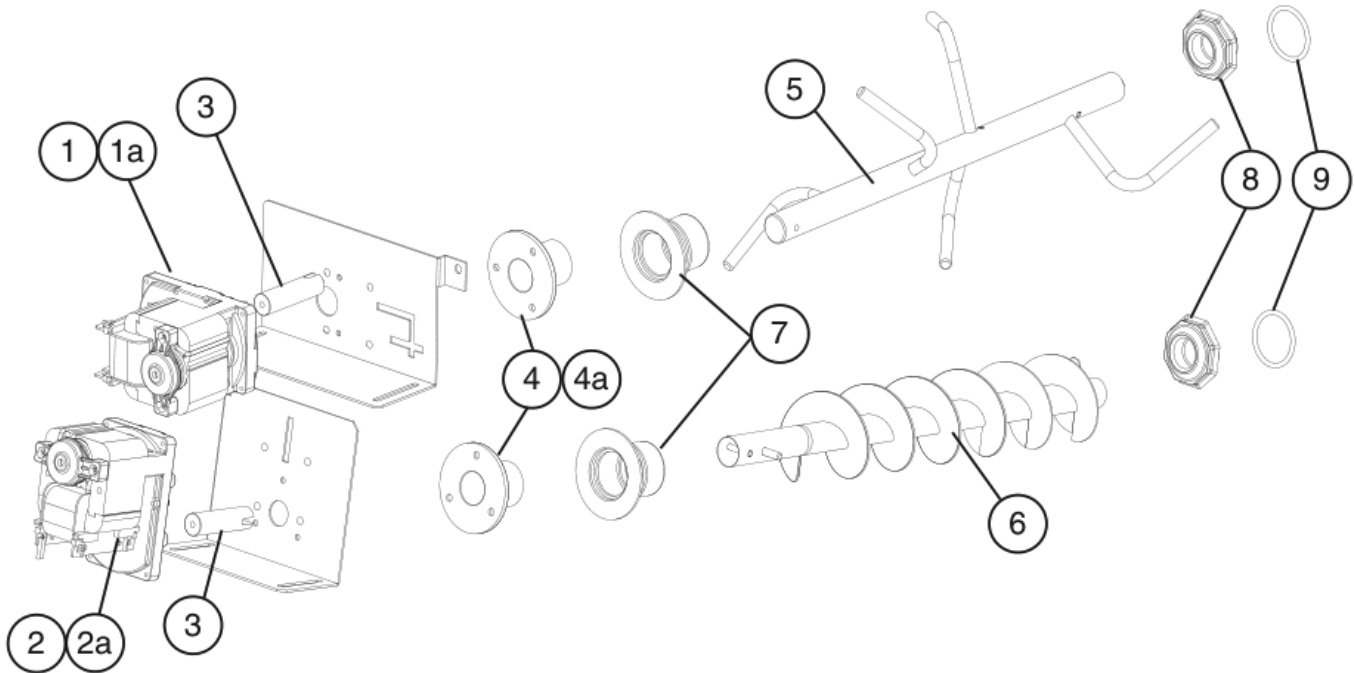


Title: G. Shutter Assembly Model: DCM-300BAK(-OS)					Required Number										
Index No.	Description	Material or Model Number	Part Number	P-0											
				Q-0											
1	Base		3B0803-01	1											
2	Lever		3A6139-01	1											
2a	Truss Head Screw	4x30, SS	7C32-0430	1											
2b	Self-Locking Nut	M4, SS	7N22-0400	1											
3	Solenoid		4A0856-01	1											
4	Link		432232-01	1											
4a	Truss Head Screw	4x30, SS	7C32-0430	2											
4b	Self-Locking Nut	M4, SS	7N22-0400	2											
5	Collar D		432471-01	2											
6	Collar E		432240-02	2											
7	Spring		432878-01	1											
8	Shutter Collar		435533-01	2											
9	R-C Capacitor (Noise Killer)	0.1MFD, 250VAC	4A6495-01	1											

H. Dispensing & Agitating Assemblies

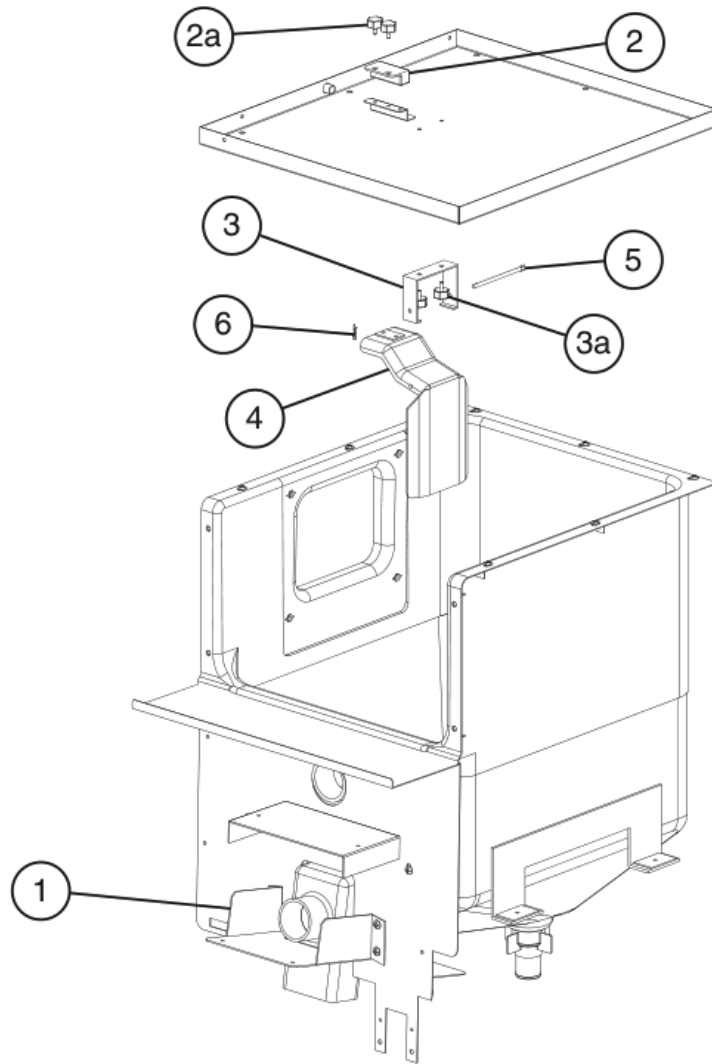
DCM-300BAK(-OS)

P-0, Q-0



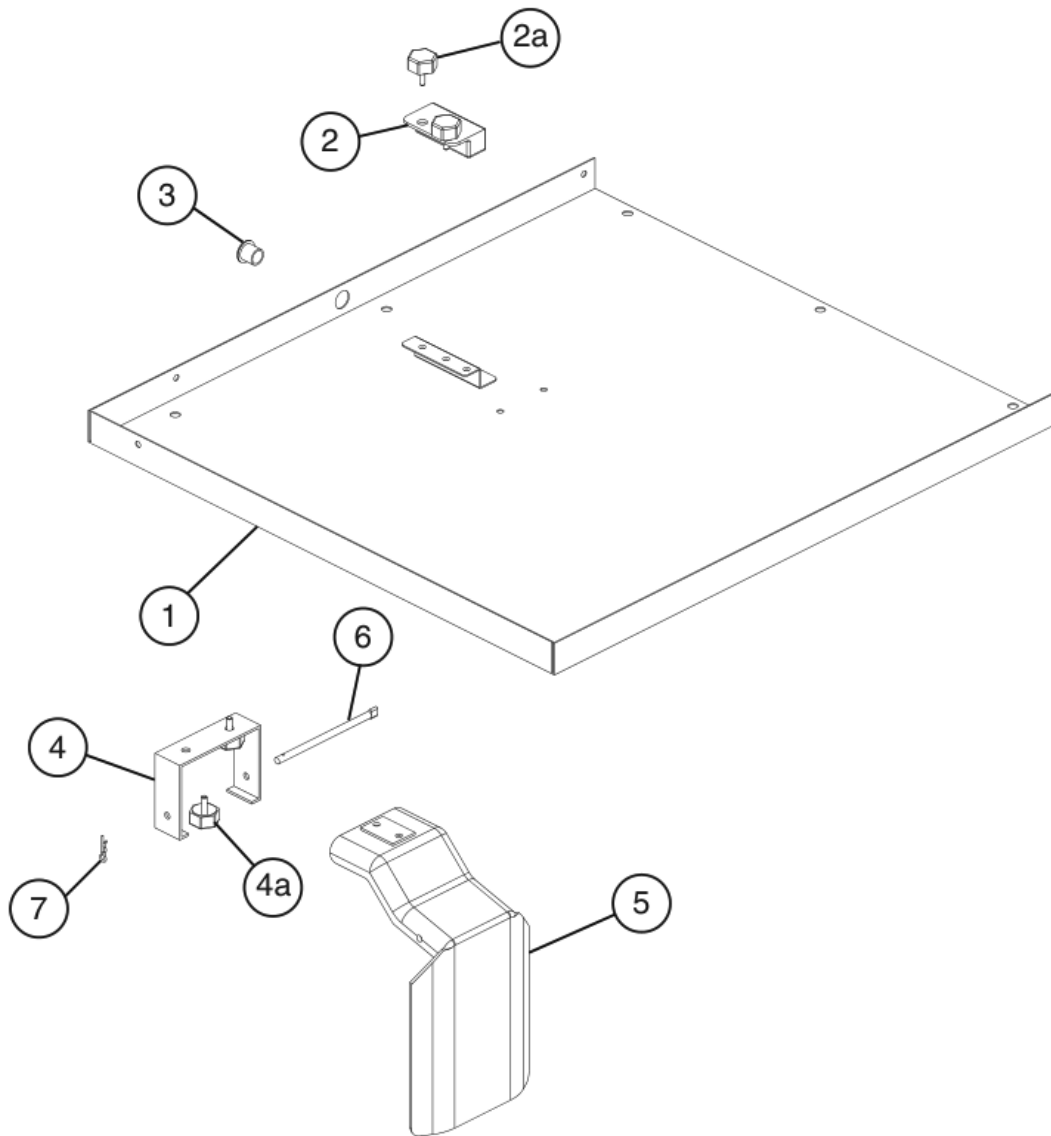
Title: H. Dispensing & Agitating Assemblies Model: DCM-300BAK(-OS)				Required Number								
Index No.	Description	Material or Model Number	Part Number	P-0								
				Q-0								
1	Agitating Gear Motor		3A6786-04	1								
1a	Flat Head Screw	4x8, SS	7C22-0408	4								
2	Dispensing Gear Motor		3A6786-05	1								
2a	Flat Head Screw	4x8, SS	7C22-0408	7								
3	Joint		429764-01	2								
4	Plastic Sleeve		429761-01	2								
4a	Flat Head Screw	4x8, SS	7C22-0408	6								
5	Agitator		3A0895G01	1								
6	Auger		339192G01	1								
7	Gasket		429758-01	2								
8	Shaft Holder		429818-01	2								
9	O-Ring		7616-P032	2								

I. Bin Assembly
DCM-300BAK(-OS)
P-0, Q-0



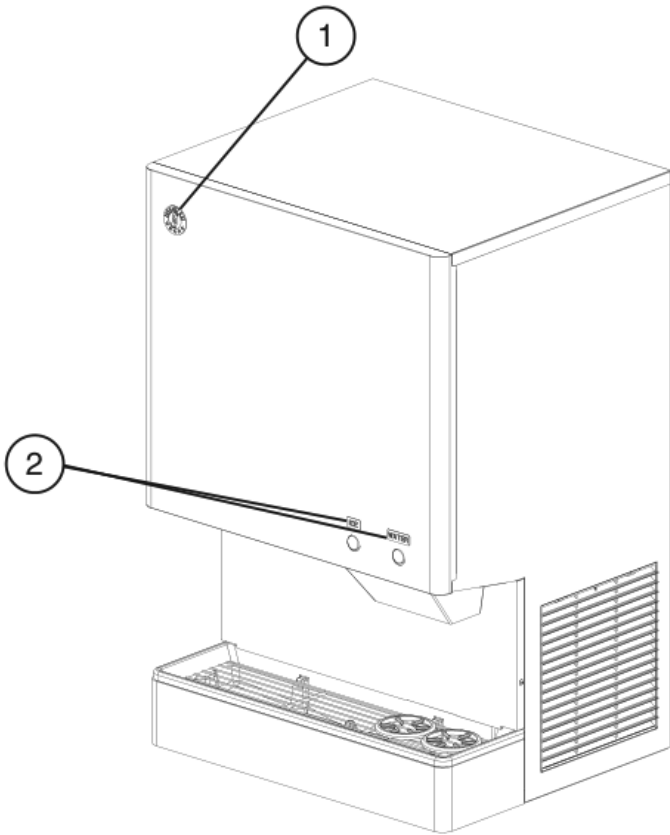
Title: I. Bin Assembly Model: DCM-300BAK(-OS)											
Index No.	Description	Material or Model Number	Part Number	Required Number							
				P-0	Q-0						
1	Sliding Bracket		3A0364-01	1							
2	Bin Control Proximity Switch		4A2033-01	1							
2a	Thumbscrew		415949G08	2							
3	Bin Control Bracket (Hinge)		3A0762-01	1							
3a	Thumbscrew		415949G08	2							
4	Actuator		208795G01	1							
5	Shaft		412337-03	1							
6	Snap Pin		715S-0004	1							

J. Bin Top Assembly
DCM-300BAK(-OS)
 P-0, Q-0

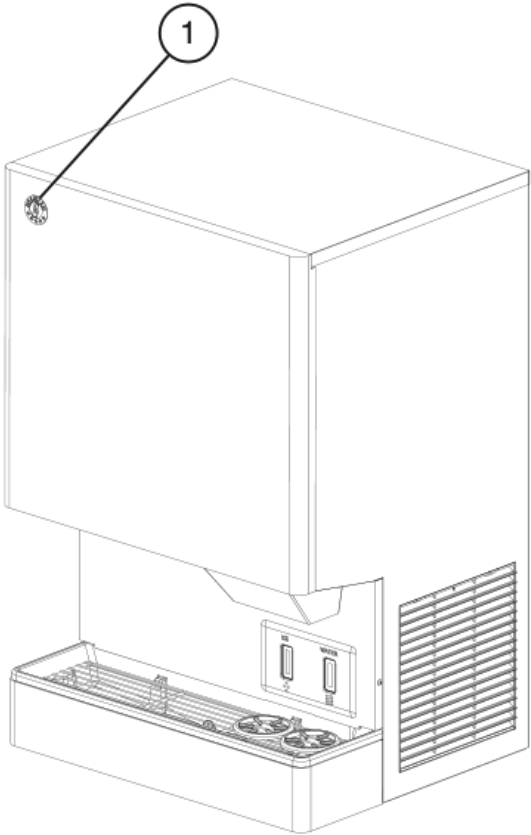


Title: J. Bin Top Assembly Model: DCM-300BAK(-OS)					Required Number					
Index No.	Description	Material or Model Number	Part Number	P-0 Q-0						
1	Bin Top Cover		2A1716G01	1						
2	Proximity Switch		4A2033-01	1						
2a	Thumbscrew		415949G08	2						
3	Bushing		420470-07	1						
4	Hinge		3A0762-01	1						
4a	Thumbscrew		415949G08	2						
5	Actuator		208795G01	1						
6	Shaft		412337-03	1						
7	Snap Pin		715S-0004	1						

K. Accessories & Labels
DCM-300BAK(-OS)
 P-0, Q-0



DCM-300BAK



DCM-300BAK-OS

Title: K. Accessories & Labels Model: DCM-300BAK(-OS)													
Index No.	Description	Material or Model Number	Part Number	Required Number									
				P-0	Q-0								
1	Penguin Label		475552L02	1									
2	Ice/Water Label	DCM-300BAK	4A2954-01	1									