



HOSHIZAKI

Parts Manual

Direct Draw Equipment

Models

DD24

DD59

DD69

DD80

DD95

DD24 S

DD59 S

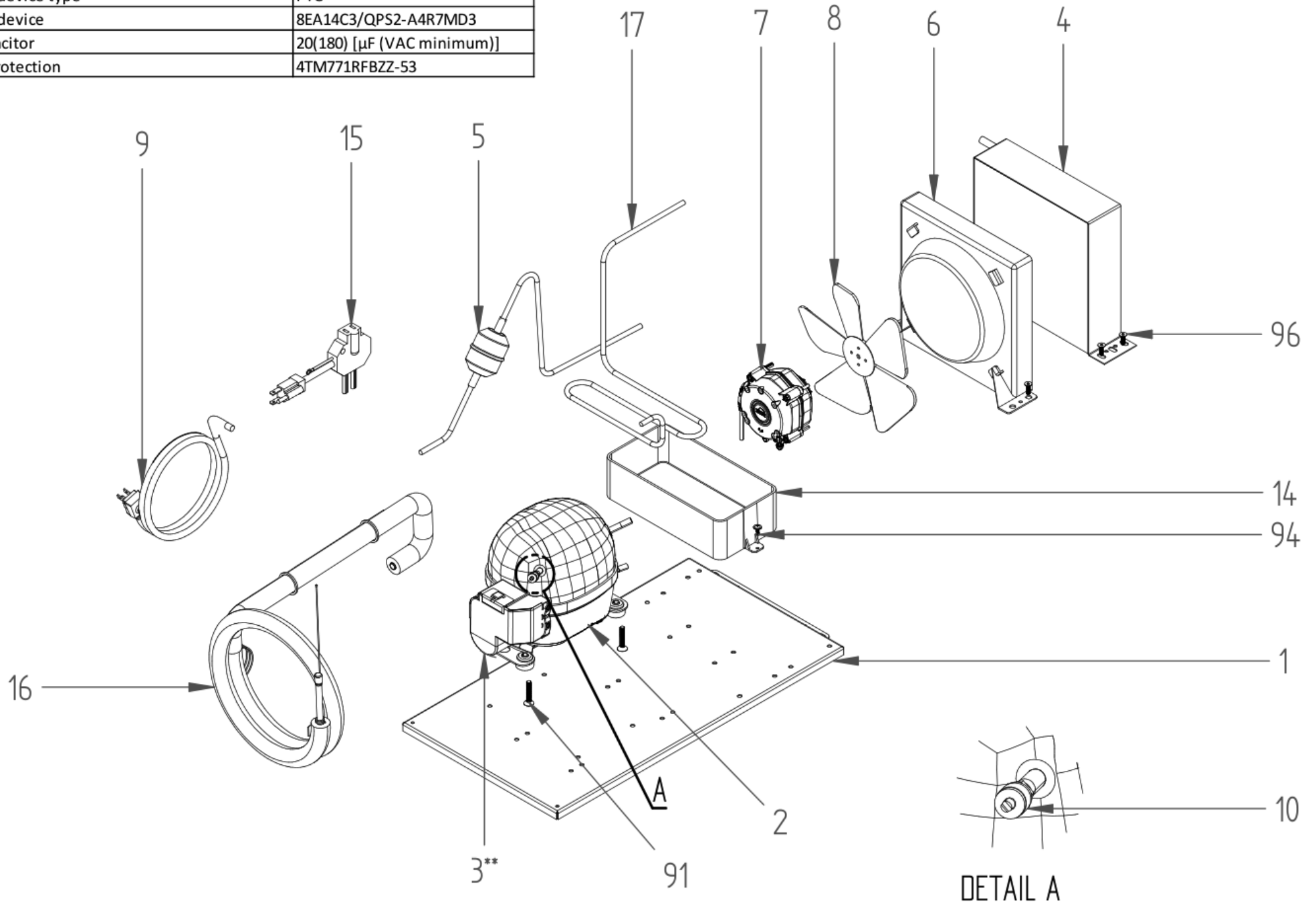
DD69 S

DD80 S

DD95 S

3** STAR KIT

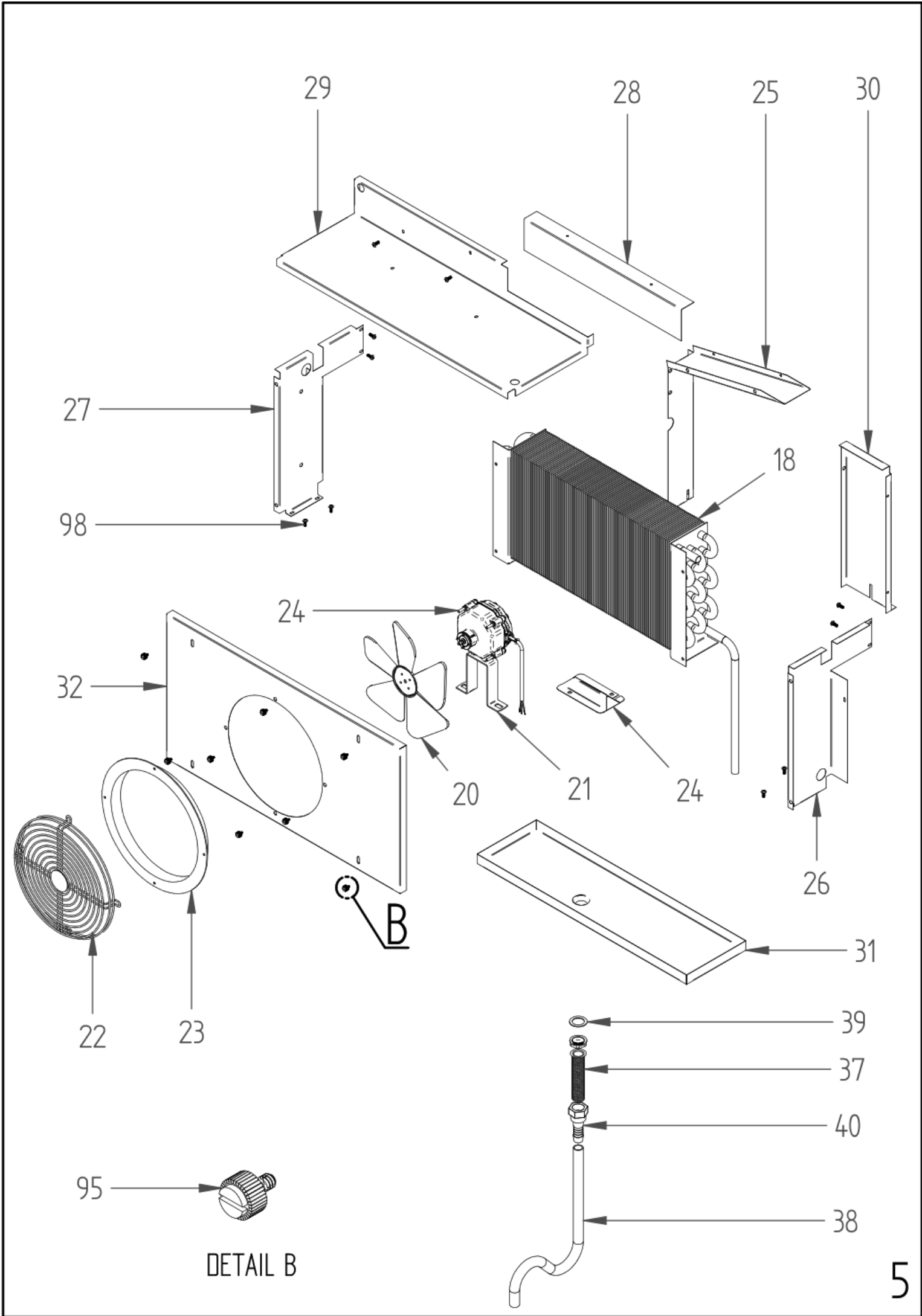
Compressor used in DD 59-95	EMC3130U (Part No. 12228006)
Nominal Voltage/Frequency/Number of Phases	115-127V 60Hz 1~ (Single phase)
Starting device type	PTC
Starting device	8EA14C3/QPS2-A4R7MD3
Run capacitor	20(180) [μ F (VAC minimum)]
Motor protection	4TM771RFBZZ-53



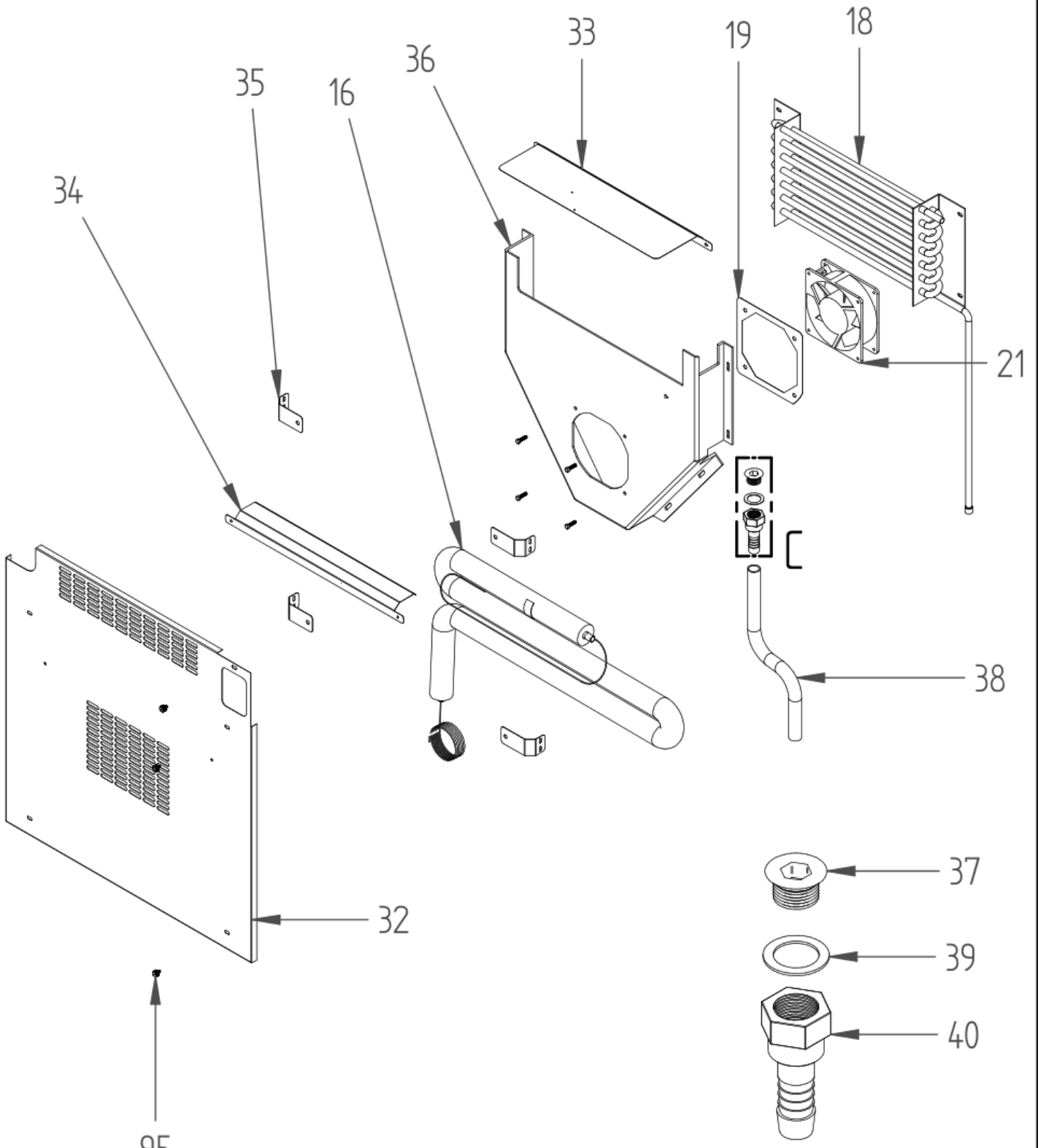
DETAIL A

ITEM	REFERENCE	DENOMINATION						S					RECOMENDED	ELIMINATED	INTRODUCED	NOTES
			DD 24	DD 59	DD 69	DD 80	DD 95	DD 24 S	DD 59 S	DD 69 S	DD 80 S	DD 95 S				

CONDENSING UNIT																	
		CONDENSING UNIT															
1	12206582	DECK	1					1									
	12195862	DECK		1	1	1	1		1	1	1	1					
2	12257496	COMPRESSOR	1					1						X			
	12257407	COMPRESSOR		1	1	1	1		1	1	1	1		X			
	*	START KIT	1					1									
3	**	START KIT		1	1	1	1		1	1	1	1					
4	12190813	CONDENSER	1					1									
	12190812	CONDENSER		1	1	1	1		1	1	1	1					
5	12188004	FILTER	1	1	1	1	1	1	1	1	1	1					
6	12189983	FAN SUPPORT	1	1	1	1	1	1	1	1	1	1					
7	12190510	FAN MOTOR	1	1	1	1	1	1	1	1	1	1		X			
8	12190510	FAN BLADE	1	1	1	1	1	1	1	1	1	1					
9	12190608	POWER CORD	1	1	1	1	1	1	1	1	1	1					
10	12037369	SCHRADER VALVE	1	1	1	1	1	1	1	1	1	1					
11	12195375	EVAPORATION TRAY BAR	1					1									
12	12195717	SUPPORT TRAY	1					1									
13	13002255	HEATSINK PAPER	1					1									
14	12189560	AUTOMATIC EVAPORATION TRAY		1	1	1	1		1	1	1	1					
15	12190610	POWER CORD(SPIDER HUB)	1	1	1	1	1	1	1	1	1	1					
	12247985	HEAT EXCHANGER	1					1									
16	12239998	HEAT EXCHANGER		1	1	1	1		1	1	1	1					
17	12200322	DISCHARGE LINE		1	1	1	1		1	1	1	1					



MODEL 24"



DETAIL C

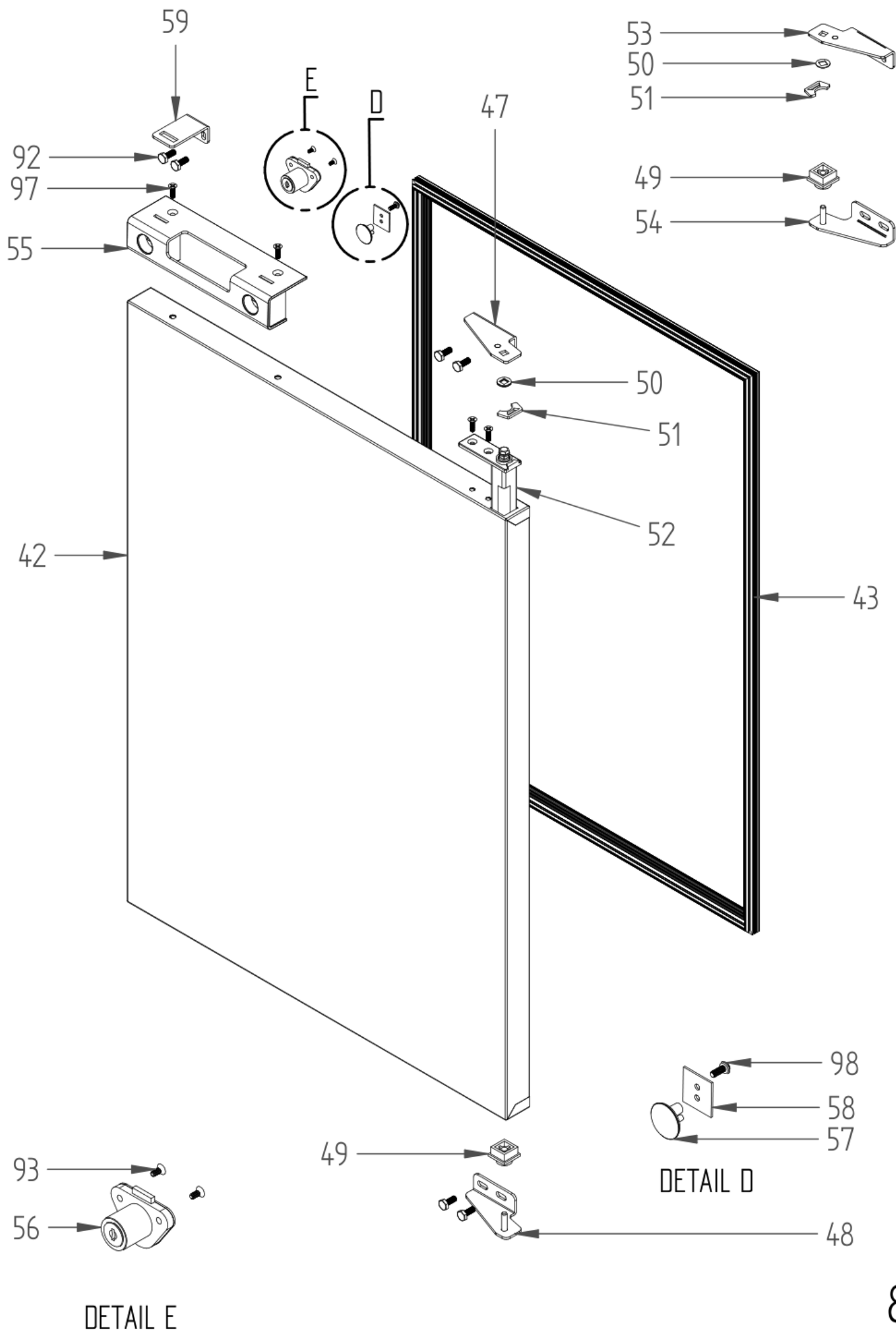
ITEM	REFERENCE	DENOMINATION						S					RECOMENDED	ELIMINATED	INTRODUCED	NOTES
			DD 24	DD 59	DD 69	DD 80	DD 95	DD 24 S	DD 59 S	DD 69 S	DD 80 S	DD 95 S				

EVAPORATION UNITS

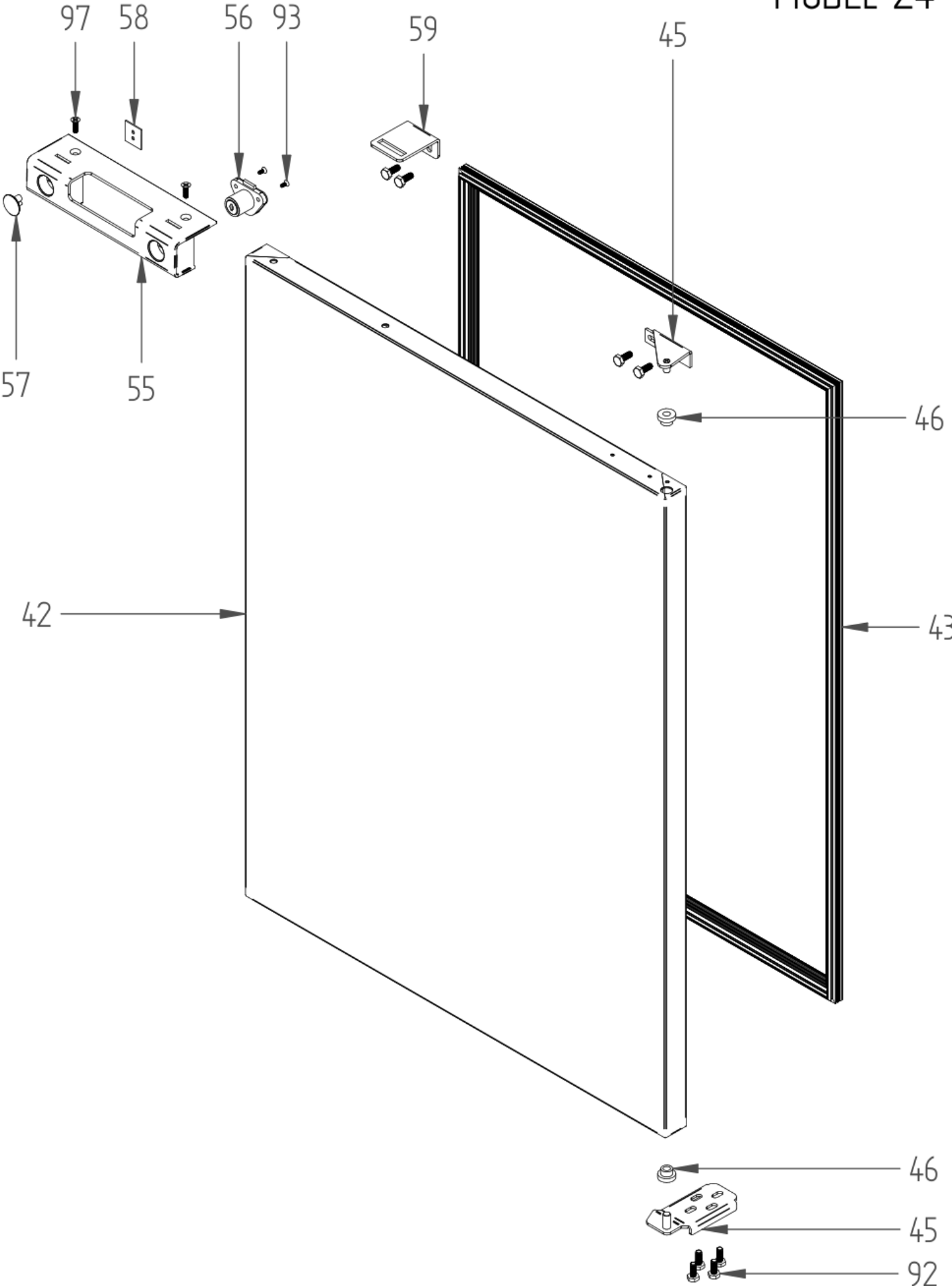
EVAPORATION UNIT																	
18	12190775	EVAPORATION COIL	1					1									
	12190777	EVAPORATION COIL		1	1	1	1		1	1	1	1					
19	12194105	FAN SUPPORT	1					1									
	12191294	FAN SUPPORT		1	1	1	1		1	1	1	1					
20	12190018	FAN BLADE	1	1	1	1	1	1	1	1	1	1					
21	12191476	FAN MOTOR	1					1						X			
	12190510	FAN MOTOR	1	1	1	1	1	1	1	1	1	1		X			
22	12190728	FAN GRILL		1	1	1	1		1	1	1	1					
23	12190068	FAN SHROUD		1	1	1	1		1	1	1	1					
24	12188080	PROBE NTC030HP00 CAREL	1	1	1	1	1	1	1	1	1	1		X			
25	12194245	ANGULAR DEFLECTOR		1	1	1	1		1	1	1	1					
26	12194246	RIGHT DEFLECTOR		1	1	1	1		1	1	1	1					
27	12194247	LEFT DEFLECTOR		1	1	1	1		1	1	1	1					
28	12194250	BACK DEFLECTOR		1	1	1	1		1	1	1	1					
29	12194249	TOP EVAPORATOR PANEL		1	1	1	1		1	1	1	1					
30	12194248	BACK SUPPORT		1	1	1	1		1	1	1	1					
31	12193839	EVAPORATION TRAY		1	1	1	1		1	1	1	1					
32	12206313	EVAPORATOR SHROUD		1	1	1	1		1	1	1	1					
	12194095	EVAPORATOR SHROUD	1					1									
33	12194096	EVAPORATOR DEFLECTOR	1					1									
34	12194097	FAN DEFLECTOR	1					1									
35	12194790	EVAPORATOR COVER BRACKET	4					4									
36	12190014	EVAPORATION TRAY	1					1									

DRAIN

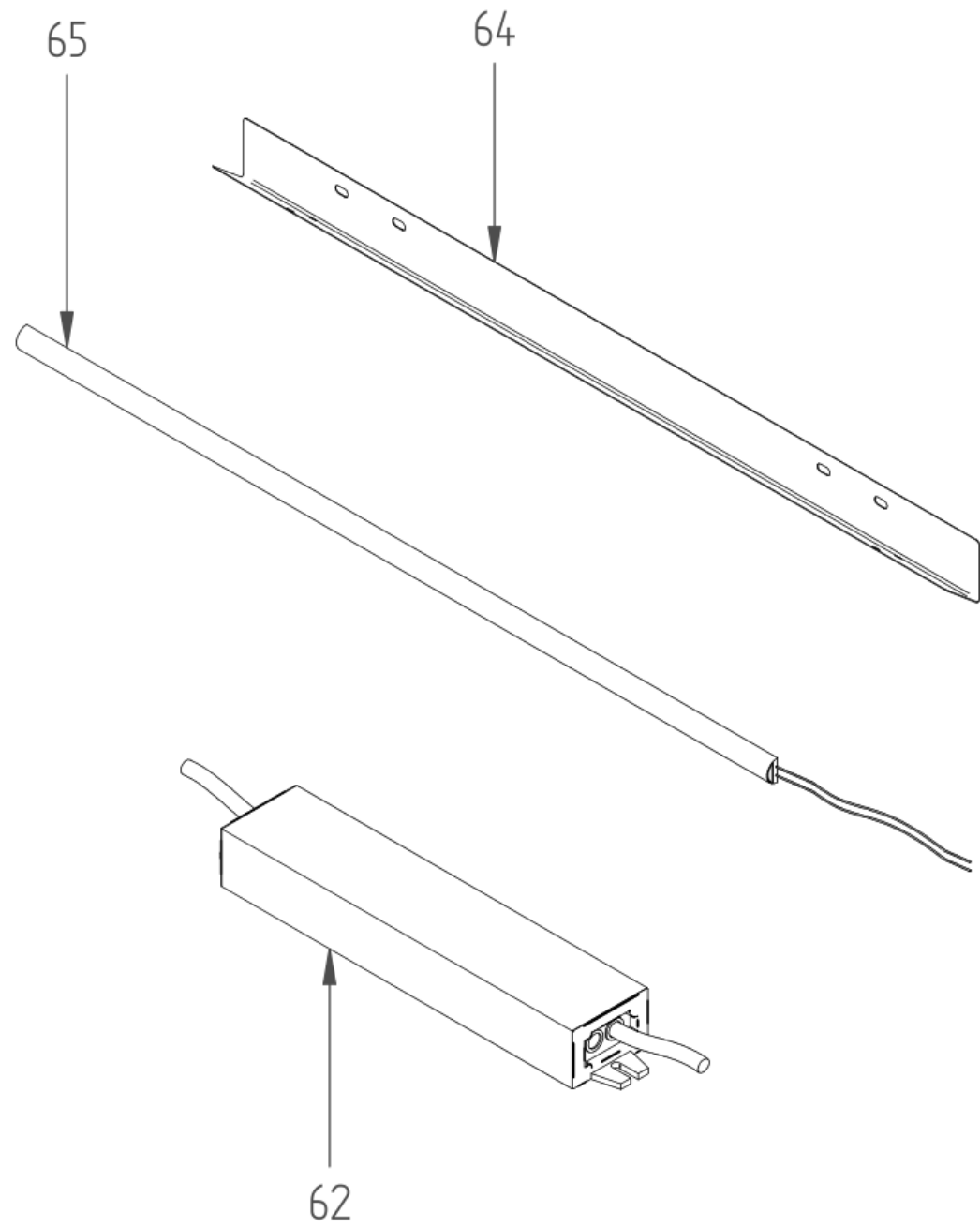
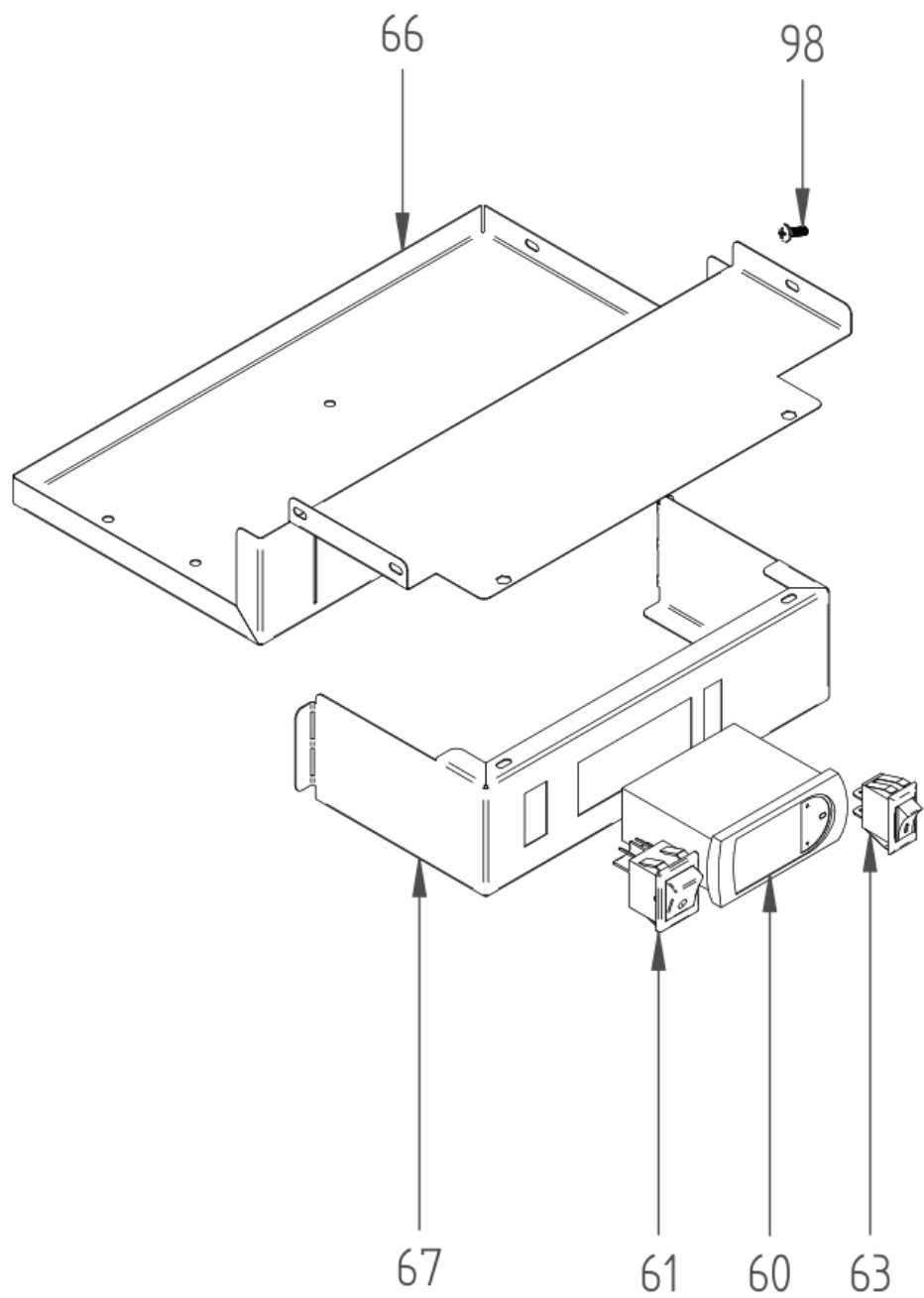
37	12190078	DRAIN	1					1									
	12191224	DRAIN	1	1	1	1	1	1	1	1	1	1					
38	12190472	DRAIN HOSE	0.75	2	2.1	2.2	2.4	0.8	2	2.1	2.2	2.4					
	12190467	DRAIN HOSE		1	1	1	1		1	1	1	1					
39	12189956	PLASTIC SEAL	2	1	1	1	1	2	1	1	1	1					
40	12190069	ADAPTER HOSE COUPLING	1	1	1	1	1	1	1	1	1	1					
41	12191224	DRAIN	1	1	1	1	1	1	1	1	1	1					



MODEL 24"

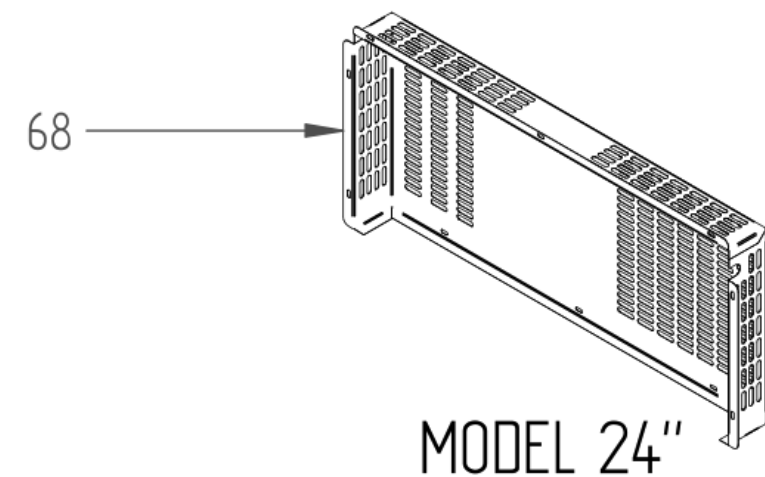
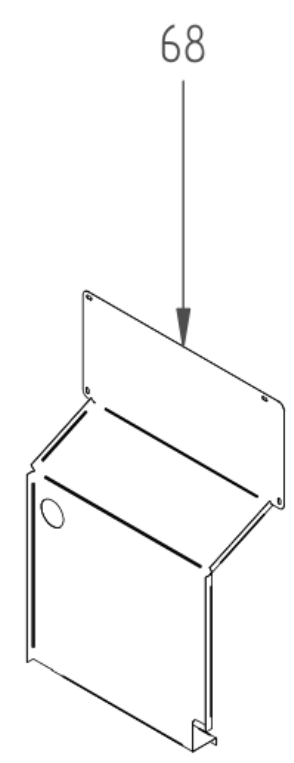
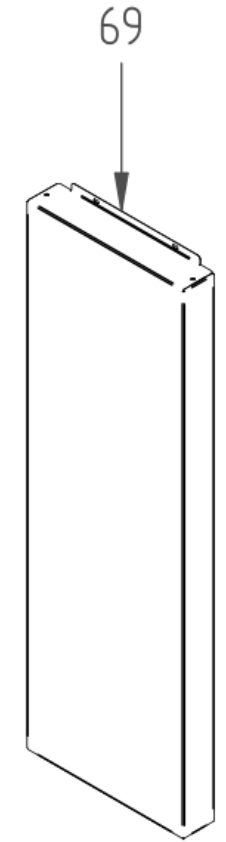
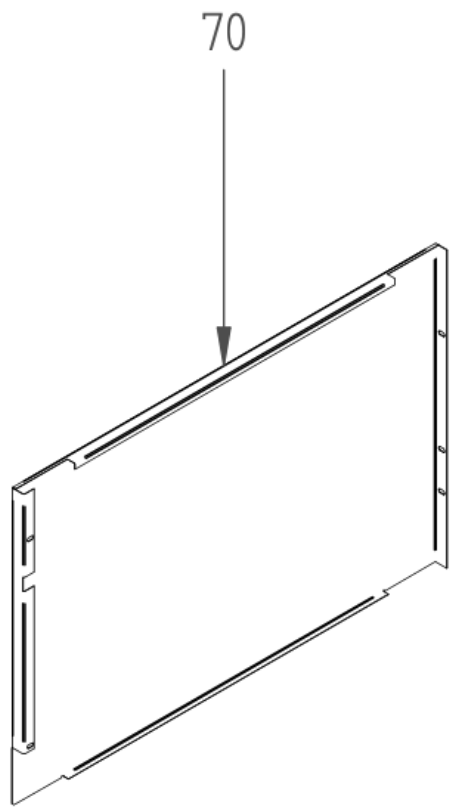
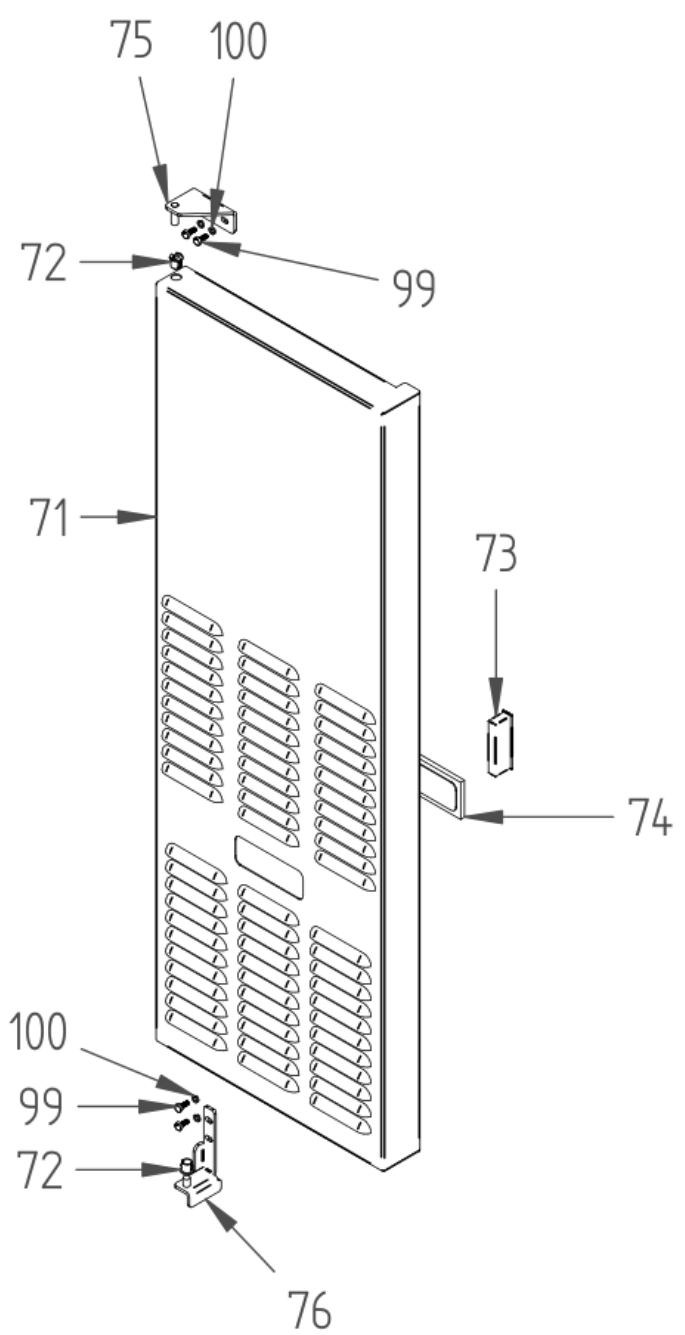


ZONE		DOORS & OTHERS			DRAWING					8-9							
ITEM	REFERENCE	DENOMINATION						S					RECOMMENDED	ELIMINATED	INTRODUCED	NOTES	
			DD 24	DD 59	DD 69	DD 80	DD 95	DD 24 S	DD 59 S	DD 69 S	DD 80 S	DD 95 S					
DOORS & OTHERS																	
42	12210323	DOOR	1														
	12210324	DOOR SS						1									
	12201946	DOOR		2	2	2	3										
	12232946	DOOR SS								2	2	2	3				
	12210337	DOOR 78				1											
	12210339	DOOR 78 SS										1					
43	12188100	GASKET	1					1							X		
	12191258	GASKET		2	2	2	3		2	2	2	3			X		
	12191259	GASKET				1									X		
		HINGE KIT													X		
44	12190869	TOP HINGE LEFT	1					1									
45	12194993	BOTTOM HINGE	1					1									
46	12190037	NYLON BUSHING	2					2									
		RIGHT HINGE KIT													X		
47	12191308	TOP RIGHT HINGE		1	1	2	2		1	1	2	2					
48	12191306	BOTTOM RIGHT HINGE		1	1	2	2		1	1	2	2					
49	12190016	SPACER		1	1	2	2		1	1	2	2					
50	12195118	WHASER CARTRIDGE		1	1	2	2		1	1	2	2					
51	12195119	STOP HINGE		1	1	2	2		1	1	2	2					
52	12038130	CARTRIDGE		2	2	2	3		2	2	2	3					
		LEFT HINGE KIT													X		
53	12191309	TOP LEFT HINGE		1	1	1	1		1	1	1	1					
54	12191307	BOTTOM LEFT HINGE		1	1	1	1		1	1	1	1					
49	12190016	SPACER		1	1	2	2		1	1	2	2					
50	12195118	WHASER CARTRIDGE		1	1	2	2		1	1	2	2					
51	12195119	STOP HINGE		1	1	2	2		1	1	2	2					
52	12038130	CARTRIDGE		2	2	2	3		2	2	2	3					
		HANDLE KIT RIGHT/LEFT													X		
55	12211931	RIGHT/LEFT HANDLE	1	2	2	3	3	1	2	2	2	3					
56	12190887	LOCK	1	2	2	3	3	1	2	2	2	3					
57	12211932	PLATE	1	2	2	3	3	1	2	2	2	3					
58	12195809	SUPPORT PLATE	1	2	2	3	3	1	2	2	2	3					
59	12248350	LOCK STOP	1					1									
	12195087	LOCK STOP		2	2	3	3		2	2	2	3					



ZONE	CONTROLLER & OTHER	DRAWING	11	DD 24_95 HC
-------------	-------------------------------	----------------	-----------	--------------------

ITEM	REFERENCE	DENOMINATION						S					RECOMENDED	ELIMINATED	INTRODUCED	NOTES
			DD 24	DD 59	DD 69	DD 80	DD 95	DD 24 S	DD 59 S	DD 69 S	DD 80 S	DD 95 S				
CONTROLLER & OTHER																
60	12188079	CAREL CONTROLLER	1	1	1	1	1	1	1	1	1	1	X			
61	12190513	ROCKER SWITCH 20 AMP		1	1	1	1			1	1	1	1			
62	12190580	DRIVER LED		1	1	1	1			1	1	1	1			
63	12037353	LIGHT SWITCH		1	1	1	1			1	1	1	1			
64	12194279	LAMP SUPPORT		1	1					1	1					
	12194278	LAMP SUPPORT				1	1					1	1	X		
65	12190586	LED LIGHT		1	1					1	1			X		
	12190587	LED LIGHT				1	1					1	1			
66	12206592	DEFLECTOR		1	1	1	1									
	12206625	DEFLECTOR SS								1	1	1	1			
67	12206593	CONTROLLER SUPPORT		1	1	1	1									
	12206624	CONTROLLER SUPPORT SS								1	1	1	1			

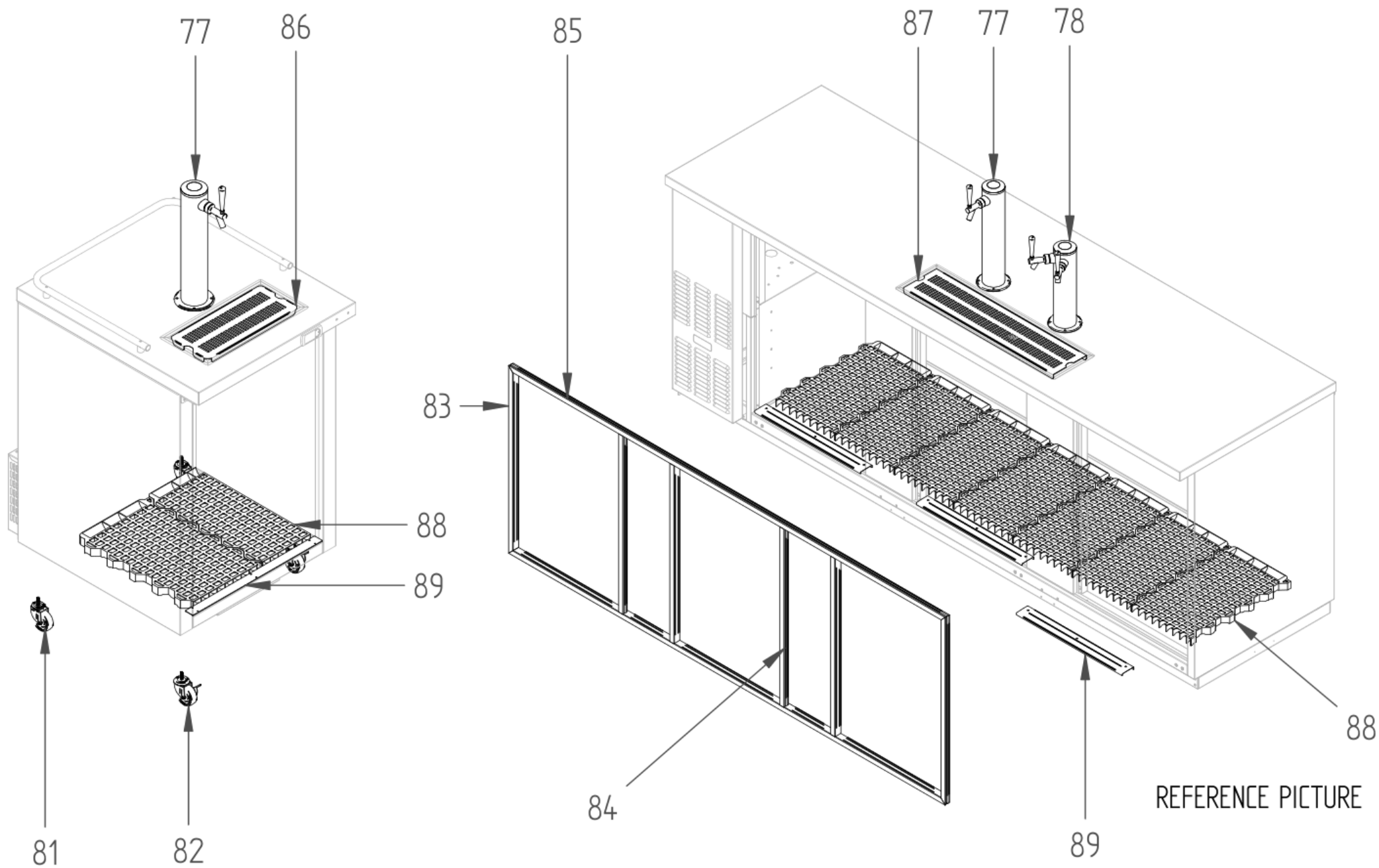


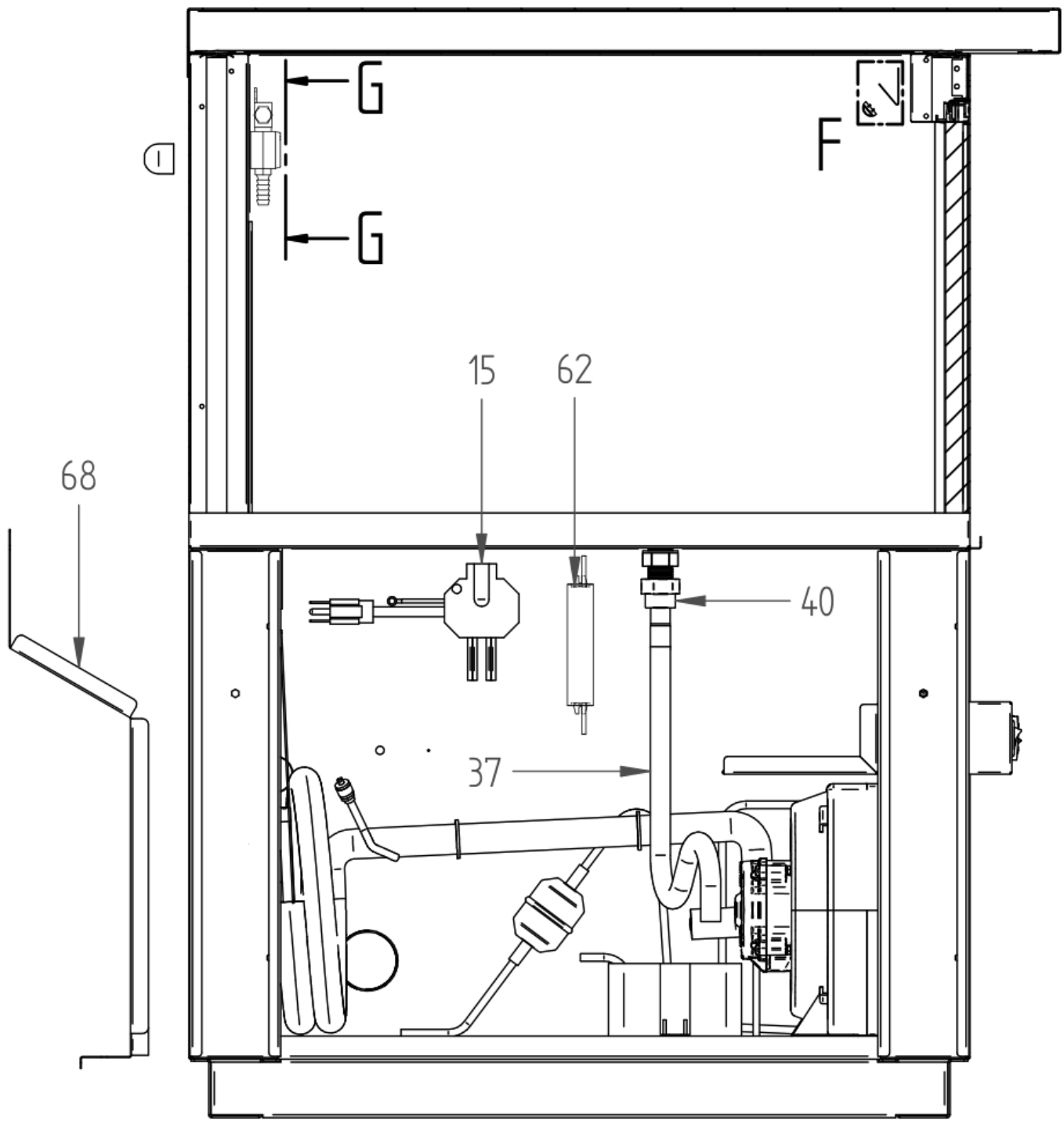
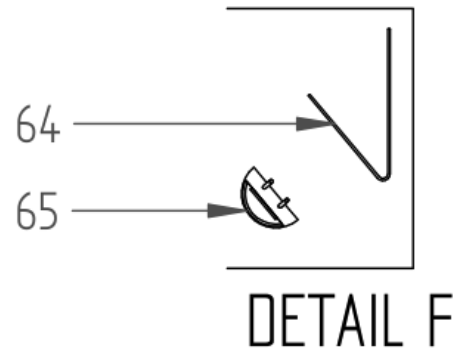
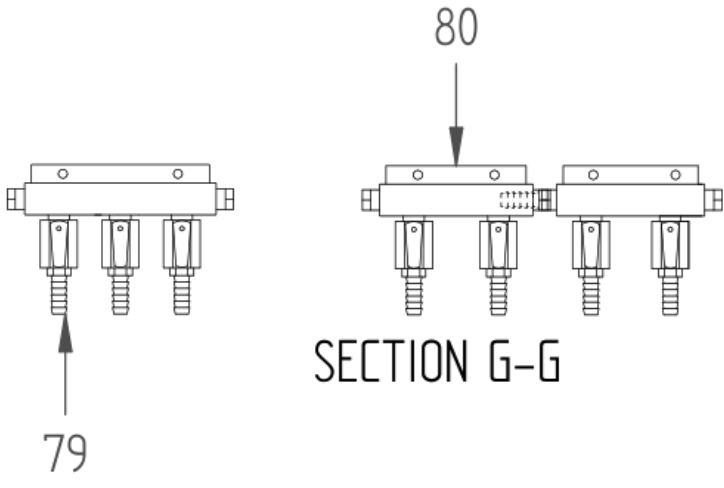
MODEL 24"

ZONE	PANELS	DRAWING	13	DD 24_95 HC
------	--------	---------	----	-------------

ITEM	REFERENCE	DENOMINATION						S					RECOMENDED	ELIMINATED	INTRODUCED	NOTES
			DD 24	DD 59	DD 69	DD 80	DD 95	DD 24 S	DD 59 S	DD 69 S	DD 80 S	DD 95 S				

PANELS																	
68	12195735	BACK PANEL	1														
	12206169	BACK PANEL SS						1									
	12195836	BACK PANEL		1	1	1	1										
	12227157	BACK PANEL SS							1	1	1	1					
	12206614	DOORS PANEL			1												
69	12207881	DOORS PANEL SS								1							
	12206609	DOORS PANEL					2										
	12207876	DOORS PANEL SS										2					
70	12206608	SIDE PANEL C.U.		1	1	1	1										
	12206184	SIDE PANEL C.U. SS							1	1	1	1					
71	12208995	FRONT PANEL		1	1	1	1										
	12222036	FRONT PANEL SS							1	1	1	1					
72	12213300	SNAP BUSHING		2	2	2	2		2	2	2	2					
73	12190968	MAGNET DOOR		1	1	1	1		1	1	1	1					
74	12191187	ACRYLIC LENS		1	1	1	1		1	1	1	1					
75	12216175	TOP HINGE		1	1	1	1		1	1	1	1					
76	12216178	BOTTOM HINGE		1	1	1	1		1	1	1	1					

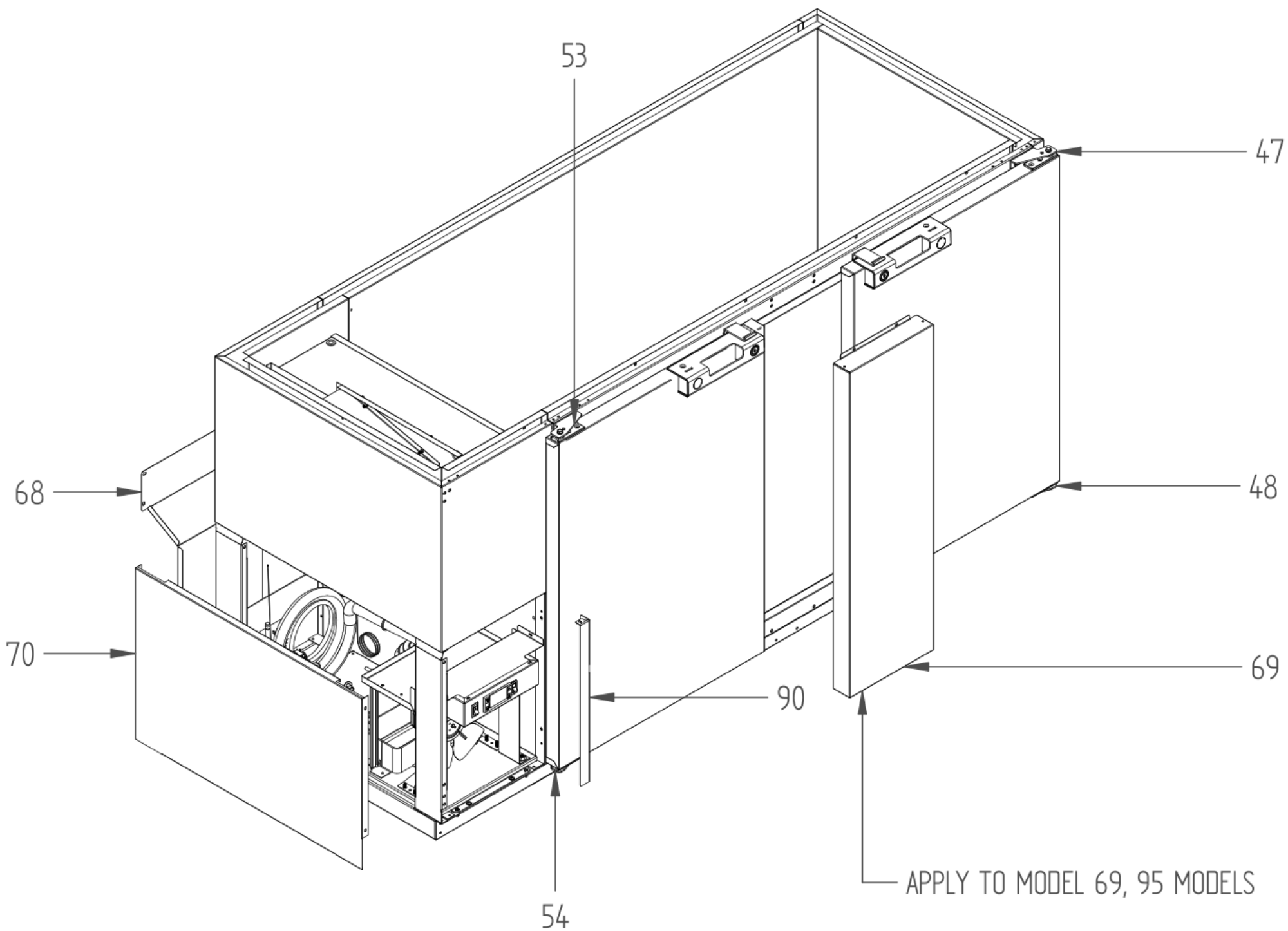




ZONE		TOWERS & OTHERS / PLASTIC FRAME			DRAWING					15-16		DD 24_95 HC				
ITEM	REFERENCE	DENOMINATION						S					RECOMMENDED	ELIMINATED	INTRODUCED	NOTES
			DD 24	DD 59	DD 69	DD 80	DD 95	DD 24 S	DD 59 S	DD 69 S	DD 80 S	DD 95 S				

TOWERS & OTHERS																	
77	12191240	1 WAY TOWER	1	1	1				1	1	1						
78	12191241	2 WAYS TOWER		1	1	2	2		1	1	2	2					
79	12191242	AIR DISTRIBUTOR (3 WAYS)		1	1				1	1							
80	12191243	AIR DISTRIBUTOR (4 WAYS)				1	1				1	1					
81	12190919	CASTER 2.5" WO/BRAKE	2						2								
82	12190920	CASTER 2.5" W/BRAKE	2						2								

PLASTIC FRAME																	
83	12200483	SIDE STRIP		2					2								
	12200484	SIDE STRIP			2					2							
	12200485	SIDE STRIP				2					2						
	12200486	SIDE STRIP					2					2					
84	12200487	CENTRAL STRIP		2	2	4	4		2	2	4	4					
85	12200510	TOP STRIP		2	2	2	2		2	2	2	2					
86	12193443	DRAIN GRID	1						1								
87	12193792	DRAIN GRID		1	1	1	1		1	1	1	1					
88	12191714	KEG CUSHION	1						1								
	12191715	KEG CUSHION	1						1								
	12191710	KEG CUSHION		3	4	5	7		3	4	5	7					
	12191711	KEG CUSHION		1					1								
	12191712	KEG CUSHION			1	1				1	1						
89	12191292	FRAME DOOR PROTECTION	1						1								
	12193518	FRAME DOOR PROTECTION															



ZONE		OTHERS/OTROS	DRAWING														
ITEM	REFERENCE	DENOMINATION						S					RECOMENDED	ELIMINATED	INTRODUCED	NOTES	
			DD 24	DD 59	DD 69	DD 80	DD 95	DD 24 S	DD 59 S	DD 69 S	DD 80 S	DD 95 S					
OTHERS/OTROS																	
90	12190891	RIGHT LIGHT TRIM		1	1	1	1										
	12206442	RIGHT LIGHT TRIM SS								1	1	1	1				
91	12191519	COMPRESSOR SCREW MOUNT	4	4	4	4	4	4	4	4	4	4	4				
92	12189583	SCREW M6x16	6	14	14	20	20	6	14	14	20	20					
93	12191590	SCREW FLAT HEAD M4 X 10	2	4	4	6	6	2	4	4	6	6					
94	12191506	SCREW DRILL 8X1/2"	4	4	4	4	4	4	4	4	4	4					
95	12189959	MANUAL SCREW M4X12	5	10	10	10	10	5	10	10	10	10					
96	12191518	SCREW ALLEN M6X16	6	6	6	6	6	6	6	6	6	6					
97	12191589	SCREW FLAT HEAD 10-32 X 5/8"	2	12	12	18	18	2	12	12	18	18					
98	12189582	SCREW M4x10 SS	16	16	16	16	16	16	16	16	16	16					
99	12191559	SCREW M4x10 HEAD HEX SS	4	4	4	4	4	4	4	4	4	4					
100	12191540	GROWER WASHER M4	4	4	4	4	4	4	4	4	4	4					

HOSHIZAKI AMERICA, INC.

618 Hwy. 74 South, Peachtree City, GA 30269 USA (P) 770.487.2331 (F) 770.487.3360 hoshizakiamerica.com