

NO. A5BA-A001
ISSUED: FEB.10, 1995
REVISED: MAY 25, 1997

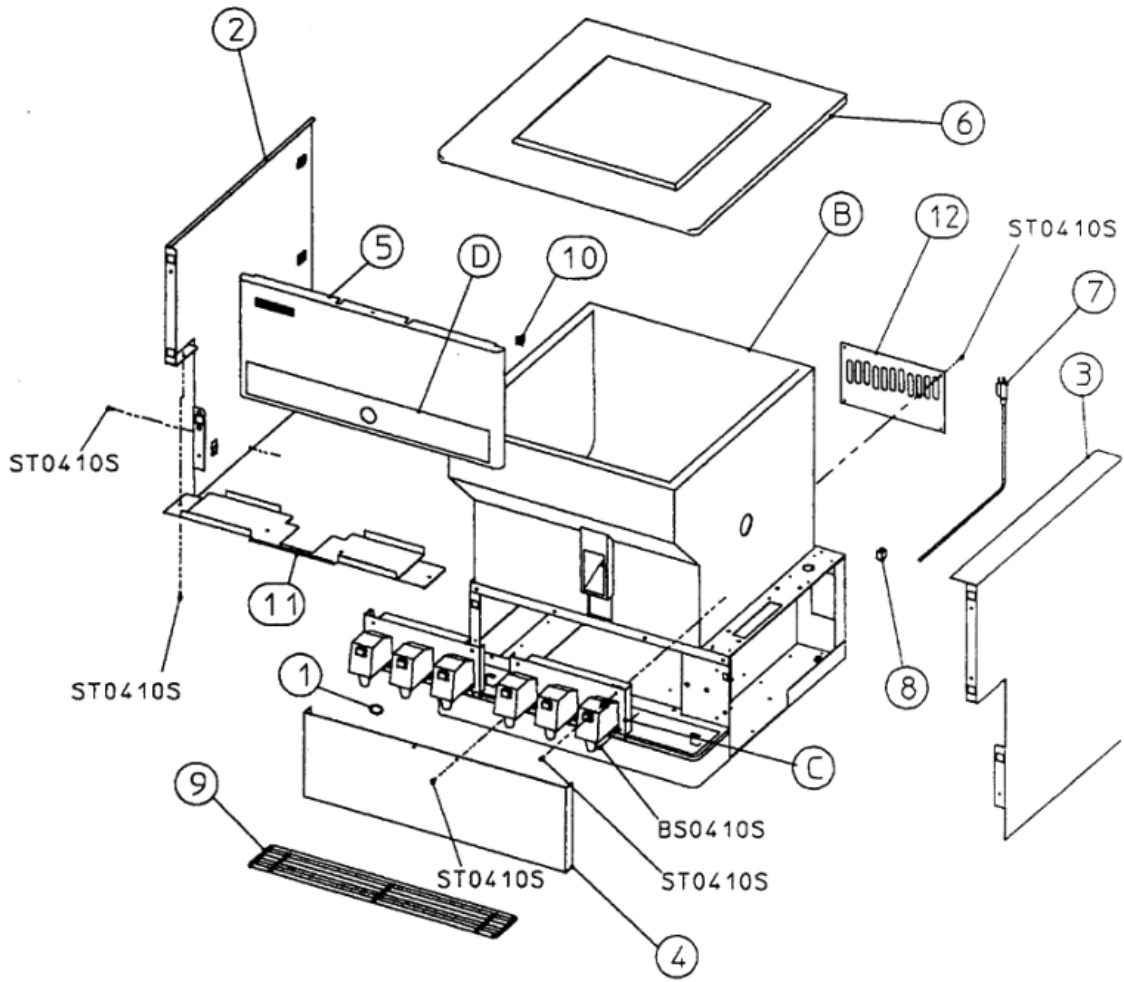


**HOSHIZAKI
ICE/BEVERAGE DISPENSER**

**MODEL DM-180A6
DM-180A8**

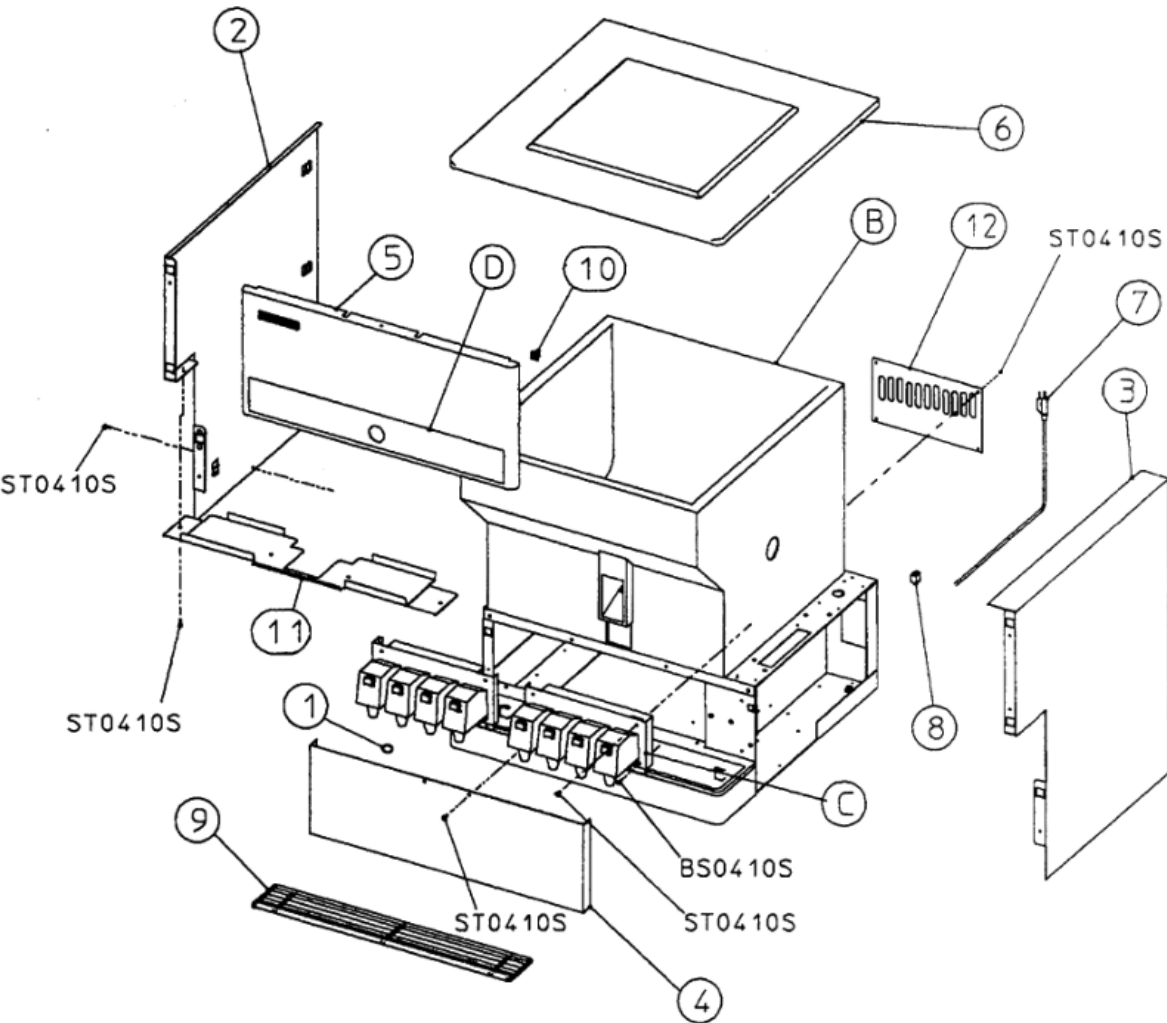
PARTS LIST

D-1 MAY 1994
E-0 NOV. 1994
E-1 AUG. 1995

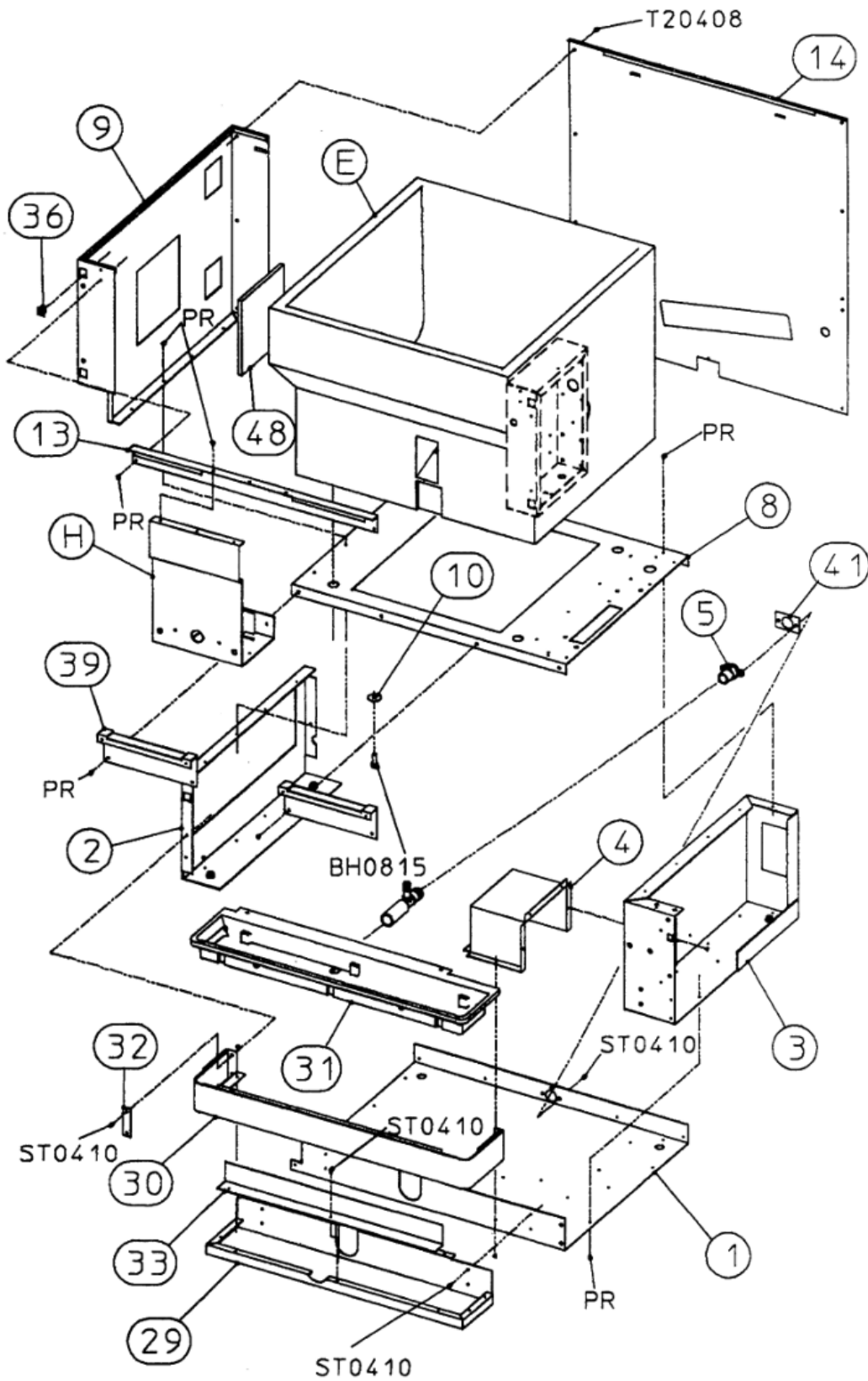


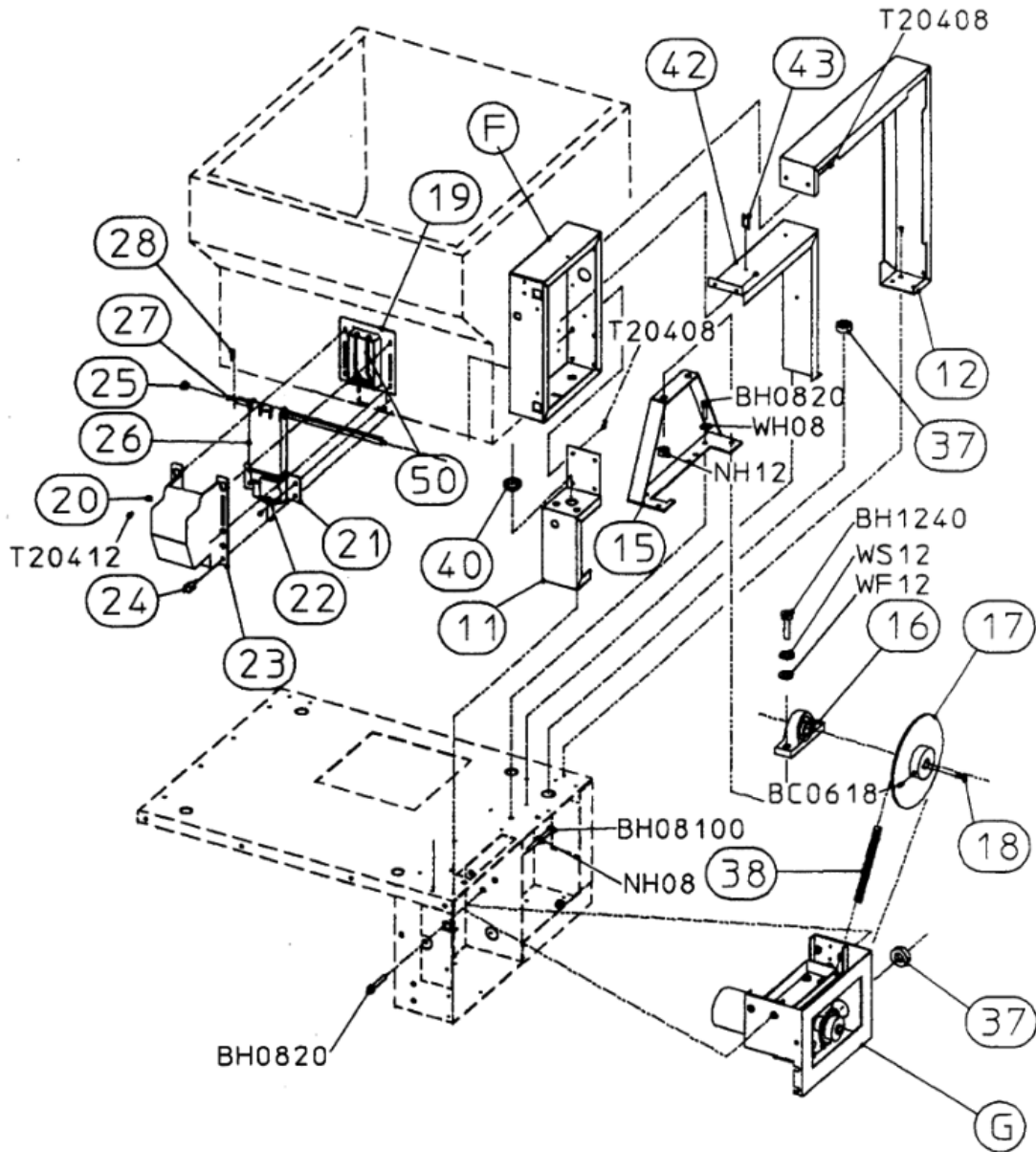
MODEL: DM-180A6 TITLE: A. DISPENSER ASSEMBLY

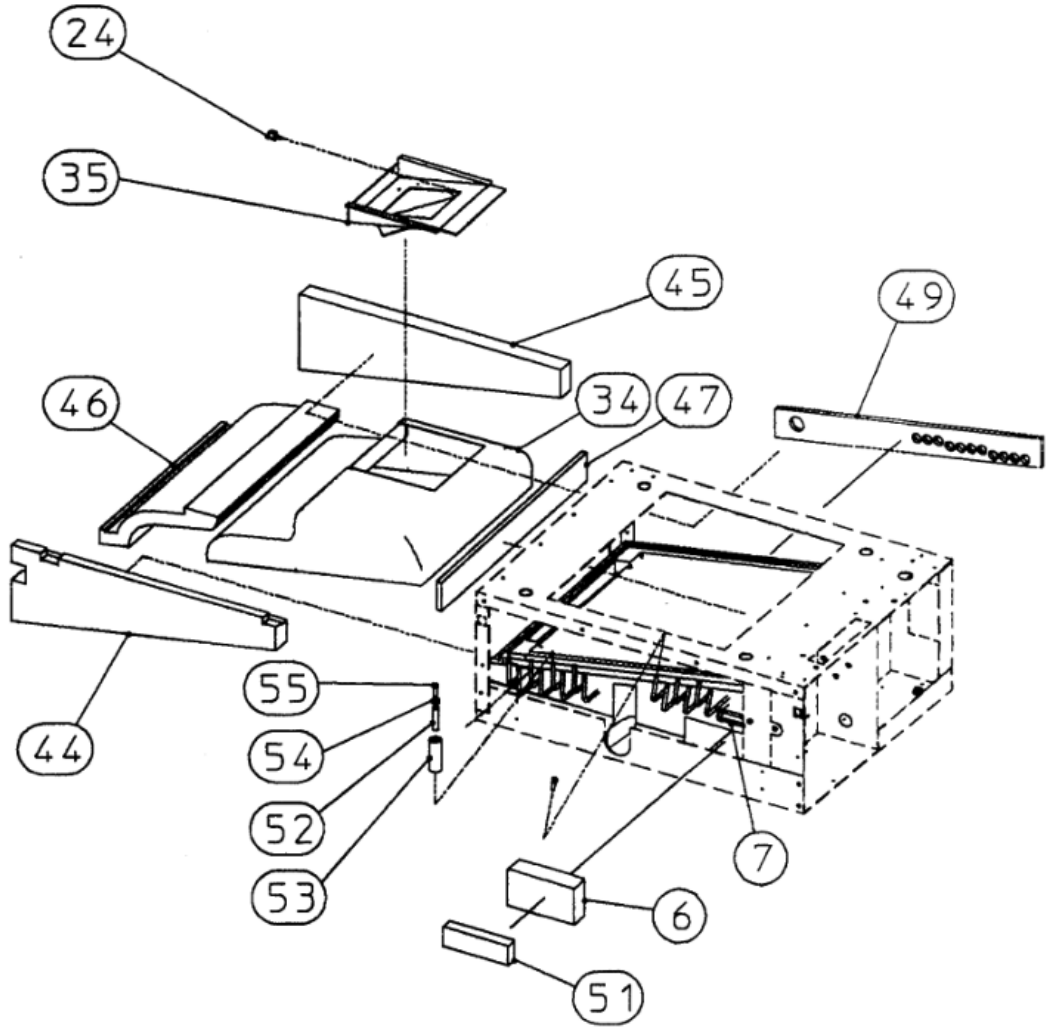
INDEX NO.	DESCRIPTION	MATERIAL OR MODEL NUMBER	PART NUMBER	REQUIRED NUMBER								
				D-1 E-0	E-1							
B	MECHANISM ASSEMBLY	-	1A0091A02	1	-							
		-	1A0126A02		1							
C	BEVERAGE HEAD ASSEMBLY	-	2A0295A02	1	-							
		-	2A0558A02		1							
D	LABEL LOCATION	-	3A0315A02	1	1							
1	BEVERAGE TUBING CLAMP	12.0	4A0533-02	12	12							
2	SIDE PANEL (L)	SS	2A0283G01	1	-							
		SS	2A0550G01		1							
3	SIDE PANEL (R)	SS	2A0284G01	1	-							
		SS	2A0549G01		1							
4	SPLASH PANEL ASSEMBLY	SS	2A0290G01	1	1							
5	FRONT PANEL ASSEMBLY	SS	2A0291G01	1	-							
		SS	2A0559A01		1							
6	MANUAL FILL COVER	ABS	2A0189-01	1	1							
7	POWER SUPPLY CORD	AEC-30	440894-01	1	1							
8	BUSHING	SR-7K-2	420472-02	1	1							
9	DRAIN GRILL	STEEL	2A0187G01	1	1							
10	STRIKE	263-000006-00	4A0515-01	2	2							
11	COVER (A)	SS	2A0286-01	1	1							
12	INLET TUBE COVER	GS	3A0485-01		1							

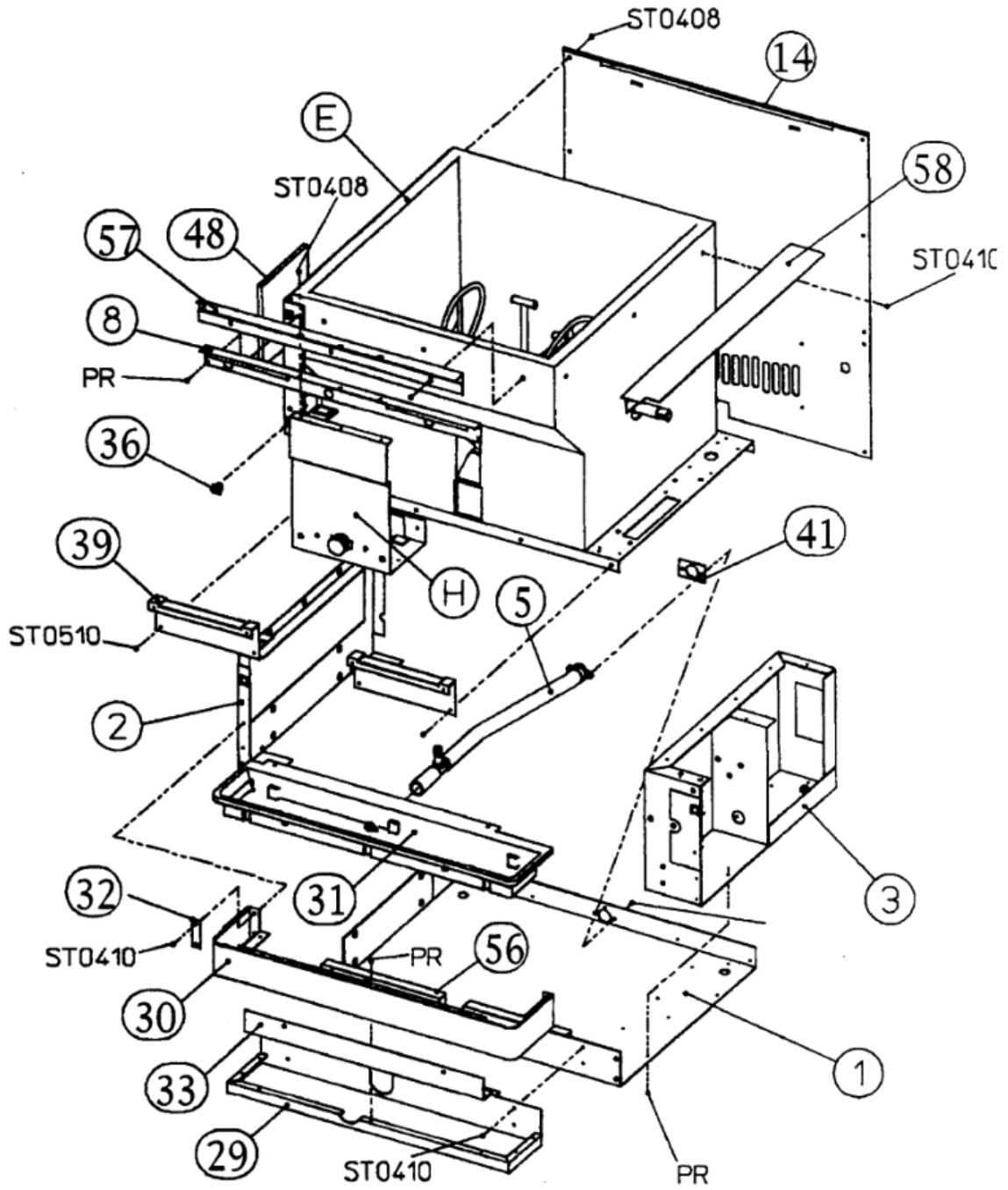


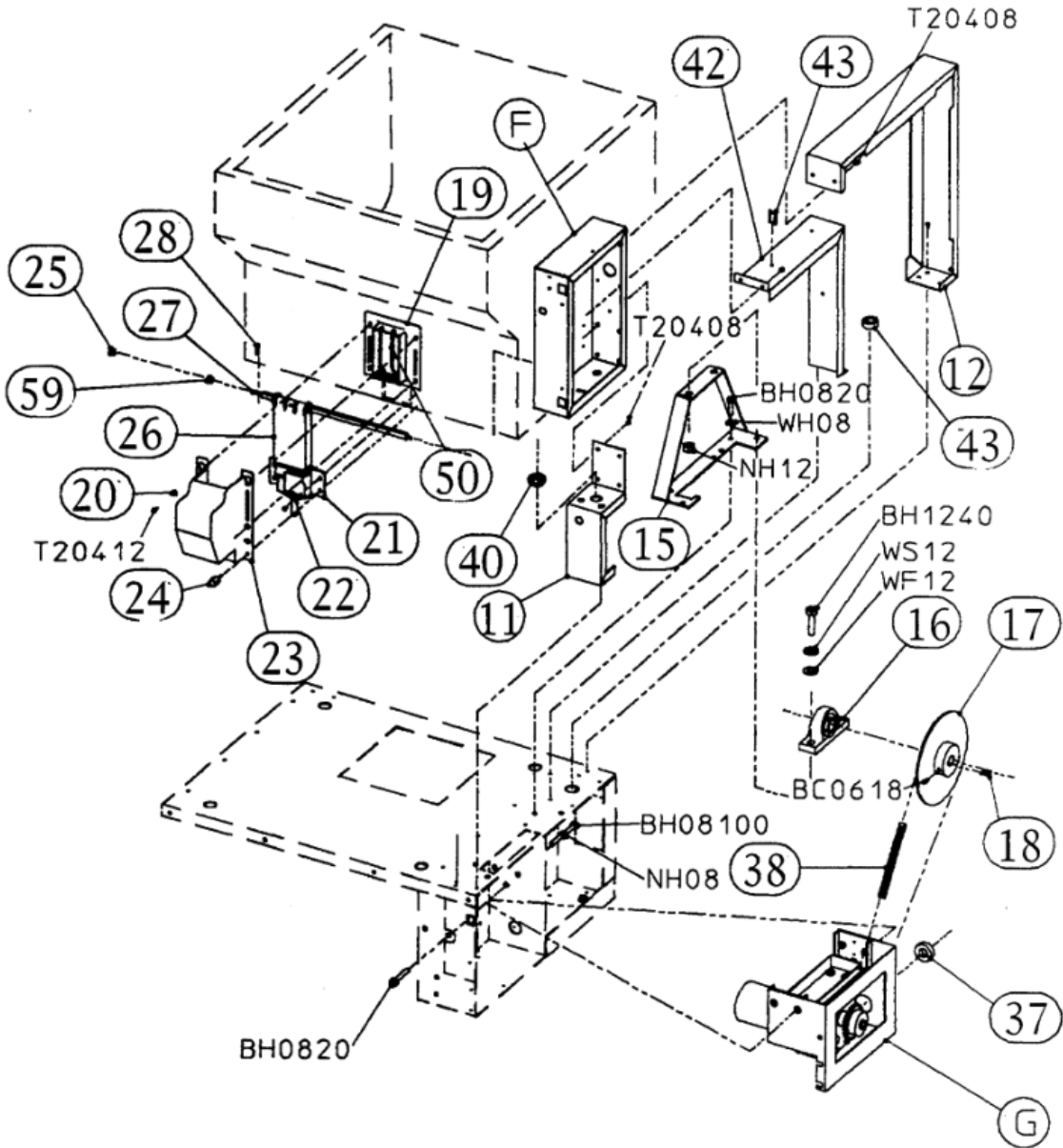
MODEL: DM-180A8 TITLE: A. DISPENSER ASSEMBLY									
INDEX NO.	DESCRIPTION	MATERIAL OR MODEL NUMBER	PART NUMBER	REQUIRED NUMBER					
				D-1 E-0	E-1				
B	MECHANISM ASSEMBLY	-	1A0091A01	1	-				
		-	1A0126A01		1				
C	BEVERAGE HEAD ASSEMBLY	-	2A0295A01	1	-				
		-	2A0558A01		1				
D	LABEL LOCATION	-	3A0315A01	1	1				
1	BEVERAGE TUBING CLAMP	12.0	4A0533-02	16	16				
2	SIDE PANEL (L)	SS	2A0283G01	1	-				
		SS	2A0550G01		1				
3	SIDE PANEL (R)	SS	2A0284G01	1	-				
		SS	2A0549G01		1				
4	SPLASH PANEL ASSEMBLY	SS	2A0290G01	1	1				
5	FRONT PANEL ASSEMBLY	SS	2A0291G01	1	-				
		SS	2A0559A01		1				
6	MANUAL FILL COVER	ABS	2A0189-01	1	1				
7	POWER SUPPLY CORD	AEC-30	440894-01	1	1				
8	BUSHING	SR-7K-2	420472-02	1	1				
9	DRAIN GRILL	STEEL	2A0187G01	1	1				
10	STRIKE	263-000006-00	4A0515-01	2	2				
11	COVER (A)	SS	2A0286-01	1	1				
12	INLET TUBE COVER	GS	3A0485-01		1				

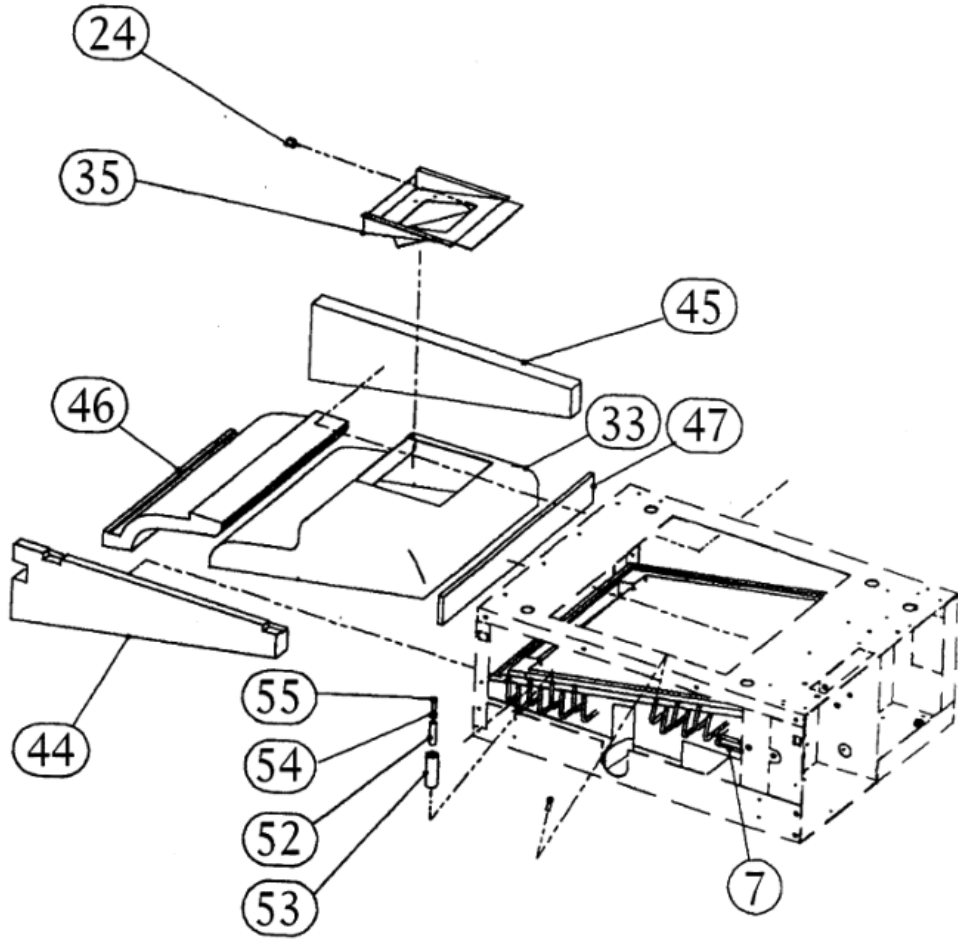








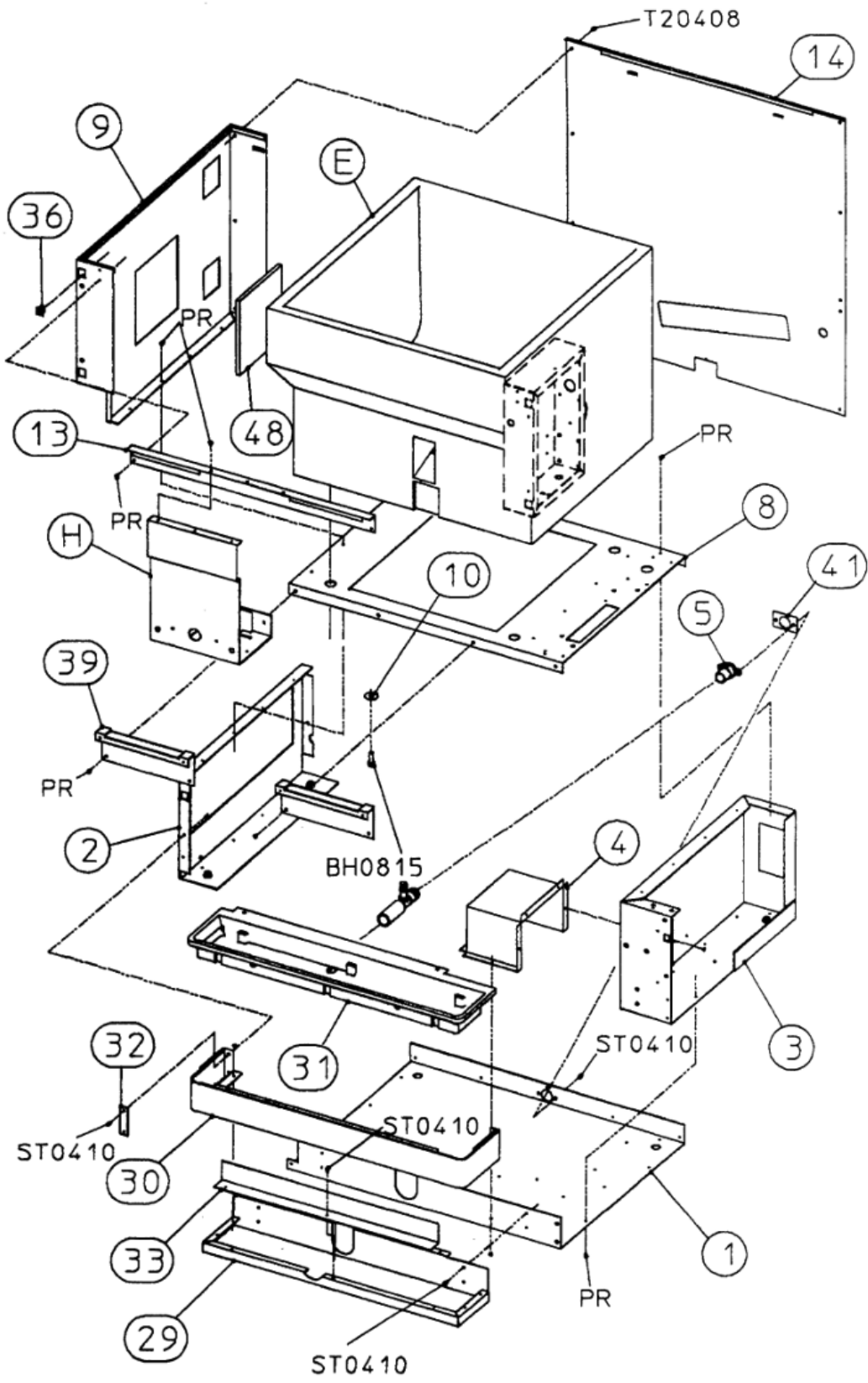


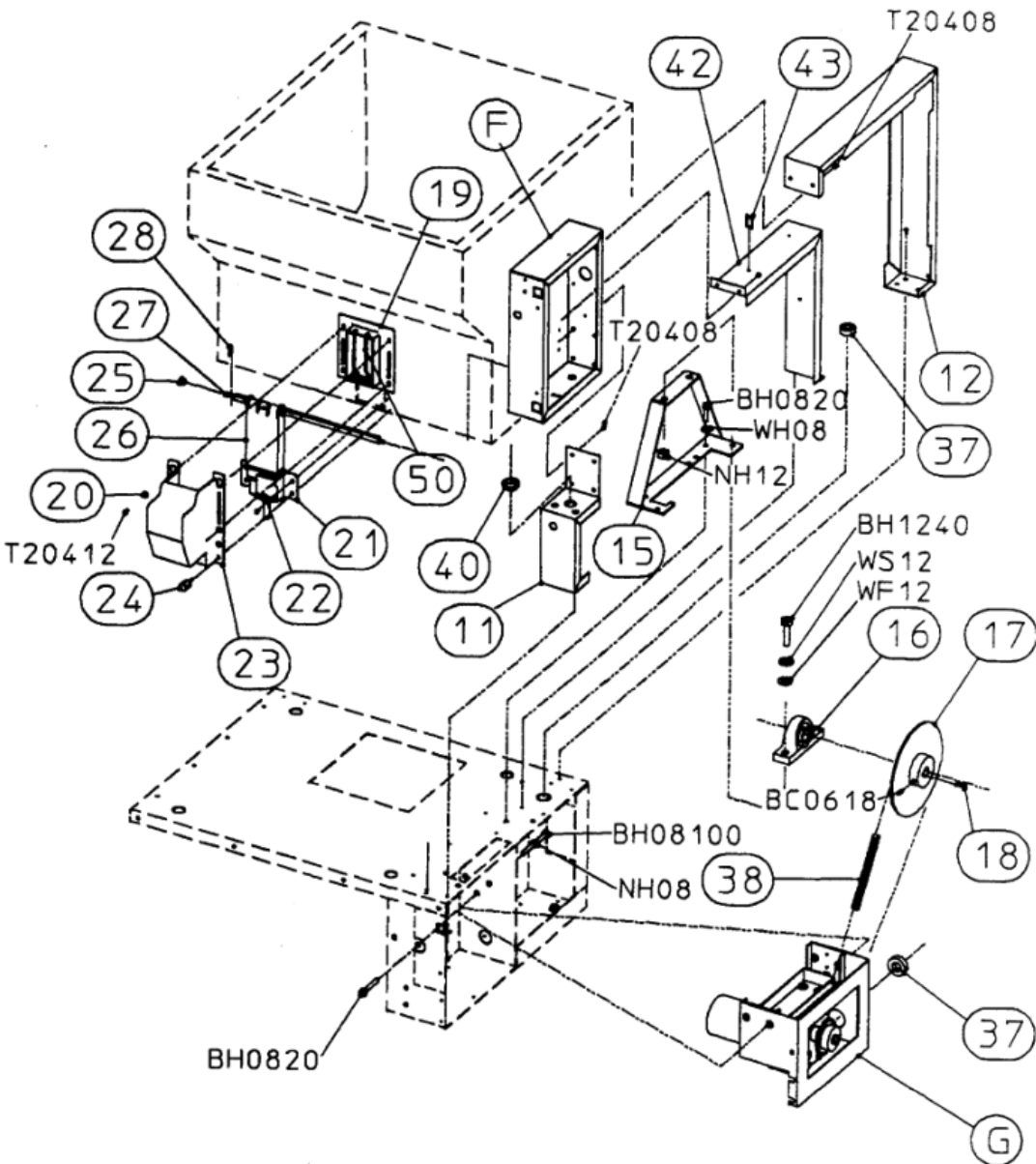


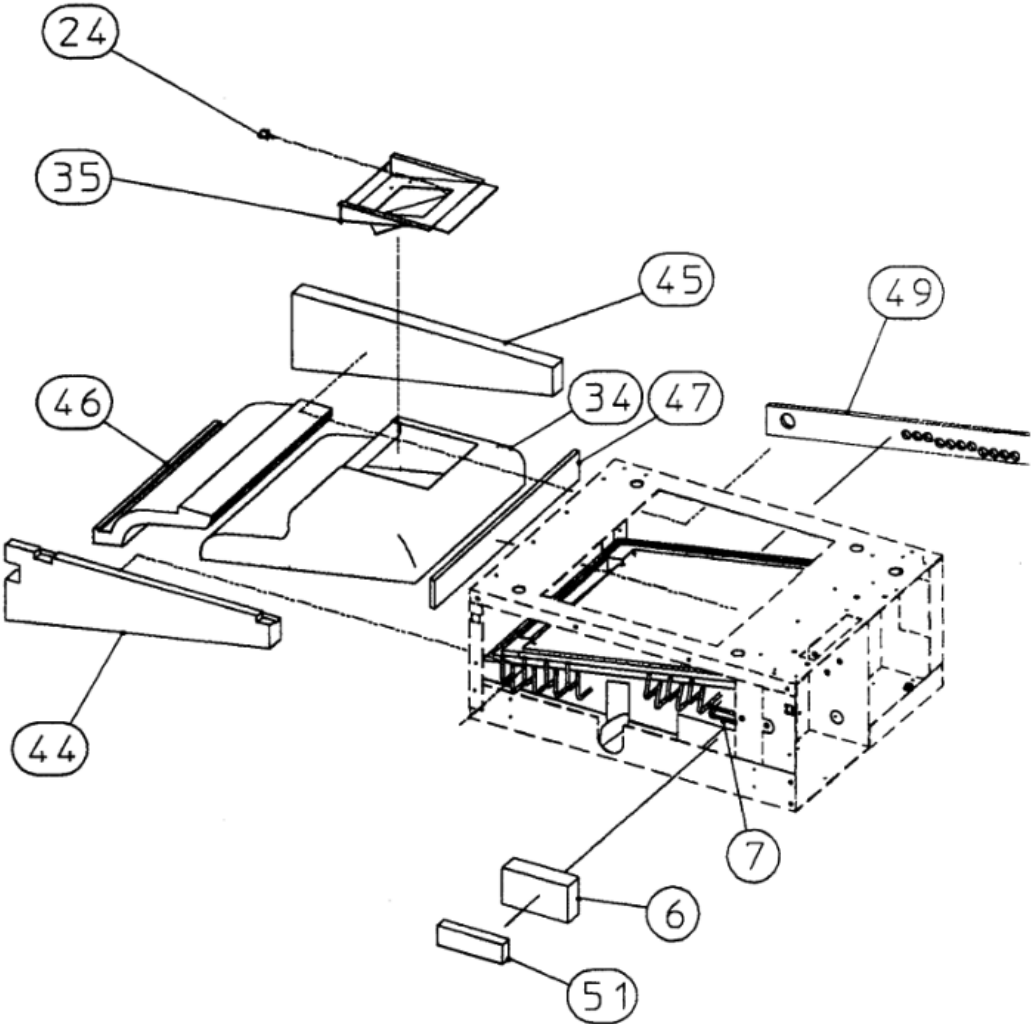
MODEL: DM-180A6 TITLE: B. MECHANISM ASSEMBLY										
INDEX NO.	DESCRIPTION	MATERIAL OR MODEL NUMBER	PART NUMBER	REQUIRED NUMBER						
				D-1 E-0	E-1					
E	BIN ASSEMBLY	-	1A0093A01	1	-					
		-	1A0125A01		1					
F	CONTROL BOX ASSEMBLY	-	3A0299A01	1	-					
		-	3A0483A01		1					
G	GEAR MOTOR ASSEMBLY	-	2A0289A01	1	1					
H	PUSH SWITCH ASSEMBLY	-	3A0300A01	1	-					
		-	3A0490A01		1					
1	BOTTOM PANEL	GS	1A0082-01	1	-					
		GS	1A0121-01		1					
2	CHASSIS (A)	GS	2A0262G01	1	-					
		GS	2A0530G01		1					
3	CHASSIS (B)	GS	2A0287G01	1	1					
4	BARRIER (A)	GS	3A0272-01	1	-					
5	DRAIN CIRCUIT	PVC	3A0298G01	1	1					
6	INSULATION (A)	PE	4A0513-01	1	-					
7	COLD PLATE ASSEMBLY	AL,PUR	1A0097G01	1	-					
		AL,PUR	2A0537G01		1					
8	CHASSIS (D)	GS	2A0447G01	1	-					
9	INTERIOR PANEL	GS	2A0288G01	1	-					
10	WASHER	GS	4A0655-04	4	-					
11	FRAME (A)	GS	3A0284-01	1	1					
12	FRAME (B)	GS	3A0297G01	1	-					
		GS	3A0491G01		1					
13	FRONT FRAME	GS	3A0287-01	1	-					
		GS	3A0484-01		1					
14	REAR PANEL (A)	GS	2A0294-01	1	-					
		GS	2A0546-01		1					
15	PILLOW BRACKET	GS	3A0283-01	1	1					
16	PILLOW	ZUCP205	435553-02	1	1					

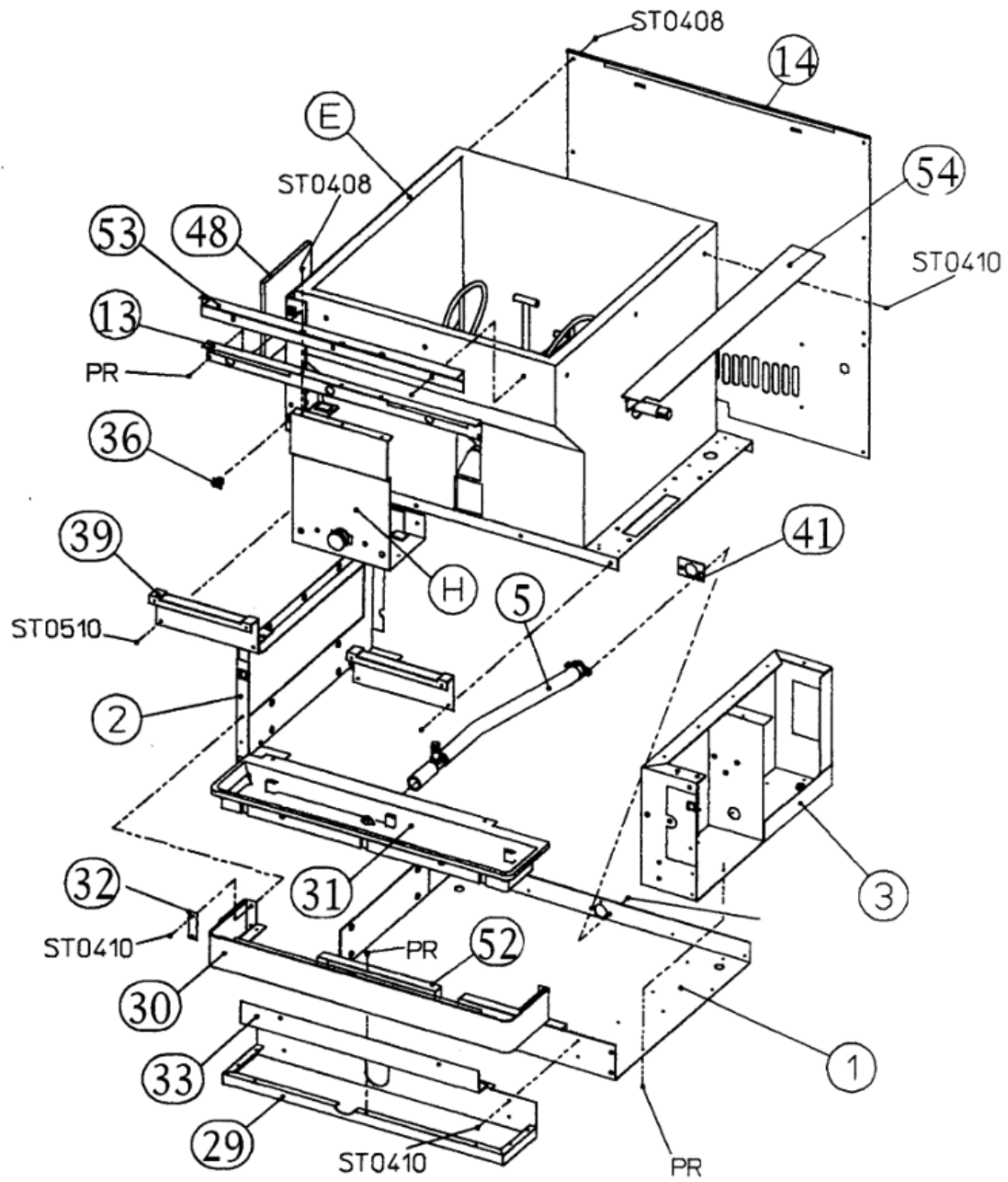
MODEL: DM-180A6 TITLE: B. MECHANISM ASSEMBLY

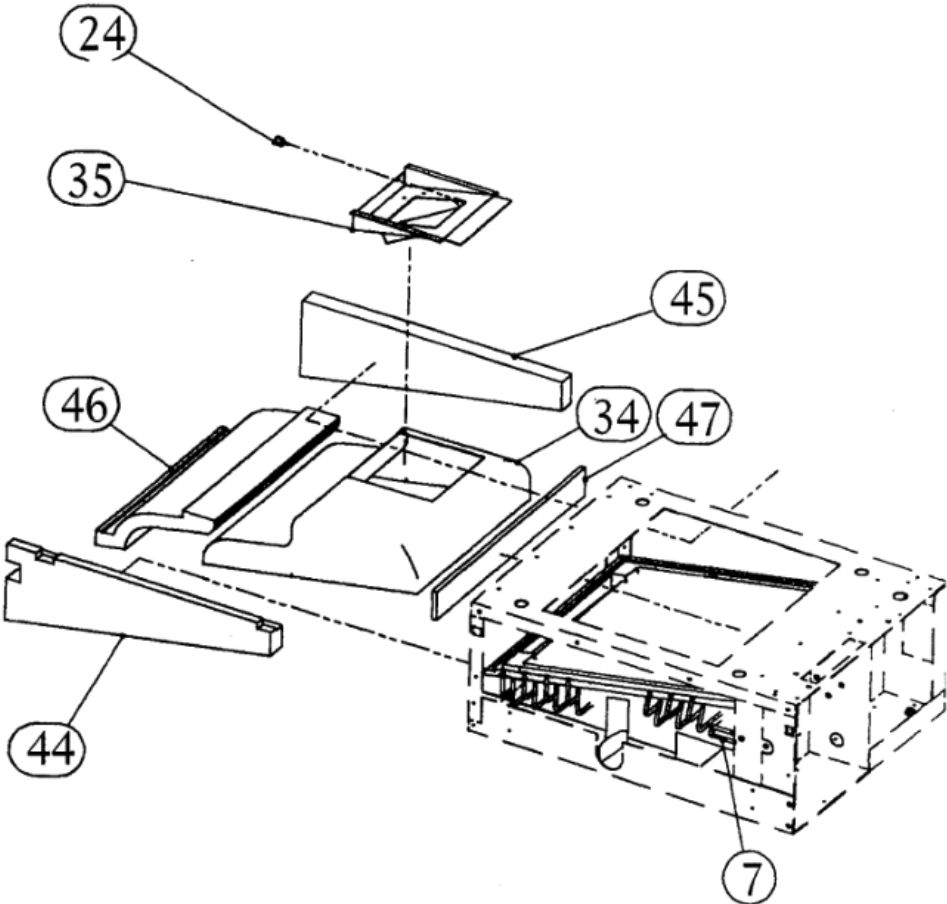
INDEX NO.	DESCRIPTION	MATERIAL OR MODEL NUMBER	PART NUMBER	REQUIRED NUMBER					
				D-1 E-0	E-1				
17	SPROCKET (B)	35 x 65T	435554-01	1	1				
18	KEY	6 x 22	437265-01	1	1				
19	SPOUT (B)	ABS	2A0177-01	1	1				
20	TAPER COLLAR	SS	4H0171-01	2	2				
21	DRIP CUP	ABS	2A0188-01	1	1				
22	INSULATION B	PE	4A0514-01	2	2				
23	SPOUT (A)	ABS	2A0176-01	1	1				
24	THUMBSCREW	ABS	415949G01	4	4				
25	COLLAR-SHUTTER	POM	435533-01	1	1				
26	SHUTTER (A)	AC	2A0178-01	1	1				
27	SHAFT-SHUTTER	SS	328648-02	1	1				
28	SNAP PIN	SSP-6	715S-0006	1	1				
29	DRAIN PANEL MOUNT	GS	2A0273-01	1	1				
30	DRAIN PANEL	SS	2A0278-01	1	1				
31	DRAIN PAN ASSEMBLY.	ABS	2A0312G01	1	1				
32	BRACE (C)	SS	4A0656-01	2	2				
33	BRACKET (B)	GS	3A0393-01	1	1				
34	CHUTE	ABS	1A0064-01	1	1				
35	GUIDE	SS	3A0302G01	1	1				
36	LATCH	8501-00-59	4A0508-03	4	4				
37	BUSHING	SB-1093-13	420470-12	2	2				
38	CHAIN	35x142	435797-02	1	1				
39	BRACKET (D)	GS	4A0478-01	2	2				
40	BUSHING	SB-625-8	420470-01	1	1				
41	PAD	ABS	436580-01	1	1				
42	BARRIER (B)	GS	2A0420-01	1	1				
43	WIRE SADDLE	VWS4274-C	4A0338-03	3	3				
44	FRONT INSULATION	PS	3A0416-01	1	1				
45	REAR INSULATION	PS	3A0417-01	1	1				







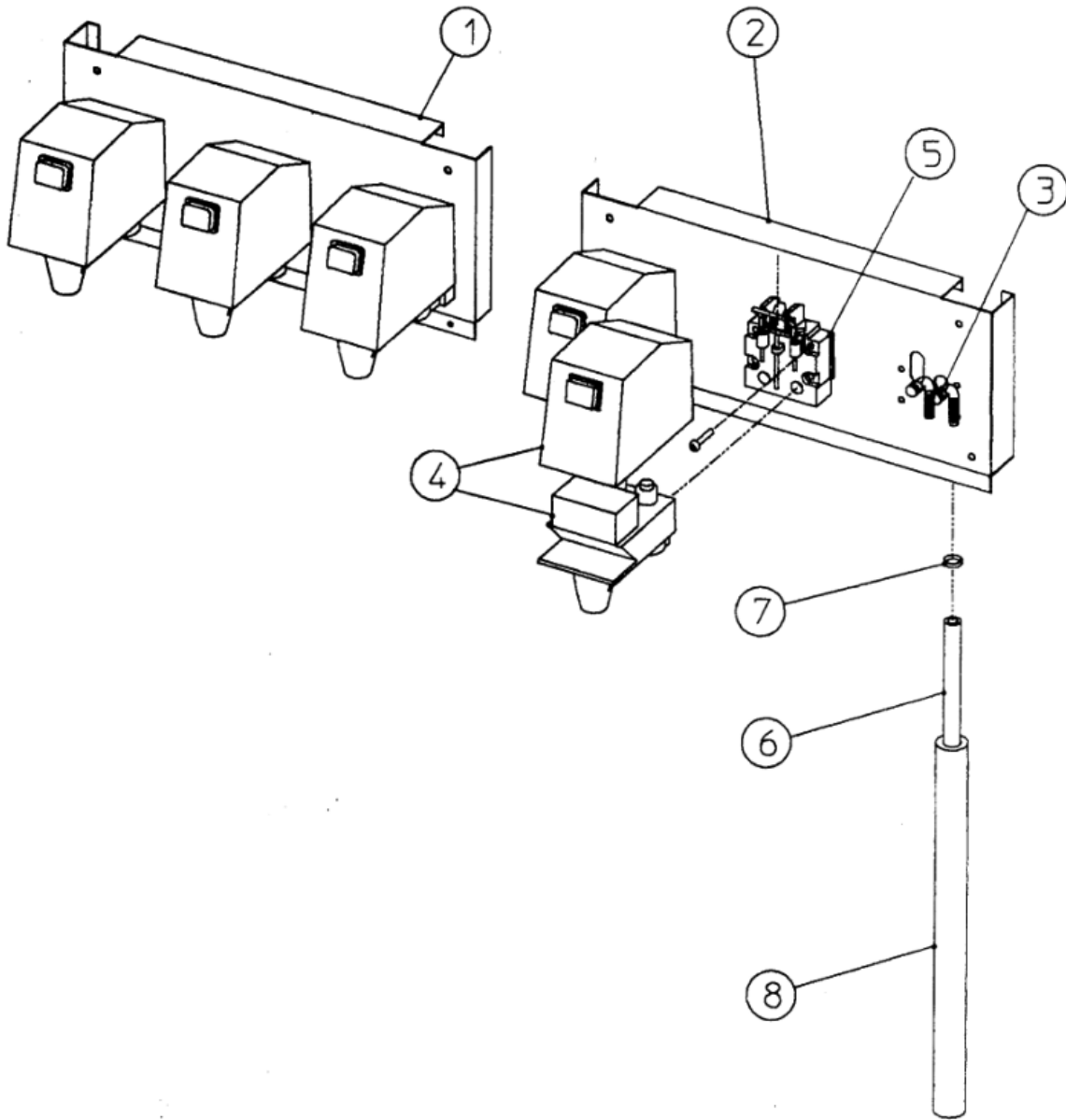


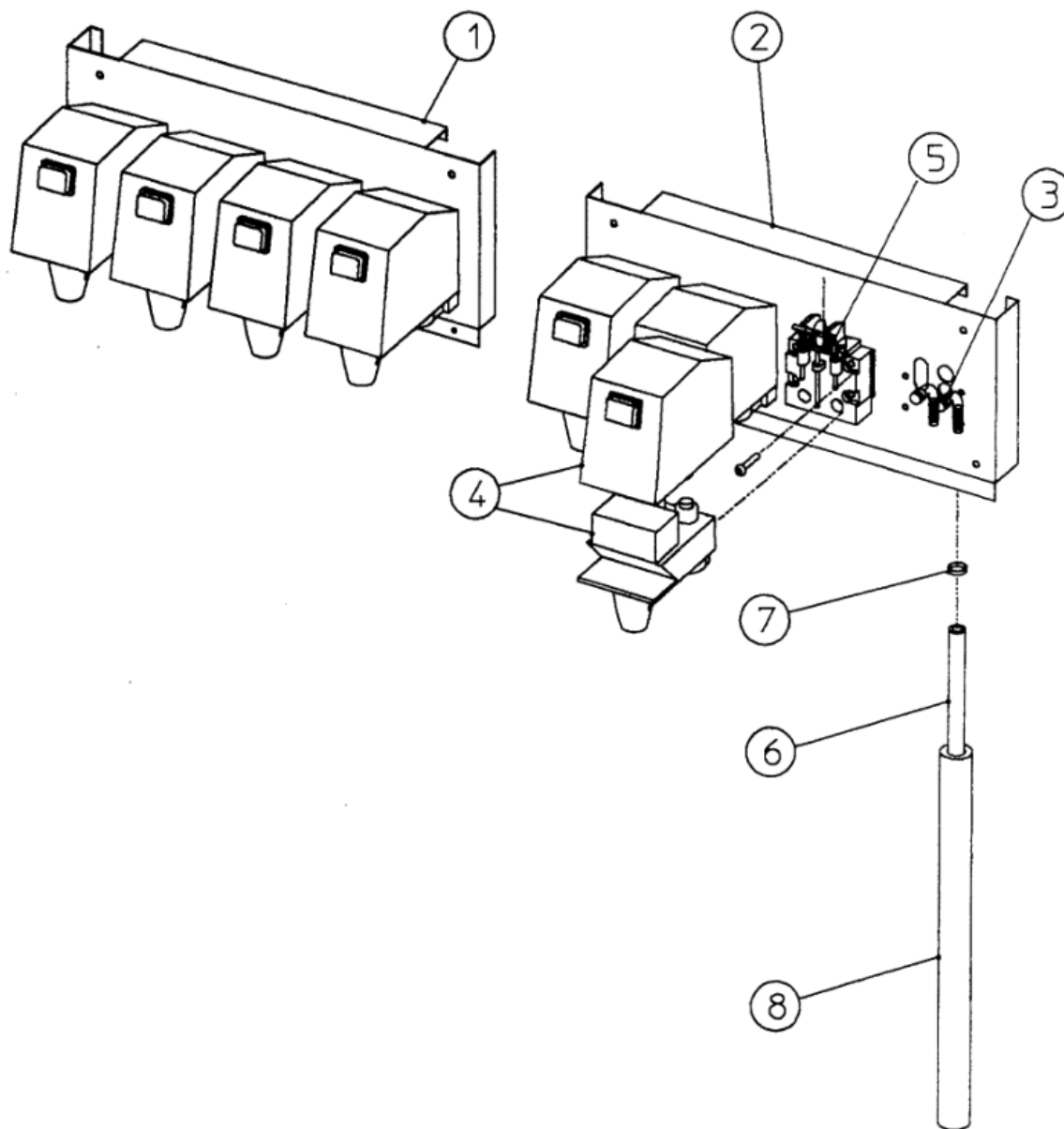


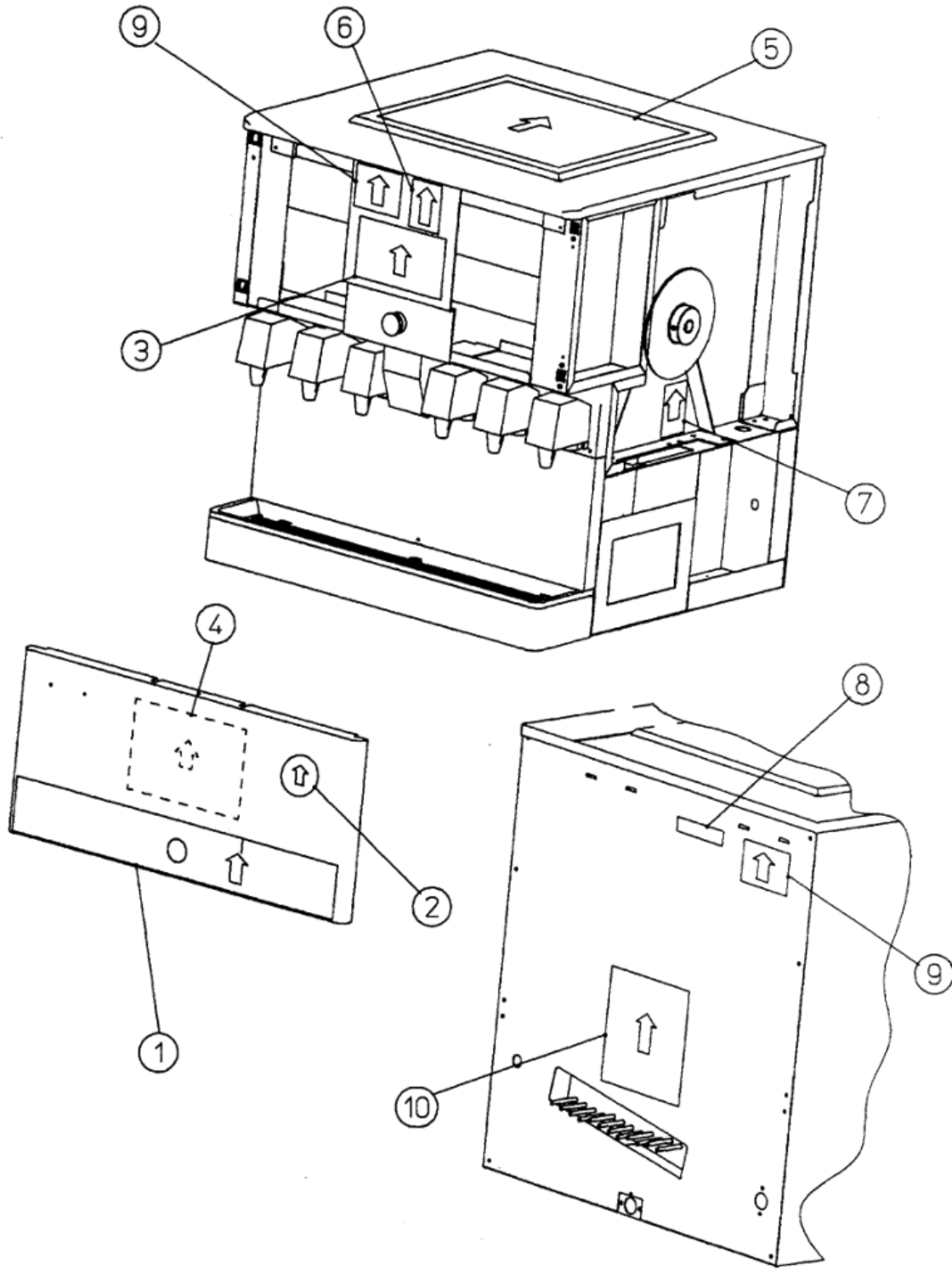
MODEL: DM-180A8 TITLE: B. MECHANISM ASSEMBLY

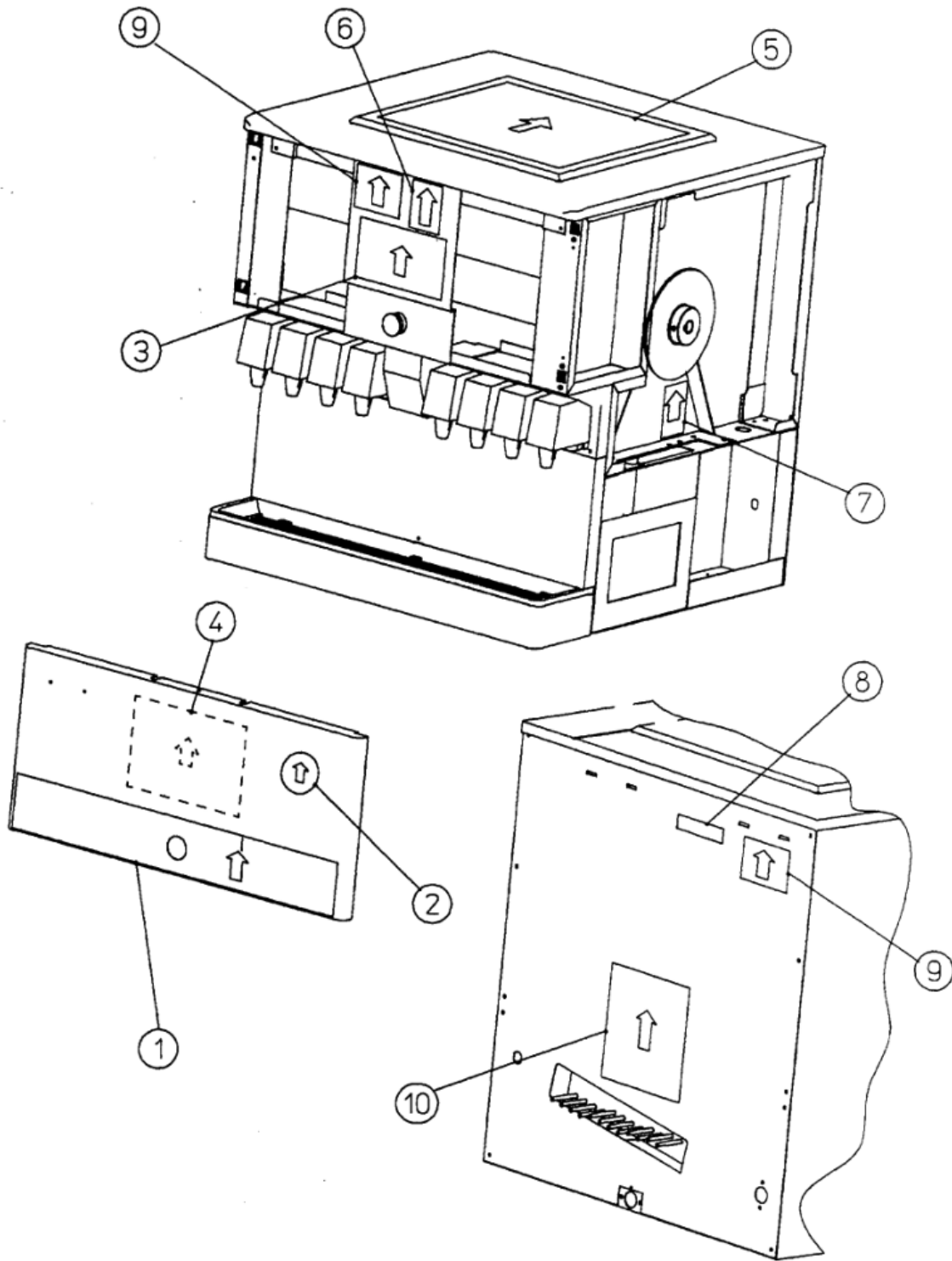
INDEX NO.	DESCRIPTION	MATERIAL OR MODEL NUMBER	PART NUMBER	REQUIRED NUMBER						
				D-1 E-0	E-1					
E	BIN ASSEMBLY	-	1A0093A01	1	-					
		-	1A0125A01		1					
F	CONTROL BOX ASSEMBLY	-	3A0299A01	1	-					
		-	3A0483A01		1					
G	GEAR MOTOR ASSEMBLY	-	2A0289A01	1	1					
H	PUSH SWITCH ASSEMBLY	-	3A0300A01	1	-					
		-	3A0490A01		1					
1	BOTTOM PANEL	GS	1A0082-01	1	-					
		GS	1A0121-01		1					
2	CHASSIS (A)	GS	2A0262G01	1	-					
		GS	2A0530G01		1					
3	CHASSIS (B)	GS	2A0287G01	1	1					
4	BARRIER (A)	GS	3A0272-01	1	-					
5	DRAIN CIRCUIT	PVC	3A0298G01	1	1					
6	INSULATION (A)	PE	4A0513-01	1	-					
7	COLD PLATE ASSEMBLY	AL, PUR	1A0097G01	1	-					
		AL, PUR	2A0537G01		1					
8	CHASSIS (D)	GS	2A0447G01	1	-					
9	INTERIOR PANEL	GS	2A0288G01	1	-					
10	WASHER	GS	4A0655-04	4	-					
11	FRAME (A)	GS	3A0284-01	1	1					
12	FRAME (B)	GS	3A0297G01	1	-					
		GS	3A0491G01		1					
13	FRONT FRAME	GS	3A0287-01	1	-					
		GS	3A0484-01		1					
14	REAR PANEL (A)	GS	2A0294-01	1	-					
		GS	2A0546-01		1					
15	PILLOW BRACKET	GS	3A0283-01	1	1					
16	PILLOW	ZUCP205	435553-02	1	1					

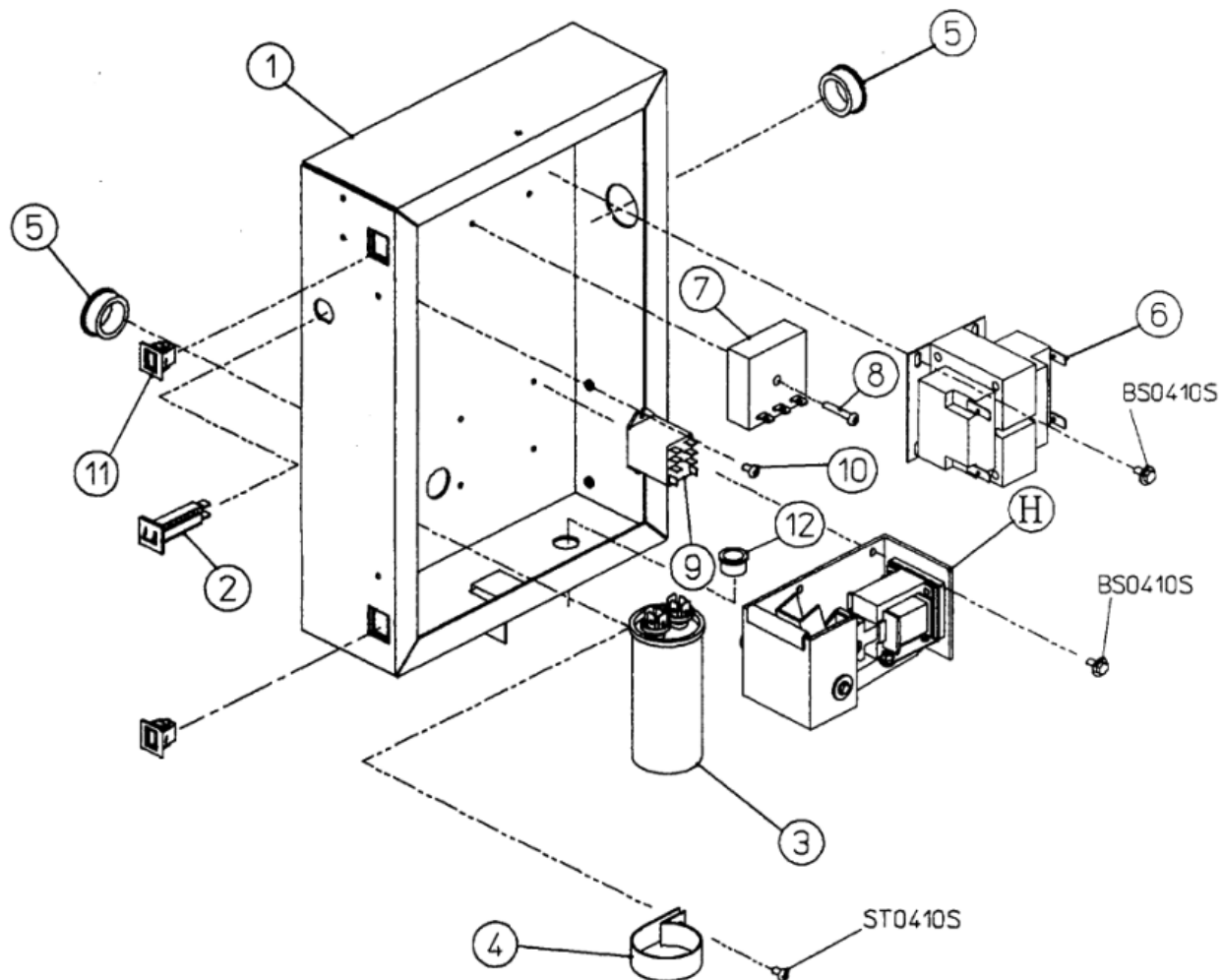
MODEL: DM-180A8 TITLE: B. MECHANISM ASSEMBLY									
INDEX NO.	DESCRIPTION	MATERIAL OR MODEL NUMBER	PART NUMBER	REQUIRED NUMBER					
				D-1 E-0	E-1				
17	SPROCKET (B)	35 x 65T	435554-01	1	1				
18	KEY	6 x 22	437265-01	1	1				
19	SPOUT (B)	ABS	2A0177-01	1	1				
20	TAPER COLLAR	SS	4H0171-01	2	2				
21	DRIP CUP	ABS	2A0188-01	1	1				
22	INSULATION B	PE	4A0514-01	2	2				
23	SPOUT (A)	ABS	2A0176-01	1	1				
24	THUMBSCREW	ABS	415949G01	4	4				
25	COLLAR-SHUTTER	POM	435533-01	1	1				
26	SHUTTER (A)	AC	2A0178-01	1	1				
27	SHAFT-SHUTTER	SS	328648-02	1	1				
28	SNAP PIN	SSP-6	715S-0006	1	1				
29	DRAIN PANEL MOUNT	GS	2A0273-01	1	1				
30	DRAIN PANEL	SS	2A0278-01	1	1				
31	DRAIN PAN ASSEMBLY.	ABS	2A0312G01	1	1				
32	BRACE (C)	SS	4A0656-01	2	2				
33	BRACKET (B)	GS	3A0393-01	1	1				
34	CHUTE	ABS	1A0064-01	1	1				
35	GUIDE	SS	3A0302G01	1	1				
36	LATCH	8501-00-59	4A0508-03	4	4				
37	BUSHING	SB-1093-13	420470-12	2	2				
38	CHAIN	35 x 142	435797-02	1	1				
39	BRACKET (D)	GS	4A0478-01	2	2				
40	BUSHING	SB-625-8	420470-01	1	1				
41	PAD	ABS	436580-01	1	1				
42	BARRIER (B)	GS	2A0420-01	1	1				
43	WIRE SADDLE	VWS4274-C	4A0338-03	3	3				
44	FRONT INSULATION	PS	3A0416-01	1	1				
45	REAR INSULATION	PS	3A0417-01	1	1				

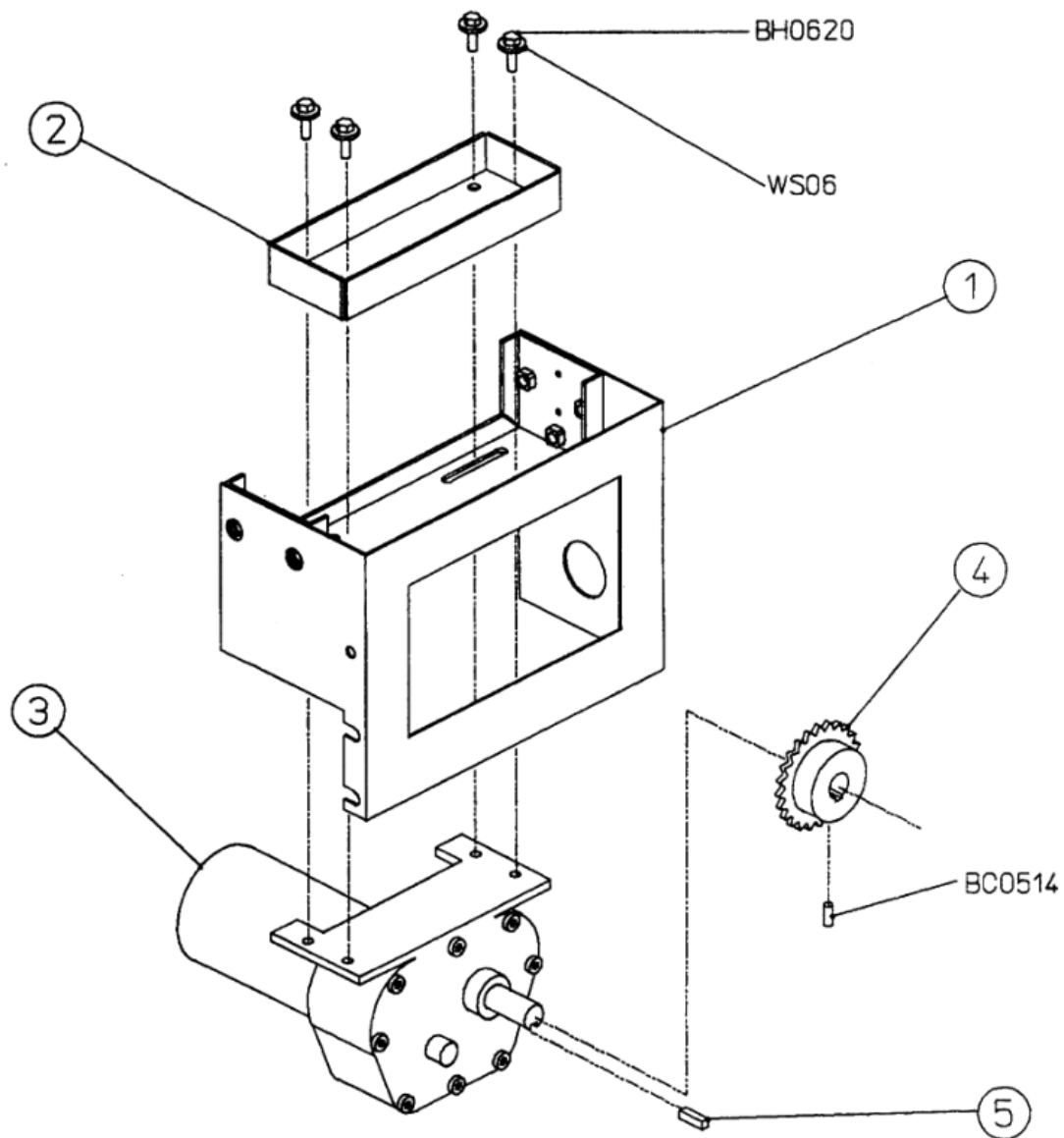


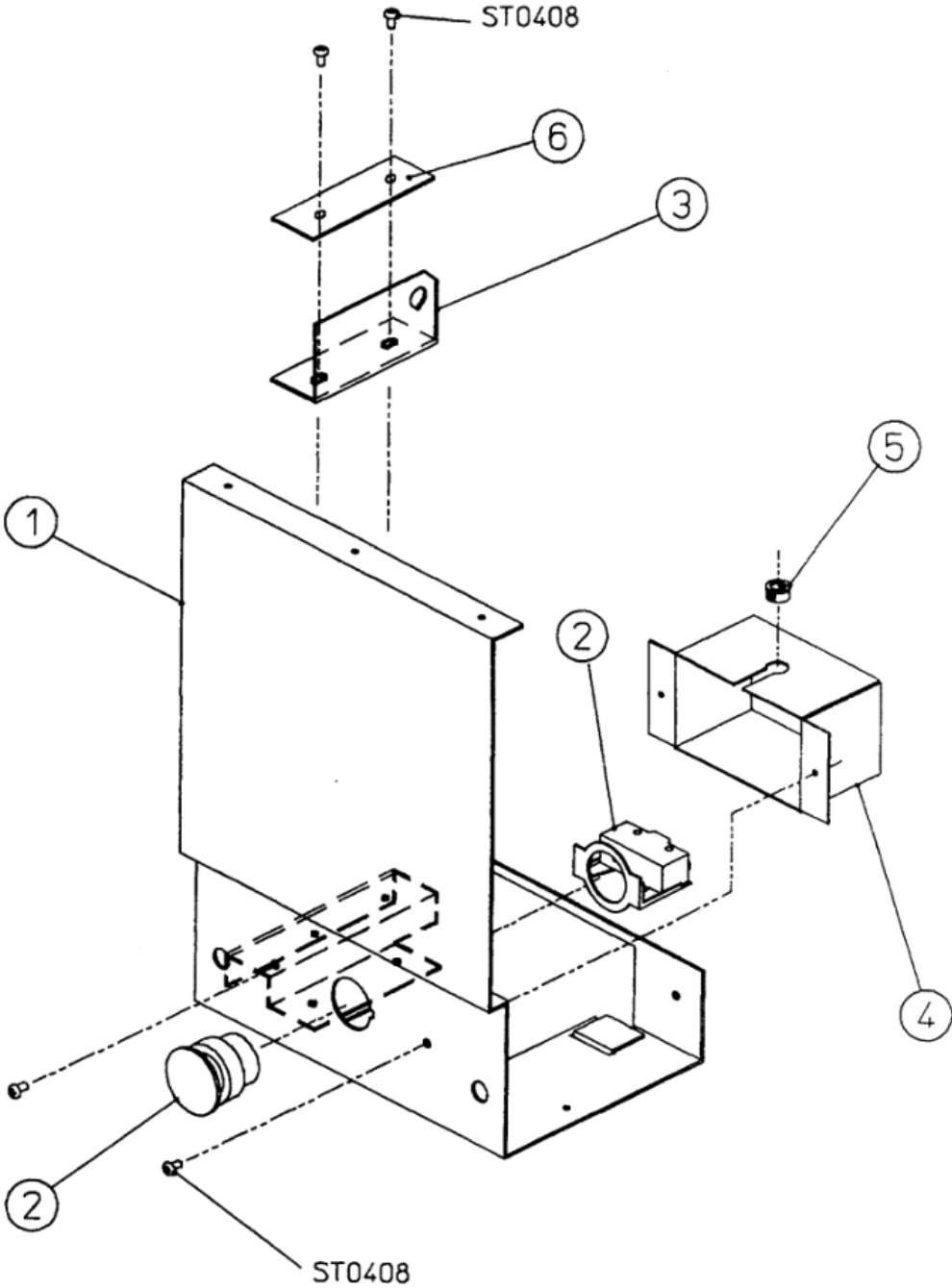


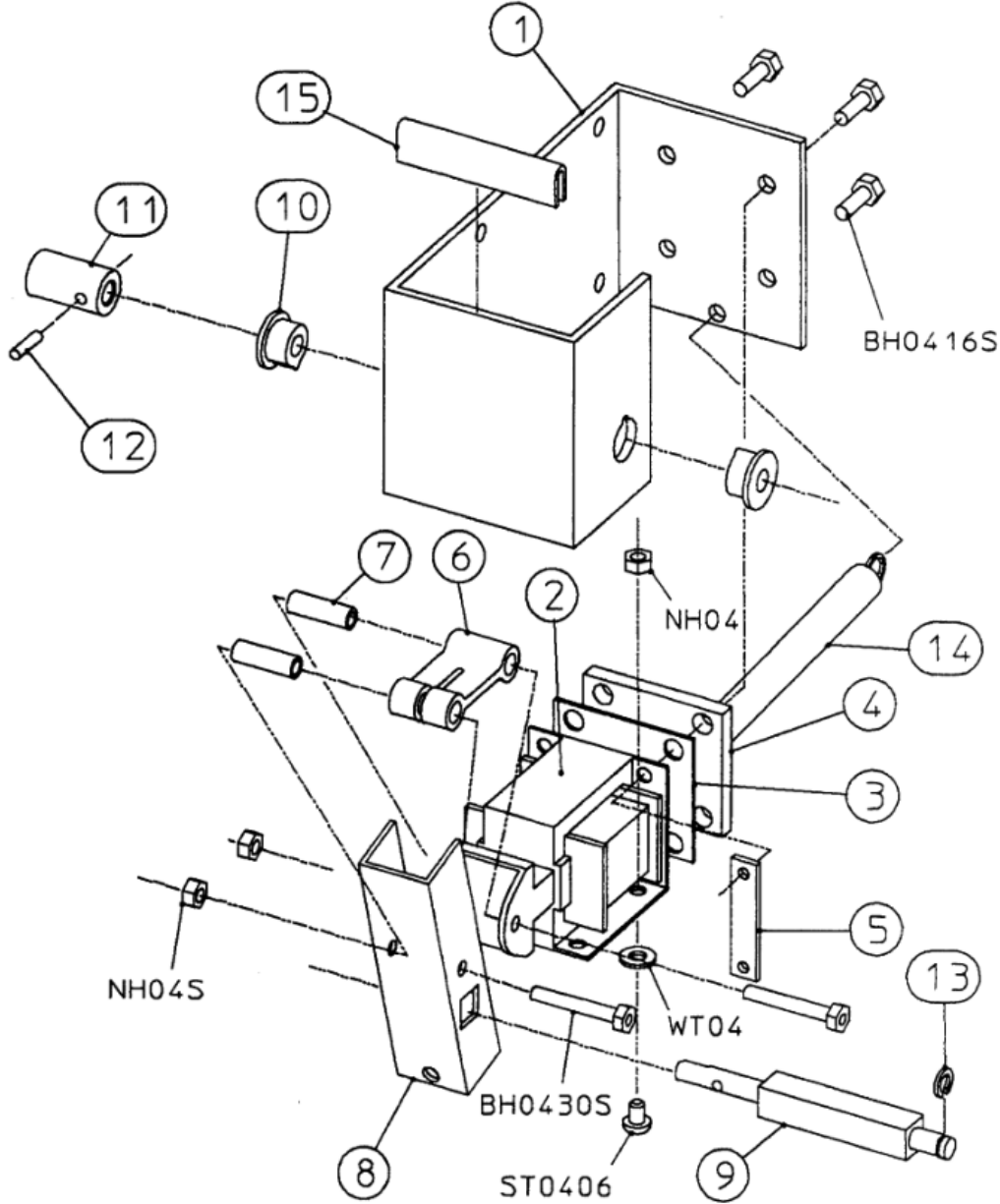


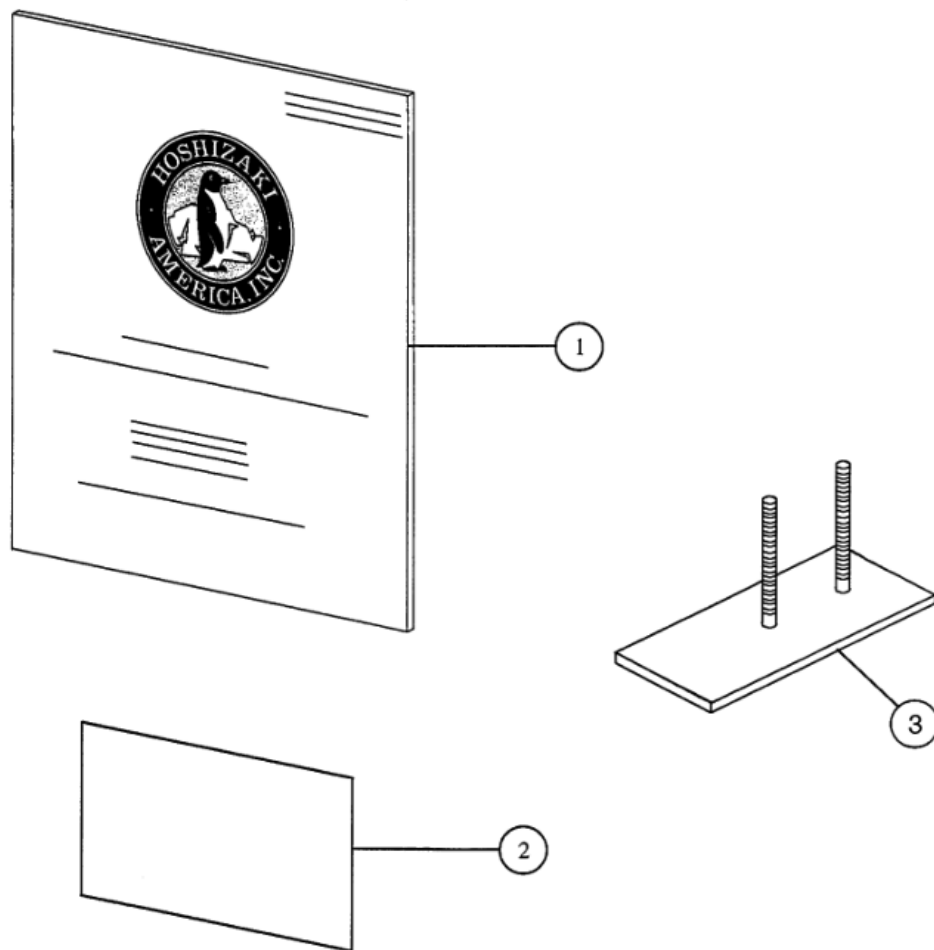












ICE/BEVERAGE DISPENSER

MODEL

DM-180A6

DM-180A8

PARTS LIST

ISSUED: FEB. 10, 1995

REVISED: MAY. 25, 1997

PRINTED: AUG. 18, 1997

ITEM NO: 71122