



**HOSHIZAKI
ICE DISPENSING BIN/
WATER DISPENSER**

**MODEL
DM-90A
PARTS LIST**

MATERIAL ABBREVIATIONS

ALUMINUM

AL = Aluminum

COPPER

CU = Copper

PLASTIC

ABS = Acrylonitrile -butadiene - styrene
 AC = Polyacetal
 EVA = Ethylene vinyl acetate
 PA = Polyamide = Nylon
 PC = Polycarbonate
 PE = Polyethylene
 PES = Polyester
 PETP = Polyethylene terephthalate = Tetlon
 PP = Polypropylene
 PS = Polystyrene
 PIFE = Polytetrafluoroethylene = Teflon
 PUR = Polyurethane
 PVC = Polyvinyl chloride

RUBBER

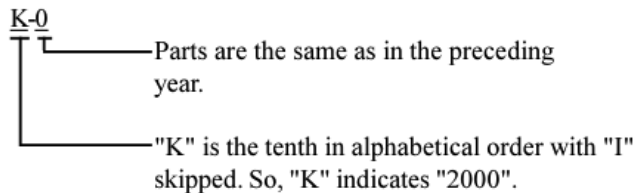
VN = Vinyl Nitrile
 EPDM = EP rubber
 NBR = Nitrile butadiene rubber
 NR = Natural rubber
 NP = Neoprene
 SIR = Silicone rubber
 SYR = Synthetic rubber
 EPH = Epichlorohydrin

STEEL

GS = Galvanized steel
 SS = Stainless steel
 PS = Plated steel
 PAS = Primed steel

AUXILIARY CODE

Ex.1

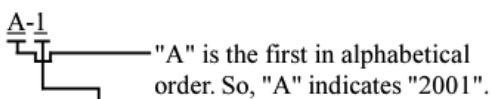


(Note) - = Part deleted.

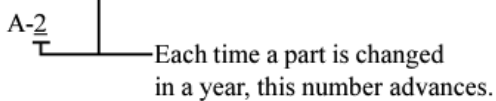
x = Part deleted and replaced by "o" part.

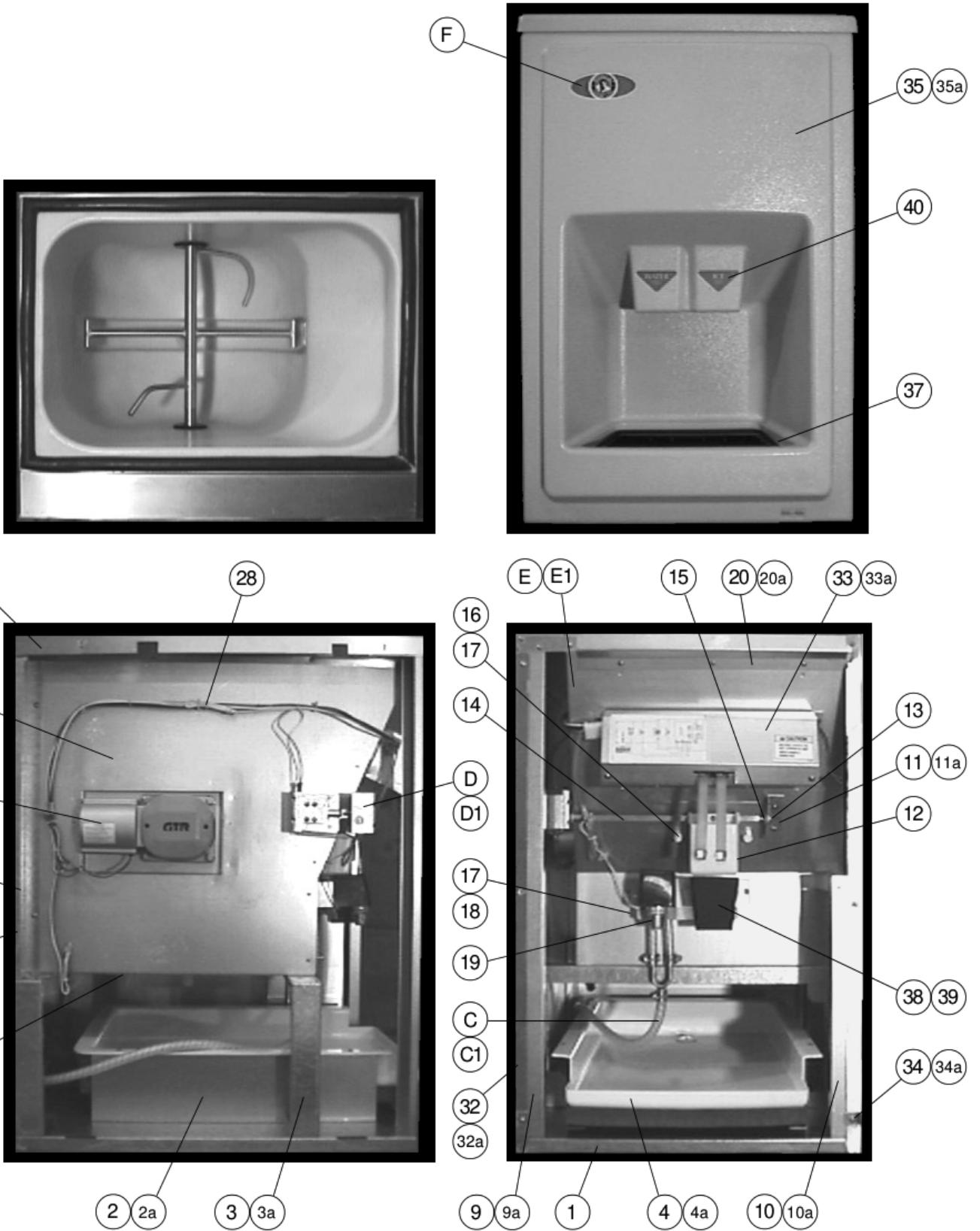
o = New part for "x" in the same auxiliary code.

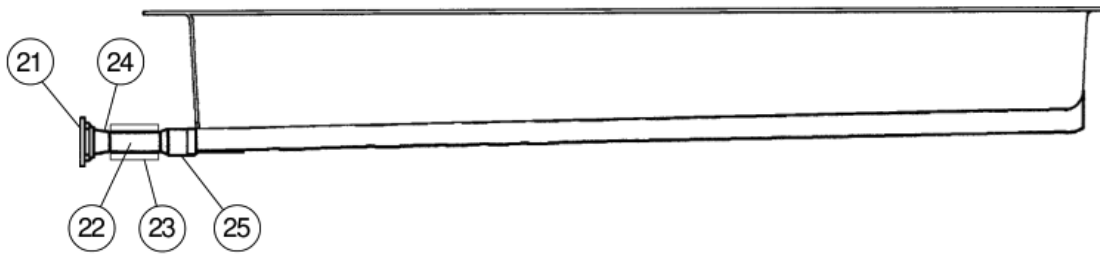
Ex.2



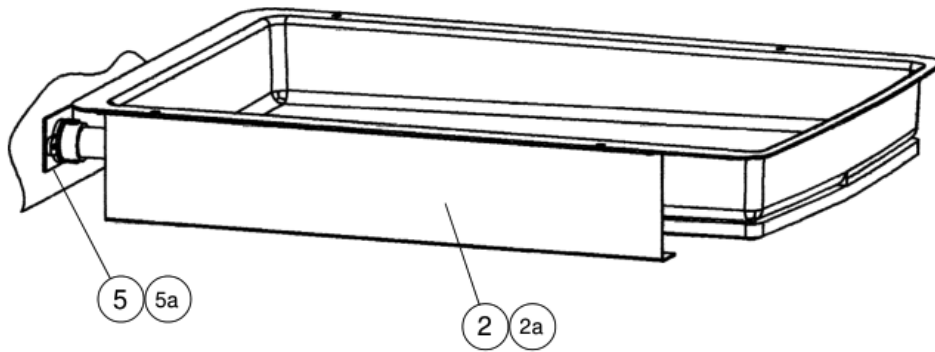
Ex.3



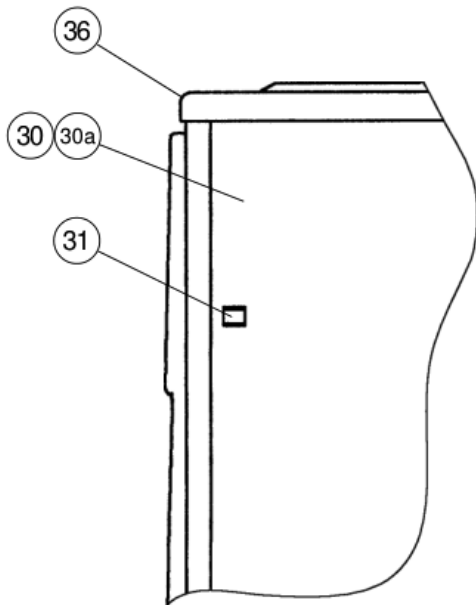




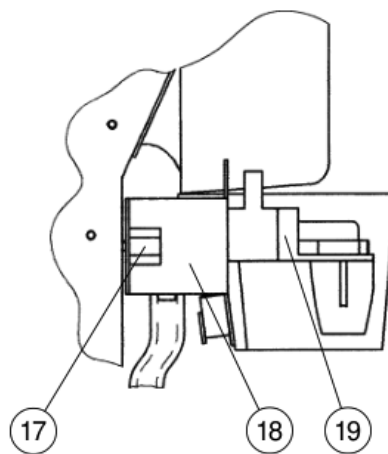
DRAIN PAN SECTION DETAIL



DRAIN PAN ASSEMBLY DETAIL



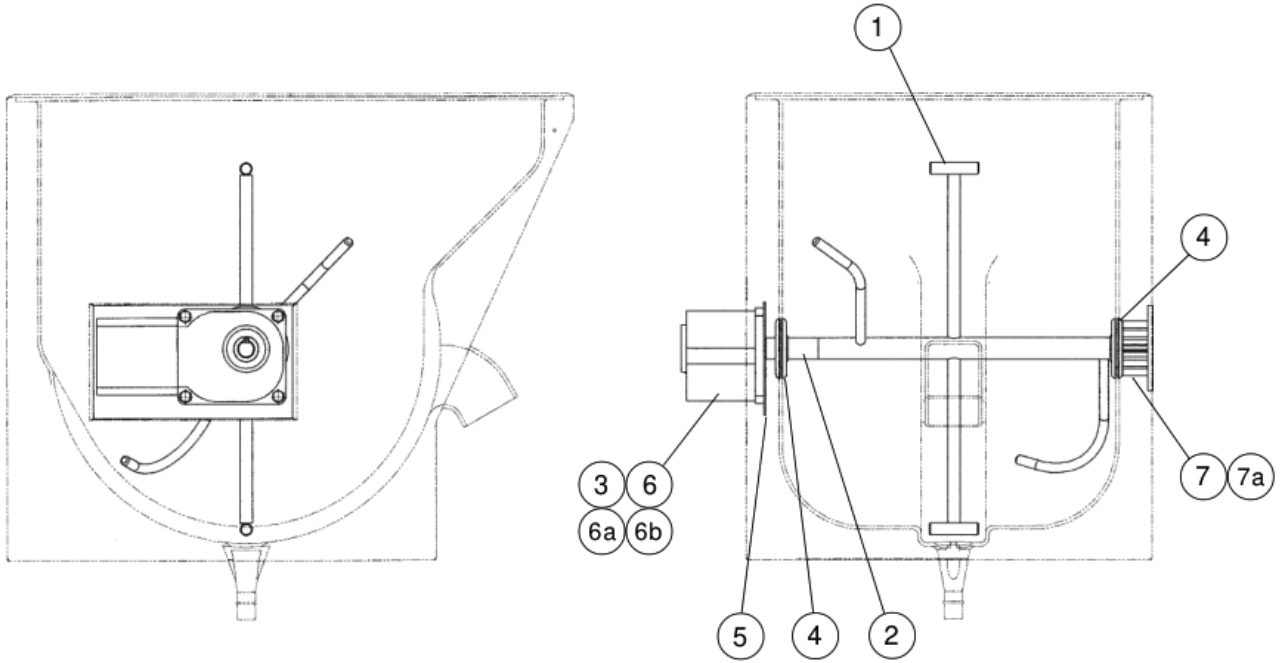
SIDE PANEL DETAIL

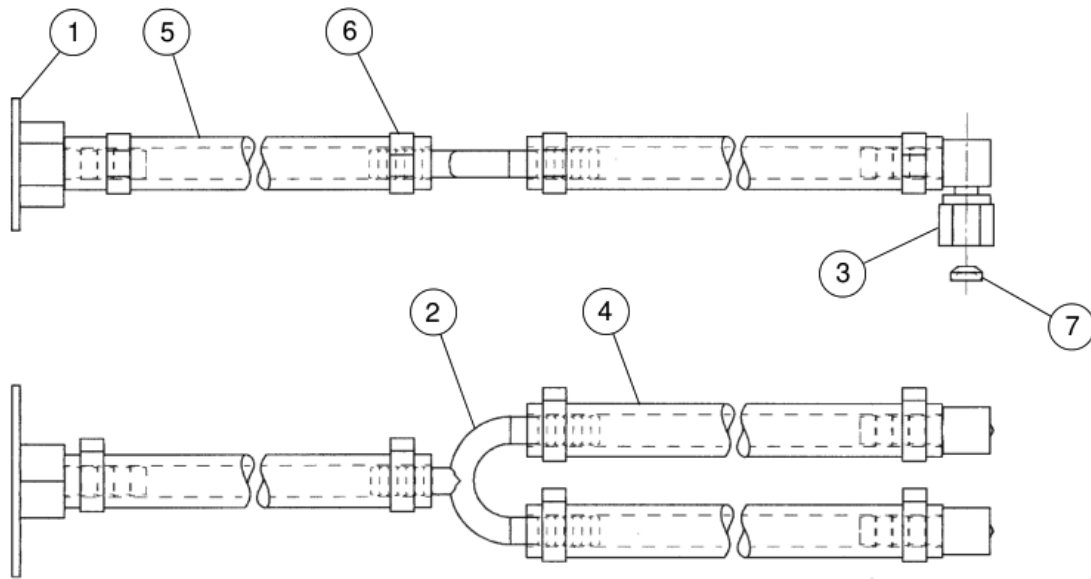


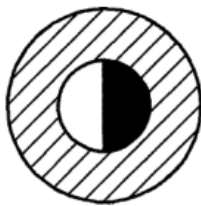
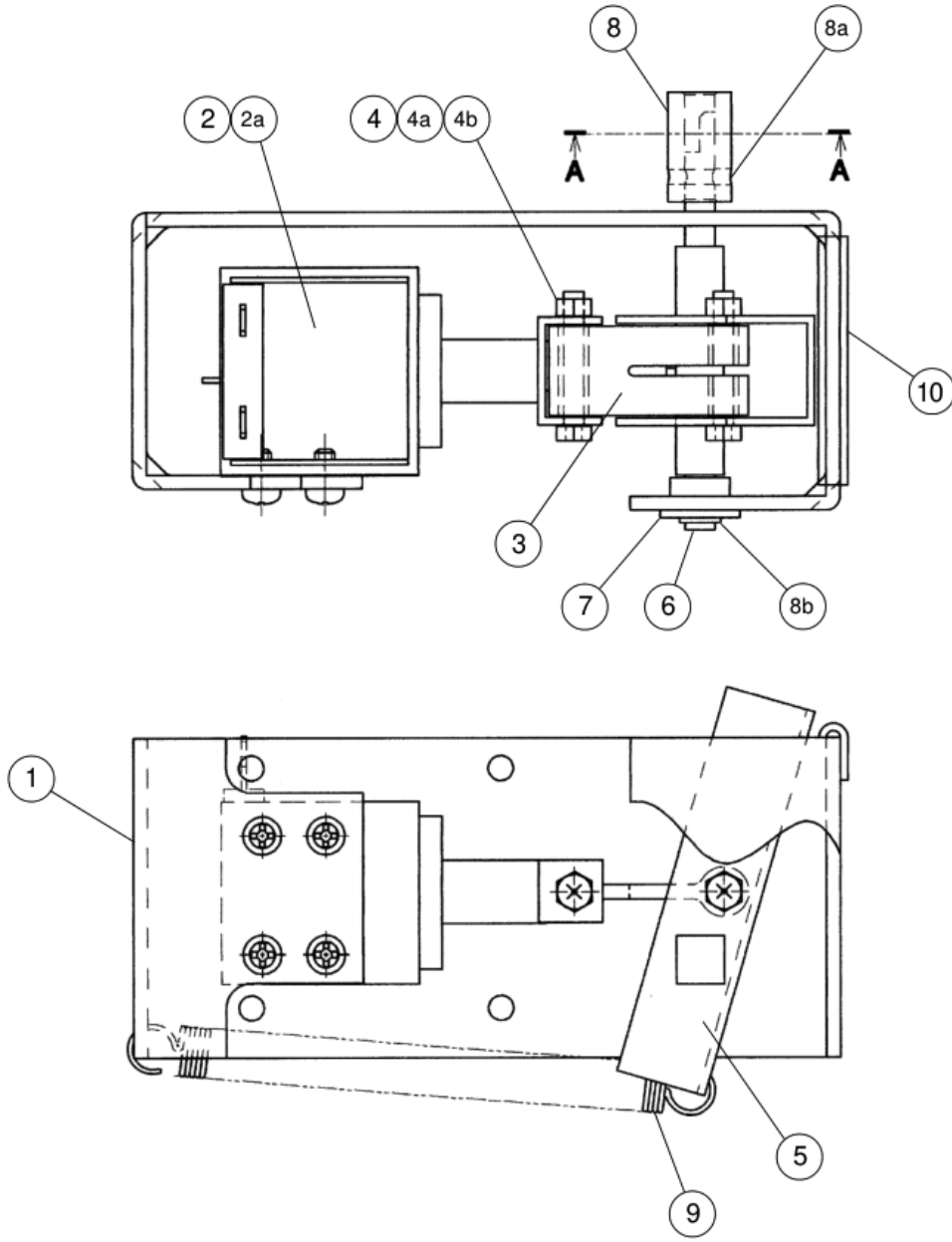
WATER VALVE DETAIL

MODEL: DM-90A TITLE: A. ICE DISPENSER ASSEMBLY									
INDEX NO.	DESCRIPTION	MATERIAL OR MODEL NUMBER	PART NUMBER	REQUIRED NUMBER					
				J-0					
B	DRIVE ASSY	-	1A0181A01	1					
C	WATER CIRCUIT	-	3A0760G01	1					
C1	FT SCREW	4X8	7F31-0408	2					
D	SOLENOID ASSY	-	2A0881A01	1					
D1	HEX HEAD BOLT W/WASHER (LF)	4X10, SS	7B02-0410	4					
E	CONTROL BOX ASSY	-	2A1593A01	1					
E1	T2 SCREW	4X8	7P31-0408	4					
F	LABEL LOCATION	-	3A0814A01	1					
1	BASE	GS	2A0805G01	1					
2	DRAIN PAN BRKT	GS	3A0747G01	2					
2a	FT SCREW	4X8, SS	7F32-0408	4					
3	BASE FRAME	GS	3A0754G01	2					
3a	HEX HEAD BOLT	6X12	7B02-0612	8					
4	DRAIN PAN ASSY	ABS	2A1684G01	1					
4a	TRUSS HEAD SCREW	4X10, SS	7C32-0410	4					
5	PAD	ABS	436580-01	1					
5a	TRUSS HEAD SCREW	5X12, SS	7C32-0512	2					
6	BIN ASSY	-	2A0814G01	1					
6a	HEX HEAD BOLT	8X20	7B01-0820	4					
6b	SPLIT LOCK WASHER	8	7L21-0800	4					
6c	WASHER	8	7W21-800	4					
7	REAR FRAME	GS	3A0753-01	1					
7a	FT SCREW	4X8	7F31-0408	4					
8	TOP FRAME	GS	3A0748-01	1					
8a	FT SCREW	4X8	7F31-0408	4					
9	FRONT FRAME (A)	GS	2A0818-01	1					
9a	FT SCREW	4X8	7F31-0408	4					
10	FRONT FRAME (B)	GS	3A0749-01	1					
10a	FT SCREW	4X8	7F31-0408	4					
11	COLLAR BRACKET	GS	4A1154-01	1					

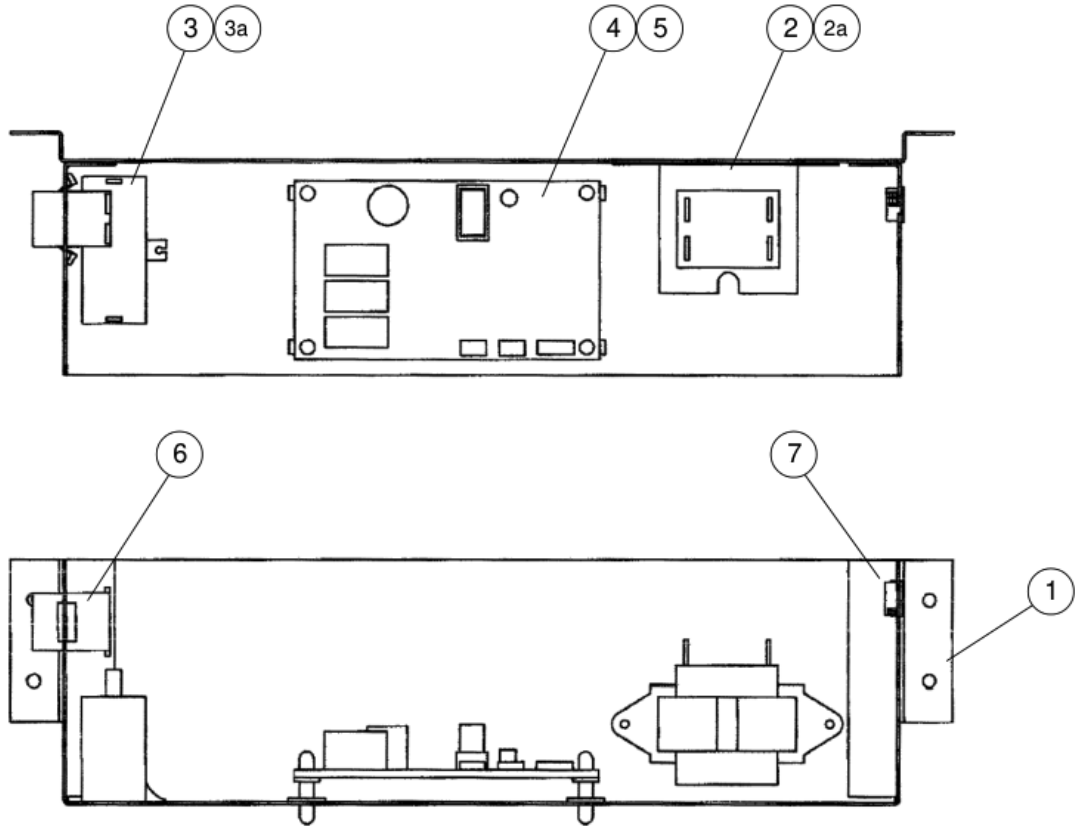
MODEL: DM-90A TITLE: A. ICE DISPENSER ASSEMBLY										
INDEX NO.	DESCRIPTION	MATERIAL OR MODEL NUMBER	PART NUMBER	REQUIRED NUMBER						
				J-0	K-0					
11a	FT SCREW	4X8	7F31-0408	2						
12	SHUTTER (A)	-	3A0756-01	1						
13	COLLAR SHUTTER	-	435533-01	1						
14	SHUTTER SHAFT	SS	4A1156-01	1						
15	SNAP PIN	SSP-6, SS	7155-0006	1						
16	FLOW RATE BRKT	SS	4A1155-01	1						
17	THUMBSCREW	ABS, SS	415949G01	4						
18	DISPENSING BRACKET	SS	3A0943-01	1						
19	WATER VALVE	202-FN-H18-1101	4A1225-01	1						
20	ANGLE (A)	GS	3A0750-01	1						
20a	T2 SCREW	4X8	7P31-0408	3						
21	FITTING DRAIN	-	438729-01	1						
22	DRAIN HOSE	EPDM	436315-03	1						
23	INSULATION TUBE	L=105	7762-2943	1						
24	HOSE CLAMP	HC1031	4A2017-02	1						
25	HOSE CLAMP	HC1250	4A2017-03	1						
26	POWER SUPPLY CORD	-	4A1773-01	1						
27	BUSHING	SR-4K-4	420472-01	1						
28	WIRE SADDLE	VWS4274-C	4A0338-03	6						
29	REAR PANEL	GS	2A0821-01	1						
29a	FT SCREW	4X8, SS	7F32-0408	1						
30	SIDE PANEL (R)	SS	2A0823G01	1						
30a	FT SCREW	4X8, SS	7F32-0408	7						
31	ROCKER SWITCH	1801.1102	4A0418-01	1						
32	SIDE PANEL (L)	SS	2A0822G01	1						
32a	FT SCREW	4X8, SS	7F32-0408	7						
33	CONTROL BOX COVER	GS	3A1258-01	1						
33a	T2 SCREW	4X8	7P31-0408	2						
34	FRONT PANEL BRACKET (C)	GS	4A0334-01	2						
34a	FT SCREW	4X8	7F31-0408	2						

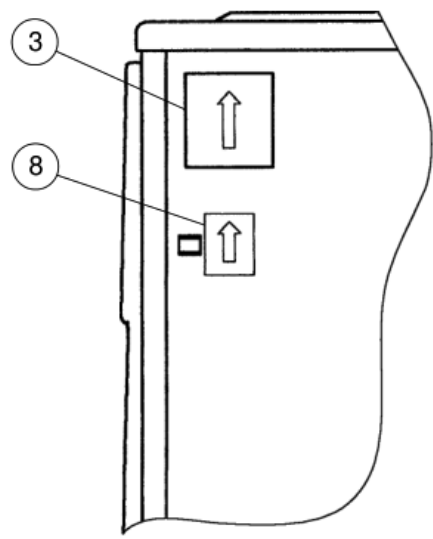
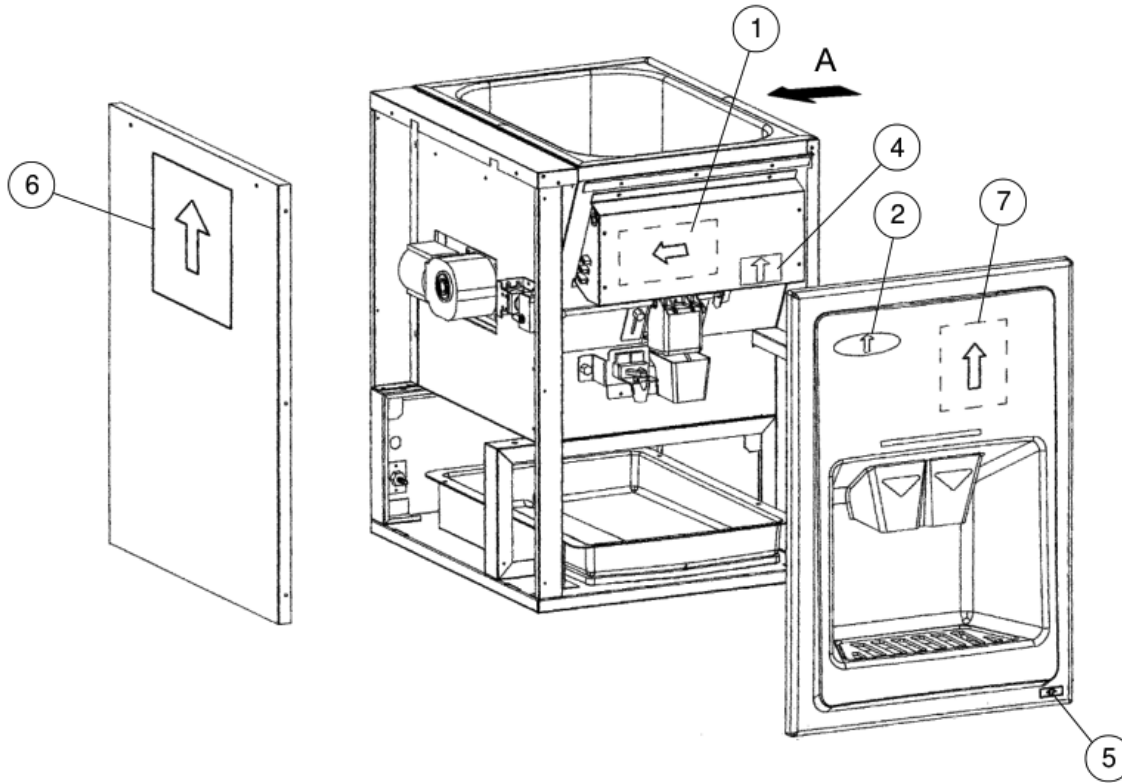






MODEL: DM-90A TITLE: D. SOLENOID ASSY									
INDEX NO.	DESCRIPTION	MATERIAL OR MODEL NUMBER	PART NUMBER	REQUIRED NUMBER					
				J-0					
1	SOLENOID BRACKET	GS	3A0795-01	1					
2	SOLENOID	D-4HD	4A1939-01	1					
2a	TRUSS HEAD SCREW	8-32X8	7C3110831	4					
3	LINK	AC	432232-01	1					
4	COLLAR (D)	SS	432471-01	2					
4a	HEX HEAD BOLT	4X30, SS	7B02-0430	2					
4b	SELF LOCKING NUT	M4, SS	7N22-0400	2					
5	LINK SOLENOID	SS	4A1940-01	1					
6	SHAFT	SS	435532-01	1					
7	COLLAR-SHUTTER		435533-01	2					
8	CONNECTOR	SS	435534-01	1					
8a	SPRING PIN	3X12, SS	712S-0312	1					
8b	"E" RING	M5, SS	7215-0005	1					
9	SPRING	SS	432878-01	1					
10	RUBBER GASKET	CH-35	4A0662L01	1					





VIEW A

