

Hoshizaki America, Inc.

Cubelet Icemaker/Dispenser

Model
DT-400BAH-OS



“A Superior Degree
of Reliability”

www.hoshizaki.com

PARTS LIST



Number: 71273
Issued: 1-20-2011

CONTENTS

Auxiliary Codes.....	3
Note About Ordering Parts	3
Material Abbreviations	4
A. Flaker Dispensing Assembly	5
B. Ice Flaker Assembly	8
C. Dispenser Assembly.....	12
D. Water Circuit - Dispense	15
E. Cabinet Stand Assembly	19
F. Label Location.....	21
G. Refrigeration Circuit	23
H. Water Circuit - Ice Making	27
J. Ice Making Unit	29
K. Control Box Assembly.....	30
L. Middle Front Frame Assembly.....	33
M. Apron Panel Assembly	34
N. Bin Assembly.....	35
P. Gear Motor Assembly - Agitate.....	37
Q. Gear Motor Assembly - Dispense	38
R. Shutter Assembly	39
S. Evaporator Unit.....	41
T. Accessories and Packaging	43

Auxiliary Codes

DT-400BAH-OS	S-0	July 2007
	T-0	March 2008
	V-1	June 2010
	V-2	December 2010
	A-0	January 2011

Auxiliary Code Breakdown

The auxiliary code is the first two characters in the serial number. The first character indicates the year. Years progress or regress in alphabetical order. The series runs from "A" through "V" and the letters "I" and "O" are skipped. The second character indicates significant part changes within a year. Base is "0" and this number advances for each change. In cases where there is a letter in parentheses, this designates the month. This is the last character in the serial number. The series runs from "(A)" through "(M)" and the letter "(I)" is skipped. This designation is only included when identifying a parts change within an auxiliary code.

Note About Ordering Parts

Most assemblies cannot be ordered as complete units; parts in the assemblies generally must be ordered separately.

Material Abbreviations

ALUMINUM

AL = Aluminum

COPPER

CU = Copper

PLASTIC

ABS = Acrylonitrile -butadiene - styrene
AC = Polyacetal
EVA = Ethylene vinyl acetate
PA = Polyamide = Nylon
PC = Polycarbonate
PE = Polyethylene
PES = Polyester
PETP = Polyethylene terephthalate = Tetlon
PP = Polypropylene
PS = Polystyrene
PTFE = Polytetrafluoroethylene = Teflon
PUR = Polyurethane
PVC = Polyvinyl chloride

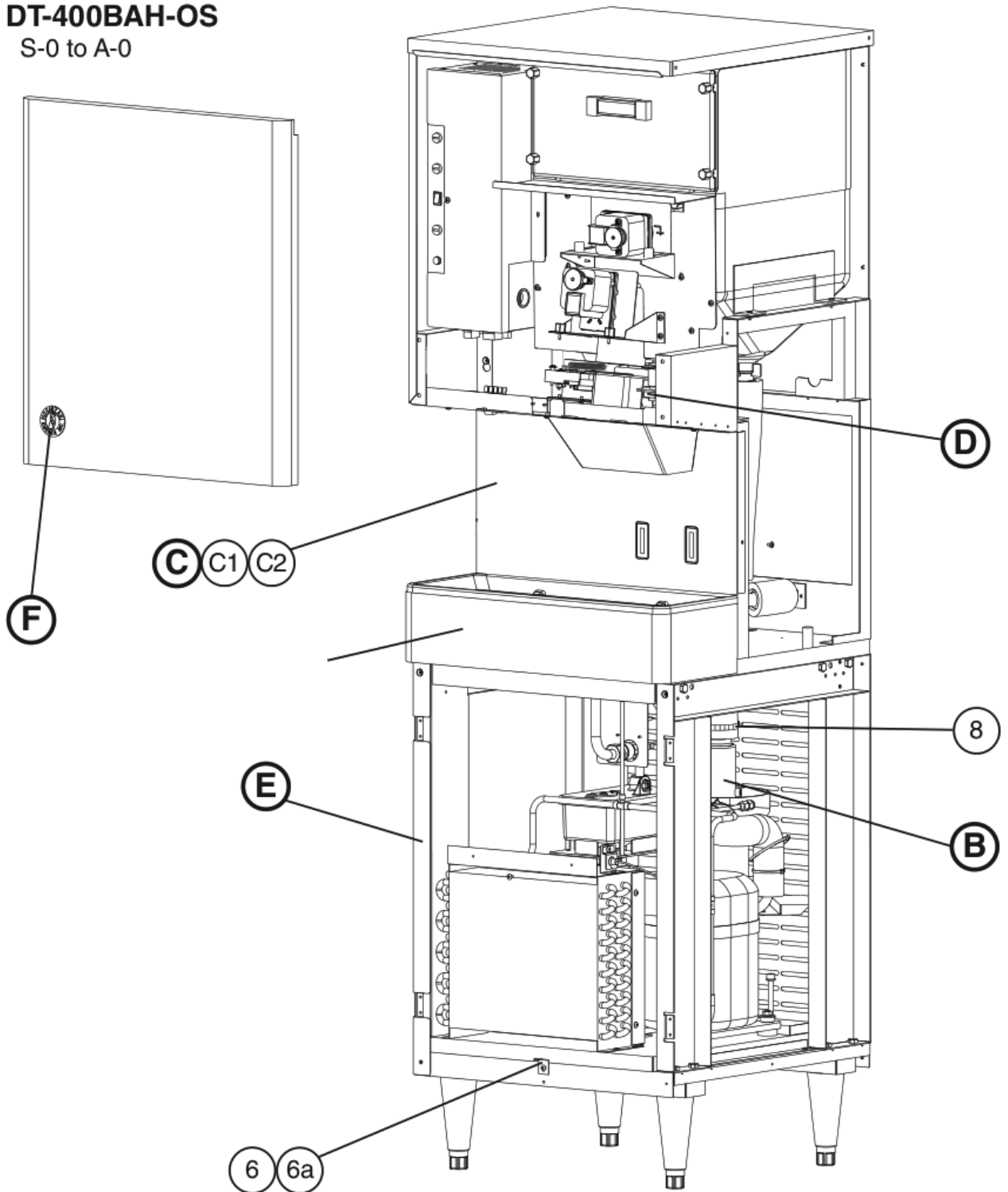
RUBBER

VN = Vinyl Nitrile
EPDM = EP rubber
NBR = Nitrile butadiene rubber
NR = Natural rubber
NP = Neoprene
SI.R = Silicone rubber
SY.R = Synthetic rubber
EPH = Epichlorohydrin

STEEL

GS = GSanized steel
SS = Stainless steel
PS = Plated steel
PAS = Primed steel

A. Flaker Dispensing Assembly
1/2
DT-400BAH-OS
S-0 to A-0



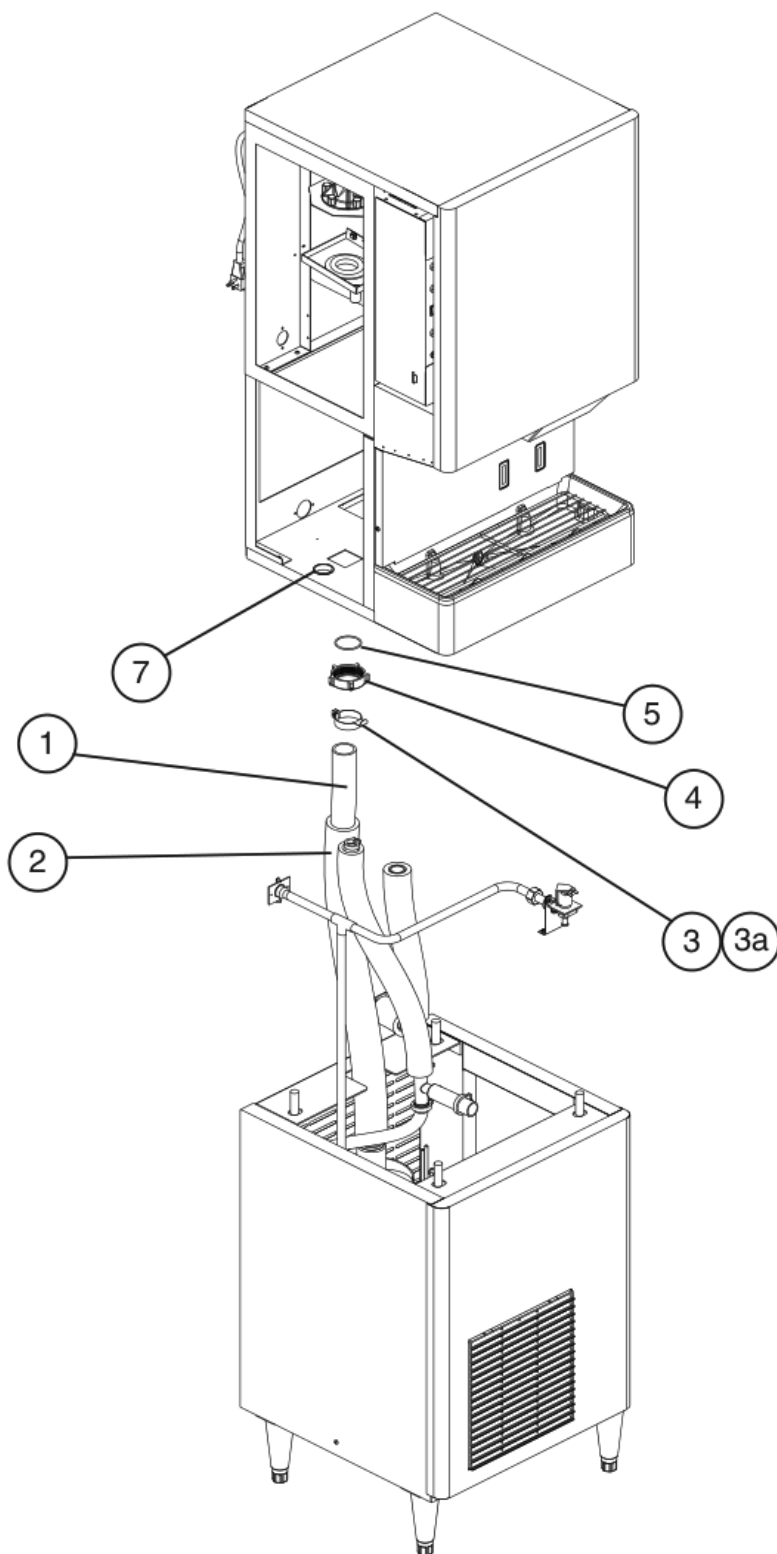
Note: For panels, see "C. Dispenser Assembly" and "E. Cabinet Stand Assembly".

A. Flaker Dispensing Assembly

2/2

DT-400BAH-OS

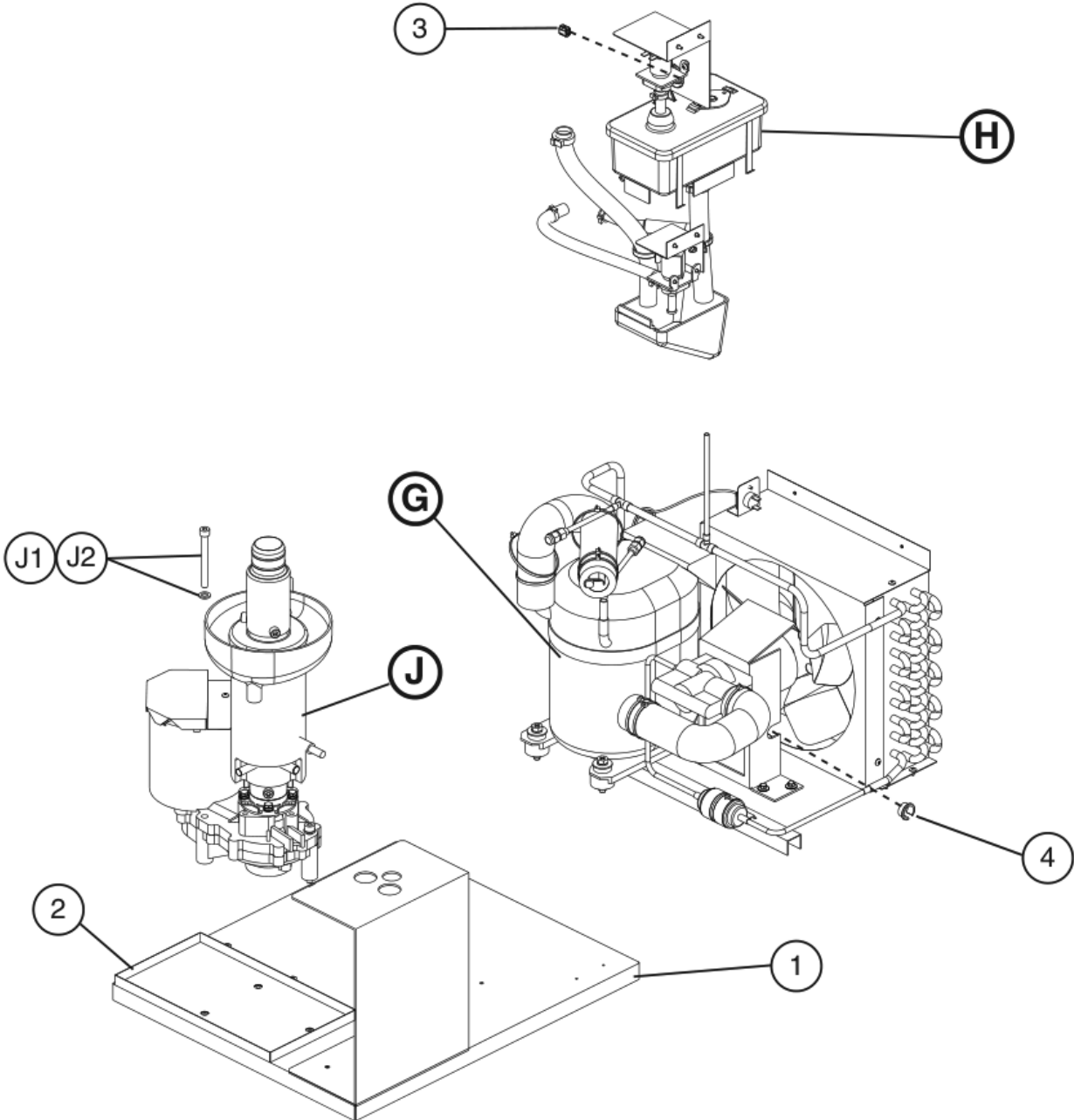
S-0 to A-0



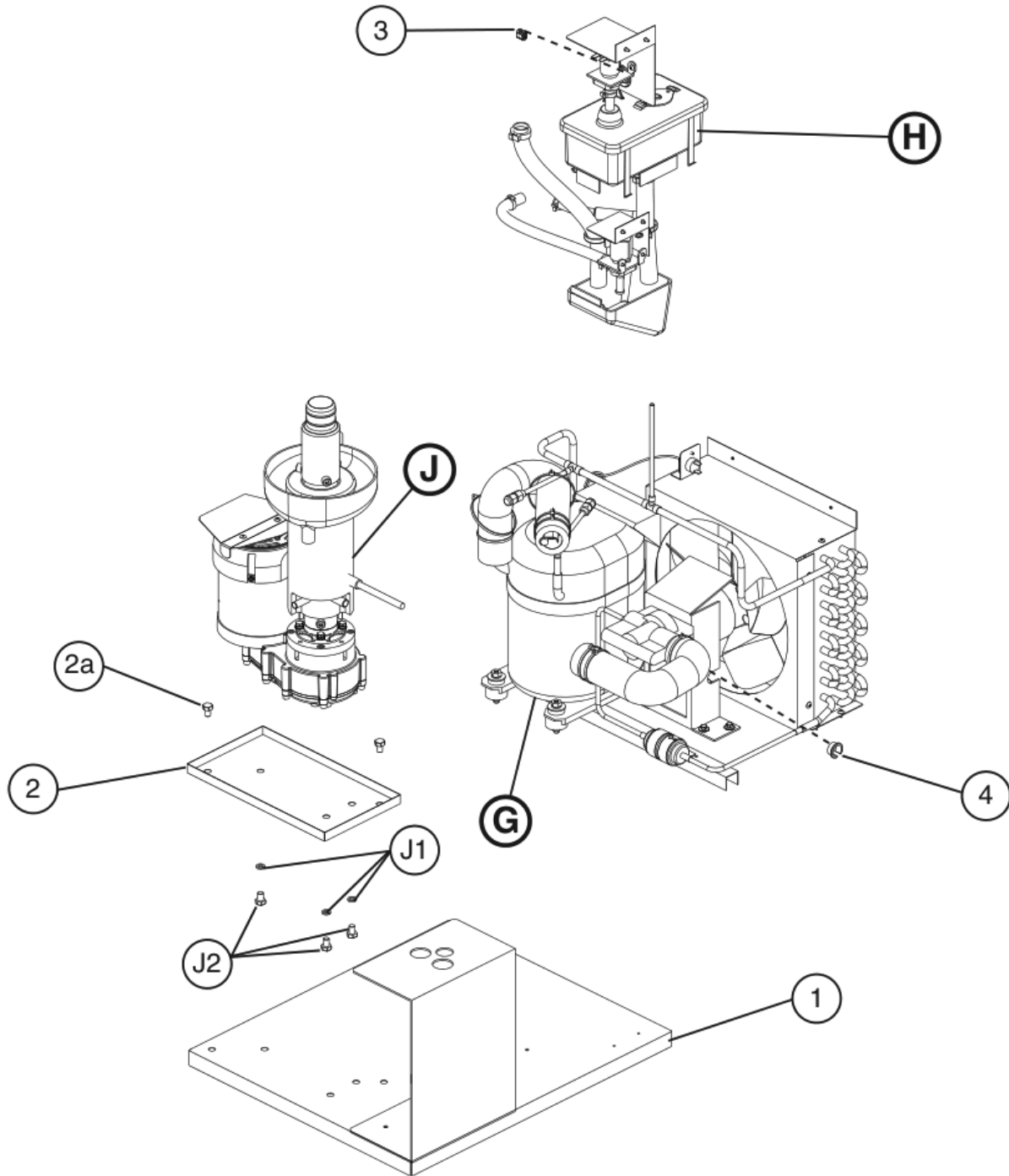
Note: For panels, see "C. Dispenser Assembly" and "E. Cabinet Stand Assembly".

Title: A. Ice Flaker Assembly Model: DT-400BAH-OS										
Index No.	Description	Material or Model Number	Part Number	Required Number						
				S-0	T-0	V-1 to A-0				
B	Ice Flaker Assembly	-	2A4216A01	1	-					
			2A4507A01		1	-				
			2A6037A01			1				
C	Dispenser Assembly	-	1A1258A01	1	-					
			1A1493A01		1	-				
			1A2039A01			1				
C1	Flat Washer	5/8"	7W2115800	4	4	4				
C2	Hex Bolt	5/8-11UNCx1 1/4"	7B0115810	4	4	4				
D	Water Circuit-Dispense	-	2A4102A01	1	-					
			2A4520A01		1	1				
E	Cabinet Stand Assembly	-	2A4121A01	1	-					
			2A4511A01		1	1				
F	Label Location	-	2A4188A01	1	-					
			2A4522A01		1	-				
			2A6040A01			1				
1	Reinforced Hose	L=1090	4A4299-01	1	1	1				
2	Insulation Tube	L=915	4A4289-01	1	1	1				
3	Band (A)	-	4A4178G01	1	-					
			4A4440G01		1	1				
3a	Truss Head Screw	4x12, SS	7C32-0412	1	1	1				
4	Slip Nut	-	3A4339-01	1	1	1				
5	"O"-Ring	-	4A4298-01	1	1	1				
6	Strap	-	4A4301-01	1	1	1				
6a	FT Screw	4x8, SS	7F32-0408	1	1	1				
7	Bushing	SB-1500-21	420470-06	2	2	2				
8	Clamp	-	4A2532-01	1	1	1				

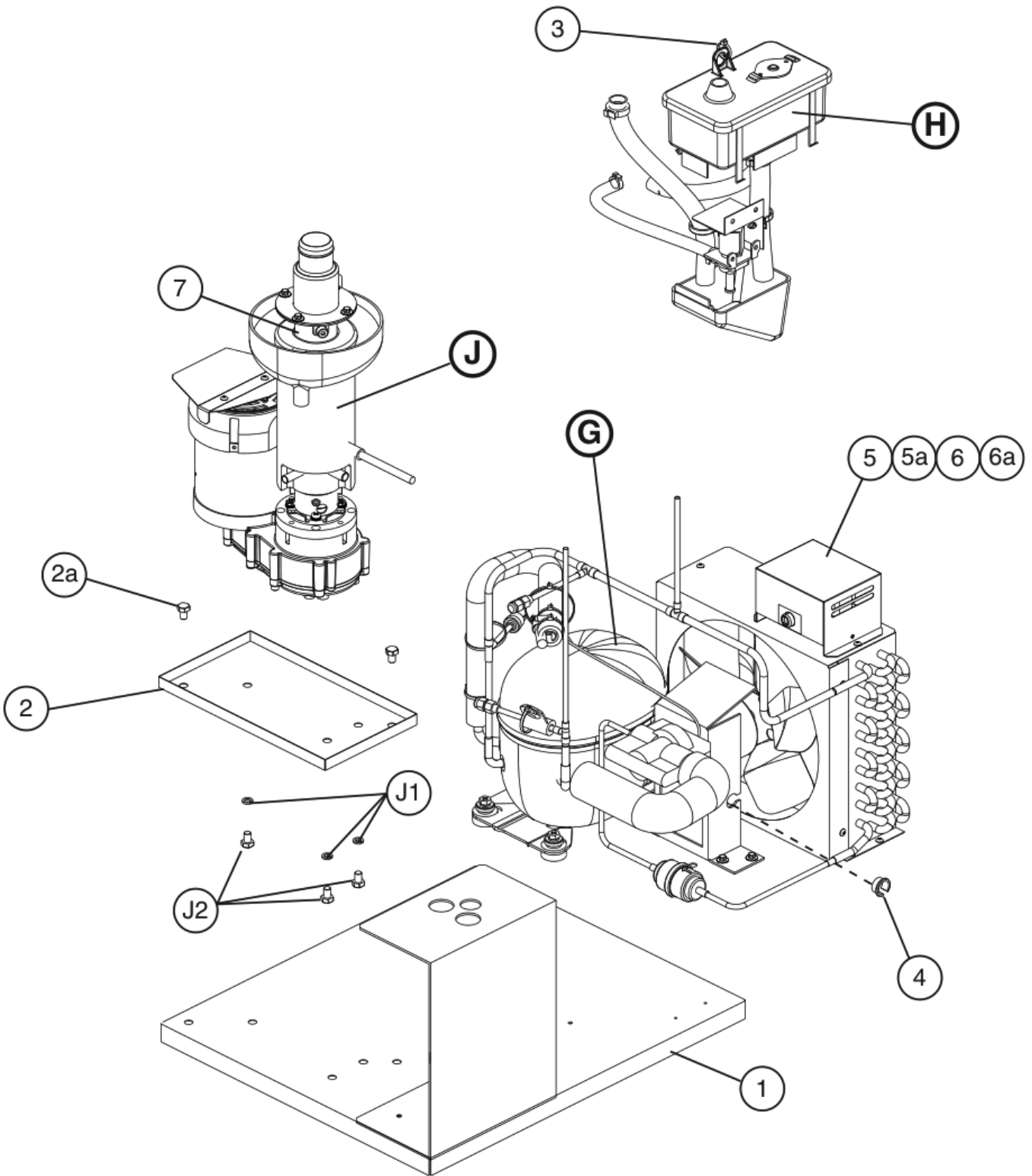
B. Ice Flaker Assembly
DT-400BAH-OS
S-0



B. Ice Flaker Assembly
DT-400BAH-OS
T-0

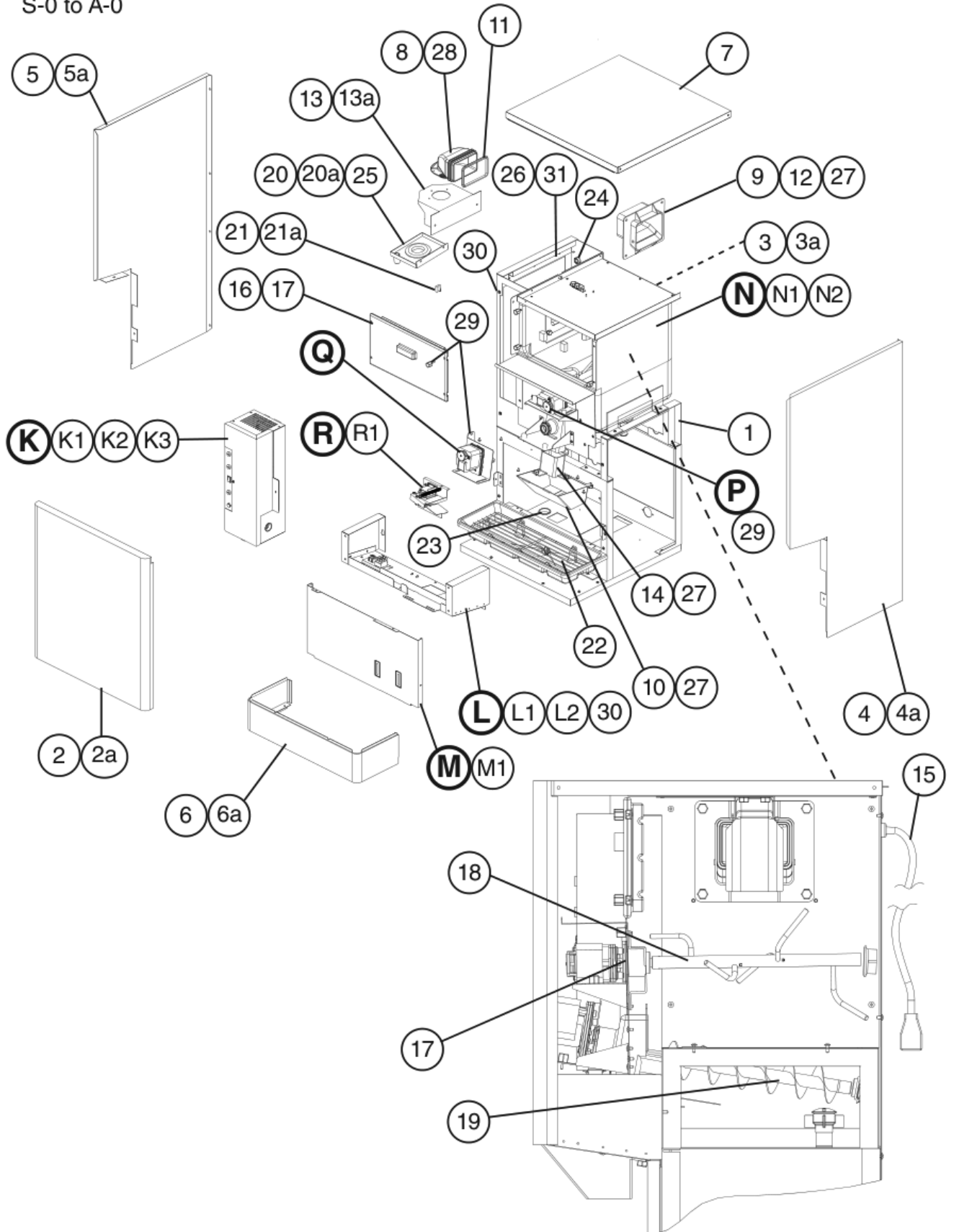


B. Ice Flaker Assembly
DT-400BAH-OS
V-1 to A-0



Title: B. Ice Flaker Assembly Model: DT-400BAH-OS											
Index No.	Description	Material Or Model Number	Part Number	Required Number							
				S-0	T-0	V-1 to A-0					
G	Refrigeration Circuit	-	2A1870A01	1	-						
			2A4508A01		1	-					
			2A6041A01			1					
H	Water Circuit-Icemaking	-	2A1874A01	1	-						
			2A4509A01		1	1					
J	Ice Making Unit	-	3A1830A01	1	-						
			3A4720A01		1	-					
			3A6046A01			1					
J1	Split Lock Washer	M8, SS	7L22-0800	3	3	3					
J2	Socket Hex Head Bolt	8x80, SS	7S12-0880	3	-						
	Hex Head Bolt	8x12	7B02-0812		3	3					
1	Base-(A)	-	2A1863G01	1	-						
			2A4506G01		1	1					
2	Drain Pan	-	4A2576-01	1	-						
			4A4435-01		1	1					
2a	Hex Head Bolt	8x12	7B02-0812		2	2					
3	Bushing	SR-30-1	420472-03	1	1	-					
	Cable Tie	-	8911-0100			1					
4	Bushing	OCB-875	428394-04	1	-						
		OCB-750	428394-01		1	1					
5	Transformer Box (includes items 6 and 6a)	-	2A6048A01			1					
5a	T2 Screw	4x8	7P31-0408			1					
6	Transformer (Belt Heater)		4A0557-01			1					
6a	T2 Screw	4x8	7P31-0408			2					
7	Belt Heater	-	4A4375-01			1					

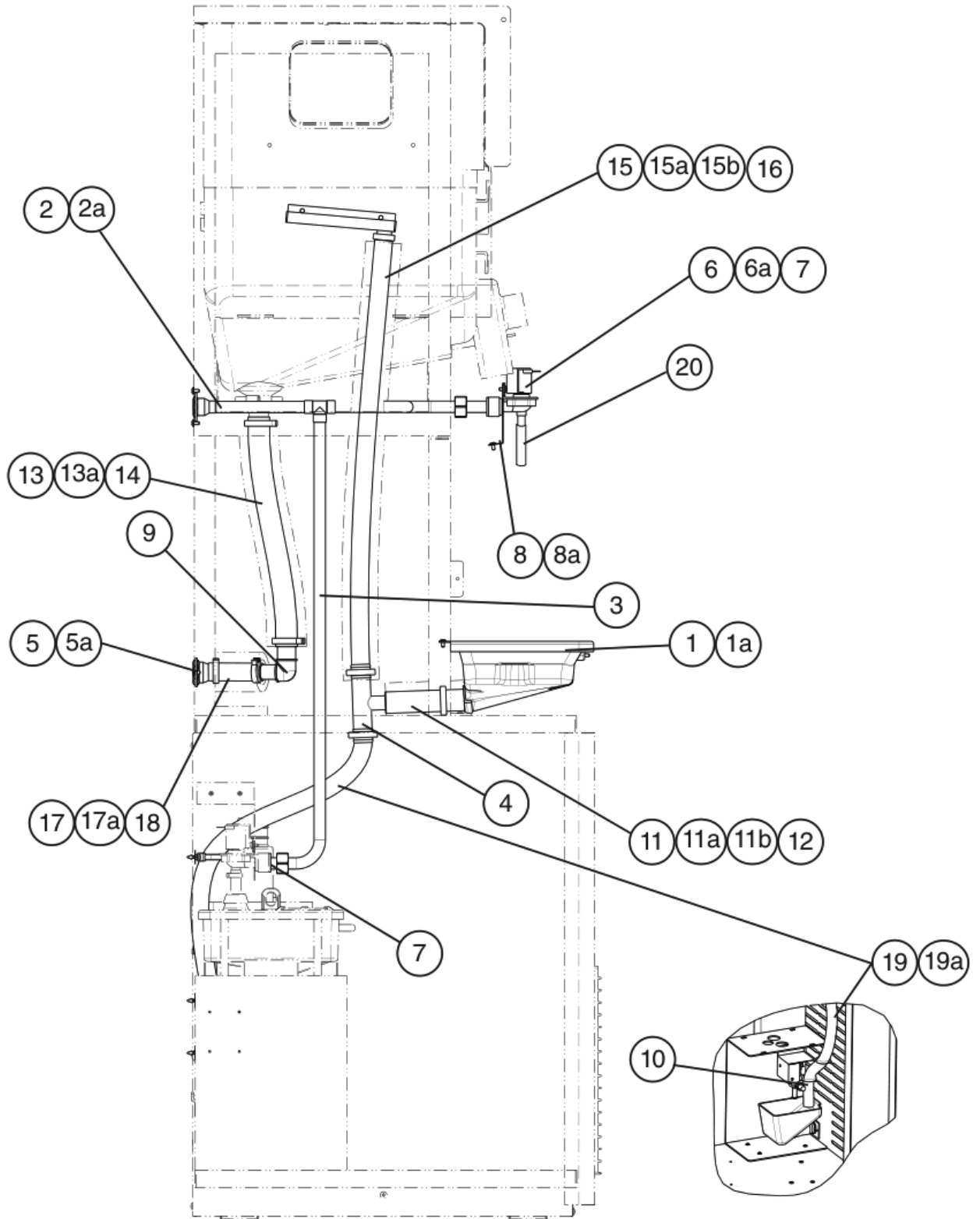
C. Dispenser Assembly
DT-400BAH-OS
 S-0 to A-0



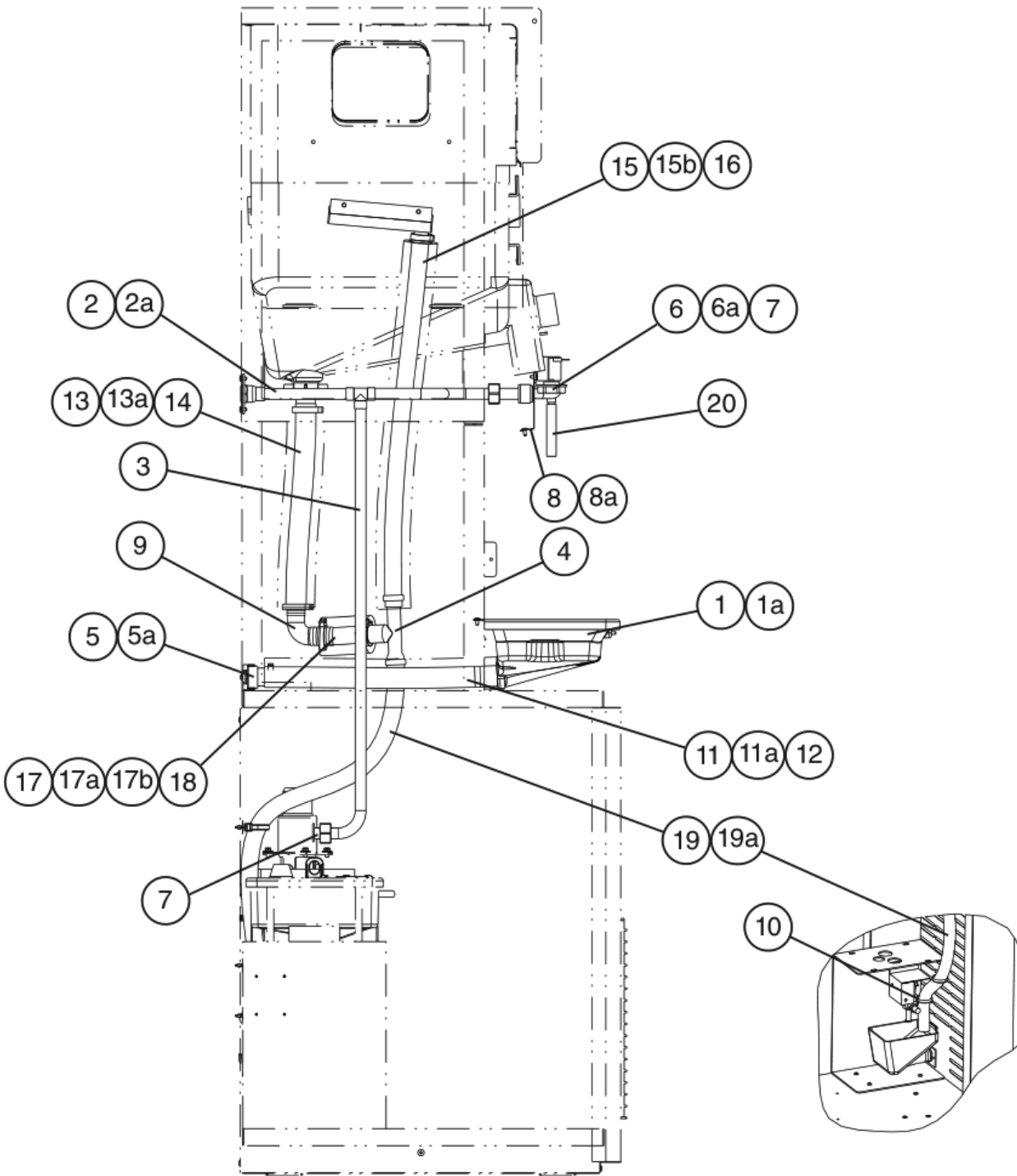
Title: C. Dispenser Assembly Model: DT-400BAH-OS										
Index No.	Description	Material or Model Number	Part Number	Required Number						
				S-0	T-0	V-1 to A-0				
K	Control Box Assembly	-	3A4189A01	1	-					
			3A4726A01		1	-				
			3A6055A01				1			
K1	Truss Head Screw	4x8, SS	7C32-0408	1	1	1				
K2	Flat Head Screw	4x12, SS	7C22-0412	2	2	2				
K3	Taper Collar	SS	4H0171-01	2	2	2				
L	Middle Front Frame Assembly	-	2A3972A01	1	1	1				
L1	Flat Head Screw	4x12, SS	7C22-0412	2	2	2				
L2	Taper Collar	SS	4H0171-01	2	2	2				
M	Apron Panel Assembly	-	3A4183A01	1	1	1				
M1	Truss Head Screw	4x8, SS	7C32-0408	4	4	4				
N	Bin Assembly	-	2A0413A01	1	1	1				
N1	Truss Head Screw	4x12	7C31-0412	2	2	2				
N2	Truss Head Screw	4x8, SS	7C32-0408	3	3	3				
P	Gear Motor Assembly-Agitate	-	4A0620A01	1	1	1				
Q	Gear Motor Assembly-Dispense	-	4A0622A01	1	1	1				
R	Shutter Assembly	-	2A0410A01	1	1	1				
R1	Truss Head Screw	4x8, SS	7C32-0408	2	2	2				
1	Frame	-	2A3967A01	1	-					
			2A4517A01		1	1				
2	Front Panel	-	3A4186G01	1	1	1				
2a	Truss Head Screw	4x8, SS	7C32-0408	1	1	1				
3	Rear Panel	-	2A3989-01	1	1	1				
3a	Truss Head Screw	4x8, SS	7C32-0408	2	2	2				
4	Side Panel (R)	SS	2A2625-01	1	1	-				
			2A6141-01			1				
4a	Truss Head Screw	4x8, SS	7C32-0408	6	6	6				
5	Side Panel (L)	SS	2A2624-01	1	1	-				
			2A6142-01			1				
5a	Truss Head Screw	4x8, SS	7C32-0408	6	5	5				
6	Panel (LO)	-	2A3977G01	1	1	1				
6a	FT Screw	4x8, SS	7F32-0408	6	6	6				
7	Top Panel	-	3A4188G01	1	1	1				
8	Spout	-	2A4108-01	1	1	1				
9	Spout (B)	-	208807-01	1	1	1				
10	Spout Cover	-	215773-01	1	1	1				
11	Packing (A)-Spout	-	427195-01	1	1	1				
12	Packing (B)-Spout	-	427196-01	1	1	1				
13	Spout Flange (A)	-	4A4140-01	1	-					
			4A4446-01		1	1				
13a	Hex Bolt w/Washer (LF)	5x12, SS	7B0230512	2	2	2				
14	Ice Chute	-	4A2204-01	1	1	1				
15	Power Cord	-	4A1543-01	1	1	1				
16	Bin Cover	-	2A0880A02	1	1	1				
17	Gasket	-	429758-01	1	1	2				

Title: C. Dispenser Assembly Model: DT-400BAH-OS											
Index No.	Description	Material or Model Number	Part Number	Required Number							
				S-0	T-0	V-1 to A-0					
18	Agitator	SS	3A0895G01	1	1	1					
19	Auger	SS	339192G01	1	1	1					
20	Drip Pan	-	4A4177G01	1	-						
			4A4439G01		1	1					
20a	Hex Bolt w/Washer (LF)	5x12, SS	7B0230512	2	2	2					
21	Microswitch (Safety Switch)	-	4A2832-01	1	1	1					
21a	Pan Head Screw w/Washer	2.3x10, SS	60NEGI-05	2	2	2					
22	Grill	-	2A4103G01	1	1	1					
23	Bushing	SB-1500-21	420470-06	2	2	2					
24	Bushing	SR-31-2	420472-08	1	1	1					
25	Grommet	-	4A2371-01	1	1	1					
26	Square Washer	Brass	433537-02	1	1	1					
27	Thumbscrew	Black	415949G08	8	8	8					
28	Thumbscrew	Black	415949G11	3	3	3					
29	Thumbscrew	Black	415949G12	10	10	10					
30	Wire Saddle	VWS4238-C	4A0338-02	2	2	2					
31	Grounding Screw	-	433304-02	1	1	1					

D. Water Circuit - Dispense
DT-400BAH-OS
S-0, T-0 (G)



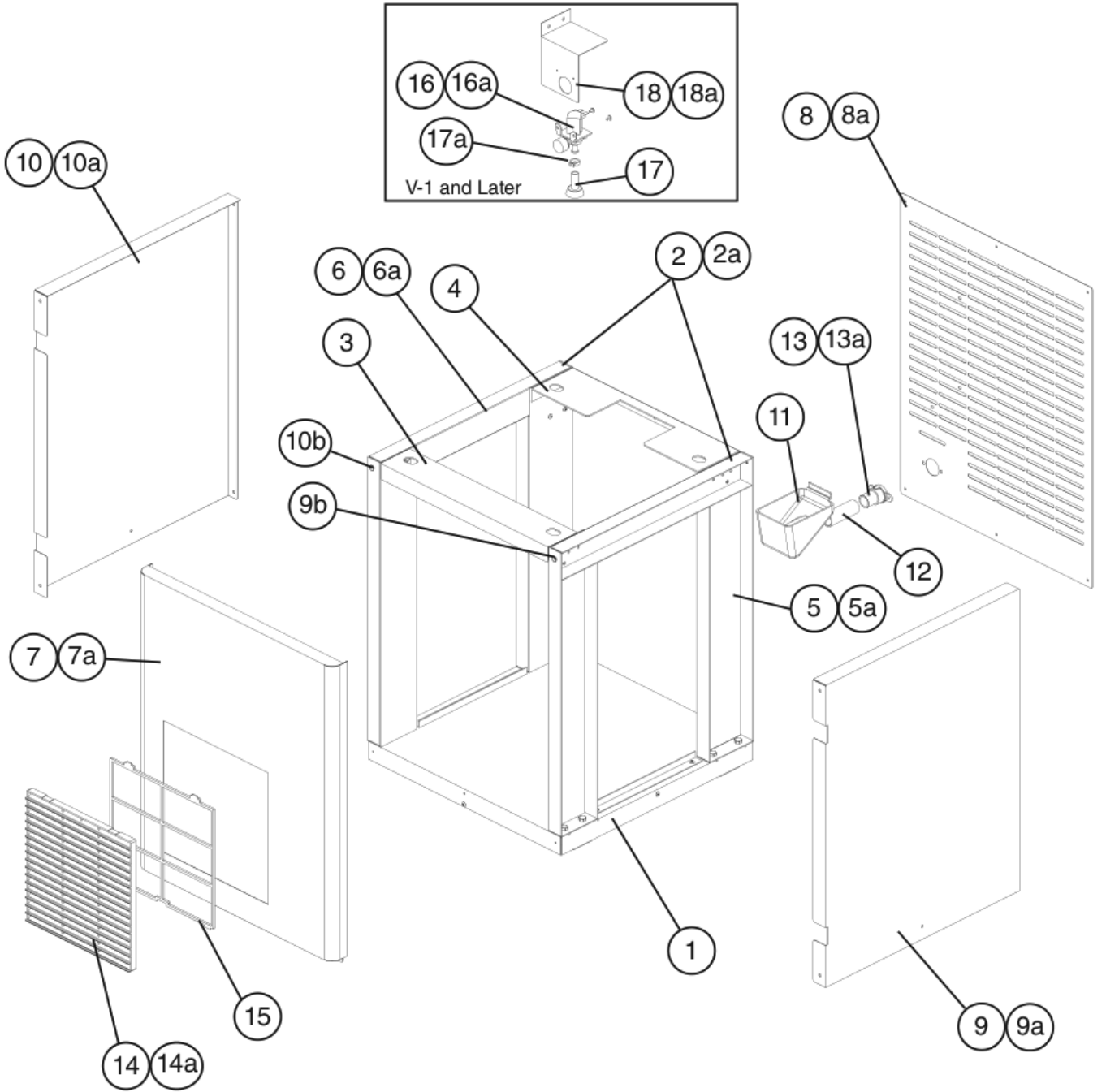
D. Water Circuit - Dispense
DT-400BAH-OS
T-0 (H) to A-0



Title: D. Water Circuit-Dispense Model: DT-400BAH-OS										
Index No.	Description	Material or Model Number	Part Number	Required Number						
				S-0	T-0 (G)	T-0 (H) to A-0				
1	Drip Tray	-	2A4107G01	1	1	1				
1a	Truss Head Screw	4x8, SS	7C32-0408	4	4	4				
2	Water Supply Pipe	-	3A4338G01	1	-					
			3A4729G01		1	1				
2a	Truss Head Screw	4x8, SS	7C32-0408	2	2	2				
3	Water Supply Pipe-(C)	-	3A4441A01	1	1	1				
4	Tee	(PVC)	4A0525-06	1	1	1				
5	Drain Fitting	-	4A0776G01	1	1	-				
			438729-01			1				
5a	Truss Head Screw	4x8, SS	7C32-0408	2	2	2				
6	Water Valve	S-30	4A0865-01	1	1	1				
6a	Truss Head Screw	4x8, SS	7C32-0408	2	2	2				
7	Washer	-	4A0867-01	2	2	2				
8	Water Valve Bracket (C)	SS	4A0999-01	1	1	1				
8a	Truss Head Screw	4x8, SS	7C32-0408	2	2	2				
9	Elbow	-	4A1016-01	1	1	-				
			4A2980-01			1				
10	Nylon Tie	PLWP3H-TL	8911-0301	3	3	3				
11	Vinyl Hose	L=125	4A0658L01	1	1	-				
		L=365				1				
11a	Hose Clamp	-	4A2017-01	1	-	2				
11b	Hose Clamp	-	4A2017-03	1	-					
			4A2017-02		1	-				
12	Insulation Tube	L=125	7762-3555	1	1	-				
		L=365				1				
13	Vinyl Hose	L=325	7716-2732	1	1	-				
		L=290				1				
13a	Hose Clamp	-	4A2017-03	2	2	2				
14	Insulation Tube	L=375	7762-3555	1	1	-				
		L=290	7762-3545			1				
15	Vinyl Hose	L=660	7716-2025	1	1	-				
		L=595				1				
15a	Hose Clamp	-	4A2017-03	1	-					
15b	Hose Clamp	-	4A2017-01	1	2	2				
16	Insulation Tube	L=660	7762-3555	1	1	-				
		L=595				1				
17	Vinyl Hose	L=75	7716-2025	1	1	-				
			7716-2732			1				
17a	Hose Clamp	-	4A2017-01	2	2	-				
			4A2017-02			1				
17b	Hose Clamp	-	4A2017-03			1				

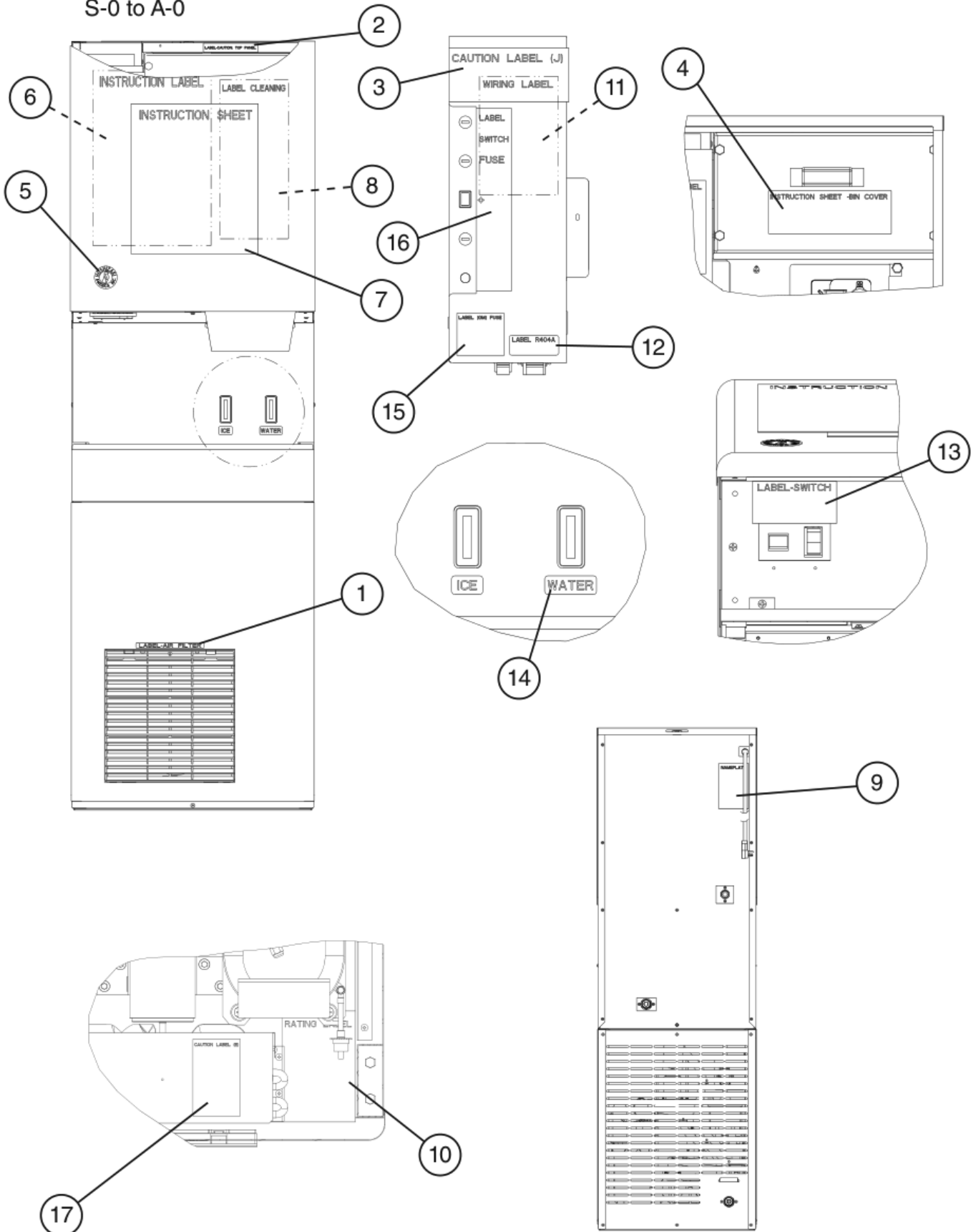
Title: D. Water Circuit-Dispense Model: DT-400BAH-OS										
Index No.	Description	Material or Model Number	Part Number	Required Number						
				S-0	T-0 (G)	T-0 (H) to A-0				
18	Insulation Tube	L=75	7762-3555	1	1	-				
			7762-3545			1				
19	Vinyl Hose	L=680	7716-2025	1	-					
		L=630			1	-				
		L=750				1				
19a	Hose Clamp	-	4A2017-03	1	-					
			4A2017-01		1	1				
20	Silicone Hose	L=75	773013896		1	1				

E. Cabinet Stand Assembly
DT-400BAH-OS
 S-0 to A-0



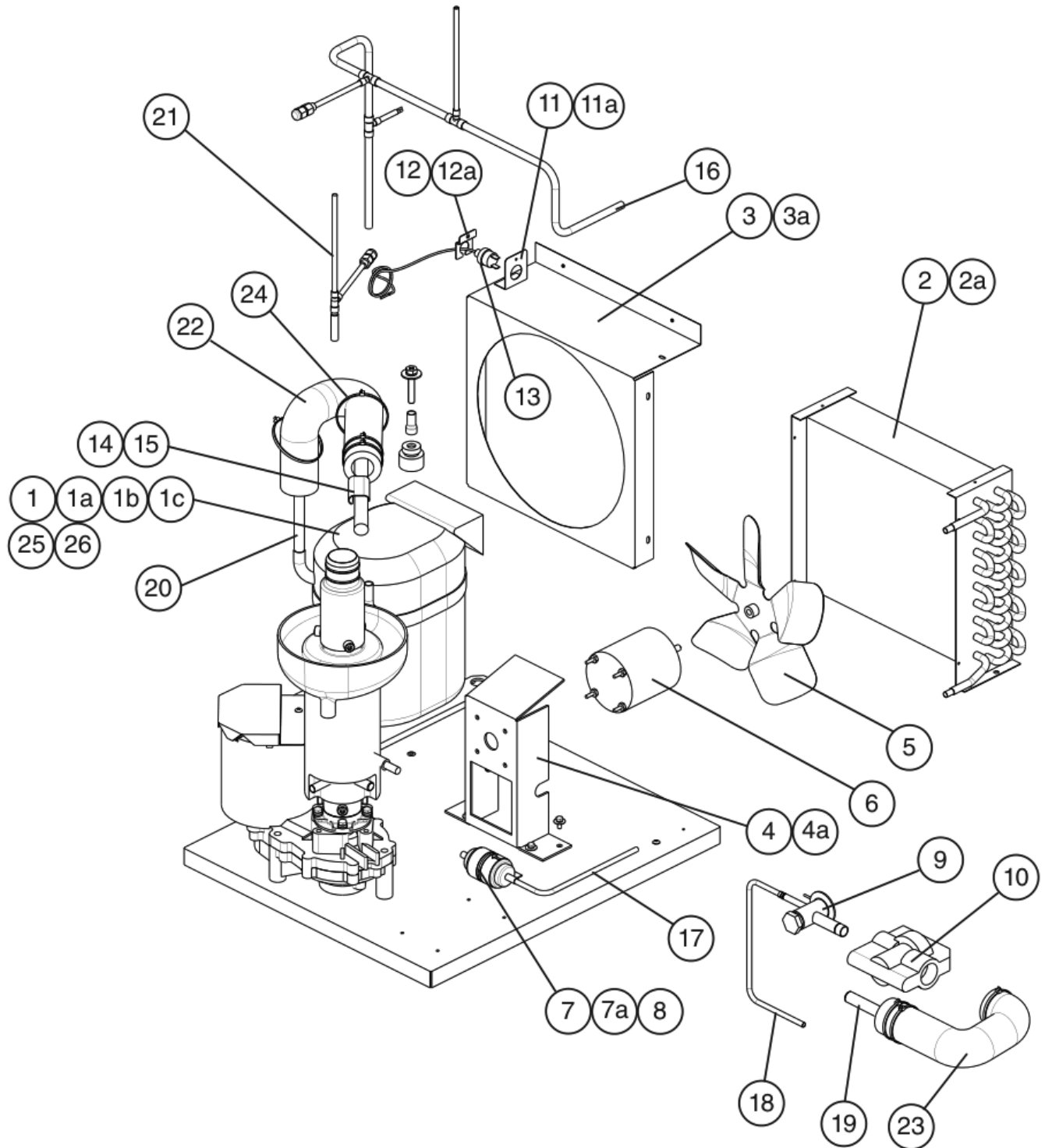
Title: E. Cabinet Stand Assembly Model: DT-400BAH-OS										
Index No.	Description	Material or Model Number	Part Number	Required Number						
				S-0	T-0 (A-G)	T-0 (H-M)	V-1 to A-0			
1	Base	-	3A4350G01	1	1	1	1			
2	Base Guide	-	3A4335-01	2	2	2	2			
2a	FT Screw	4x8, SS	7F32-0408	4	4	4	4			
3	Front Frame	-	3A4351G01	1	1	1	1			
4	Rear Frame	-	3A4352G01	1	-					
			3A4721G01		1	1	1			
5	Frame-(R)	GS	3A3698G01	1	-					
			3A4722G01		1	1	1			
5a	Hex Head Bolt	8x12	7B01-0812	8	8	8	8			
6	Frame-(L)	GS	3A3699G01	1	-					
			3A4724G01		1	1	1			
6a	Hex Head Bolt	8x12	7B01-0812	8	8	8	8			
7	Front Panel	-	2A4100-01	1	-					
			2A4510-01		1	1	1			
7a	FT Screw	4x8, SS	7F32-0408	1	1	1	1			
8	Rear Panel	-	3A4353-01	1	1	1	1			
8a	FT Screw	4x8, SS	7F32-0408	2	2	2	2			
9	Side Panel-(R1)	SS	3A3700-01	1	1	1	1			
9a	FT Screw	4x8, SS	7F32-0408	3	3	3	3			
9b	Taper Collar	SS	4H0171-01	1	1	1	1			
10	Side Panel-(L1)	SS	3A3701-01	1	1	1	1			
10a	FT Screw	4x8, SS	7F32-0408	3	3	3	3			
10b	Taper Collar	SS	4H0171-01	1	1	1	1			
11	Drain Pan	-	3A4356G01	1	1	1	1			
12	Silicone Hose	L=65	7716-2732	1	1	-				
	Drain Hose	-	434808-01			1	1			
13	Drain Fitting	-	4A0776G01	1	1	-				
			438729-01			1	1			
13a	FT Screw	4x8, SS	7F32-0408	2	2	2	2			
14	Louver	-	103121-03	1	1	1	1			
14a	Tapping Screw-Black	M4x8	433954-01	1	1	1	1			
15	Air Filter	-	208283G03	1	1	1	1			
16	Water Valve	-	4A0865-01				1			
16a	T2 Screw	4x8	7P31-0408				2			
17	Reservoir Inlet	-	4A0869-01				1			
17a	Hose Clamp	-	4A2017-08				1			
18	Water Valve Bracket-A	-	4A2238-01				1			
18a	T2 Screw	4x8	7P31-0408				2			

F. Label Location DT-400BAH-OS S-0 to A-0

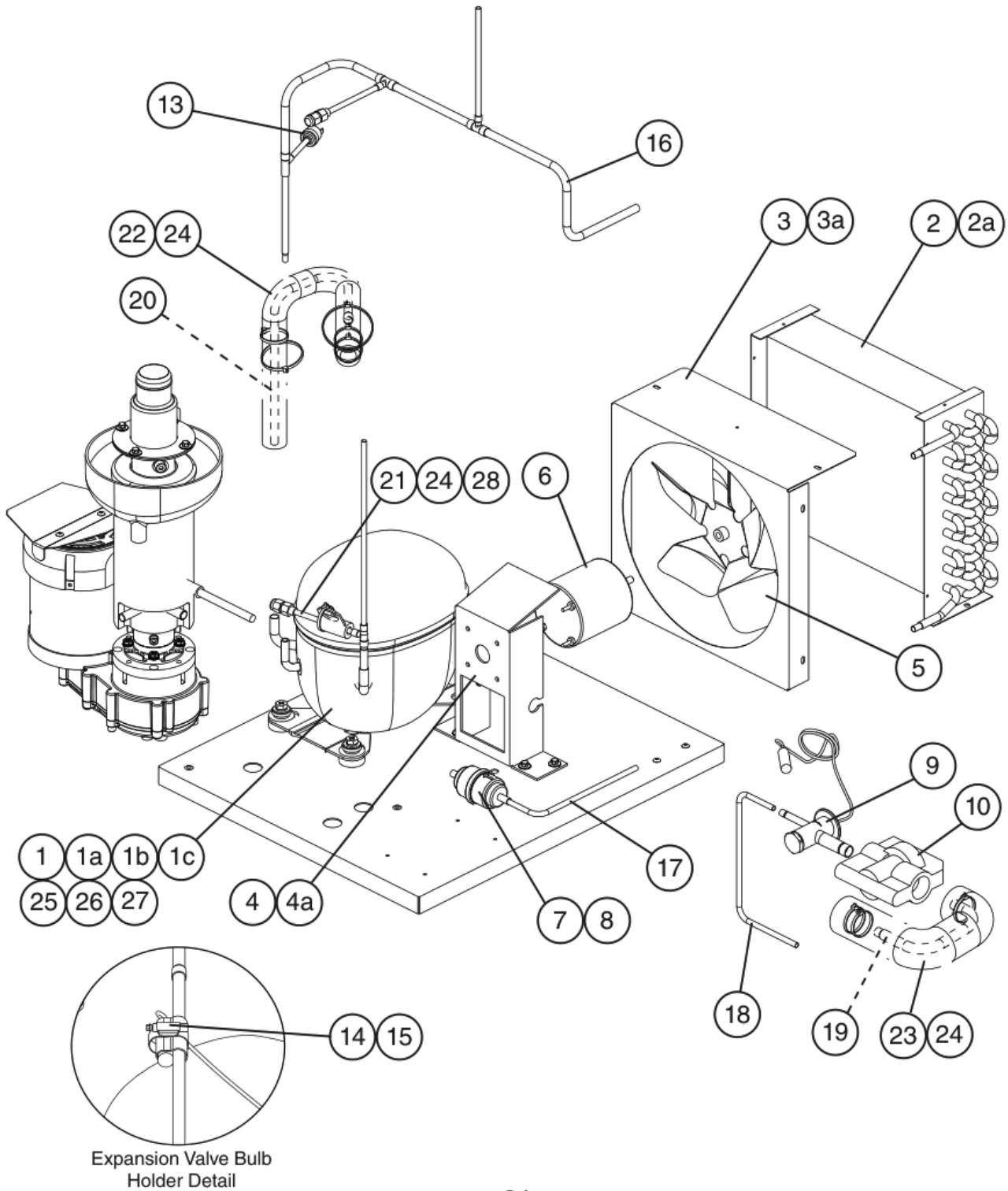


Title: F. Label Location Model: DT-400BAH-OS											
Index No.	Description	Material or Model Number	Part Number	Required Number							
				S-0	T-0	V-1 to A-0					
1	Label-Air Filter	-	426177-01	1	1	1					
2	Label-Caution:Top Panel	-	430439-01	1	-						
3	Caution Label (J)	-	439149-01	1	1	1					
4	Instruction Sheet-Bin Cover	-	446463-01	1	1	1					
5	Label-Penguin HA-R	-	456246-01	1	1	1					
6	Instruction Label	-	2A4189-01	1	1	1					
7	Instruction Sheet	-	2A4190-01	1	1	-					
8	Label-Cleaning	-	2A4191-01	1	1	1					
9	Nameplate	-	3A4413-01	1	1	-					
			3A6031-01			1					
10	Rating Label	-	3A4414-01	1	1	-					
			3A6032-01			1					
11	Wiring Label	-	3A4415-01	1	-						
			3A4822-01		1	-					
			3A6033-01			1					
12	R404A Label	-	4A0960-01	1	1	-					
13	Switch Label	-	4A1038-01	1	1	1					
14	Ice-Water Label	-	4A2954-01	1	1	1					
15	Fuse Label (GM)	-	4A3965-01	1	-						
			4A4278-01		1	1					
16	Switch Fuse Label	-	4A4273-01	1	-						
			4A4445-01		1	1					
17	Caution Label (E)	-	439145-01		1	1					

G. Refrigeration Circuit
DT-400BAH-OS
 S-0, T-0



G. Refrigeration Circuit
DT-400BAH-OS
 V-1 to A-0

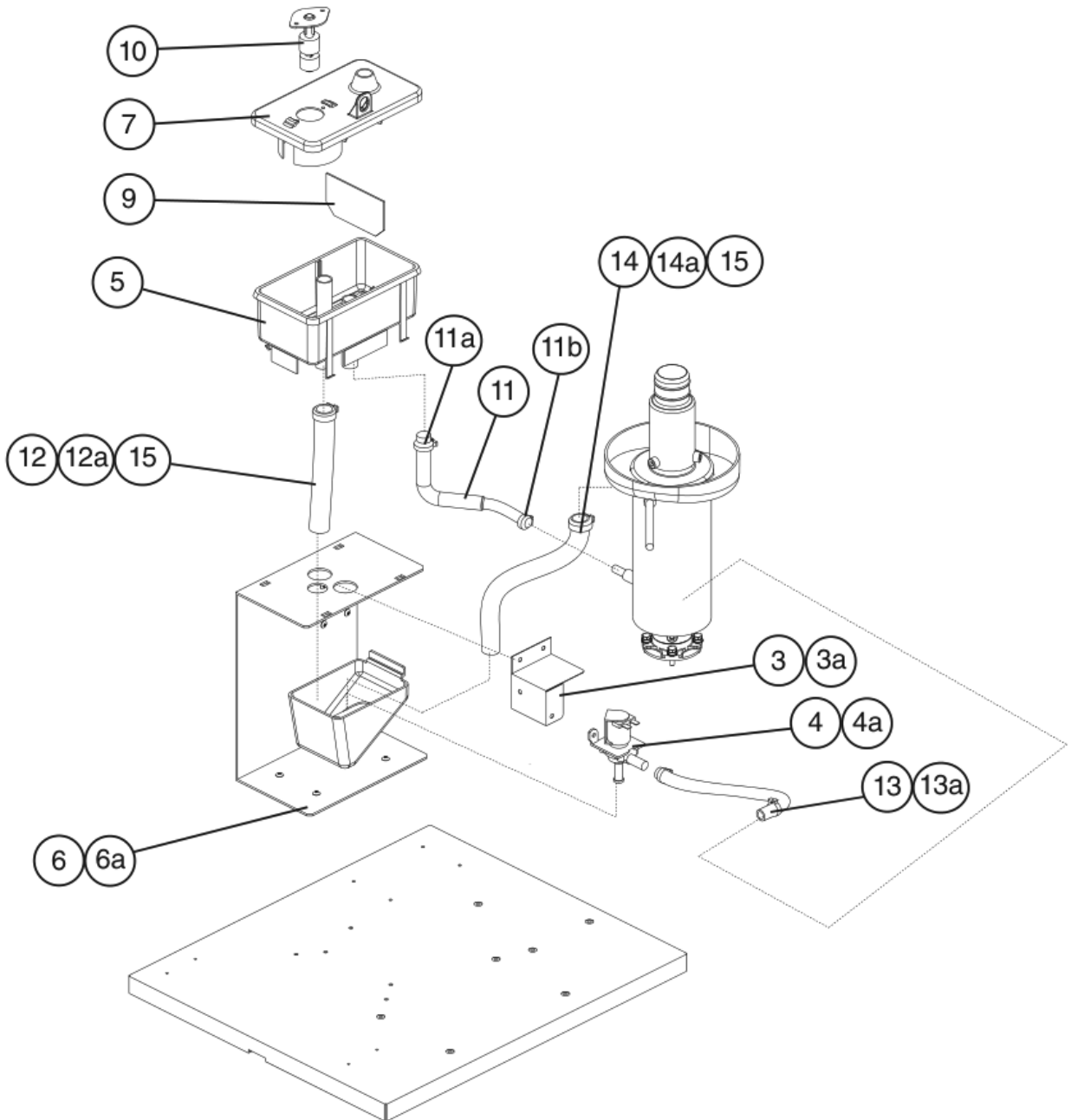
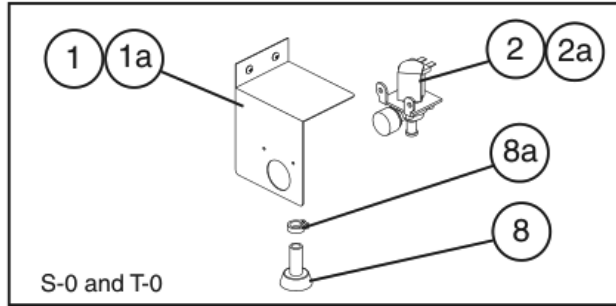


Title: G. Refrigeration Circuit Model: DT-400BAH-OS										
Index No.	Description	Material or Model Number	Part Number	Required Number						
				S-0	T-0	V-1 to A-0				
1	Compressor	RS43C2E-CAA-219	4A2300-01	1	1	-				
		RST45C1E-CAA-202	4A4479-01			1				
1a	Spacer	-	434404-01	4	4	-				
			4A2595-01			4				
1b	Grommet	-	434403-01	4	4	-				
			4A2593-01			4				
1c	Bolt Assembly	8x45	437889-01	4	4	4				
2	Condenser	-	2A0923-01	1	1	1				
2a	FT Screw	4x8, SS	7F32-0408	4	4	4				
3	Shroud	GS	2A0908-01	1	1	-				
			2A4987-01			1				
3a	T2 Screw	4x8	7P31-0408	5	5	6				
4	Fan Motor Bucket	GS	3A0828-01	1	1	1				
4a	Hex Head Bolt w/Washer (LF)	5x12, SS	7B0230512	4	4	4				
5	Fan Blade	-	4A4257-01	1	1	1				
6	Fan Motor	50 Watt	4A3158-01	1	1	1				
7	Drier Bracket	GS	445847-01	1	1	-				
	Nylon Tie	-	8911-0301			1				
7a	FT Screw	4x8, SS	7F32-0408	1	-					
	Truss Head Screw	5x8, SS	7C32-0508		1	-				
8	Drier	-	4A1113-01	1	1	1				
9	Expansion Valve	-	4A1117-01	1	1	-				
			4A4493-01			1				
10	Expansion Valve Cover	-	4A1168-01	1	1	1				
11	Pressure Switch Bracket-(B)	-	4A4260-01	1	1	-				
11a	T2 Screw	4x8	7P31-0408	1	1	-				
12	Pressure Switch Bracket	GS	434938-01	1	1	-				
12a	T2 Screw	4x8	7P31-0408	1	1	-				
13	Pressure Switch	-	433441-07	1	1	-				
			463180-04			1				
14	Hose Clamp	-	443461-01	1	1	1				
15	Expansion Valve Bulb Holder 3/8	-	3A0107-01	1	1	1				
16	Copper Tube (A)-High Side	-	2A1869G01	1	1	-				
	Copper Tube (A)-High Side (includes item 13)		2A6042G01			1				
17	Copper Tube (B)-High Side	-	4A2228-01	1	1	1				
18	Copper Tube (C)-High Side	-	4A2229-01	1	1	1				
19	Copper Tube (A)-Low Side	-	4A2620-01	1	-					
			4A4437-01		1	1				
20	Copper Tube (B)-Low Side	-	4A2496-01	1	1	-				
			4A5140-01			1				
21	Copper Tube-Access Valve	-	4A1364G01	1	1	-				
			4A1364G02			1				

Title: **G. Refrigeration Circuit** Model: **DT-400BAH-OS**

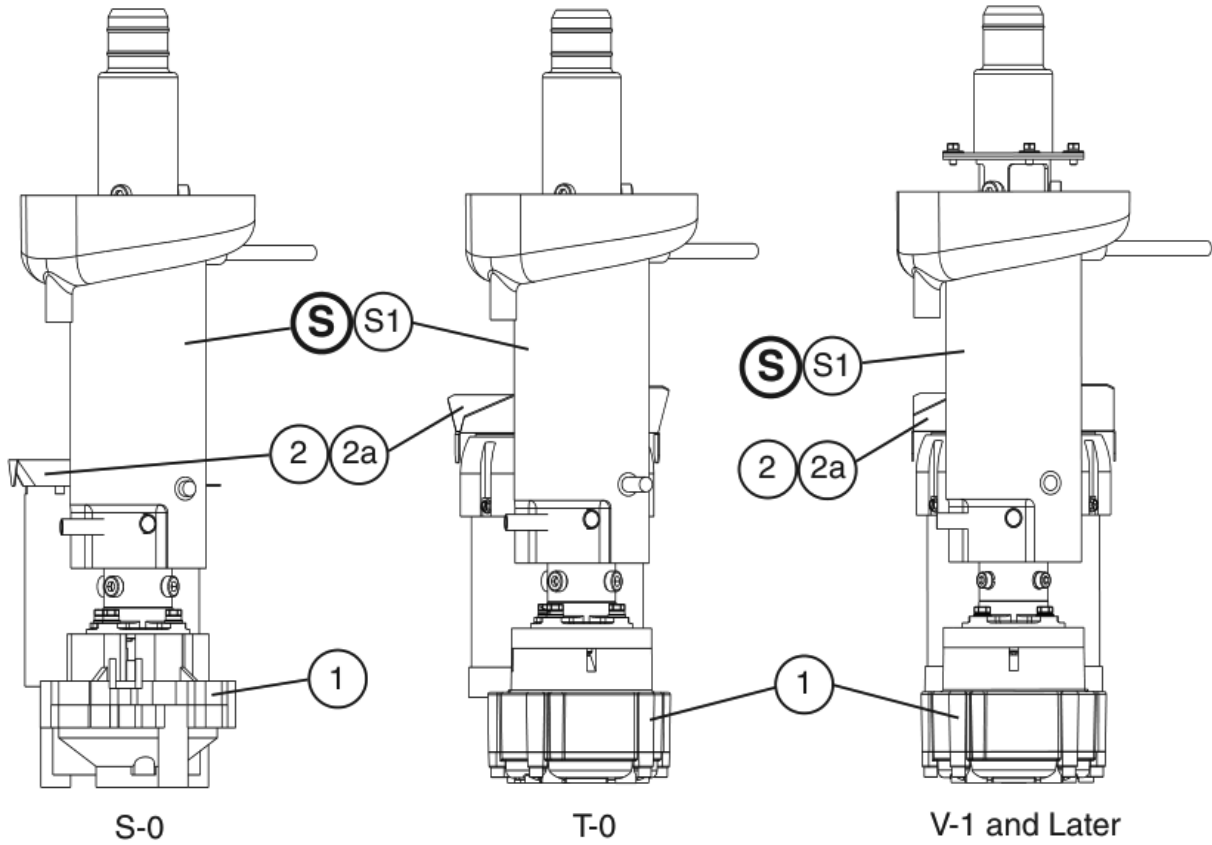
Index No.	Description	Material or Model Number	Part Number	Required Number									
				S-0	T-0	V-1 to A-0							
22	Insulation Tube	L=400	7762-2943	1	1	-							
		L=475	7762-1330			1							
23	Insulation Tube	L=270	7762-2943	1	-								
		L=320			1	1							
24	Cable Tie	CV-150	8911-0150	9	9	9							
25	Terminal Cover	-	4A2300F01	1	1	-							
			4A4479F01			1							
26	Spring Clip	-	4A2300F02	1	1	-							
			4A4479F02			1							
27	Protector	-	4A4481-01			1							
28	Insulation Tube	L=40	7762-1020			1							

H. Water Circuit - Ice Making
DT-400BAH-OS
 S-0 to A-0



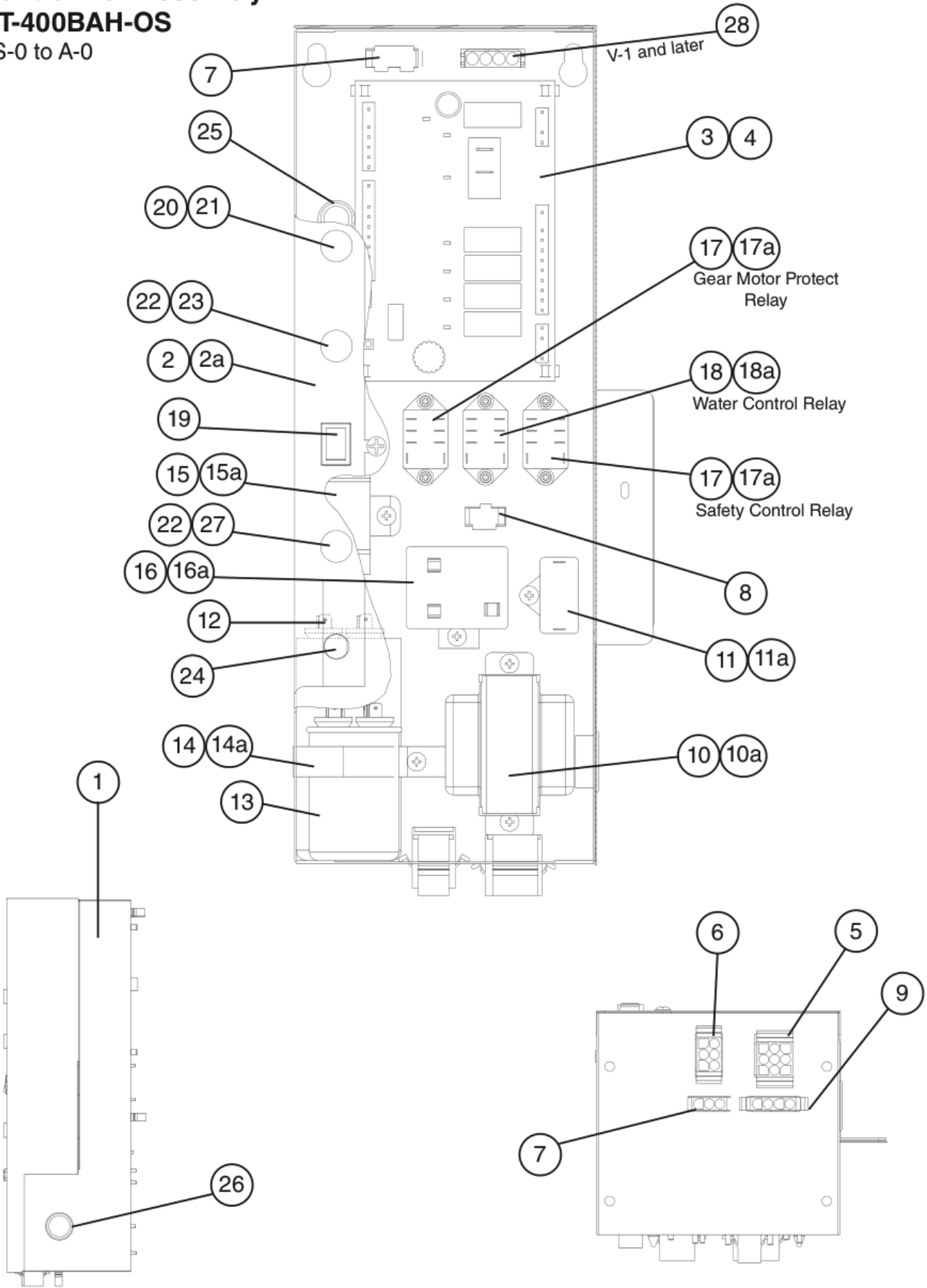
Title: H. Water Circuit - Ice Making Model: DT-400BAH-OS										
Index No.	Description	Material or Model Number	Part Number	Required Number						
				S-0	T-0	V-1 to A-0				
1	Water Valve Bracket-A	-	4A2238-01	1	1	-				
1a	T2 Screw	4x8	7P31-0408	2	2	-				
2	Water Valve	S-30	4A0865-01	1	1	-				
2a	T2 Screw	4x8	7P31-0408	2	2	-				
3	Water Valve Bracket-B	-	4A4274-01	1	-					
			4A4438-01		1	1				
3a	FT Screw	4x6	7F31-0406	2	-					
	FT Screw	4x8	7F31-0408		2	2				
4	Water Valve	DSVP12	4A2772-01	1	1	1				
4a	FT Screw	4x6	7F31-0406	2	-					
	FT Screw	4x8	7F31-0408		2	2				
5	Reservoir	-	2A0753-01	1	1	1				
6	Reservoir Bracket	-	2A1867-01	1	1	1				
6a	T2 Screw	4x8	7P31-0408	4	4	4				
7	Reservoir Cover	-	214810-01	1	1	1				
8	Reservoir Inlet	-	4A0869-01	1	1	-				
8a	Hose Clamp	2318 HC 531	4A2017-08	1	1	-				
9	Reservoir Separator	-	4A1255-01	1	1	1				
10	Float Switch	TW-1221-101	435490-01	1	1	1				
11	Reservoir Hose	-	4A1165-05	1	1	1				
11a	Hose Clamp	2326 HC 672	4A2017-05	1	1	1				
11b	Hose Clamp	2318 HC 531	4A2017-08	1	1	1				
12	Silicone Hose	L=175	7730-1822	1	1	1				
12a	Hose Clamp	2338 HC 953	4A2017-01	1	1	1				
13	Silicone Hose	L=230	773013896	1	1	-				
		L=210				1				
13a	Hose Clamp	2318 HC 531	4A2017-08	2	2	2				
14	Vinyl Hose	L=280	7730-1822	1	1	1				
14a	Hose Clamp	2338 HC 953	4A2017-01	1	1	1				
15	Nylon Tie	PLWP3H-TL	8911-0301	2	2	2				

J. Ice Making Unit
DT-400BAH-OS
 S-0 to A-0



Title: J. Ice Making Unit		Model: DT-400BAH-OS		Required Number							
Index No.	Description	Material or Model Number	Part Number	S-0	T-0	V-1 to A-0					
S	Evaporator Unit	-	2A2284A02	1	1	-					
			2A6046A01			1					
S1	Hex Bolt	6x20, SS	458660-01	4	4	-					
			4A1989-01			4					
1	Gear Motor	-	4A2193-01	1	-						
			4A4321-01		1	1					
2	Gear Motor Cover	-	3A4436-01	1	-						
			3A4584-01		1	1					
2a	FT Screw	4x6, SS	7F32-0406	2	-						
		4x8	7F31-0408		2	2					

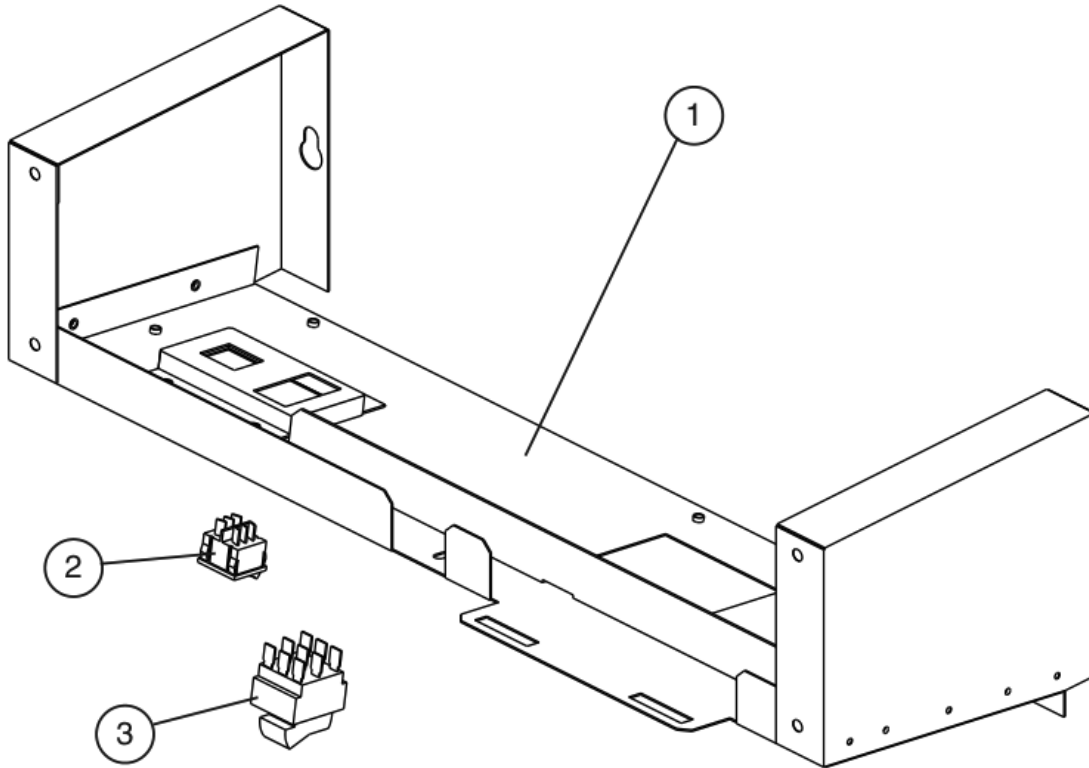
K. Control Box Assembly
DT-400BAH-OS
 S-0 to A-0



Title: K. Control Box Assembly Model: DT-400BAH-OS											
Index No.	Description	Material or Model Number	Part Number	Required Number							
				S-0	T-0	V-1 V-2	A-0				
1	Control Box (A)	-	2A3991-01	1	-						
			2A4519-01		1	1	1				
2	Control Box Cover	-	3A4191-01	1	-						
			3A4727-01		1	1	1				
2a	Truss Head Screw	4x8	7C31-0408	1	1	1	1				
3	Control (Timer) Board	-	2A2649-01	1	1	1	1				
4	Board Support	CBLS37-M	4A0336-03	4	4	4	4				
5	Plug Housing	9P	412832-02	1	1	1	1				
6	Plug Housing	6P	412832-03	1	1	1	1				
7	Plug Housing	3P	412832-06	2	2	2	2				
8	Plug Housing	2P	412832-07	1	1	1	1				
9	Plug Housing	4P Red	412832-11	2	2	2	1				
10	Transformer	TR-5267	2U0042-01	1	-						
		TR-5267-1	2U0042-02		1	1	1				
10a	T2 Screw	4x8	7P31-0408	2	2	2	2				
11	Fan Motor Capacitor	5MFD, 250VAC	443192-02	1	1	1	1				
11a	T2 Screw	4x8	7P31-0408	1	1	1	1				
12	Start Capacitor	243-292MFD, 115VAC	3A0076-10	1	1	-					
		243-292MFD, 165VAC	3A0076-20			1	1				
13	Run Capacitor	15MFD, 370VAC	3A2005-08	1	1	-					
		35MFD, 440VAC	3A2005-12			1	1				
14	Strap	-	4A2262-02	1	1	1	1				
14a	T2 Screw	4x8	7P31-0408	1	1	1	1				
15	Gear Motor Capacitor	12.0MFD, 330VAC	4A0894-01	1	-						
		20MFD, 350VAC	4A4319-01		1	1	1				
15a	T2 Screw	4x8	7P31-0408	1	1	1	1				
16	Starter	3ARR3CT5M5	4A1107-11	1	1	1	1				
16a	T2 Screw	4x8	7P31-0408	1	1	1	1				
17	Relay	LY2F AC 120V	406132-07	2	2	2	2				
17a	Tapping Screw	3x8	431415-01	4	4	4	4				
18	Relay	LY2F AC 24V	406132-03	1	1	1	1				
18a	Tapping Screw	3x8	431415-01	2	2	2	2				
19	Rocker Switch	-	4A0558-01	1	1	1	1				
20	Fuse Holder	HTB92I	4A0892-01	1	1	1	-				
		-	4A3449-01				1				
21	Fuse (24V transformer circuit)	AGC 1A 250V	4A0893-01	1	1	1	1				

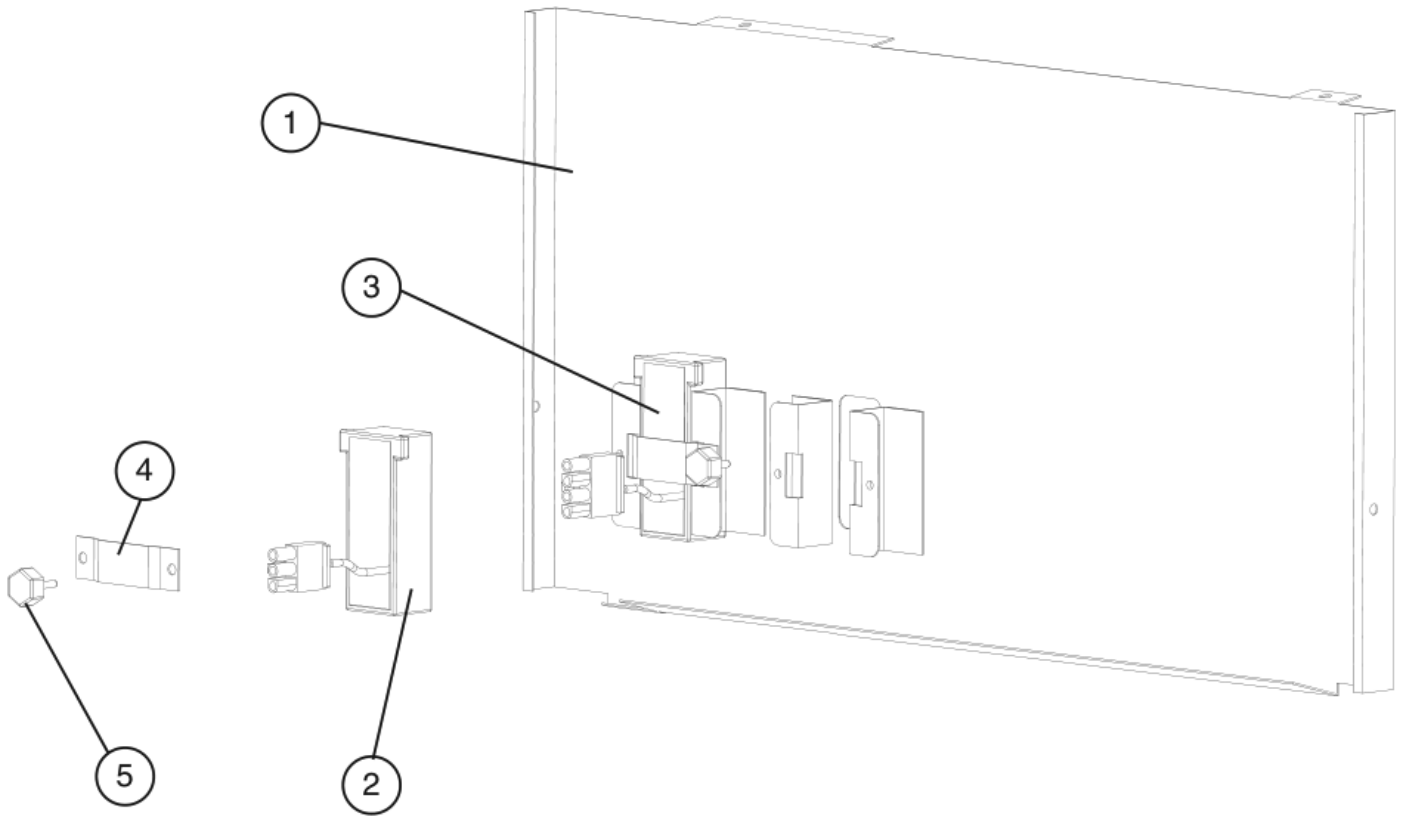
Title: K. Control Box Assembly Model: DT-400BAH-OS											
Index No.	Description	Material or Model Number	Part Number	Required Number							
				S-0	T-0	V-1 V-2	A-0				
22	Fuse Holder	HTB92M	4A0892-02	2	2	2	-				
		-	4A3449-02				2				
23	Fuse (10.5V transformer circuit)	GMC 500mA 250V	4A0893-02	1	1	1	1				
24	Lamp	-	4A2672-01	1	1	1	1				
25	Bushing	SB-625-8	420470-01	1	1	1	1				
26	Bushing	SB-1093-15	420470-03	1	1	1	1				
27	Fuse (gear motor)	GMD 1.5A 250V	4A0893-04	1	-						
		GMD 2.0A 250V	4A0893-05		3	3	3				
28	Plug Housing	-	412832-05			1	1				

L. Middle Front Frame Assembly
DT-400BAH-OS
 S-0 to A-0



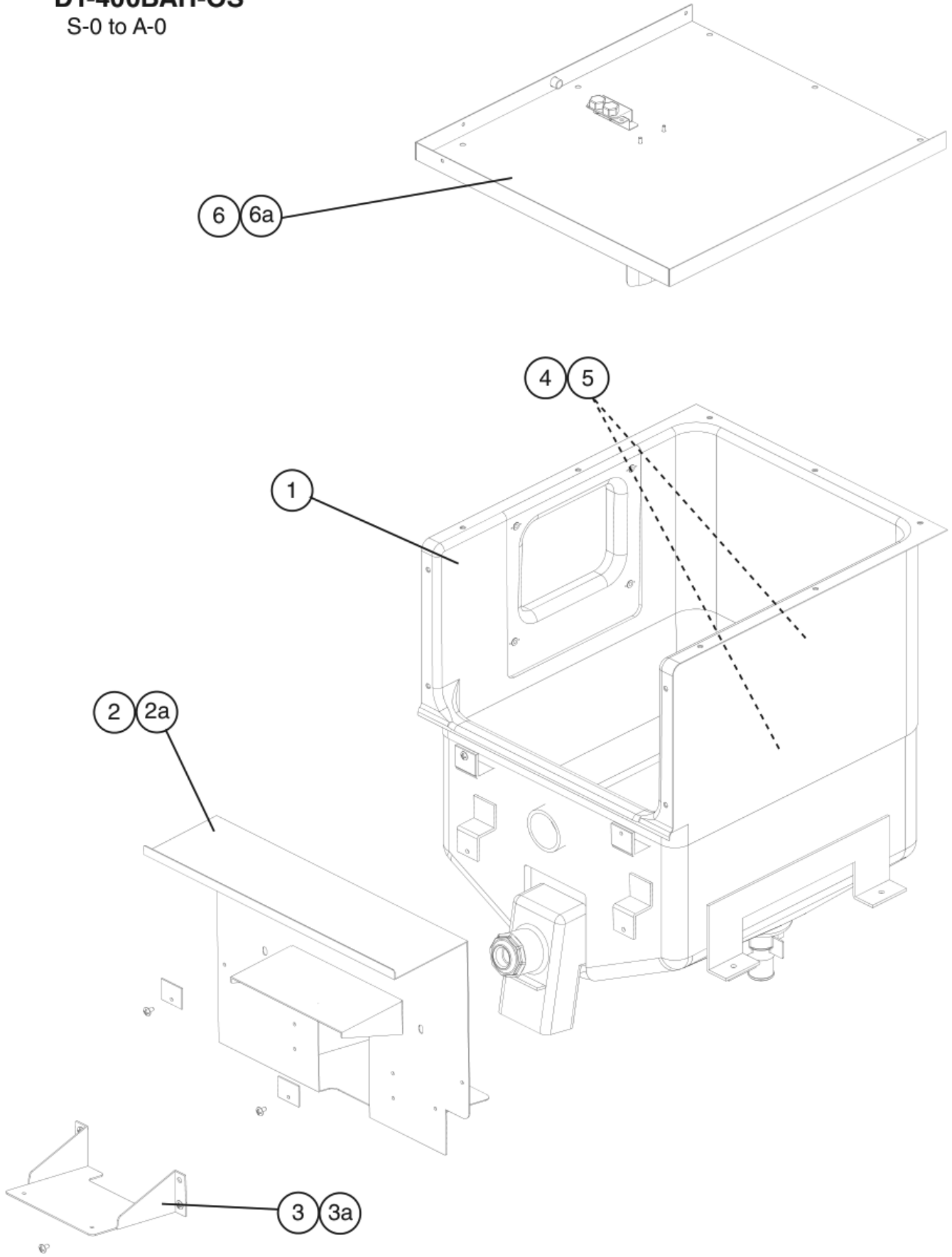
Title: L. Middle Front Frame Assembly		Model: DT-400BAH-OS		Required Number							
Index No.	Description	Material or Model Number	Part Number	S-0 to A-0							
				1	Middle Front Frame	-	2A3983G01	1			
2	Rocker Switch	-	4A1034-01	1							
3	Rocker Switch	-	4A2957-01	1							

M. Apron Panel Assembly
DT-400BAH-OS
 S-0 to A-0



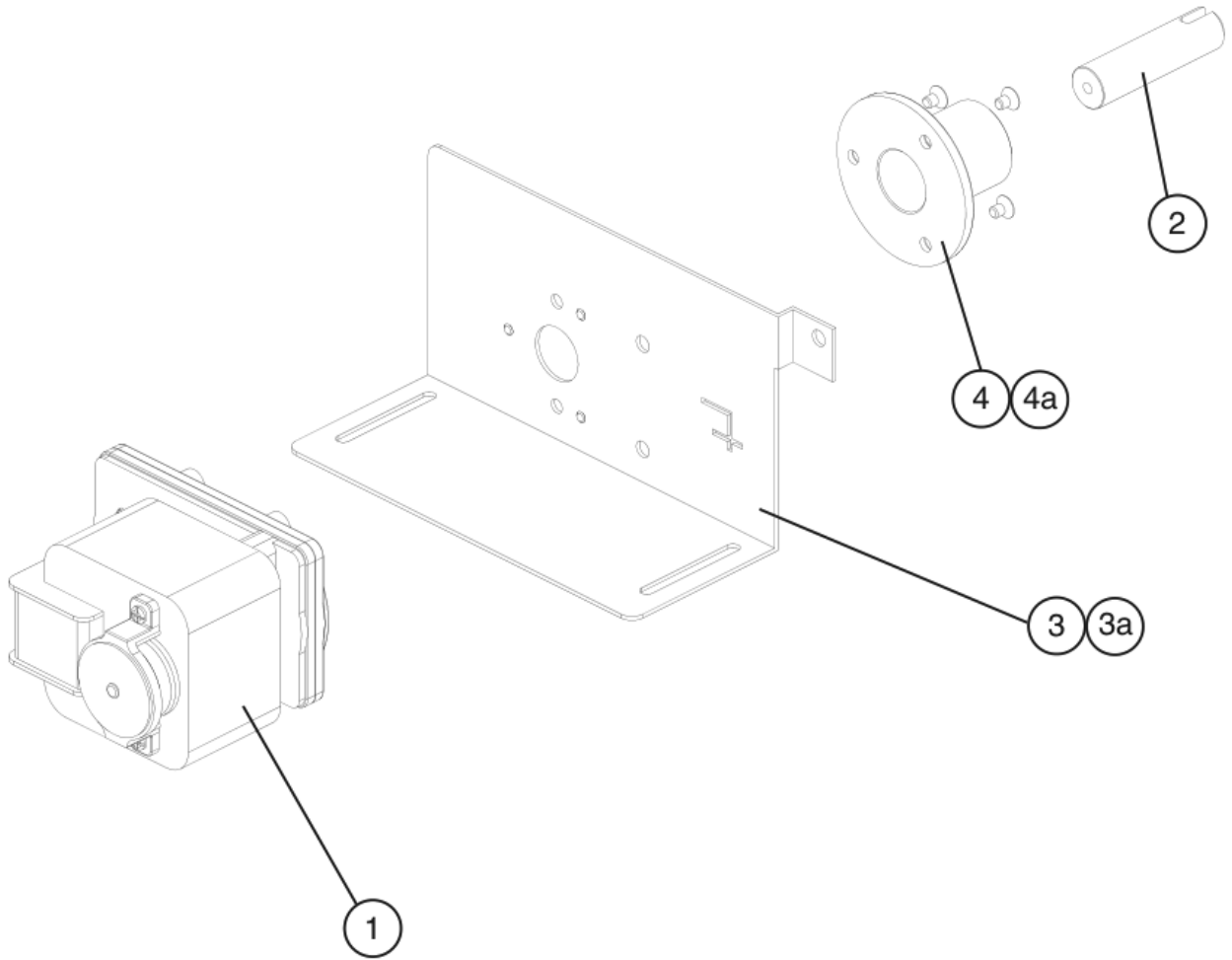
Title: M. Apron Panel Assembly Model: DT-400BAH-OS															
Index No.	Description	Material or Model Number	Part Number	Required Number											
				S-0 to A-0											
1	Apron Panel	-	3A4184G01	1											
2	Sensor Assembly (Ice)	-	4A3753G01	1											
3	Sensor Assembly (Water)	-	4A3753G02	1											
4	Sensor Cover	SS	4A3848-01	2											
5	Thumbscrew	Black	415949G10	2											

N. Bin Assembly
DT-400BAH-OS
S-0 to A-0



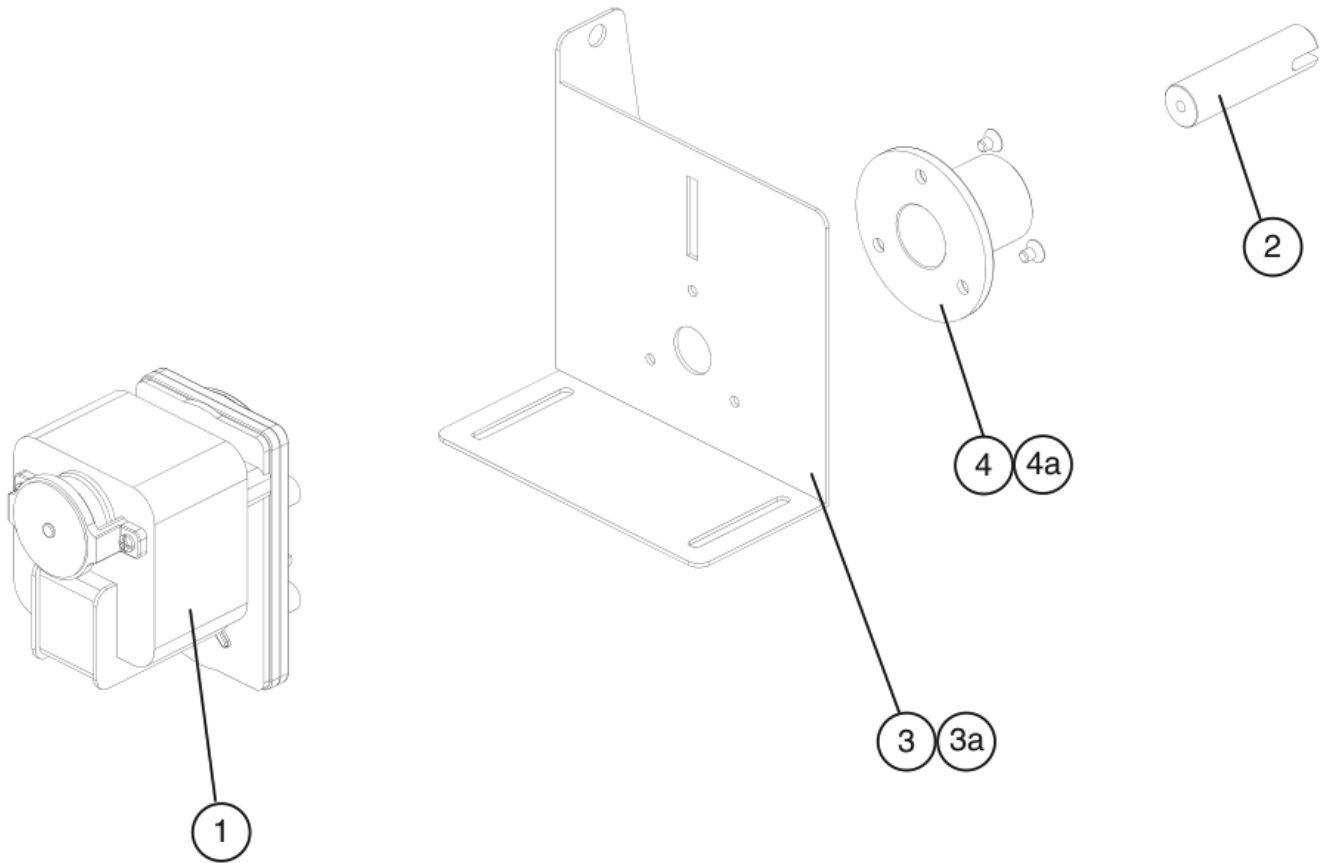
Title: N. Bin Assembly Model: DT-400BAH-OS												
Index No.	Description	Material or Model Number	Part Number	S-0 to A-0	Required Number							
1	Bin Foamed	-	103687G01	1								
2	Barrier	-	2A2008G01	1								
2a	Truss Head Screw	4x8, SS	7C32-0408	3								
3	Sliding Bracket	SS	3A0364-01	1								
3a	Truss Head Screw	4x8, SS	7C32-0408	4								
4	Shaft Holder (C)	-	429818-01	2								
5	"O" Ring	-	7616-P032	2								
6	Bin Top Assembly	-	3A1565A01	1								
6a	Truss Head Screw	4x10, SS	7C32-0410	7								

P. Gear Motor Assembly - Agitate
DT-400BAH-OS
 S-0 to A-0



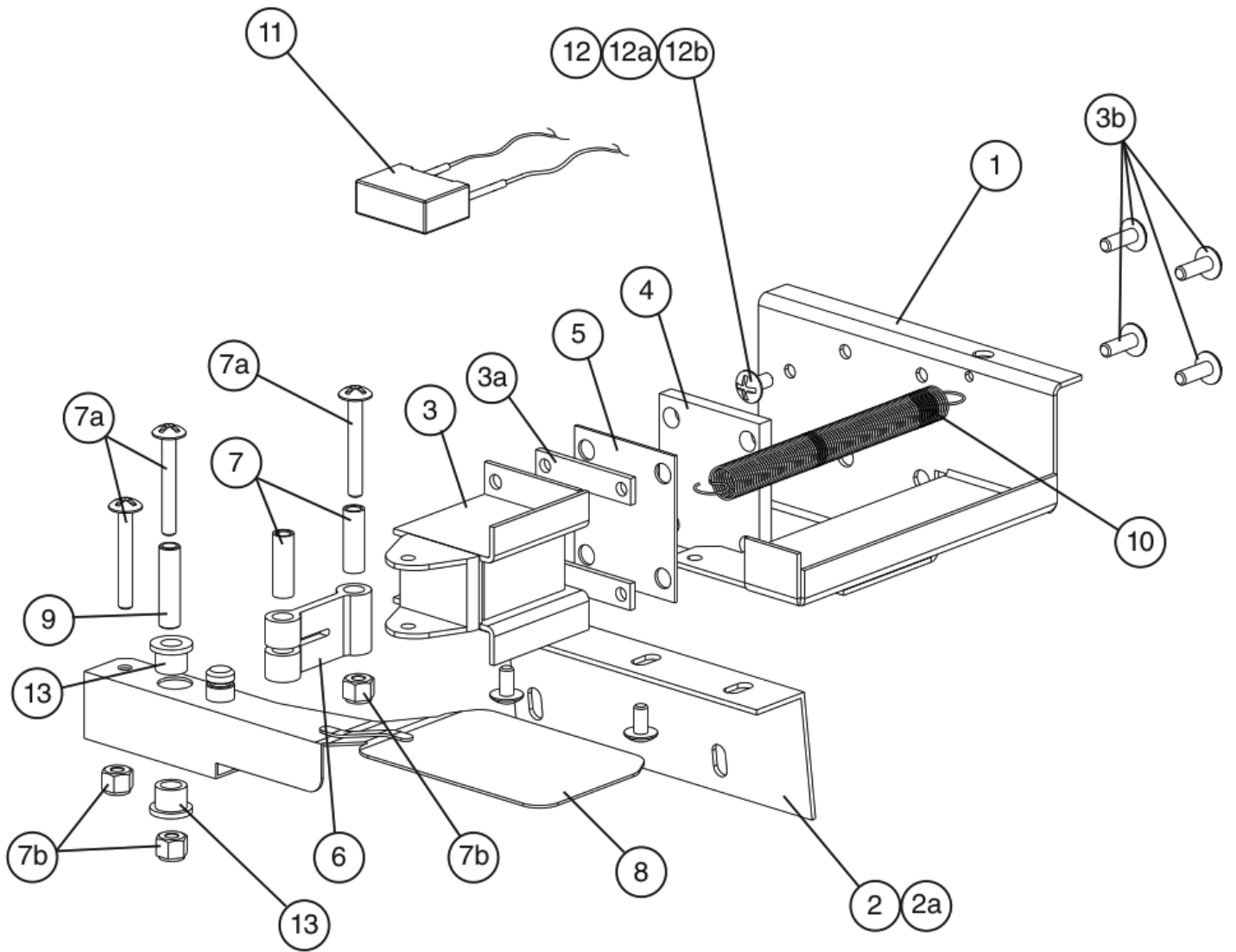
Title: P. Gear Motor Assembly - Agitate Model: DT-400BAH-OS					Required Number								
Index No.	Description	Material or Model Number	Part Number	S-0 to A-0									
1	Gear Motor	GN6-005A	2U0080-01	1									
2	Joint	-	429764-01	1									
3	Gear Motor Bracket (B1)	SS	4A0618-01	1									
3a	Flat Head Screw	4x6, SS	7C22-0406	4									
4	Plastic Sleeve (A)	-	429761-01	1									
4a	Flat Head Screw	4x8, SS	7C22-0408	3									

Q. Gear Motor Assembly - Dispense
DT-400BAH-OS
 S-0 to A-0



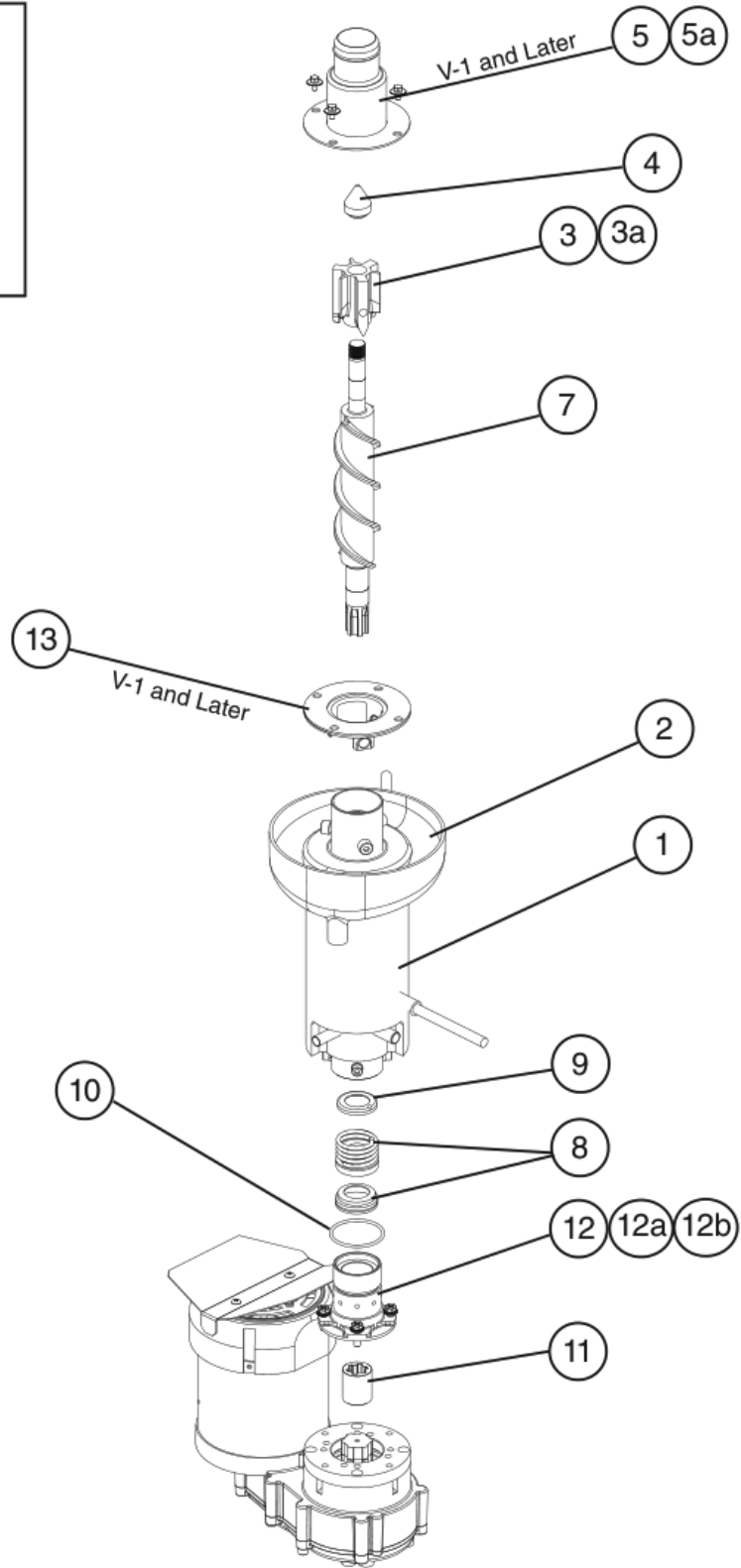
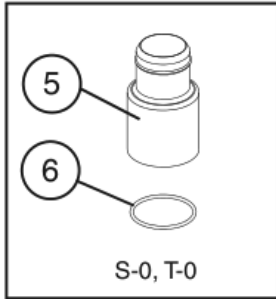
Title: Q. Gear Motor Assembly - Dispense Model: DT-400BAH-OS													
Index No.	Description	Material or Model Number	Part Number	Required Number									
				S-0 to A-0									
1	Gear Motor	GN6-005A	2U0080-03	1									
2	Joint	-	429764-01	1									
3	Gear Motor Bracket (A3)	SS	3A0361-01	1									
3a	Flat Head Screw	4x6, SS	7C22-0406	4									
4	Plastic Sleeve (A)	-	429761-01	1									
4a	Flat Head Screw	4x8, SS	7C22-0408	3									

R. Shutter Assembly
DT-400BAH-OS
S-0 to A-0



Title: R. Shutter Assembly Model: DT-400BAH-OS												
Index No.	Description	Material or Model Number	Part Number	S-0 to A-0	Required Number							
1	Base-Shutter	SS	3A1817-01	1								
2	Base (B)-Shutter	SS	3A1762-01	1								
2a	Truss Head Screw	4x8, SS	7C32-0408	2								
3	Solenoid	AS-04-A117	3U0095-01	1								
3a	Solenoid Nut	SS	429723-01	2								
3b	Truss Head Screw	4x12, SS	7C32-0412	4								
4	Solenoid Packing	-	430380-01	1								
5	Packing Cover	SS	431623-01	1								
6	Link	-	432232-01	1								
7	Collar (D)	SS	432471-01	2								
7a	Truss Head Screw	4x30, SS	7C32-0430	3								
7b	Self-Locking Nut	M4, SS	7N22-0400	3								
8	Lever	-	3A1653G01	1								
9	Collar (E)	-	432240-02	1								
10	Spring	-	432878-01	1								
11	R-C Capacitor	-	4A1012-01	1								
12	Truss Head Screw (GND)	4x8, SS	7C32-0408	1								
12a	Hex Nut	M4, SS	7N12-0400	1								
12b	Tooth Washer	M4, SS	7R22-0400	1								
13	Plastic Sleeve Insert	-	432235-01	2								

S. Evaporator Unit
DT-400BAH-OS
S-0 to A-0



Title: S. Evaporator Unit Model: DT-400BAH-OS											
Index No.	Description	Material or Model Number	Part Number	Required Number							
				S-0 T-0	V-1 to A-0						
1	Evaporator	-	2A3310G02	1	-						
			2A3310G01		1						
2	Drip Pan (Evaporator)	-	2A4118-01	1	1						
3	Extruding Head	-	327141G01	1	1						
3a	Seal Bolt-M8	-	P01768-01	3	3						
4	Auger Cap	-	4A4931-01	1	1						
5	Auger Sleeve	-	4A2231-01	1	-						
			3A6044G01		1						
5a	Hex Head Bolt w/Washer (LF)	5x10, SS	7B0230510		4						
6	"O" Ring	-	4A4298-01	1	-						
7	Auger	-	341448G01	1	1						
8	Mechanical Seal	-	432491-01	1	1						
9	Ring (B)	-	432494-01	1	1						
10	"O" Ring	G40	7616-G040	1	-						
		-	4A4298-01		1						
11	Spline Coupling	-	418316-01	1	1						
12	Housing	-	206013G03	1	1						
12a	Split Lock Washer	M6, SS	7L22-0600	4	4						
12b	Socket Head Cap Screw	6x10, SS	7S12-0610	4	4						
13	Flange	-	4A5145G01		1						

T. Accessories and Packaging

DT-400BAH-OS

S-0 to A-0

Title: T. Accessories and Packaging		Model: DT-400BAH-OS		Required Number								
Index No.	Description	Material or Model Number	Part Number	S-0 to A-0								
1	Instruction Manual	-	91A2KB10C	1								
2	Adjustable Leg	Set of 4	4A2526-01	1								
3	Leg Protector	-	3A0134-01	4								
Packaging			2A4331A01	1								