



Parts List

EF2A-FS

TABLE OF CONTENTS

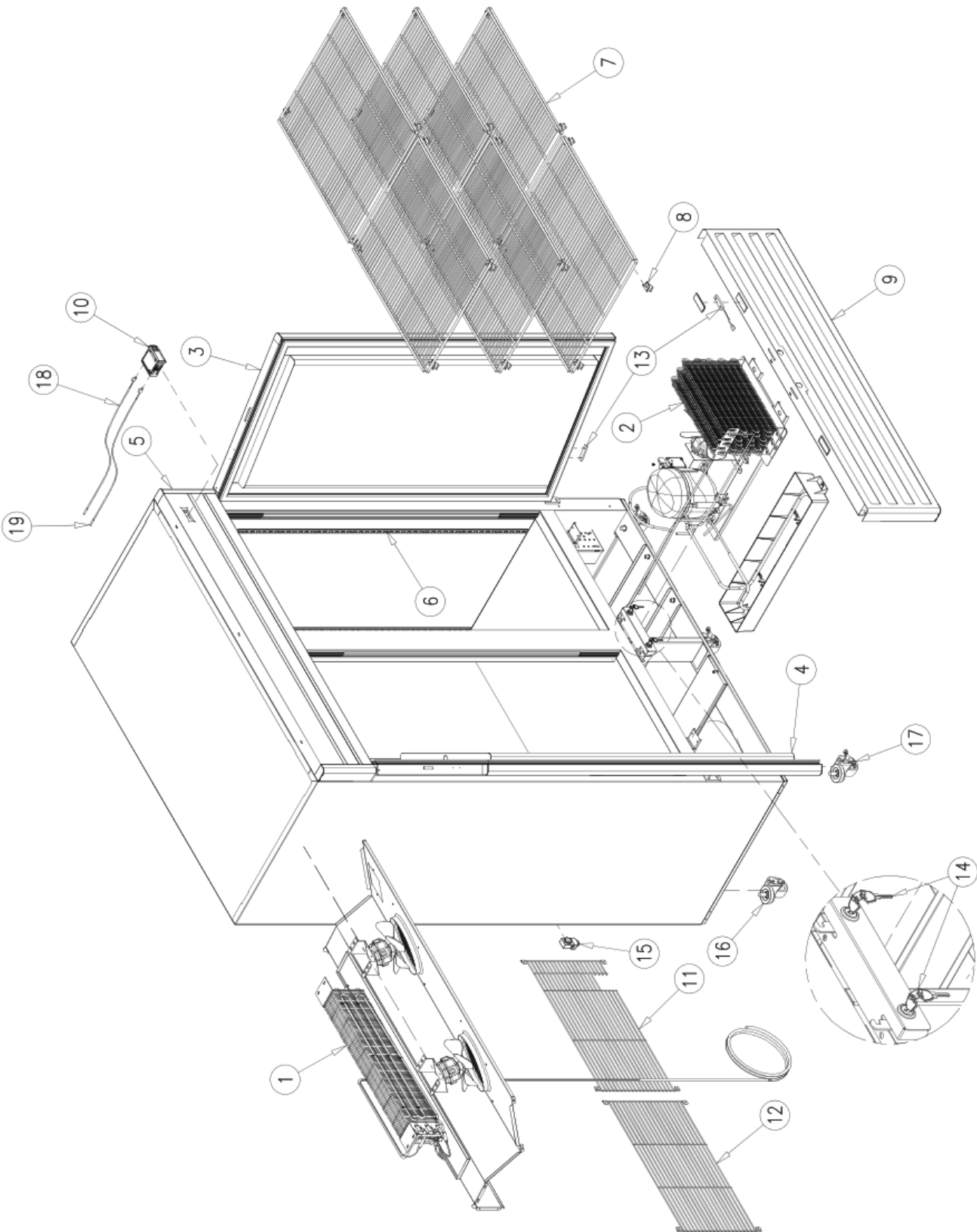
MAIN ASSEMBLY	3
EVAPORATOR ASSEMBLY	5
CONDENSING UNIT ASSEMBLY	7
DOOR ASSEMBLY	9
LIGHTING SYSTEM	11

NOTE:

To order spare parts, always include the following information:

- *Model Number* _____
- *Serial Number* _____

MAIN ASSEMBLY

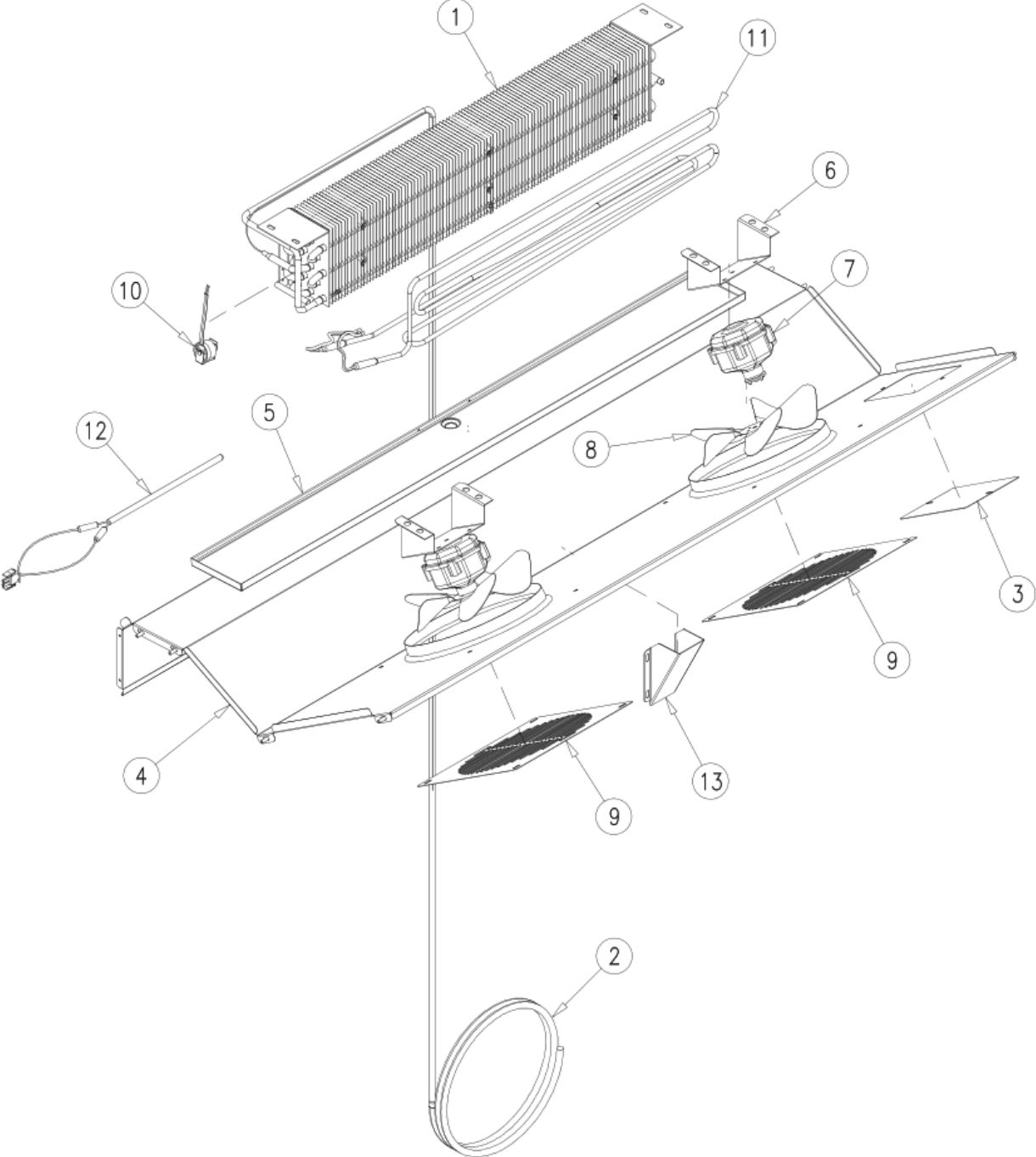


MAIN ASSEMBLY

<i>Item No.</i>	<i>Description</i>	<i>Part No.</i>	<i>Quantity per cooler</i>
1	EVAPORATOR ASSEMBLY	OT-EV-0215	1
2	CONDENSING UNIT ASSEMBLY	OT-UN-0091	1
3	RIGHT DOOR ASSEMBLY	OT-PTA-0249-R-836*	1
4	LEFT DOOR ASSEMBLY	OT-PTA-0249-L-836*	1
5	HEADER SIGN	OT-RT-0228	1
6	PILASTER 48"	PI-5	8
7	FLAT SHELF	SH-0445-HD-GR	6
8	SHELF CLIPS	CL-51-SS-E	24
9	FRONT GRILL	OT-CM-0295	1
10	CONTROL MODULE	CT-209-CO-397*	1
11	RIGHT BACK GRILL	SH-0562-G-GR	1
12	LEFT BACK GRILL	SH-0563-G-GR	1
13	DOOR SWITCH	EL-306	2
14	LOCK AND KEY SET	HA-471-G-K	2
15	PRESSURE RELIEF VALVE	VA-110*	1
16	BACK NON-LOCKING CASTER	CA-4	3
17	FRONT LOCKING CASTER	CA-4-BR	3
18	CABINET THERMISTOR	CT-207-BK	1
19	DEFROST THERMISTOR	CT-207-WH	1

*Parts Change With Serial Number Break						
ITEM No.	Description	Inter-change-able	Previous Component	Hoshizaki Last Serial Number and Earlier	Current Component	Hoshizaki First Serial Number and Later
3	RIGHT DOOR ASSEMBLY	YES	OT-PTA-0249-R	K-00640(E)	OT-PTA-0249-R-836	K-00591(G)
4	LEFT DOOR ASSEMBLY	YES	OT-PTA-0249-L	K-00640(E)	OT-PTA-0249-L-836	K-00591(G)
10	CONTROL MODULE	NO	CT-69-DI-142	P-00553(D)	CT-209-CO-397	P-00051(F)
	CONTROL MODULE PARAMETERS	YES	CT-69-DI-142	L-00351(L)	CT-69-DI-142	L-00431(M)
15	PRESSURE RELIEF VALVE	NO	VA-107-V12	L-02251(H)	VA-110	L-02252(H)

EVAPORATOR ASSEMBLY



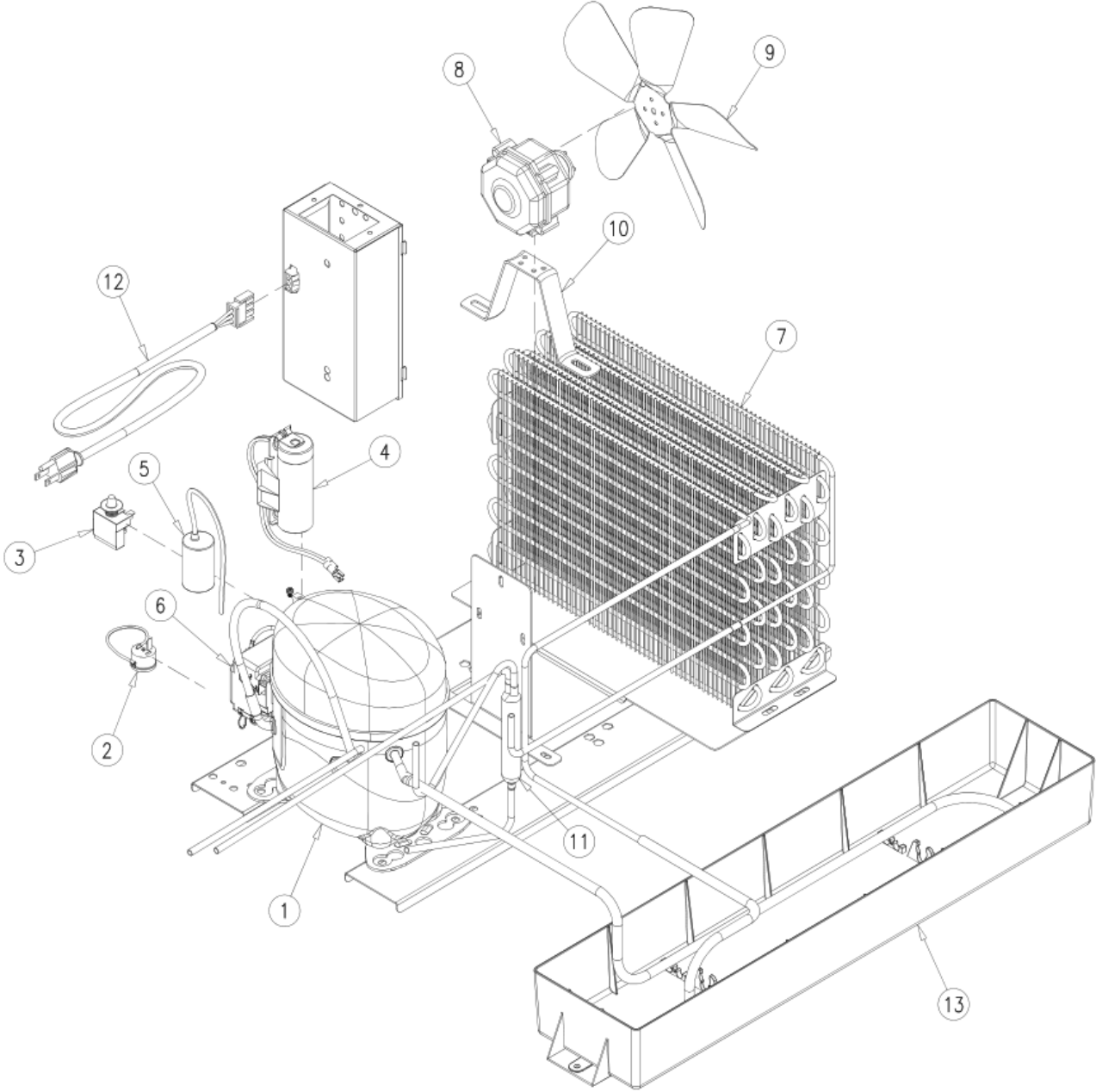
EVAPORATOR ASSEMBLY

<i>Item No.</i>	<i>Description</i>	<i>Part No.</i>	<i>Quantity per cooler</i>
1	EVAPORATOR	CO-469-EC*	1
2	HEAT EXCHANGER	OT-TUB-1152	1
3	SHROUD COVER	OT-9059	1
4	SHROUD	OT-23542	1
5	EVAPORATOR DRAIN PAN	OT-22632	1
6	EVAPORATOR FAN MOTOR BRACKET	OT-27208*	2
7	EVAPORATOR FAN MOTOR	FA-122-SW-1800*	2
8	EVAPORATOR FAN BLADE	FA-2-SW*	2
9	FAN GUARD	OT-2395	2
10	DEFROST SAFETY THERMOSTAT	OT-CT-11-R-EM	1
11	DEFROST HEATER	OT-EL-240-D-CO-469*	1
12	DRAIN HEATER	EL-851-V1*	1
13	DRAIN HOSE COVER	OT-24586*	1

*Parts Change With Serial Number Break

ITEM No.	Description	Inter-change-able	Previous Component	Hoshizaki Last Serial Number and Earlier	Current Component	Hoshizaki First Serial Number and Later
1	EVAPORATOR	YES	CO-469	M-00322(G)	CO-469-EC	N-00166(B)
6	EVAPORATOR FAN MOTOR BRACKET	NO	OT-21719	P-00288(A)	OT-27208	P-00182(C)
7	EVAPORATOR FAN MOTOR	YES	FA-41	M-00625(C)	FA-122-SW-1800	M-00001(E)
8	EVAPORATOR FAN BLADE	YES	FA-2-EBM	L-00257(E)	FA-2-SW	L-01264(H)
11	DEFROST HEATER	NO	OT-EL240R290CO-469	M-00322(G)	OT-EL-240-D-CO-469	N-00166(B)
	DEFROST HEATER	NO	EL-240-R290	K-00506(H)	OT-EL240R290CO-469	L-00193(C)
12	DRAIN HEATER	NO	N/A	N/A	EL-851-V1	L-00193(C)
13	DRAIN HOSE COVER	NO	N/A	N/A	OT-24586	L-00193(C)

CONDENSING UNIT ASSEMBLY



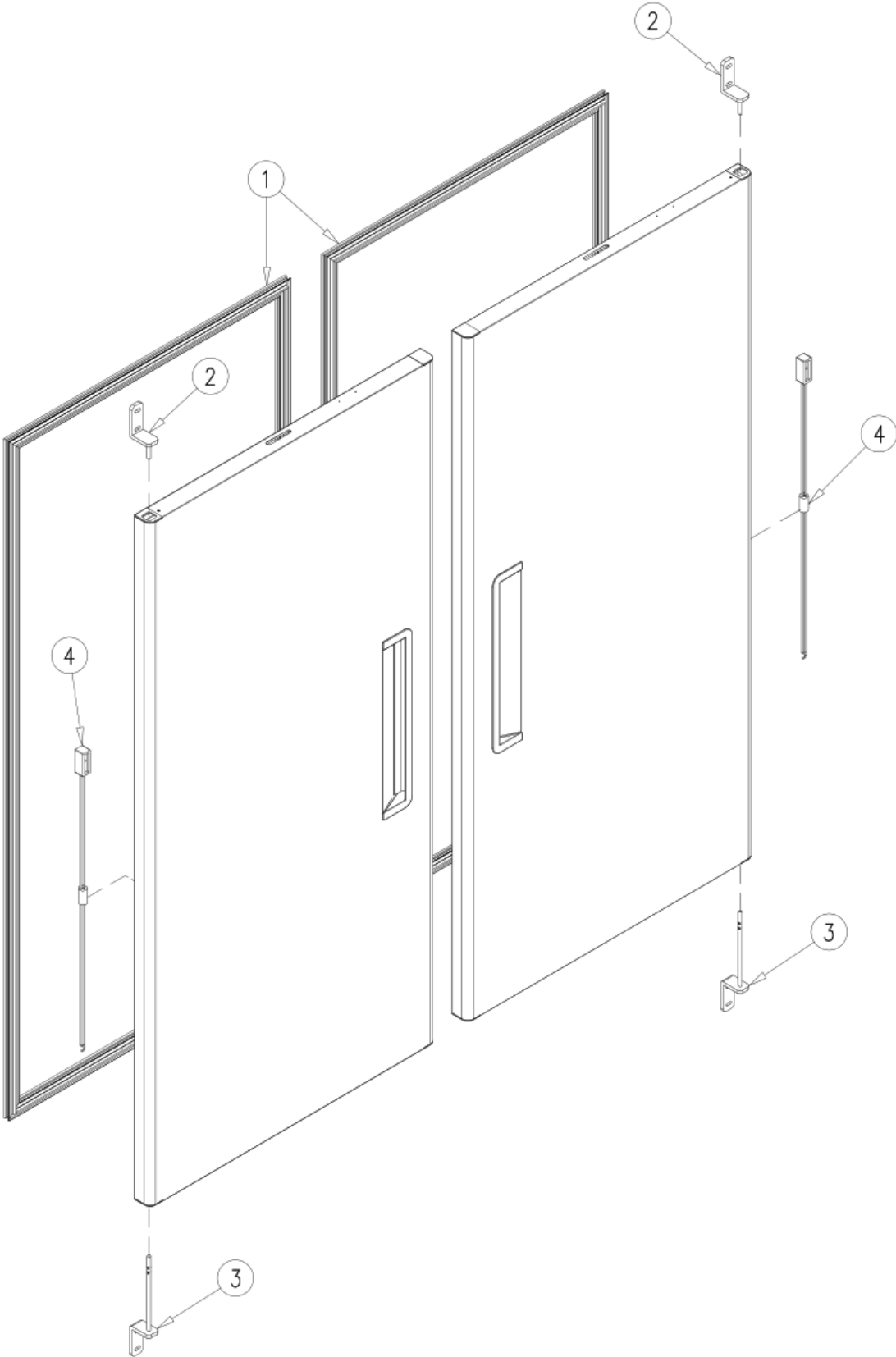
CONDENSING UNIT ASSEMBLY

<i>Item No.</i>	<i>Description</i>	<i>Part No.</i>	<i>Quantity per cooler</i>
1	COMPRESSOR (1/2HP 115-127V/60HZ R-290)	NPT16LR	1
2	EXTERNAL PROTECTOR (T0534)	EL-2142-R	1
3	PTC RELAY (2014 191)	EL-2141-R	1
4	START CAPACITOR (200 μ F 160V)	CAP-200-160	1
5	RUN CAPACITOR (30 μ F 250V)	CAP-30-250	1
6	ELECTRICAL BOX	EL-2117-R	1
7	CONDENSER	CO-454-L*	1
8	CONDENSER FAN MOTOR	FA-122-SW-1550*	1
9	CONDENSER FAN BLADE	FA-11-WE	1
10	CONDENSER FAN MOTOR BRACKET	FA-18	1
11	DRIER	DR-29-P	1
12	POWER CORD (9 ft)	EL-1260-9*	1
13	OVERFLOW DRAIN PAN	OT-IN-0032*	1

*Parts Change With Serial Number Break

ITEM No.	Description	Inter-change-able	Previous Component	Hoshizaki Last Serial Number and Earlier	Current Component	Hoshizaki First Serial Number and Later
7	CONDENSER	YES	CO-454	N-00258(H)	CO-454-L	N-00115(L)
8	CONDENSER FAN MOTOR	YES	FA-41	M-00625(C)	FA-122-SW-1550	M-00001(E)
12	POWER CORD	YES	OT-EL-1265-9-4784	N-00092(H)	EL-1260-9	N-00121(H)
13	OVERFLOW DRAIN PAN	NO	OT-TF-0383	N-00224(E)	OT-IN-0032	N-00070(G)

DOOR ASSEMBLY

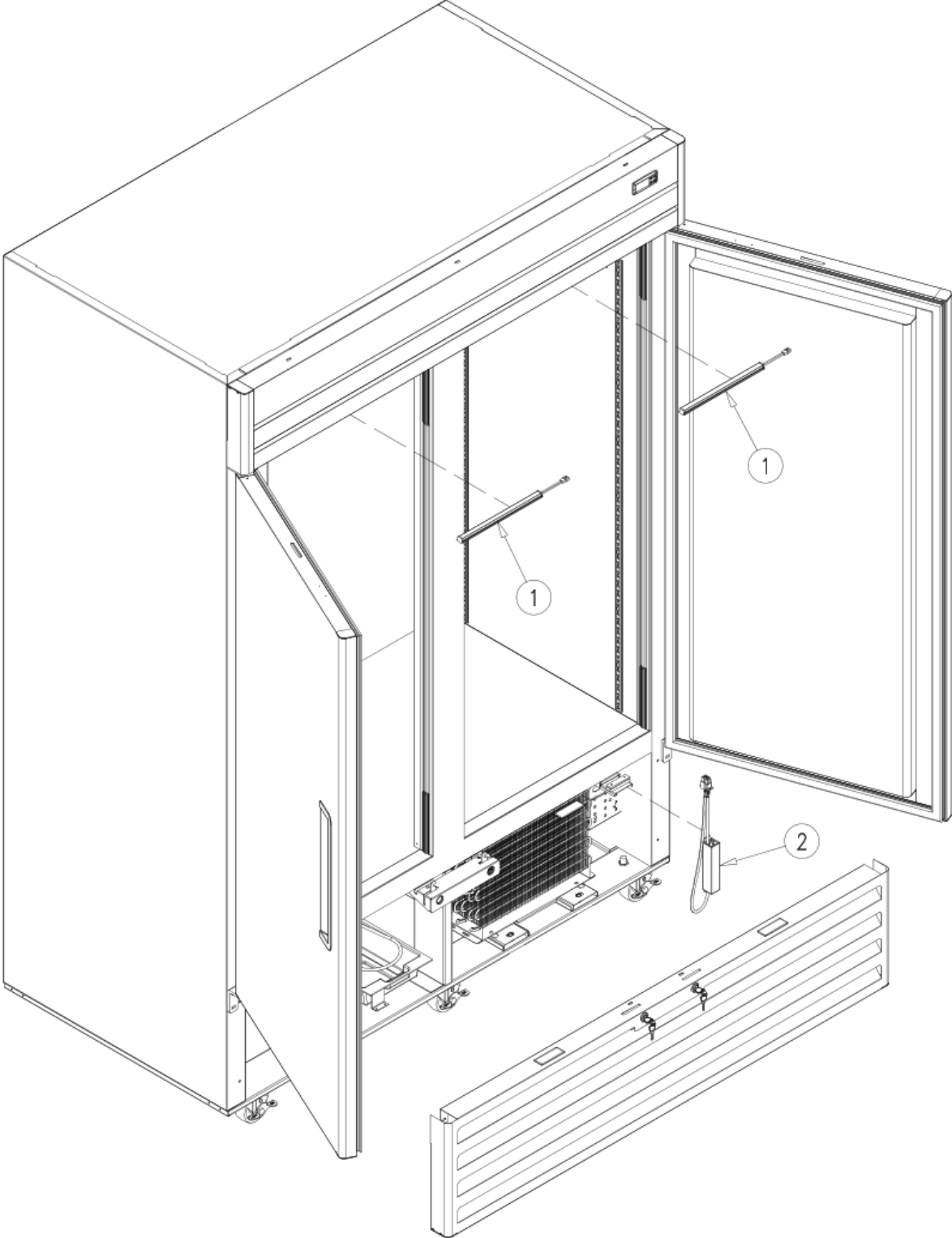


DOOR ASSEMBLY

<i>Item No.</i>	<i>Description</i>	<i>Part No.</i>	<i>Quantity per cooler</i>
1	MAGNETIC GASKET	OT-GA-500-PTA-0249*	2
2	UPPER HINGE ASSEMBLY	HA-535-R-K*	2
3	LOWER HINGE ASSEMBLY	HA-522-R-K*	2
4	TORSION MECHANISM	HA-479	2

*Parts Change With Serial Number Break						
ITEM No.	Description	Inter-changeable	Previous Component	Hoshizaki Last Serial Number and Earlier	Current Component	Hoshizaki First Serial Number and Later
1	MAGNETIC GASKET	YES	OT-GA-400-PTA-0249	L-00284(C)	OT-GA-500-PTA-0249	L-00410(E)
2	UPPER HINGE ASSEMBLY	YES	HA-647-R-K	L-00284(C)	HA-535-R-K	L-00410(E)
3	LOWER HINGE ASSEMBLY	YES	HA-646-R-K	L-00284(C)	HA-522-R-K	L-00410(E)

LIGHTING SYSTEM



LIGHTING SYSTEM

<i>Item No.</i>	<i>Description</i>	<i>Part No.</i>	<i>Quantity per cooler</i>
1	LED LAMP STRIP (9 3/4")	EL-145	2
2	LED DRIVER (1.25 Amp.)	OT-EL-151-T	1