

NO.	U2AF-864
ISSUED:	JAN. 31, 1990
REVISED:	NOV. 16, 1993

HOSHIZAKI

MODULAR FLAKER

MODEL F-1100MAA

PARTS LIST

K-1	JAN. 1990
K-2	MAR 1990
A-0	DEC. 1990
B-0	DEC. 1991
B-1	SEP. 1992
B-2	OCT. 1992
C-0	DEC. 1992
C-1	AUG. 1993

FINAL

MATERIAL ABBREVTATIONS

PLASTIC

ABS	=	Acrylonitrile-butadien-styrene
AC	=	Polyacetal
EVA	=	Elhylene vinyl acetate
PA	=	Polyamide =Nylon
PC	=	Polycarbonate
PE	=	Polyethylene
PES	=	Polyester
PETP	=	Polyethylene terephthalate =Tetlon
PF	=	Phenol-formaldehyde
PP	=	Poly prop yleneoride
PS	=	Polystyrene
PTFE	=	Polytetrafluorocthylene =Teflon
PUR	=	Polyurethane
PVC	=	Polyvinyl chloride

RUBBER

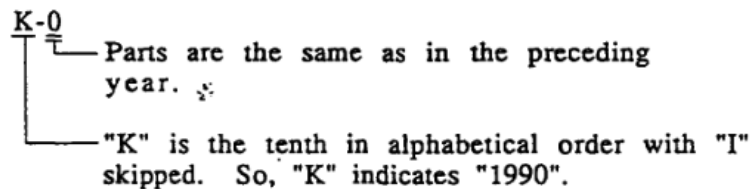
EPDM	=	EP rubber
NBR	=	Nitrile butadiene rubber
NR	=	Natural rubber
SI.R	=	Silicone rubber
SY.R	=	Synthetic rubber

STEEL

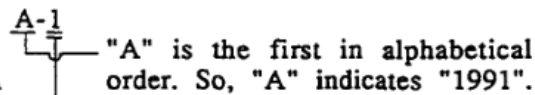
G.S	=	Galvanized steel
S.S	=	Stainless steel

AUXILIARY CODE

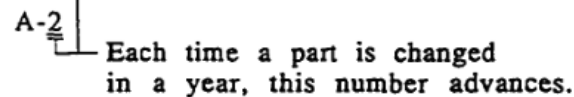
Ex.1



Ex.2



Ex.3

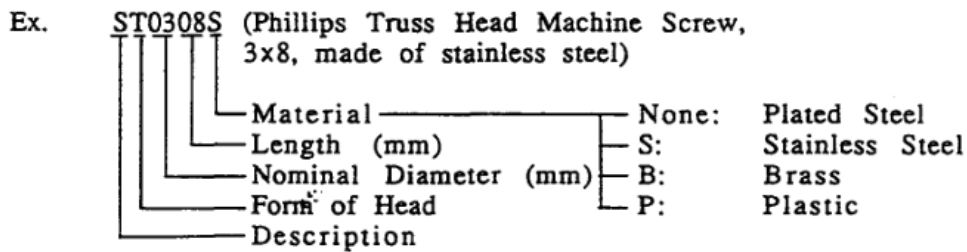


(Note)

- = Part deleted.
- X = Part deleted and replaced by "O" pan.
- O = New pan for "X" in the same auxiliary code.

FASTENER ABBREVIATION LIST

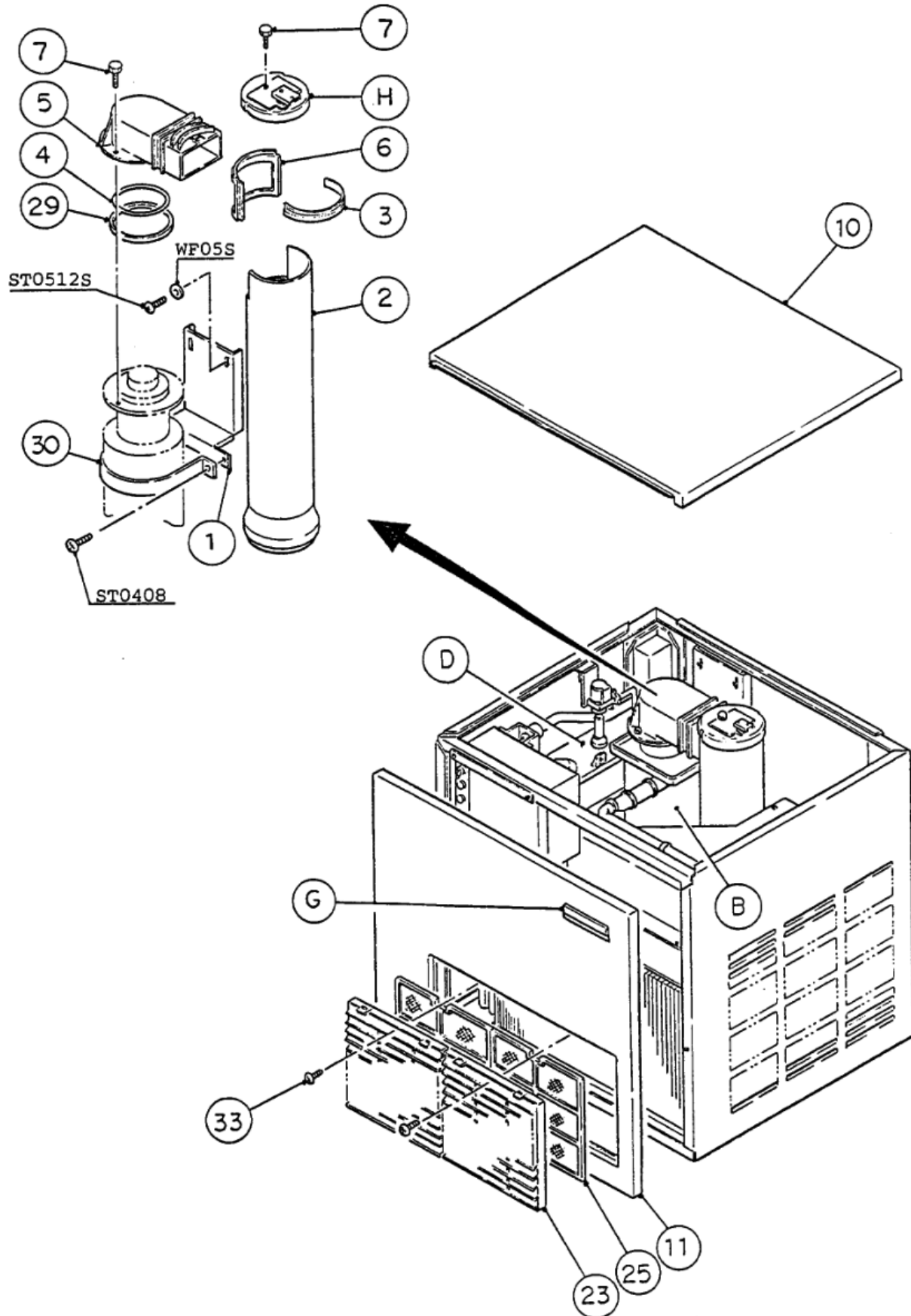
ST	Phillips Truss Head Machine Screw
SP	Phillips Pan Head Machine Screw
SF	Phillips Flat Head Machine Screw
SS	Phillips Pan Head Machine Screw with Split Lock Washer
SW	Phillips Pan Head Machine Screw with Split Lock Washer and Flat Washer
T1	Phillips Truss Head Tapping Screw (Correspond to Type A)
T2	Phillips Truss Head Tapping Screw (Correspond to Type B)
T3	Phillips Truss Head Tapping Screw (Correspond to Type C)
FT	Phillips Truss Head Tapping Screw (Special)
BH	Hexagon Head Bolt
EC	Socket Head Cap Screw
BS	Hexagon Bolt with Split Washer
BW	Hexagon Bolt with Split Washer and Flat Washer
BF	Hexagon Flange Bolt
BR	Cross-Recessed Hexagon Head Bolt
BRW	Cross-Recessed Hexagon Head Bolt with Split Lock Washer and Flat Washer
WL	Split Lock Washer
WT	External Tooth Washer
WF	Flat Washer
WS	Spring Washer
NH	Hexagon Nut
NF	Hexagon Flange Nut
NC	Hexagon Cap Nut
NS	Square Nut
NW	Wing Nut

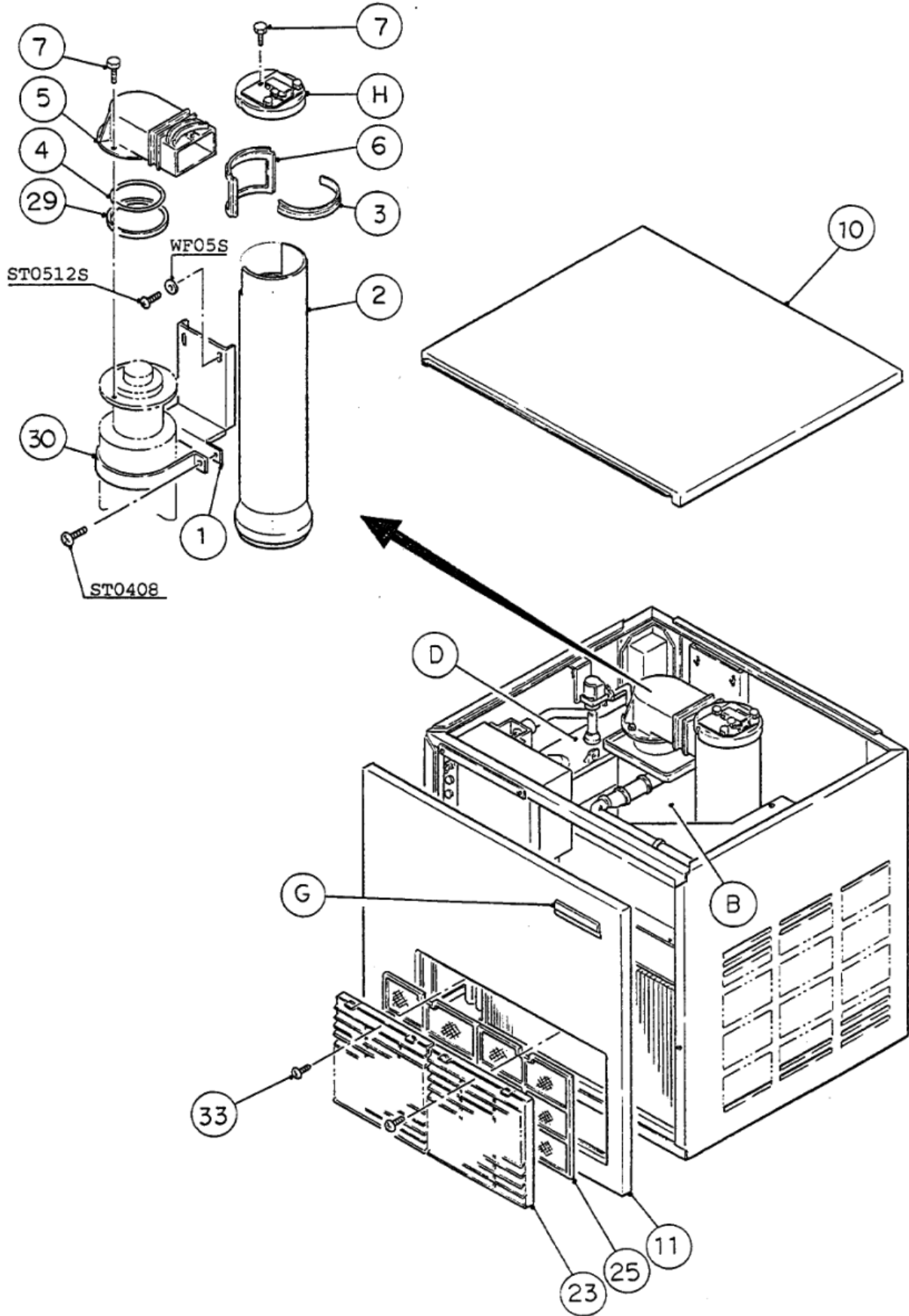


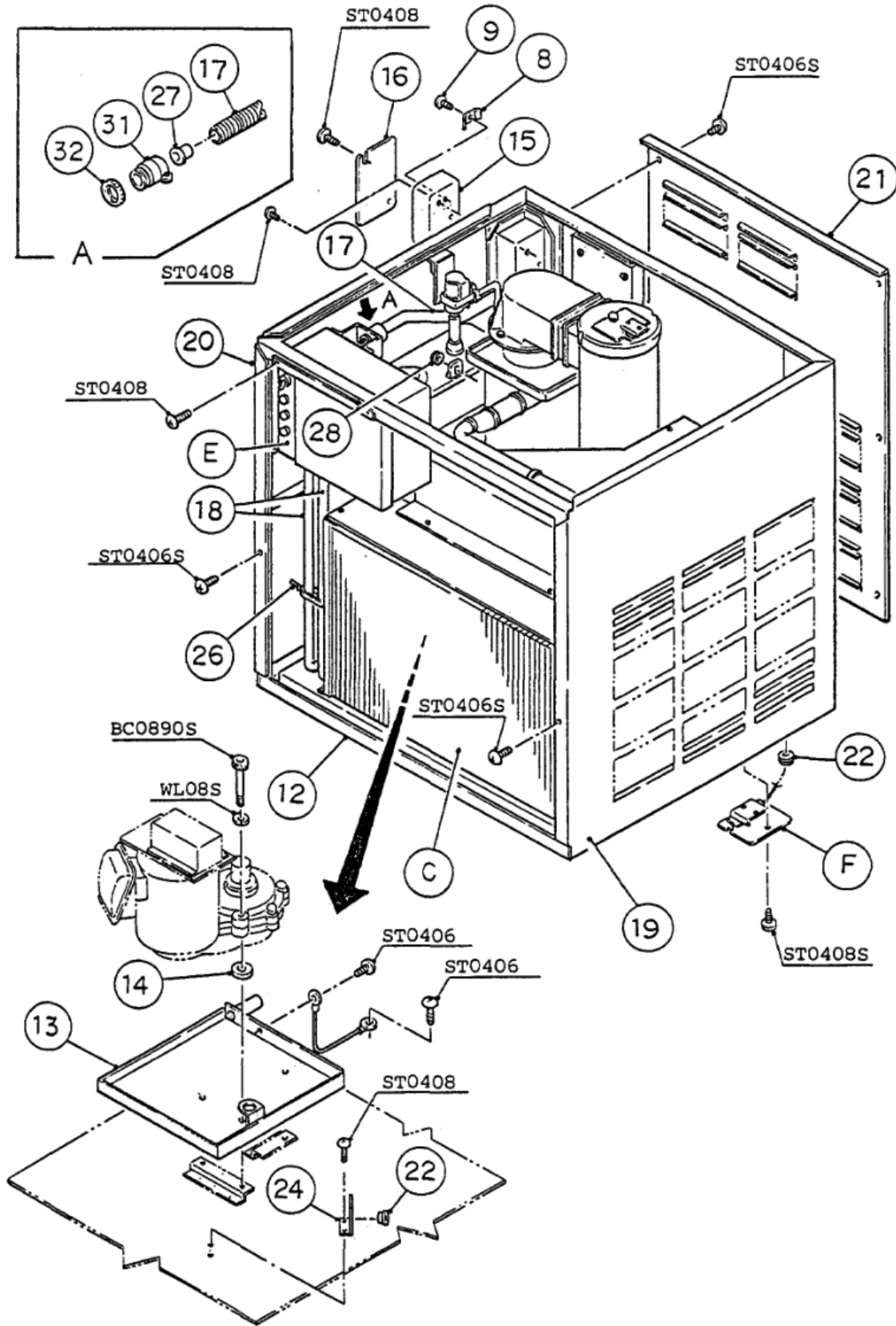
(Note) Second character is numerical except the list.

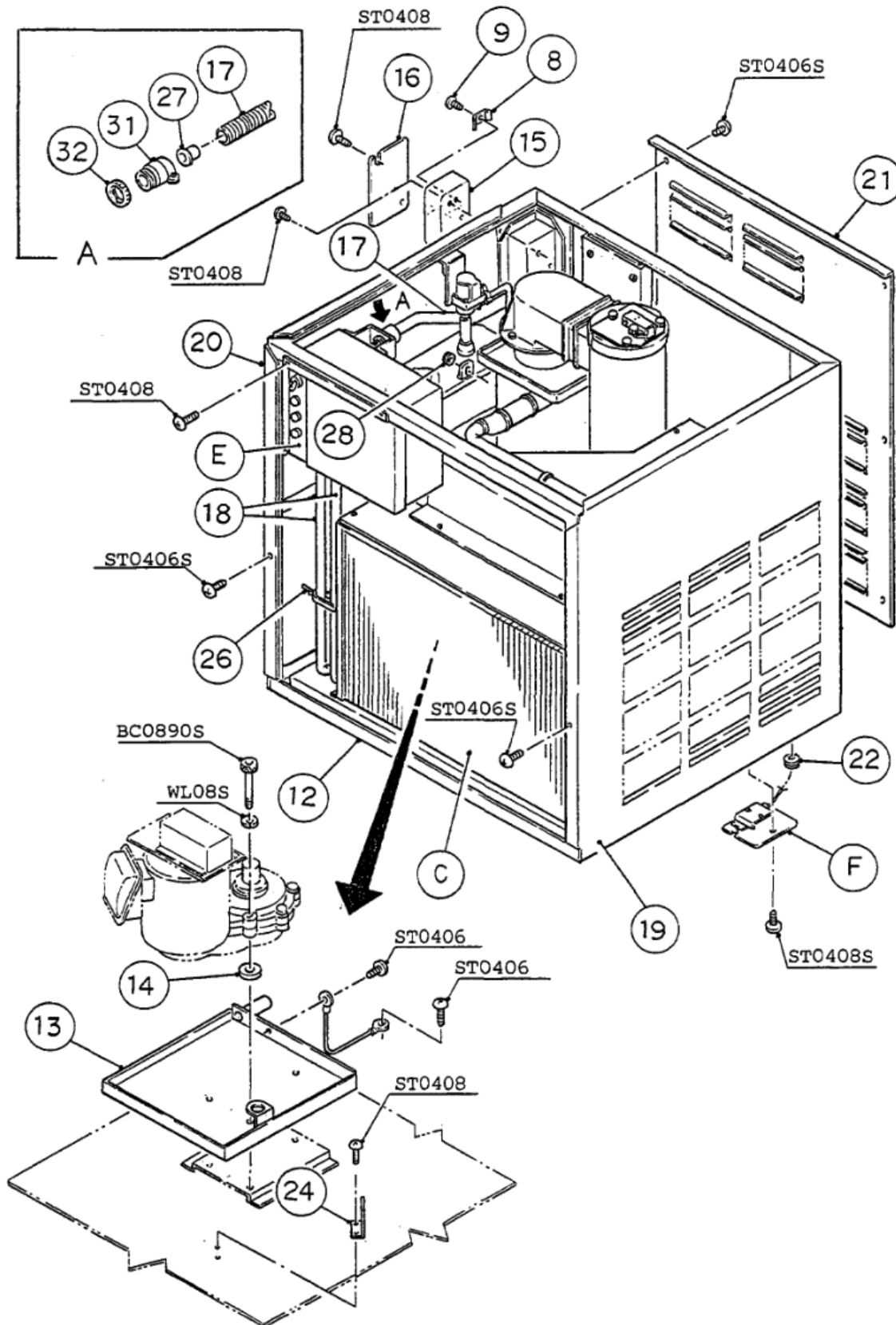
Ex. SI, S2, B3

And abbreviations and names are shown under the illustration.







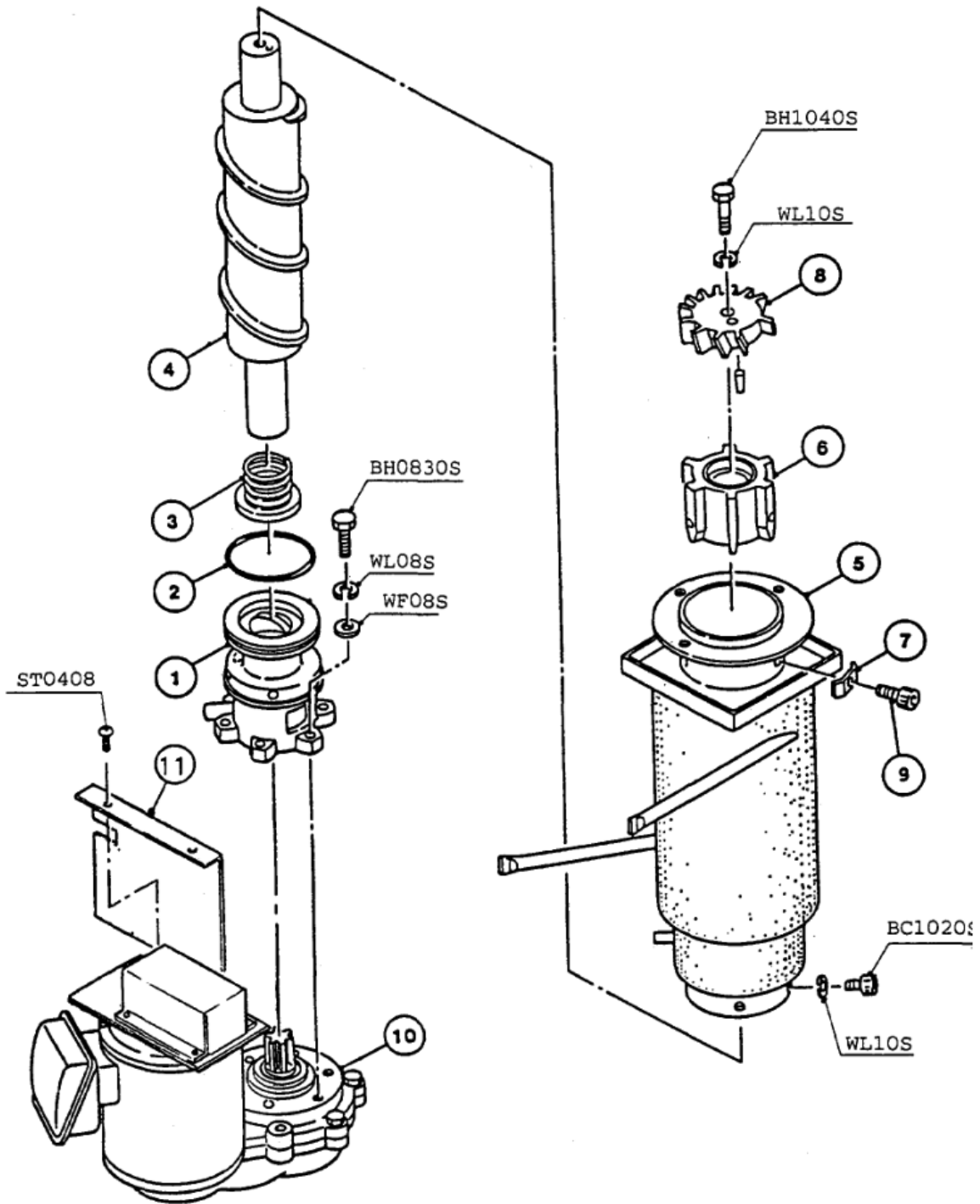


MODEL F-1100MAA		TITLE A. ICE FLAKER ASSY						
INDEX NO.	DESCRIPTION	MATERIAL OR MODEL NUMBER	PART NUMBER	REQ'D NUMBER				
				K-1	K-2	A-0	B-0	B-1
B	EVAPORATOR ASSY	-	319958A03	1	1	1	1	1
C	REFRIGERATION UNIT	-	104900A01	1	1	1	1	1
D	WATER CIRCUIT	-	103078A04	1	1	1	1	1
E	CONTROL BOX ASSY	-	214652A01	1	1	1	1	1
F	BIN SWITCH ASSY	-	317649A01	1	1	1	1	1
G	LABEL LOCATION	-	213149A04	1	1	1	1	1
H	SPOUT CONTROL ASSY	-	323313A01	1	-			
			325071A01		1	1	1	1
1	Bracket - Evaporator	G.S	431735-01	1	1	1	1	1
2	Chute	PE	315723-01	1	1	1	1	1
3	Packing - Chute	EPDM	425255-01	1	1	1	1	1
4	"O" Ring	G95	7616-G095	1	1	1	1	1
5	Spout	PC	103932G01	1	1	1	1	1
6	Packing - Spout	EPDM	315722-01	1	1	1	1	1
7	Thumbscrew	S.S, ABS	415949G03	1	1	1	1	1
8	Square Washer	Copper	433537-01	1	1	1	1	1
9	Screw - Grounding	Brass	433304-01	1	1	1	1	1
10	Top Panel	S.S	315750G01	1	1	1	1	1
11	Front Panel	S.S	317189-02	1	1	1	1	1
12	Frame	G.S	315778G10	1	1	1	1	1
13	Drip Pan	S.S	317168G01	1	1	1	1	1
14	Washer	PVC	422916-01	3	3	3	3	3
15	Junction Box	No.6001	421587-01	1	1	1	1	1
16	Cover - Junction Box	G.S	420594-01	1	1	1	1	1
17	Conduit	-	429313-02	1	1	1	1	1
18	Conduit	-	429313-01	2	2	2	2	2
19	Side Panel (Right)	S.S	318332G01	1	1	1	1	1
20	Side Panel (Left)	S.S	315748G02	1	1	1	1	1
21	Rear Panel	G.S	318331G02	1	1	1	1	1
22	Bushing	SB-437-5	420470-07	2	1	1	1	1
23	Louver (B)	PP	103121-01	2	2	2	2	2
24	Bracket - Connector	G.S	438073-01	1	1	1	1	1
25	Air Filter (B)	PP	208283G01	2	2	2	2	2
26	Tie	CV-150	7920-0003	1	1	1	1	1

MODEL F-1100MAA		TITLE A. ICE FLAKER ASSY						
INDEX NO.	DESCRIPTION	MATERIAL OR MODEL NUMBER	PART NUMBER	REQ'D NUMBER				
				B-2	C-0	C-1		
B	EVAPORATOR ASSY	-	319958A03	1	1	1		
C	REFRIGERATION UNIT	-	104900A01	-				
			104900A02	1	1	1		
D	WATER CIRCUIT	-	103078A04	1	1	1		
E	CONTROL BOX ASSY	-	214652A01	1	1	-		
			214652A04			1		
F	BIN SWITCH ASSY	-	317649A01	1	1	1		
G	LABEL LOCATION	-	213149A04	1	1	1		
H	SPOUT CONTROL ASSY	-	325071A01	1	1	1		
1	Bracket - Evaporator	G.S	431735-01	1	1	1		
2	Chute	PE	315723-01	1	1	1		
3	Packing - Chute	EPDM	425255-01	1	1	1		
4	"O" Ring	G95	7616-G095	1	1	1		
5	Spout	PC	103932G01	1	1	1		
6	Packing - Spout	EPDM	315722-01	1	1	1		
7	Thumbscrew	S.S, ABS	415949G03	1	1	1		
8	Square Washer	Copper	433537-01	1	1	1		
9	Screw - Grounding	Brass	433304-01	1	1	1		
10	Top Panel	S.S	315750G01	1	-	-		
			315750G02		1	1		
11	Front Panel	S.S	317189-02	1	-	-		
			317189-03		1	1		
12	Frame	G.S	315778G10	1	1	1		
13	Drip Pan	S.S	317168G01	1	1	1		
14	Washer	PVC	422916-01	3	3	3		
15	Junction Box	No.6001	421587-01	1	1	1		
16	Cover - Junction Box	G.S	420594-01	1	1	1		
17	Conduit	-	429313-02	1	1	1		
18	Conduit	-	429313-01	2	2	2		
19	Side Panel (Right)	S.S	318332G01	1	-	-		
			318332G02		1	1		
20	Side Panel (Left)	S.S	315748G02	1	-	-		
			315748G02		1	1		
21	Rear Panel	G.S	318331G02	1	1	1		
22	Bushing	SB-437-5	420470-07	2	1	1		
23	Louver (B)	PP	103121-01	2	2	2		
24	Bracket - Connector	G.S	438073-01	1	1	1		
25	Air Filter (B)	PP	208283G01	2	2	2		
26	Tie	CV-150	7920-0003	1	1	1		
27	Collar	Steel	430335-01	6	6	6		
28	Bushing	SR-30-1	420472-03	1	1	1		
29	Ring	PA	431736-01	1	1	1		
30	Strap	G.S	431737-01	1	1	1		
31	Fitting - Conduit	NS-1621	435753-01	6	6	6		
32	Nut	t3.6	435753F01	6	6	6		
33	Tapping Screw - Black	Steel	433954-01	2	2	2		

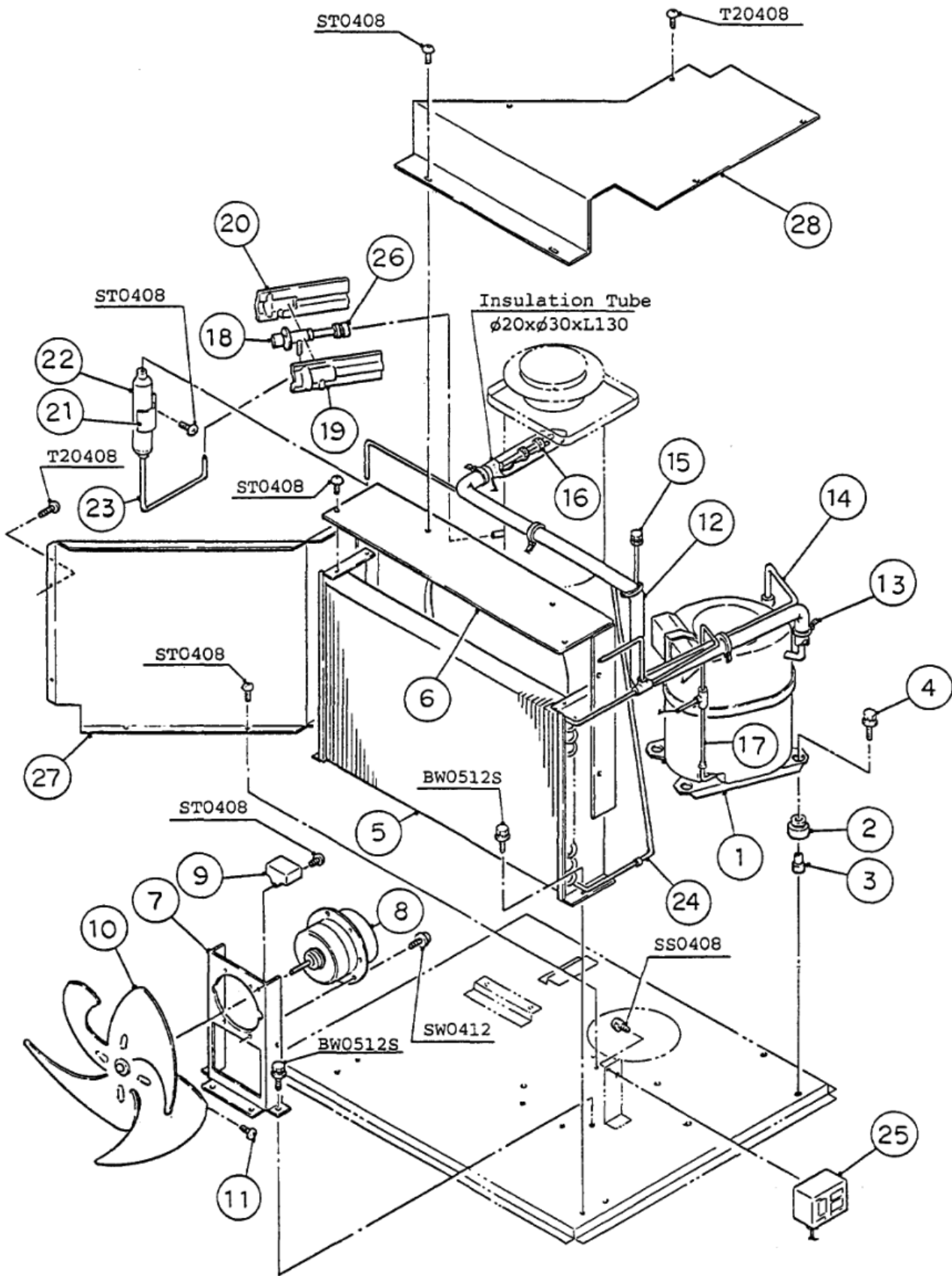
HA

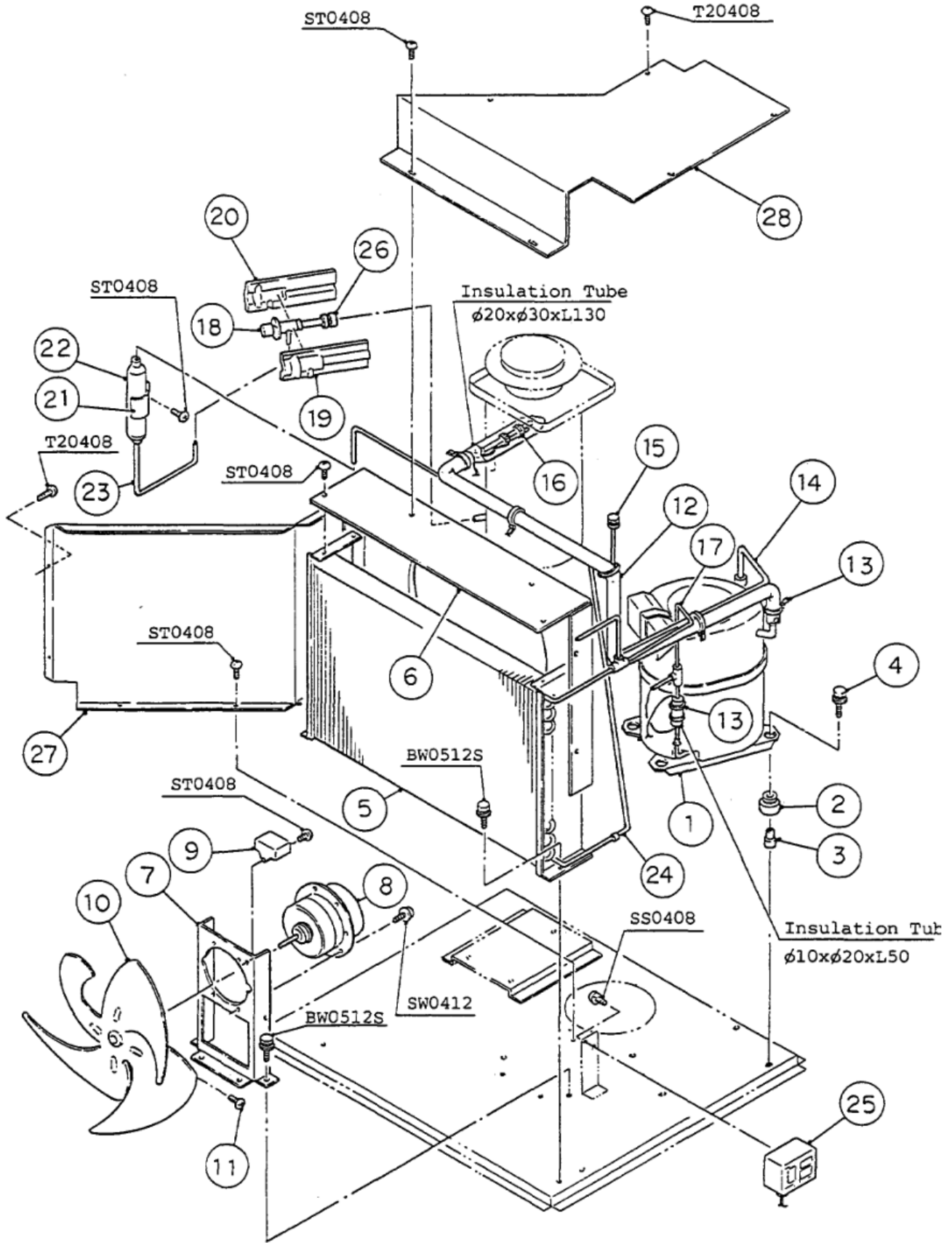
MODEL		TITLE						
F-1100MAA		A. ICE FLAKER ASSY						
INDEX NO.	DESCRIPTION	MATERIAL OR MODEL NUMBER	PART NUMBER	REQ'D NUMBER				
				K-1	K-2	A-0	B-0	B-1
27	Collar	Steel	430335-01	6	6	6	6	6
28	Bushing	SR-30-1	420472-03	1	1	1	1	1
29	Ring	PA	431736-01	1	1	1	1	1
30	Strap	G.S	431737-01	1	1	1	1	1
31	Fitting - Conduit	NS-1621	435753-01	6	6	6	6	6
32	Nut	13.6	435753F01	6	6	6	6	6
33	Tapping Screw - Black	Steel	433954-01	2	2	2	2	2

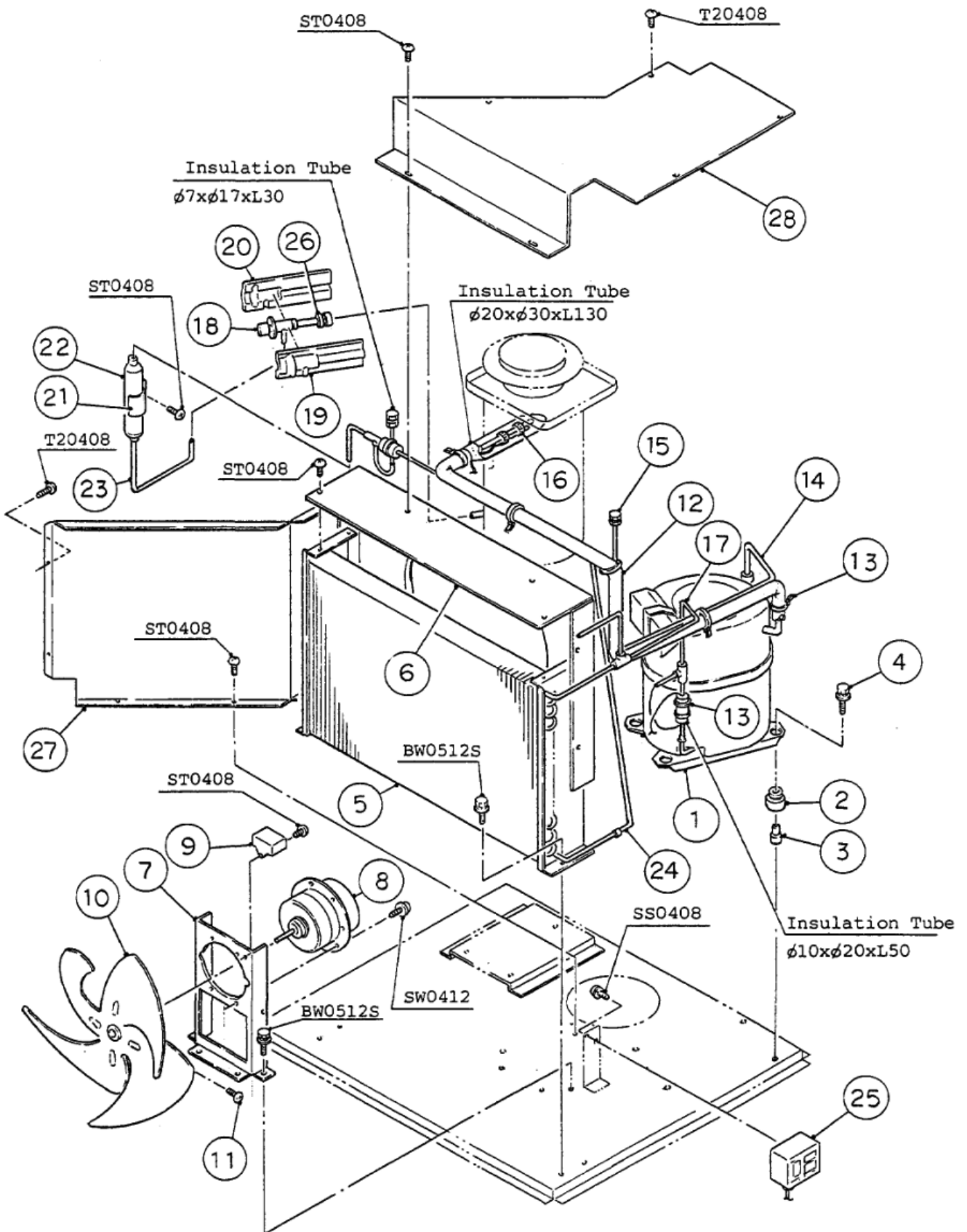


HA

MODEL		TITLE									
F-1100HAA		B. EVAPORATOR ASSY									
INDEX NO.	DESCRIPTION	MATERIAL OR MODEL NUMBER	PART NUMBER	REQ'D NUMBER							
				K-1	K-2	A-0	B-0	B-1	B-2	C-0	C-1
1	Bearing (Lower)	-	315732G02	1	1	1	1	1	1	1	1
2	"O" Ring	G90	7616-G090	1	1	1	1	1	1	1	1
3	Mechanical Seal	HK9A-MN	432493-01	1	1	1	1	1	1	1	1
4	Auger	S.S	211062G01	1	1	1	1	1	1	1	1
5	Evaporator	-	425273G04	1	1	1	1	1	1	1	1
6	Extruding Head	S.S	208117G02	1	1	1	1	1	1	1	1
7	Washer	S.S	425277-01	3	3	3	3	3	3	3	3
8	Cutter	S.S	315734-01	1	1	1	1	1	1	1	1
9	Socket Head Cap Screw	S.S, M10	429121-02	3	3	3	3	3	3	3	3
10	Gear Motor	MGZ2200UL-160	432068-01	1	1	1	1	1	1	1	1
11	Cover - Gear Motor	G.S	431532-01	1	1	1	1	1	1	1	1

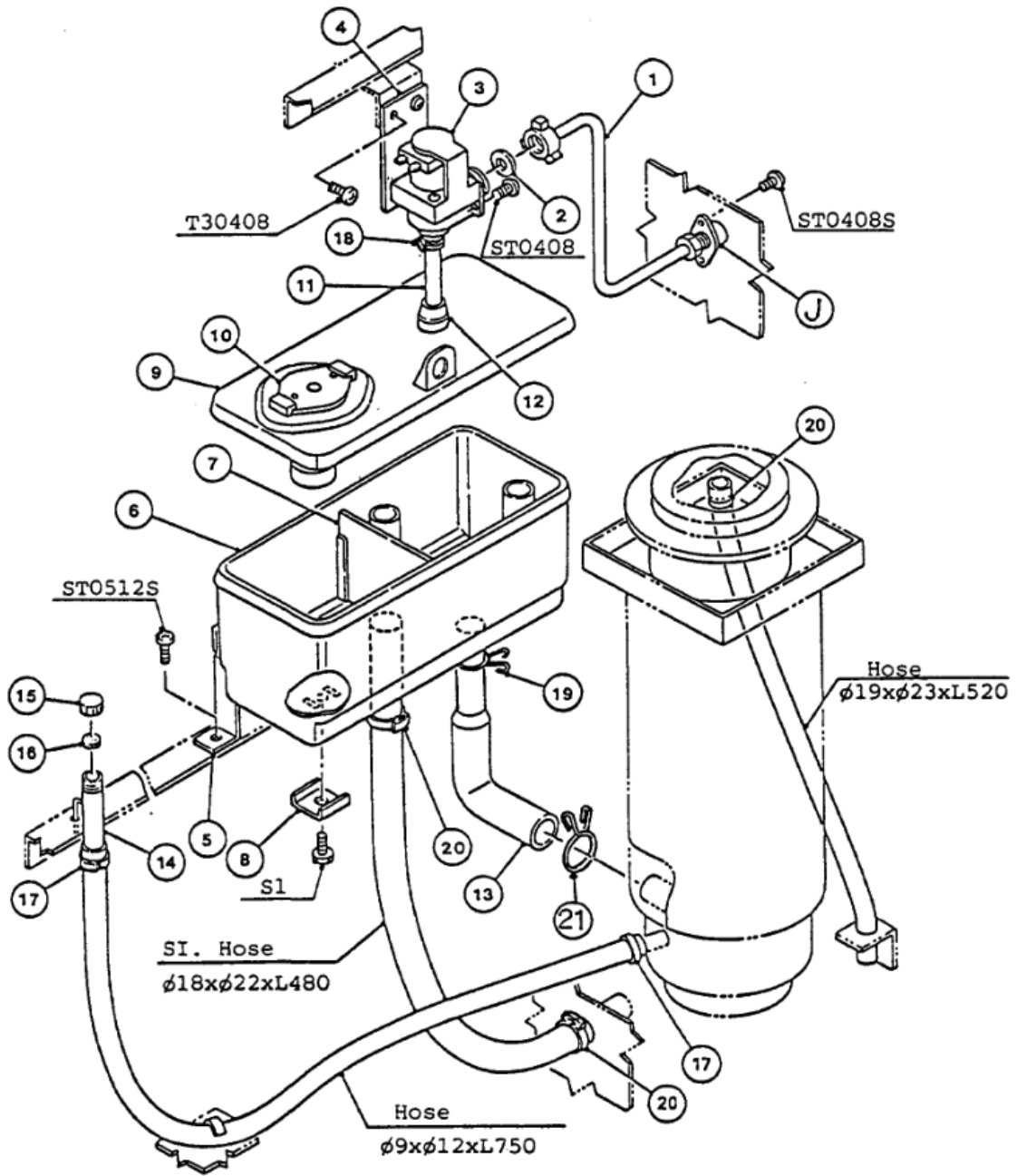






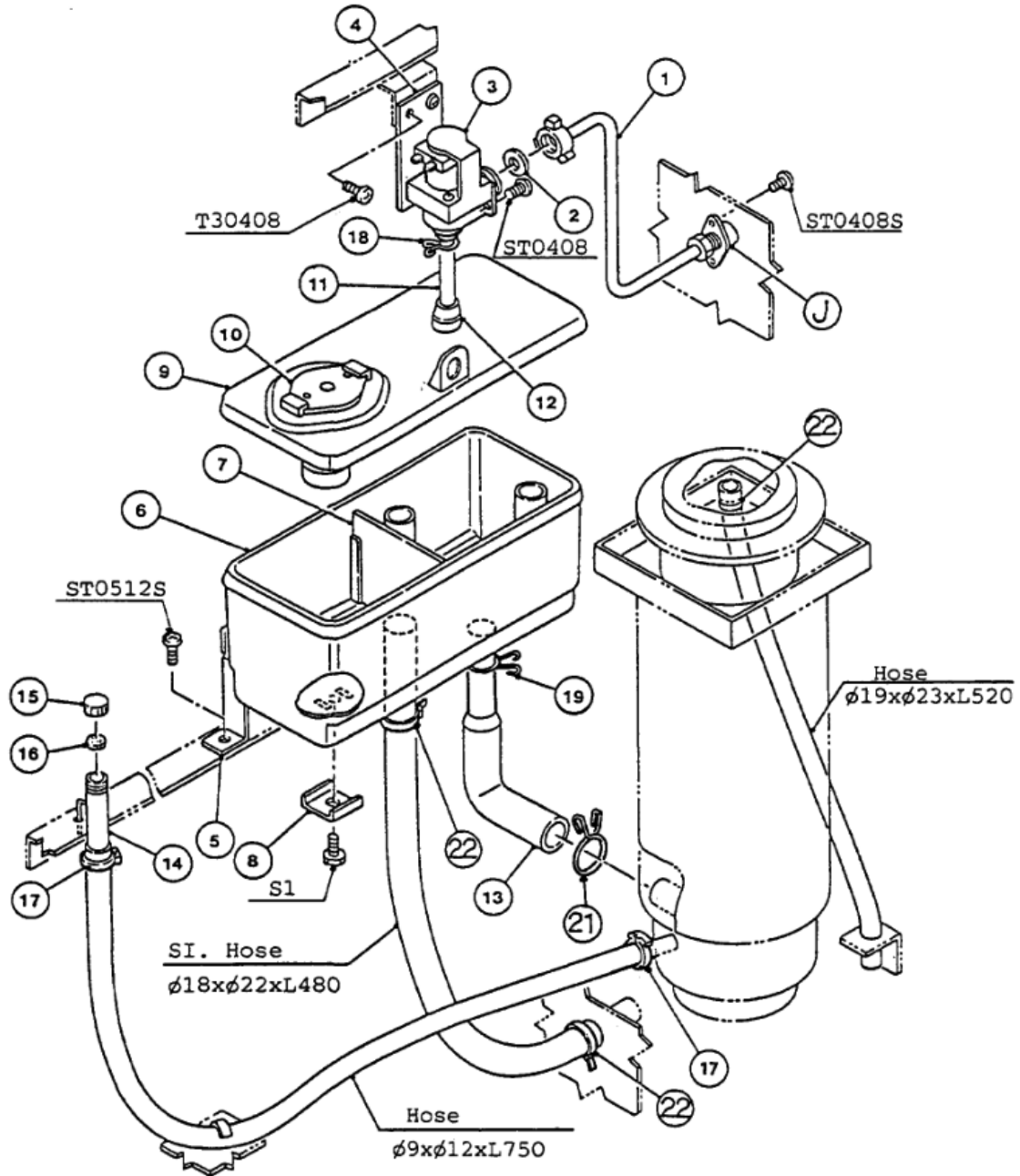
MODEL		TITLE						
F-1100HAA		C. REFRIGERATION UNIT						
INDEX NO.	DESCRIPTION	MATERIAL OR MODEL NUMBER	PART NUMBER	REQ'D NUMBER				
				K-1	K-2	A-0	B-0	B-1
1	Compressor	REK3-0125-PFV	434209-01	1	1	1	1	1
2	Grommet	527-0039-04	434403-01	4	4	4	4	4
3	Spacer	527-0039-04	434404-01	4	4	4	4	4
4	Bolt	M8x50	436206-01	4	4	4	4	4
5	Condenser - Air-cooled	-	206032-01	1	1	1	1	1
6	Shroud	G.S	209568-02	1	1	1	1	1
7	Bracket - Fan Motor	G.S	320478-01	1	1	1	1	1
8	Fan Motor	EP-TZ56(A)	2U0090-02	1	1	1	1	1
9	Capacitor - Fan Motor	6 μ F 220V	431928-01	1	1	1	1	1
10	Fan Blade	FW-30PHL	417068-01	1	1	1	1	1
11	Screw - Fan Blade	M6	417068F01	1	1	1	1	1
12	Copper Tube - Low Side	Copper	324931G01	1	1	1	1	1
13	Tie	CV-150	7920-0003	7	9	9	9	9
14	Copper Tube - Access Valve	Copper	324934-01	1	1	1	1	1
15	Access Valve	TCJ-2F15-HD	417366-01	1	1	1	1	1
16	Clamp	D11-S	435254-04	2	2	2	2	2
17	Copper Tube - High Side	Copper	324930G01	1	1	1	1	1
18	Expansion Valve	HFE-10RHD-3	433534-03	1	1	1	1	1
19	Cover (A) - EXPV.	PE	324313-01	1	1	1	1	1
20	Cover (B) - EXPV.	PE	324313-02	1	1	1	1	1
21	Strap	G.S	425280-02	1	1	1	1	1
22	Drier	KC-6749	427061-01	1	1	1	1	1
23	Copper Tube (J) - High Side	Copper	425286-03	1	1	1	1	1
24	Copper Tube (F) - High Side	Copper	324932-01	1	1	1	1	1
25	Pressure Switch	SNS-2C130YQ3	425679-01	1	1	1	1	1
26	Socket	Copper	436578-01	1	1	1	1	1
27	Partition (A)	G.S	318284-01	1	1	1	1	1
28	Partition (B)	G.S	324933-01	1	1	1	1	1

MODEL		TITLE							
F-1100MAA		C. REFRIGERATION UNIT							
INDEX NO.	DESCRIPTION	MATERIAL OR MODEL NUMBER	PART NUMBER	REQ'D NUMBER					
				B-2	C-0	C-1			
1	Compressor	REK3-0125-PFV	434209-01	1	1	1			
2	Grommet	527-0039-04	434403-01	4	4	4			
3	Spacer	527-0039-04	434404-01	4	4	4			
4	Bolt	M8x50	436206-01	4	4	4			
5	Condenser - Air-cooled	-	206032-01	1	1	1			
6	Shroud	G.S	209568-02	1	1	1			
7	Bracket - Fan Motor	G.S	320478-01	1	1	1			
8	Fan Motor	EP-TZ56(A)	2U0090-02	1	1	1			
9	Capacitor - Fan Motor	6 μ F 220V	431928-01	1	1	1			
10	Fan Blade	FW-30PHL	417068-01	1	1	1			
11	Screw - Fan Blade	M6	417068F01	1	1	1			
12	Copper Tube - Low Side	Copper	324931G01	1	1	1			
13	Tie	CV-150	7920-0003	9	9	9			
14	Copper Tube - Access Valve	Copper	324934-01	1	1	1			
15	Access Valve	TCJ-2F15-HD	417366-01	1	1	1			
16	Clamp	D11-S	435254-04	2	2	2			
17	Copper Tube - High Side	Copper	324930G01	1	1	1			
18	Expansion Valve	HFE-10RHD-3	433534-03	1	1	1			
19	Cover (A) - EXPV.	PE	324313-01	1	1	1			
20	Cover (B) - EXPV.	PE	324313-02	1	1	1			
21	Strap	G.S	425280-02	1	1	1			
22	Drier -	KC-6749	427061-01	1	1	1			
23	Copper Tube (J) - High Side	Copper	425286-03	1	1	1			
24	Copper Tube (F) - High Side	Copper	324932-01	-					
			219018G01	1	1	1			
25	Pressure Switch	SNS-2C130YQ3	425679-01	1	1	1			
26	Socket	Copper	436578-01	1	1	1			
27	Partition (A)	G.S	318284-01	1	1	1			
28	Partition (B)	G.S	324933-01	1	1	1			



FASTENER

SI - Thumbscrew, M4x6

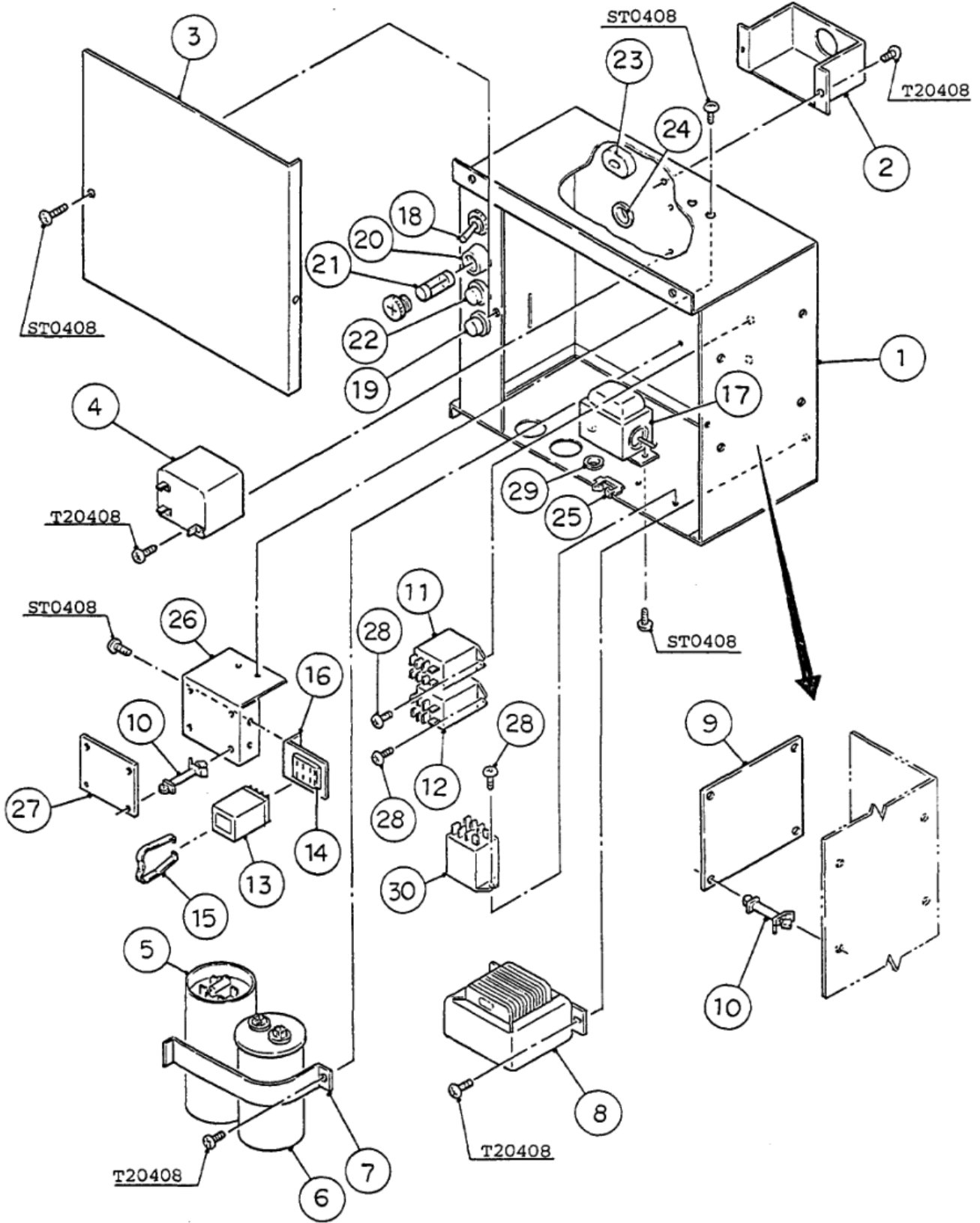


FASTENER

S1 - Thumbscrew, M4x6

MODEL		TITLE						
F-1100MAA		D. WATER CIRCUIT						
INDEX NO.	DESCRIPTION	MATERIAL OR MODEL NUMBER	PART NUMBER	REQ'D NUMBER				
				K-1	K-2	A-0	B-0	B-1
J	FITTING (K) ASSY	(S-0331)	310978A01	1	1	1	1	1
1	Pipe - Water Supply	S.S	425287G01	1	1	1	1	1
2	Packing	NBR	413854-03	1	1	1	1	1
3	Water Valve	J246-086	3U0065-01	1	1	1	1	1
4	Bracket - Water Valve	G.S	425288-01	1	1	1	1	1
5	Bracket - Reservoir	G.S	315744-01	1	1	1	1	1
6	Reservoir	ABS	208125-02	1	1	1	1	1
7	Separator - Reservoir	ABS	423538-02	1	1	1	1	1
8	Collar	S.S	423416-01	1	1	1	1	1
9	Cover - Reservoir	ABS	208126-02	1	1	1	1	1
10	Float Switch	TW-1221-101	435490-01	1	1	1	1	1
11	Hose - Water Supply	EVA	425289-01	1	1	1	1	1
12	Cover - Reservoir Inlet	SI.R	415094-01	1	1	1	1	1
13	Hose - Water Supply	EPDH	428615-05	1	1	1	1	1
14	Pipe - Drain	S.S	425292G01	1	1	1	1	1
15	Cap - Drain	Brass	425293-01	1	1	1	1	1
16	Packing - Drain	Sy.R	425294-01	1	1	1	1	1
17	Clamp	MH-30N	421642-04	2	2	2	2	2
18	Clamp	MH-44N	421642-07	1	-			
		SK-17	435934-05		1	1	1	1
19	Clamp	SK-18.3	435934-06	1	1	1	1	1
20	Clamp	HH-56N	421642-09	3	-			
21	Clamp	SK-25	435934-07	1	1	1	1	1
22	Tie	CV-150	7920-0003		3	3	3	3

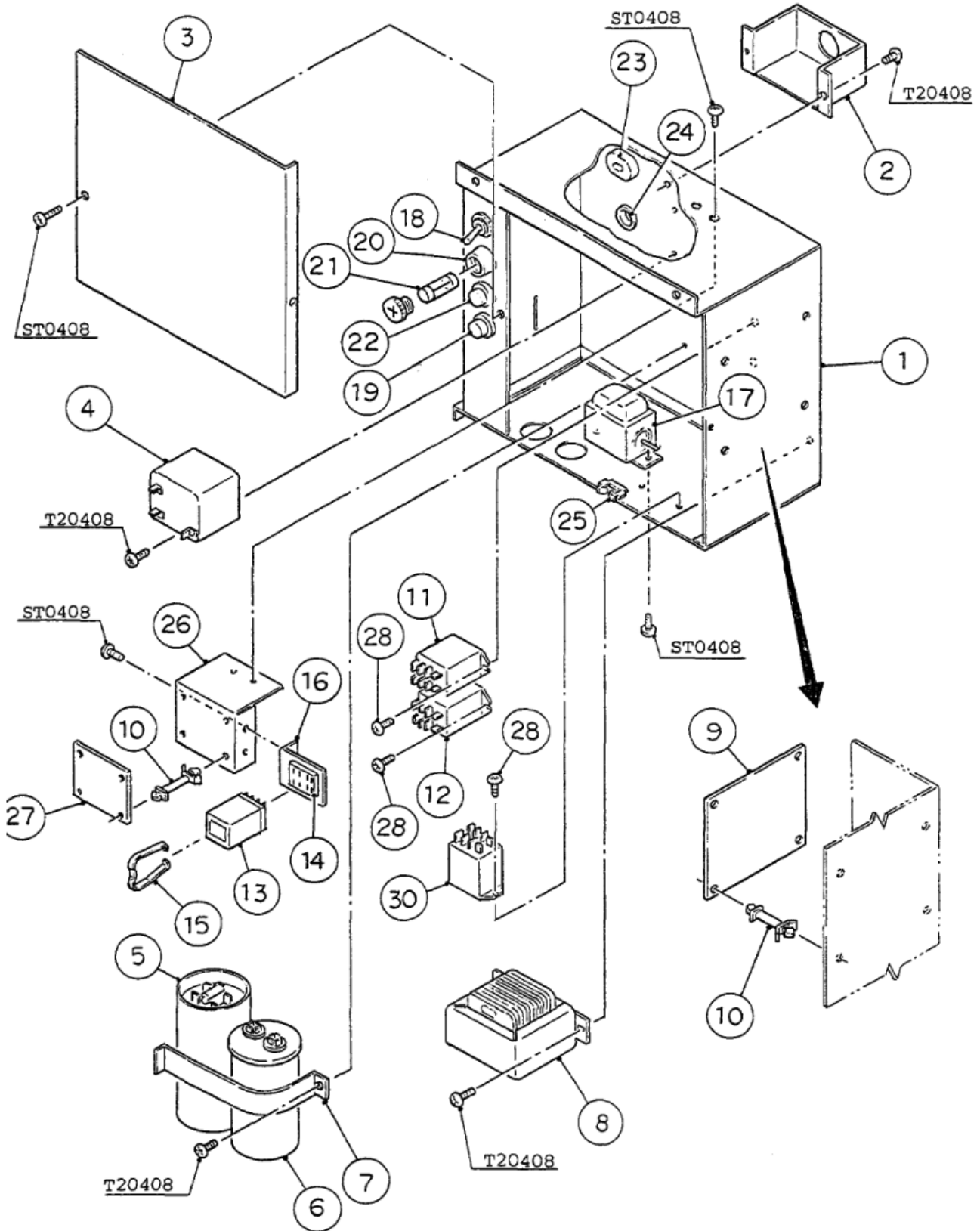
MODEL		TITLE						
F-1100HAA		D. WATER CIRCUIT						
INDEX NO.	DESCRIPTION	MATERIAL OR MODEL NUMBER	PART NUMBER	REQ'D NUMBER				
				B-2	C-0	C-1		
J	FITTING (K) ASSY	(S-0331)	310978A01	1	1	1		
1	Pipe - Water Supply	S.S	425287G01	1	1	1		
2	Packing	NBR	413854-03	1	1	1		
3	Water Valve	J246-086	3U0065-01	1	1	1		
4	Bracket - Water Valve	G.S	425288-01	1	1	1		
5	Bracket - Reservoir	G.S	315744-01	1	1	1		
6	Reservoir	ABS	208125-02	1	1	1		
7	Separator - Reservoir	ABS	423538-02	1	1	1		
8	Collar	S.S	423416-01	1	1	1		
9	Cover - Reservoir	ABS	208126-02	1	1	1		
10	Float Switch	TW-1221-101	435490-01	1	1	1		
11	Hose - Water Supply	EVA	425289-01	1	1	1		
12	Cover - Reservoir Inlet	SI.R	415094-01	1	1	1		
13	Hose - Water Supply	EPDH	428615-05	1	1	1		
14	Pipe - Drain	S.S	425292G01	1	1	1		
15	Cap - Drain	Brass	425293-01	1	1	1		
16	Packing - Drain	Sy.R	425294-01	1	1	1		
17	Clamp	MH-30N	421642-04	2	2	2		
18	Clamp	SK-17	435934-05	1	1	1		
19	Clamp	SK-18.3	435934-06	1	1	1		
20	-	-	-	-				
21	Clamp	SK-25	435934-07	1	1	1		
22	Tie	CV-150	7920-0003	3	3	3		



HA
F-1100MAA

E. CONTROL BOX ASSY

(C-1)
(B-1)(B-2)(C-0)
(K-2)(A-0)(B-0)



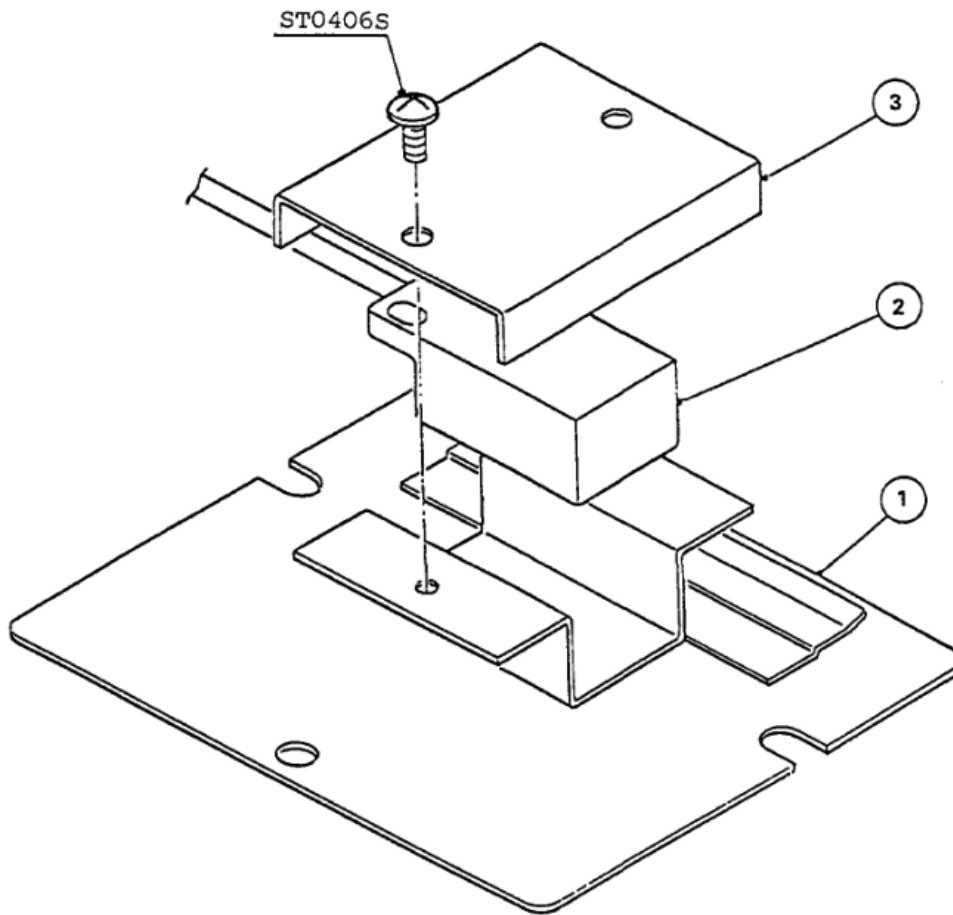
MODEL		TITLE							
F-1100MAA		E. CONTROL BOX ASSY							
INDEX NO.	DESCRIPTION	MATERIAL OR MODEL NUMBER	PART NUMBER	REQ'D NUMBER					
				K-1	K-2	A-0	B-0	B-1	
1	Control Box	G.S	315746G07	1	1	1	1	1	
2	Cover - Connector	G.S	425302-01	1	1	1	1	1	
3	Cover - Control Box	G.S	425301-01	1	1	1	1	1	
4	Starter	040-0001-26	434172-01	1	1	1	1	1	
5	Start Capacitor	014-0008-78	434171-02	1	1	1	1	1	
6	Run Capacitor	014-0037-09	434170-01	1	1	1	1	1	
7	Strap - Capacitor	G.S	431394-03	1	1	1	1	1	
8	Transformer	TR5268	2U0041-01	1	1	1	1	1	
9	Timer Board	H2AA144C01	437305-01	1	1	1	1	1	
10	Board Support	KGLS-6S	414929-01	8	8	8	8	8	
11	Relay	LY1F	418271-04	1	1	1	1	1	
12	Relay	LY2ZF	406132-06	1	1	1	1	1	
13	Keep Relay	HY2K-HO	418524-03	1	1	1	1	1	
14	Socket - Relay	PY-14	408328-02	1	1	1	1	1	
15	Clamp - Relay	PYC-P	411353-01	1	1	1	1	1	
16	Bracket - Relay	G.S	425300-01	1	1	1	1	1	
17	Thermostat	A10-9756	420465-01	1	1	1	1	1	
18	Toggle Switch	S-821	438030-01	1	1	1	1	1	
19	Push Button Switch	SB-4011N/OT3959	420466-01	1	1	1	1	1	
20	Fuse Holder	FH032	424288-01	1	1	1	1	1	
21	Fuse	FGAO-2 1A	420468-03	1	1	1	1	1	
22	Overload - Gear Motor	W58xBIA4A-2	425201-01	1	1	1	1	1	
23	Bushing	SR-7P-2	420472-07	1	1	1	1	1	
24	Bushing	SB-625-8	420470-01	1	1	1	1	1	
25	Edge Saddle	EDS-1	421552-01	1	1	1	1	1	
26	Beeper Bracket	G.S	323312-01	1	1	1	1	1	
27	Beeper	-	435937-01	1	1	1	1	1	
28	Tapping Screw	3x8	431415-01	6	6	6	6	6	
29	Bushing	SB-437-5	420470-07	1	-				
30	Relay	LY2F	406132-08	1	1	1	1	1	

MODEL		TITLE						
F-1100MAA		E. CONTROL BOX ASSY						
INDEX NO.	DESCRIPTION	MATERIAL OR MODEL NUMBER	PART NUMBER	REQ'D NUMBER				
				B-2	C-0	C-1		
1	Control Box	G.S	315746G07	1	1	1		
2	Cover - Connector	G.S	425302-01	1	1	1		
3	Cover - Control Box	G.S	425301-01	1	1	1		
4	Starter	040-0001-26	434172-01	1	1	1		
5	Start Capacitor	014-0008-78	434171-02	1	1	1		
6	Run Capacitor	014-0037-09	434170-01	1	1	-		
			434170-05			1		
7	Strap - Capacitor	G.S	431394-03	1	1	-		
			431394-01			1		
8	Transformer	TR5268	2U0041-01	1	1	1		
9	Timer Board	H2AA144C01	437305-01	1	1	1		
10	Board Support	KGLS-6S	414929-01	8	8	8		
11	Relay	LY1F	418271-04	1	1	1		
12	Relay	LY2ZF	406132-06	1	1	1		
13	Keep Relay	MY2K-HO	418524-03	1	1	1		
14	Socket - Relay	PY-14	408328-02	1	1	1		
15	Clamp - Relay	PYC-P	411353-01	1	1	1		
16	Bracket - Relay	G.S	425300-01	1	1	1		
17	Thermostat	A10-9756	420465-01	1	1	1		
18	Toggle Switch	S-821	438030-01	1	1	1		
19	Push Button Switch	SB-4011N/OT3959	420466-01	1	1	1		
20	Fuse Holder	FH032	424288-01	1	1	1		
21	Fuse	FGAO-2 1A	420468-03	1	1	1		
22	Overload - Gear Motor	W58xBIA4A-2	425201-01	1	1	1		
23	Bushing	SR-7P-2	420472-07	1	1	1		
24	Bushing	SB-625-8	420470-01	1	1	1		
25	Edge Saddle	EDS-1	421552-01	1	1	1		
26	Beeper Bracket	G.S	323312-01	1	1	1		
27	Beeper	-	435937-01	1	1	1		
28	Tapping Screw	3x8	431415-01	6	6	6		
29	-	-	-	-	-	-		
30	Relay	LY2F	406132-08	1	1	1		

HA
F-1100MAA

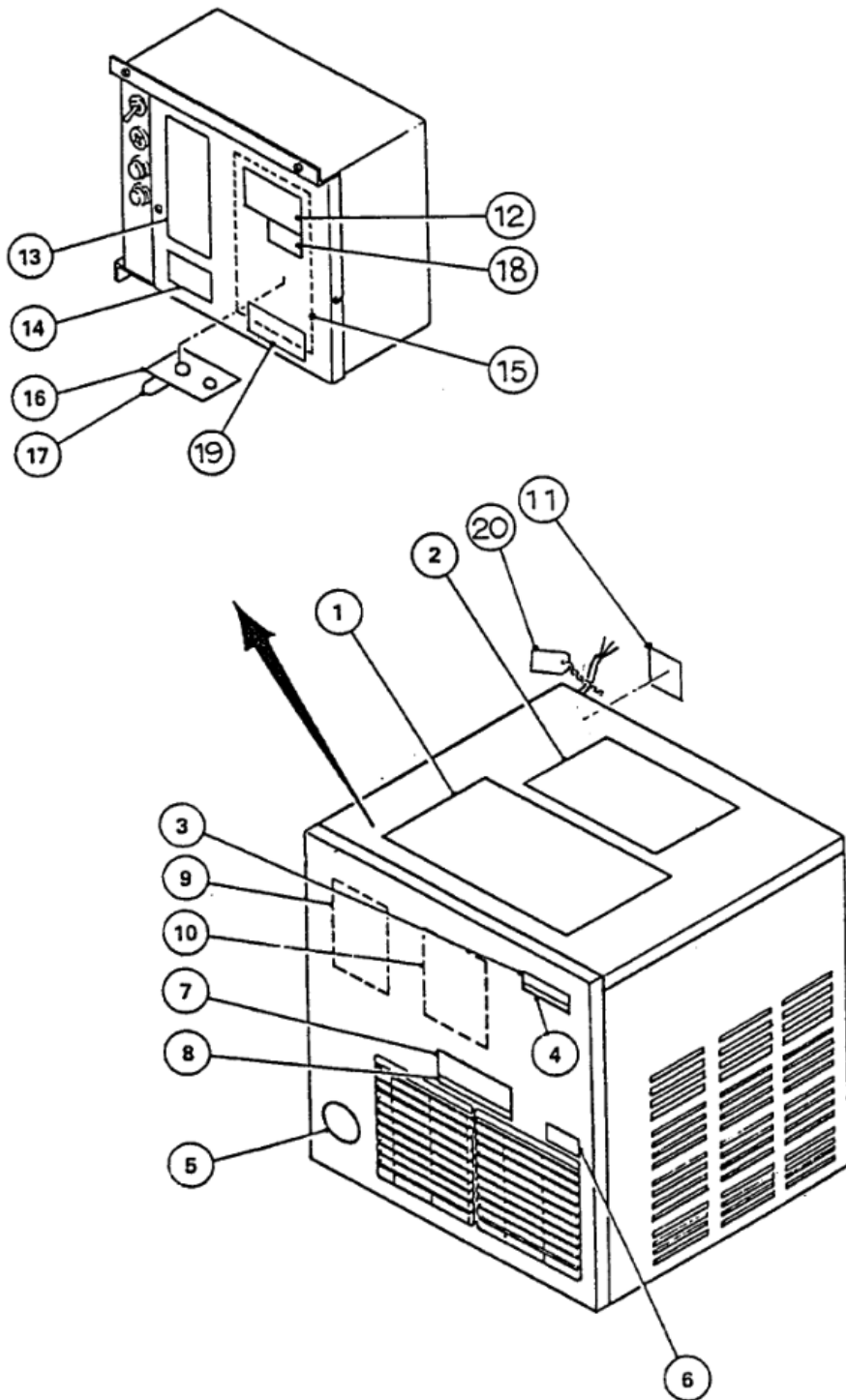
F. BIN SWITCH ASSY

(C-0)(C-1)
(B-0)(B-1)(B-2)
(K-1)(K-2)(A-0)



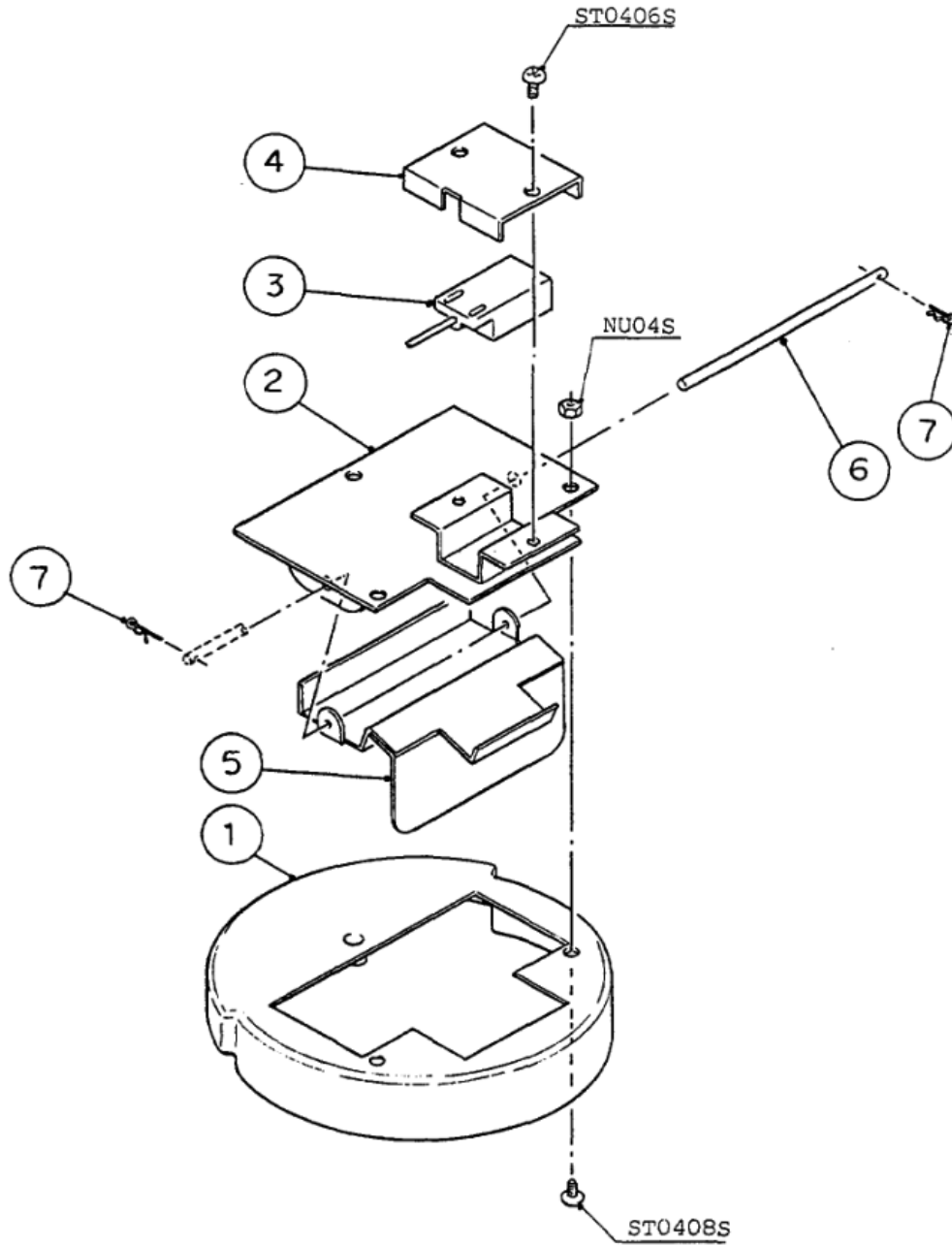
HA

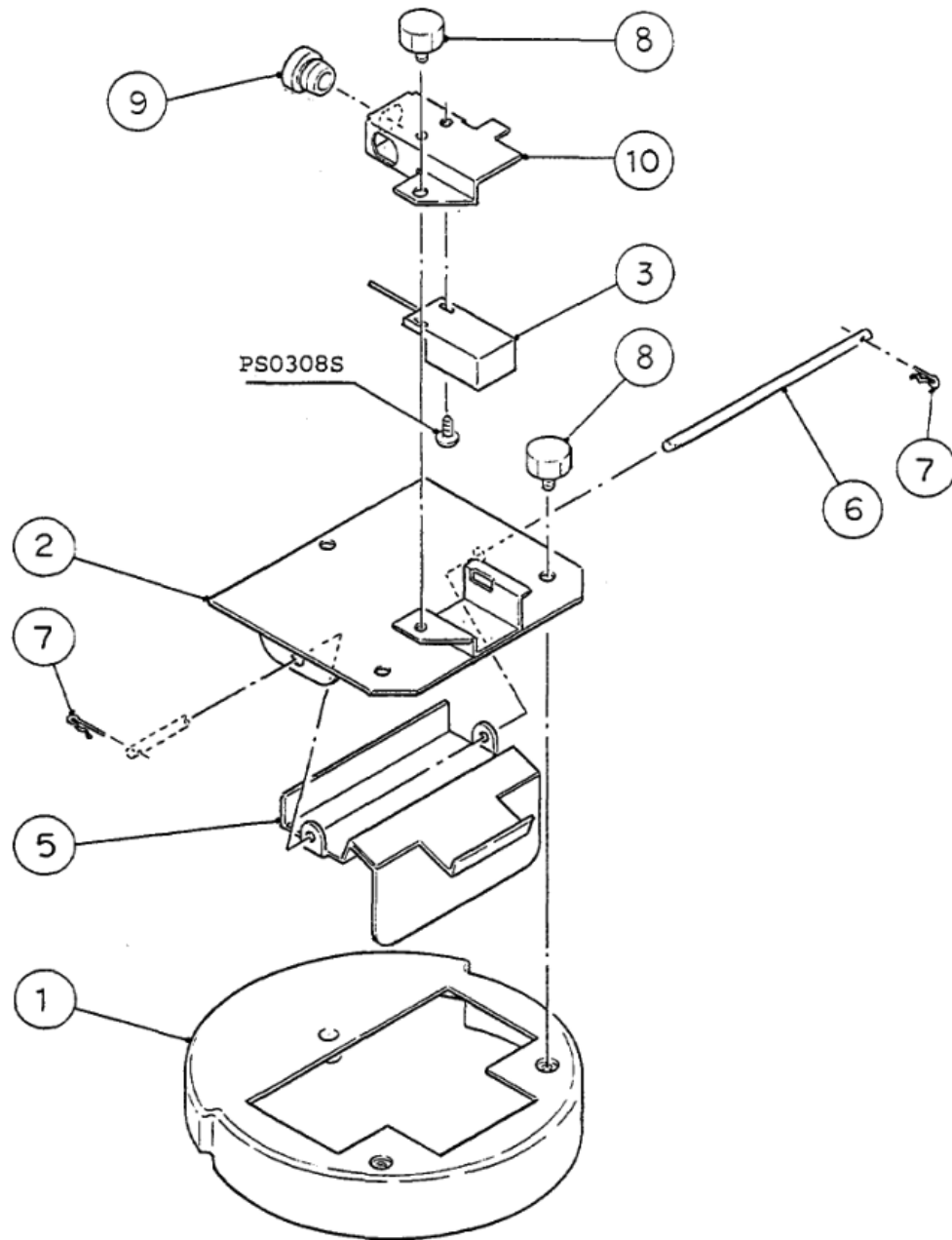
MODEL		TITLE									
F-1100MAA		F. BIN SWITCH ASSY									
INDEX NO.	DESCRIPTION	MATERIAL OR MODEL NUMBER	PART NUMBER	REQ'D NUMBER							
				K-1	K-2	A-0	B-0	B-1	B-2	C-0	C-1
1	Bracket - Switch	S.S.	317648G01	1	1	1	1	1	1	1	1
2	Proximity Switch - Bin Control	RS-601	427223-01	1	1	1	1	1	1	1	1
3	Bracket - Proximity Switch	S.S	427158-01	1	1	1	1	1	1	1	1



MODEL		TITLE						
F-1100HAA		G. LABEL LOCATION						
INDEX NO.	DESCRIPTION	MATERIAL OR MODEL NUMBER	PART NUMBER	REQ'D NUMBER				
				K-1	K-2	A-0	B-0	B-1
1	Instruction Sheet - Inst. Ope.	Paper	208144-01	1	1	1	1	1
2	Instruction Sheet - Bin Inst.	Paper	208145-01	1	1	1	1	1
3	Emblem (L) - HOSHIZAKI	ABS	418634G01	1	1	1	1	1
4	Label - Model Number	PETP Film	435985-16	1	1	1	1	1
5	Label - Penguin	PETP Film	410994-01	1	1	1	1	1
6	Label - Warning Caution Label (F)	PVC Film	425323-01 439146-01	1	x1 x1	1	1	1
7	Label - Operation, Spout Cont. Instruction Label	PETP Film	425325-01 443470-01	1	x1 o1	1	1	1
8	Label - Air Filter	PETP Film	426177-01	1	1	1	1	1
9	Label - Operation	PVC Film	315758-01	1	1	1	1	1
10	Label - Cleaning	PVC Film	214783-01	1	1	1	1	1
11	Nameplate	PES Film	438060-01	1	1	1	1	1
12	Rating Label	PES Film	438063-01	1	1	1	1	1
13	Label - Control	PETP Film	438059-01	1	1	1	1	1
14	Label - Danger Caution Label (C)	PVC Film	425322-01 439143-01	1	x1 o1	1	1	1
15	Wiring Label	PVC Film	324882-01	1	1	1	1	1
16	Label - Bin Thermostat	PETP Film	435984-01	1	1	1	1	1
17	Label - Factory Adjusted	PETP Film	419404-01	1	1	1	1	1
18	Label - R502	PES Film	4A0026-01	1	1	1	1	1
19	Warning Label	PVC Film	435955-01	1	1	1	1	1
20	Tag - Warning: Electrical Connection	Paper	428430-01	1	1	1	1	1

MODEL		TITLE					
F-1100HAA		G. LABEL LOCATION					
INDEX NO.	DESCRIPTION	MATERIAL OR MODEL NUMBER	PART NUMBER	REQ'D NUMBER			
				B-2	C-0	C-1	
1	Instruction Sheet - Inst. Ope.	Paper	208144-01	1	1	1	
2	Instruction Sheet - Bin Inst.	Paper	208145-01	1	1	1	
3	Emblem (L) - HOSHIZAKI	ABS	418634G01	1	1	1	
4	Label - Model Number	PETP Film	435985-16	1	1	1	
5	Label - Penguin	PETP Film	410994-01	1	1	1	
6	Caution Label (F)	PVC Film	439146-01	1	1	1	
7	Instruction Label	PETP Film	443470-01	1	1	1	
8	Label - Air Filter	PETP Film	426177-01	1	1	1	
9	Label - Operation	PVC Film	315758-01	1	1	1	
10	Label - Cleaning	PVC Film	214783-01	1	1	1	
11	Nameplate	PES Film	438060-01	1	1	1	
12	Rating Label	PES Film	438063-01	1	1	1	
13	Label - Control	PETP Film	438059-01	1	1	1	
14	Caution Label (C)	PVC Film	439143-01	1	1	1	
15	Wiring Label	PVC Film	324882-01	1	1	1	
16	Label - Bin Thermostat	PETP Film	435984-01	1	1	1	
17	Label - Factory Adjusted	PETP Film	419404-01	1	1	1	
18	Label - R502	PES Film	4A0026-01	1	1	1	
19	Warning Label	PVC Film	435955-01	1	1	1	
20	Tag - Warning: Electrical Connection	Paper	428430-01	1	1	1	





MODEL		TITLE						
F-1100MAA		H. SPOUT CONTROL ASSY						
INDEX NO.	DESCRIPTION	MATERIAL OR MODEL NUMBER	PART NUMBER	REQ'D NUMBER				
				K-1	K-2	A-0	B-0	B-1
1	Cover - Chute	ABS	213116G01	1	-			
			214796G01		1	1	1	1
2	Spout Cover	S.S	323307G01	1	-			
			325070G01		1	1	1	1
3	Proximity Switch	RS-601	427223-01	1	1	1	1	1
4	Bracket - Proximity Switch	S.S	427158-01	1	1	1	1	1
5	Paddle	S.S	323310G01	1	1	1	1	1
6	Axle	S.S	435873-01	1	1	1	1	1
7	Snap Pin	S.S, SSP-4	715S-0004	2	2	2	2	2
8	Thumbscrew	ABS, S.S	415949G04		3	3	3	3
9	Bushing	SR-5KN-4	420472-06		1	1	1	1
10	Cover - Proximity Switch	S.S	324106-01		1	1	1	1

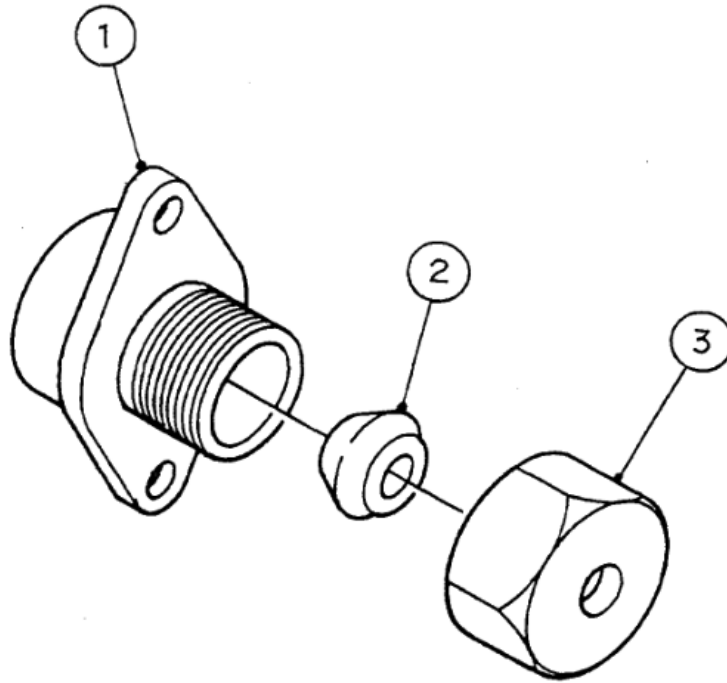
HA

MODEL		TITLE						
F-1100HAA		H. SPOUT CONTROL ASSY						
INDEX NO.	DESCRIPTION	MATERIAL OR MODEL NUMBER	PART NUMBER	REQ'D NUMBER				
				B-2	C-0	C-1		
1	Cover - Chute	ABS	214796G01	1	1	1		
2	Spout Cover	S.S	325070G01	1	1	1		
3	Proximity Switch	RS-601	427223-01	1	1	1		
4	Bracket - Proximity Switch	S.S	427158-01	1	1	1		
5	Paddle	S.S	323310G01	1	1	1		
6	Axle	S.S	435873-01	1	1	1		
7	Snap Pin	S.S, SSP-4	715S-0004	2	2	2		
8	Thumbscrew	ABS, S.S	415949G04	3	3	3		
9	Bushing	SR-5KN-4	420472-06	1	1	1		
10	Cover - Proximity Switch	S.S	324106-01	1	1	1		

HA
F-1100MAA

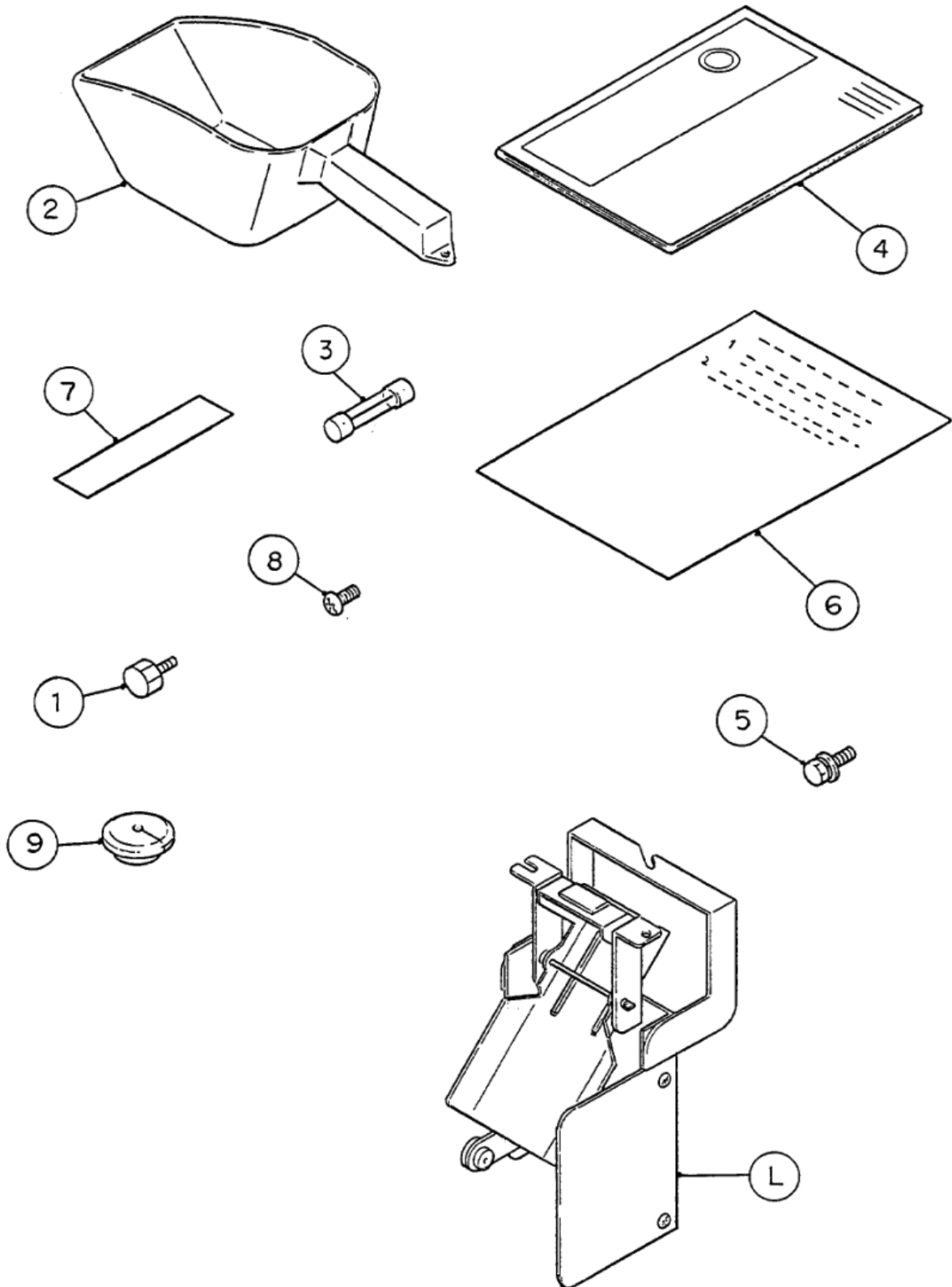
J. FITTING (K) ASSY

(C-0)(C-1)
(B-0)(B-1)(B-2)
(K-1)(K-2)(A-0)



HA

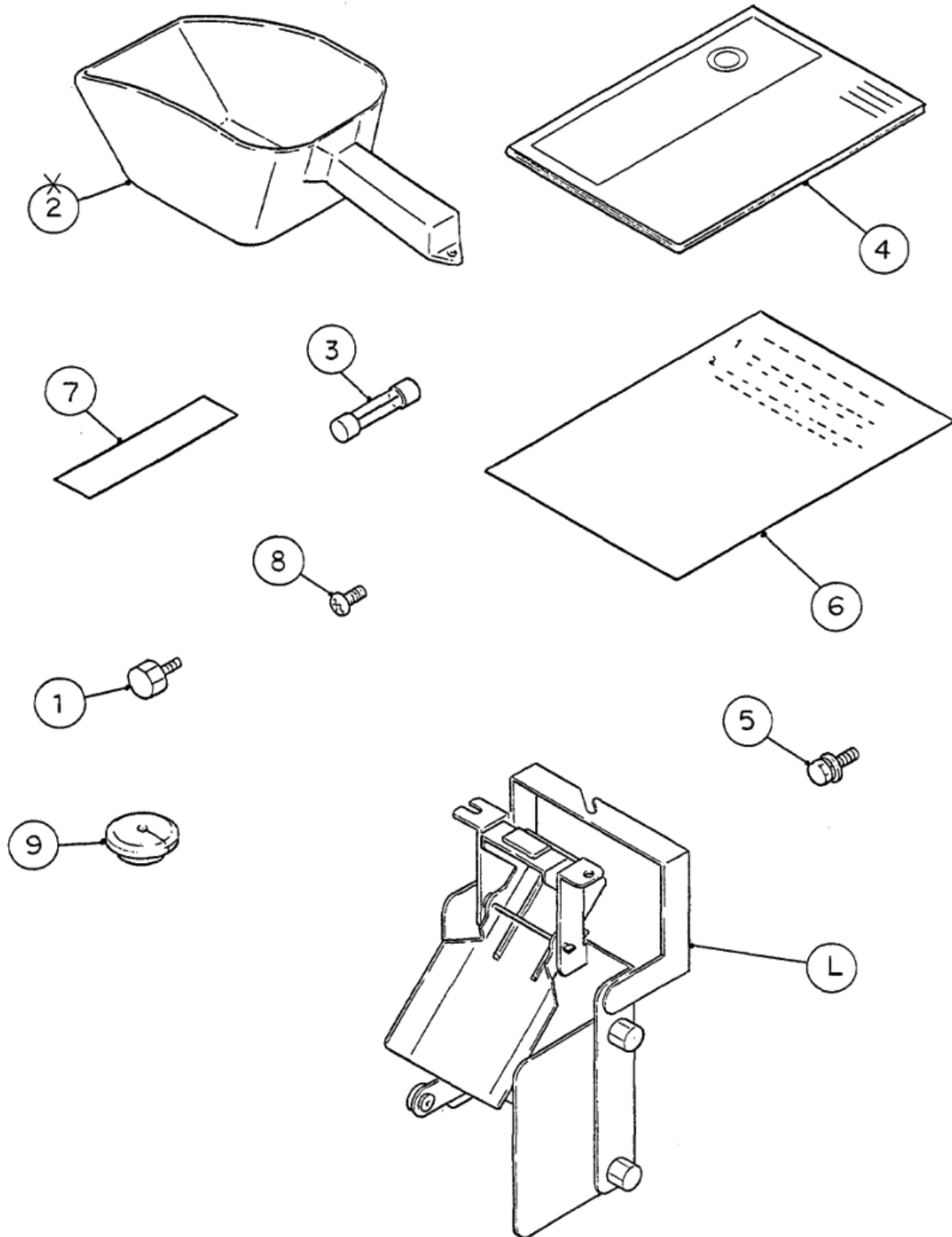
MODEL		TITLE									
F-1100MAA		J. FITTING (K) ASSEMBLY									
INDEX NO.	DESCRIPTION	MATERIAL OR MODEL NUMBER	PART NUMBER	REQ'D NUMBER							
				K-1	K-2	A-0	B-0	B-1	B-2	C-0	C-1
1	Fitting (K)	Brass Casting	310978-01	1	1	1	1	1	1	1	1
2	Packing (C)	Sy.R	415715-02	1	1	1	1	1	1	1	1
3	Nut (B)	Brass	415713-02	1	1	1	1	1	1	1	1



HA
F-1100MAA

K. ACCESSORIES

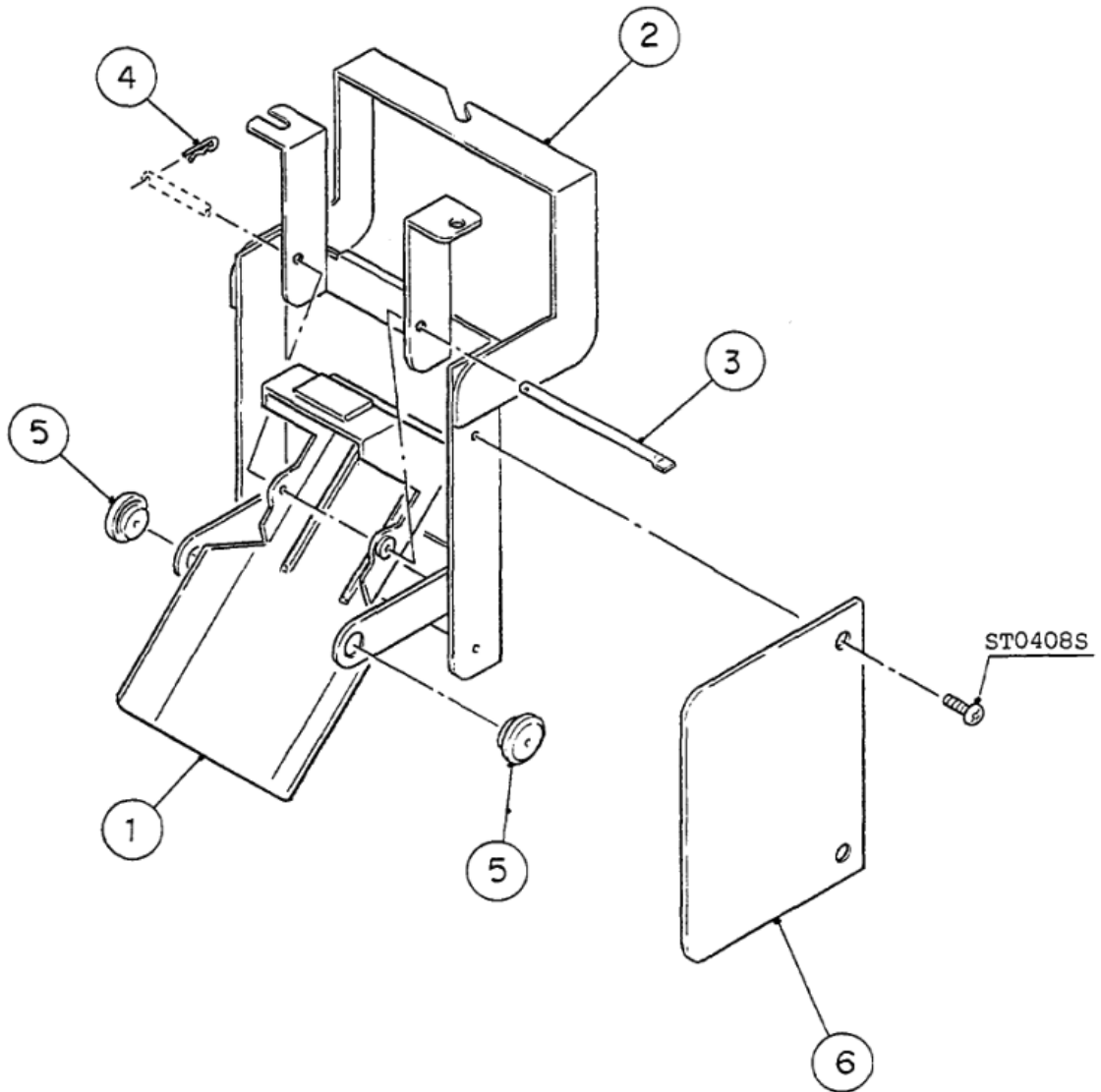
(C-1)
(B-1)(B-2)(C-0)
(K-2)(A-0)(B-0)

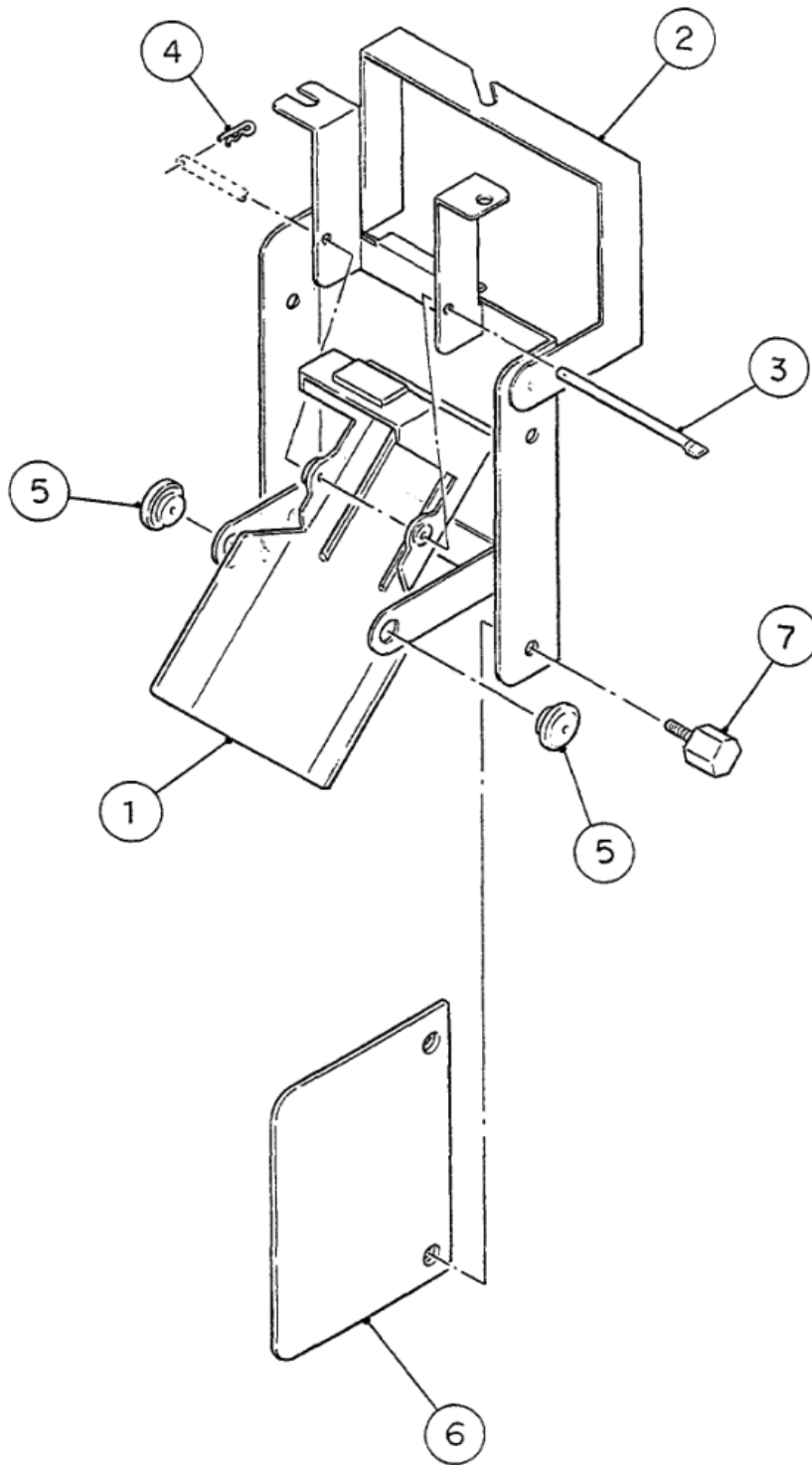


MODEL		TITLE						
F-1100MAA		K. ACCESSORIES						
INDEX NO.	DESCRIPTION	MATERIAL OR MODEL NUMBER	PART NUMBER	REQ'D NUMBER				
				K-1	K-2	A-0	B-0	B-1
J	BIN CONTROL ASSY	-	323318A01	1	-			
			325073A01		1	1	1	1
1	Thumbscrew	S.S, ABS	415949G04	3	3	3	3	3
2	Scoop	PE	208185-01	1	1	1	1	X 1
3	Fuse	FGAO-2, 1A	420468-03	1	1	1	1	1
4	Instruction Manual	Paper	91U2AF10A	1	1	1	1	1
5	Bolt And Washer Assy SW	S.S, M8x16	-	2	2	2	2	2
6	Instruction Sheet - Bin Control	Paper	323351-01	1	1	1	1	1
7	Instruction Sheet - Fastener	Paper	427122-01	1	1	1	1	1
8	Truss Head Machine Screw	S.S. M4x30	-	2	2	2	2	2
9	Bushing - Capillary Tube	EP Rubber	425307-01	1	1	1	1	1

HA

MODEL		TITLE							
F-1100HAA		K. ACCESSORIES							
INDEX NO.	DESCRIPTION	MATERIAL OR MODEL NUMBER	PART NUMBER	REQ'D NUMBER					
				B-2	C-0	C-1			
J	BIN CONTROL ASSY	-	325073A01	1	1	1			
1	Thumbscrew	S.S, ABS	415949G04	3	3	3			
2	-	-	-	-					
3	Fuse	FGAO-2, 1A	420468-03	1	1	1			
4	Instruction Manual	Paper	91U2AF10A	1	1	1			
5	Bolt And Washer Assy SW	S.S, M8x16	-	2	2	2			
6	Instruction Sheet - Bin Control	Paper	323351-01	1	1	1			
7	Instruction Sheet - Fastener	Paper	427122-01	1	1	1			
8	Truss Head Machine Screw	S.S, M4x30	-	2	2	2			
9	Bushing - Capillary Tube	EP Rubber	425307-01	1	1	1			





HA

MODEL		TITLE						
F-1100HAA		L. BIN CONTROL ASSY						
INDEX NO.	DESCRIPTION	MATERIAL OR MODEL NUMBER	PART NUMBER	REQ'D NUMBER				
				K-1	K-2	A-0	B-0	B-1
1	Actuator - Switch	ABS, S.S	209168G01	1	1	1	1	1
2	Bin Control Bracket	S.S	323306G01	1	-			
			325072G01		1	1	1	1
3	Shaft		412337-03	1	1	1	1	1
4	Snap Pin	S.S	715S-0004	1	1	1	1	1
5	Bushing - Capillary Tube	S.S, SSP-4	425307-01	2	2	2	2	2
6	Paddle Cover (B)	PC	435869-01	1	-			
	Paddle Cover	PC	438297G01		1	1	1	1
7	Thumbscrew	ABS, S.S	415949G03	2	-			
			415949G01		2	2	2	2

HA

MODEL		TITLE						
F-1100HAA		L. BIN CONTROL ASSY						
INDEX NO.	DESCRIPTION	MATERIAL OR MODEL NUMBER	PART NUMBER	REQ'D NUMBER				
				B-2	C-0	C-1		
1	Actuator - Switch	ABS, S.S	209168G01	1	1	1		
2	Bin Control Bracket	S.S	325072G01	1	1	1		
3	Shaft		412337-03	1	1	1		
4	Snap Pin	S.S	715S-0004	1	1	1		
5	Bushing - Capillary Tube	S.S, SSP-4	425307-01	2	2	2		
6	Paddle Cover	PC	438297G01	1	1	1		
7	Thumbscrew	ABS, S.S	415949G01	2	2	2		