



HOSHIZAKI

MODULAR FLAKER

MODEL
F-1100MRA

FINAL

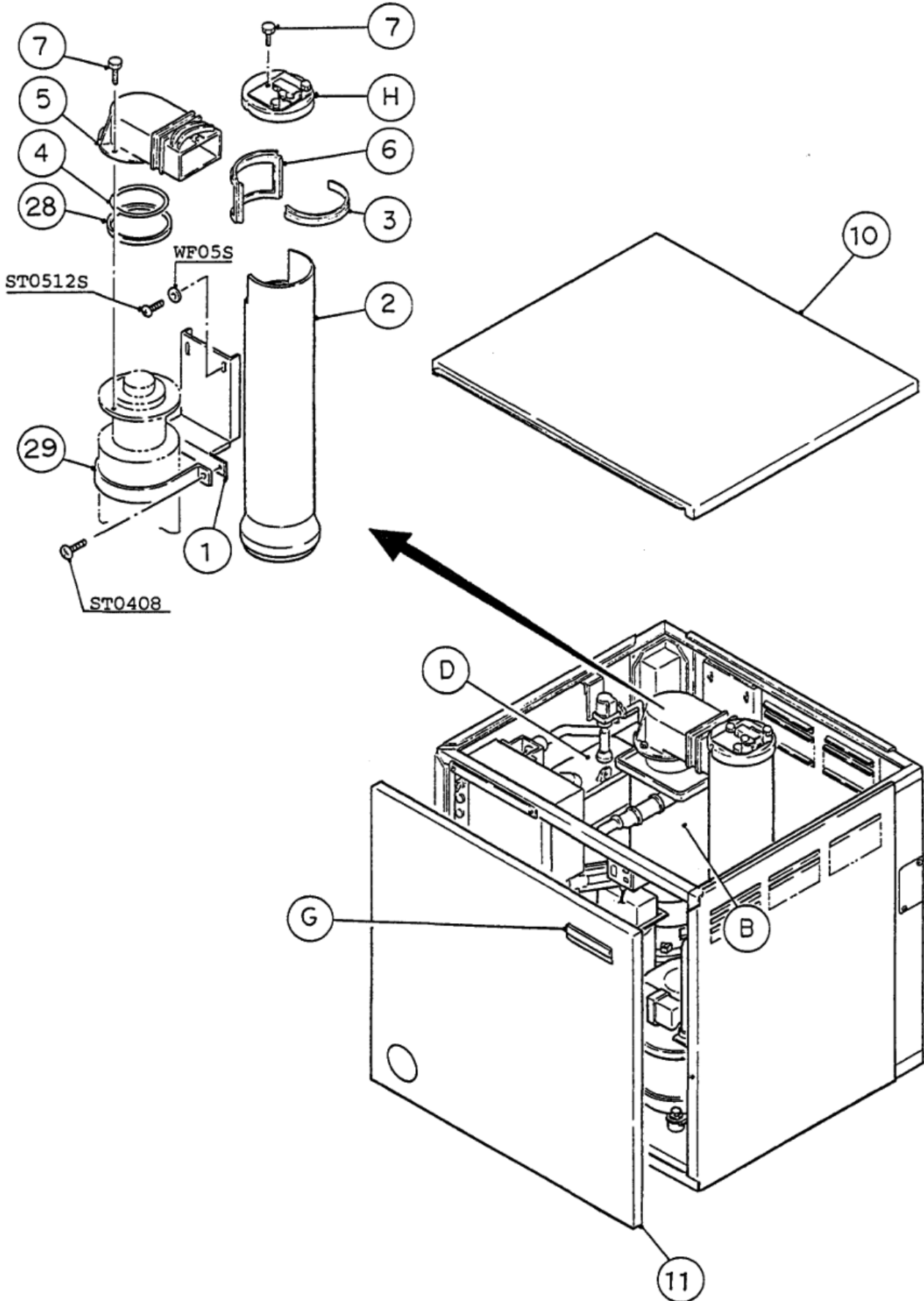
PARTS LIST

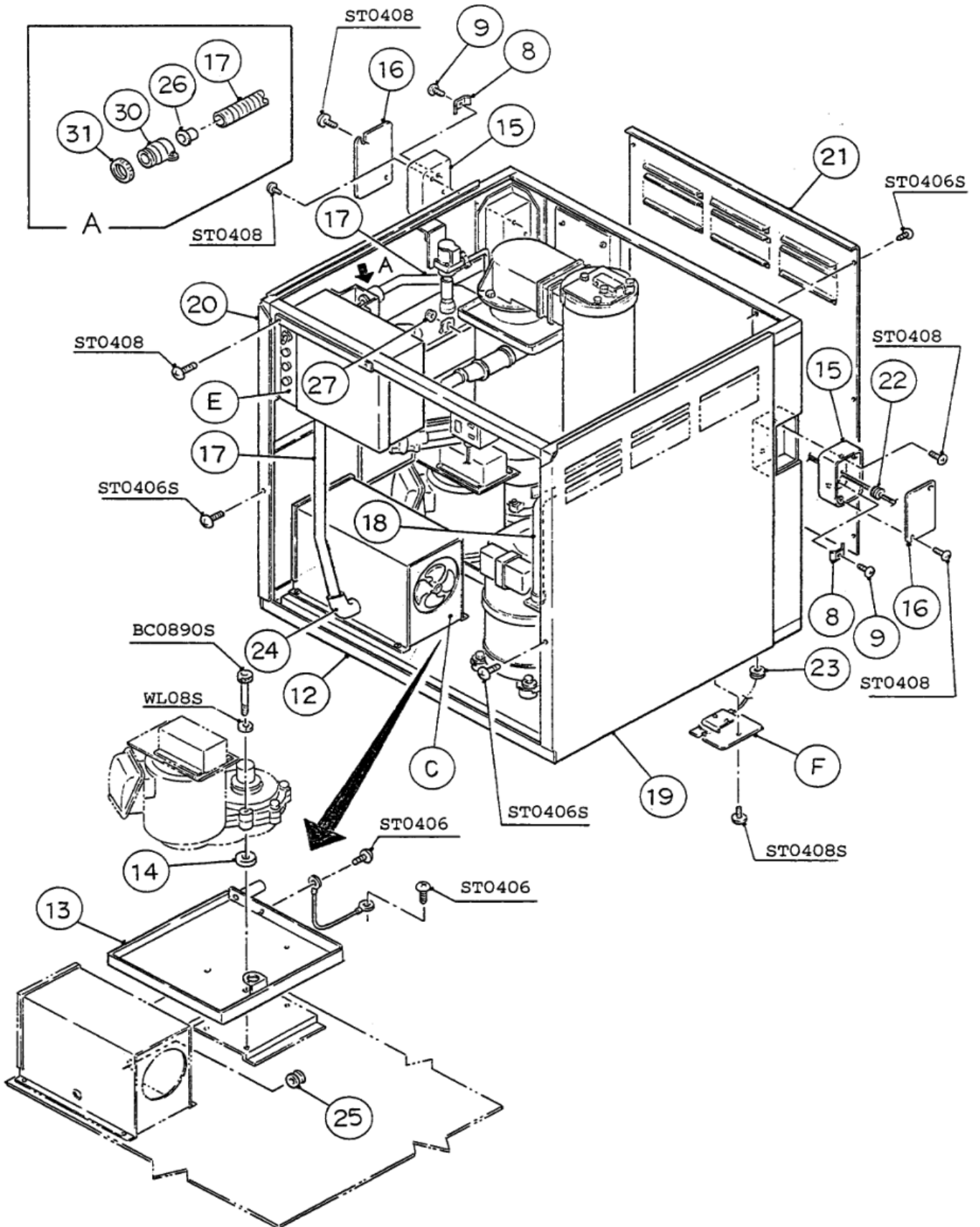
ISSUED: MAY 28, 1990

REVISED: NOV. 16, 1993

PRINTED: DEC. 30, 1994

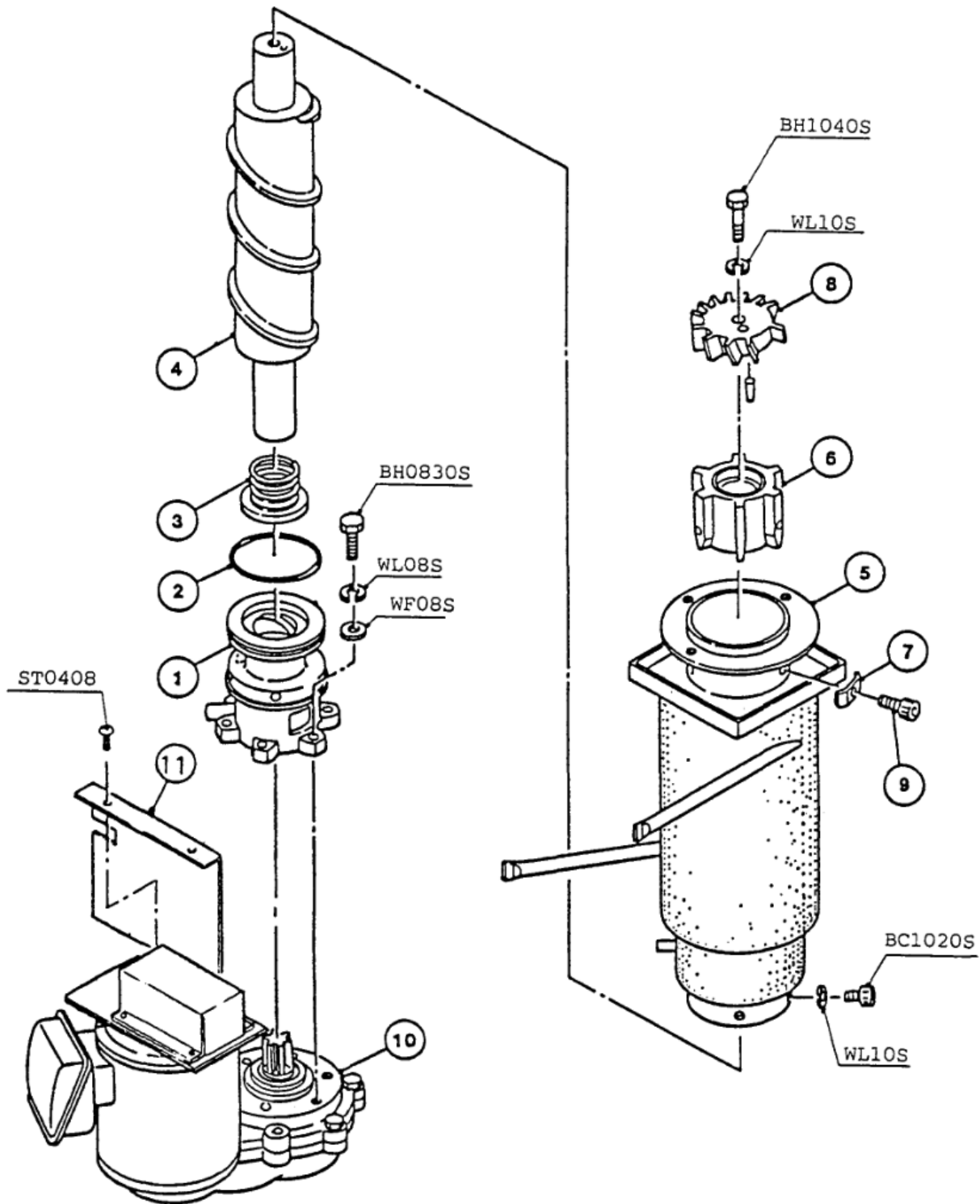
ITEM NO: 71035





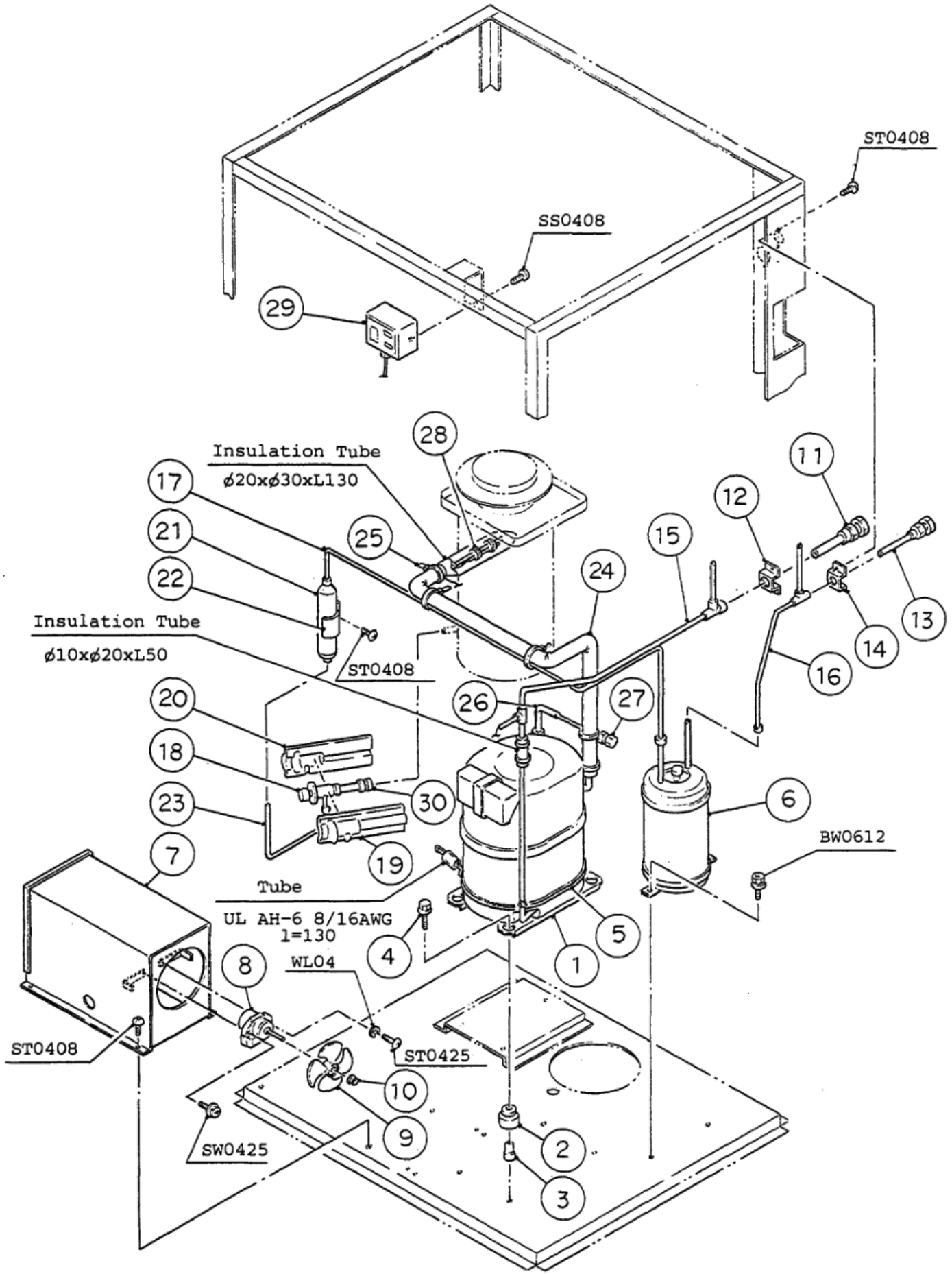
| MODEL F-1100MRA | | TITLE A. ICE FLAKER ASSY | | | REQ'D NUMBER | | | | |
|--------------------|--------------------------|-----------------------------|-------------|-----|--------------|-----|-----|-----|--|
| INDEX NO. | DESCRIPTION | MATERIAL OR MODEL NUMBER | PART NUMBER | K-1 | A-0 | B-0 | B-1 | C-0 | |
| B | EVAPORATOR ASSY | - | 319958A03 | 1 | 1 | 1 | 1 | 1 | |
| C | REFRIGERATION UNIT | - | 104901A01 | 1 | 1 | 1 | 1 | 1 | |
| D | WATER CIRCUIT ASSY | - | 103078A04 | 1 | 1 | 1 | 1 | 1 | |
| E | CONTROL BOX ASSY | - | 214652A03 | 1 | 1 | 1 | 1 | 1 | |
| F | BIN SWITCH ASSY | - | 317649A01 | 1 | 1 | 1 | 1 | 1 | |
| G | LABEL LOCATION | - | 213149A06 | 1 | 1 | 1 | 1 | 1 | |
| H | SPOUT CONTROL ASSY | - | 325071A01 | 1 | 1 | 1 | 1 | 1 | |
| 1 | Bracket - Evaporator | G.S | 431735-01 | 1 | 1 | 1 | 1 | 1 | |
| 2 | Chute | PE | 315723-01 | 1 | 1 | 1 | 1 | 1 | |
| 3 | Packing - Chute | EPDM | 425255-01 | 1 | 1 | 1 | 1 | 1 | |
| 4 | "0" Ring | G95 | 7616-G095 | 1 | 1 | 1 | 1 | 1 | |
| 5 | Spout | PC | 103932G01 | 1 | 1 | 1 | 1 | 1 | |
| 6 | Packing - Spout | EPDM | 315722-01 | 1 | 1 | 1 | 1 | 1 | |
| 7 | Thumbscrew | S.S, ABS | 415949G03 | 4 | 4 | 4 | 4 | 4 | |
| 8 | Square Washer | Copper | 433537-01 | 2 | 2 | 2 | 2 | 2 | |
| 9 | Screw - Grounding | Brass | 433304-01 | 2 | 2 | 2 | 2 | 2 | |
| 10 | Top Panel | S.S | 315750G01 | 1 | 1 | 1 | 1 | - | |
| | | | 315750G02 | | | | | 1 | |
| 11 | Front Panel | S.S | 315937-02 | 1 | 1 | 1 | 1 | - | |
| | | | 315937-03 | | | | | 1 | |
| 12 | Frame | G.S | 315778G11 | 1 | 1 | 1 | 1 | 1 | |
| 13 | Drip Pan | S.S | 317168G01 | 1 | 1 | 1 | 1 | 1 | |
| 14 | Washer | PVC | 422916-01 | 3 | 3 | 3 | 3 | 3 | |
| 15 | Junction Box | No.6001 | 421587-01 | 2 | 2 | 2 | 2 | 2 | |
| 16 | Cover - Junction Box | G.S | 420594-01 | 2 | 2 | 2 | 2 | 2 | |
| 17 | Conduit | - | 429313-02 | 2 | 2 | 2 | 2 | 2 | |
| 18 | Conduit | - | 429313-03 | 1 | 1 | 1 | 1 | 2 | |
| 19 | Side Panel (Right) | S.S | 315934G01 | 1 | 1 | 1 | 1 | - | |
| | | | 315934G02 | | | | | 1 | |
| 20 | Side Panel (Left) | S.S | 315935G02 | 1 | 1 | 1 | 1 | - | |
| | | | 315935G03 | | | | | 1 | |
| 21 | Rear Panel | S.S | 315936-02 | 1 | 1 | 1 | 1 | 1 | |
| 22 | Bushing | SR-4K-4 | 420472-01 | 1 | 1 | 1 | 1 | 1 | |
| 23 | Bushing | SB-437-5 | 420470-07 | 1 | 1 | 1 | 1 | 1 | |
| 24 | Fitting - Conduit, Elbow | No.13-16 | 425317-01 | 1 | 1 | 1 | 1 | 1 | |
| 25 | Bushing | SB-625-8 | 420470-01 | 1 | 1 | 1 | 1 | 1 | |
| 26 | Collar | Steel | 430335-01 | 6 | 6 | 6 | 6 | 6 | |
| 27 | Bushing | SR-30-1 | 420472-03 | 1 | 1 | 1 | 1 | 1 | |
| 28 | Ring | PA | 431736-01 | 1 | 1 | 1 | 1 | 1 | |
| 29 | Strap | G.S | 431737-01 | 1 | 1 | 1 | 1 | 1 | |
| 30 | Fitting – Conduit | NS-1621 | 435753-01 | 5 | 5 | 5 | 5 | 5 | |
| 31 | Nut | t3.6 | 435753F01 | 5 | 5 | 5 | 5 | 5 | |

| MODEL F-1100MRA | | TITLE A. ICE FLAKER ASSY | | | | | | |
|--------------------|--------------------------|-----------------------------|-------------|--------------|--|--|--|--|
| INDEX NO. | DESCRIPTION | MATERIAL OR MODEL NUMBER | PART NUMBER | REQ'D NUMBER | | | | |
| | | | | C-1 | | | | |
| B | EVAPORATOR ASSY | - | 319958A03 | 1 | | | | |
| C | REFRIGERATION UNIT | - | 104901A01 | 1 | | | | |
| D | WATER CIRCUIT ASSY | - | 103078A04 | 1 | | | | |
| E | CONTROL BOX ASSY | - | 214652A03 | - | | | | |
| | | | 214652A06 | 1 | | | | |
| F | BIN SWITCH ASSY | - | 317649A01 | 1 | | | | |
| G | LABEL LOCATION | - | 213149A06 | 1 | | | | |
| H | SPOUT CONTROL ASSY | - | 325071A01 | 1 | | | | |
| 1 | Bracket - Evaporator | G.S | 431735-01 | 1 | | | | |
| 2 | Chute | PE | 315723-01 | 1 | | | | |
| 3 | Packing - Chute | EPDM | 425255-01 | 1 | | | | |
| 4 | "O" Ring | G95 | 7616-G095 | 1 | | | | |
| 5 | Spout | PC | 103932G01 | 1 | | | | |
| 6 | Packing - Spout | EPDM | 315722-01 | 1 | | | | |
| 7 | Thumbscrew | S.S, ABS | 415949G03 | 4 | | | | |
| 8 | Square Washer | Copper | 433537-01 | 2 | | | | |
| 9 | Screw - Grounding | Brass | 433304-01 | 2 | | | | |
| 10 | Top Panel | S.S | 315750G02 | 1 | | | | |
| 11 | Front Panel | S.S | 315937-03 | 1 | | | | |
| 12 | Frame | G.S | 315778G11 | 1 | | | | |
| 13 | Drip Pan | S.S | 317168G01 | 1 | | | | |
| 14 | Washer | PVC | 422916-01 | 3 | | | | |
| 15 | Junction Box | No.6001 | 421587-01 | 2 | | | | |
| 16 | Cover - Junction Box | G.S | 420594-01 | 2 | | | | |
| 17 | Conduit | - | 429313-02 | 2 | | | | |
| 18 | Conduit | - | 429313-03 | 1 | | | | |
| 19 | Side Panel (Right) | S.S | 315934G02 | 1 | | | | |
| 20 | Side Panel (Left) | S.S | 315935G03 | 1 | | | | |
| 21 | Rear Panel | S.S | 315936-02 | 1 | | | | |
| 22 | Bushing | SR-4K-4 | 420472-01 | 1 | | | | |
| 23 | Bushing | SB-437-5 | 420470-07 | 1 | | | | |
| 24 | Fitting – Conduit, Elbow | No.13-16 | 425317-01 | 1 | | | | |
| 25 | Bushing | SB-625-8 | 420470-01 | 1 | | | | |
| 26 | Collar | Steel | 430335-01 | 6 | | | | |
| 27 | Bushing | SR-30-1 | 420472-03 | 1 | | | | |
| 28 | Ring | PA | 431736-01 | 1 | | | | |
| 29 | Strap | G.S | 431737-01 | 1 | | | | |
| 30 | Fitting – Conduit | NS-1621 | 435753-01 | 5 | | | | |
| 31 | Nut | t3.6 | 435753F01 | 5 | | | | |



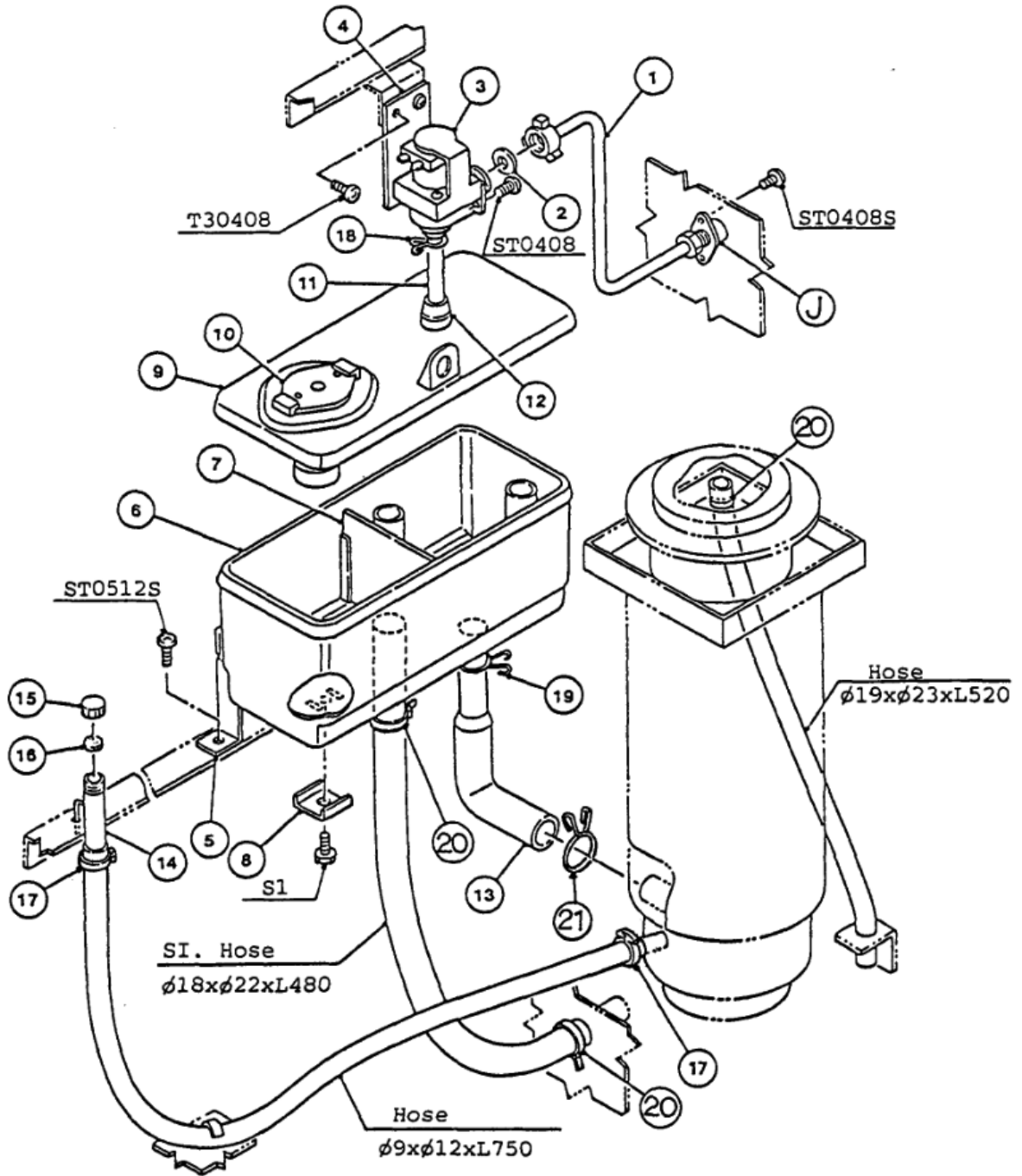
| MODEL | | TITLE | | | | | | |
|-----------|-----------------------|--------------------------|---------------------------|--------------|-----|-----|-----|-----|
| F-1100MRA | | B. EVAPORATOR ASSY | | | | | | |
| INDEX NO. | DESCRIPTION | MATERIAL OR MODEL NUMBER | PART NUMBER | REQ'D NUMBER | | | | |
| | | | | K-1 | A-0 | B-0 | B-1 | C-0 |
| 1 | Bearing (Lower) | - | 315732G02 | 1 | 1 | 1 | 1 | 1 |
| 2 | "O" Ring | G90 | 7616-G090 | 1 | 1 | 1 | 1 | 1 |
| 3 | Mechanical Seal | HK9A-MN | 432493-01 | 1 | 1 | 1 | 1 | 1 |
| 4 | Auger | S.S | 211062G01 | 1 | 1 | 1 | 1 | 1 |
| 5 | Evaporator | - | 425273G04 | 1 | 1 | 1 | 1 | 1 |
| 6 | Extruding Head | S.S | 208117G02 | 1 | 1 | 1 | 1 | 1 |
| 7 | Washer | S.S | 425277-01 | 3 | 3 | 3 | 3 | 3 |
| 8 | Cutter | S.S | 315734-01 | 1 | 1 | 1 | 1 | 1 |
| 9 | Socket Head Cap Screw | S.S, M10 | 429121-02 | 3 | 3 | 3 | 3 | 3 |
| 10 | Gear Motor | MGZ2200UL-160 | 432068-01 | 1 | 1 | 1 | 1 | 1 |
| 11 | Cover - Gear Motor | G.S | 431532-01 | 1 | 1 | 1 | 1 | 1 |

| MODEL | | TITLE | | | | | |
|-----------|-----------------------|--------------------------|---------------------------|--------------|--|--|--|
| F-1100MRA | | B. EVAPORATOR ASSY | | | | | |
| INDEX NO. | DESCRIPTION | MATERIAL OR MODEL NUMBER | PART NUMBER | REQ'D NUMBER | | | |
| | | | | C-1 | | | |
| 1 | Bearing (Lower) | - | 315732G02 | 1 | | | |
| 2 | "O" Ring | G90 | 7616-G090 | 1 | | | |
| 3 | Mechanical Seal | HK9A-MN | 432493-01 | 1 | | | |
| 4 | Auger | S.S | 211062G01 | 1 | | | |
| 5 | Evaporator | - | 425273G04 | 1 | | | |
| 6 | Extruding Head | S.S | 208117G02 | 1 | | | |
| 7 | Washer | S.S | 425277-01 | 3 | | | |
| 8 | Cutter | S.S | 315734-01 | 1 | | | |
| 9 | Socket Head Cap Screw | S.S, M10 | 429121-02 | 3 | | | |
| 10 | Gear Motor | MGZ2200UL-160 | 432068-01 | 1 | | | |
| 11 | Cover - Gear Motor | G.S | 431532-01 | 1 | | | |



| MODEL F-1100MRA | | TITLE C. REFRIGERATION UNIT | | | | | | |
|--------------------|-----------------------------|--------------------------------|-------------|--------------|-----|-----|-----|-----|
| INDEX NO. | DESCRIPTION | MATERIAL OR MODEL NUMBER | PART NUMBER | REQ'D NUMBER | | | | |
| | | | | K-1 | A-0 | B-0 | B-1 | C-0 |
| 1 | Compressor | REK3-0125-PFV | 434209-01 | 1 | 1 | 1 | 1 | 1 |
| 2 | Grommet | 527-0039-04 | 434403-01 | 4 | 4 | 4 | 4 | 4 |
| 3 | Spacer | 527-0039-04 | 434404-01 | 4 | 4 | 4 | 4 | 4 |
| 4 | Bolt | M8x50 | 436206-01 | 4 | 4 | 4 | 4 | 4 |
| 5 | Crankcase Heater | 018-0038-00 | 434186-01 | 1 | 1 | 1 | 1 | 1 |
| 6 | Receiver Tank | RT-P-HD-4 | 429341-01 | 1 | 1 | 1 | 1 | 1 |
| 7 | Shroud | G.S | 315927G01 | 1 | 1 | 1 | 1 | 1 |
| 8 | Fan Motor | MS17ZJF-HJA7 | 3U0050-01 | 1 | 1 | 1 | 1 | 1 |
| 9 | Fan Blade | ABS | 419547-01 | 1 | 1 | 1 | 1 | 1 |
| 10 | Fan Ring | S.S | 419547F01 | 1 | 1 | 1 | 1 | 1 |
| 11 | Coupling (Male) | - | 434132G01 | 1 | 1 | 1 | 1 | 1 |
| 12 | Tube Holder | G.S | 434104-01 | 1 | 1 | 1 | 1 | 1 |
| 13 | Coupling | - | 433751G01 | 1 | 1 | 1 | 1 | 1 |
| 14 | Bracket | G.S | 425507-01 | 1 | 1 | 1 | 1 | 1 |
| 15 | Copper Tube (A) - High Side | Copper | 324939G01 | 1 | 1 | 1 | 1 | 1 |
| 16 | Copper Tube (B) - High Side | Copper | 324940G01 | 1 | 1 | 1 | 1 | 1 |
| 17 | Copper Tube (C) - High Side | Copper | 324941-01 | 1 | 1 | 1 | 1 | 1 |
| 18 | Expansion Valve | HFE-10RHD-3 | 433534-03 | 1 | 1 | 1 | 1 | 1 |
| 19 | Cover (A) - EXPV. | PE | 324313-01 | 1 | 1 | 1 | 1 | 1 |
| 20 | Cover (B) - EXPV. | PE | 324313-02 | 1 | 1 | 1 | 1 | 1 |
| 21 | Drier | KC-6749 | 427061-01 | 1 | 1 | 1 | 1 | 1 |
| 22 | Strap | G.S | 425280-02 | 1 | 1 | 1 | 1 | 1 |
| 23 | Copper Tube (J) - High Side | Copper | 425286-03 | 1 | 1 | 1 | 1 | 1 |
| 24 | Copper Tube - Low Side | Copper | 324942G01 | 1 | 1 | 1 | 1 | 1 |
| 25 | Tie | CV-150 | 7920-0003 | 12 | 12 | 12 | 12 | 12 |
| 26 | Copper Tube - Access Valve | Copper | 437909-01 | 1 | 1 | 1 | 1 | 1 |
| 27 | Access Valve | TCJ-2FS15-HD | 417366-01 | 1 | 1 | 1 | 1 | 1 |
| 28 | Clamp | D11-S | 435254-04 | 2 | 2 | 2 | 2 | 2 |
| 29 | Pressure Switch | SNS-2CT130YQ3 | 425679-01 | 1 | 1 | 1 | 1 | 1 |
| 30 | Socket | Copper | 436578-01 | 1 | 1 | 1 | 1 | 1 |

| MODEL F-1100MRA | | TITLE C. REFRIGERATION UNIT | | | | | | |
|--------------------|-----------------------------|--------------------------------|-------------|--------------|--|--|--|--|
| INDEX NO. | DESCRIPTION | MATERIAL OR MODEL NUMBER | PART NUMBER | REQ'D NUMBER | | | | |
| | | | | C-1 | | | | |
| 1 | Compressor | REK3-0125-PFV | 434209-01 | 1 | | | | |
| 2 | Grommet | 527-0039-04 | 434403-01 | 4 | | | | |
| 3 | Spacer | 527-0039-04 | 434404-01 | 4 | | | | |
| 4 | Bolt | M8x50 | 436206-01 | 4 | | | | |
| 5 | Crankcase Heater | 018-0038-00 | 434186-01 | 1 | | | | |
| 6 | Receiver Tank | RT-P-HD-4 | 429341-01 | 1 | | | | |
| 7 | Shroud | G.S | 315927G01 | 1 | | | | |
| 8 | Fan Motor | MS17ZJF-HJA7 | 3U0050-01 | 1 | | | | |
| 9 | Fan Blade | ABS | 419547-01 | 1 | | | | |
| 10 | Fan Ring | S.S | 419547F01 | 1 | | | | |
| 11 | Coupling (Hale) | - | 434132G01 | 1 | | | | |
| 12 | Tube Holder | G.S | 434104-01 | 1 | | | | |
| 13 | Coupling | - | 433751G01 | 1 | | | | |
| 14 | Bracket | G.S | 425507-01 | 1 | | | | |
| 15 | Copper Tube (A) - High Side | Copper | 324939G01 | 1 | | | | |
| 16 | Copper Tube (B) - High Side | Copper | 324940G01 | 1 | | | | |
| 17 | Copper Tube (C) - High Side | Copper | 324941-01 | 1 | | | | |
| 18 | Expansion Valve | HFE-10RHD-3 | 433534-03 | 1 | | | | |
| 19 | Cover (A) - EXPV. | PE | 324313-01 | 1 | | | | |
| 20 | Cover (B) - EXPV. | PE | 324313-02 | 1 | | | | |
| 21 | Drier | KC-6749 | 427061-01 | 1 | | | | |
| 22 | Strap | G.S | 425280-02 | 1 | | | | |
| 23 | Copper Tube (J) - High Side | Copper | 425286-03 | 1 | | | | |
| 24 | Copper Tube - Low Side | Copper | 324942G01 | 1 | | | | |
| 25 | Tie | CV-150 | 7920-0003 | 12 | | | | |
| 26 | Copper Tube - Access Valve | Copper | 437909-01 | 1 | | | | |
| 27 | Access Valve | TCJ-2FS15-HD | 417366-01 | 1 | | | | |
| 28 | Clamp | D11-S | 435254-04 | 2 | | | | |
| 29 | Pressure Switch | SNS-2CT130YQ3 | 425679-01 | 1 | | | | |
| 30 | Socket | Copper | 436578-01 | 1 | | | | |

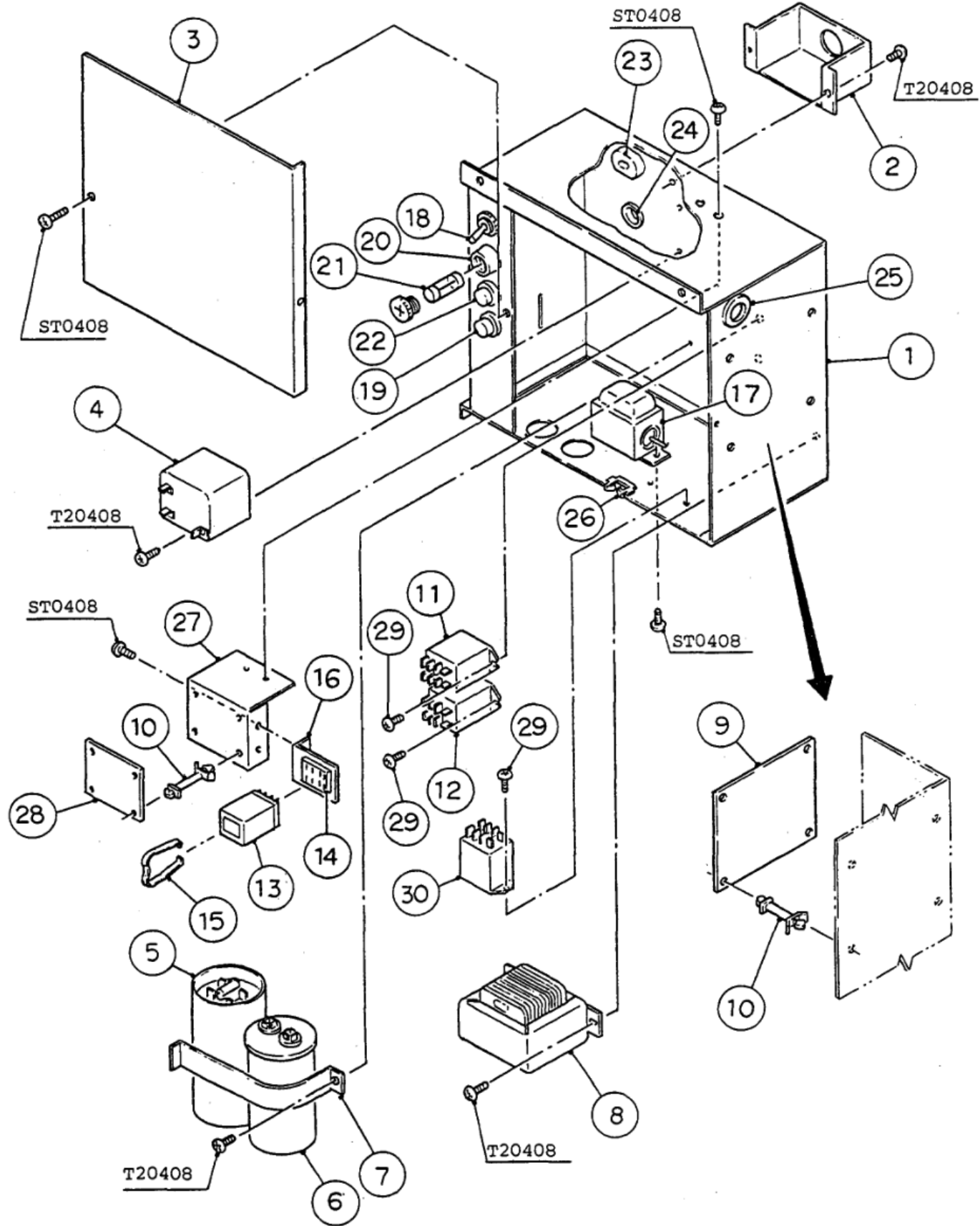


FASTENER

SI - Thumbscrew, M4x6

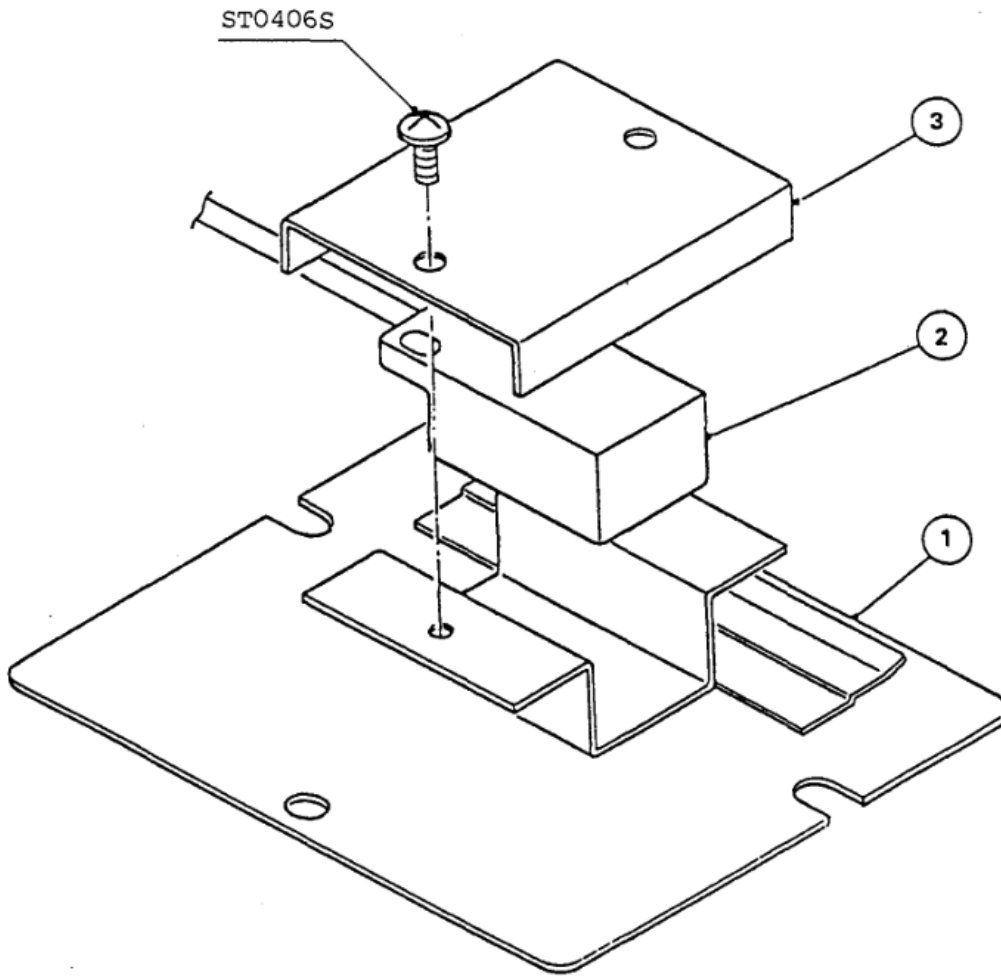
| MODEL F-1100MRA | | TITLE D. WATER CIRCUIT | | | REQ'D NUMBER | | | | |
|--------------------|-------------------------|---------------------------|-------------|-----|------------------|----------|-----------|-----|---|
| INDEX NO. | DESCRIPTION | MATERIAL OR MODEL NUMBER | PART NUMBER | K-1 | A-0 | B-0 | B-1 | C-0 | |
| | | | | J | FITTING (K) ASSY | (S-0331) | 310978A01 | 1 | 1 |
| 1 | Pipe - Water Supply | S.S | 425287G01 | 1 | 1 | 1 | 1 | 1 | |
| 2 | Packing | NBR | 413854-03 | 1 | 1 | 1 | 1 | 1 | |
| 3 | Water Valve | J246-086 | 3U0065-01 | 1 | 1 | 1 | 1 | 1 | |
| 4 | Bracket - Water Valve | G.S | 425288-01 | 1 | 1 | 1 | 1 | 1 | |
| 5 | Bracket – Reservoir | G.S | 315744-01 | 1 | 1 | 1 | 1 | 1 | |
| 6 | Reservoir | ABS | 208125-02 | 1 | 1 | 1 | 1 | 1 | |
| 7 | Separator – Reservoir | ABS | 423538-02 | 1 | 1 | 1 | 1 | 1 | |
| 8 | Collar | S.S | 423416-01 | 1 | 1 | 1 | 1 | 1 | |
| 9 | Cover – Reservoir | ABS | 208126-02 | 1 | 1 | 1 | 1 | 1 | |
| 10 | Float Switch | TW-1221-101 | 435490-01 | 1 | 1 | 1 | 1 | 1 | |
| 11 | Hose - Water Supply | EVA | 425289-01 | 1 | 1 | 1 | 1 | 1 | |
| 12 | Cover – Reservoir Inlet | S.I.R | 415094-01 | 1 | 1 | 1 | 1 | 1 | |
| 13 | Hose - Water Supply | EPDM | 428615-05 | 1 | 1 | 1 | 1 | 1 | |
| 14 | Pipe - Drain | S.S | 425292G01 | 1 | 1 | 1 | 1 | 1 | |
| 15 | Cap - Drain | Brass | 425293-01 | 1 | 1 | 1 | 1 | 1 | |
| 16 | Packing - Drain | Sy.R | 425294-01 | 1 | 1 | 1 | 1 | 1 | |
| 17 | Clamp | MH-30N | 421642-04 | 2 | 2 | 2 | 2 | 2 | |
| 18 | Clamp | SK-17 | 435934-05 | 1 | 1 | 1 | 1 | 1 | |
| 19 | Clamp | SK-18.3 | 435934-06 | 1 | 1 | 1 | 1 | 1 | |
| 20 | Clamp | CV-150 | 7920-0003 | 3 | 3 | 3 | 3 | 3 | |
| 21 | Clamp | SK-25 | 435934-07 | 1 | 1 | 1 | 1 | 1 | |

| MODEL F-1100MRA | | TITLE D. WATER CIRCUIT | | | | | |
|--------------------|-------------------------|---------------------------|---------------------------|--------------|--|--|--|
| INDEX NO. | DESCRIPTION | MATERIAL OR MODEL NUMBER | PART NUMBER | REQ'D NUMBER | | | |
| | | | | C-1 | | | |
| J | FITTING (K) ASSY | (S-0331) | 310978A01 | 1 | | | |
| 1 | Pipe - Water Supply | S.S | 425287G01 | 1 | | | |
| 2 | Packing | NBR | 413854-03 | 1 | | | |
| 3 | Water Valve | J246-086 | 3U0065-01 | 1 | | | |
| 4 | Bracket - Water Valve | G.S | 425288-01 | 1 | | | |
| 5 | Bracket – Reservoir | G.S | 315744-01 | 1 | | | |
| 6 | Reservoir | ABS | 208125-02 | 1 | | | |
| 7 | Separator - Reservoir | ABS | 423538-02 | 1 | | | |
| 8 | Collar | S.S | 423416-01 | 1 | | | |
| 9 | Cover – Reservoir | ABS | 208126-02 | 1 | | | |
| 10 | Float Switch | TW-1221-101 | 435490-01 | 1 | | | |
| 11 | Hose - Water Supply | EVA | 425289-01 | 1 | | | |
| 12 | Cover – Reservoir Inlet | SI.R | 415094-01 | 1 | | | |
| 13 | Hose - Water Supply | EPDM | 428615-05 | 1 | | | |
| 14 | Pipe – Drain | S.S | 425292G01 | 1 | | | |
| 15 | Cap – Drain | Brass | 425293-01 | 1 | | | |
| 16 | Packing – Drain | Sy.R | 425294-01 | 1 | | | |
| 17 | Clamp | MH-30N | 421642-04 | 2 | | | |
| 18 | Clamp | SK-17 | 435934-05 | 1 | | | |
| 19 | Clamp | SK-18.3 | 435934-06 | 1 | | | |
| 20 | Clamp | CV-150 | 7920-0003 | 3 | | | |
| 21 | Clamp | SK-25 | 435934-07 | 1 | | | |



| MODEL F-1100MRA | | TITLE E. CONTROL BOX ASSY | | | REQ'D NUMBER | | | | |
|--------------------|-----------------------|------------------------------|-------------|-----|--------------|-----|-----------|-----|---|
| INDEX NO. | DESCRIPTION | MATERIAL OR MODEL NUMBER | PART NUMBER | K-1 | A-0 | B-0 | B-1 | C-0 | |
| | | | | 1 | Control Box | G.S | 315746G09 | 1 | 1 |
| 2 | Cover - Connector | G.S | 425302-01 | 1 | 1 | 1 | 1 | 1 | |
| 3 | Cover - Control Box | G.S | 425301-01 | 1 | 1 | 1 | 1 | 1 | |
| 4 | Starter | 040-0001-26 | 434172-01 | 1 | 1 | 1 | 1 | 1 | |
| 5 | Start Capacitor | 014-0008-78 | 434171-02 | 1 | 1 | 1 | 1 | 1 | |
| 6 | Run Capacitor | 014-0037-09 | 434170-01 | 1 | 1 | 1 | 1 | 1 | |
| 7 | Strap - Capacitor | G.S | 431394-03 | 1 | 1 | 1 | 1 | 1 | |
| 8 | Transformer | TR5268 | 2U0041-01 | 1 | 1 | 1 | 1 | 1 | |
| 9 | Timer Board | H2AA144C01 | 437305-01 | 1 | 1 | 1 | 1 | 1 | |
| 10 | Board Support | KGLS-6S | 414929-01 | 8 | 8 | 8 | 8 | 8 | |
| 11 | Relay | LY1F | 418271-04 | 2 | 2 | 2 | 2 | 2 | |
| 12 | Relay | LY2ZF | 406132-06 | 1 | 1 | 1 | 1 | 1 | |
| 13 | Keep Relay | MY2K-HO | 418524-03 | 1 | 1 | 1 | 1 | 1 | |
| 14 | Socket - Relay | PY-14 | 408328-02 | 1 | 1 | 1 | 1 | 1 | |
| 15 | Clamp - Relay | PYC-P | 411353-01 | 1 | 1 | 1 | 1 | 1 | |
| 16 | Bracket - Relay | G.S | 425300-01 | 1 | 1 | 1 | 1 | 1 | |
| 17 | Thermostat | A10-9756 | 420465-01 | 1 | 1 | 1 | 1 | 1 | |
| 18 | Toggle Switch | S-821 | 438030-01 | 1 | 1 | 1 | 1 | 1 | |
| 19 | Push Button Switch | SB-4011N/OT3959 | 420466-01 | 1 | 1 | 1 | 1 | 1 | |
| 20 | Fuse Holder | FH032 | 424288-01 | 1 | 1 | 1 | 1 | 1 | |
| 21 | Fuse | FGA0-2, 1A | 420468-03 | 1 | 1 | 1 | 1 | 1 | |
| 22 | Overload - Gear Motor | W58xBIA4A-2 | 425201-01 | 1 | 1 | 1 | 1 | 1 | |
| 23 | Bushing | SR-7P-2 | 420472-07 | 1 | 1 | 1 | 1 | 1 | |
| 24 | Bushing | SB-625-8 | 420470-01 | 1 | 1 | 1 | 1 | 1 | |
| 25 | Bushing | SB-1093-15 | 420470-03 | 1 | 1 | 1 | 1 | 1 | |
| 26 | Edge Saddle | EDS-1 | 421552-01 | 1 | 1 | 1 | 1 | 1 | |
| 27 | Beeper Bracket | G.S | 323312-01 | 1 | 1 | 1 | 1 | 1 | |
| 28 | Beeper | - | 435937-01 | 1 | 1 | 1 | 1 | 1 | |
| 29 | Tapping Screw | 3x8 | 431415-01 | 6 | 6 | 6 | 6 | 6 | |
| 30 | Relay | LY2F AC240V | 406132-08 | 1 | 1 | 1 | 1 | 1 | |

| MODEL F-1100MRA | | TITLE E. CONTROL BOX ASSY | | | | | |
|--------------------|-----------------------|------------------------------|-------------|--------------|--|--|--|
| INDEX NO. | DESCRIPTION | MATERIAL OR MODEL NUMBER | PART NUMBER | REQ'D NUMBER | | | |
| | | | | C-1 | | | |
| 1 | Control Box | G.S | 315746G09 | 1 | | | |
| 2 | Cover - Connector | G.S | 425302-01 | 1 | | | |
| 3 | Cover - Control Box | G.S | 425301-01 | 1 | | | |
| 4 | Starter | 040-0001-26 | 434172-01 | 1 | | | |
| 5 | Start Capacitor | 014-0008-78 | 434171-02 | 1 | | | |
| 6 | Run Capacitor | 014-0037-09 | 434170-01 | - | | | |
| | | | 434170-05 | 1 | | | |
| 7 | Strap - Capacitor | G.S | 431394-03 | - | | | |
| | | | 431394-01 | 1 | | | |
| 8 | Transformer | TR5268 | 2U0041-01 | 1 | | | |
| 9 | Timer Board | H2AA144C01 | 437305-01 | 1 | | | |
| 10 | Board Support | KGLS-6S | 414929-01 | 8 | | | |
| 11 | Relay | LY1F | 418271-04 | 2 | | | |
| 12 | Relay | LY2ZF | 406132-06 | 1 | | | |
| 13 | Keep Relay | MY2K-HO | 418524-03 | 1 | | | |
| 14 | Socket - Relay | PY-14 | 408328-02 | 1 | | | |
| 15 | Clamp - Relay | PYC-P | 411353-01 | 1 | | | |
| 16 | Bracket - Relay | G.S | 425300-01 | 1 | | | |
| 17 | Thermostat | A10-9756 | 420465-01 | 1 | | | |
| 18 | Toggle Switch | S-821 | 438030-01 | 1 | | | |
| 19 | Push Button Switch | SB-4011N/0T3959 | 420466-01 | 1 | | | |
| 20 | Fuse Holder | FH032 | 424288-01 | 1 | | | |
| 21 | Fuse | FGA0-2, 1A | 420468-03 | 1 | | | |
| 22 | Overload - Gear Motor | W58xBIA4A-2 | 425201-01 | 1 | | | |
| 23 | Bushing | SR-7P-2 | 420472-07 | 1 | | | |
| 24 | Bushing | SB-625-8 | 420470-01 | 1 | | | |
| 25 | Bushing | SB-1093-15 | 420470-03 | 1 | | | |
| 26 | Edge Saddle | EDS-1 | 421552-01 | 1 | | | |
| 27 | Beeper Bracket | G.S | 323312-01 | 1 | | | |
| 28 | Beeper | - | 435937-01 | 1 | | | |
| 29 | Tapping Screw | 3x8 | 431415-01 | 6 | | | |
| 30 | Relay | LY2F AC240V | 406132-08 | 1 | | | |



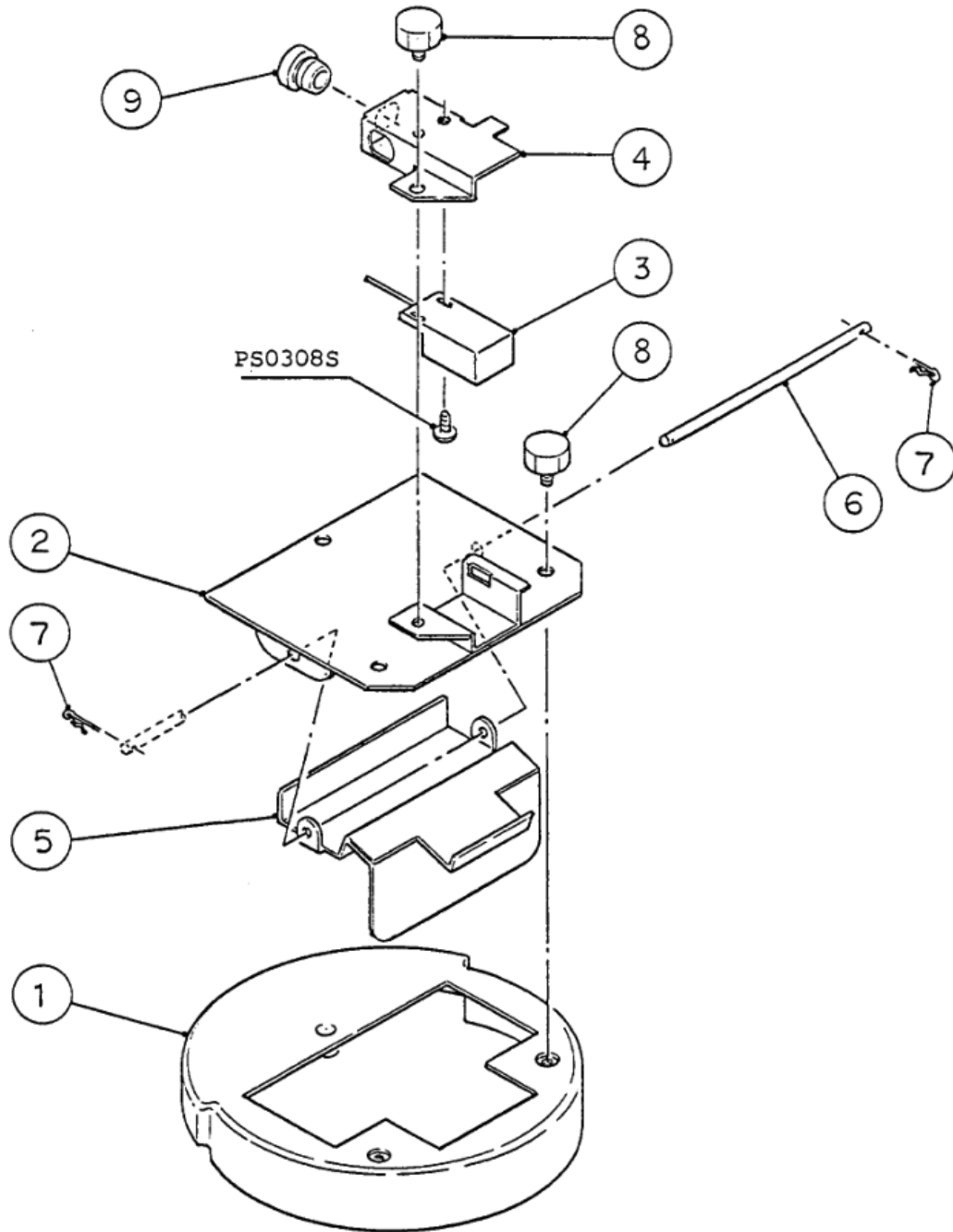
| MODEL | | TITLE | | | | | | |
|-----------|--------------------------------|--------------------------|-------------|--------------|-----|-----|-----|-----|
| F-1101MRA | | F. BIN SWITCH ASSY | | | | | | |
| INDEX NO. | DESCRIPTION | MATERIAL OR MODEL NUMBER | PART NUMBER | REQ'D NUMBER | | | | |
| | | | | K-1 | A-0 | B-0 | B-1 | C-0 |
| 1 | Bracket - Switch | S.S. | 317648G01 | 1 | 1 | 1 | 1 | 1 |
| 2 | Proximity Switch - Bin Control | RS-601 | 427223-01 | 1 | 1 | 1 | 1 | 1 |
| 3 | Bracket - Proximity Switch | S.S | 427158-01 | 1 | 1 | 1 | 1 | 1 |

| MODEL | | TITLE | | | | | | |
|-----------|--------------------------------|--------------------------|-------------|--------------|--|--|--|--|
| F-1101MRA | | F. BIN SWITCH ASSY | | | | | | |
| INDEX NO. | DESCRIPTION | MATERIAL OR MODEL NUMBER | PART NUMBER | REQ'D NUMBER | | | | |
| | | | | C-1 | | | | |
| 1 | Bracket - Switch | S.S. | 317648G01 | 1 | | | | |
| 2 | Proximity Switch - Bin Control | RS-601 | 427223-01 | 1 | | | | |
| 3 | Bracket - Proximity Switch | S.S | 427158-01 | 1 | | | | |

MODEL TITLE
F-1100MRA G. LABEL LOCATION

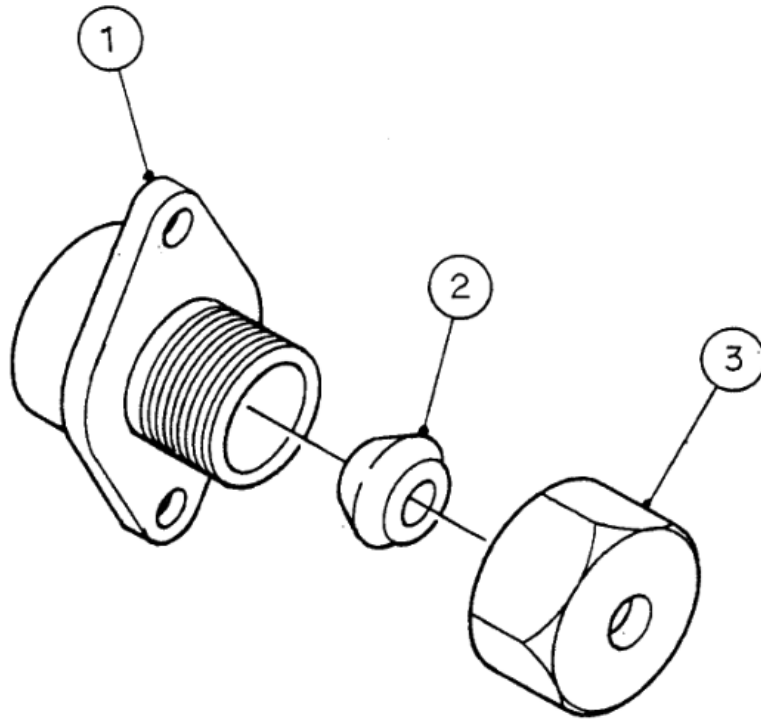
| INDEX NO. | DESCRIPTION | MATERIAL OR MODEL NUMBER | PART NUMBER | REQ'D NUMBER | | | | |
|-----------|--------------------------------|--------------------------|-------------|--------------|-----|-----|-----|-----|
| | | | | K-1 | A-0 | B-0 | B-1 | C-0 |
| 1 | Instruction Sheet - Inst. Ope. | Paper | 208144-01 | 1 | 1 | 1 | 1 | 1 |
| 2 | Instruction Sheet - Bin Inst. | Paper | 208145-01 | 1 | 1 | 1 | 1 | 1 |
| 3 | Emblem (L) - HOSHIZAKI | ABS | 418634G01 | 1 | 1 | 1 | 1 | 1 |
| 4 | Label - Model Number | PETP Film | 435985-18 | 1 | 1 | 1 | 1 | 1 |
| 5 | Label - Penguin | PETP Film | 410994-01 | 1 | 1 | 1 | 1 | 1 |
| 6 | Label - Warning | PVC Film | 425323-01 | x1 | | | | |
| | Caution Label (F) | | 439146-01 | o1 | 1 | 1 | 1 | 1 |
| 7 | Label - Operation, Spout Cont. | PETP Film | 425325-01 | x1 | | | | |
| | Instruction Label | | 443470-01 | o1 | 1 | 1 | 1 | 1 |
| 8 | Label - Operation | PVC Film | 316381-01 | 1 | 1 | 1 | 1 | 1 |
| 9 | Label - Cleaning | PVC Film | 214783-01 | 1 | 1 | 1 | 1 | 1 |
| 10 | Nameplate | PES Film | 438062-01 | 1 | 1 | 1 | 1 | 1 |
| 11 | Rating Label | PES Film | 438065-01 | 1 | 1 | 1 | 1 | 1 |
| 12 | Label - Control | PETP Film | 438059-01 | 1 | 1 | 1 | 1 | 1 |
| 13 | Label - Danger | PVC Film | 425322-01 | x1 | | | | |
| | Caution Label (C) | | 439143-01 | o1 | 1 | 1 | 1 | 1 |
| 14 | Wiring Label | PVC Film | 324880-01 | 1 | 1 | 1 | 1 | 1 |
| 15 | Label - Bin Thermostat | PETP Film | 435984-01 | 1 | 1 | 1 | 1 | 1 |
| 16 | Label - Factory Adjusted | PETP Film | 419404-01 | 1 | 1 | 1 | 1 | 1 |
| 17 | Tag - Caution: Connection | PETP Film | 420743-01 | 1 | 1 | 1 | 1 | 1 |
| 18 | Label - Charge | PES Film | 324977-01 | 1 | 1 | 1 | 1 | 1 |
| 19 | Tag - Fan Motor Leads | Paper | 420742-01 | 1 | 1 | 1 | 1 | 1 |
| 20 | Label - R502 | PES Film | 4A0026-01 | 1 | 1 | 1 | 1 | 1 |
| 21 | Warning Label | PVC Film | 435955-01 | 1 | 1 | 1 | 1 | 1 |
| 22 | Label - Connection | PVC Film | 438234-01 | 1 | 1 | 1 | 1 | 1 |

| MODEL F-1100MRA | | TITLE G. LABEL LOCATION | | | REQ'D NUMBER | | | | |
|--------------------|--------------------------------|-----------------------------|-------------|--------------|--------------|--|--|--|--|
| INDEX NO. | DESCRIPTION | MATERIAL OR MODEL NUMBER | PART NUMBER | REQ'D NUMBER | | | | | |
| | | | | C-1 | | | | | |
| 1 | Instruction Sheet - Inst. Ope. | Paper | 208144-01 | 1 | | | | | |
| 2 | Instruction Sheet - Bin Inst. | Paper | 208145-01 | 1 | | | | | |
| 3 | Emblem (L) - HOSHIZAKI | ABS | 418634G01 | 1 | | | | | |
| 4 | Label - Model Number | PETP Film | 435985-18 | 1 | | | | | |
| 5 | Label - Penguin | PETP Film | 410994-01 | 1 | | | | | |
| 6 | Caution Label (F) | PVC Film | 439146-01 | 1 | | | | | |
| 7 | Instruction Label | PETP Film | 443470-01 | 1 | | | | | |
| 8 | Label - Operation | PVC Film | 316381-01 | 1 | | | | | |
| 9 | Label - Cleaning | PVC Film | 214783-01 | 1 | | | | | |
| 10 | Nameplate | PES Film | 438062-01 | 1 | | | | | |
| 11 | Rating Label | PES Film | 438065-01 | 1 | | | | | |
| 12 | Label - Control | PETP Film | 438059-01 | 1 | | | | | |
| 13 | Caution Label (C) | PVC Film | 439143-01 | 1 | | | | | |
| 14 | Wiring Label | PVC Film | 324880-01 | 1 | | | | | |
| 15 | Label - Bin Thermostat | PETP Film | 435984-01 | 1 | | | | | |
| 16 | Label - Factory Adjusted | PETP Film | 419404-01 | 1 | | | | | |
| 17 | Tag - Caution: Connection | PETP Film | 420743-01 | 1 | | | | | |
| 18 | Label - Charge | PES Film | 324977-01 | 1 | | | | | |
| 19 | Tag - Fan Motor Leads | Paper | 420742-01 | 1 | | | | | |
| 20 | Label - R502 | PES Film | 4A0026-01 | 1 | | | | | |
| 21 | Warning Label | PVC Film | 435955-01 | 1 | | | | | |
| 22 | Label - Connection | PVC Film | 438234-01 | 1 | | | | | |



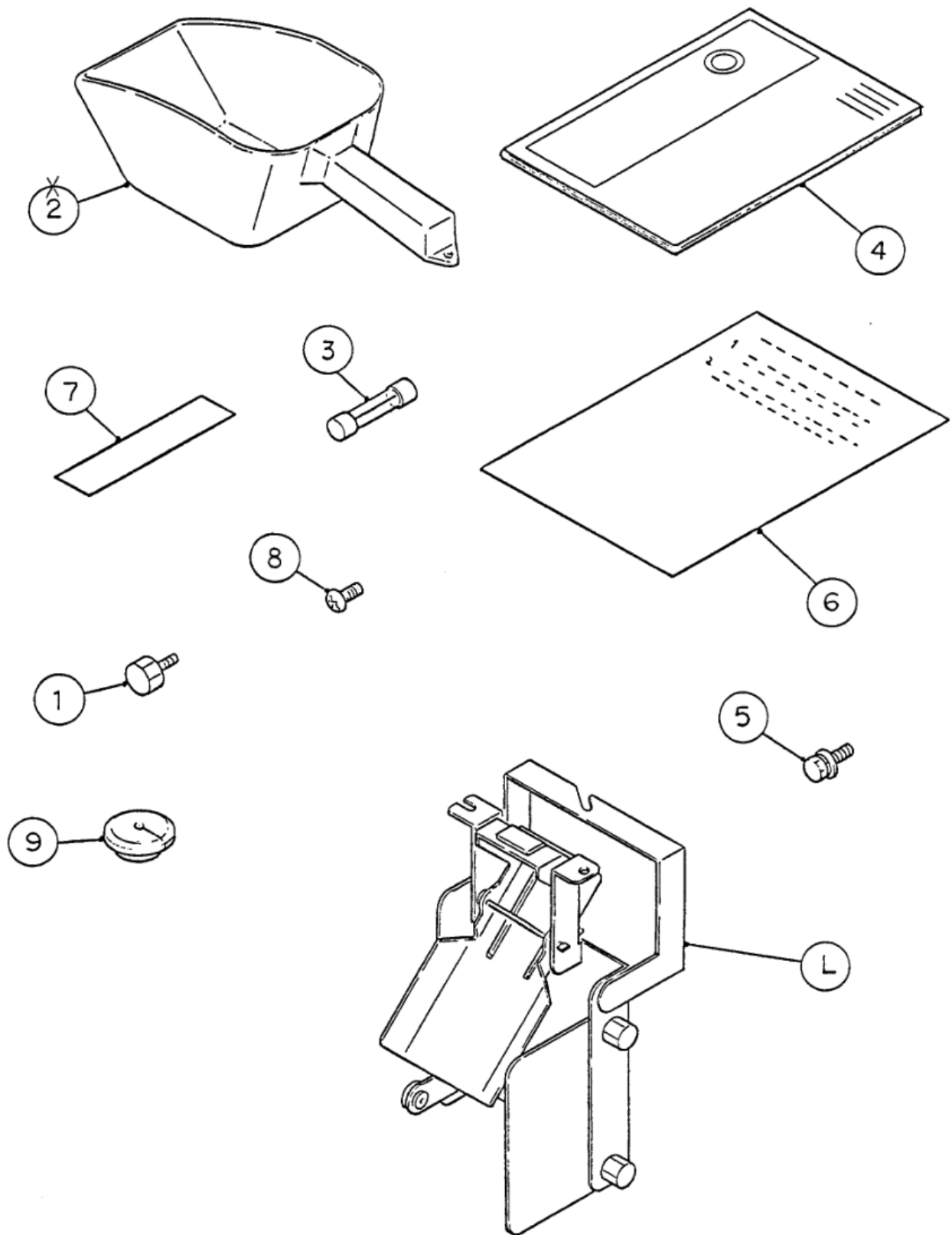
| MODEL | | TITLE | | | | | | |
|-----------|--------------------------|--------------------------|---------------------------|--------------|-----|-----|-----|-----|
| F-1100MRA | | H. SPOUT CONTROL ASSY | | | | | | |
| INDEX NO. | DESCRIPTION | MATERIAL OR MODEL NUMBER | PART NUMBER | REQ'D NUMBER | | | | |
| | | | | K-1 | A-0 | B-0 | B-1 | C-0 |
| 1 | Cover - Chute | ABS | 214796G01 | 1 | 1 | 1 | 1 | 1 |
| 2 | Spout Cover | S.S | 325070G01 | 1 | 1 | 1 | 1 | 1 |
| 3 | Proximity Switch | RS-601 | 427223-01 | 1 | 1 | 1 | 1 | 1 |
| 4 | Cover - Proximity Switch | S.S | 324106-01 | 1 | 1 | 1 | 1 | 1 |
| 5 | Paddle | S.S | 323310G01 | 1 | 1 | 1 | 1 | 1 |
| 6 | Axle | S.S | 435873-01 | 1 | 1 | 1 | 1 | 1 |
| 7 | Snap Pin | S.S, SSP-4 | 715S-0004 | 2 | 2 | 2 | 2 | 2 |
| 8 | Thumbscrew | ABS, S.S | 415949G01 | 3 | 3 | 3 | 3 | 3 |
| 9 | Bushing | SR-5KN-4 | 420472-06 | 1 | 1 | 1 | 1 | 1 |

| MODEL | | TITLE | | | | | | |
|-----------|--------------------------|--------------------------|---------------------------|--------------|--|--|--|--|
| F-1100MRA | | H. SPOUT CONTROL ASSY | | | | | | |
| INDEX NO. | DESCRIPTION | MATERIAL OR MODEL NUMBER | PART NUMBER | REQ'D NUMBER | | | | |
| | | | | C-1 | | | | |
| 1 | Cover - Chute | ABS | 214796G01 | 1 | | | | |
| 2 | Spout Cover | S.S | 325070G01 | 1 | | | | |
| 3 | Proximity Switch | RS-601 | 427223-01 | 1 | | | | |
| 4 | Cover - Proximity Switch | S.S | 324106-01 | 1 | | | | |
| 5 | Paddle | S.S | 323310G01 | 1 | | | | |
| 6 | Axle | S.S | 435873-01 | 1 | | | | |
| 7 | Snap Pin | S.S, SSP-4 | 715S-0004 | 2 | | | | |
| 8 | Thumbscrew | ABS, S.S | 415949G01 | 3 | | | | |
| 9 | Bushing | SR-5KN-4 | 420472-06 | 1 | | | | |



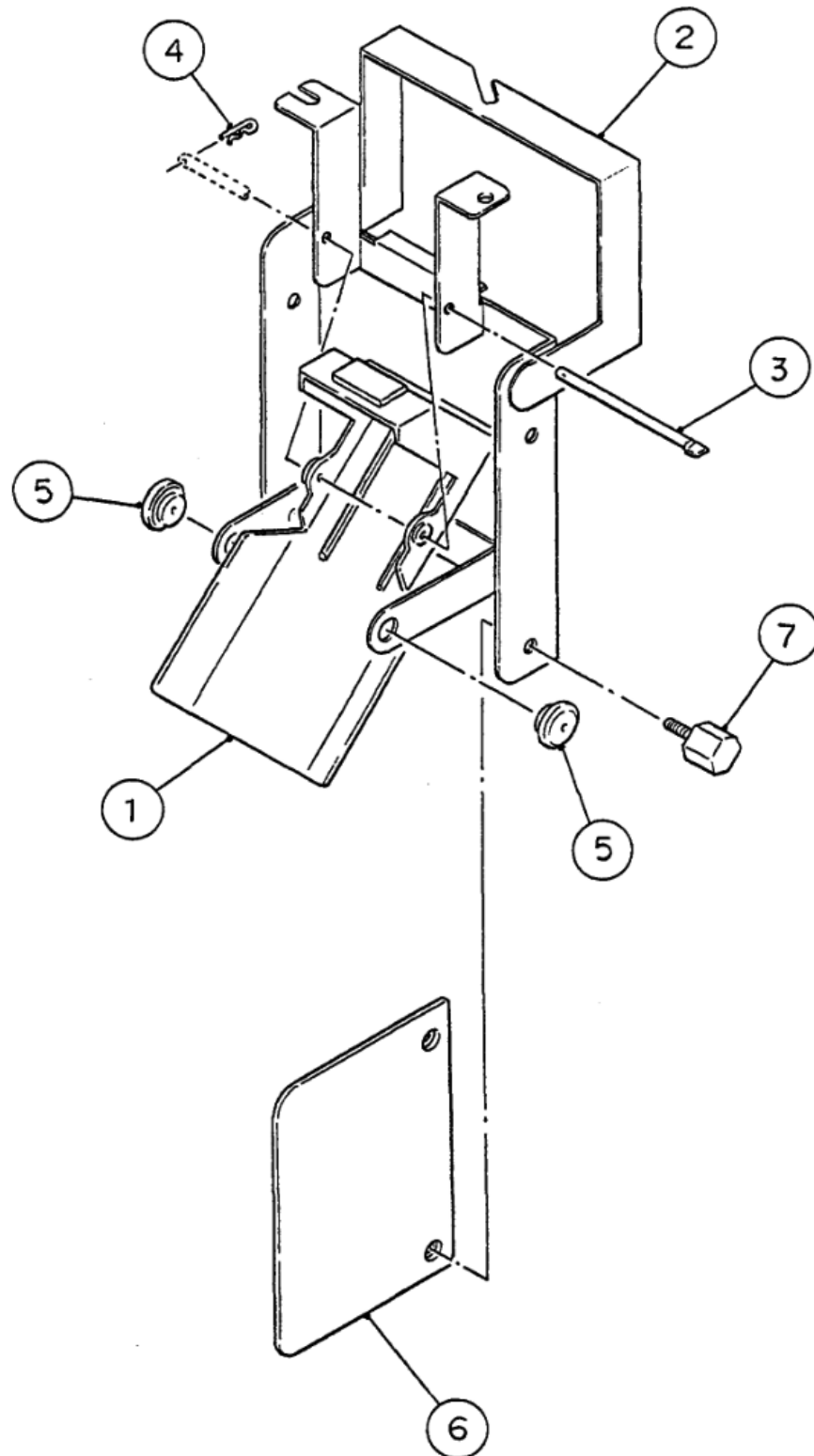
| MODEL | | TITLE | | | | | | |
|-----------|-------------|--------------------------|-------------|--------------|-----|-----|-----|-----|
| F-1100MRA | | J. FITTING (K) ASSY | | | | | | |
| INDEX NO. | DESCRIPTION | MATERIAL OR MODEL NUMBER | PART NUMBER | REQ'D NUMBER | | | | |
| | | | | K-1 | A-0 | B-0 | B-1 | C-0 |
| 1 | Fitting (K) | Brass Casting | 310978-01 | 1 | 1 | 1 | 1 | 1 |
| 2 | Packing (C) | Sy.R | 415715-02 | 1 | 1 | 1 | 1 | 1 |
| 3 | Nut (B) | Brass | 415713-02 | 1 | 1 | 1 | 1 | 1 |

| MODEL | | TITLE | | | | | | |
|-----------|-------------|--------------------------|-------------|--------------|--|--|--|--|
| F-1100MRA | | J. FITTING (K) ASSY | | | | | | |
| INDEX NO. | DESCRIPTION | MATERIAL OR MODEL NUMBER | PART NUMBER | REQ'D NUMBER | | | | |
| | | | | C-1 | | | | |
| 1 | Fitting (K) | Brass Casting | 310978-01 | 1 | | | | |
| 2 | Packing (C) | Sy.R | 415715-02 | 1 | | | | |
| 3 | Nut (B) | Brass | 415713-02 | 1 | | | | |



| MODEL F-1100MRA | | TITLE K. ACCESSORIES | | | REQ'D NUMBER | | | | |
|--------------------|---------------------------------|--------------------------|-------------|-----|------------------|-----|-----------|-----|---|
| INDEX NO. | DESCRIPTION | MATERIAL OR MODEL NUMBER | PART NUMBER | K-1 | A-0 | B-0 | B-1 | C-0 | |
| | | | | J | BIN CONTROL ASSY | - | 325073A01 | 1 | 1 |
| 1 | Thumbscrew | S.S, ABS | 415949G04 | 3 | 3 | 3 | 3 | 3 | |
| 2 | Scoop | PE | 208185-01 | 1 | 1 | 1 | x1 | | |
| 3 | Fuse | FGA-2, 1A | 420468-03 | 1 | 1 | 1 | 1 | 1 | |
| 4 | Instruction Manual | Paper | 91U2Af10A | 1 | 1 | 1 | 1 | 1 | |
| 5 | Bolt And Washer Assy SW | S.S, M8x16 | - | 2 | 2 | 2 | 2 | 2 | |
| 6 | Instruction Sheet - Bin Control | Paper | 323351-01 | 1 | 1 | 1 | 1 | 1 | |
| 7 | Instruction Sheet - Fastener | Paper | 427122-01 | 1 | 1 | 1 | 1 | 1 | |
| 8 | Truss Head Machine Screw | S.S, M4x30 | - | 2 | 2 | 2 | 2 | 2 | |
| 9 | Bushing - Cappillary Tube | EP Rubber | 425307-01 | 1 | 1 | 1 | 1 | 1 | |

| MODEL F-1100MRA | | TITLE K. ACCESSORIES | | | REQ'D NUMBER | | | | |
|--------------------|---------------------------------|--------------------------|-------------|-----|------------------|---|-----------|---|--|
| INDEX NO. | DESCRIPTION | MATERIAL OR MODEL NUMBER | PART NUMBER | C-1 | | | | | |
| | | | | J | BIN CONTROL ASSY | - | 325073A01 | 1 | |
| 1 | Thumbscrew | S.S, ABS | 415949G04 | 3 | | | | | |
| 2 | - | - | - | - | | | | | |
| 3 | Fuse | FGA-2, 1A | 420468-03 | 1 | | | | | |
| 4 | Instruction Manual | Paper | 91U2Af10A | 1 | | | | | |
| 5 | Bolt And Washer Assy SW | S.S, M8x16 | - | 2 | | | | | |
| 6 | Instruction Sheet - Bin Control | Paper | 323351-01 | 1 | | | | | |
| 7 | Instruction Sheet - Fastener | Paper | 427122-01 | 1 | | | | | |
| 8 | Truss Head Machine Screw | S.S, M4x30 | - | 2 | | | | | |
| 9 | Bushing - Cappillary Tube | EP Rubber | 425307-01 | 1 | | | | | |



| MODEL | | TITLE | | | | | | |
|-----------|--------------------------|--------------------------|-------------|--------------|-----|-----|-----|-----|
| F-1100MRA | | L. BIN CONTROL ASSY | | | | | | |
| INDEX NO. | DESCRIPTION | MATERIAL OR MODEL NUMBER | PART NUMBER | REQ'D NUMBER | | | | |
| | | | | K-1 | A-0 | B-0 | B-1 | C-0 |
| 1 | Actuator Switch | ABS, S.S | 209168G01 | 1 | 1 | 1 | 1 | 1 |
| 2 | Bin Control Bracket | S.S | 325072G01 | 1 | 1 | 1 | 1 | 1 |
| 3 | Shaft | - | 412337-03 | 1 | 1 | 1 | 1 | 1 |
| 4 | Snap Pin | S.S | 715S-0004 | 1 | 1 | 1 | 1 | 1 |
| 5 | Bushing - Capillary Tube | S.S, SSP-4 | 425307-01 | 2 | 2 | 2 | 2 | 2 |
| 6 | Paddle Cover | PC | 438297G01 | 1 | 1 | 1 | 1 | 1 |
| 7 | Thumbscrew | ABS, S.S | 415949G01 | 2 | 2 | 2 | 2 | 2 |

| MODEL | | TITLE | | | | | | |
|-----------|--------------------------|--------------------------|-------------|--------------|--|--|--|--|
| F-1100MRA | | L. BIN CONTROL ASSY | | | | | | |
| INDEX NO. | DESCRIPTION | MATERIAL OR MODEL NUMBER | PART NUMBER | REQ'D NUMBER | | | | |
| | | | | C-1 | | | | |
| 1 | Actuator Switch | ABS, S.S | 209168G01 | 1 | | | | |
| 2 | Bin Control Bracket | S.S | 325072G01 | 1 | | | | |
| 3 | Shaft | - | 412337-03 | 1 | | | | |
| 4 | Snap Pin | S.S | 715S-0004 | 1 | | | | |
| 5 | Bushing - Capillary Tube | S.S, SSP-4 | 425307-01 | 2 | | | | |
| 6 | Paddle Cover | PC | 438297G01 | 1 | | | | |
| 7 | Thumbscrew | ABS, S.S | 415949G01 | 2 | | | | |