



HOSHIZAKI

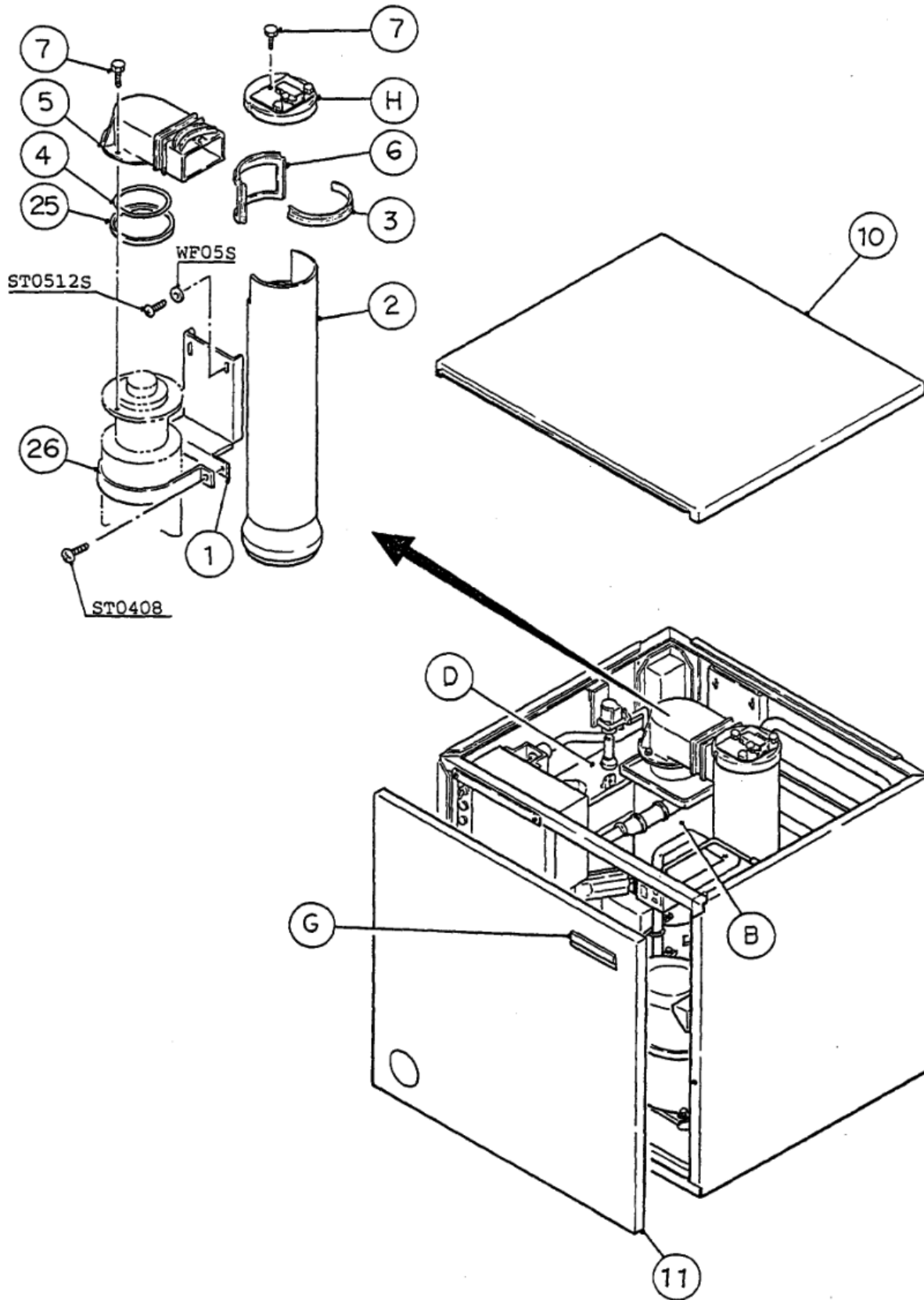
MODULAR FLAKER

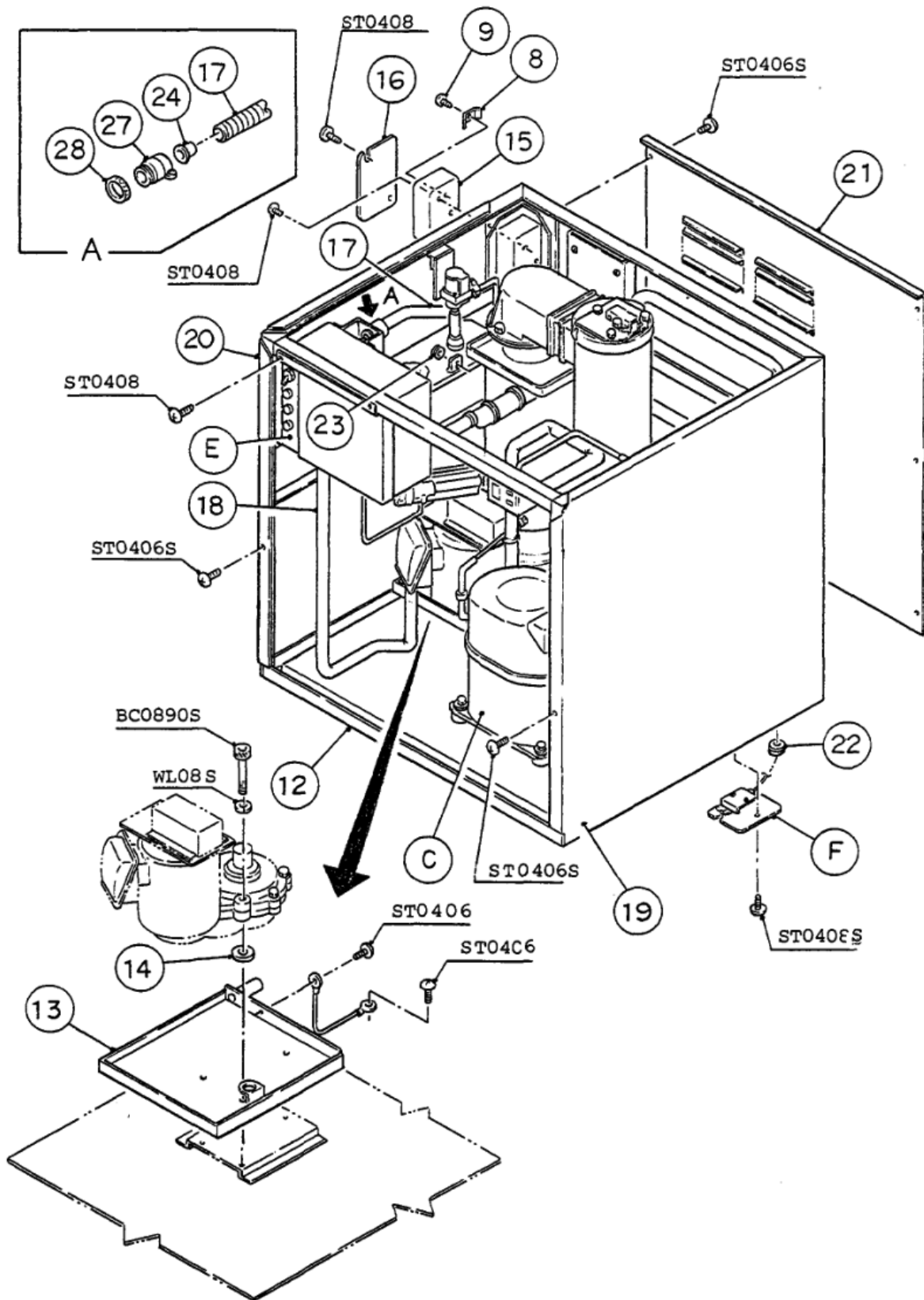
MODEL

F-1100MWA

PARTS LIST FINAL

| | |
|----------|---------------|
| ISSUED: | MAY 28, 1990 |
| REVISED: | NOV. 16, 1993 |
| PRINTED: | JULY 27, 1995 |
| ITEM NO: | 71036 |

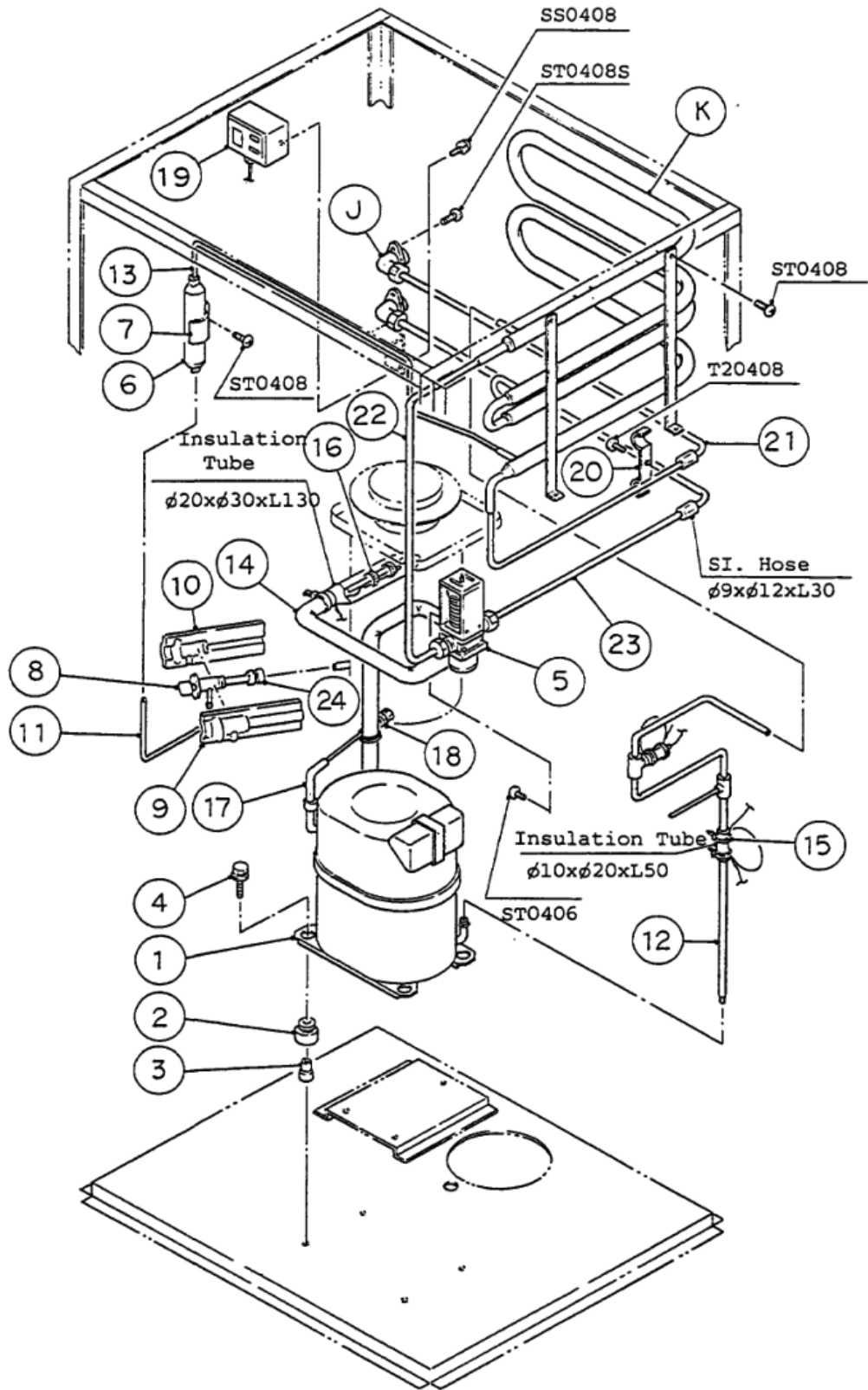




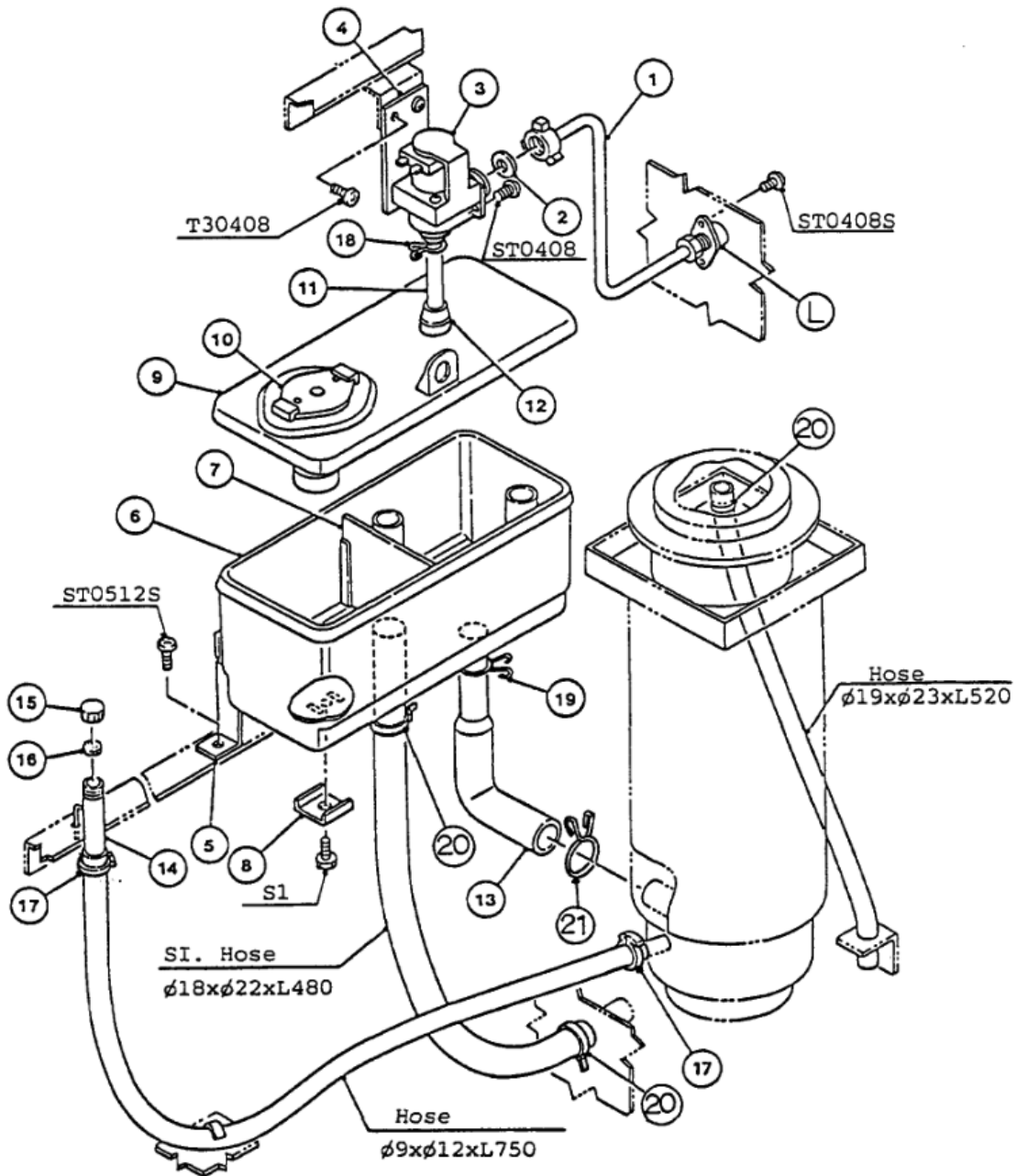
| MODEL | | TITLE | | | | | | |
|-----------|----------------------|--------------------------|-------------|--------------|-----|-----|-----|-----|
| F-1100MWA | | A. ICE FLAKER ASSY | | | | | | |
| INDEX NO. | DESCRIPTION | MATERIAL OR MODEL NUMBER | PART NUMBER | REQ'D NUMBER | | | | |
| | | | | K-1 | A-0 | B-0 | C-1 | C-2 |
| B | EVAPORATOR ASSY | - | 319958A03 | 1 | 1 | 1 | 1 | 1 |
| C | REFRIGERATION UNIT | - | 104902A01 | 1 | 1 | 1 | - | |
| | | | 104902A02 | | | | 1 | 1 |
| D | WATER CIRCUIT | - | 103078A04 | 1 | 1 | 1 | 1 | 1 |
| E | CONTROL BOX ASSY | - | 214652A02 | 1 | 1 | 1 | 1 | - |
| | | | 214652A05 | | | | | 1 |
| F | BIN SWITCH ASSY | - | 317679A01 | 1 | 1 | 1 | 1 | 1 |
| G | LABEL LOCATION | - | 213149A05 | 1 | 1 | 1 | 1 | 1 |
| H | SPOUT CONTROL ASSY | - | 325071A01 | 1 | 1 | 1 | 1 | 1 |
| 1 | Bracket - Evaporator | G.S | 431735-01 | 1 | 1 | 1 | 1 | 1 |
| 2 | Chute | PE | 315723-01 | 1 | 1 | 1 | 1 | 1 |
| 3 | Packing - Chute | EPDM | 425255-01 | 1 | 1 | 1 | 1 | 1 |
| 4 | "O" Ring | G95 | 7616-G095 | 1 | 1 | 1 | 1 | 1 |
| 5 | Spout | PC | 103932G01 | 1 | 1 | 1 | 1 | 1 |
| 6 | Packing - Spout | EPDM | 315722-01 | 1 | 1 | 1 | 1 | 1 |
| 7 | Thumbscrew | S.S, ABS | 415949G03 | 4 | 4 | 4 | 4 | 4 |
| 8 | Square Washer | Copper | 433537-01 | 1 | 1 | 1 | 1 | 1 |
| 9 | Screw - Grounding | Brass | 433304-01 | 1 | 1 | 1 | 1 | 1 |
| 10 | Top Panel | S.S | 315750G01 | 1 | 1 | 1 | - | |
| | | | 315750G02 | | | | 1 | 1 |
| 11 | Front Panel | S.S | 315937-02 | 1 | 1 | 1 | - | |
| | | | 315937-03 | | | | 1 | 1 |
| 12 | Frame | G.S | 315778G06 | 1 | 1 | 1 | 1 | 1 |
| 13 | Drip Pan | S.S | 317168G01 | 1 | 1 | 1 | 1 | 1 |
| 14 | Washer | PVC | 422916-01 | 3 | 3 | 3 | 3 | 3 |
| 15 | Junction Box | No.6001 | 421587-01 | 1 | 1 | 1 | 1 | 1 |
| 16 | Cover - Junction Box | G.S | 420594-01 | 1 | 1 | 1 | 1 | 1 |
| 17 | Conduit | - | 429313-02 | 1 | 1 | 1 | 1 | 1 |
| 18 | Conduit | - | 429313-01 | 1 | 1 | 1 | 1 | 1 |
| 19 | Side Panel (Right) | S.S | 316033G01 | 1 | 1 | 1 | - | |
| | | | 316033G02 | | | | 1 | 1 |
| 20 | Side Panel (Left) | S.S | 315748G02 | 1 | 1 | 1 | - | |
| | | | 315748G03 | | | | 1 | 1 |
| 21 | Rear Panel | S.S | 316034-02 | 1 | 1 | 1 | 1 | 1 |

| MODEL | | TITLE | | | | | | |
|-----------|-------------------|--------------------------|-------------|--------------|-----|-----|-----|-----|
| F-1100MWA | | A. ICE FLAKER ASSY | | | | | | |
| INDEX NO. | DESCRIPTION | MATERIAL OR MODEL NUMBER | PART NUMBER | REQ'D NUMBER | | | | |
| | | | | K-1 | A-0 | B-0 | C-1 | C-2 |
| 22 | Bushing | SB-437-5 | 420470-07 | 1 | 1 | 1 | 1 | 1 |
| 23 | Bushing | SR-30-1 | 420472-03 | 1 | 1 | 1 | 1 | 1 |
| 24 | Collar | Steel | 430335-01 | 4 | 4 | 4 | 4 | 4 |
| 25 | Ring | PA | 431736-01 | 1 | 1 | 1 | 1 | 1 |
| 26 | Strap | G.S | 431737-01 | 1 | 1 | 1 | 1 | 1 |
| 27 | Fitting – Conduit | NS-1621 | 435753-01 | 4 | 4 | 4 | 4 | 4 |
| 28 | Nut | t3.6 | 435753F01 | 4 | 4 | 4 | 4 | 4 |

| MODEL | | TITLE | | | | | | |
|-----------|-----------------------|--------------------------|---------------------------|--------------|-----|-----|-----|-----|
| F-1100MWA | | B. EVAPORATOR ASSY | | | | | | |
| INDEX NO. | DESCRIPTION | MATERIAL OR MODEL NUMBER | PART NUMBER | REQ'D NUMBER | | | | |
| | | | | K-1 | A-0 | B-0 | C-1 | C-2 |
| 1 | Bearing (Lower) | - | 315732G02 | 1 | 1 | 1 | 1 | 1 |
| 2 | "O" Ring | G90 | 7616-G090 | 1 | 1 | 1 | 1 | 1 |
| 3 | Mechanical Seal | HK9A-MN | 432493-01 | 1 | 1 | 1 | 1 | 1 |
| 4 | Auger | S.S | 211062G01 | 1 | 1 | 1 | 1 | 1 |
| 5 | Evaporator | - | 425273G04 | 1 | 1 | 1 | 1 | 1 |
| 6 | Extruding Head | S.S | 208117G02 | 1 | 1 | 1 | 1 | 1 |
| 7 | Washer | S.S | 425277-01 | 3 | 3 | 3 | 3 | 3 |
| 8 | Cutter | S.S | 315734-01 | 1 | 1 | 1 | 1 | 1 |
| 9 | Socket Head Cap Screw | S.S, M10 | 429121-02 | 3 | 3 | 3 | 3 | 3 |
| 10 | Gear Motor | MGZ2200UL-160 | 432068-01 | 1 | 1 | 1 | 1 | 1 |
| 11 | Cover - Gear Motor | G.S | 431532-01 | 1 | 1 | 1 | 1 | 1 |



| MODEL F-1100MWA | | TITLE C. REFRIGERATION UNIT | | | | | | |
|--------------------|--------------------------------|--------------------------------|-------------|--------------|-----|-----|-----|-----|
| INDEX NO. | DESCRIPTION | MATERIAL OR MODEL NUMBER | PART NUMBER | REQ'D NUMBER | | | | |
| | | | | K-1 | A-0 | B-0 | C-1 | C-2 |
| J | FITTING (U) ASSY | (S-0382) | 314347A01 | 2 | 2 | 2 | 2 | 2 |
| K | CONDENSER - WATER-COOLED | (S-0697) | 214692A01 | 1 | 1 | 1 | 1 | 1 |
| 1 | Compressor | REK3-0125-PFV | 434209-01 | 1 | 1 | 1 | 1 | 1 |
| 2 | Grommet | 527-0039-04 | 434403-01 | 4 | 4 | 4 | 4 | 4 |
| 3 | Spacer | 527-0039-04 | 434404-01 | 4 | 4 | 4 | 4 | 4 |
| 4 | Bolt | 8x50 | 436206-01 | 4 | 4 | 4 | 4 | 4 |
| 5 | Water Regulator | WVII-33RHD | 415425-01 | 1 | 1 | 1 | 1 | 1 |
| 6 | Drier | KC-6749 | 427061-01 | 1 | 1 | 1 | 1 | 1 |
| 7 | Strap | G.S | 425280-02 | 1 | 1 | 1 | 1 | 1 |
| 8 | Expansion Valve | HFE-10RHD-3 | 433534-03 | 1 | 1 | 1 | 1 | 1 |
| 9 | Cover (A) - EXPV. | PE | 324313-01 | 1 | 1 | 1 | 1 | 1 |
| 10 | Cover (B) - EXPV. | PE | 324313-02 | 1 | 1 | 1 | 1 | 1 |
| 11 | Copper Tube (J) - High Side | Copper | 425286-03 | 1 | 1 | 1 | 1 | 1 |
| 12 | Copper Tube (A) - High Side | Copper | 324943G01 | 1 | 1 | 1 | - | |
| | | | 219020G01 | | | | 1 | 1 |
| 13 | Copper Tube (B) - High Side | Copper | 324944-01 | 1 | 1 | 1 | 1 | 1 |
| 14 | Copper Tube - Low Side | Copper | 324945G01 | 1 | 1 | 1 | 1 | 1 |
| 15 | Tie | CV-150 | 7920-0003 | 9 | 9 | 9 | 9 | 9 |
| 16 | Clamp | D11-S | 435254-04 | 2 | 2 | 2 | 2 | 2 |
| 17 | Copper Tube - Access Valve | Copper | 437909-01 | 1 | 1 | 1 | 1 | 1 |
| 18 | Access Valveide | TCJ-2FS15-HD | 417366-01 | 1 | 1 | 1 | 1 | 1 |
| 19 | Pressure Switch | SNS-2CT130YQ3 | 425679-01 | 1 | 1 | 1 | 1 | 1 |
| 20 | Strap | G.S | 425668-01 | 1 | 1 | 1 | 1 | 1 |
| 21 | Pipe (A) | Copper | 425675-01 | 1 | 1 | 1 | 1 | 1 |
| 22 | Copper Tube (B) - Water-cooled | Copper m | 438108G01 | 1 | 1 | 1 | 1 | 1 |
| 23 | Copper Tube (A) - Water-cooled | Copper | 438109G01 | 1 | 1 | 1 | 1 | 1 |
| 24 | Socket | Copper | 436578-01 | 1 | 1 | 1 | 1 | 1 |

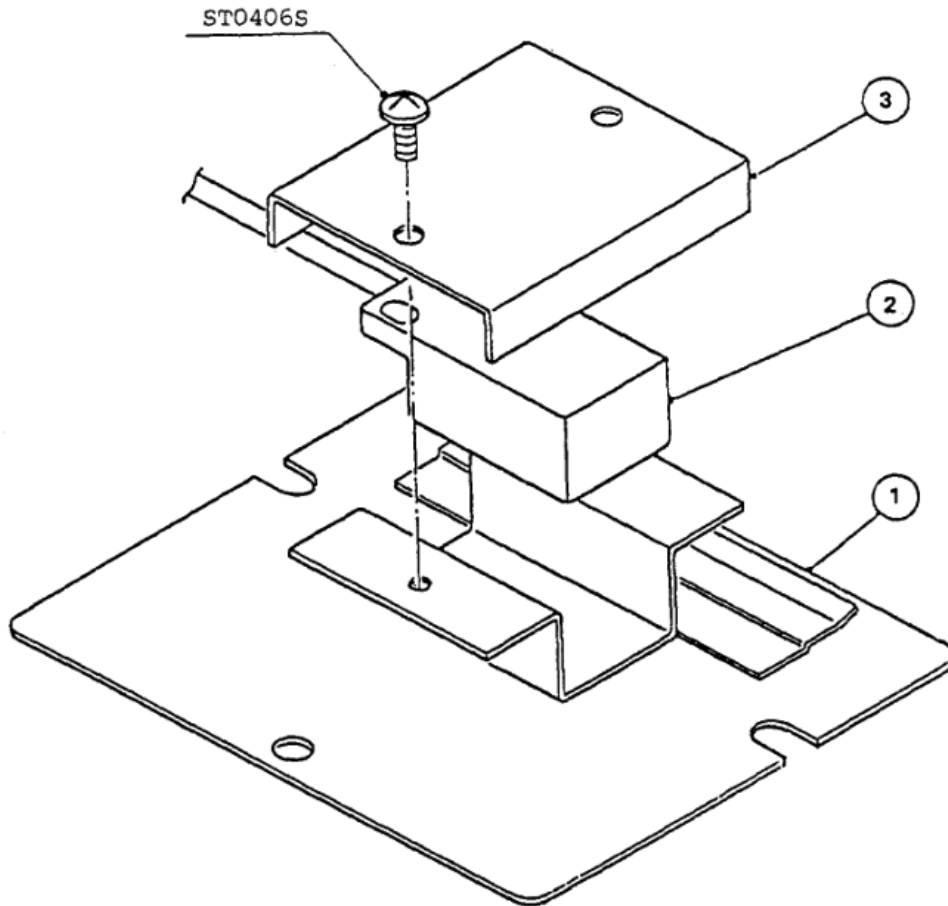


FASTENER

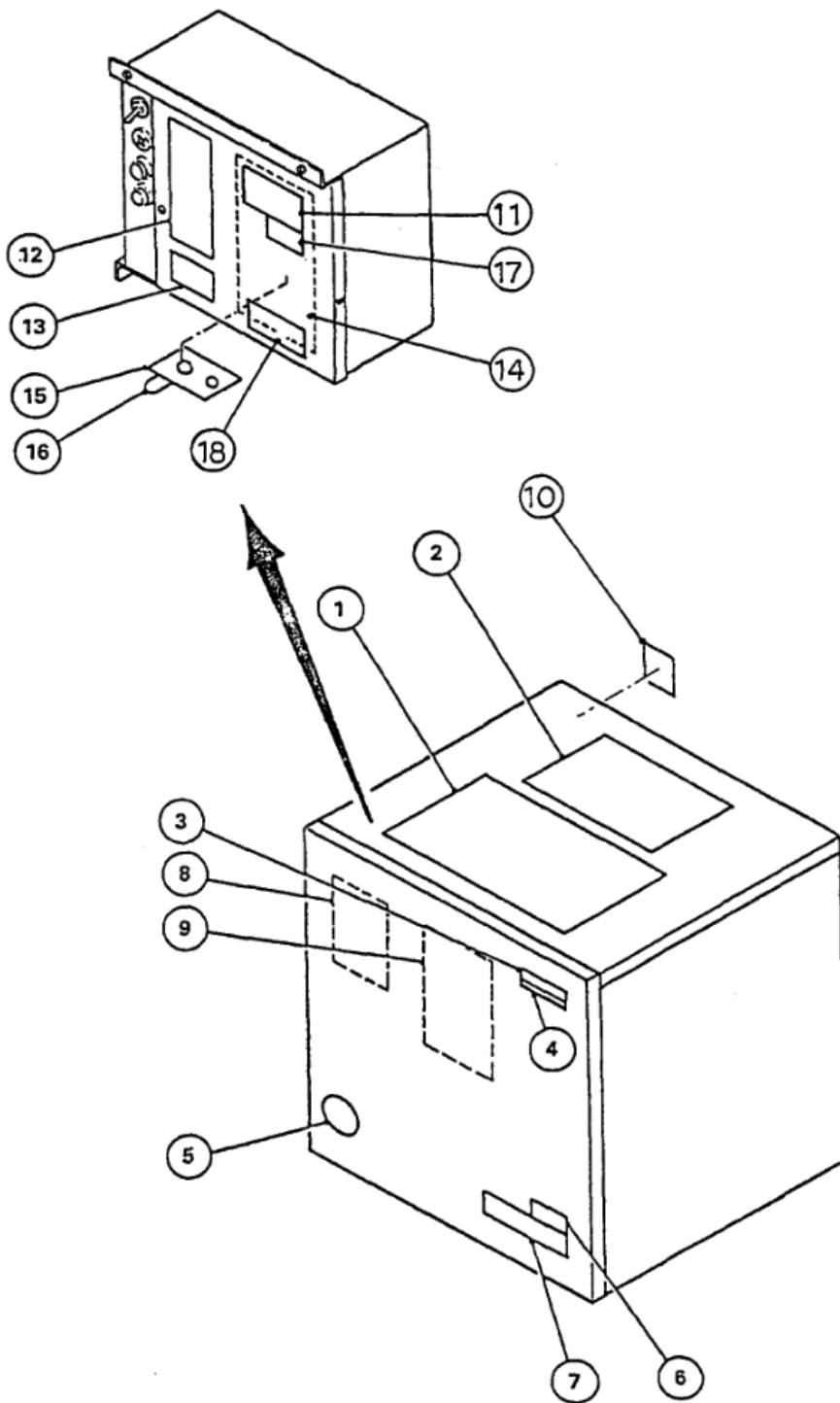
SI - Thumbscrew, M4x6

| MODEL | | TITLE | | | | | | |
|-----------|-------------------------|--------------------------|---------------------------|--------------|-----|-----|-----|-----|
| F-1100MWA | | D. WATER CIRCUIT | | | | | | |
| INDEX NO. | DESCRIPTION | MATERIAL OR MODEL NUMBER | PART NUMBER | REQ'D NUMBER | | | | |
| | | | | K-1 | A-0 | B-0 | C-1 | C-2 |
| L | FITTING (K) ASSY | (S-0331) | 310978A01 | 1 | 1 | 1 | 1 | 1 |
| 1 | Pipe - Water Supply | S.S | 425287G01 | 1 | 1 | 1 | 1 | 1 |
| 2 | Packing | NBR | 413854-03 | 1 | 1 | 1 | 1 | 1 |
| 3 | Water Valve | J246-086 | 3U0065-01 | 1 | 1 | 1 | 1 | 1 |
| 4 | Bracket - Water Valve | G.S | 425288-01 | 1 | 1 | 1 | 1 | 1 |
| 5 | Bracket – Reservoir | G.S | 315744-01 | 1 | 1 | 1 | 1 | 1 |
| 6 | Reservoir | ABS | 208125-02 | 1 | 1 | 1 | 1 | 1 |
| 7 | Separator – Reservoir | ABS | 423538-02 | 1 | 1 | 1 | 1 | 1 |
| 8 | Collar | S.S | 423416-01 | 1 | 1 | 1 | 1 | 1 |
| 9 | Cover – Reservoir | ABS | 208126-02 | 1 | 1 | 1 | 1 | 1 |
| 10 | Float Switch | TW-1221-101 | 435490-01 | 1 | 1 | 1 | 1 | 1 |
| 11 | Hose - Water Supply | EVA | 425289-01 | 1 | 1 | 1 | 1 | 1 |
| 12 | Cover – Reservoir Inlet | SI.R | 415094-01 | 1 | 1 | 1 | 1 | 1 |
| 13 | Hose - Water Supply | EPDM | 428615-05 | 1 | 1 | 1 | 1 | 1 |
| 14 | Pipe – Drain | S.S | 425292G01 | 1 | 1 | 1 | 1 | 1 |
| 15 | Cap – Drain | Brass | 425293-01 | 1 | 1 | 1 | 1 | 1 |
| 16 | Packing – Drain | Sy.R | 425294-01 | 1 | 1 | 1 | 1 | 1 |
| 17 | Clamp | MH-30N | 426142-04 | 2 | 2 | 2 | 2 | 2 |
| 18 | Clamp | SK-17 | 435934-05 | 1 | 1 | 1 | 1 | 1 |
| 19 | Clamp | SK-18.3 | 435934-06 | 1 | 1 | 1 | 1 | 1 |
| 20 | Tie | CV-150 | 7920-0003 | 3 | 3 | 3 | 3 | 3 |
| 21 | Clamp | SK-25 | 435934-07 | 1 | 1 | 1 | 1 | 1 |

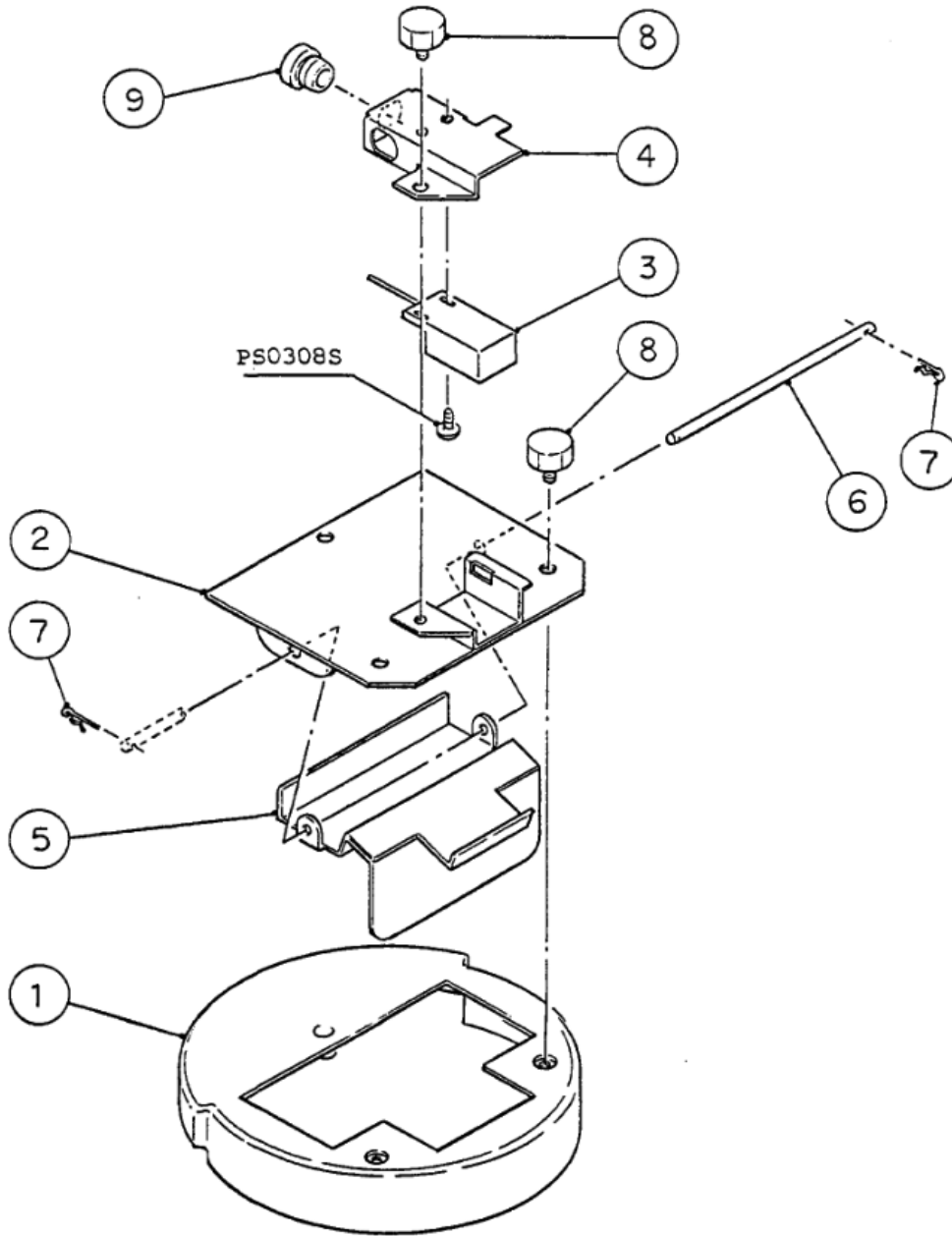
| MODEL | | TITLE | | | REQ'D NUMBER | | | | |
|-----------|------------------------|--------------------------|-------------|--------------|--------------|-----|-----|-----|--|
| F-1100MWA | | E. CONTROL BOX ASSY | | | | | | | |
| INDEX NO. | DESCRIPTION | MATERIAL OR MODEL NUMBER | PART NUMBER | REQ'D NUMBER | | | | | |
| | | | | K-1 | A-0 | B-0 | C-1 | C-2 | |
| 1 | Control Box | G.S | 315746G08 | 1 | 1 | 1 | 1 | 1 | |
| 2 | Cover - Connector | G.S | 425302-01 | 1 | 1 | 1 | 1 | 1 | |
| 3 | Cover - Control Box | G.S | 425301-01 | 1 | 1 | 1 | 1 | 1 | |
| 4 | Starter | 040-0001-26 | 434172-01 | 1 | 1 | 1 | 1 | 1 | |
| 5 | Start Capacitor | 014-0008-78 | 434171-02 | 1 | 1 | 1 | 1 | 1 | |
| 6 | Run Capacitor | 014-0037-09 | 434170-01 | 1 | 1 | 1 | 1 | - | |
| | | | 434170-05 | | | | | 1 | |
| 7 | Strap - Capacitor | G.S | 431394-03 | 1 | 1 | 1 | 1 | - | |
| | | | 431394-01 | | | | | 1 | |
| 8 | Transformer | TR5268 | 2U0041-01 | 1 | 1 | 1 | 1 | 1 | |
| 9 | Timer Board | H2AA144C01 | 437305-01 | 1 | 1 | 1 | 1 | 1 | |
| 10 | Board Support | KGLS-6S | 414929-01 | 8 | 8 | 8 | 8 | 8 | |
| 11 | Re lay | LY1F | 418271-04 | 1 | 1 | 1 | 1 | 1 | |
| 12 | Re lay | LY2ZF | 406132-06 | 1 | 1 | 1 | 1 | 1 | |
| 13 | Keep Relay | MY2K-HO | 418524-03 | 1 | 1 | 1 | 1 | 1 | |
| 14 | Socket - Relay | PY-14 | 408328-02 | 1 | 1 | 1 | 1 | 1 | |
| 15 | Clamp - Relay | PYC-P | 411353-01 | 1 | 1 | 1 | 1 | 1 | |
| 16 | Bracket - Relay | G.S | 425300-01 | 1 | 1 | 1 | 1 | 1 | |
| 17 | Thermostat | A10-9756 | 420465-01 | 1 | 1 | 1 | 1 | 1 | |
| 18 | Toggle Switch | S-821 | 438030-01 | 1 | 1 | 1 | 1 | 1 | |
| 19 | Push Button Switch | SB-4011N/OT3959 | 420466-01 | 1 | 1 | 1 | 1 | 1 | |
| 20 | Fuse Holder | FH032 | 424288-01 | 1 | 1 | 1 | 1 | 1 | |
| 21 | Fuse | FGAO-2 | 420468-03 | 1 | 1 | 1 | 1 | 1 | |
| 22 | Over load - Gear Motor | W58xBIA4A-2 | 425201-01 | 1 | 1 | 1 | 1 | 1 | |
| 23 | Bushing | SR-6N3-4 | 420472-04 | 1 | 1 | 1 | 1 | 1 | |
| 24 | Bushing | SB-625-8 | 420470-01 | 1 | 1 | 1 | 1 | 1 | |
| 25 | Bushing | SB-750-10 | 420470-05 | 1 | 1 | 1 | 1 | 1 | |
| 26 | Edge Saddle | EDS-1 | 421552-01 | 1 | 1 | 1 | 1 | 1 | |
| 27 | Beeper Bracket | G.S | 323312-01 | 1 | 1 | 1 | 1 | 1 | |
| 28 | Beeper | - | 435937-01 | 1 | 1 | 1 | 1 | 1 | |
| 29 | Tapping Screw | 3x8 | 431415-01 | 4 | 4 | 4 | 4 | 4 | |



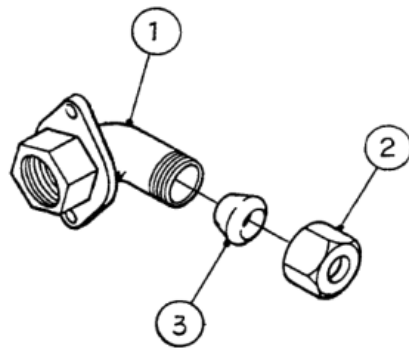
| MODEL | | TITLE | | | | | | |
|-----------|--------------------------------|--------------------------|-------------|--------------|-----|-----|-----|-----|
| F-1100MWA | | F. BIN SWITCH ASSY | | | | | | |
| INDEX NO. | DESCRIPTION | MATERIAL OR MODEL NUMBER | PART NUMBER | REQ'D NUMBER | | | | |
| | | | | K-1 | A-0 | B-0 | C-1 | C-2 |
| 1 | Bracket - Switch | S.S | 317648G01 | 1 | 1 | 1 | 1 | 1 |
| 2 | Proximity Switch - Bin Control | RS-601 | 427223-01 | 1 | 1 | 1 | 1 | 1 |
| 3 | Bracket - Proximity Switch | S.S | 427158-01 | 1 | 1 | 1 | 1 | 1 |



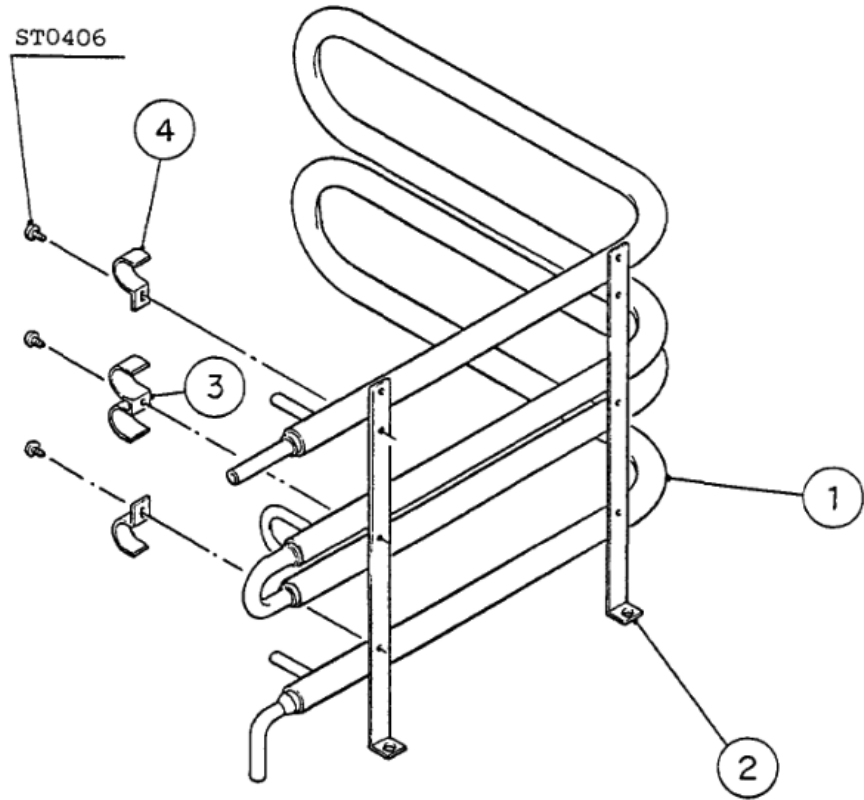
| MODEL F-1100MWA | | TITLE G. LABEL LOCATION | | | REQ'D NUMBER | | | | |
|--------------------|---|----------------------------|------------------------|--------------|--------------|-----|-----|-----|--|
| INDEX NO. | DESCRIPTION | MATERIAL OR MODEL NUMBER | PART NUMBER | REQ'D NUMBER | | | | | |
| | | | | K-1 | A-0 | B-0 | C-1 | C-2 | |
| 1 | Instruction Sheet - Inst. Ope. | Paper | 208144-01 | 1 | 1 | 1 | 1 | 1 | |
| 2 | Instruction Sheet - Bin Inst. | Paper | 208145-01 | 1 | 1 | 1 | 1 | 1 | |
| 3 | Emblem (L) - HOSHIZAKI | ABS | 418634G01 | 1 | 1 | 1 | 1 | 1 | |
| 4 | Label - Model Number | PETP Film | 435985-17 | 1 | 1 | 1 | 1 | 1 | |
| 5 | Label - Penguin | PETP Film | 410994-01 | 1 | 1 | 1 | 1 | 1 | |
| 6 | Label - Warning Caution Label (F) | PVC Film | 425323-01 439146-01 | x1 o1 | 1 | 1 | 1 | 1 | |
| 7 | Label - Operation, Spout Cont. Instruction Label | PETP Film | 425325-01 443470-01 | x1 o1 | 1 | 1 | 1 | 1 | |
| 8 | Label - Operation | PVC Film | 315758-01 | 1 | 1 | 1 | 1 | 1 | |
| 9 | Label - Cleaning | PVC Film | 214783-01 | 1 | 1 | 1 | 1 | 1 | |
| 10 | Nameplate | PES Film | 438061-01 | 1 | 1 | 1 | 1 | 1 | |
| 11 | Rating Label | PES Film | 438064-01 | 1 | 1 | 1 | 1 | 1 | |
| 12 | Label - Control | PETP Film | 438059-01 | 1 | 1 | 1 | 1 | 1 | |
| 13 | Label - Danger Caution Label (C) | PVC Film | 425322-01 439143-01 | x1 o1 | 1 | 1 | 1 | 1 | |
| 14 | Wiring Label | PVC Film | 324881-01 | 1 | 1 | 1 | 1 | 1 | |
| 15 | Label - Bin Thermostat | PETP Film | 435984-01 | 1 | 1 | 1 | 1 | 1 | |
| 16 | Label - Factory Adjusted | PETP Film | 419404-01 | 1 | 1 | 1 | 1 | 1 | |
| 17 | Label - R502 | PES Film | 4A0026-01 | 1 | 1 | 1 | 1 | 1 | |
| 18 | Warning Label | PVC Film | 435955-01 | 1 | 1 | 1 | 1 | 1 | |



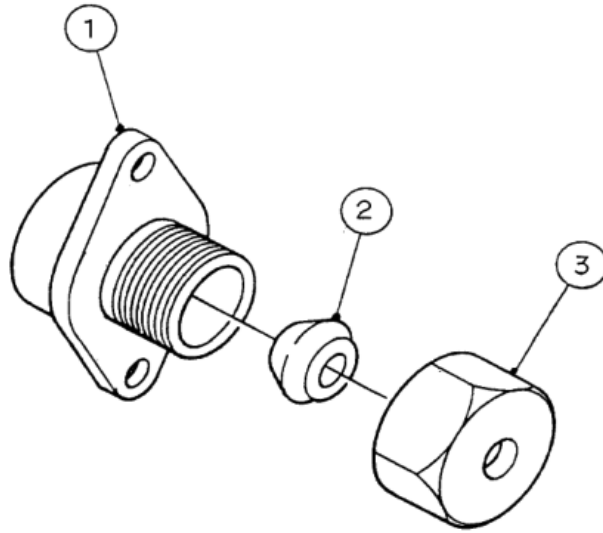
| MODEL | | TITLE | | | | | | |
|-----------|----------------------------|--------------------------|---------------------------|--------------|-----|-----|-----|-----|
| F-1100MWA | | H. SPOUT CONTROL ASSY | | | | | | |
| INDEX NO. | DESCRIPTION | MATERIAL OR MODEL NUMBER | PART NUMBER | REQ'D NUMBER | | | | |
| | | | | K-1 | A-0 | B-0 | C-1 | C-2 |
| 1 | Cover - Chute | ABS | 214796G01 | 1 | 1 | 1 | 1 | 1 |
| 2 | Spout Cover | S.S | 325070G01 | 1 | 1 | 1 | 1 | 1 |
| 3 | Proximity Switch | RS-601 | 427223-01 | 1 | 1 | 1 | 1 | 1 |
| 4 | Bracket - Proximity Switch | S.S | 324106-01 | 1 | 1 | 1 | 1 | 1 |
| 5 | Paddle | S.S | 323310G01 | 1 | 1 | 1 | 1 | 1 |
| 6 | Axle | S.S | 435873-01 | 1 | 1 | 1 | 1 | 1 |
| 7 | Snap Pin | S.S, SSP-4 | 715S-0004 | 2 | 2 | 2 | 2 | 2 |
| 8 | Thumbscrew | ABS, S.S | 415949G04 | 3 | 3 | 3 | 3 | 3 |
| 9 | Bushing | SR-5KN-4 | 420472-06 | 1 | 1 | 1 | 1 | 1 |



| MODEL | | TITLE | | | | | | |
|-----------|-------------|--------------------------|-------------|--------------|-----|-----|-----|-----|
| F-1100MWA | | J. FITTING (U) ASSY | | | | | | |
| INDEX NO. | DESCRIPTION | MATERIAL OR MODEL NUMBER | PART NUMBER | REQ'D NUMBER | | | | |
| | | | | K-1 | A-0 | B-0 | C-1 | C-2 |
| 1 | Fitting (M) | Brass Casting | 310980-01 | 1 | 1 | 1 | 1 | 1 |
| 2 | Nut (A) | Brass | 415713-01 | 1 | 1 | 1 | 1 | 1 |
| 3 | Packing (A) | Sy.R | 415715-01 | 1 | 1 | 1 | 1 | 1 |



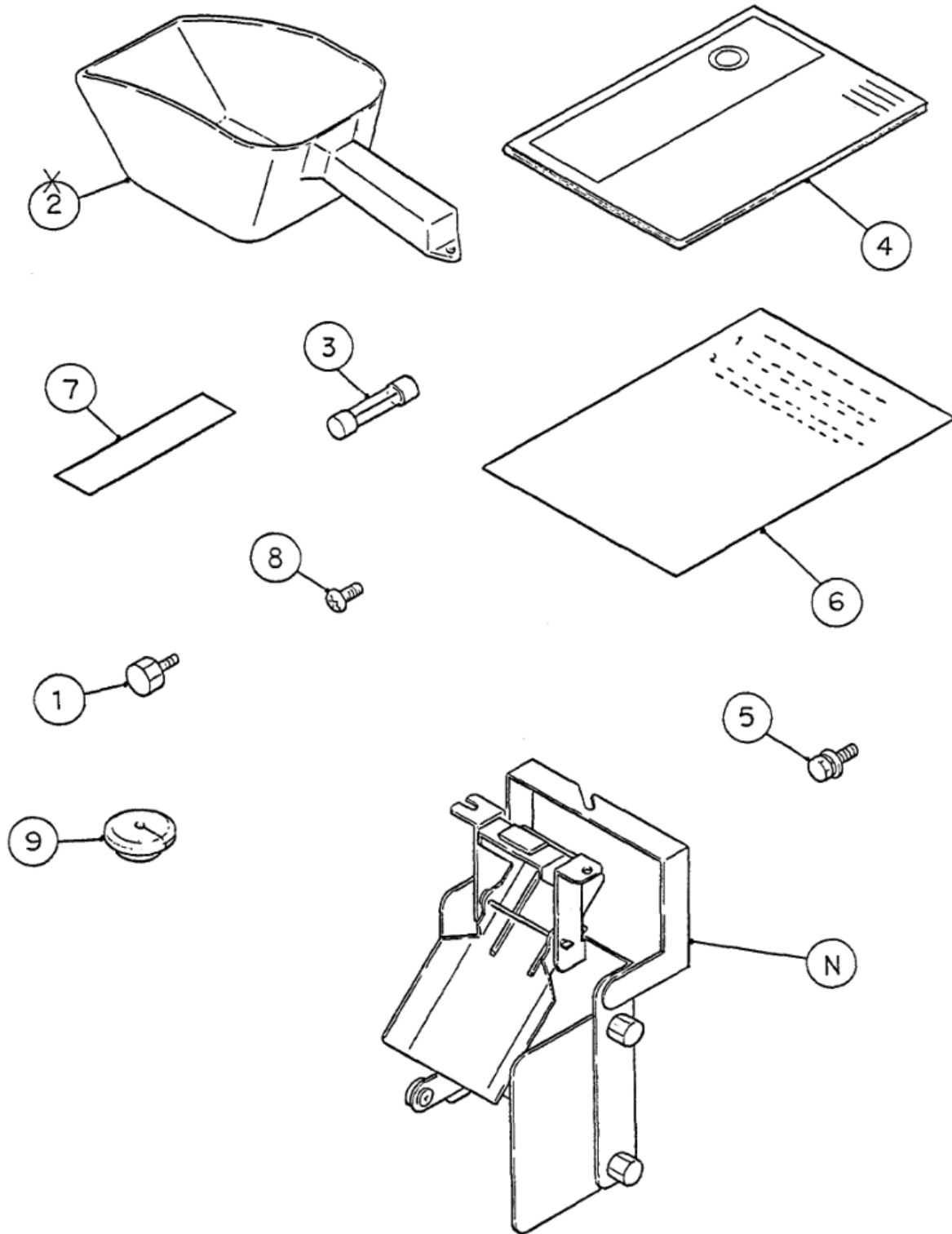
| MODEL F-1100MWA | | TITLE K. CONDENSER - WATER-COOLED | | | | | | |
|--------------------|--------------------------|--------------------------------------|----------------|--------------|-----|-----|-----|-----|
| INDEX NO. | DESCRIPTION | MATERIAL OR MODEL NUMBER | PART NUMBER | REQ'D NUMBER | | | | |
| | | | | K-1 | A-0 | B-0 | C-1 | C-2 |
| 1 | Condenser - Water-cooled | - | 214692G01 | 1 | 1 | 1 | 1 | 1 |
| 2 | Bracket - Condenser | G.S | 425573-01 | 2 | 2 | 2 | 2 | 2 |
| 3 | Strap - Condenser | G.S | 422985-01 | 2 | 2 | 2 | 2 | 2 |
| 4 | Strap - Condenser | G.S | 4H0622-01 | 4 | 4 | 4 | 4 | 4 |



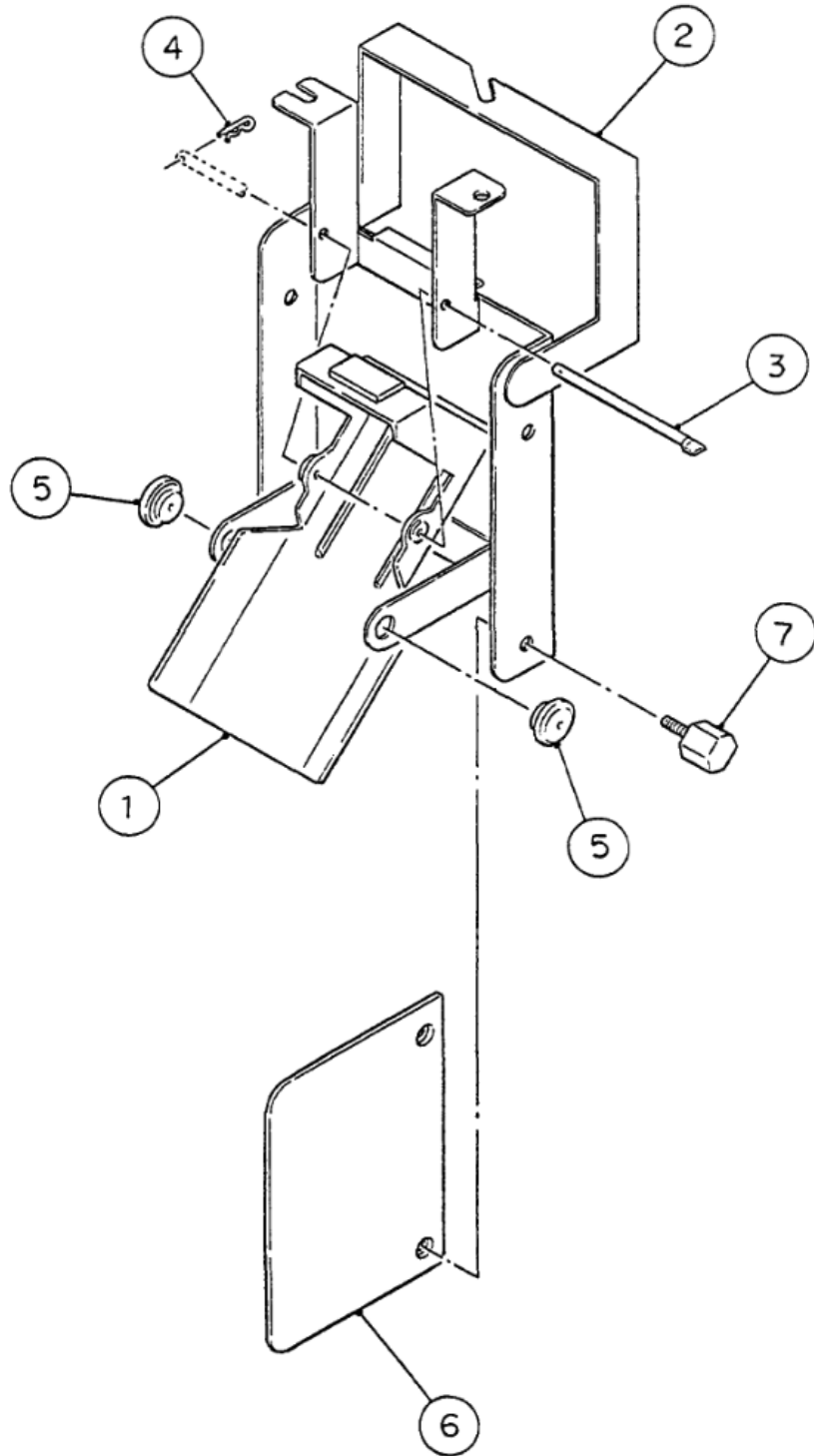
MODEL
F-1100MWA

TITLE
L. FITTING (K) ASSY

| INDEX NO. | DESCRIPTION | MATERIAL OR MODEL NUMBER | PART NUMBER | REQ'D NUMBER | | | | |
|-----------|-------------|--------------------------|-------------|--------------|-----|-----|-----|-----|
| | | | | K-1 | A-0 | B-0 | C-1 | C-2 |
| 1 | Fitting (K) | Brass Casting | 310978-01 | 1 | 1 | 1 | 1 | 1 |
| 2 | Packing (C) | Sy.R | 415715-02 | 1 | 1 | 1 | 1 | 1 |
| 3 | Nut (B) | Brass | 415713-02 | 1 | 1 | 1 | 1 | 1 |



| MODEL | | TITLE | | | | | | |
|-----------|---------------------------------|--------------------------|-------------|--------------|-----|-----|-----|-----|
| F-1100MWA | | M. ACCESSORIES | | | | | | |
| INDEX NO. | DESCRIPTION | MATERIAL OR MODEL NUMBER | PART NUMBER | REQ'D NUMBER | | | | |
| | | | | K-1 | A-0 | B-0 | C-1 | C-2 |
| N | BIN CONTROL ASSY | - | 325073A01 | 1 | 1 | 1 | 1 | 1 |
| 1 | Thumbscrew | S.S | 415949G04 | 3 | 3 | 3 | 3 | 3 |
| 2 | Scoop | S.S, SSP-4 | 208185-01 | 1 | 1 | 1 | x1 | |
| 3 | Fuse | S.S, ABS | 420468-03 | 1 | 1 | 1 | 1 | 1 |
| 4 | Instruction Manual | Paper | 91U2AF10A | 1 | 1 | 1 | 1 | 1 |
| 5 | Bolt and Washer Assy SW | S.S, M8x16 | - | 2 | 2 | 2 | 2 | 2 |
| 6 | Instruction Sheet – Bin Control | Paper | 32351-01B | 1 | 1 | 1 | 1 | 1 |
| 7 | Instruction Sheet - Fastener | Paper | 427122-01 | 1 | 1 | 1 | 1 | 1 |
| 8 | Truss Head Machine Screw | S.S, M4x30 | - | 2 | 2 | 2 | 2 | 2 |
| 9 | Bushing - Capillary Tube | EP Rubber | 425307-01 | 1 | 1 | 1 | 1 | 1 |



| MODEL | | TITLE | | | | | | |
|-----------|--------------------------|--------------------------|-------------|--------------|-----|-----|-----|-----|
| F-1100MWA | | N. BIN CONTROL ASSY | | | | | | |
| INDEX NO. | DESCRIPTION | MATERIAL OR MODEL NUMBER | PART NUMBER | REQ'D NUMBER | | | | |
| | | | | K-1 | A-0 | B-0 | C-1 | C-2 |
| 1 | Actuator - Switch | ABS, S.S | 209168G01 | 1 | 1 | 1 | 1 | 1 |
| 2 | Bin Control Bracket | S.S | 325072G01 | 1 | 1 | 1 | 1 | 1 |
| 3 | Shaft | S.S | 412337-03 | 1 | 1 | 1 | 1 | 1 |
| 4 | Snap Pin | S.S, SSP-4 | 715S-0004 | 1 | 1 | 1 | 1 | 1 |
| 5 | Bushing - Capillary Tube | PC | 425307-01 | 2 | 2 | 2 | 2 | 2 |
| 6 | Paddle Cover | ABS, S.S | 438297G01 | 1 | 1 | 1 | 1 | 1 |
| 7 | Thumbscrew | | 415949G01 | 2 | 2 | 2 | 2 | 2 |