



HOSHIZAKI

MODULAR FLAKER

MODEL

F-1101AU

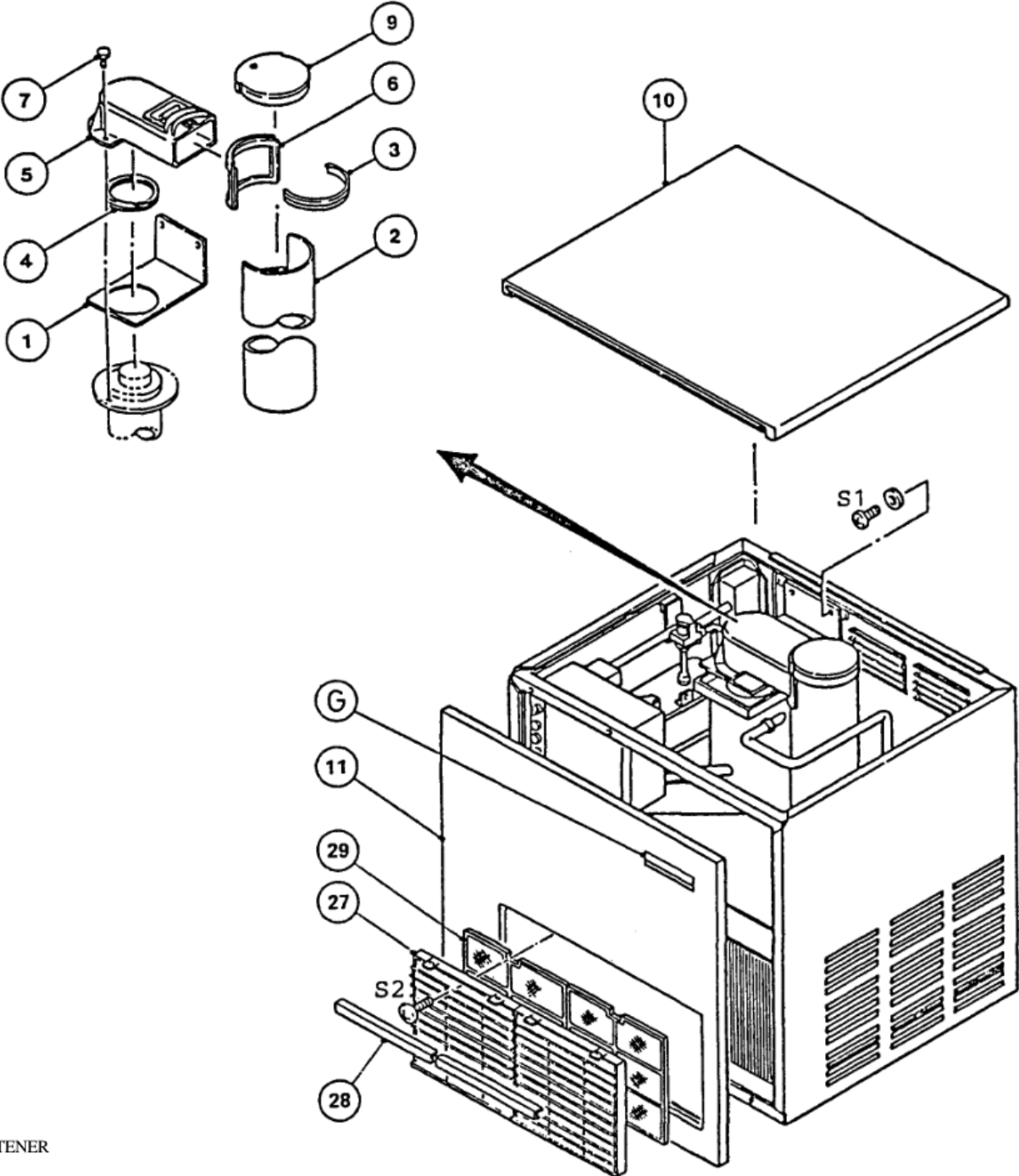
PARTS LIST

ISSUED: JUL. 1, 1985

REVISIED: APR. 19, 1989

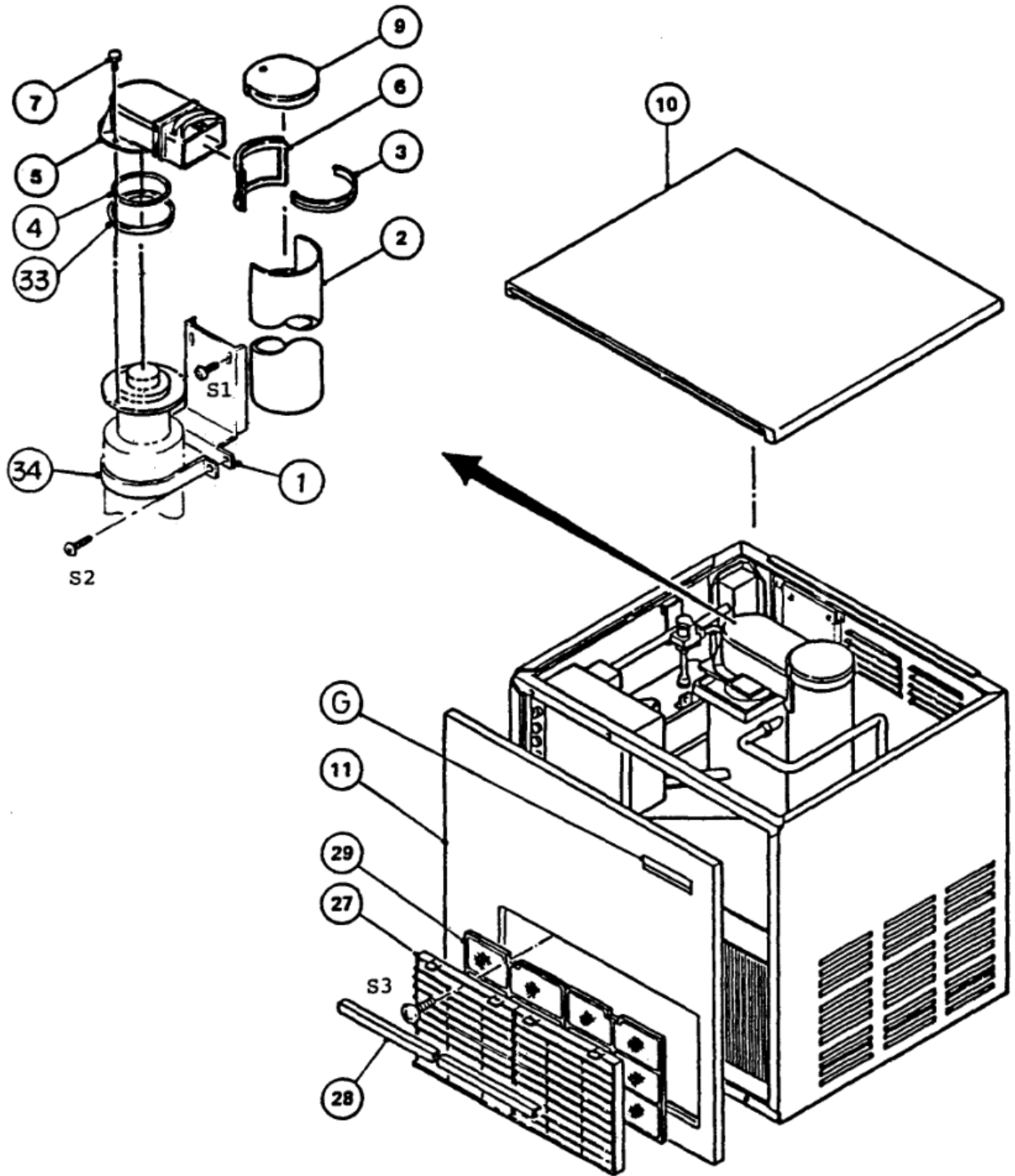
PRINTED: DEC. 10, 1994

ITEM NO: 71037



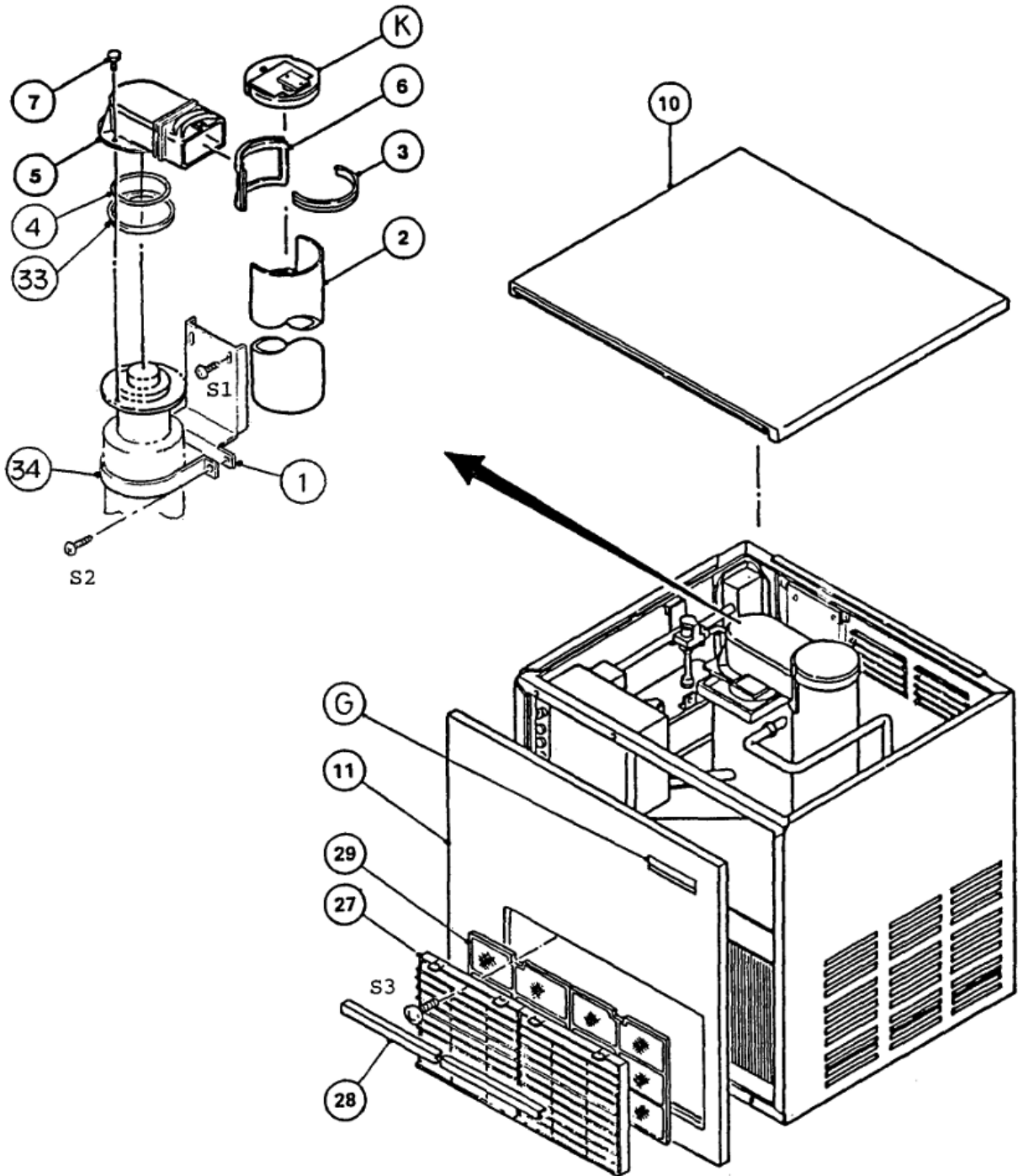
FASTENER

- S1 - TRUSS HEAD MACHINE SCREW, STAINLESS, M5x12
- S2 - TRUSS HEAD TAPPING SCREW, M4x8



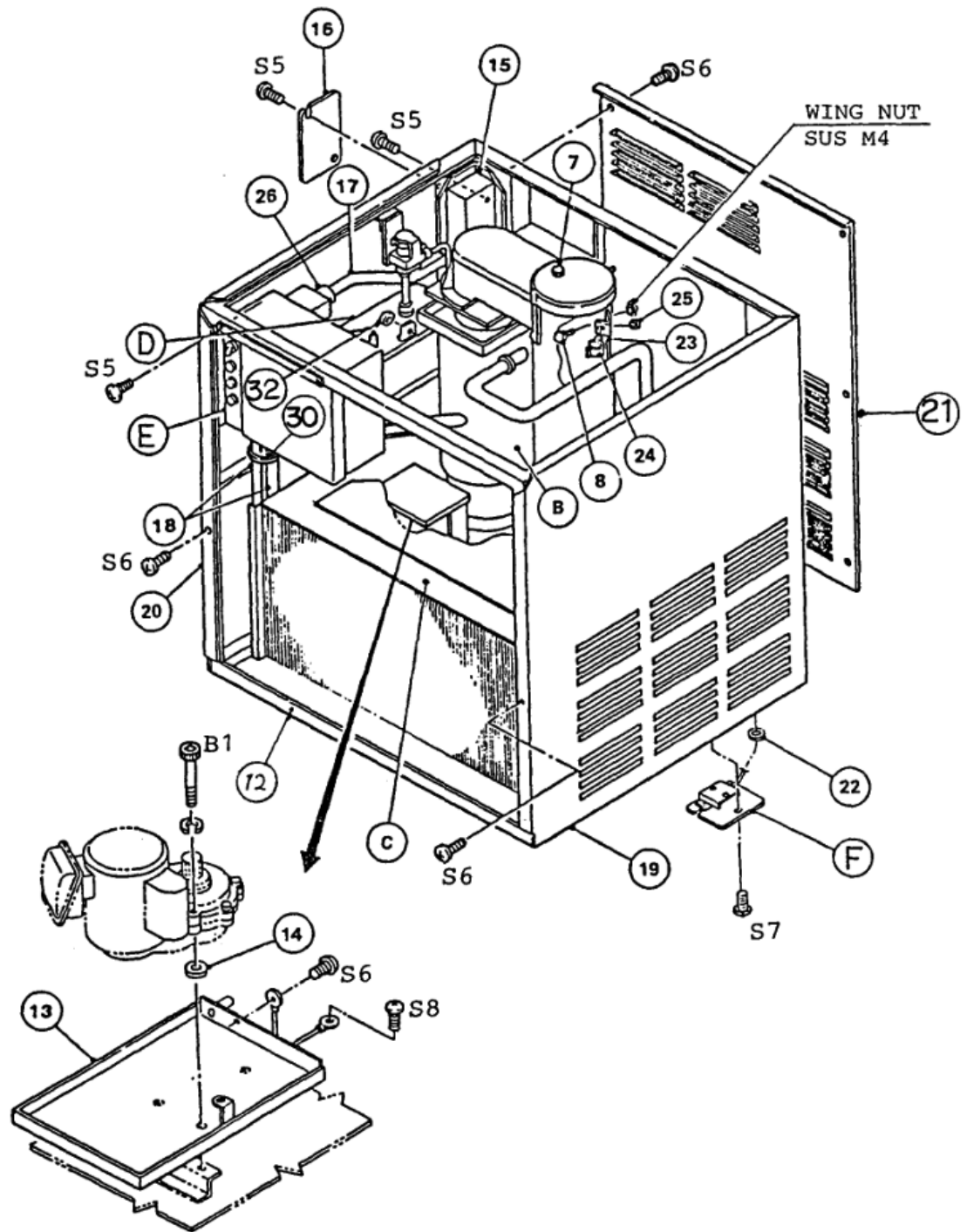
FASTENER

- S1 - TRUSS HEAD MACHINE SCREW. STAINLESS, M5x12
- S2 - TRUSS HEAD MACHINE SCREW, M4x8
- S3 - TRUSS HEAD TAPPING SCREW. M4x8

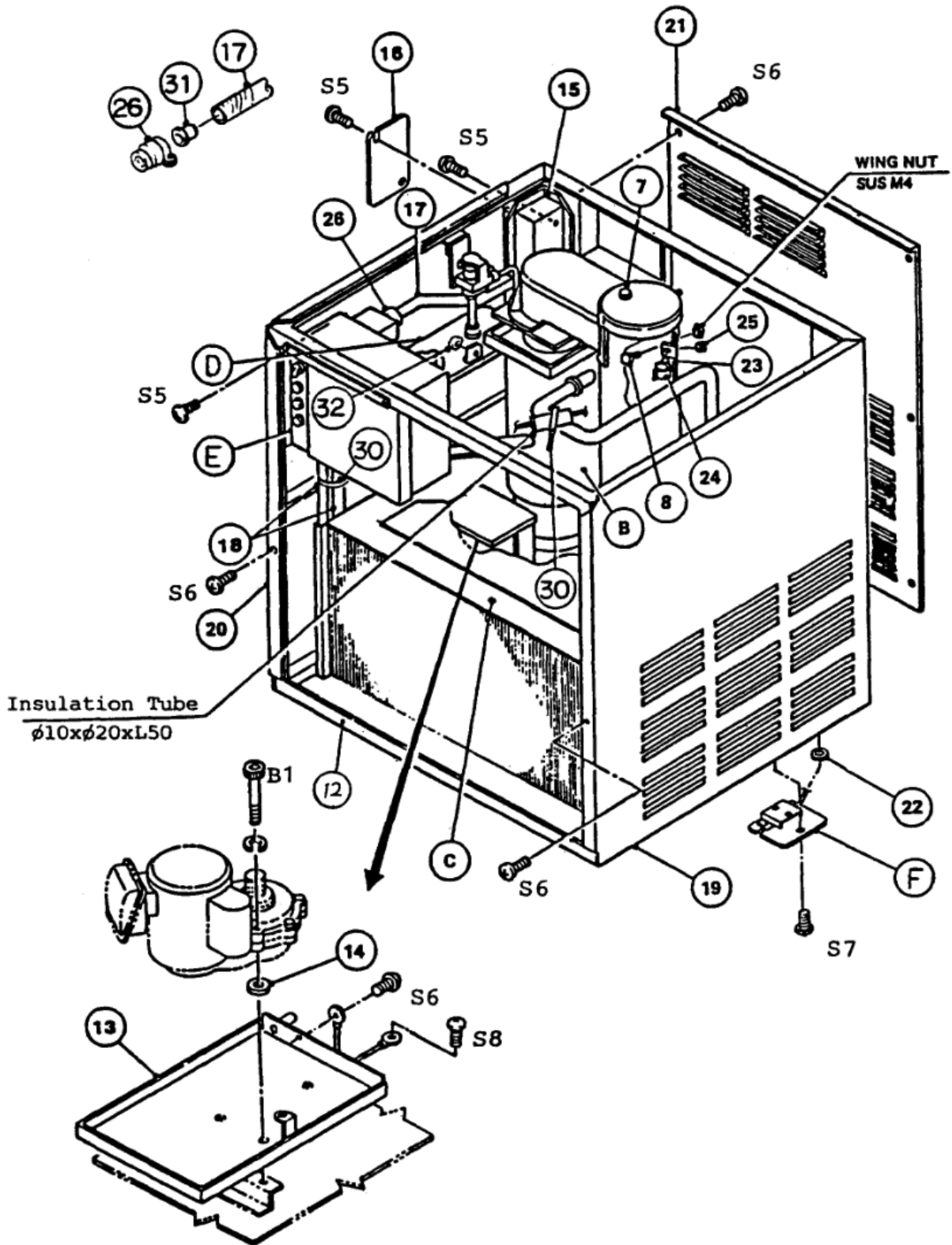


FASTENER

- S1 - TRUSS HEAD MACHINE SCREW, STAINLESS, M5x12
- S2 - TRUSS HEAD MACHINE SCREW, M4x8
- S3 - TRUSS HEAD TAPPING SCREW, M4x8

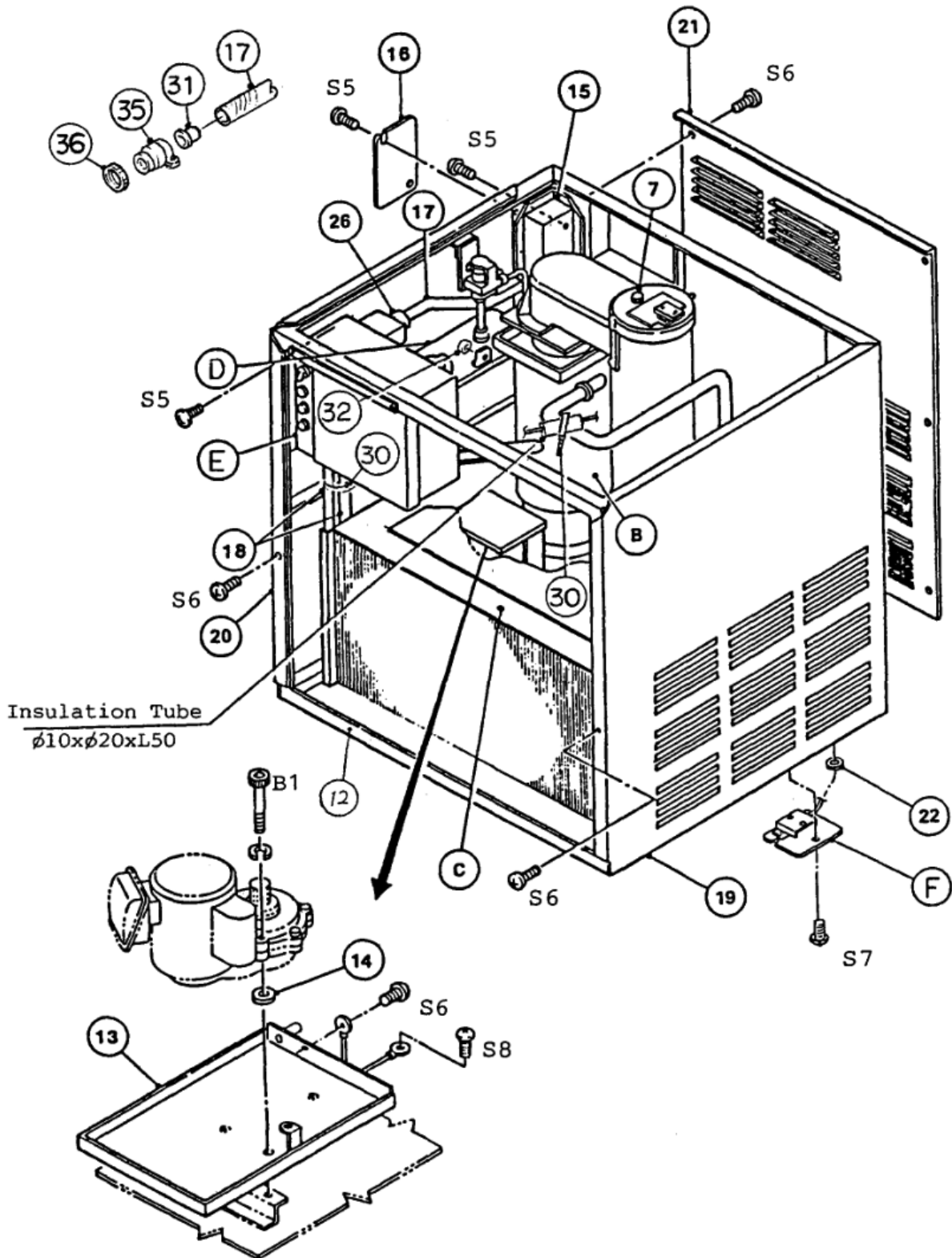


- S5 - TRUSS HEAD MACHINE SCREW, M4x8
 S6 - TRUSS HEAD MACHINE SCREW, STAINLESS, M4x6
 S7 - TRUSS HEAD MACHINE SCREW, STAINLESS, M4x8
 S8 - TRUSS HEAD MACHINE SCREW, M4x6
 B1 - HEXAGON SOCKET CAP BOLT, STAINLESS, M8x90



FASTENER

- S5 - TRUSS HEAD MACHINE SCREW, M4x8
- S6 - TRUSS HEAD MACHINE SCREW, STAINLESS. M4x6
- S7 - TRUSS HEAD MACHINE SCREW, STAINLESS, M4x8
- S8 - TRUSS HEAD MACHINE SCREW, M4x6
- B1 - HEXAGON SOCKET CAP BOLT, STAINLESS, M8x90



FAS

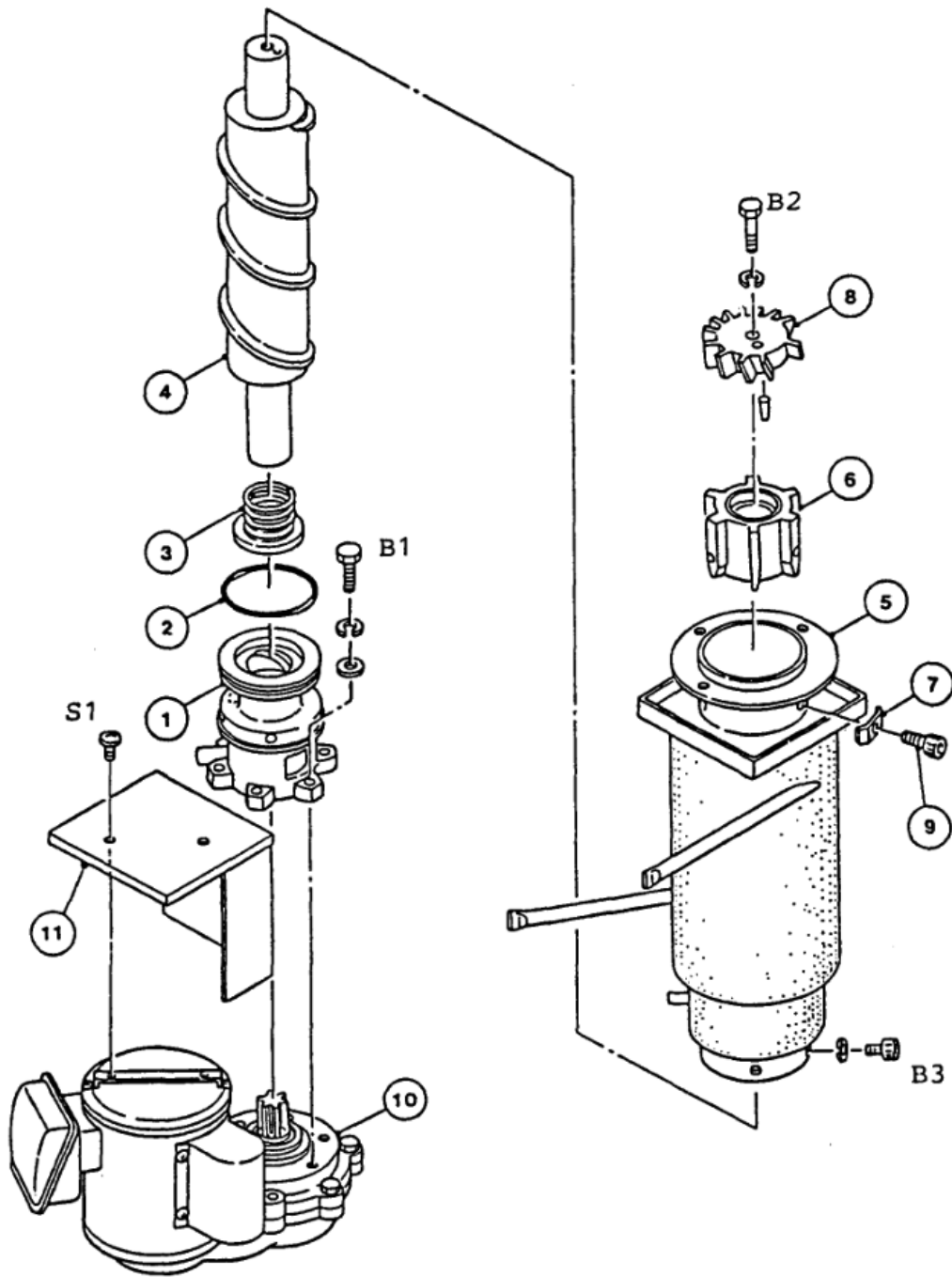
- S5 - TRUSS HEAD MACHINE SCREW, M4x8
- S6 - TRUSS HEAD MACHINE SCREW, STAINLESS, M4x6
- S7 - TRUSS HEAD MACHINE SCREW, STAINLESS, M4x8
- S8 - TRUSS HEAD MACHINE SCREW, M4x6
- B1 - HEXAGON SOCKET CAP BOLT, STAINLESS, M8x90

| MODEL F-1101AU | | TITLE A. GENERAL ASSEMBLY | | | | | | |
|-------------------|------------------------|------------------------------|-------------|--------------|-----|-----|-----|-----|
| INDEX NO. | DESCRIPTION | MATERIAL OR MODEL NUMBER | PART NUMBER | REQ'D NUMBER | | | | |
| | | | | E-1 | F-1 | F-2 | G-1 | G-2 |
| B | EVAPORATOR ASSEMBLY | - | 208112A04 | 1 | - | | | |
| | | | 319958A03 | | 1 | 1 | 1 | 1 |
| C | REFRIGERATION UNIT | - | 103069A02 | 1 | 1 | 1 | 1 | 1 |
| D | MATER CIRCUIT ASSEMBLY | - | 103078A02 | 1 | - | | | |
| | | | 103078A03 | | 1 | 1 | 1 | 1 |
| E | CONTROL BOX ASSEMBLY | - | 315764A03 | 1 | 1 | - | | |
| | | | 315764A04 | | | 1 | 1 | 1 |
| F | BIN SWITCH ASSEMBLY | - | 317649A01 | 1 | 1 | 1 | 1 | 1 |
| G | LABEL LOCATION | - | 315762A05 | 1 | 1 | 1 | 1 | - |
| | | | 315762A06 | | | | | 1 |
| 1 | Bracket - Evaporator | S.S | 425251-01 | 1 | 1 | 1 | | |
| | | G.S | 431735-01 | | | | 1 | 1 |
| 2 | Chute | PE | 318613-01 | 1 | 1 | 1 | - | |
| | | | 320555-01 | | | | 1 | 1 |
| 3 | Packing - Chute | EPDM | 425255-01 | 1 | 1 | 1 | 1 | 1 |
| 4 | Packing - Cylinder | EPDM | 427151-03 | 1 | 1 | 1 | - | |
| | "O" Ring | G95 | 7616-G095 | | | | 1 | 1 |
| 5 | Spout | ABS | 103382G01 | 1 | 1 | 1 | - | |
| | | PC | 103932G01 | | | | 1 | 1 |
| 6 | Packing - Spout | EPDM | 315722-01 | 1 | 1 | 1 | 1 | 1 |
| 7 | Thumbscrew | S.S, ABS | 415949G03 | 4 | 4 | 4 | 4 | 4 |
| 8 | Thumbscrew | S.S, ABS | 415949G04 | 2 | 2 | 2 | 2 | 2 |
| 9 | Cover - Chute | ABS | 209817G01 | 1 | 1 | 1 | 1 | 1 |
| 10 | Top Panel | S.S | 315750G01 | 1 | 1 | 1 | 1 | 1 |
| 11 | Front Panel | S.S | 317189-01 | 1 | 1 | 1 | - | |
| | | | 317189-02 | | | | 1 | 1 |
| 12 | Frame | G.S | 315778G04 | 1 | 1 | 1 | 1 | 1 |
| 13 | Drip Pan | S.S | 317168G01 | 1 | 1 | 1 | 1 | 1 |
| 14 | Washer | PVC | 422916-01 | 3 | 3 | 3 | 3 | 3 |
| 15 | Junction Box | No. 6001 | 421587-01 | 1 | 1 | 1 | 1 | 1 |
| 16 | Cover - Junction Box | G.S | 420594-01 | 1 | 1 | 1 | 1 | 1 |
| 17 | Conduit | - | 429313-02 | 1 | 1 | 1 | 1 | 1 |
| 18 | Conduit | - | 429313-01 | 2 | 2 | 2 | 2 | 2 |
| 19 | Side Panel (Right) | S.S | 318332G01 | 1 | 1 | 1 | 1 | 1 |

| MODEL F-1101AU | | TITLE A. GENERAL ASSEMBLY | | | REQ'D NUMBER | | | | |
|-------------------|------------------------|------------------------------|---------------------------|--------------|--------------|-----|--|--|--|
| INDEX NO. | DESCRIPTION | MATERIAL OR MODEL NUMBER | PART NUMBER | REQ'D NUMBER | | | | | |
| | | | | H-0 | J-1 | J-2 | | | |
| B | EVAPORATOR ASSEMBLY | - | 319958A03 | 1 | 1 | 1 | | | |
| C | REFRIGERATION UNIT | - | 103069A02 | 1 | 1 | - | | | |
| | | | 103069A03 | | | 1 | | | |
| D | MATER CIRCUIT ASSEMBLY | - | 103078A03 | 1 | 1 | 1 | | | |
| E | CONTROL BOX ASSEMBLY | - | 315764A04 | 1 | - | | | | |
| | | | 213117A02 | | 1 | 1 | | | |
| F | BIN SWITCH ASSEMBLY | - | 317649A01 | 1 | 1 | 1 | | | |
| G | LABEL LOCATION | - | 315762A06 | 1 | - | | | | |
| | | | 213149A02 | | 1 | 1 | | | |
| K | SPOUT CONTROL ASSEMBLY | - | 323313A01 | | 1 | 1 | | | |
| 1 | Bracket - Evaporator | G.S | 431735-01 | 1 | 1 | 1 | | | |
| 2 | Chute | PE | 320555-01 | 1 | - | | | | |
| | | | 315723-01 | | 1 | 1 | | | |
| 3 | Packing - Chute | EPDM | 425255-01 | 1 | 1 | 1 | | | |
| 4 | "O" Ring | G95 | 7616-G095 | 1 | 1 | 1 | | | |
| 5 | Spout | PC | 103932G01 | 1 | 1 | 1 | | | |
| 6 | Packing - Spout | EPDM | 315722-01 | 1 | 1 | 1 | | | |
| 7 | Thumbscrew | S.S, ABS | 415949G03 | 4 | 4 | 4 | | | |
| 8 | Thumbscrew | S.S, ABS | 415949G04 | 2 | - | | | | |
| 9 | Cover - Chute | ABS | 209817G01 | 1 | - | | | | |
| 10 | Top Panel | S.S | 315750G01 | 1 | 1 | 1 | | | |
| 11 | Front Panel | S.S | 317189-02 | 1 | 1 | 1 | | | |
| 12 | Frame | G.S | 315778G04 | 1 | - | | | | |
| | | | 315778G07 | | 1 | 1 | | | |
| 13 | Drip Pan | S.S | 317168G01 | 1 | 1 | 1 | | | |
| 14 | Washer | PVC | 422916-01 | 3 | 3 | 3 | | | |
| 15 | Junction Box | No. 6001 | 421587-01 | 1 | 1 | 1 | | | |
| 16 | Cover - Junction Box | G.S | 420594-01 | 1 | 1 | 1 | | | |
| 17 | Conduit | - | 429313-02 | 1 | 1 | 1 | | | |
| 18 | Conduit | - | 429313-01 | 2 | 2 | 2 | | | |
| 19 | Side Panel (Right) | S.S | 318332G01 | 1 | 1 | 1 | | | |

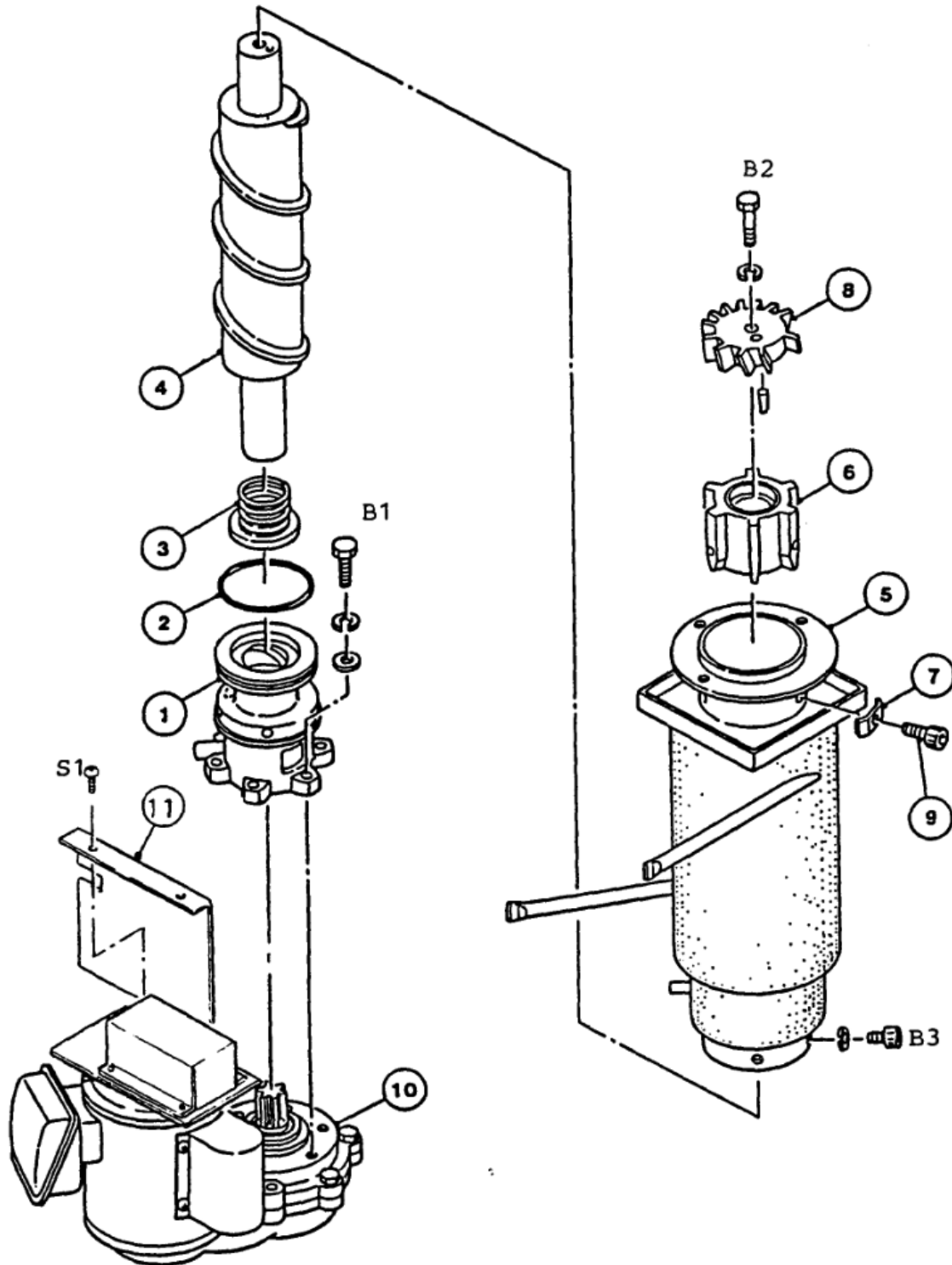
| MODEL F-1101AU | | TITLE A. GENERAL ASSEMBLY | | | | | | |
|-------------------|---------------------------|------------------------------|---------------------------|--------------|-----|-----|-----|-----|
| INDEX NO. | DESCRIPTION | MATERIAL OR MODEL NUMBER | PART NUMBER | REQ'D NUMBER | | | | |
| | | | | E-1 | F-1 | F-2 | G-1 | G-2 |
| 20 | Side Panel (Left) | S.S | 315748G02 | 1 | 1 | 1 | 1 | 1 |
| 21 | Rear Panel | S.S | 318331G01 | 1 | 1 | 1 | 1 | 1 |
| 22 | Bushing | SB-437-5 | 420470-07 | 1 | 1 | 1 | 1 | 1 |
| 23 | Bracket - Thermostat | S.S | 318612-01 | 1 | 1 | 1 | 1 | 1 |
| 24 | Clip | PA No. 96 | 429285-01 | 2 | 2 | 2 | 2 | 2 |
| 25 | Bushing - Capillary Tube | EPDM | 425307-01 | 1 | 1 | 1 | 1 | 1 |
| 26 | Fitting - Conduit Stright | No. 13-16 | 425316-01 | 6 | 6 | 6 | 6 | 6 |
| 27 | Louver (B) | ABS | 103121-01 | 2 | 2 | 2 | 2 | 2 |
| 28 | Cover - Louver (B) | ABS | 316079-01 | 2 | 2 | 2 | 2 | 2 |
| 29 | Air Filter (B) | ABS | 208283G01 | 2 | 2 | 2 | 2 | 2 |
| 30 | Tie | CV-150 | 7920-0003 | 1 | 1 | 1 | 1 | 1 |
| 31 | Collar | Steel | 430335-01 | | 6 | 6 | 6 | 6 |
| 32 | Bushing | SR-30-1 | 420472-03 | 1 | 1 | 1 | 1 | 1 |
| 33 | Ring | PA | 431736-01 | | | | 1 | 1 |
| 34 | Strap | G.S | 431737-01 | | | | 1 | 1 |

| MODEL F-1101AU | | TITLE A. GENERAL ASSEMBLY | | | | | | |
|-------------------|---------------------------|------------------------------|---------------------------|--------------|-----|--|--|--|
| INDEX NO. | DESCRIPTION | MATERIAL OR MODEL NUMBER | PART NUMBER | REQ'D NUMBER | | | | |
| | | | | H-0 | J-1 | | | |
| 20 | Side Panel (Left) | S.S | 315748G02 | 1 | 1 | | | |
| 21 | Rear Panel | S.S | 318331G01 | 1 | 1 | | | |
| 22 | Bushing | SB-437-5 | 420470-07 | 1 | 1 | | | |
| 23 | Bracket - Thermostat | S.S | 318612-01 | 1 | - | | | |
| 24 | Clip | PA No. 96 | 429285-01 | 2 | - | | | |
| 25 | Bushing - Capillary Tube | EPDM | 425307-01 | 1 | - | | | |
| 26 | Pitting - Conduit Stright | No.13-16 | 425316-01 | 6 | - | | | |
| 27 | Louver (B) | ABS | 103121-01 | 2 | 2 | | | |
| 28 | Cover - Louver (B) | ABS | 316079-01 | 2 | 2 | | | |
| 29 | Air Filter (B) | ABS | 208283G01 | 2 | 2 | | | |
| 30 | Tie | CV-150 | 7920-0003 | 2 | 2 | | | |
| 31 | Collar | Steel | 430335-01 | 6 | 6 | | | |
| 32 | Bushing | SR-30-1 | 420472-03 | 1 | 1 | | | |
| 33 | Ring | PA | 431736-01 | 1 | 1 | | | |
| 34 | Strap | G.S | 431737-01 | 1 | 1 | | | |
| 35 | Fitting - Conduit | NS-1621 | 435753-01 | | 6 | | | |
| 36 | Nut | t3.6 | 435753F01 | | 6 | | | |



FASTENER

- S1 - TRUSS HEAD MACHINE SCREW, M4x8
- B1 - HEXAGON HEAD BOLT, STAINLESS, M8x30
- B2 - HEXAGON HEAD BOLT, STAINLESS, M1 0x 30
- B3 - HEXAGON SOCKET CAP BOLT, STAINLESS, M10x20

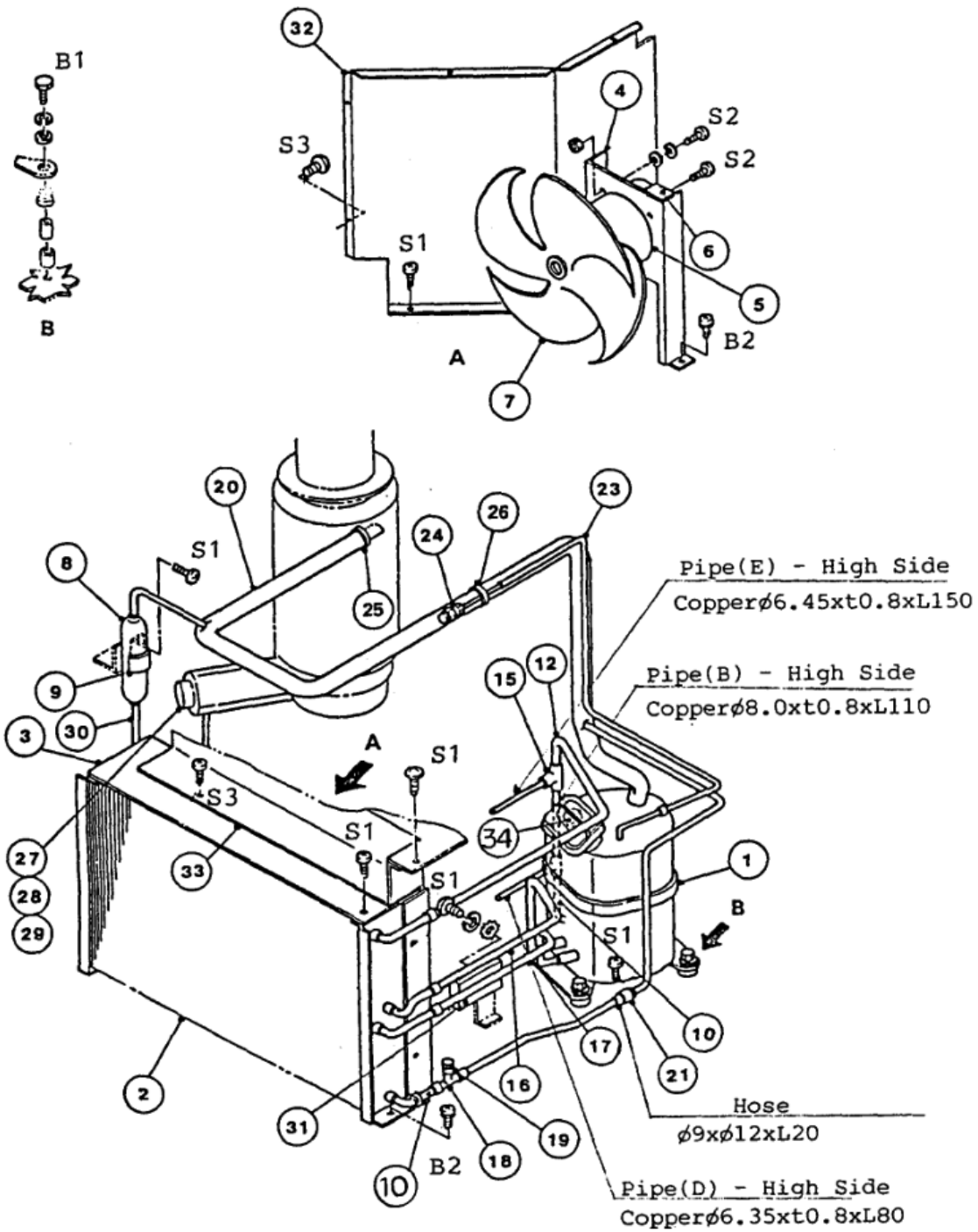


FASTENER

- S1 - TRUSS HEAD MACHINE SCREW. M4x8
- B1 - HEXAGON HEAD BOLT, STAINLESS. M8x30
- B2 - HEXAGON HEAD BOLT, STAINLESS, M10x40
- B3 - HEXAGON SOCKET CAP BOLT, STAINLESS, M10x20

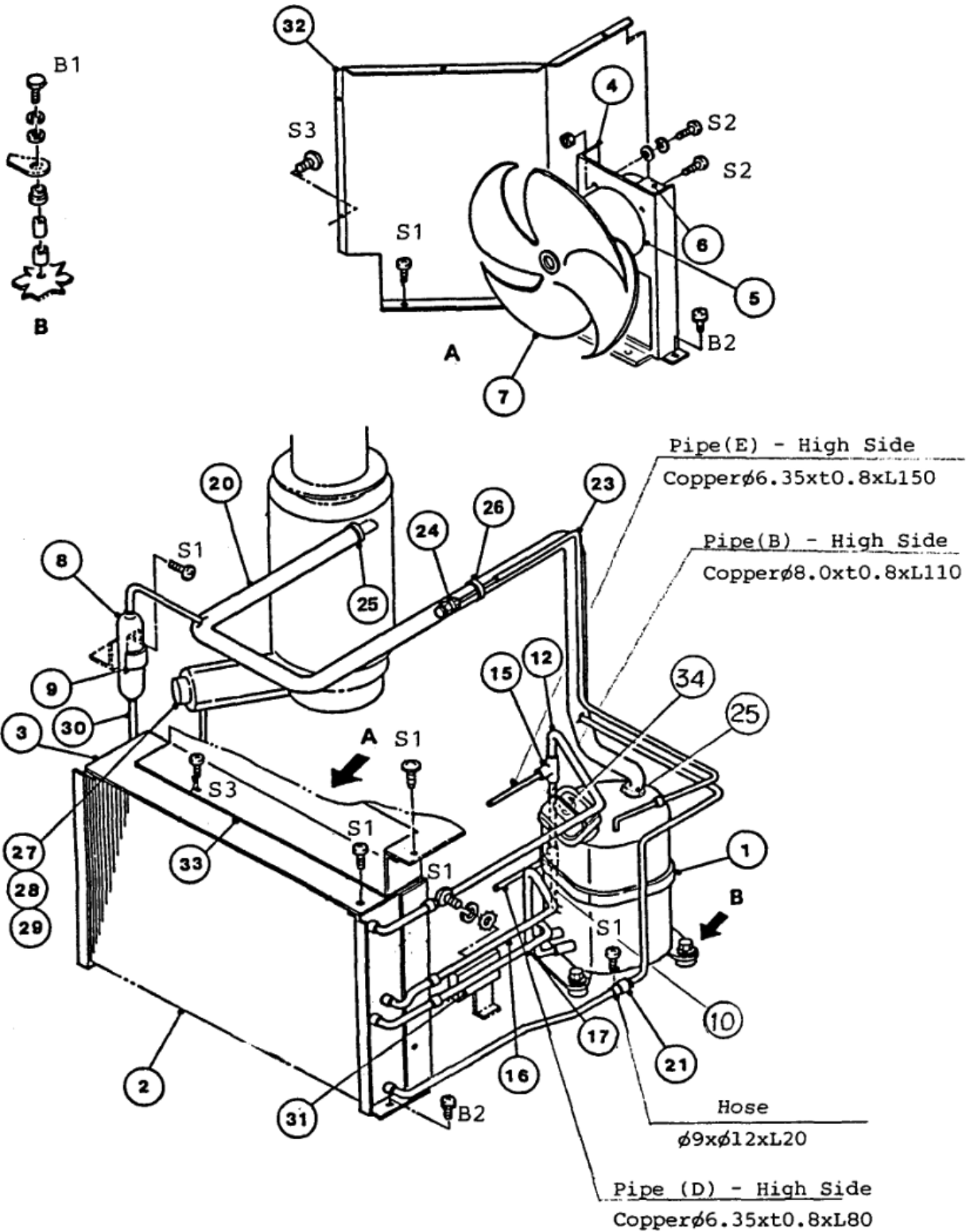
| MODEL F-1101AU | | TITLE B. EVAPORATOR ASSEMBLY | | | REQ'D NUMBER | | | | |
|-------------------|-----------------------|---------------------------------|---------------------------|--------------|--------------|-----|-----|-----|--|
| INDEX NO. | DESCRIPTION | MATERIAL OR MODEL NUMBER | PART NUMBER | REQ'D NUMBER | | | | | |
| | | | | E-1 | F-1 | F-2 | G-1 | G-2 | |
| 1 | Bearing (Lower) | - | 315732G02 | 1 | 1 | 1 | 1 | 1 | |
| 2 | "O" Ring | G90 | 7616-G090 | 1 | 1 | 1 | 1 | 1 | |
| 3 | Mechanical Seal | HG9A-MN | 420692-01 | 1 | 1 | 1 | 1 | - | |
| | | HK9A-MN | 432493-01 | | | | | 1 | |
| 4 | Auger | S.S | 209744G01 | 1 | 1 | 1 | - | | |
| | | | 211062G01 | | | | 1 | 1 | |
| 5 | Evaporator | - | 425273G04 | 1 | 1 | 1 | 1 | 1 | |
| 6 | Extruding Head | S.S | 208117G02 | 1 | 1 | 1 | 1 | 1 | |
| 7 | Hasher | S.S | 425277-01 | 3 | 3 | 3 | 3 | 3 | |
| 8 | Cutter | S.S | 315734-01 | 1 | 1 | 1 | 1 | 1 | |
| 9 | Socket Head Cap Screw | S.S, M10 | 429121-02 | 3 | 3 | 3 | 3 | 3 | |
| 10 | Gear Motor | MGZ2200UL-160 | 2U0044-01 | 1 | - | | | | |
| | | | 432068-01 | | 1 | 1 | 1 | 1 | |
| 11 | Cover - Gear Motor | G.S | 315841G01 | 1 | - | | | | |
| | | | 431532-01 | | 1 | 1 | 1 | 1 | |

| MODEL | | TITLE | | | | | | |
|-----------|-----------------------|--------------------------|-------------|--------------|-----|--|--|--|
| F-1101AU | | B. EVAPORATOR ASSEMBLY | | | | | | |
| INDEX NO. | DESCRIPTION | MATERIAL OR MODEL NUMBER | PART NUMBER | REQ'D NUMBER | | | | |
| | | | | H-0 | J-1 | | | |
| 1 | Bearing (Lower) | - | 315732G02 | 1 | 1 | | | |
| 2 | "O" Ring | G90 | 7616-G090 | 1 | 1 | | | |
| 3 | Mechanical Seal | HK9A-MN | 432493-01 | 1 | 1 | | | |
| 4 | Auger | S.S | 211062G01 | 1 | 1 | | | |
| 5 | Evaporator | - | 425273G04 | 1 | 1 | | | |
| 6 | Extruding Head | S.S | 208117G02 | 1 | 1 | | | |
| 7 | Washer | S.S | 425277-01 | 3 | 3 | | | |
| 8 | Cutter | S.S | 315734-01 | 1 | 1 | | | |
| 9 | Socket Head Cap Screw | S.S, M10 | 429121-02 | 3 | 3 | | | |
| 10 | Gear Motor | MGZ2200UL-160 | 432068-01 | 1 | 1 | | | |
| 11 | Cover - Gear Motor | G.S | 431532-01 | 1 | 1 | | | |



FASTENER

- S1 - TRUSS HEAD MACHINE SCREW, M4x8
- S2 - TRUSS HEAD MACHINE SCREW, M4x12
- S3 - TRUSS HEAD TAPPING SCREW, M4x8
- B1 - HEXAGON HEAD BOLT, M8x45
- B2 - HEXAGON BOLT AND SPRING WASHER + PLAIN WASHER ASSY, M5x12



FASTENER

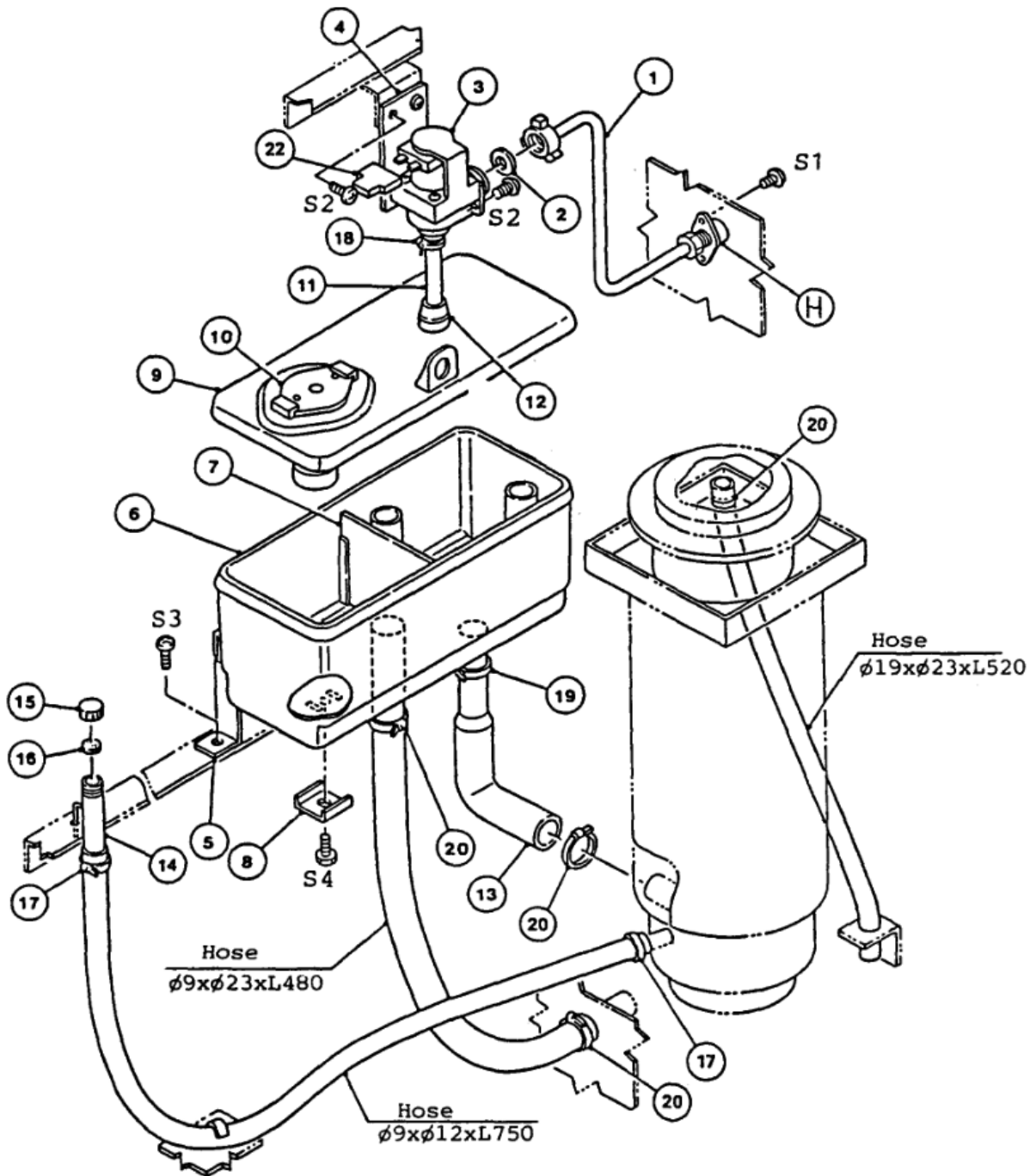
- S1 - TRUSS HEAD MACHINE SCREW, M4x8
- S2 - TRUSS HEAD MACHINE SCREW, M4x12
- S3 - TRUSS HEAD TAPPING SCREW, M4x8
- B1 - HEXAGON HEAD BOLT, M8x45
- B2 - HEXAGON BOLT AND SPRING WASHER + PLAIN WASHER ASSY, M5x12

| MODEL F-1101AU | | TITLE C. REFRIGERATION UNIT | | | REQ'D NUMBER | | | | |
|-------------------|-----------------------------|--------------------------------|---------------------------|-----|--------------|-----------|---------------------------|-----|---|
| INDEX NO. | DESCRIPTION | MATERIAL OR MODEL NUMBER | PART NUMBER | E-1 | F-1 | F-2 | G-1 | G-2 | |
| | | | | 1 | Compressor | KL100TD-3 | 2U0043-01 | 1 | 1 |
| 2 | Condenser - Air-cooled | - | 2U0074-01 | 1 | 1 | 1 | 1 | 1 | |
| 3 | Shroud | G.S | 209568-01 | 1 | 1 | 1 | 1 | 1 | |
| 4 | Bracket - Fan Motor | G.S | 315737-01 | 1 | 1 | 1 | - | - | |
| | | | 320478-01 | | | | 1 | 1 | |
| 5 | Pan Motor | IJ30067 | 2U0048-01 | 1 | 1 | 1 | 1 | 1 | |
| 6 | Capacitor - Fan Motor | 440VAC, 1.5 μ F | 425309-01 | 1 | 1 | 1 | 1 | 1 | |
| 7 | Fan Blade | Aluminum | 425313-01 | 1 | 1 | 1 | 1 | 1 | |
| 8 | Drier | DYN-2-HD-1 | 418498-01 | 1 | 1 | 1 | 1 | 1 | |
| 9 | Strap | G.S | 425280-01 | 1 | 1 | 1 | 1 | 1 | |
| 10 | Pipe (A) - High Side | Copper | 425281-01 | 2 | 1 | 1 | 1 | 1 | |
| 11 | - | - | - | - | - | - | - | - | |
| 12 | Pipe (C) - High Side | Copper | 425282-01 | 1 | 1 | 1 | 1 | 1 | |
| 13 | - | - | - | - | - | - | - | - | |
| 14 | - | - | - | - | - | - | - | - | |
| 15 | Tee | Copper | 420041-02 | 2 | 2 | 2 | 2 | 2 | |
| 16 | Pipe - Oil Cooler | Copper | 425283-03 | 1 | 1 | 1 | 1 | 1 | |
| 17 | Pipe - Oil Cooler | Copper | 425283-04 | 1 | 1 | 1 | 1 | 1 | |
| 18 | Tee - Fusible Plug | YWP-251-HD | 421832-01 | 1 | - | - | - | - | |
| 19 | Fusible Plug | FUP-1105H12 | 4U0010-01 | 1 | - | - | - | - | |
| 20 | Pipe - Low Side | Copper | 315738G01 | 1 | 1 | 1 | 1 | 1 | |
| 21 | Strap | G.S | 416877-01 | 1 | 1 | 1 | 1 | 1 | |
| 22 | - | - | - | - | - | - | - | - | |
| 23 | Process Tube | Copper | 425284-01 | 1 | 1 | 1 | 1 | 1 | |
| 24 | Access Valve | TCJ-2F15-HD | 417366-01 | 1 | 1 | 1 | 1 | 1 | |
| 25 | Tie | CV-100 | 7920-0002 | 2 | 2 | 2 | 2 | 2 | |
| 26 | Tie | CV-150 | 7920-0003 | 1 | 1 | 1 | 1 | 1 | |
| 27 | Expansion Valve | HYP2-5HD4 | 411518-04 | 1 | 1 | 1 | 1 | 1 | |
| 28 | Cover (A) - Expansion Valve | PE Foam | 315741-01 | 1 | 1 | 1 | 1 | 1 | |
| 29 | Cover (B) - Expansion Valve | PE Foam | 315741-02 | 1 | 1 | 1 | 1 | 1 | |
| 30 | Pipe (G) - High Side | Copper | 425286-01 | 1 | 1 | 1 | 1 | 1 | |
| 31 | Pressure Switch | SNS-2C130YB3 | 425679-01 | 1 | 1 | 1 | 1 | 1 | |

| MODEL F-1101AU | | TITLE C. REFRIGERATION UNIT | | | | | | |
|-------------------|-----------------------------|--------------------------------|-------------|--------------|-----|-----|--|--|
| INDEX NO. | DESCRIPTION | MATERIAL OR MODEL NUMBER | PART NUMBER | REQ'D NUMBER | | | | |
| | | | | H-0 | J-1 | J-2 | | |
| 1 | Compressor | KL100TD-3 | 2U0043-01 | 1 | 1 | 1 | | |
| 2 | Condenser - Air-cooled | - | 21)0074-01 | 1 | 1 | 1 | | |
| 3 | Shroud | G.S | 209568-01 | 1 | 1 | 1 | | |
| 4 | Bracket - Fan Motor | G.S | 320478-01 | 1 | 1 | 1 | | |
| 5 | Fan Motor | IJ30067 | 2U0048-01 | 1 | 1 | 1 | | |
| 6 | Capacitor - Fan Motor | 440VAC, 1.5 μ F | 425309-01 | 1 | 1 | 1 | | |
| 7 | Fan Blade | Aluminum | 425313-01 | 1 | 1 | 1 | | |
| 8 | Drier | DYN-2-HD-1 | 418498-01 | 1 | 1 | - | | |
| | | KC-6749 | 427061-01 | | | 1 | | |
| 9 | Strap | G.S | 425280-01 | 1 | 1 | - | | |
| | | | 425280-02 | | | 1 | | |
| 10 | Pipe (A) - High Side | Copper | 425281-01 | 2 | 2 | 2 | | |
| 11 | - | - | - | - | | | | |
| 12 | Pipe (C) - High Side | Copper | 425282-01 | 1 | 1 | 1 | | |
| 13 | - | - | - | - | | | | |
| 14 | - | - | - | - | | | | |
| 15 | Tee | Copper | 420041-02 | 2 | 2 | 2 | | |
| 16 | Pipe - Oil Cooler | Copper | 425283-03 | 1 | 1 | 1 | | |
| 17 | Pipe - Oil Cooler | Copper | 425283-04 | 1 | 1 | 1 | | |
| 18 | - | - | - | - | | | | |
| 19 | - | - | - | - | | | | |
| 20 | Pipe - Low Side | Copper | 315738G01 | 1 | 1 | 1 | | |
| 21 | Strap | G.S | 416877-01 | 1 | 1 | 1 | | |
| 22 | - | - | - | - | | | | |
| 23 | Process Tube | Copper | 425284-01 | 1 | 1 | 1 | | |
| 24 | Access Valve | TCJ-2F15-HD | 417366-01 | 1 | 1 | 1 | | |
| 25 | Tie | CV-100 | 7920-0002 | 2 | 2 | 2 | | |
| 26 | Tie | CV-150 | 7920-0003 | 1 | 1 | 1 | | |
| 27 | Expansion Valve | HYP2-5HD4 | 411518-04 | X | | | | |
| | | HYP2-5HD9 | 411518-07 | 1 | 1 | 1 | | |
| 28 | Cover (A) - Expansion Valve | PE Foam | 315741-01 | 1 | 1 | 1 | | |
| 29 | Cover (B) - Expansion Valve | PE Foam | 315741-02 | 1 | 1 | 1 | | |
| 30 | Pipe (G) - High Side | Copper | 425286-01 | 1 | 1 | - | | |
| | Pipe (J) - High Side | Copper | 425286-02 | | | 1 | | |
| 31 | Pressure Switch | SNS-2C130YQ3 | 425679-01 | 1 | 1 | 1 | | |

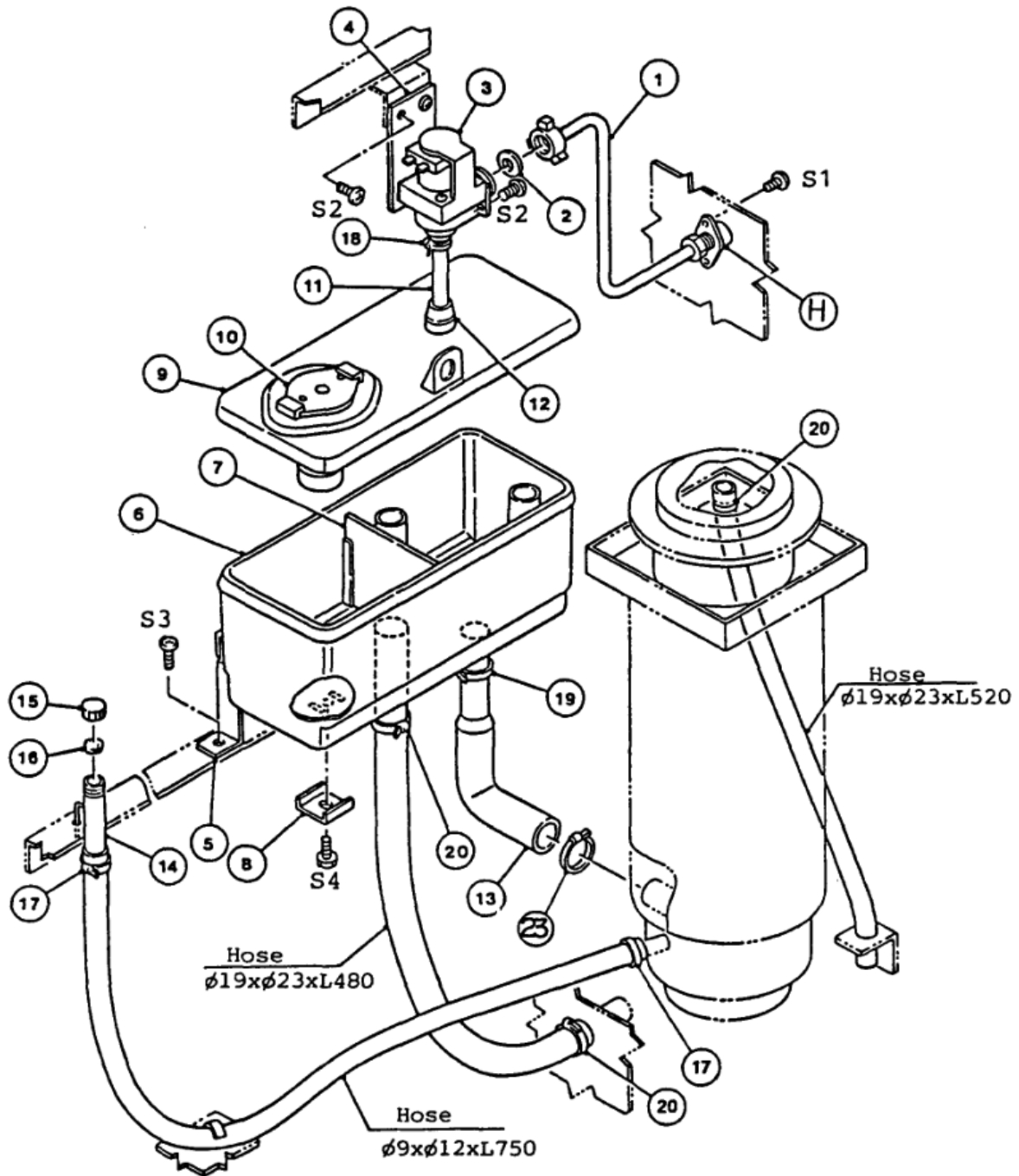
| MODEL F-1101AU | | TITLE C. REFRIGERATION UNIT | | | | | | |
|-------------------|---------------|--------------------------------|----------------|--------------|-----|-----|-----|-----|
| INDEX NO. | DESCRIPTION | MATERIAL OR MODEL NUMBER | PART NUMBER | REQ'D NUMBER | | | | |
| | | | | E-1 | F-1 | F-2 | G-1 | G-2 |
| 32 | Partition (A) | G.S | 318284-01 | 1 | 1 | 1 | 1 | 1 |
| 33 | Partition (B) | G.S | 428807G01 | 1 | 1 | 1 | 1 | 1 |
| 34 | Overload | MSH16AIU | 429382-01 | | 1 | 1 | 1 | 1 |

| MODEL F-1101AU | | TITLE C. REFRIGERATION UNIT | | | | | | |
|-------------------|---------------|--------------------------------|-------------|--------------|-----|--|--|--|
| INDEX NO. | DESCRIPTION | MATERIAL OR MODEL NUMBER | PART NUMBER | REQ'D NUMBER | | | | |
| | | | | H-0 | J-1 | | | |
| 32 | Partition (A) | G.S | 318284-01 | 1 | 1 | | | |
| 33 | Partition (B) | G.S | 428807G01 | 1 | 1 | | | |
| 34 | Overload | MSH16AIU | 429382-01 | 1 | 1 | | | |



FASTENER

- S1 - TRUSS HEAD MACHINE SCREW, STAINLESS, M4x8
- S2 - TRUSS HEAD MACHINE SCREW, M4x8
- S3 - TRUSS HEAD MACHINE SCREW, STAINLESS, M5x12
- S4 - THUMBSCREW, M4x6

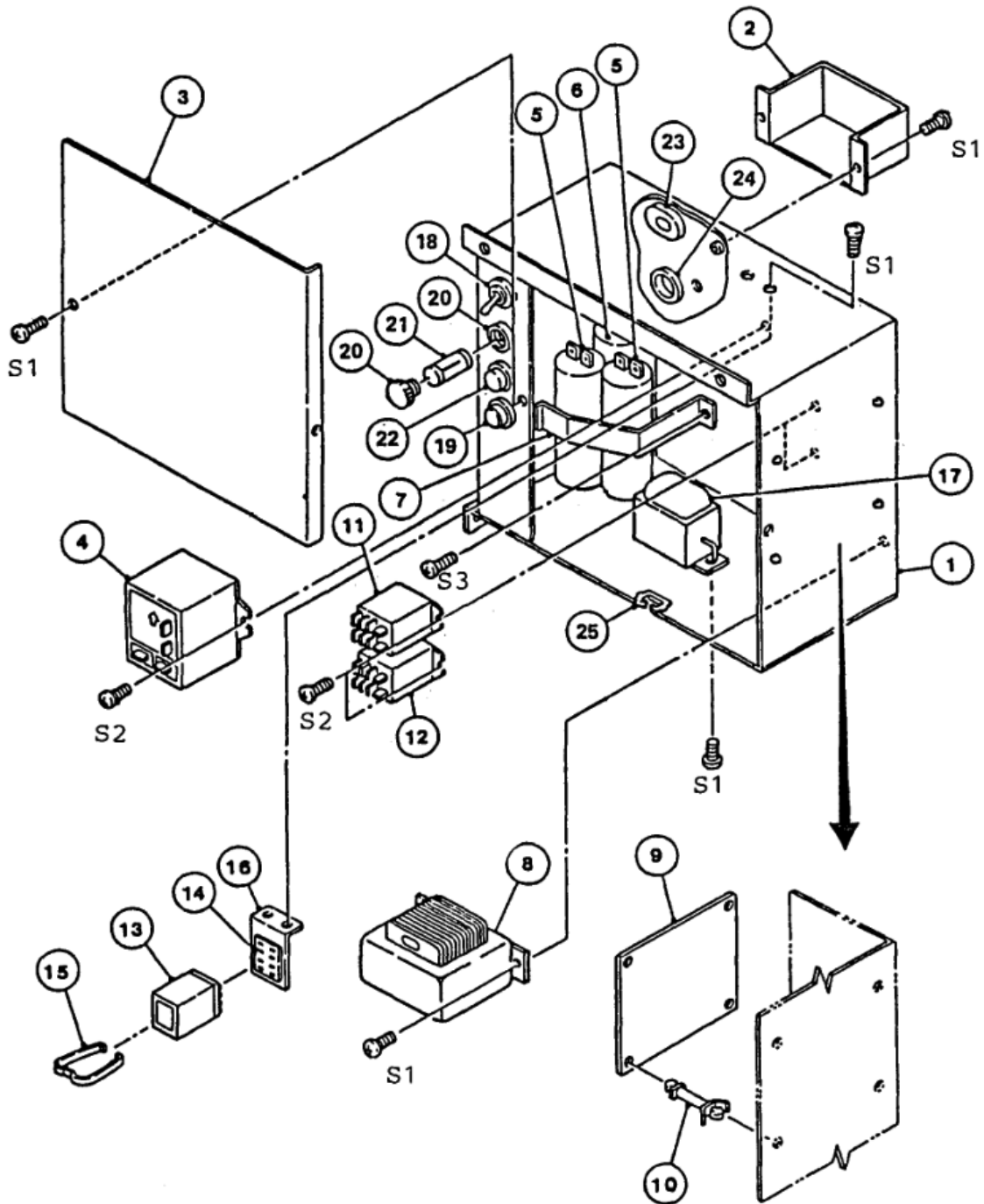


FASTENER

- S1 - TRUSS HEAD MACHINE SCREW. STAINLESS, M4x8
- S2 - TRUSS HEAD MACHINE SCREW, M4x8
- S3 - TRUSS HEAD MACHINE SCREW, STAINLESS, M5x12
- S4 - THUMBSCREW, M4x6

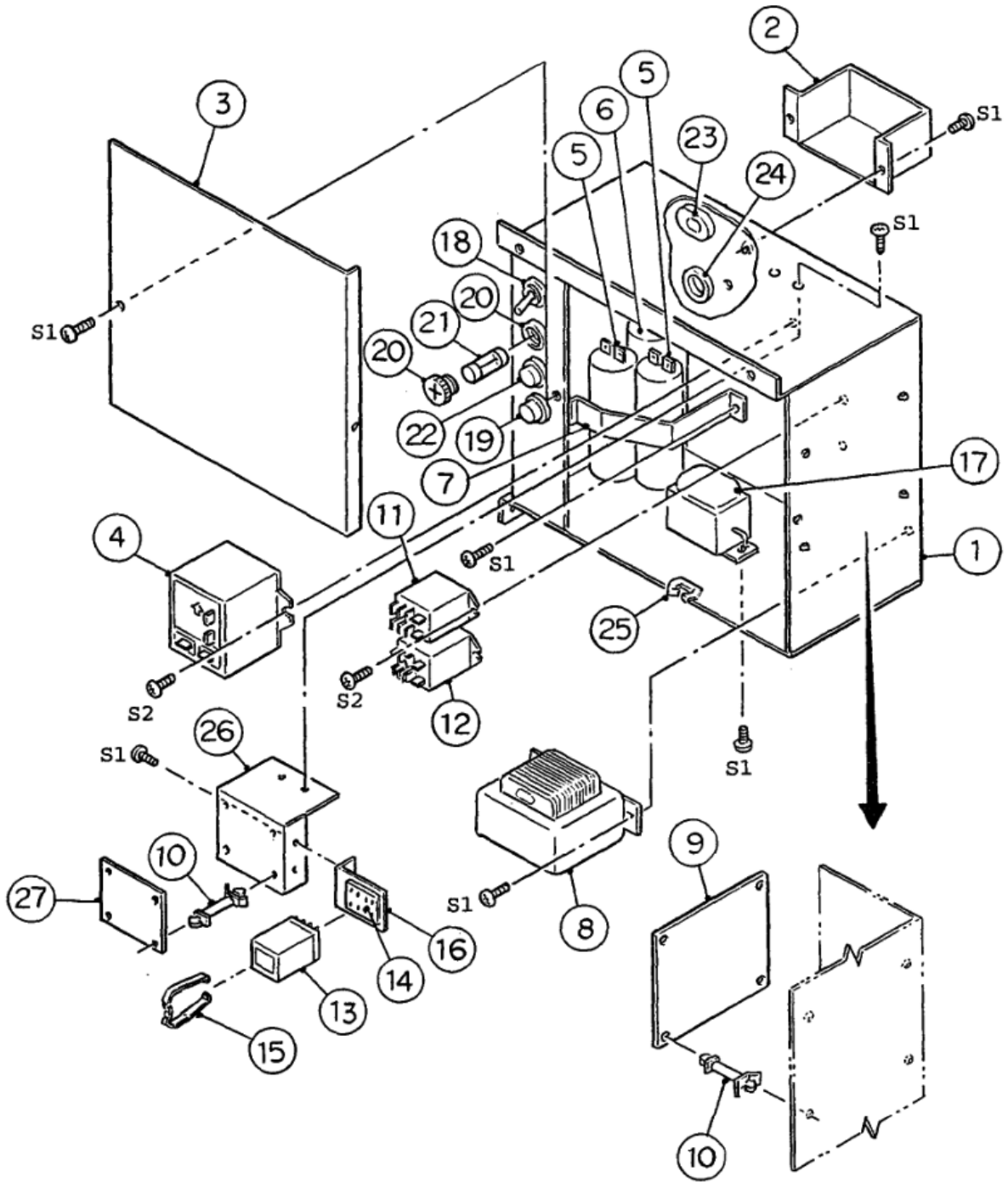
| MODEL F-1101AU | | TITLE D. WATER CIRCUIT ASSEMBLY | | | | | | |
|-------------------|-------------------------|------------------------------------|-------------|--------------|-----|-----|-----|-----|
| INDEX NO. | DESCRIPTION | MATERIAL OR MODEL NUMBER | PART NUMBER | REQ'D NUMBER | | | | |
| | | | | E-1 | F-1 | F-2 | G-1 | G-2 |
| H | FITTING (K) ASSEMBLY | (S-0331) | 310978A01 | 1 | 1 | 1 | 1 | 1 |
| 1 | Pipe - Water Supply | S.S | 425287G01 | 1 | 1 | 1 | 1 | 1 |
| 2 | Packing | NBR | 413854-03 | 1 | 1 | 1 | 1 | 1 |
| 3 | Water Valve | J246-086 | 3U0065-01 | 1 | 1 | 1 | 1 | 1 |
| 4 | Bracket - Water Valve | G.S | 425288-01 | 1 | 1 | 1 | 1 | 1 |
| 5 | Bracket - Reservoir | G.S | 315744-01 | 1 | 1 | 1 | 1 | 1 |
| 6 | Reservoir | ABS | 208125-01 | 1 | 1 | 1 | 1 | 1 |
| 7 | Separator - Reservoir | ABS | 423538-02 | 1 | 1 | 1 | 1 | 1 |
| 8 | Collar | S.S | 423416-01 | 1 | 1 | 1 | 1 | 1 |
| 9 | Cover - Reservoir | ABS | 208126-01 | 1 | 1 | 1 | 1 | 1 |
| 10 | Float Switch | FFS-536B6IB-21 | 417220-01 | 1 | 1 | 1 | 1 | 1 |
| 11 | Hose - Water Supply | EVA | 425289-01 | 1 | 1 | 1 | 1 | 1 |
| 12 | Cover - Reservoir Inlet | SI.R | 415094-01 | 1 | 1 | 1 | 1 | 1 |
| 13 | Hose - Water Supply | PP Polymer | 422922-01 | 1 | - | | | |
| | | EPDM | 428615-05 | | 1 | 1 | 1 | 1 |
| 14 | Pipe - Drain | S.S | 425292G01 | 1 | 1 | 1 | 1 | 1 |
| 15 | Cap - Drain | Brass | 425293-01 | 1 | 1 | 1 | 1 | 1 |
| 16 | Packing - Drain | Sy.R | 425294-01 | 1 | 1 | 1 | 1 | 1 |
| 17 | Clamp | MH-30N | 421642-04 | 2 | 2 | 2 | 2 | 2 |
| 18 | Clamp | MH-44N | 421642-07 | 1 | 1 | 1 | 1 | 1 |
| 19 | Clamp | MH-50N | 421642-08 | 1 | - | | | |
| | | SK-183 | 426148-07 | | 1 | 1 | 1 | 1 |
| 20 | Clamp | MH-56N | 421642-09 | 4 | 3 | 3 | 3 | 3 |
| 21 | - | - | - | - | | | | |
| 22 | 2-Pin Connector | J24032422 | 414358-01 | 1 | - | | | |
| 23 | Clamp | SK-250 | 426148-08 | | 1 | 1 | 1 | 1 |

| MODEL F-1101AU | | TITLE D. WATER CIRCUIT ASSEMBLY | | | | | | |
|-------------------|-------------------------|------------------------------------|-------------|--------------|-----|-----|---|--|
| INDEX NO. | DESCRIPTION | MATERIAL OR MODEL NUMBER | PART NUMBER | REQ'D NUMBER | | | | |
| | | | | H-0 | J-1 | J-2 | | |
| H | FITTING (K) ASSEMBLY | (S-0331) | 310978A01 | 1 | 1 | 1 | | |
| 1 | Pipe - Water Supply | S.S | 425287G01 | 1 | 1 | 1 | | |
| 2 | Packing | NBR | 413854-03 | 1 | 1 | 1 | | |
| 3 | Water Valve | J246-086 | 3U0065-01 | 1 | 1 | 1 | | |
| 4 | Bracket - Water Valve | G.S | 425288-01 | 1 | 1 | 1 | | |
| 5 | Bracket - Reservoir | G.S | 315744-01 | 1 | 1 | 1 | | |
| 6 | Reservoir | ABS | 208125-01 | 1 | 1 | 1 | | |
| 7 | Separator - Reservoir | ABS | 423538-02 | 1 | 1 | 1 | | |
| 8 | Collar | S.S | 423416-01 | 1 | 1 | 1 | | |
| 9 | Cover - Reservoir | ABS | 208126-01 | 1 | 1 | 1 | | |
| 10 | Float Switch | FPS-536B6IB-21 | 417220-01 | 1 | 1 | X | | |
| | | TW-1221-101 | 435490-01 | | | | 1 | |
| 11 | Hose - Water Supply | EVA | 425289-01 | 1 | 1 | 1 | | |
| 12 | Cover - Reservoir Inlet | SI.R | 415094-01 | 1 | 1 | 1 | | |
| 13 | Hose - Water Supply | EPDM | 428615-05 | 1 | 1 | 1 | | |
| 14 | Pipe - Drain | S.S | 425292G01 | 1 | 1 | 1 | | |
| 15 | Cap - Drain | Brass | 425293-01 | 1 | 1 | 1 | | |
| 16 | Packing - Drain | Sy.R | 425294-01 | 1 | 1 | 1 | | |
| 17 | Clamp | MH-30N | 421642-04 | 2 | 2 | 2 | | |
| 18 | Clamp | MH-44N | 421642-07 | 1 | 1 | 1 | | |
| 19 | Clamp | SK-183 | 426148-07 | 1 | 1 | 1 | | |
| 20 | Clamp | MH-56N | 421642-09 | 3 | 3 | 3 | | |
| 21 | - | - | - | - | | | | |
| 22 | - | - | - | - | | | | |
| 23 | Clamp | SK-250 | 426148-08 | 1 | 1 | 1 | | |



FASTENER

- S1 - TRUSS HEAD MACHINE SCREW, M4x6
- S2 - TRUSS HEAD TAPPING SCREW, M3x8
- S3 - TRUSS HEAD MACHINE SCREW, M4x8



FASTENER

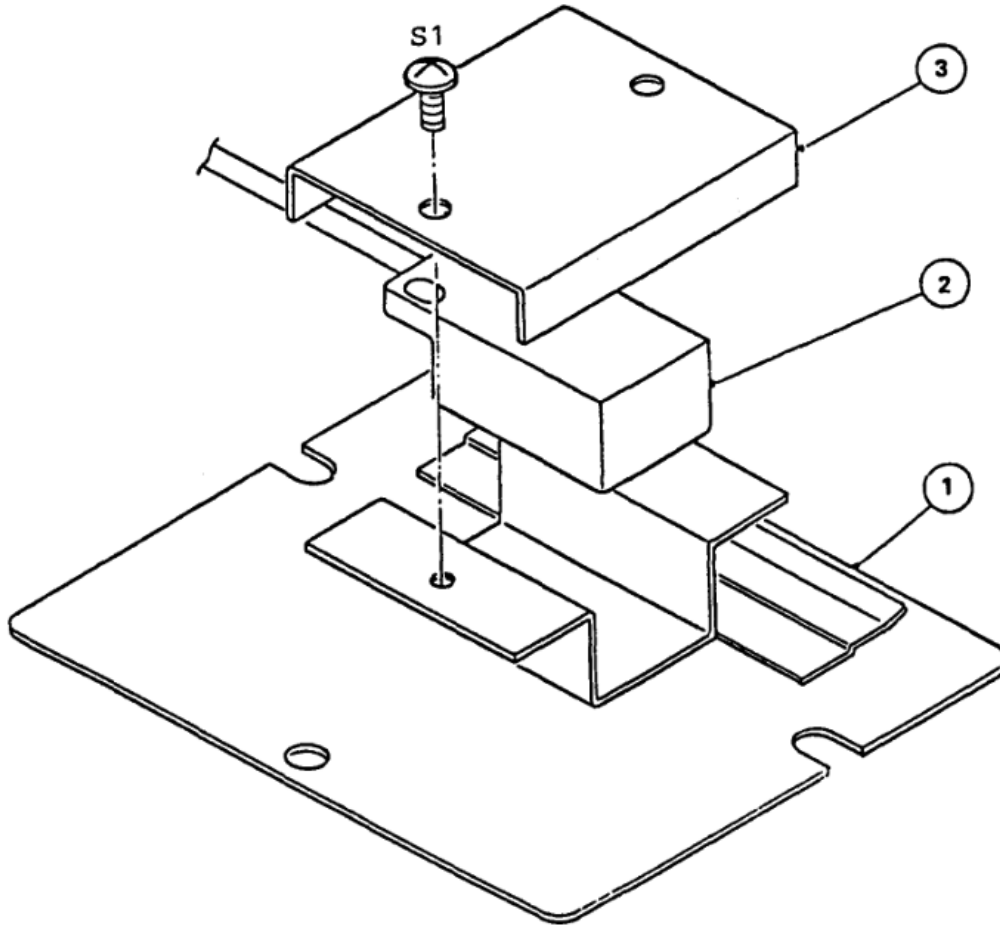
- S1 - TRUSS HEAD MACHINE SCREW, M4x8
- S2 - TRUSS HEAD TAPPING SCREW, M3x8

MODEL
F-1101AU

TITLE
E. CONTROL BOX ASSEMBLY

| INDEX NO. | DESCRIPTION | MATERIAL OR MODEL NUMBER | PART NUMBER | REQ'D NUMBER | | | | |
|-----------|-----------------------|--------------------------|-------------|--------------|-----|-----|-----|-----|
| | | | | E-1 | F-1 | F-2 | G-1 | G-2 |
| 1 | Control Box | G.S | 315746G04 | 1 | 1 | 1 | 1 | 1 |
| 2 | Cover - Connector | G.S | 425302-01 | 1 | 1 | 1 | 1 | 1 |
| 3 | Cover - Control Box | G.S | 425301-01 | 1 | 1 | 1 | 1 | 1 |
| 4 | Starter | FST-275B | 422619-01 | 1 | 1 | 1 | 1 | 1 |
| 5 | Start Capacitor | MS180F100(J)-R | 3U0054-01 | 2 | 2 | 2 | 2 | 2 |
| 6 | Run Capacitor | PMT-40250(P) | 3U0058-01 | 1 | 1 | - | | |
| 7 | Strap - Capacitor | PMT-SH | 431200-01 | | | 1 | 1 | 1 |
| | | G.S | 425299-01 | 1 | 1 | - | | |
| 8 | Transformer | TR5268 | 431394-01 | | | 1 | 1 | 1 |
| | | | 2U0041-01 | 1 | 1 | 1 | 1 | 1 |
| 9 | Timer Board | 424292 | 424292-01 | 1 | 1 | 1 | 1 | 1 |
| 10 | Board Support | KGLS-6S | 414929-01 | 4 | 4 | 4 | 4 | 4 |
| 11 | Relay | LY1F-US | 422608-02 | 1 | 1 | 1 | 1 | 1 |
| 12 | Relay | LY2ZFAG-US | 427318-01 | 1 | 1 | 1 | 1 | 1 |
| 13 | Keep Relay | MY2K-HO | 418524-03 | 1 | 1 | 1 | 1 | 1 |
| 14 | Socket - Relay | PY-14 | 408328-02 | 1 | 1 | 1 | 1 | 1 |
| 15 | Clamp - Relay | PYC-P | 411353-01 | 1 | 1 | 1 | 1 | 1 |
| 16 | Bracket - Relay | G.S | 425300-01 | 1 | 1 | 1 | 1 | 1 |
| 17 | Thermostat | A22-2504 | 425202-01 | 1 | 1 | 1 | 1 | 1 |
| 18 | Toggle Switch | S-421 | 3U0039-01 | 1 | 1 | 1 | 1 | 1 |
| 19 | Push Button Switch | SB-4011N/OT3959 | 420466-01 | 1 | 1 | 1 | 1 | 1 |
| 20 | Fuse Holder | FH032 | 424288-01 | 1 | 1 | 1 | 1 | 1 |
| 21 | Fuse | FGAO-2, 1A | 420468-03 | 1 | 1 | 1 | 1 | 1 |
| 22 | Overload - Gear Motor | W58xBIA4A-2 | 425201-01 | 1 | 1 | 1 | 1 | X |
| 23 | Bushing | SR-4K-4 | 420472-01 | 1 | 1 | 1 | 1 | 1 |
| 24 | Bushing | SB-625-8 | 420470-01 | 1 | 1 | 1 | 1 | 1 |
| 25 | Edge Saddle | EDS-1 | 421552-01 | 1 | 1 | 1 | 1 | 1 |

| MODEL F-1101AU | | TITLE E. CONTROL BOX ASSEMBLY | | | | | | |
|-------------------|-----------------------|----------------------------------|-------------|--------------|-----|--|--|--|
| INDEX NO. | DESCRIPTION | MATERIAL OR MODEL NUMBER | PART NUMBER | REQ'D NUMBER | | | | |
| | | | | H-0 | J-1 | | | |
| 1 | Control Box | G.S | 315746G04 | 1 | 1 | | | |
| 2 | Cover - Connector | G.S | 425302-01 | 1 | 1 | | | |
| 3 | Cover - Control Box | G.S | 425301-01 | 1 | 1 | | | |
| 4 | Starter | PST-275B | 422619-01 | 1 | 1 | | | |
| 5 | Start Capacitor | MS180F100(J)-R | 3U0054-01 | 2 | 2 | | | |
| 6 | Run Capacitor | PMT-SH | 431200-01 | 1 | 1 | | | |
| 7 | Strap - Capacitor | G.S | 431394-01 | 1 | 1 | | | |
| 8 | Transformer | TR5268 | 2U0041-01 | 1 | 1 | | | |
| 9 | Timer Board | 424292 | 424292-01 | 1 | 1 | | | |
| 10 | Board Support | KGLS-6S | 414929-01 | 4 | 8 | | | |
| 11 | Relay | LY1F | 418271-04 | 1 | 1 | | | |
| 12 | Relay | LY2ZF | 406132-06 | 1 | 1 | | | |
| 13 | Keep Relay | MY2K-HO | 418524-03 | 1 | 1 | | | |
| 14 | Socket - Relay | PY-14 | 408328-02 | 1 | 1 | | | |
| 15 | Clamp - Relay | PYC-P | 411353-01 | 1 | 1 | | | |
| 16 | Bracket - Relay | G.S | 425300-01 | 1 | 1 | | | |
| 17 | Thermostat | A22-2504 | 425202-01 | 1 | - | | | |
| | | A10-9756 | 420465-01 | | 1 | | | |
| 18 | Toggle Switch | S-421 | 3U0039-01 | 1 | 1 | | | |
| 19 | Push Button Switch | SB-4011N/OT3959 | 420466-01 | 1 | 1 | | | |
| 20 | Fuse Holder | FH032 | 424288-01 | 1 | 1 | | | |
| 21 | Fuse | FGA0-2 1A | 420468-03 | 1 | 1 | | | |
| 22 | Overload - Gear Motor | W58xBIA4A-2 | 425201-01 | 1 | 1 | | | |
| 23 | Bushing | SR-4K-4 | 420472-01 | 1 | 1 | | | |
| 24 | Bushing | SB-625-8 | 420470-01 | 1 | 1 | | | |
| 25 | Edge Saddle | EDS-1 | 421552-01 | 1 | 1 | | | |
| 26 | Beeper Bracket | G.S | 323312-01 | | 1 | | | |
| 27 | Beeper | - | 435937-01 | | 1 | | | |

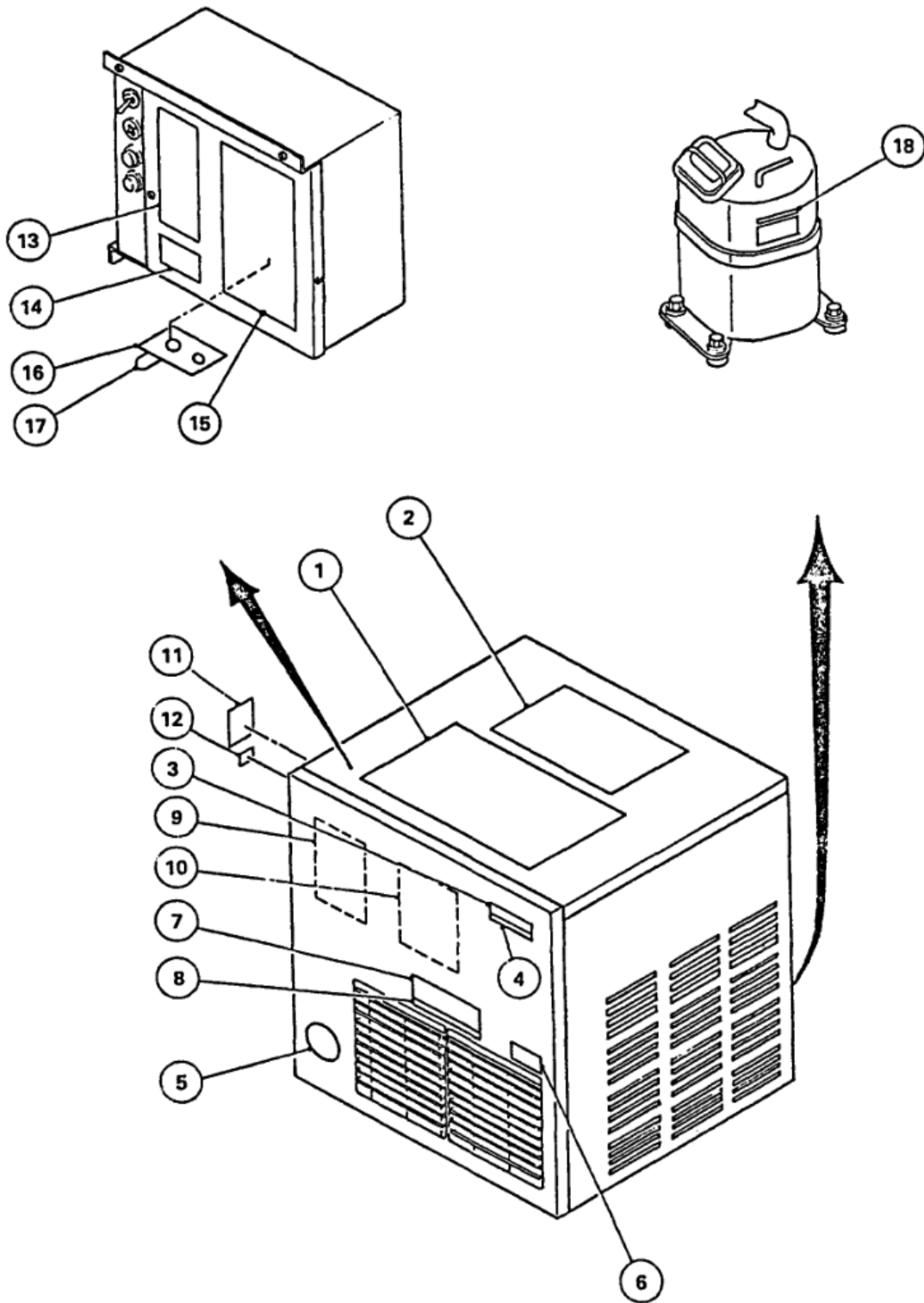


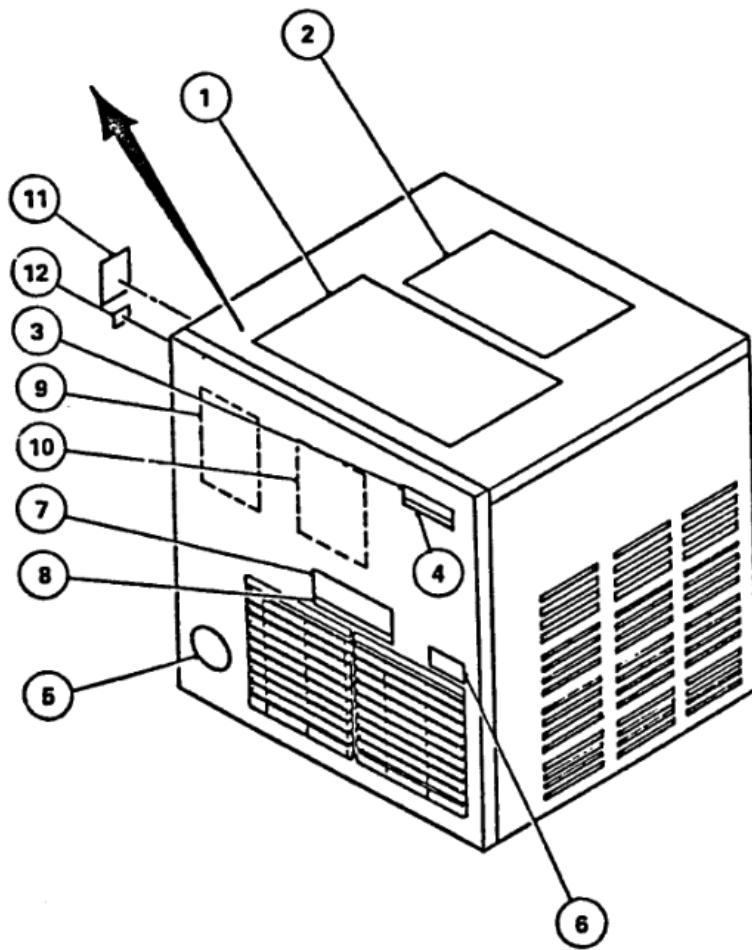
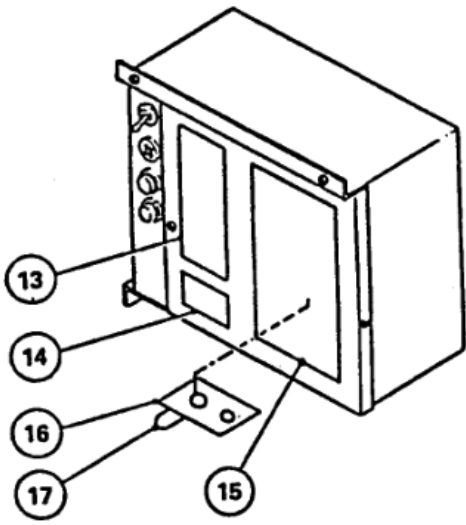
FASTENER

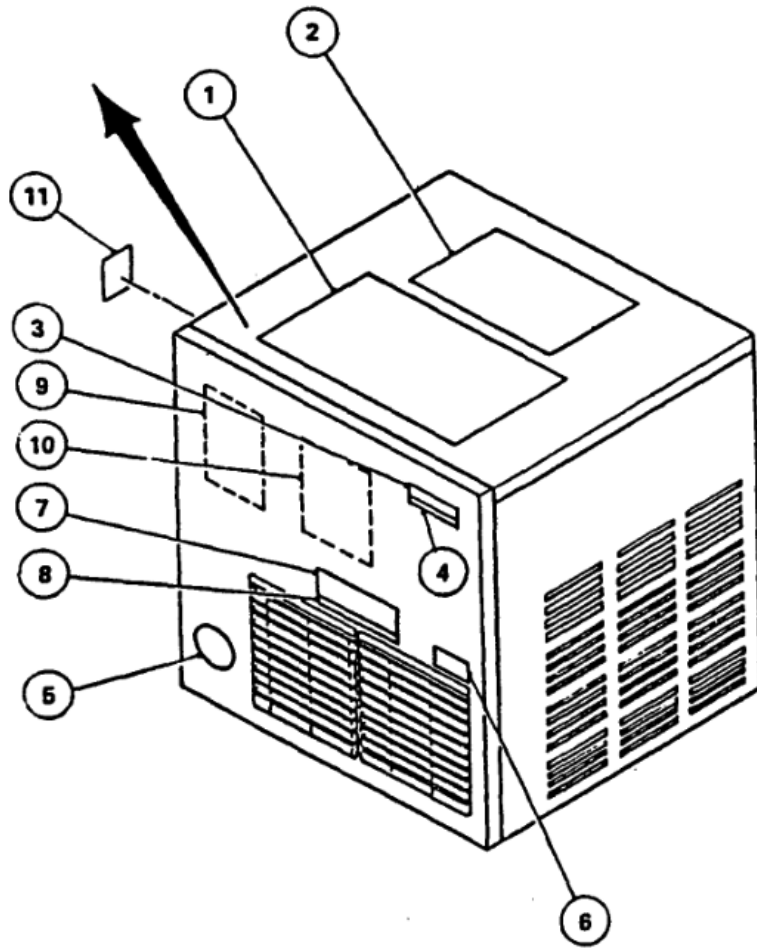
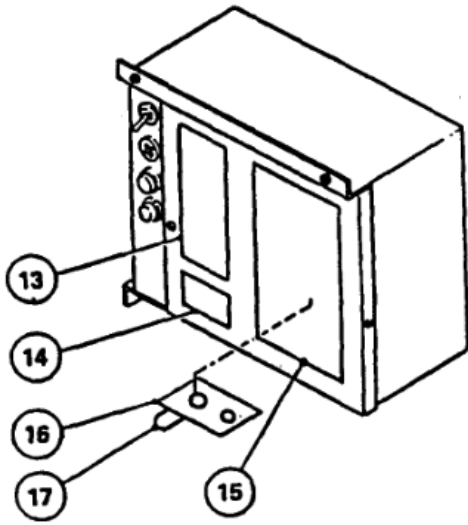
S1 - TRUSS HEAD MACHINE SCREW, STAINLESS, M4x6

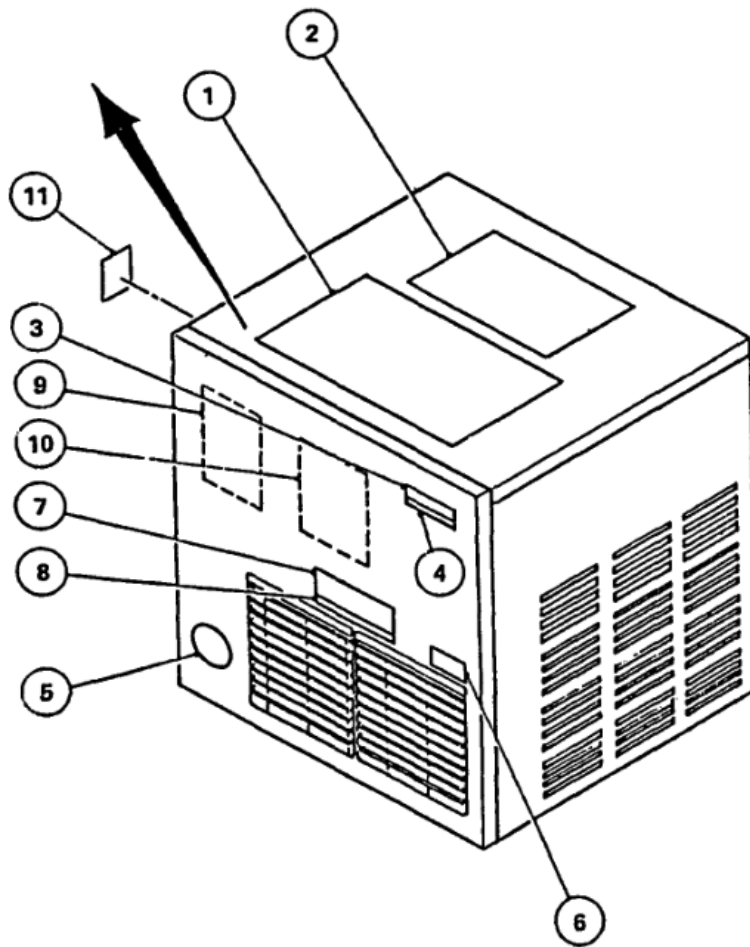
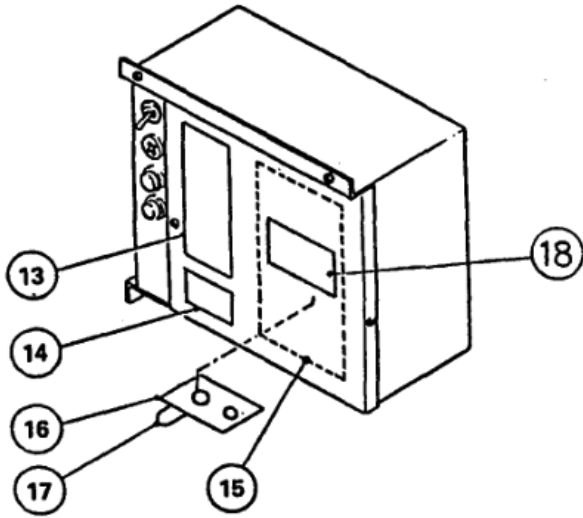
| MODEL | | TITLE | | | | | | |
|-----------|--------------------------------|--------------------------|-------------|--------------|-----|-----|-----|-----|
| F-1101AU | | F. BIN SWITCH ASSEMBLY | | | | | | |
| INDEX NO. | DESCRIPTION | MATERIAL OR MODEL NUMBER | PART NUMBER | REQ'D NUMBER | | | | |
| | | | | E-1 | F-1 | F-2 | G-1 | G-2 |
| 1 | Bracket - Switch | S.S | 317648G01 | 1 | 1 | 1 | 1 | 1 |
| 2 | Proximity Switch - Bin Control | RS-601 | 427223-01 | 1 | 1 | 1 | 1 | 1 |
| 3 | Bracket - Proximity Switch | S.S | 427158-01 | 1 | 1 | 1 | 1 | 1 |

| MODEL F-1101AU | | TITLE P. BIN SWITCH ASSEMBLY | | | | | | |
|-------------------|--------------------------------|---------------------------------|-------------|--------------|-----|--|--|--|
| INDEX NO. | DESCRIPTION | MATERIAL OR MODEL NUMBER | PART NUMBER | REQ'D NUMBER | | | | |
| | | | | H-0 | J-1 | | | |
| 1 | Bracket - Switch | S.S | 317648G01 | 1 | 1 | | | |
| 2 | Proximity Switch - Bin Control | RS-601 | 427223-01 | 1 | 1 | | | |
| 3 | Bracket - Proximity Switch | S.S | 427158-01 | 1 | 1 | | | |







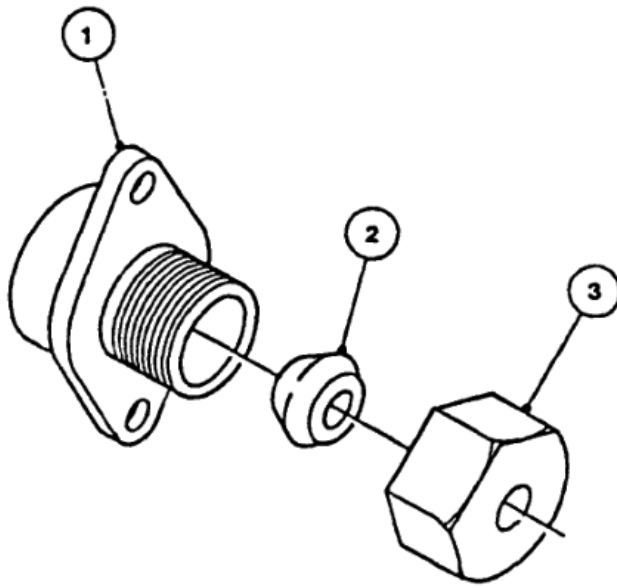


| MODEL F-1101AU | | TITLE G. LABEL LOCATION | | | | | | |
|-------------------|--------------------------------|-----------------------------|----------------|--------------|-----|-----|-----|-----|
| INDEX NO. | DESCRIPTION | MATERIAL OR MODEL NUMBER | PART NUMBER | REQ'D NUMBER | | | | |
| | | | | E-1 | F-1 | F-2 | G-1 | G-2 |
| 1 | Instruction Sheet - Inst. Ope. | Paper | 208144-01 | 1 | 1 | 1 | 1 | 1 |
| 2 | Instruction Sheet - Bin Inst. | Paper | 208145-01 | 1 | 1 | 1 | 1 | 1 |
| 3 | Emblem (L) - HOSHIZAKI | ABS | 418634G01 | 1 | 1 | 1 | 1 | 1 |
| 4 | Label - Model Number | PETP Film | 425305-** | 1 | 1 | 1 | 1 | 1 |
| 5 | Label - Penguin | PETP Film | 410994-01 | 1 | 1 | 1 | 1 | 1 |
| 6 | Label - Warning | PVC Film | 425323-01 | 1 | 1 | 1 | 1 | 1 |
| 7 | Label - Operation, Spout Cont. | PETP Film | 425325-01 | 1 | 1 | 1 | 1 | 1 |
| 8 | Label - Air Filter | PETP Film | 426177-01 | 1 | 1 | 1 | 1 | 1 |
| 9 | Label - Operation | PVC Film | 315758-01 | 1 | 1 | 1 | 1 | 1 |
| 10 | Label - Cleaning | PVC Film | 208146-01 | 1 | 1 | 1 | 1 | X |
| | | | 211624-01 | | | | | 1 |
| 11 | Nameplate | PES Film | 428989-01 | 1 | 1 | 1 | 1 | - |
| | | | 432827-01 | | | | | 1 |
| 12 | Label - NSF | - | 423170-01 | 1 | 1 | 1 | 1 | - |
| 13 | Label - Control Box | PETP Film | 425329-01 | 1 | 1 | 1 | 1 | 1 |
| 14 | Label - Danger | PVC Film | 425322-01 | 1 | 1 | 1 | 1 | 1 |
| 15 | Label - Wiring Diagram | PVC Film | 317653-01 | 1 | 1 | 1 | 1 | 1 |
| 16 | Label - Spout Control | PETP Film | 428016-01 | 1 | 1 | 1 | 1 | 1 |
| 17 | Label - Factory Adjusted | PETP Film | 419404-01 | 1 | 1 | 1 | 1 | 1 |
| 18 | Label - Thermally Protected | PES Film | 427316-01 | 1 | 1 | 1 | - | |

** is as same as the Auxiliary Code.

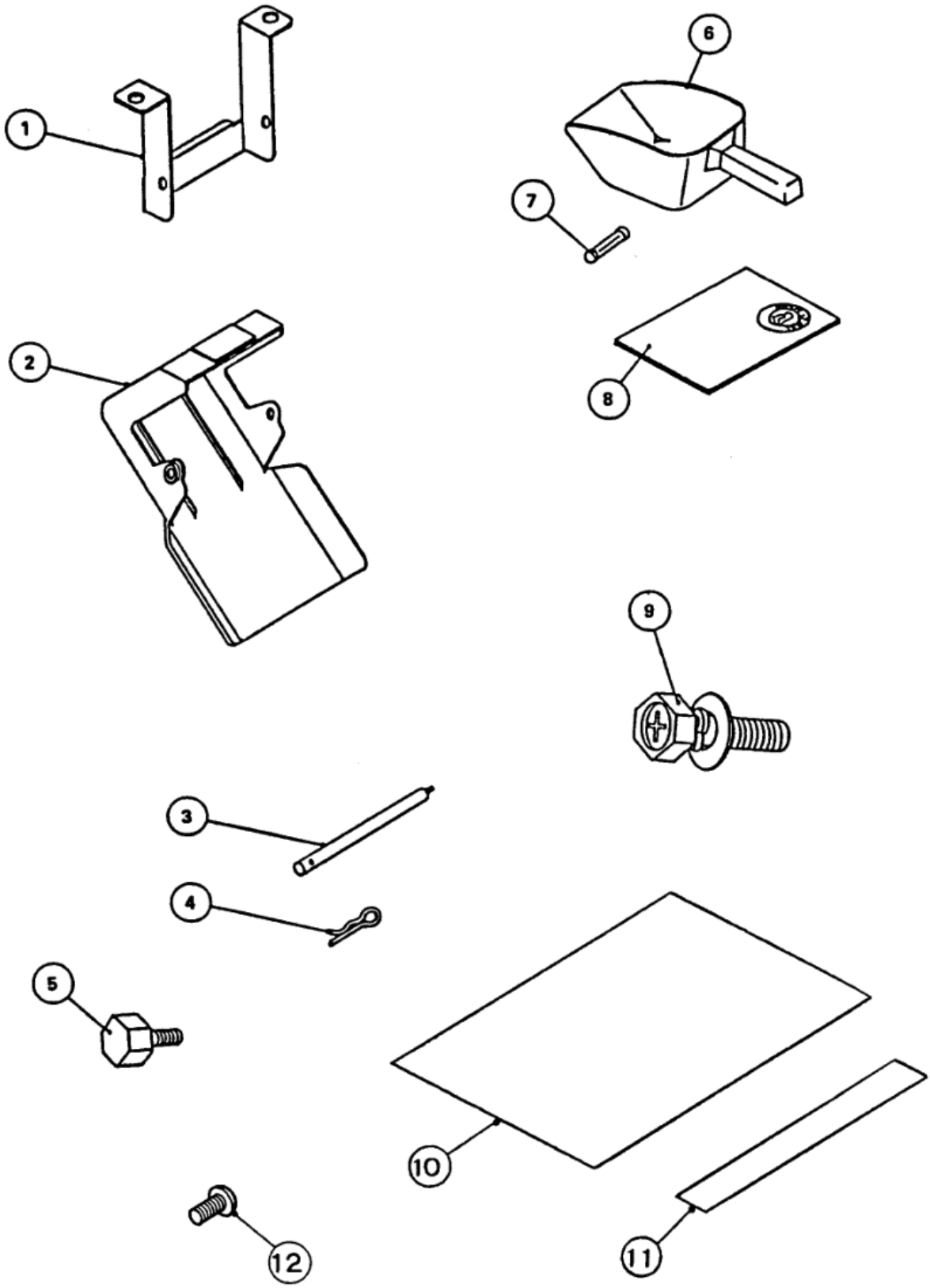
| MODEL F-1101AU | | TITLE G. LABEL LOCATION | | | REQ'D NUMBER | | | | |
|-------------------|--------------------------------|----------------------------|-------------|--------------|--------------|--|--|--|--|
| INDEX NO. | DESCRIPTION | MATERIAL OR MODEL NUMBER | PART NUMBER | REQ'D NUMBER | | | | | |
| | | | | H-0 | J-1 | | | | |
| 1 | Instruction Sheet - Inst. Ope. | Paper | 208144-01 | 1 | 1 | | | | |
| 2 | Instruction Sheet - Bin Inst. | Paper | 208145-01 | 1 | 1 | | | | |
| 3 | Emblem (L) - HOSHIZAKI | ABS | 418634G01 | 1 | 1 | | | | |
| 4 | Label - Model Number | PETP Film | 425305-** | 1 | 1 | | | | |
| 5 | Label - Penguin | PETP Film | 410994-01 | 1 | 1 | | | | |
| 6 | Label - Warning | PVC Film | 425323-01 | 1 | 1 | | | | |
| 7 | Label - Operation, Spout Cont. | PETP Film | 425325-01 | 1 | 1 | | | | |
| 8 | Label - Air Filter | PETP Film | 426177-01 | 1 | 1 | | | | |
| 9 | Label - Operation | PVC Film | 315758-01 | 1 | 1 | | | | |
| 10 | Label - Cleaning | PVC Film | 211624-01 | 1 | 1 | | | | |
| 11 | Nameplate | PES Film | 432827-01 | 1 | 1 | | | | |
| 12 | - | - | - | - | | | | | |
| 13 | Label - Control Box | PETP Film | 425329-01 | 1 | 1 | | | | |
| 14 | Label - Danger | PVC Film | 425322-01 | 1 | 1 | | | | |
| 15 | Label - Wiring Diagram | PVC Film | 317653-01 | 1 | - | | | | |
| | Wiring Label | PVC Film | 323349-01 | | 1 | | | | |
| 16 | Label - Spout Control | PETP Film | 428016-01 | 1 | - | | | | |
| | Label - Bin Thermostat | PETP Film | 435984-01 | | 1 | | | | |
| 17 | Label - Factory Adjusted | PETP Film | 419404-01 | 1 | 1 | | | | |
| 18 | - | - | - | - | | | | | |
| 19 | Warning Label | PVC Film | 435955-01 | | 1 | | | | |

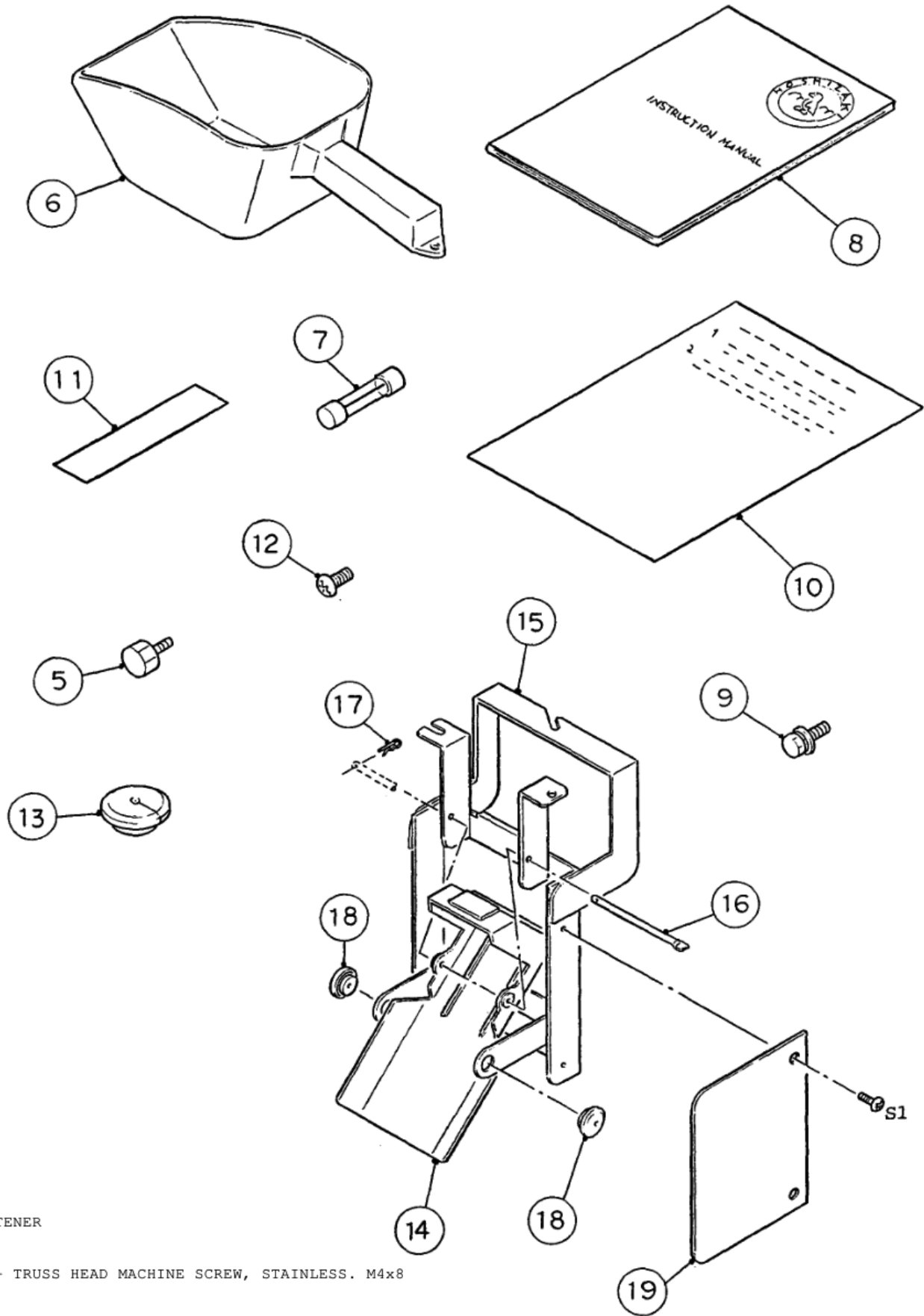
** is as same as the Auxiliary Code.



| MODEL | | TITLE | | | | | | |
|-----------|-------------|--------------------------|-------------|--------------|-----|-----|-----|-----|
| F-1101AU | | H. FITTING (K) ASSEMBLY | | | | | | |
| INDEX NO. | DESCRIPTION | MATERIAL OR MODEL NUMBER | PART NUMBER | REQ'D NUMBER | | | | |
| | | | | E-1 | F-1 | F-2 | G-1 | G-2 |
| 1 | Fitting (K) | Brass Casting | 310978-01 | 1 | 1 | 1 | 1 | 1 |
| 2 | Packing (C) | Sy.R | 415715-02 | 1 | 1 | 1 | 1 | 1 |
| 3 | Nut (B) | Brass | 415713-02 | 1 | 1 | 1 | 1 | 1 |

| MODEL | | TITLE | | | | | | |
|-----------|-------------|--------------------------|-------------|--------------|-----|--|--|--|
| F-1101AU | | H. FITTING (K) ASSEMBLY | | | | | | |
| INDEX NO. | DESCRIPTION | MATERIAL OR MODEL NUMBER | PART NUMBER | REQ'D NUMBER | | | | |
| | | | | H-0 | J-1 | | | |
| 1 | Fitting (K) | Brass Casting | 310978-01 | 1 | 1 | | | |
| 2 | Packing (C) | Sy.R | 415715-02 | 1 | 1 | | | |
| 3 | Nut (B) | Brass | 415713-02 | 1 | 1 | | | |



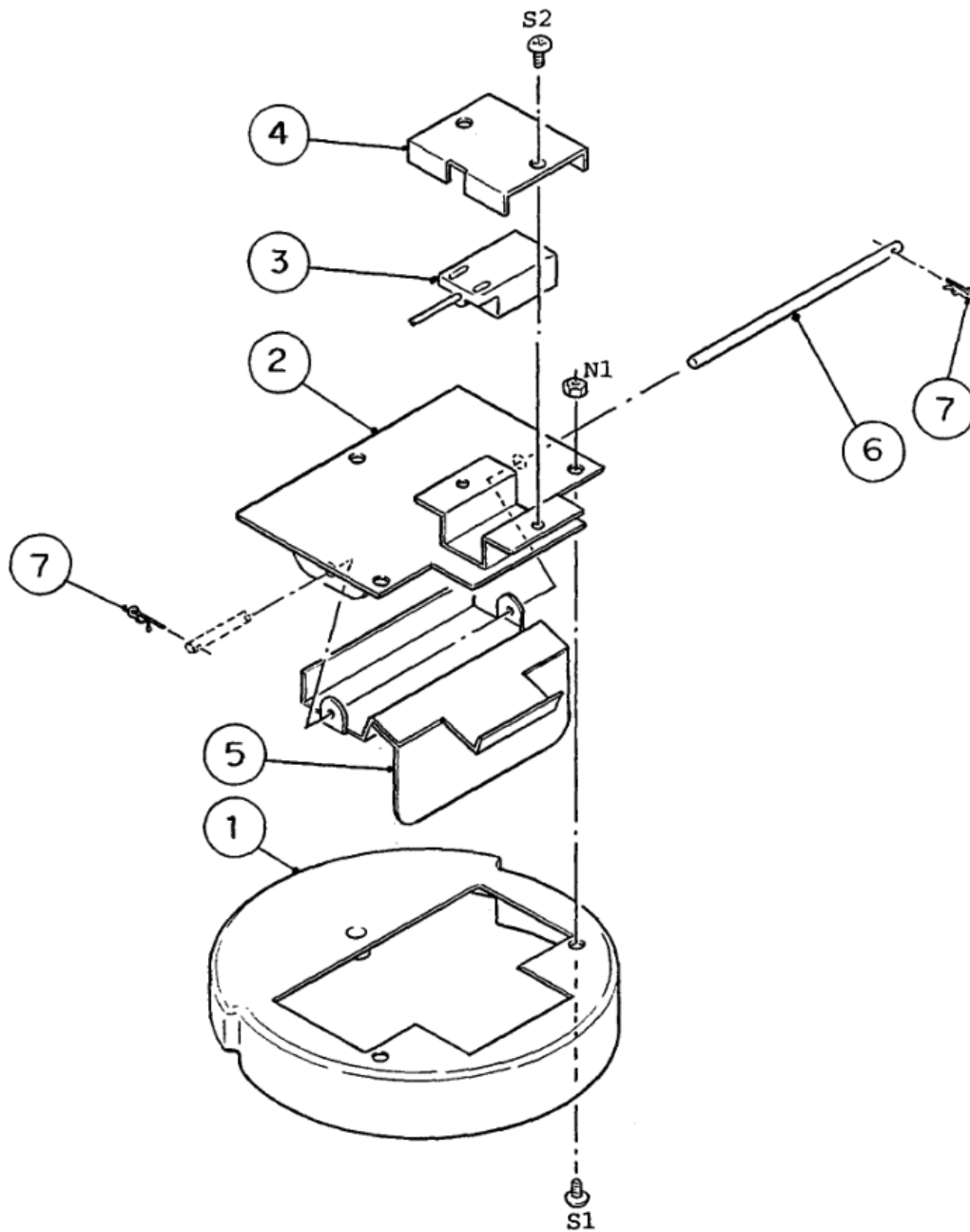


FASTENER

S1 - TRUSS HEAD MACHINE SCREW, STAINLESS. M4x8

| MODEL | | TITLE | | | | | | |
|-----------|------------------------------|--------------------------|---------------------------|--------------|-----|-----|-----|-----|
| F-1101AU | | J. ACCESSORIES | | | | | | |
| INDEX NO. | DESCRIPTION | MATERIAL OR MODEL NUMBER | PART NUMBER | REQ'D NUMBER | | | | |
| | | | | E-1 | F-1 | F-2 | G-1 | G-2 |
| 1 | Bracket - Actuator | S.S | 428003-01 | 1 | 1 | 1 | 1 | 1 |
| 2 | Actuator - Switch | ABS | 209168G01 | 1 | 1 | 1 | 1 | 1 |
| 3 | Shaft | S.S | 412337-03 | 1 | 1 | 1 | 1 | 1 |
| 4 | Snap Pin | S.S, SSP-4 | 715S-0004 | 1 | 1 | 1 | 1 | 1 |
| 5 | Thumbscrew | S.S, ABS | 415949G04 | 3 | 3 | 3 | 3 | 3 |
| 6 | Scoop | PE | 208185-01 | 1 | 1 | 1 | 1 | 1 |
| 7 | Fuse | FGA0-2, 1A | 420468-03 | 1 | 1 | 1 | 1 | 1 |
| 8 | Instruction Manual | Paper | 9021G-14A | 1 | - | | | |
| | | | 91U2AA10A | | 1 | 1 | 1 | X |
| | | | 91U2AA10B | | | | | 1 |
| 9 | Bolt And Washer Assy SW | S.S, M8x16 | - | 2 | 2 | 2 | 2 | 2 |
| 10 | Instruction Sheet - Actuator | Paper | 317651-01 | 1 | 1 | 1 | 1 | 1 |
| 11 | Instruction Sheet - Fastener | Paper | 427122-01 | 1 | 1 | 1 | 1 | 1 |
| 12 | Truss Head Machine Screw | S.S, M4x30 | - | 2 | 2 | 2 | 2 | 2 |

| MODEL F-1101AU | | TITLE J. ACCESSORIES | | | REQ'D NUMBER | | | | |
|-------------------|---------------------------------|--------------------------|-------------|--------------|--------------|---|--|--|--|
| INDEX NO. | DESCRIPTION | MATERIAL OR MODEL NUMBER | PART NUMBER | REQ'D NUMBER | | | | | |
| | | | | H-0 | J-1 | | | | |
| 1 | Bracket - Actuator | S.S | 428003-01 | 1 | - | | | | |
| 2 | Actuator - Switch | ABS | 209168G01 | 1 | - | | | | |
| 3 | Shaft | S.S | 412337-03 | 1 | - | | | | |
| 4 | Snap Pin | S.S, SSP-4 | 715S-0004 | 1 | - | | | | |
| 5 | Thumbscrew | S.S, ABS | 415949G04 | 3 | 3 | | | | |
| 6 | Scoop | PE | 208185-01 | 1 | 1 | | | | |
| 7 | Fuse | FGA0-2, 1A | 420468-03 | 1 | 1 | | | | |
| 8 | Instruction Manual | Paper | 91U2AA10B | 1 | - | | | | |
| | | | 91U2AA10C | | 1 | | | | |
| 9 | Bolt And Washer Assy SW | S.S, M8x16 | - | 2 | 2 | | | | |
| 10 | Instruction Sheet - Actuator | Paper | 317651-01 | 1 | - | | | | |
| | Instruction Sheet - Bin Control | | 323351-01 | | 1 | | | | |
| 11 | Instruction Sheet - Fastener | Paper | 427122-01 | 1 | 1 | | | | |
| 12 | Truss Head Machine Screw | S.S, M4x30 | - | 2 | 2 | | | | |
| 13 | Bushing - Cappillary Tube | } | 425307-01 | | 1 | | | | |
| 14 | Actuator - Switch | | 209168G01 | | 1 | | | | |
| 15 | Bin Control Bracket | | Bin Control | 323306G01 | | 1 | | | |
| 16 | Shaft | | Assembly | 412337-03 | | 1 | | | |
| 17 | Snap Pin | | (323318A01) | 715S-0004 | | 1 | | | |
| 18 | Bushing - Cappillary Tube | | | 425307-01 | | 2 | | | |
| 19 | Paddle Cover (B) | | | 435869-01 | | 1 | | | |



FASTENER

- S1 - TRUSS HEAD MACHINE SCREW, STAINLESS, M4x8
- S2 - TRUSS HEAD MACHINE SCREW, STAINLESS, M4x6
- N1 - U Nut, STAINLESS, M4

| MODEL | | TITLE | | | | | | |
|-----------|----------------------------|---------------------------|-------------|--------------|-----|--|--|--|
| F-1101AU | | K. SPOUT CONTROL ASSEMBLY | | | | | | |
| INDEX NO. | DESCRIPTION | MATERIAL OR MODEL NUMBER | PART NUMBER | REQ'D NUMBER | | | | |
| | | | | | J-1 | | | |
| 1 | Cover - Chute | ABS | 213116G01 | | 1 | | | |
| 2 | Spout Cover | S.S | 323307G01 | | 1 | | | |
| 3 | Proximity Switch | RS-601 | 427223-01 | | 1 | | | |
| 4 | Bracket - Proximity Switch | S.S | 427158-01 | | 1 | | | |
| 5 | Paddle | S.S | 323310G01 | | 1 | | | |
| 6 | Axle | S.S | 435873-01 | | 1 | | | |
| 7 | Snap Pin | S.S, SSP-4 | 715S-0004 | | 2 | | | |