

Hoshizaki America, Inc.

Modular Flaker

Models

F-2000MWH

F-2000MRH(3)(-C)

F-2000MLH



"A Superior Degree
of Reliability"

www.hoshizaki.com

PARTS LIST



Number: 71339
Issued: 2-3-2012

CONTENTS

| | |
|---|----|
| Auxiliary Codes..... | 3 |
| Note About Ordering Parts | 4 |
| A. Ice Flaker Assembly | 5 |
| B. Ice Making Unit..... | 8 |
| C. Refrigeration Circuit..... | 10 |
| F-2000MWH | 10 |
| F-2000MRH(3)(-C) | 12 |
| F-2000MLH | 14 |
| D. Water Circuit | 16 |
| E. Control Box Assembly..... | 18 |
| F. Chute Assembly | 21 |
| G. Accessories, Labels, & Packaging | 23 |

Auxiliary Codes

F-2000MWH

L-0 July 2001
M-0 March 2002
M-1 August 2002
N-0 December 2002
P-0 December 2003
P-1 May 2004
Q-0 January 2005
R-0 December 2005
S-0 January 2007
T-0 February 2008
T-1 June 2008
U-0 January 2009
V-0 January 2010
V-1 June 2010
V-2 September 2010
A-0 January 2011
A-1 October 2011
B-0 January 2012
B-1 March 2012

F-2000MRH

L-0 May 2001
M-0 April 2002
N-0 January 2003
P-0 January 2004
P-1 August 2004
Q-0 March 2005
R-0 December 2005
S-0 January 2007
T-0 January 2008
T-1 June 2008
U-0 January 2009
V-0 January 2010
V-2 August 2010
V-3 November 2010
A-0 January 2011
A-1 November 2011
B-0 January 2012
B-1 March 2012

F-2000MRH3

L-0 April 2001
M-0 January 2002
N-0 December 2002
P-0 December 2003
P-1 August 2004
Q-0 May 2005
R-0 January 2006
S-0 January 2007
T-0 January 2008
T-1 June 2008
U-0 January 2009
V-0 January 2010
V-1 May 2010
V-2 August 2010
V-3 November 2010
A-0 January 2011
A-1 October 2011
B-0 January 2012
B-1 March 2012

F-2000MRH-C

T-0 April 2008
T-1 June 2008
U-0 January 2009
V-0 January 2010
V-1 June 2010
V-2 August 2010
V-3 October 2010
A-0 January 2011
A-1 October 2011
B-0 January 2012
B-1 March 2012

| | | |
|------------------|------------|---------------|
| F-2000MLH | M-0 | February 2002 |
| | M-1 | June 2002 |
| | N-0 | January 2003 |
| | P-0 | December 2003 |
| | P-1 | May 2004 |
| | Q-0 | December 2004 |
| | R-0 | December 2005 |
| | S-0 | January 2007 |
| | T-0 | January 2008 |
| | U-0 | February 2009 |
| | V-0 | February 2010 |
| | V-1 | May 2010 |
| | V-2 | August 2010 |
| | A-0 | January 2011 |
| | A-1 | November 2011 |
| | B-0 | January 2012 |
| B-1 | March 2012 | |

Auxiliary Code Breakdown

The auxiliary code is the first two characters in the serial number. The first character indicates the year. Years progress or regress in alphabetical order. The series runs from "A" through "V" and the letters "I" and "O" are skipped. The second character indicates significant part changes within a year. Base is "0" and this number advances for each change. In cases where there is a letter in parentheses, this designates the month. This is the last character in the serial number. The series runs from "(A)" through "(M)" and the letter "(I)" is skipped. This designation is only included when identifying a parts change within an auxiliary code.

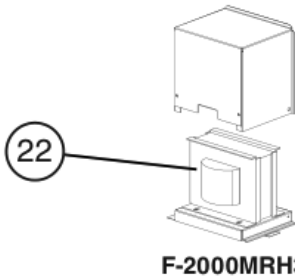
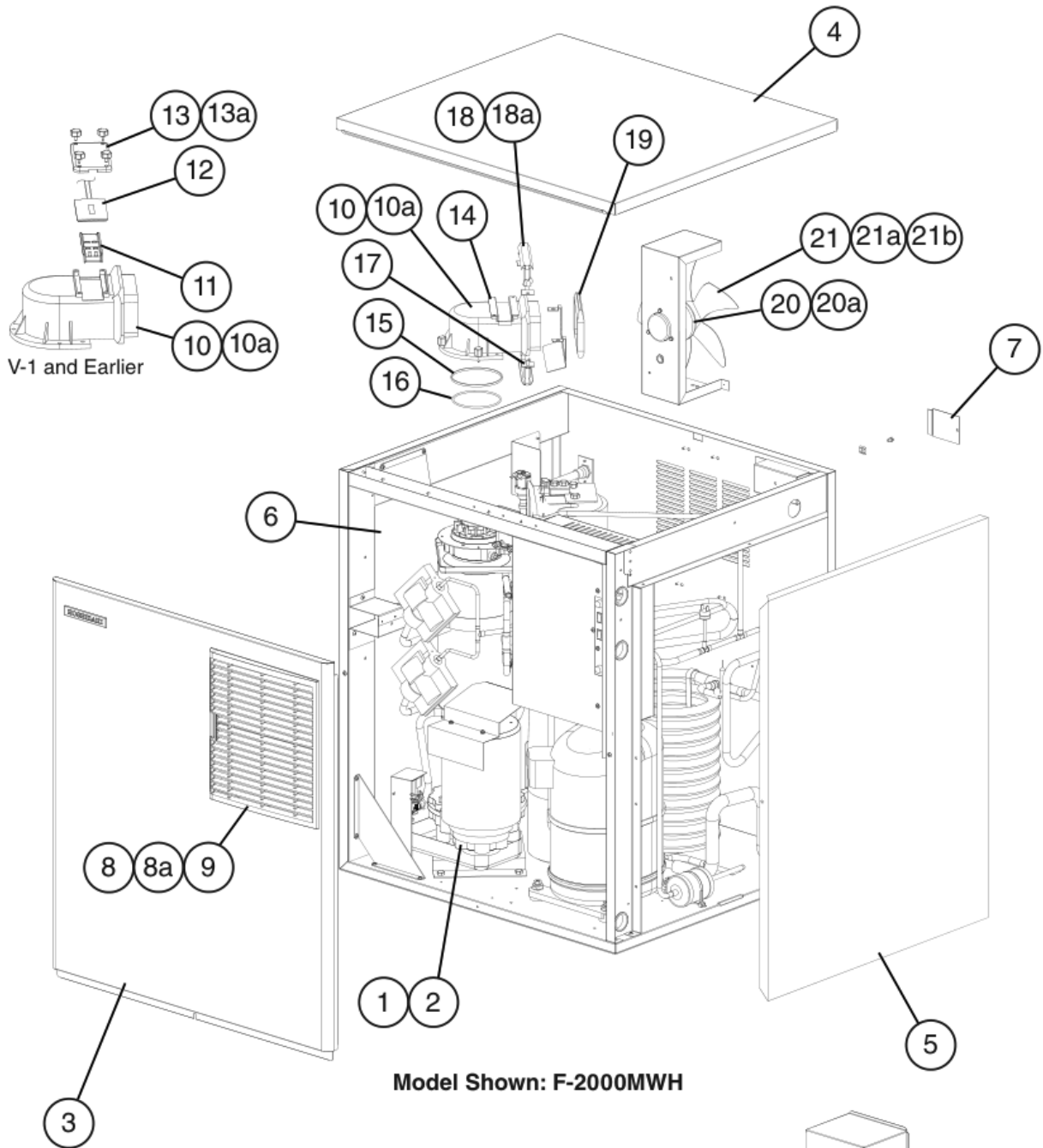
Note About Ordering Parts

Most assemblies cannot be ordered as complete units; parts in the assemblies generally must be ordered separately.

A. Ice Flaker Assembly

F-2000MWH, F-2000MRH(3)(-C), F-2000MLH

L-0 to B-1



Title: **A. Ice Flaker Assembly** Model: **F-2000MWH, F-2000MRH(3)(-C), F-2000MLH**

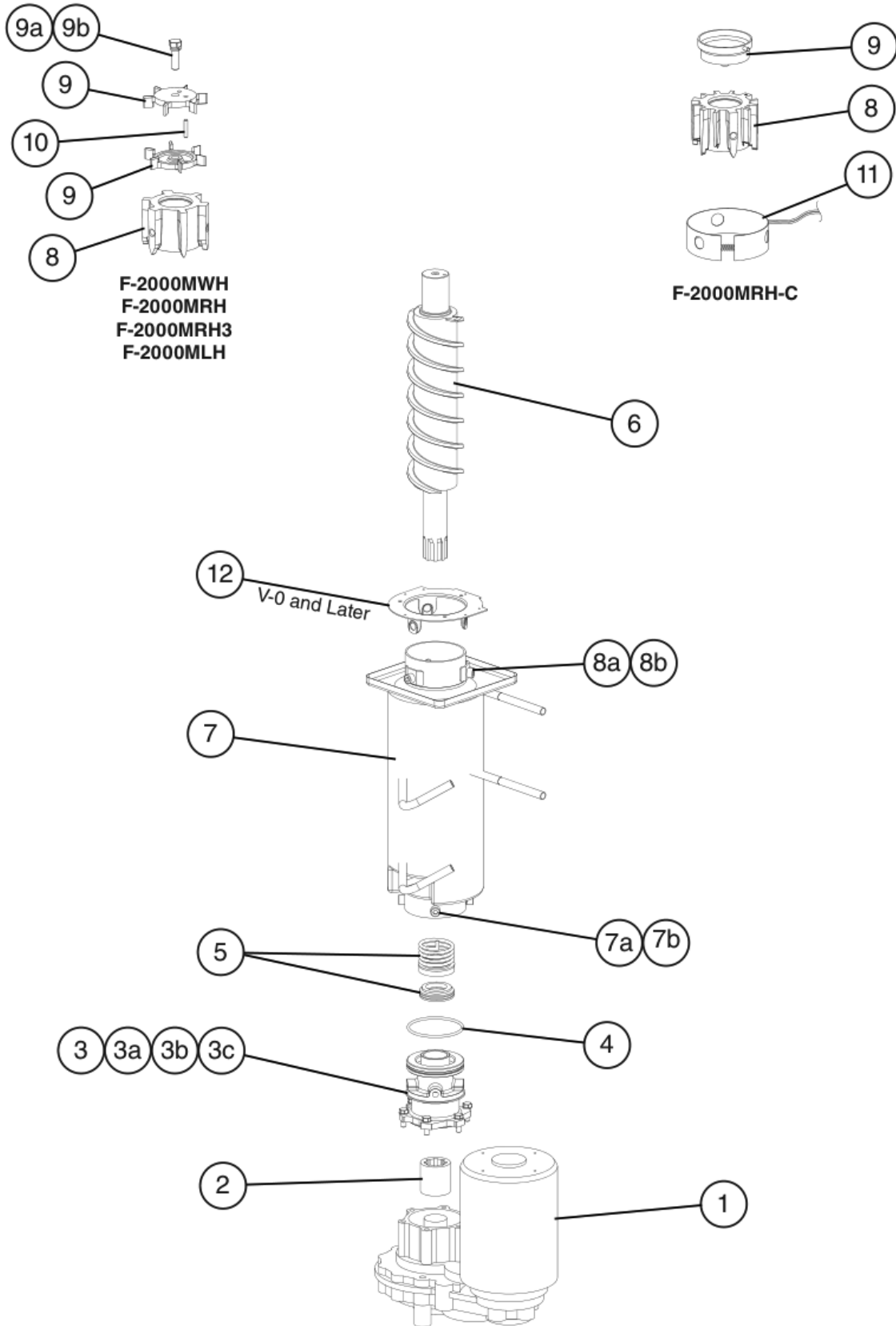
| Index No. | Description | Material or Model Number | Part Number | Required Number | | | | | | | | | | |
|--|-----------------------|---|-------------|-----------------|---------|-----|-----|------------|-----|---|---|--|--|--|
| | | | | L-0 to T-0 | T-1 U-0 | V-0 | V-1 | V-2 to B-0 | B-1 | | | | | |
| Ice Flaker Assembly Order Assembly Parts Individually | | F-2000MWH | 1A0557A03 | 1 | - | | | | | | | | | |
| | | | 1A1568A01 | | 1 | 1 | - | | | | | | | |
| | | | 1A1568A02 | | | | | 1 | - | | | | | |
| | | | 1A1568A03 | | | | | | 1 | - | | | | |
| | | | 1A2225A01 | | | | | | | | 1 | | | |
| | | F-2000MRH | 1A0558A01 | 1 | - | | | | | | | | | |
| | | | 1A1577A01 | | 1 | 1 | - | | | | | | | |
| | | | 1A1577A04 | | | | | 1 | - | | | | | |
| | | | 1A1577A07 | | | | | | 1 | - | | | | |
| | | | 1A2227A01 | | | | | | | | 1 | | | |
| | | F-2000MRH3 | 1A0559A01 | 1 | - | | | | | | | | | |
| | | | 1A1577A03 | | 1 | 1 | - | | | | | | | |
| | | | 1A1577A06 | | | | | 1 | - | | | | | |
| | | | 1A1577A09 | | | | | | 1 | - | | | | |
| | | | 1A2227A03 | | | | | | | | 1 | | | |
| | | F-2000MRH-C | 1A1577A02 | 1 | 1 | 1 | - | | | | | | | |
| | | | 1A1577A05 | | | | | 1 | - | | | | | |
| | | | 1A1577A08 | | | | | | 1 | - | | | | |
| | | | 1A2227A02 | | | | | | | | 1 | | | |
| | | F-2000MLH | 1A0560A01 | 1 | - | | | | | | | | | |
| 1A1574A01 | | | 1 | 1 | - | | | | | | | | | |
| 1A1574A02 | | | | | | 1 | - | | | | | | | |
| 1A1574A03 | | | | | | | 1 | - | | | | | | |
| 1A2226A01 | | | | | | | | | 1 | | | | | |
| 1 | Socket Head Cap Screw | 10x1.5, SS | 420600-02 | 3 | 3 | 3 | 3 | 3 | 3 | | | | | |
| 2 | Spring Washer | M10, SS | 7L22-1000 | 3 | 3 | 3 | 3 | 3 | 3 | | | | | |
| 3 | Front Panel | | 2A2075-01 | 1 | 1 | 1 | 1 | 1 | 1 | | | | | |
| 4 | Top Panel | | 2A2074-01 | 1 | 1 | 1 | 1 | 1 | 1 | | | | | |
| 5 | Right Side Panel | | 2A2077G01 | 1 | 1 | 1 | 1 | 1 | 1 | | | | | |
| 6 | Left Side Panel | | 2A2076G01 | 1 | 1 | 1 | 1 | 1 | 1 | | | | | |
| 7 | Junction Box Cover | F-2000MWH F-2000MLH | 433410-01 | 1 | 1 | 1 | 1 | 1 | 1 | 1 | | | | |
| | | F-2000MRH F-2000MRH3 F-2000MRH-C | 433410-01 | 2 | 2 | 2 | 2 | 2 | 2 | 2 | | | | |
| 8 | Louver | | 1A0547-01 | 1 | 1 | 1 | 1 | 1 | 1 | | | | | |
| 8a | Push Retainer | | 4A2414-01 | 3 | 3 | 3 | 3 | 3 | 3 | | | | | |
| 9 | Air Filter | | 2A2062G01 | 1 | 1 | 1 | 1 | 1 | 1 | | | | | |
| 10 | Spout | | 105378G01 | 1 | 1 | 1 | 1 | 1 | 1 | | | | | |
| 10a | Thumbscrew | | 415949G11 | 3 | 3 | 3 | 3 | 3 | 3 | | | | | |
| 11 | Actuator | | 327038-01 | 1 | 1 | 1 | 1 | - | | | | | | |
| 12 | Belt Switch | | 440973-01 | 1 | 1 | 1 | 1 | - | | | | | | |
| 13 | Switch Cover | | 327037-01 | 1 | 1 | 1 | 1 | - | | | | | | |
| 13a | Thumbscrew | | 415949G04 | 4 | 4 | 4 | 4 | - | | | | | | |
| 14 | Spout Cover | | 4A5174-01 | | | | | 1 | 1 | | | | | |
| 15 | Ring | | 431736-01 | 1 | 1 | 1 | 1 | 1 | 1 | | | | | |
| 16 | "O" Ring | | 7616-G095 | 1 | 1 | - | | | | | | | | |
| | | | 4A4755-05 | | | 1 | 1 | 1 | 1 | | | | | |

| Title: A. Ice Flaker Assembly Model: F-2000MWH, F-2000MRH(3)(-C), F-2000MLH | | | | | | | | | | | | | | |
|---|-------------------|--------------------------|-------------|-----------------|---------|-----|-----|------------|-----|--|--|--|--|--|
| Index No. | Description | Material or Model Number | Part Number | Required Number | | | | | | | | | | |
| | | | | L-0 to T-0 | T-1 U-0 | V-0 | V-1 | V-2 to B-0 | B-1 | | | | | |
| 17 | Lower Spout Strap | | 327041G02 | 1 | 1 | 1 | 1 | 1 | - | | | | | |
| | | | 3A6913G01 | | | | | | 1 | | | | | |
| 18 | Upper Spout Strap | | 327042-04 | 1 | 1 | 1 | 1 | 1 | - | | | | | |
| | | | 3A6912-02 | | | | | | 1 | | | | | |
| 18a | Wing Nut | M6, SS | 7E12-0600 | 2 | 2 | 2 | 2 | 2 | 2 | | | | | |
| 19 | Packing | | 327040-01 | 1 | 1 | 1 | 1 | 1 | 1 | | | | | |
| 20 | Fan Motor | | 440917-01 | 1 | 1 | 1 | 1 | 1 | 1 | | | | | |
| 20a | Screw | | 436863-01 | 3 | 3 | 3 | 3 | 3 | 3 | | | | | |
| 21 | Fan Blade | | 434959-01 | 1 | 1 | 1 | 1 | 1 | 1 | | | | | |
| 21a | Hex Nut | | 4A1345-01 | 1 | 1 | 1 | 1 | 1 | 1 | | | | | |
| 21b | Washer | | 435983-01 | 1 | 1 | 1 | 1 | 1 | 1 | | | | | |
| 22 | Main Transformer | F-2000MRH3 | 2U0128-01 | 1 | 1 | 1 | 1 | 1 | 1 | | | | | |

B. Ice Making Unit

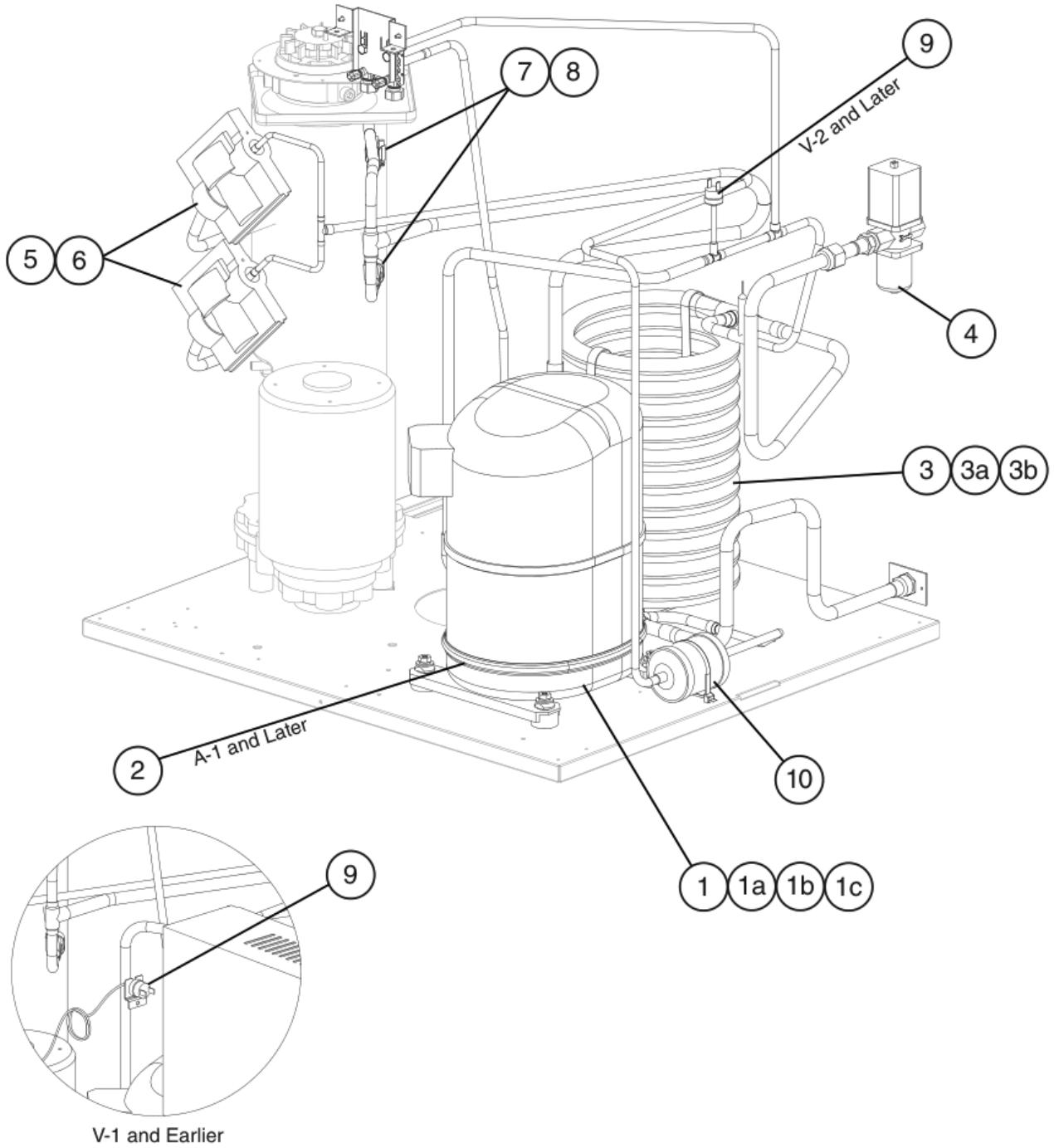
F-2000MWH, F-2000MRH(3)(-C), F-2000MLH

L-0 to B-1



| Title: B. Ice Making Unit Model: F-2000MWH, F-2000MRH(3)-C, F-2000MLH | | | | | | | | | | | |
|---|--|--|---------------------------|-----------------|------------|--|--|--|--|--|--|
| Index No. | Description | Material or Model Number | Part Number | Required Number | | | | | | | |
| | | | | L-0 to U-1 | V-0 to B-1 | | | | | | |
| | Ice Making Unit Order Assembly Parts Individually | F-2000MWH F-2000MRH F-2000MRH3 F-2000MLH | 3A3061A01 | 1 | 1 | | | | | | |
| | | F-2000MRH-C | 3A3061A02 | 1 | 1 | | | | | | |
| 1 | Gear Motor (for mounting hardware see section "A" items 1 and 2) | | 2U0129-01 | 1 | 1 | | | | | | |
| 2 | Coupling | | 420372-01 | 1 | 1 | | | | | | |
| 3 | Housing | | 206509G02 | 1 | 1 | | | | | | |
| 3a | Hex Head Bolt | 8x25, SS | 7B02-0825 | 6 | 6 | | | | | | |
| 3b | Washer | M8, SS | 7W22-0800 | 6 | 6 | | | | | | |
| 3c | Split Lock Washer | M8, SS | 7L22-0800 | 6 | 6 | | | | | | |
| 4 | "O" Ring | | 7616-G090 | 1 | - | | | | | | |
| | | | 4A4755-04 | | 1 | | | | | | |
| 5 | Mechanical Seal | | 432493-01 | 1 | 1 | | | | | | |
| 6 | Auger | | 120864G02 | 1 | 1 | | | | | | |
| 7 | Evaporator | | 228196G01 | 1 | - | | | | | | |
| | | | 228196G06 | | 1 | | | | | | |
| 7a | Socket Head Cap Screw | 10x20, SS | 7S12-1020 | 4 | 4 | | | | | | |
| 7b | Split Lock Washer | M10, SS | 7L22-1000 | 4 | 4 | | | | | | |
| 8 | Extruding Head | F-2000MWH F-2000MRH F-2000MRH3 F-2000MLH | 216407G01 | 1 | 1 | | | | | | |
| | | F-2000MRH-C | 2A1594G01 | 1 | 1 | | | | | | |
| 8a | Seal Bolt | M10, SS | 474757G01 | 3 | 3 | | | | | | |
| 8b | Washer | | 425277-01 | 3 | - | | | | | | |
| 9 | Cutter | F-2000MWH F-2000MRH F-2000MRH3 F-2000MLH | 327026-01 | 2 | 2 | | | | | | |
| | | F-2000MRH-C | 315736G01 | 1 | 1 | | | | | | |
| 9a | Hex Head Bolt | F-2000MWH F-2000MRH F-2000MRH3 F-2000MLH 10x35, SS | 7B02-1035 | 1 | 1 | | | | | | |
| 9b | Split Lock Washer | F-2000MWH F-2000MRH F-2000MRH3 F-2000MLH M10, SS | 7L22-1000 | 1 | 1 | | | | | | |
| 10 | Dowel Pin | F-2000MWH F-2000MRH F-2000MRH3 F-2000MLH | 713S-0526 | 1 | 1 | | | | | | |
| 11 | Heater | F-2000MRH-C | 4A4335-01 | 1 | 1 | | | | | | |
| 12 | Flange | | 352714-01 | | 1 | | | | | | |

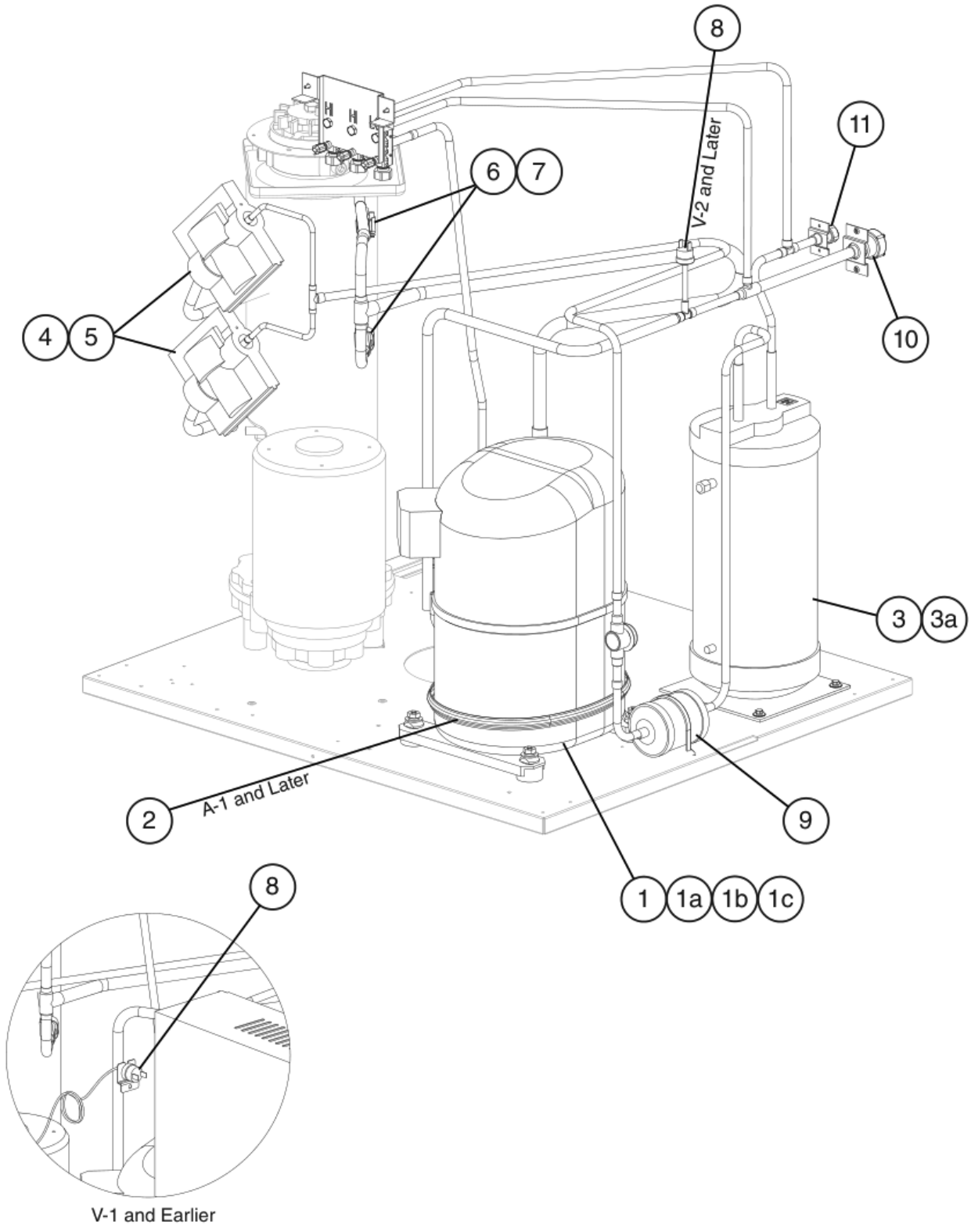
C. Refrigeration Circuit
F-2000MWH
L-0 to B-1



Title: **C. Refrigeration Circuit** Model: **F-2000MWH**

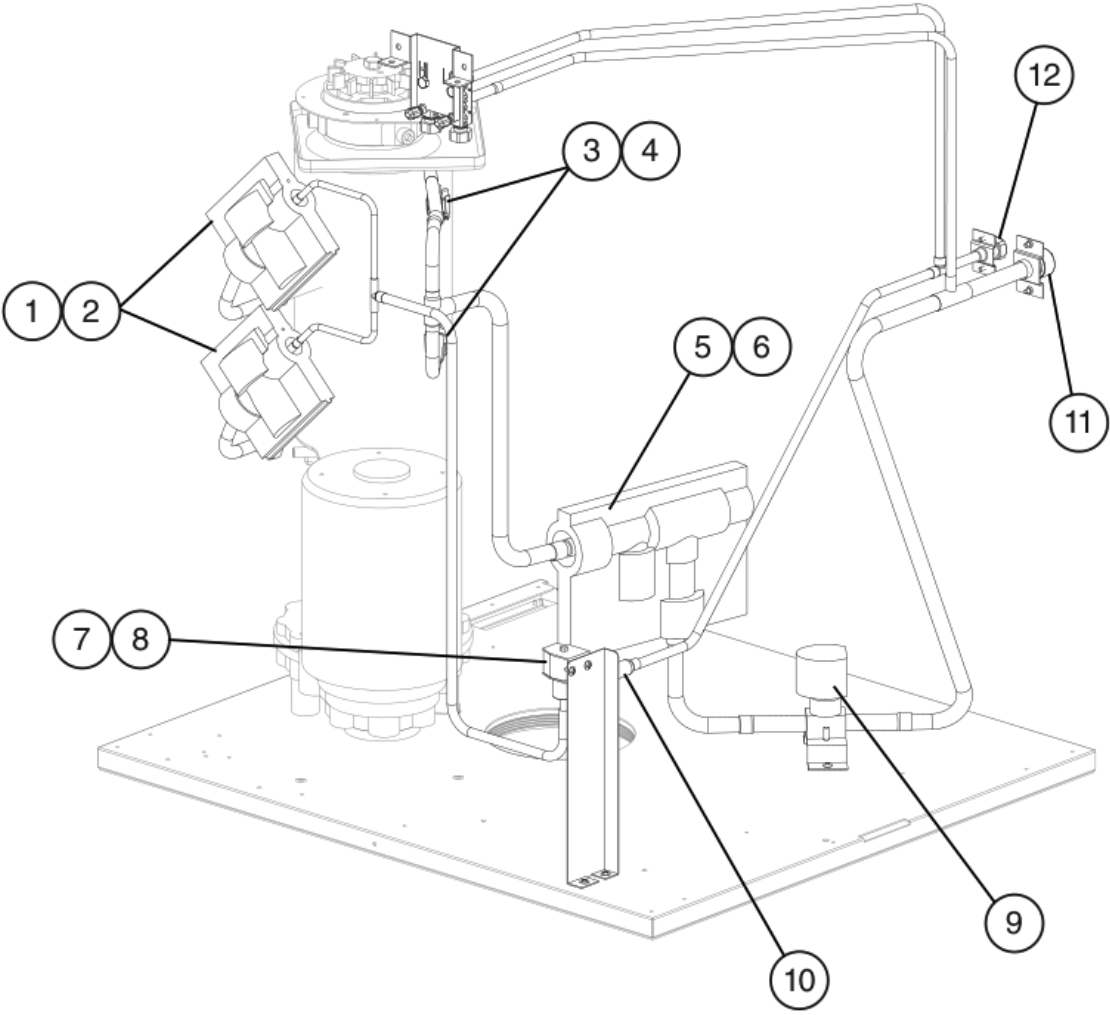
| Index No. | Description | Material or Model Number | Part Number | Required Number | | | | | | | | | | |
|--|--|--------------------------|---------------------------|-----------------|------------|------------|---------|------------|--|--|--|--|--|--|
| | | | | L-0 | M-0 to R-0 | S-0 to V-1 | V-2 A-0 | A-1 to B-1 | | | | | | |
| Refrigeration Circuit Order Assembly Parts Individually | | | 108794A01 | 1 | - | | | | | | | | | |
| | | | 1A0673A01 | | 1 | - | | | | | | | | |
| | | | 1A1216A01 | | | 1 | - | | | | | | | |
| | | | 1A2093A01 | | | | 1 | 1 | | | | | | |
| 1 | Compressor (A-1 and later utilize external crankcase heater - item 2) | | 4A1420-02 | 1 | 1 | 1 | 1 | - | | | | | | |
| | | | 4A4890-01 | | | | | 1 | | | | | | |
| 1a | Grommet | | 434922-01 | 4 | 4 | 4 | 4 | 4 | | | | | | |
| 1b | Spacer | | 434921-01 | 4 | 4 | 4 | 4 | 4 | | | | | | |
| 1c | Bolt | | 437889-01 | 4 | 4 | 4 | 4 | 4 | | | | | | |
| 2 | Crankcase Heater | | 434186-01 | | | | | 1 | | | | | | |
| 3 | Condenser | HS-0164 | 2A0931-02 | 1 | - | | | | | | | | | |
| | | | 2A2359G05 | | 1 | 1 | 1 | 1 | | | | | | |
| 3a | Hex Head Bolt w/Washer | 5x16, SS | 7B0230516 | 3 | 2 | 2 | 2 | 2 | | | | | | |
| 3b | Washer | | 7W22-0600 | 3 | 2 | 2 | 2 | 2 | | | | | | |
| 4 | Water Regulating Valve | | 4A1417-01 | 1 | 1 | 1 | 1 | 1 | | | | | | |
| 5 | Thermostatic Expansion Valve | | 4A1117-01 | 2 | 2 | 2 | 2 | 2 | | | | | | |
| 6 | Thermostatic Expansion Valve Cover | | 4A1168-01 | 2 | 2 | 2 | 2 | 2 | | | | | | |
| 7 | Thermostatic Expansion Valve Bulb Holder | | 3A0112-01 | 2 | 2 | 2 | 2 | 2 | | | | | | |
| 8 | Clamp | | 443461-01 | 2 | 2 | 2 | 2 | 2 | | | | | | |
| 9 | High-Pressure Switch | | 433441-05 | 1 | 1 | 1 | - | | | | | | | |
| | | | 463180-05 | | | | 1 | 1 | | | | | | |
| 10 | Drier | | 4A1338-01 | 1 | 1 | 1 | 1 | 1 | | | | | | |

C. Refrigeration Circuit
F-2000MRH(3)(-C)
 L-0 to B-1



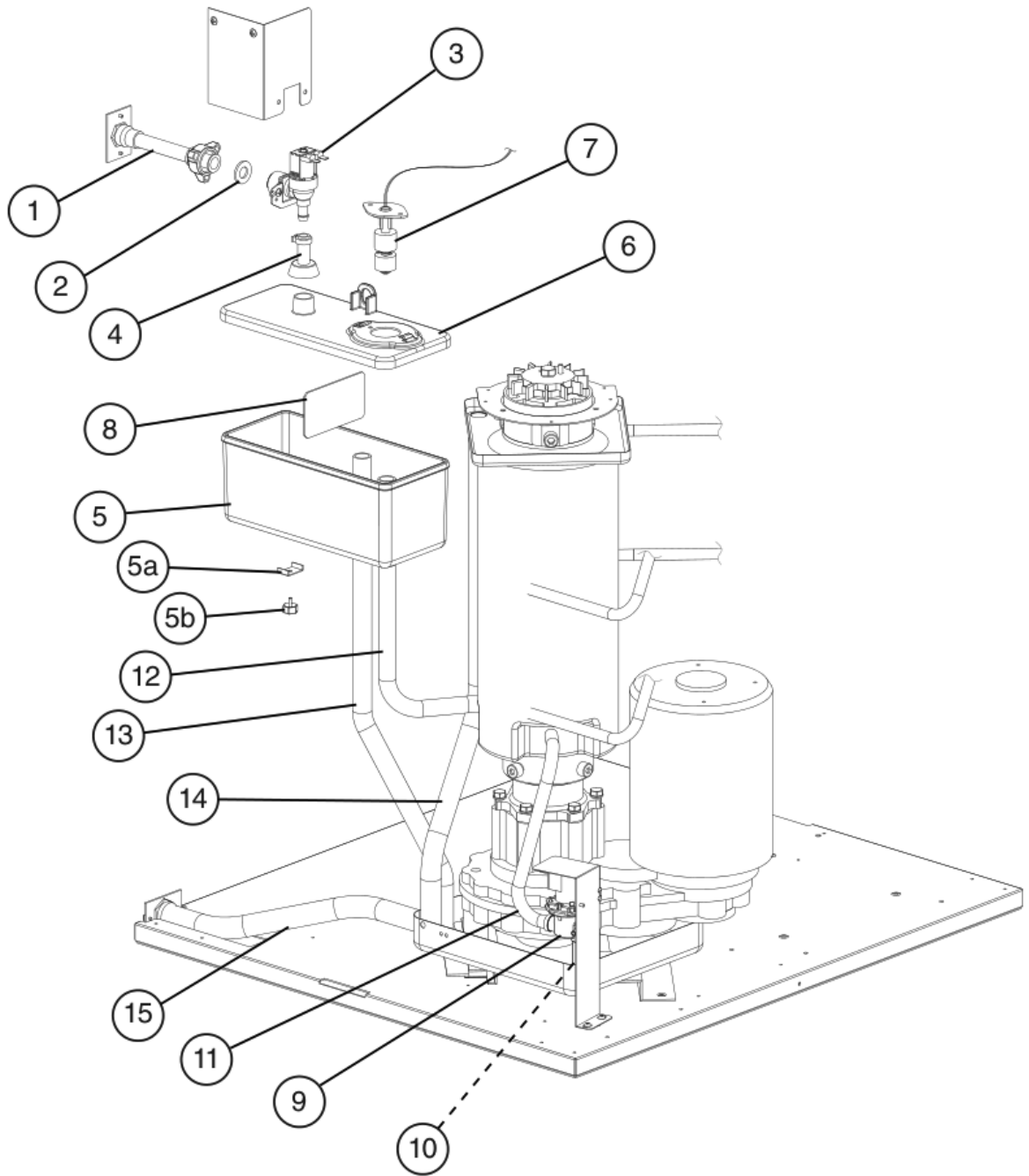
| Title: C. Refrigeration Circuit Model: F-2000MRH(3)(-C) | | | | | | | | | | | | | | |
|--|--|----------------------------------|---------------------------|-----------------|---------|------------|------------|------------|---|--|--|--|--|--|
| Index No. | Description | Material or Model Number | Part Number | Required Number | | | | | | | | | | |
| | | | | L-0 to R-0 | S-0 T-0 | T-1 to V-1 | V-2 to A-0 | A-1 to B-1 | | | | | | |
| Refrigeration Circuit Order Assembly Parts Individually | | F-2000MRH F-2000MRH-C | 108791A01 | 1 | - | | | | | | | | | |
| | | | 1A1217A01 | | 1 | - | | | | | | | | |
| | | | 1A1576A01 | | | 1 | - | | | | | | | |
| | | | 1A2094A01 | | | | 1 | 1 | | | | | | |
| | | F-2000MRH3 | 108791A02 | 1 | - | | | | | | | | | |
| | | | 1A1217A02 | | 1 | - | | | | | | | | |
| | | | 1A1576A02 | | | 1 | - | | | | | | | |
| | | | 1A2094A02 | | | | | 1 | 1 | | | | | |
| 1 | Compressor (A-1 and later utilize external crankcase heater - item 2) | F-2000MRH F-2000MRH-C | 4A1420-02 | 1 | 1 | 1 | 1 | - | | | | | | |
| | | | 4A4890-01 | | | | | 1 | | | | | | |
| | | F-2000MRH3 | 4A1419-02 | 1 | 1 | 1 | 1 | - | | | | | | |
| | | | 4A4891-01 | | | | | 1 | | | | | | |
| 1a | Grommet | | 434922-01 | 4 | 4 | 4 | 4 | 4 | | | | | | |
| 1b | Spacer | | 434921-01 | 4 | 4 | 4 | 4 | 4 | | | | | | |
| 1c | Bolt | | 437889-01 | 4 | 4 | 4 | 4 | 4 | | | | | | |
| 2 | Crankcase Heater | | 434186-01 | | | | | 1 | | | | | | |
| 3 | Receiver | | 438209-01 | 1 | 1 | 1 | 1 | 1 | | | | | | |
| 3a | Hex Head Bolt w/Washer | 5x10, SS | 7B0230510 | 3 | 3 | 3 | 3 | 3 | | | | | | |
| 4 | Thermostatic Expansion Valve | | 4A1117-01 | 2 | 2 | 2 | 2 | 2 | | | | | | |
| 5 | Thermostatic Expansion Valve Cover | | 4A1168-01 | 2 | 2 | 2 | 2 | 2 | | | | | | |
| 6 | Thermostatic Expansion Valve Bulb Holder | | 3A0112-01 | 2 | 2 | 2 | 2 | 2 | | | | | | |
| 7 | Clamp | | 443461-01 | 2 | 2 | 2 | 2 | 2 | | | | | | |
| 8 | High-Pressure Switch | | 433441-05 | 1 | 1 | 1 | - | | | | | | | |
| | | | 463180-05 | | | | 1 | 1 | | | | | | |
| 9 | Drier | | 4A1338-01 | 1 | 1 | 1 | 1 | 1 | | | | | | |
| 10 | Discharge Line Coupling | | 434072-01 | 1 | 1 | 1 | 1 | 1 | | | | | | |
| 11 | Liquid Line Coupling | | 426554-01 | 1 | 1 | 1 | 1 | 1 | | | | | | |

C. Refrigeration Circuit
F-2000MLH
M-0 to B-1



| Title: C. Refrigeration Circuit Model: F-2000MLH | | | | | | | | | | | | |
|--|---|--------------------------|-------------|-----------------|----------------|------------|--|--|--|--|--|--|
| Index No. | Description | Material or Model Number | Part Number | Required Number | | | | | | | | |
| | | | | M-0 to Q-0 (K) | Q-0 (L) to R-0 | S-0 to B-1 | | | | | | |
| Refrigeration Circuit Order Assembly Parts Individually | | | 108798A01 | 1 | 1 | - | | | | | | |
| | | | 1A1219A01 | | | 1 | | | | | | |
| 1 | Thermostatic Expansion Valve | | 4A1117-01 | 2 | 2 | 2 | | | | | | |
| 2 | Thermostatic Expansion Valve Cover | | 4A1168-01 | 2 | 2 | 2 | | | | | | |
| 3 | Thermostatic Expansion Valve Bulb Holder | | 3A0112-01 | 2 | 2 | 2 | | | | | | |
| 4 | Clamp | | 443461-01 | 2 | 2 | 2 | | | | | | |
| 5 | EPR (Evaporator Pressure Regulator) Valve | | 446872-02 | 1 | 1 | 1 | | | | | | |
| 6 | EPR (Evaporator Pressure Regulator) Valve Cover | | 340434-01 | 1 | 1 | 1 | | | | | | |
| 7 | Liquid Line Valve Body | | 440352-01 | 1 | - | | | | | | | |
| | | | 4A3276-01 | | 1 | 1 | | | | | | |
| 8 | Valve Coil | | 440353-01 | 1 | - | | | | | | | |
| | | | 4A3277-01 | | 1 | 1 | | | | | | |
| 9 | Suction Line Valve | | 446873-01 | 1 | 1 | 1 | | | | | | |
| 10 | Strainer | | 4A1385-01 | 1 | 1 | 1 | | | | | | |
| 11 | Suction Line Coupling | | 448569-01 | 1 | 1 | 1 | | | | | | |
| 12 | Liquid Line Coupling | | 426554-01 | 1 | 1 | 1 | | | | | | |

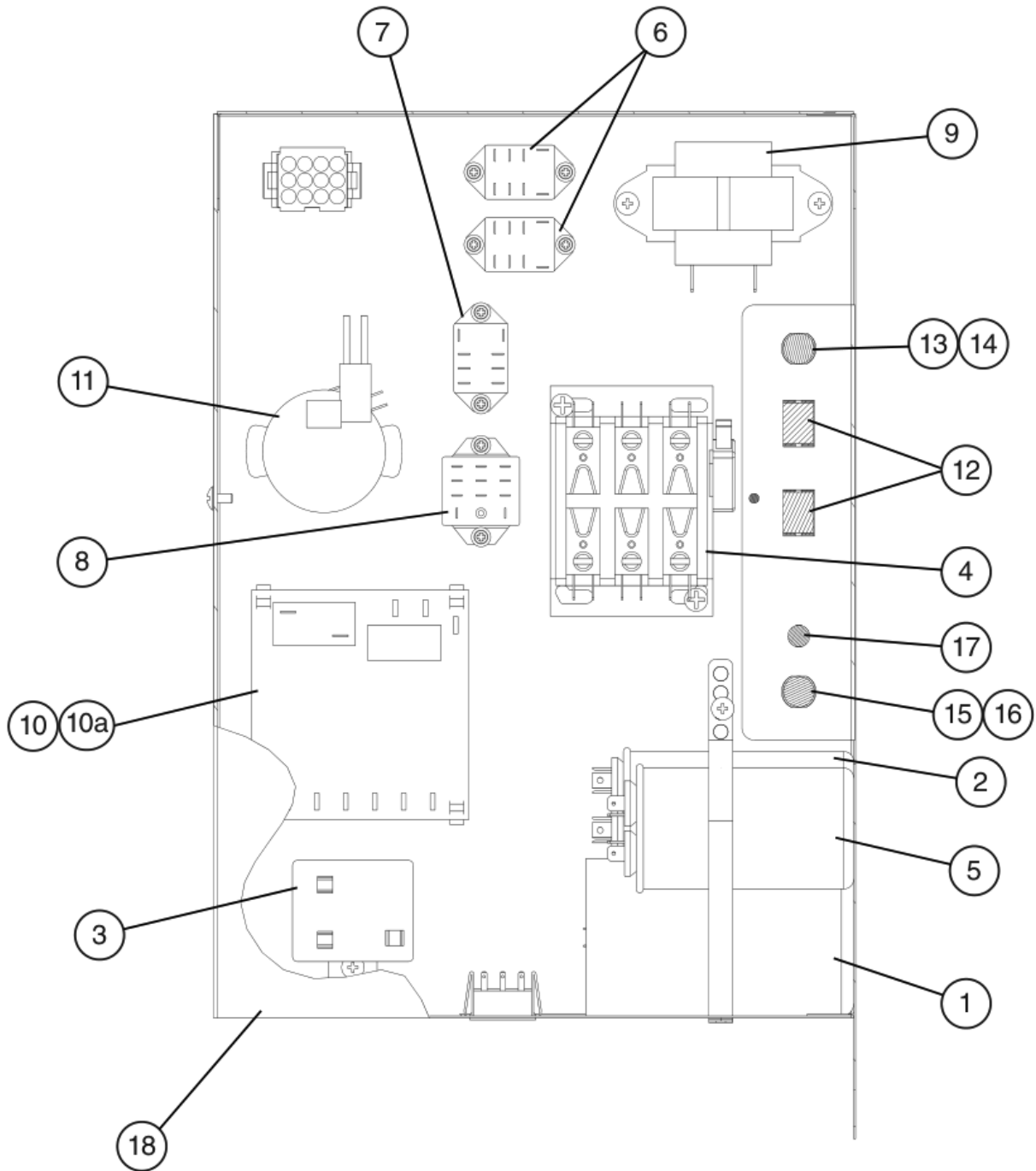
D. Water Circuit
F-2000MWH, F-2000MRH(3)(-C), F-2000MLH
L-0 to B-1



Title: **D. Water Circuit** Model: **F-2000MWH, F-2000MRH(3)(-C), F-2000MLH**

| Index No. | Description | Material or Model Number | Part Number | Required Number | | | | | | | | | | |
|--|---------------------|--------------------------|-------------|-----------------|------------|------------|-----|---|--|--|--|--|--|--|
| | | | | L-0 | M-0 to P-0 | P-1 to B-0 | B-1 | | | | | | | |
| Water Circuit Order Assembly Parts Individually | | | HS-0115 | 108790A01 | 1 | - | | | | | | | | |
| | | | | 1A0734A01 | | 1 | 1 | - | | | | | | |
| | | | | 1A0734A02 | | | | 1 | | | | | | |
| 1 | Water Supply Pipe | | 4A0891G01 | 1 | 1 | 1 | - | | | | | | | |
| | | | | 4A0891G02 | | | | 1 | | | | | | |
| 2 | Washer | | 4A0867-01 | 1 | 1 | 1 | 1 | | | | | | | |
| 3 | Inlet Water Valve | | 4A0865-01 | 1 | 1 | 1 | - | | | | | | | |
| | | | | 4A5309-01 | | | | 1 | | | | | | |
| 4 | Reservoir Inlet | | 4A0869-01 | 1 | 1 | 1 | 1 | | | | | | | |
| 5 | Reservoir | | 208125-01 | 1 | 1 | 1 | 1 | | | | | | | |
| 5a | Collar | | 423416-03 | 1 | 1 | 1 | 1 | | | | | | | |
| 5b | Thumbscrew | | 415949G04 | 1 | 1 | 1 | 1 | | | | | | | |
| 6 | Reservoir Cover | | 208126-01 | 1 | 1 | 1 | 1 | | | | | | | |
| 7 | Float Switch | | 435490-01 | 1 | 1 | 1 | 1 | | | | | | | |
| 8 | Reservoir Separator | | 423538-02 | 1 | 1 | 1 | 1 | | | | | | | |
| 9 | Drain Valve | | 4A2077-01 | 1 | - | | | | | | | | | |
| | | | | 4A2772-01 | | 1 | 1 | 1 | | | | | | |
| 10 | Hose | L=45 | 7716-0913 | 1 | 1 | 1 | 1 | | | | | | | |
| 11 | Vinyl Hose | L=370 | 7725-0912 | 1 | - | | | | | | | | | |
| | | | | 7730I3896 | | 1 | 1 | 1 | | | | | | |
| 12 | Silicone Hose | L=260 | 7730-1519 | 1 | 1 | 1 | 1 | | | | | | | |
| 13 | Silicone Hose | L=520 | 7730-1721 | 1 | 1 | - | | | | | | | | |
| | | | | 7730-1822 | | | 1 | - | | | | | | |
| | | | | 7725-1923 | | | | 1 | | | | | | |
| 14 | Vinyl Hose | L=650 | 7725-1923 | 1 | 1 | 1 | 1 | | | | | | | |
| 15 | Vinyl Hose | L=320 | 7716-2025 | 1 | 1 | 1 | 1 | | | | | | | |
| Hose Clamps | | | | | | | | | | | | | | |
| | Hose Clamp | 13.5-15.1mm | 4A2017-08 | 4 | 4 | 4 | 4 | | | | | | | |
| | Hose Clamp | 17.1-20.6mm | 4A2017-05 | 2 | 2 | 2 | 2 | | | | | | | |
| | Hose Clamp | 21.2-26.2mm | 4A2017-01 | 2 | 2 | 2 | - | | | | | | | |
| | Hose Clamp | 26.2-30.2mm | 4A2017-02 | 1 | 1 | 1 | - | | | | | | | |

E. Control Box Assembly
F-2000MWH, F-2000MRH(3)(-C), F-2000MLH
L-0 to B-1



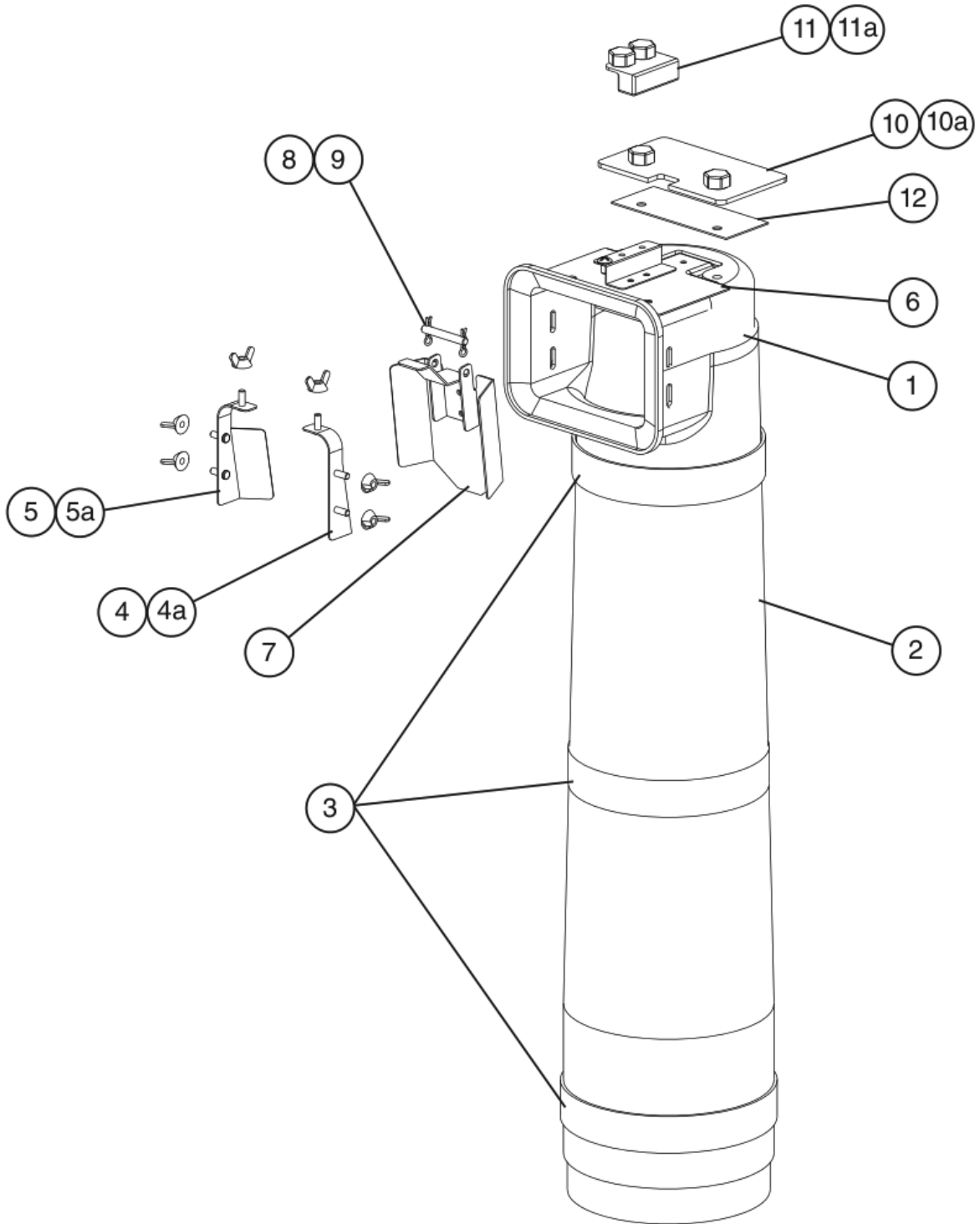
| Title: E. Control Box Assembly Model: F-2000MWH, F-2000MRH(3)(-C), F-2000MLH | | | | | | | | | | | | | | |
|--|---|--|--|---|---------------------------|----------------|------------|------------|------------|---|---|--|--|--|
| Index No. | Description | Material or Model Number | Part Number | Required Number | | | | | | | | | | |
| | | | | L-0 | M-0 to Q-0 (E) | Q-0 (F) to T-0 | T-1 to V-1 | V-2 to V-3 | A-0 to B-1 | | | | | |
| Control Box Assembly Order Assembly Parts Individually | | F-2000MWH F-2000MRH F-2000MRH-C | 227632A03 | 1 | 1 | - | | | | | | | | |
| | | | 227632A05 | | | 1 | - | | | | | | | |
| | | | 2A4672A01 | | | | 1 | - | | | | | | |
| | | | 2A4672A03 | | | | | | 1 | 1 | | | | |
| | | F-2000MRH3 | 227634A02 | 1 | 1 | - | | | | | | | | |
| | | | 227634A03 | | | 1 | - | | | | | | | |
| | | | 2A4673A01 | | | | 1 | - | | | | | | |
| | | | 2A4673A02 | | | | | | 1 | 1 | | | | |
| | | F-2000MLH | 227632A04 | | 1 | - | | | | | | | | |
| | | | 227632A06 | | | 1 | - | | | | | | | |
| | | | 2A4672A02 | | | | 1 | - | | | | | | |
| | | | 2A4672A04 | | | | | | 1 | 1 | | | | |
| | | 1 | Start Capacitor | F-2000MWH F-2000MRH F-2000MRH-C 189-227MFD, 330VAC | 3A0076-12 | 1 | 1 | 1 | 1 | 1 | 1 | | | |
| 2 | Run Capacitor | F-2000MWH F-2000MRH F-2000MRH-C 40MFD, 370VAC | 439943-09 3A2005-13 | 1 | - | | | | | | | | | |
| 3 | Start Relay (starter) | F-2000MWH F-2000MRH F-2000MRH-C | 4A1107-09 | 1 | 1 | 1 | 1 | 1 | 1 | | | | | |
| 4 | Magnetic Contactor | F-2000MWH F-2000MRH F-2000MRH3 F-2000MRH-C | 4A0794-01 | 1 | 1 | 1 | 1 | 1 | 1 | | | | | |
| 5 | Gear Motor Capacitor | 65MFD, 250VAC | 441021-01 | 1 | 1 | 1 | 1 | 1 | 1 | | | | | |
| 6 | Water Control Relay and Spout Control Relay (V-1 and earlier) | 24VAC | 406132-06 | 2 | 2 | 2 | 2 | 1 | 1 | | | | | |
| 7 | Circuit Protect Relay | F-2000MWH F-2000MRH F-2000MRH-C F-2000MLH 220/240VAC | 418271-05 | 1 | 1 | 1 | 1 | 1 | 1 | | | | | |
| 8 | Gear Motor Protect Relay | 120VAC | 418179-03 | 1 | 1 | 1 | 1 | 1 | 1 | | | | | |
| 9 | Control Transformer | | 4A0557-01 | 1 | 1 | 1 | 1 | 1 | 1 | | | | | |
| 10 | Control Board | | 437305-01 | 1 | 1 | 1 | 1 | 1 | 1 | | | | | |
| 10a | Control Board Support | | 4A0336-03 | 4 | 4 | 4 | 4 | 4 | 4 | | | | | |
| 11 | Flush (Drain) Timer | | 4A0889-01 | 1 | 1 | 1 | 1 | 1 | 1 | | | | | |
| 12 | Flush (Drain) Switch and Power Switch | | 4A0558-01 | 2 | 2 | 2 | 2 | 2 | 2 | | | | | |
| 13 | Fuse Holder | | 4A5443-01 | 1 | 1 | 1 | 1 | 1 | 1 | | | | | |
| 14 | Fuse | 1A, 250VAC | 4A0893-01 | 1 | 1 | 1 | 1 | 1 | 1 | | | | | |

| Title: E. Control Box Assembly Model: F-2000MWH, F-2000MRH(3)(-C), F-2000MLH | | | | | | | | | | | | |
|--|-------------------|--------------------------|-------------|-----------------|----------------|----------------|------------|---------|------------|--|--|--|
| Index No. | Description | Material or Model Number | Part Number | Required Number | | | | | | | | |
| | | | | L-0 | M-0 to Q-0 (E) | Q-0 (F) to T-0 | T-1 to V-1 | V-2 V-3 | A-0 to B-1 | | | |
| 15 | Protector | | 440972-01 | 1 | 1 | - | | | | | | |
| | Fuse Holder | | 4A0892-02 | | | 1 | 1 | 1 | - | | | |
| | | | 4A3449-02 | | | | | | 1 | | | |
| 16 | Fuse | 7A, 125VAC | 4A3804-01 | | | 1 | 1 | 1 | 1 | | | |
| 17 | Lamp | | 4A1821-01 | 1 | - | | | | | | | |
| | | | 4A2672-01 | | 1 | 1 | 1 | - | | | | |
| 18 | Control Box Cover | | 340314-01 | 1 | 1 | 1 | 1 | 1 | 1 | | | |

F. Chute Assembly

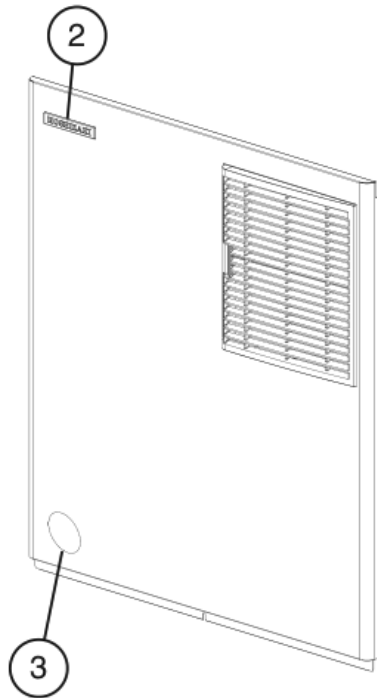
F-2000MWH, F-2000MRH(3)(-C), F-2000MLH

L-0 to B-1



| Title: F. Chute Assembly Model: F-2000MWH, F-2000MRH(3)(-C), F-2000MLH | | | | | | | | | | | |
|--|------------------|--------------------------|-------------|-----------------|------------|--|--|--|--|--|--|
| Index No. | Description | Material or Model Number | Part Number | Required Number | | | | | | | |
| | | | | L-0 to T-0 | T-1 to B-1 | | | | | | |
| Chute Assembly Order Assembly Parts Individually | | HS-0116 | 2A1705A01 | 1 | 1 | | | | | | |
| 1 | Chute | | 216219-01 | 1 | 1 | | | | | | |
| 2 | Chute Insulation | | 216220-01 | 1 | 1 | | | | | | |
| 3 | Tie | | 436531G02 | 3 | 3 | | | | | | |
| 4 | Chute Baffle A | | 341012G01 | 1 | 1 | | | | | | |
| 4a | Wing Nut | | 7E12-0400 | 3 | 3 | | | | | | |
| 5 | Chute Baffle B | | 341013G01 | 1 | 1 | | | | | | |
| 5a | Wing Nut | | 7E12-0400 | 3 | 3 | | | | | | |
| 6 | Bin Control | | 3A1744G01 | 1 | 1 | | | | | | |
| 7 | Actuator | | 436848G02 | 1 | 1 | | | | | | |
| 8 | Shaft | | 436851-01 | 1 | 1 | | | | | | |
| 9 | Snap Pin | | 715S-0005 | 2 | 2 | | | | | | |
| 10 | Plate | | 4A2039-01 | 1 | 1 | | | | | | |
| 10a | Thumbscrew | | 415949G10 | 2 | 2 | | | | | | |
| 11 | Proximity Switch | | 4A2033-01 | 1 | 1 | | | | | | |
| 11a | Thumbscrew | | 415949G08 | 2 | 2 | | | | | | |
| 12 | Packing | | 441217-01 | 1 | - | | | | | | |

G. Accessories, Labels, & Packaging
F-2000MWH, F-2000MRH(3)(-C), F-2000MLH
 L-0 to B-1



| Title: G. Accessories, Labels, & Packaging | | Model: F-2000MWH, F-2000MRH(3)(-C), F-2000MLH | | Required Number | | | | | | | | |
|--|------------------------|---|-------------|-----------------|--|--|--|--|--|--|--|--|
| Index No. | Description | Material or Model Number | Part Number | L-0 to B-1 | | | | | | | | |
| 1 | Universal Brace | | 4A0363-01 | 2 | | | | | | | | |
| 1a | Hex Head Bolt | 5x12, SS | 7B02-0512 | 2 | | | | | | | | |
| 2 | Hoshizaki Emblem Label | | 4A0560-01 | 1 | | | | | | | | |
| 3 | Penguin Label | | 4A0526-01 | 1 | | | | | | | | |
| | Packaging | | 1A0531A10 | | | | | | | | | |