



HOSHIZAKI

Parts List

Modular Flaker

Models

F-330BAK(-C)



hoshizakiamerica.com

Number: 71451
Issued: 8-11-2025
Revised: 11-18-2025

CONTENTS

Auxiliary Codes.....	3
Note About Ordering Parts	3
A. Main Assembly & Refrigeration Circuit	4
B. Icemaking Unit	7
C. Water Circuit.....	9
D. Control Box Assembly.....	11
E. Accessories & Labels	12

Auxiliary Codes

F-330BAK

P-0 September 2024

F-330BAK-C

TBD

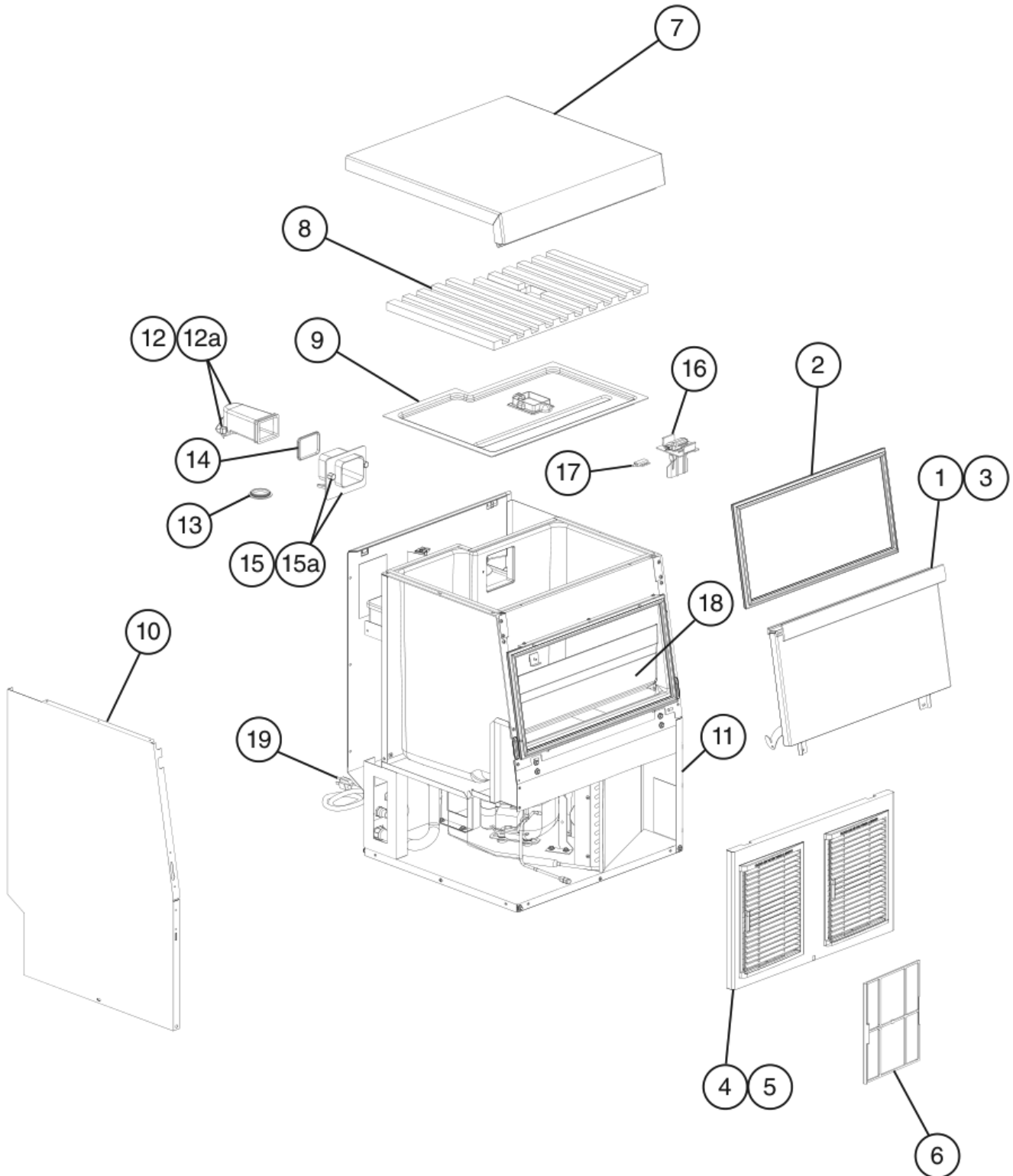
Auxiliary Code Breakdown

The auxiliary code is the first two characters in the serial number. The first character indicates the year. Years progress or regress in alphabetical order. The series runs from "A" through "V" and the letters "I" and "O" are skipped. The second character indicates significant part changes within a year. Base is "0" and this number advances for each change. In cases where there is a letter in parentheses, this designates the month. This is the last character in the serial number. The series runs from "(A)" through "(M)" and the letter "(I)" is skipped. This designation is only included when identifying a parts change within an auxiliary code.

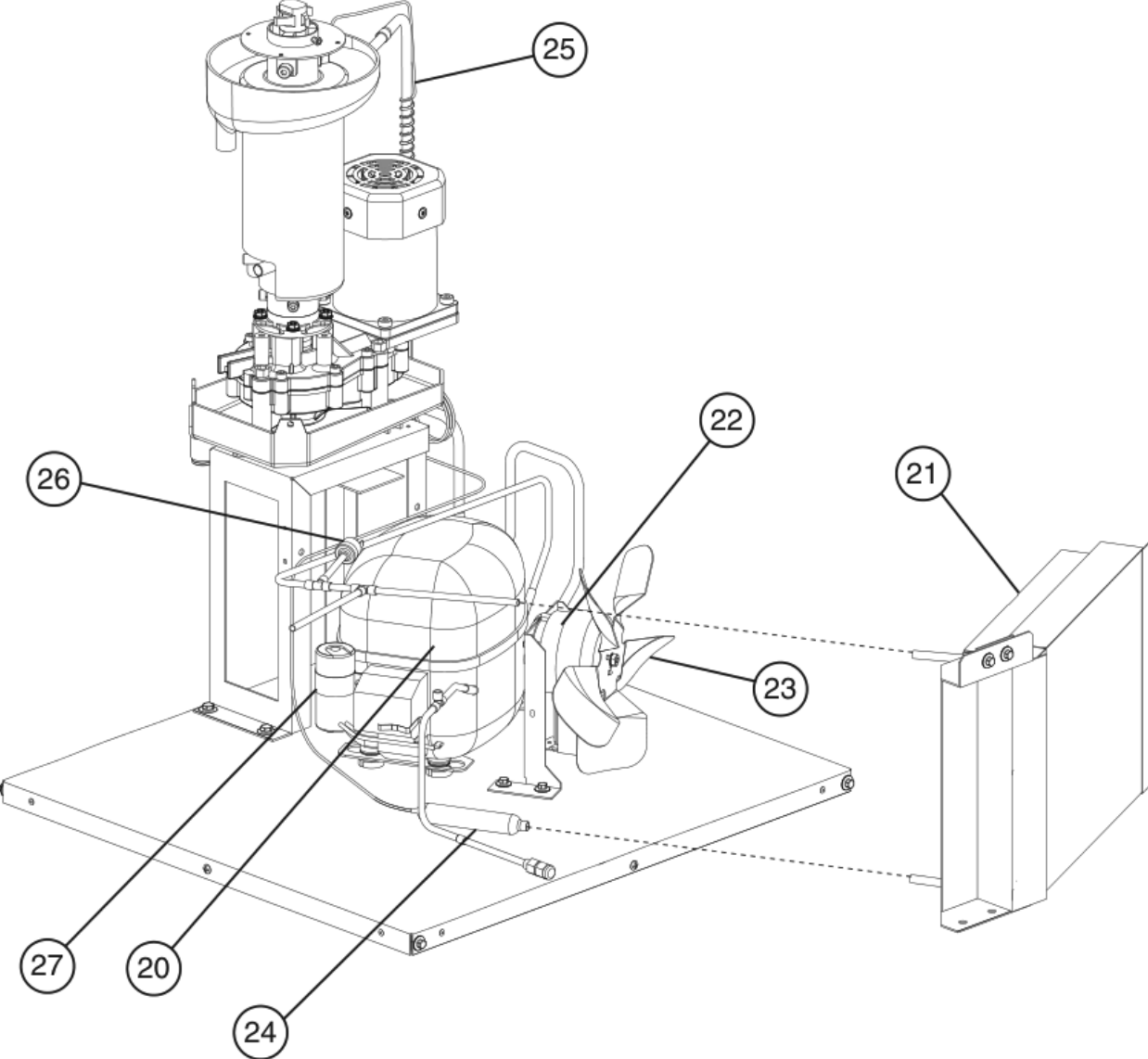
Note About Ordering Parts

Most assemblies cannot be ordered as complete units; parts in the assemblies generally must be ordered separately.

A. Main Assembly & Refrigeration Circuit
F-330BAK(-C)
1/2
P-0, Q-0



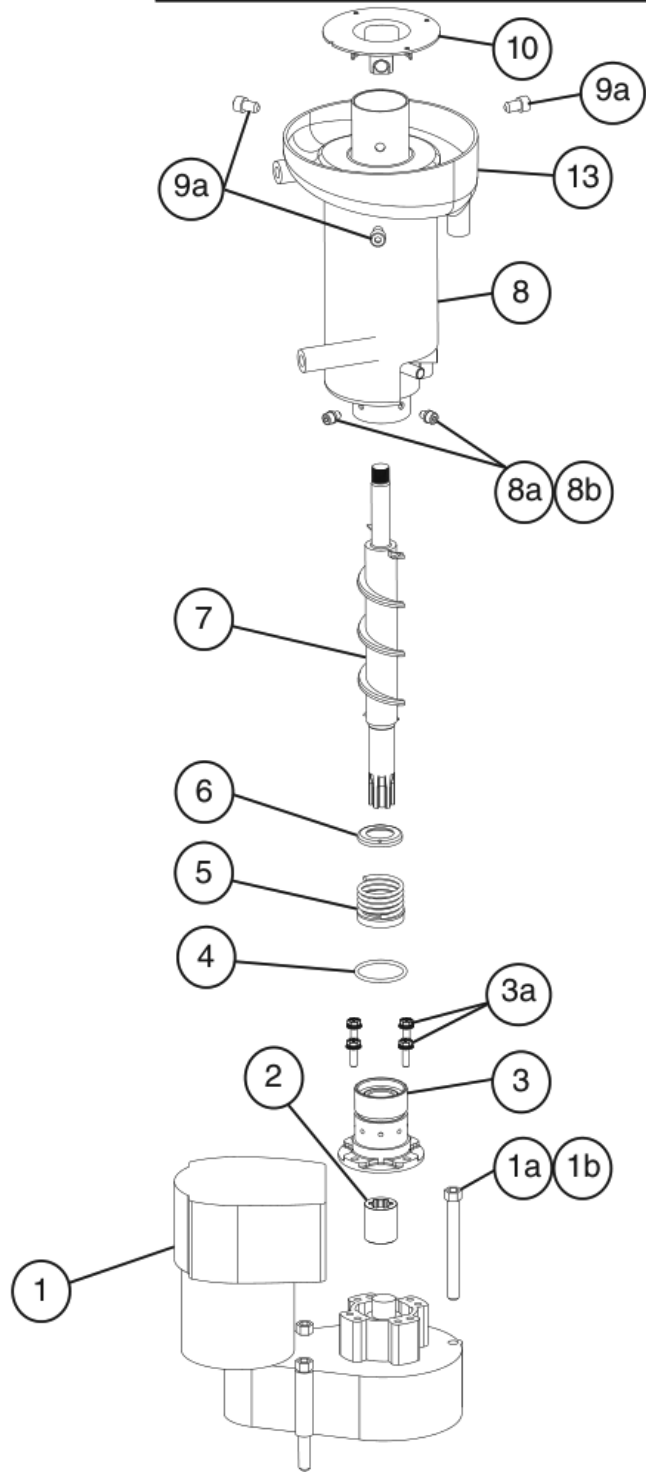
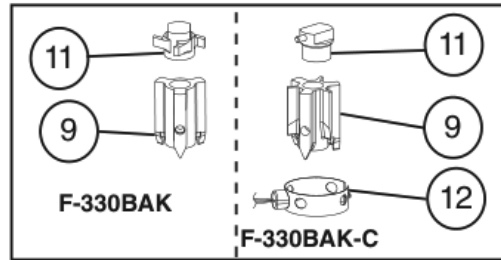
A. Main Assembly & Refrigeration Circuit
F-330BAK(-C)
2/2
P-0, Q-0



Title: A. Main Assembly & Refrigeration Circuit Model: F-330BAK(-C)

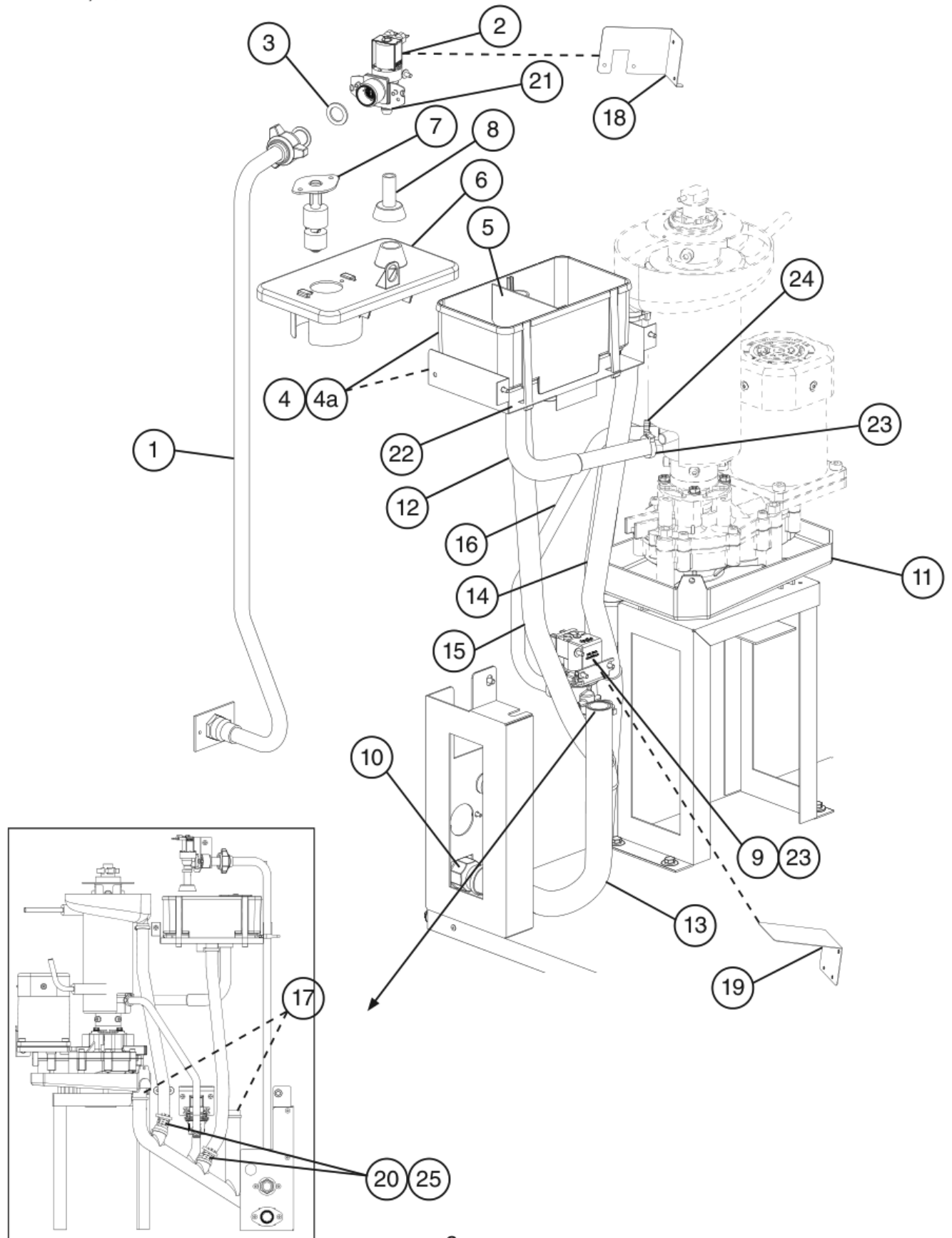
Index No.	Description	Material or Model Number	Part Number	Required Number							
				P-0	Q-0						
Main Assembly											
1	Door Panel Assembly		1A6924G01	1							
2	Door Gasket		2A6198-01	1							
3	Door Handle		2A3361-01	1							
4	Front Panel		1A6919-01	1							
5	Louver		1A0548-01	2							
6	Air Filter Assembly		2A6649A02	1							
7	Top Panel		1A6921-01	1							
8	Top Insulation		1A1304-01	1							
9	Upper Panel		1A1303-01	1							
10	Left Side Panel		2A4079-01	1							
11	Right Side Panel		2A4080-01	1							
12	Spout (A)		208791-02	1							
12a	Thumbscrew		415949G11	3							
13	Packing		427151-01	1							
14	Spout Packing (A)		453663-01	1							
15	Spout (B)		232654-03	1							
15a	Thumbscrew		415949G11	2							
16	Bin Control Actuator Assembly		350301A02	1							
17	Bin Control Proximity Switch		P02304-01	1							
18	Slope		2A4259-01	1							
19	Power Supply Cord		4A5718-01	1							
Refrigeration Circuit											
20	Compressor		4A7385-01	1							
21	Condenser		3A4309-01	1							
22	Fan Motor		4A0408-01	1							
23	Fan Blade		3A0608-01	1							
24	Drier		445655-04	1							
25	Heat Exchanger		2B1011G01	1							
26	High-Pressure Switch		4A6039-02	1							
27	Start Capacitor		4A7404-01	1							

B. Icemaking Unit
F-330BAK(-C)
P-0, Q-0



Title: B. Icemaking Unit Model: F-330BAK(-C)												
Index No.	Description	Material or Model Number	Part Number	Required Number								
				P-0	Q-0							
1	Gear Motor		4A5855-01	1								
1a	Socket Head Cap Screw		7S12-0895	3								
1b	Split Lock Washer	M8, SS	7L22-0800	3								
2	Spline Coupling		418316-01	1								
3	Housing		383613G01	1								
3a	Bolt		4A1989-01	4								
4	O-Ring		4A4755-01	1								
5	Mechanical Seal		432491-03	1								
6	Ring (B)		432494-01	1								
7	Auger		269909G01	1								
8	Evaporator		2A7797G02	1								
8a	Split Lock Washer	M6, SS	7L22-0600	4								
8b	Socket Head Cap Screw	6×10, SS	4A7498-01	4								
9	Extruding Head	F-330BAK	287850G01	1								
		F-330BAK-C	287849G03	1								
9a	Seal Bolt		P01768-02	3								
10	Flange		464843-01	1								
11	Cutter	F-330BAK	453790-01	1								
		F-330BAK-C	439228G01	1								
12	Evaporator Heater	F-330BAK-C	4A4375-01	1								
13	Drip Pan		2A4118-01	1								

C. Water Circuit
F-330BAK(-C)
P-0, Q-0



Title: C. Water Circuit Model: F-330BAK(-C)

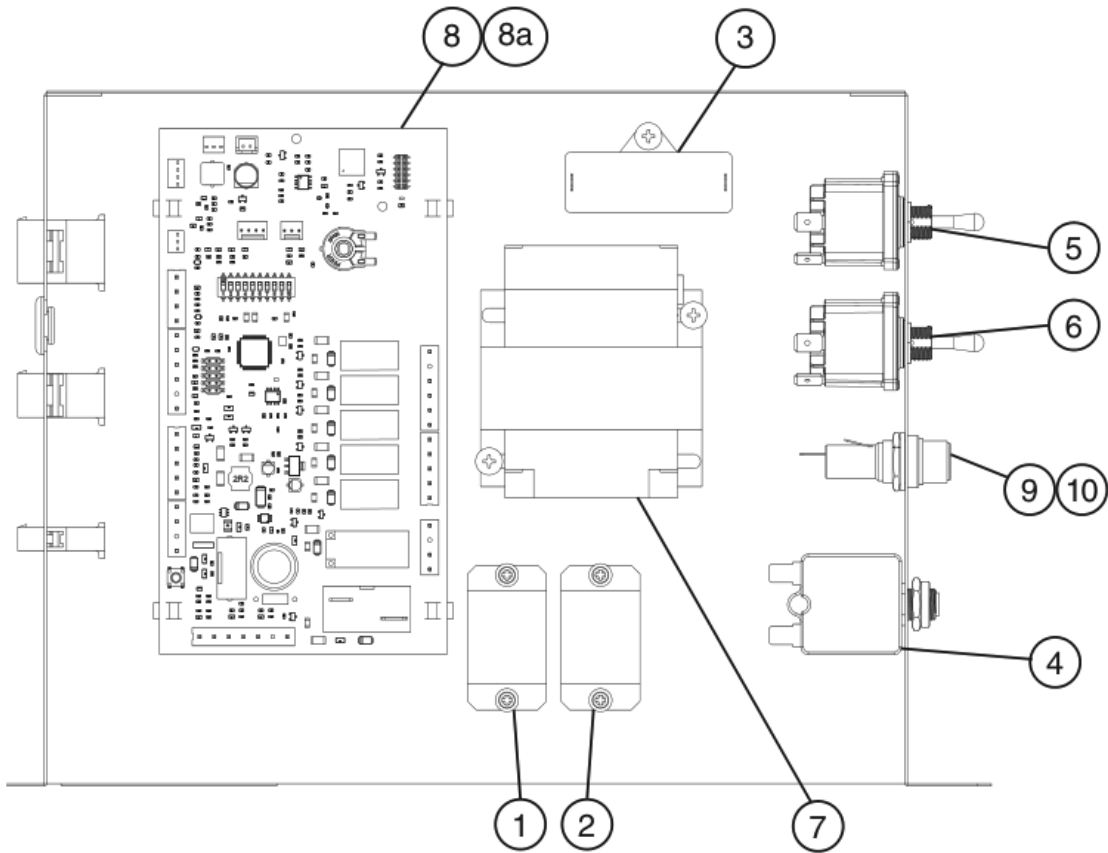
Index No.	Description	Material or Model Number	Part Number	Required Number																
				P-0	Q-0															
1	Water Supply Pipe		3A4298G02	1																
2	Inlet Water Valve	S-30	4A5309-01	1																
3	Washer		413854-03	1																
4	Reservoir		2A0753-01	1																
4a	Reservoir Bracket		3A4299-01	1																
5	Reservoir Separator		4A1255-01	1																
6	Reservoir Cover		214810-01	1																
7	Float Switch Assembly		3B1240G01	1																
8	Reservoir Inlet		4A0869-01	1																
9	Drain Valve		4A2772-02	1																
10	Drain Fitting		4A5527-01	1																
11	Drain Pan		323765G01	1																
12	Reservoir Hose		4A1165-13	1																
13	Drain Hose		3A8113-01	1																
14	Vinyl Hose (drip pan hose)	L= 475 mm	7725B1923	1																
15	Vinyl Hose (reservoir overflow)	L= 460 mm	7725B1923	1																
16	Silicone Hose (evaporator drain)	L= 390 mm	7730I3896	1																
17	Vinyl Hose	L= 30 mm	7716B2025	2																
18	Inlet Valve Bracket Cover		3A6395-01	1																
19	Drain Valve Bracket Cover		4A4230-01	1																
20	Barb Fitting		2A8823-03	2																

Hose Clamps										
21	Hose Clamp	13.5-15 mm	4A2017-08	1						
22	Hose Clamp	21-26 mm	4A2017-01	1						
23	Hose Clamp	17-21 mm	4A2017-05	1						
24	Hose Clamp	15-17 mm	4A2017-07	3						
25	Hose Clamp		4A2017-02	2						

D. Control Box Assembly

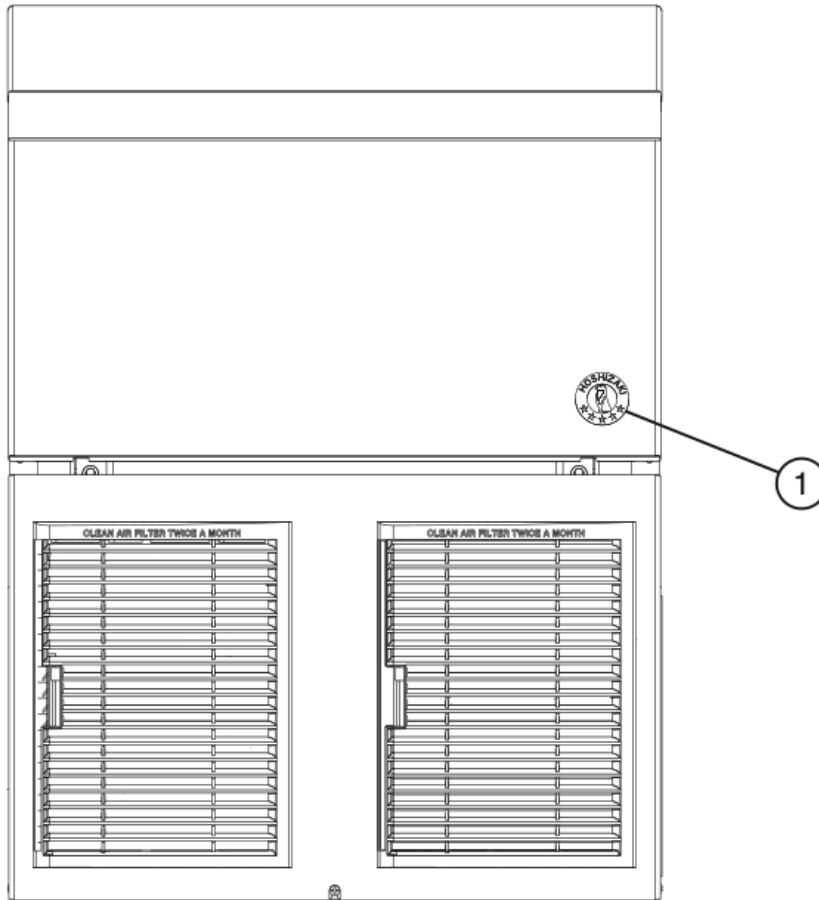
F-330BAK(-C)

P-0, Q-0



Title: D. Control Box Assembly Model: F-330BAK(-C)					Required Number											
Index No.	Description	Material or Model Number	Part Number	P-0 Q-0												
1	Compressor Control Relay	F-330BAK	4A7047-03	1												
2	Evaporator Heater Relay	F-330BAK-C	4A7047-03	1												
3	Gear Motor Capacitor	10MFD, 250VAC	4A6435-01	1												
4	Circuit Breaker (gear motor external protector)		4A7448-01	1												
5	Control Switch		4A7449-02	1												
6	Power Switch		4A7449-02	1												
7	Control Transformer		4A0507-01	1												
8	Control Board		2A9874-03	1												
8a	Control Board Support		4A0336-03	4												
9	Fuse Holder		4A5443-01	1												
10	Fuse	AGC-3A, 250VAC	4A0893-03	1												

E. Accessories & Labels
F-330BAK(-C)
 P-0, Q-0



Title: E. Accessories & Labels		Model: F-330BAK(-C)		Required Number							
Index No.	Description	Material or Model Number	Part Number	P-0							
				Q-0							
1	Penguin Label		47552L01	1							
2	Scoop		2X4119P01	1							