



HOSHIZAKI

Parts List

Modular Flaker

Models

F-422MAK(-C)

F-622MAK-C



hoshizakiamerica.com

Number: 71456
Issued: 9-5-2025

CONTENTS

Auxiliary Codes.....	3
Note About Ordering Parts	3
A. Main Assembly & Refrigeration Circuit	4
F-422MAK(-C)	4
F-622MAK-C	8
B. Icemaking Unit	11
F-422MAK(-C)	11
F-622MAK-C	12
C. Water Circuit.....	14
D. Control Box Assembly.....	16
E. Accessories & Labels	18

Auxiliary Codes

F-422MAK

TBD

F-422MAK-C

Q-0 January 2025

F-622MAK-C

Q-0 April 2025

Auxiliary Code Breakdown

The auxiliary code is the first two characters in the serial number. The first character indicates the year. Years progress or regress in alphabetical order. The series runs from "A" through "V" and the letters "I" and "O" are skipped. The second character indicates significant part changes within a year. Base is "0" and this number advances for each change. In cases where there is a letter in parentheses, this designates the month. This is the last character in the serial number. The series runs from "(A)" through "(M)" and the letter "(I)" is skipped. This designation is only included when identifying a parts change within an auxiliary code.

Note About Ordering Parts

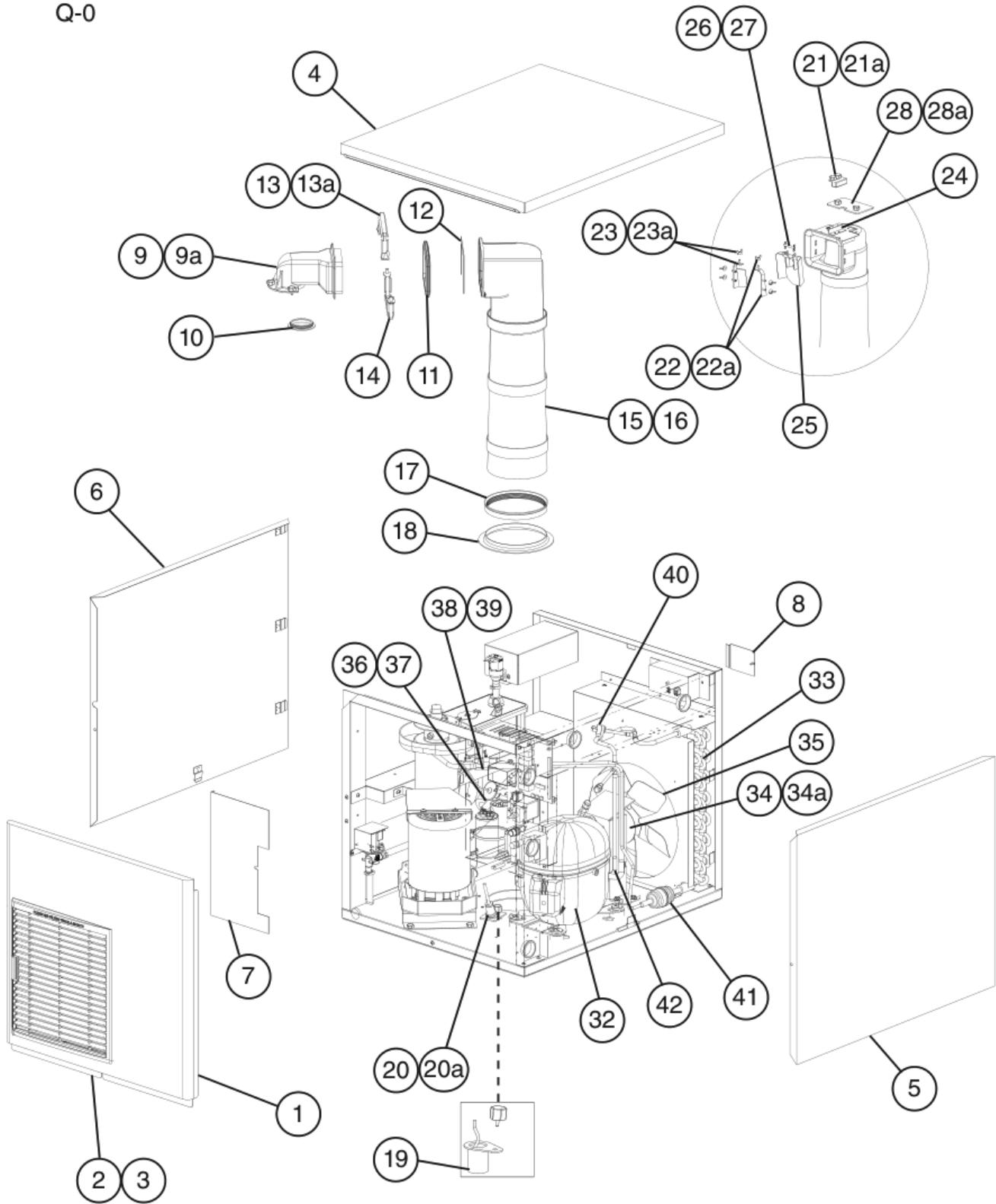
Most assemblies cannot be ordered as complete units; parts in the assemblies generally must be ordered separately.

A. Main Assembly & Refrigeration Circuit

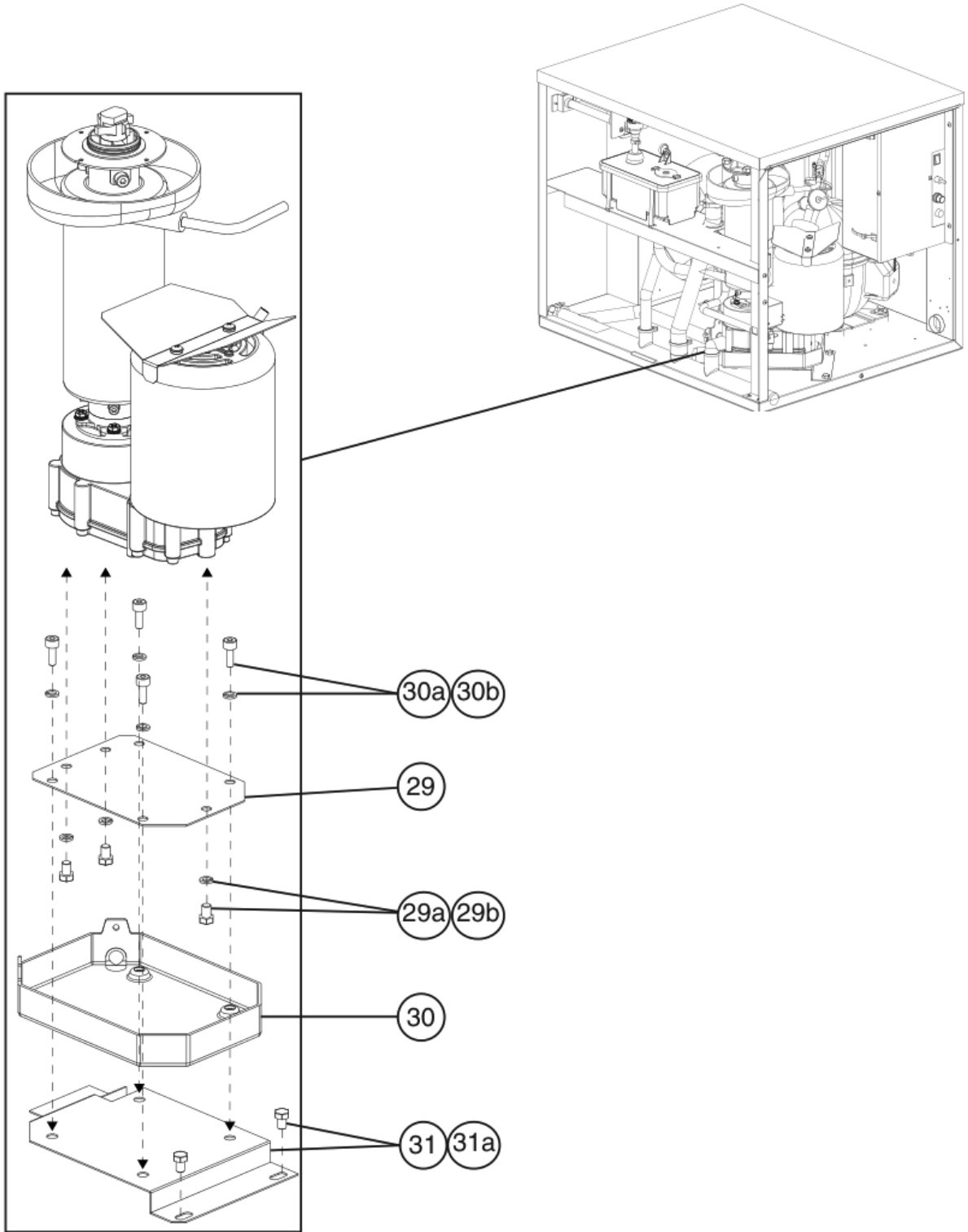
F-422MAK(-C)

1/2

Q-0



A. Main Assembly & Refrigeration Circuit
F-422MAK(-C)
2/2
Q-0

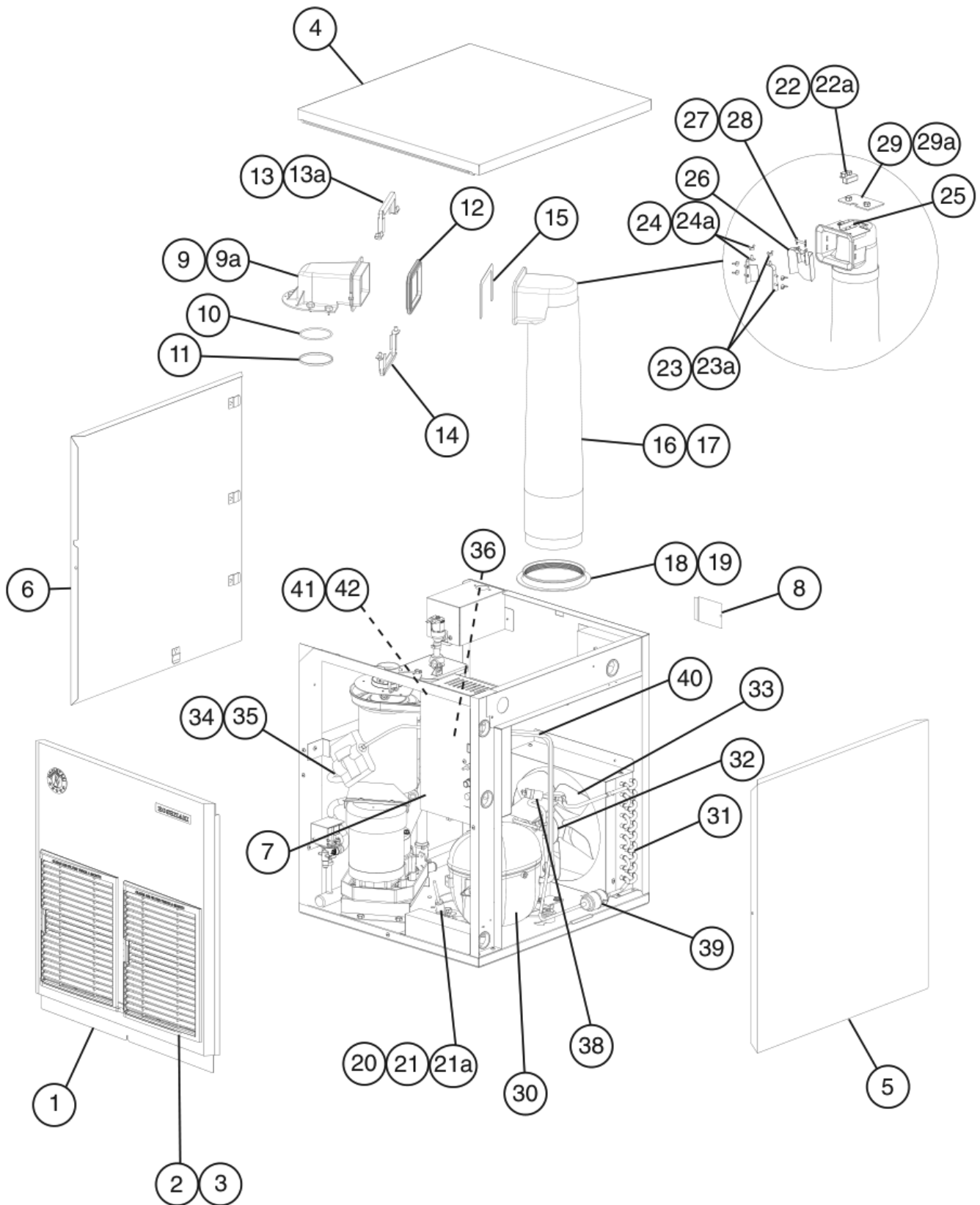


Title: A. Main Assembly & Refrigeration Circuit Model: F-422MAK(-C)

Index No.	Description	Material or Model Number	Part Number	Required Number																
				Q-0																
1	Front Panel Assembly (includes items 2 and 3)		1A8331A01	1																
2	Louver		1A0547-01	1																
3	Air Filter		2A2062G01	1																
4	Top Panel		2A2064-02	1																
5	Right Side Panel		2A2067G01	1																
6	Left Side Panel		2A2066G01	1																
7	Control Box Cover		3B1302-01	1																
8	Junction Box Cover		433410-01	1																
9	Spout		2A0915-01	1																
9a	Thumbscrew		415949G08	3																
10	Evaporator Packing		427151-01	1																
11	Spout-to-Chute Packing		321037-01	1																
12	Spout-to-Chute Bracket		4A1712-01	1																
13	Upper Spout Strap		328703-02	1																
13a	Wing Nut		7E12-0600	2																
14	Lower Strap		321038G02	1																
15	Chute		2A1308-01	1																
16	Chute Insulation		2A0989-01	1																
17	Chute Packing		432877-01	1																
18	Ring		3A1017-01	1																
19	Bin Control - Ultrasonic Sensor		4A6148G01	1																
20	Sensor Housing		1A6270-01	1																
20a	Thumbscrew		415949G10	1																
21	Bin Control 2 Proximity Switch (mechanical bin control)		4A2033-01	1																
21a	Thumbscrew		415949G10	2																
22	Chute Baffle A		3A0400G01	1																
22a	Wing Nut		7E12-0400	3																
23	Chute Baffle B		3A0399G01	1																
23a	Wing Nut		7E12-0400	3																
24	Bin Control 2 Bracket (mechanical bin control)		3A1744G01	1																
25	Actuator		436848G01	1																
26	Shaft		436851-01	1																
27	Snap Pin		715S-0005	1																
28	Plate		4A2039-01	1																
28a	Thumbscrew		415949G10	2																
29	Gear Motor Mounting Bracket		4A4308-01	1																
29a	Hex Bolt	8x12, SS	7B02-0812	3																
29b	Split Lock Washer	M8, SS	7L22-0800	3																
30	Drain Pan Assembly		4A4354G01	1																
30a	Socket Head Cap Screw	8x20, SS	7S12-0820	4																
30b	Split Lock Washer	M8, SS	7L22-0800	4																
31	Drain Pan Mounting Bracket		4A4314G01	1																
31a	Hex Bolt		7B02-0812	2																

Title: A. Main Assembly & Refrigeration Circuit Model: F-422MAK(-C)												
Index No.	Description	Material or Model Number	Part Number	Q-0	Required Number							
Refrigeration Circuit												
32	Compressor		4A7571-01	1								
33	Condenser		2B1076-01	1								
34	Fan Motor		4A3158-01	1								
34a	Self-Locking Nut		7N2110832	4								
35	Fan Blade		444898-01	1								
36	Thermostatic Expansion Valve		4A7388-04	1								
37	Thermostatic Expansion Valve Cover		4A7233-01	1								
38	Thermostatic Expansion Valve Bulb Holder		4A7659-01	1								
39	Clamp		443461-01	1								
40	High-Pressure Switch		4A6039-02	1								
41	Drier		4A1113-01	1								
42	Heat Exchanger		3B2168G01	1								
43	Thermistor		429006-05	1								
44	Thermistor Holder		436455-01	1								

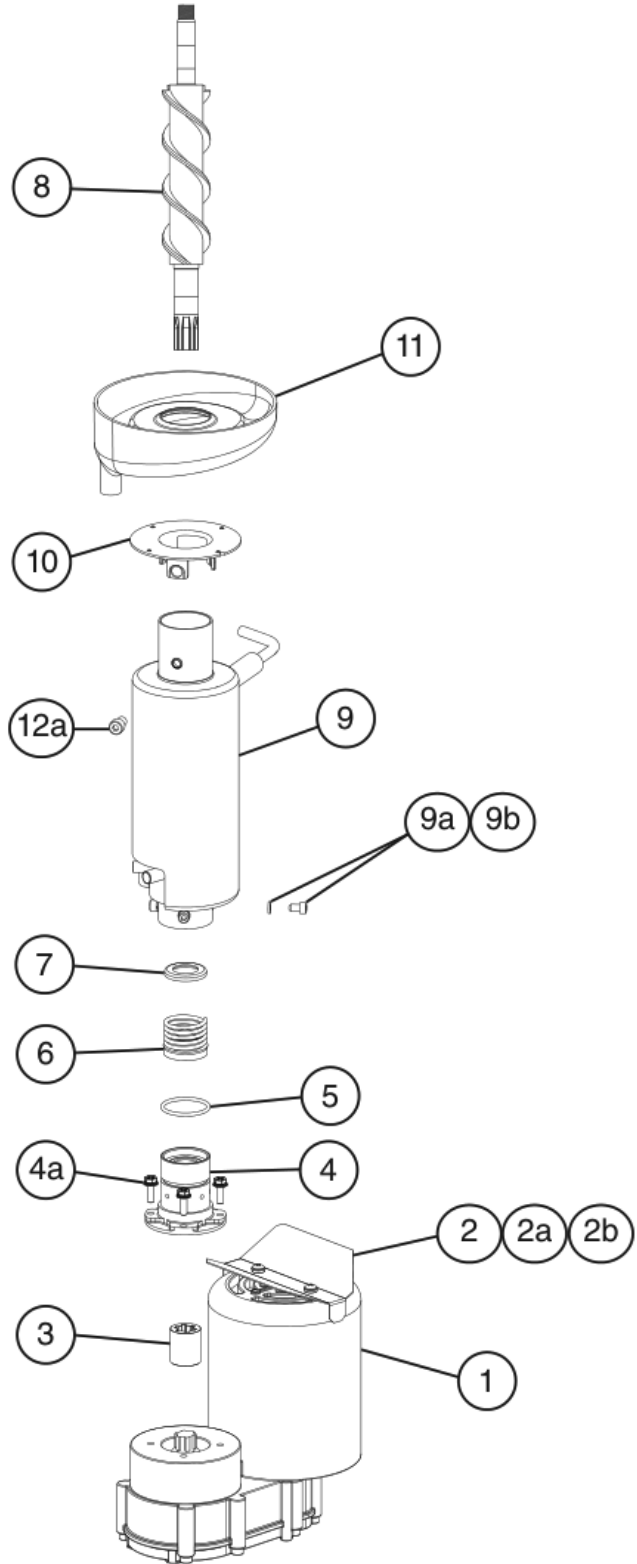
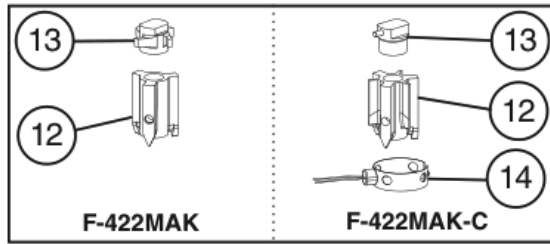
A. Main Assembly & Refrigeration Circuit
F-622MAK-C
 Q-0



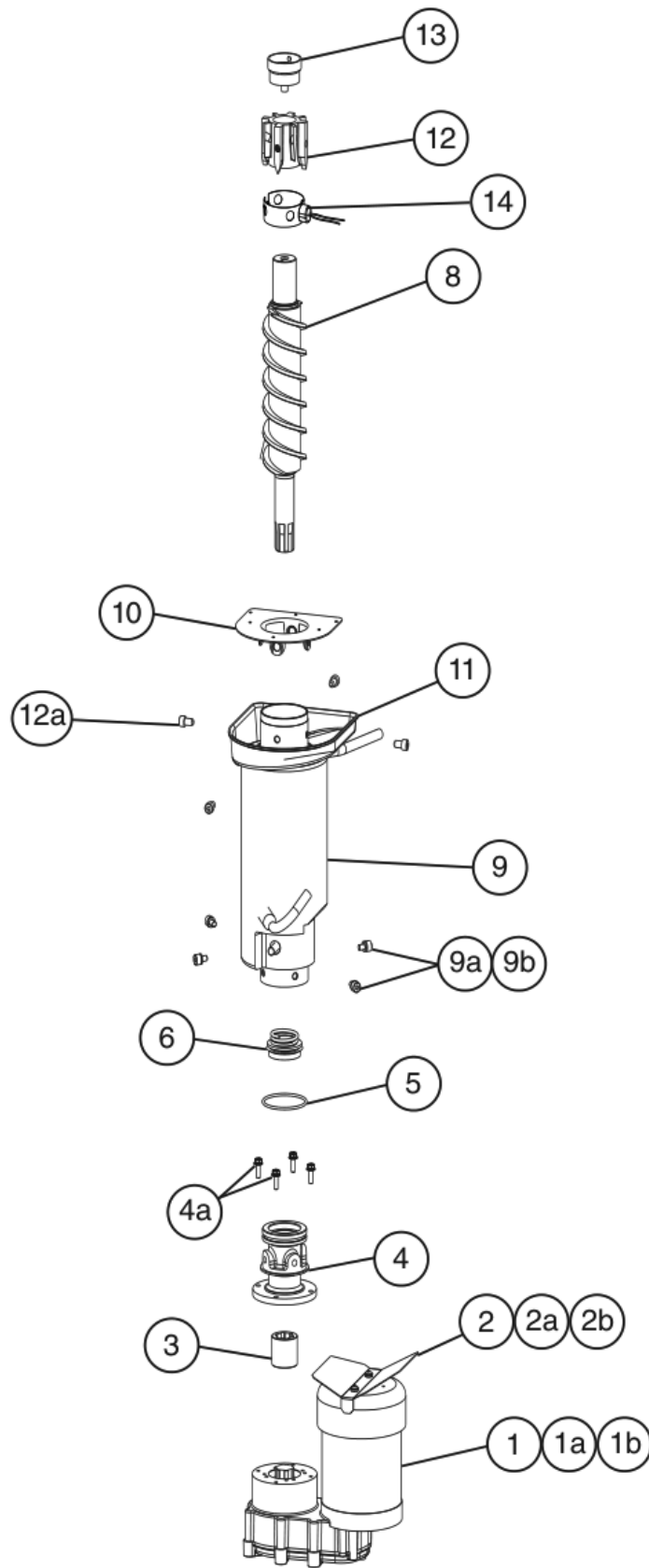
Title: A. Main Assembly & Refrigeration Circuit Model: F-622MAK-C											
Index No.	Description	Material or Model Number	Part Number	Required Number							
				Q-0							
Main Assembly											
1	Front Panel (includes items 2 and 3)		1A8332A01	1							
2	Louver		1A0548-01	2							
3	Air Filter		2A2063G01	2							
4	Top Panel		2A7090-01	1							
5	Right Side Panel		2A4432G01	1							
6	Left Side Panel		2A3897G01	1							
7	Control Box Cover		3B1302-01	1							
8	Junction Box Cover		433410-01	1							
9	Spout		104797-01	1							
9a	Thumbscrew		415949G10	5							
10	O-Ring		4A4755-03	1							
11	Nylon Ring		432661-02	1							
12	Spout-to-Chute Packing		321037-01	1							
13	Upper Spout Strap		328703-02	1							
13a	Wing Nut		7E12-0600	2							
14	Lower Spout Strap		321038G02	1							
15	Spout-to-Chute Bracket		4A1712-01	1							
16	Chute		2A1919-01	1							
17	Chute Insulation		2A1920-01	1							
18	Chute Packing		432877-01	1							
19	Ring		3A1017-01	1							
20	Bin Control - Ultrasonic Sensor		4A6148G01	1							
21	Ultrasonic Sensor Housing		1A6270-01	1							
21a	Thumbscrew		415949G10	1							
22	Bin Control 2 Proximity Switch (mechanical bin control)		4A2033-01	1							
22a	Thumbscrew		415949G10	2							
23	Chute Baffle A		3A0400G01	1							
23a	Wing Nut		7E12-0400	3							
24	Chute Baffle B		3A0399G01	1							
24a	Wing Nut		7E12-0400	3							
25	Bin Control 2 Bracket (mechanical bin control)		3A1744G01	1							
26	Actuator		436848G01	1							
27	Shaft		436851-01	1							
28	Snap Pin		715S-0005	2							
29	Plate		4A2039-01	1							
29a	Thumbscrew		415949G10	2							

Title: A. Main Assembly & Refrigeration Circuit Model: F-622MAK-C												
Index No.	Description	Material or Model Number	Part Number	Required Number								
				Q-0								
Refrigeration Circuit												
30	Compressor		4A7571-01	1								
31	Condenser		2B1076-01	1								
32	Fan Motor		4A3158-01	1								
33	Fan Blade		444898-01	1								
34	Thermostatic Expansion Valve		4A7388-03	1								
35	Thermostatic Expansion Valve Cover		4A7233-01	1								
36	Thermostatic Expansion Valve Bulb Holder		4A7659-02	1								
37	Clamp		4A7759-01	1								
38	High-Pressure Switch		4A6039-02	1								
39	Drier		4A1113-01	1								
40	Heat Exchanger		2B1271G01	1								
41	Thermistor		429006-05	1								
42	Thermistor Holder		427430-01	1								

B. Icemaking Unit
F-422MAK(-C)
 Q-0

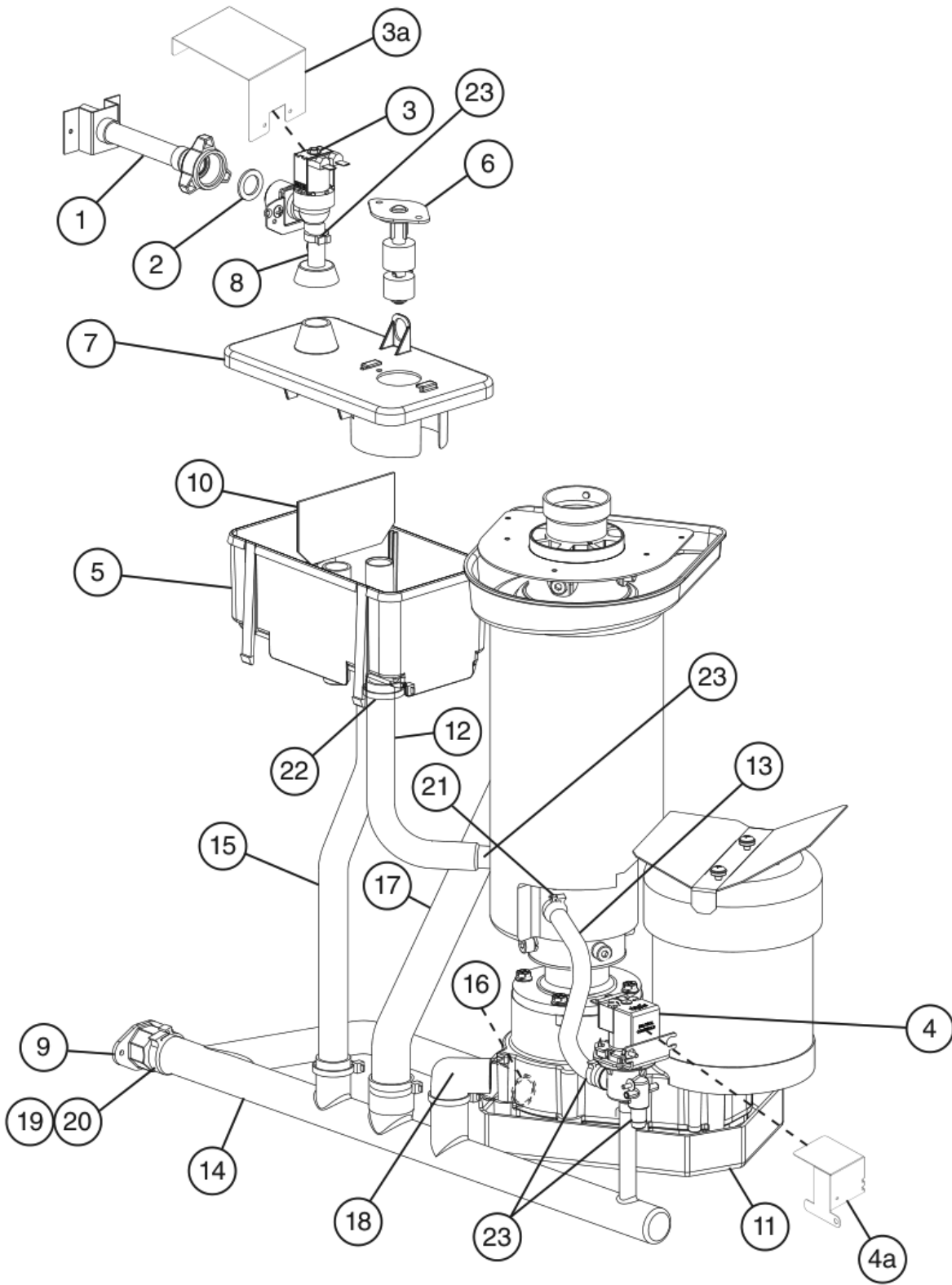


B. Icemaking Unit
F-622MAK-C
Q-0



Title: B. Icemaking Unit Model: F-422MAK(-C), F-622MAK-C												
Index No.	Description	Material or Model Number	Part Number	Required Number								
				Q-0								
1	Gear Motor	F-422MAK(-C)	4A4321-01	1								
		F-622MAK-C	4A5650-01	1								
1a	Socket Head Cap Screw	F-622MAK-C	7B02-0812	3								
1b	Split Lock Washer	F-622MAK-C	7L22-0800	3								
2	Gear Motor Shield		3A4584-01	1								
2a	Truss Head Screw	5x8	7C32-0508	2								
2b	Rubber Seal Washer		4A5268-02	2								
3	Spline Coupling	F-422MAK(-C)	418316-01	1								
		F-622MAK-C	4A3204-01	1								
4	Housing	F-422MAK(-C)	383613G01	1								
		F-622MAK-C	2A0947G01	1								
4a	Bolt (includes flat/lock washer)	6x20	4A1989-01	4								
5	O-Ring	F-422MAK(-C)	4A4755-01	1								
		F-622MAK-C	4A4755-02	1								
6	Mechanical Seal	F-422MAK(-C)	432491-03	1								
		F-622MAK-C	432492-03	1								
7	Ring B	F-422MAK(-C)	432494-01	1								
8	Auger	F-422MAK(-C)	269909G01	1								
		F-622MAK-C	2B0533G02	1								
9	Evaporator	F-422MAK(-C)	2A7797G02	1								
		F-622MAK-C	2A7209G01	1								
9a	Socket Head Cap Screw	6x10, SS	4A7498-01	4								
		F-422MAK(-C)										
9b	Split Lock Washer	F-622MAK-C	4A7498-02	4								
		F-422MAK(-C)	7L22-0600	4								
10	Flange	F-622MAK-C	7L22-0800	7								
		F-422MAK(-C)	464843-02	1								
11	Drip Pan	F-622MAK-C	352713-01	1								
		F-422MAK(-C)	2A4118-01	1								
12	Extruding Head	F-622MAK-C	2A7187-01	1								
		F-422MAK	340077G02	1								
12a	Seal Bolt	F-422MAK(-C)	327141G03	1								
		F-622MAK-C	3A2176G01	1								
13	Cutter	F-422MAK(-C)	P01768-02	3								
		F-622MAK-C		4								
14	Evaporator Heater	F-422MAK	453790-01	1								
		F-422MAK(-C)	439228G01	1								
		F-622MAK-C	427183G01	1								
14	Evaporator Heater	F-422MAK(-C)	4A4375-01	1								
		F-622MAK-C	4A2292-01	1								

C. Water Circuit
F-422MAK(-C), F-622MAK-C
Q-0

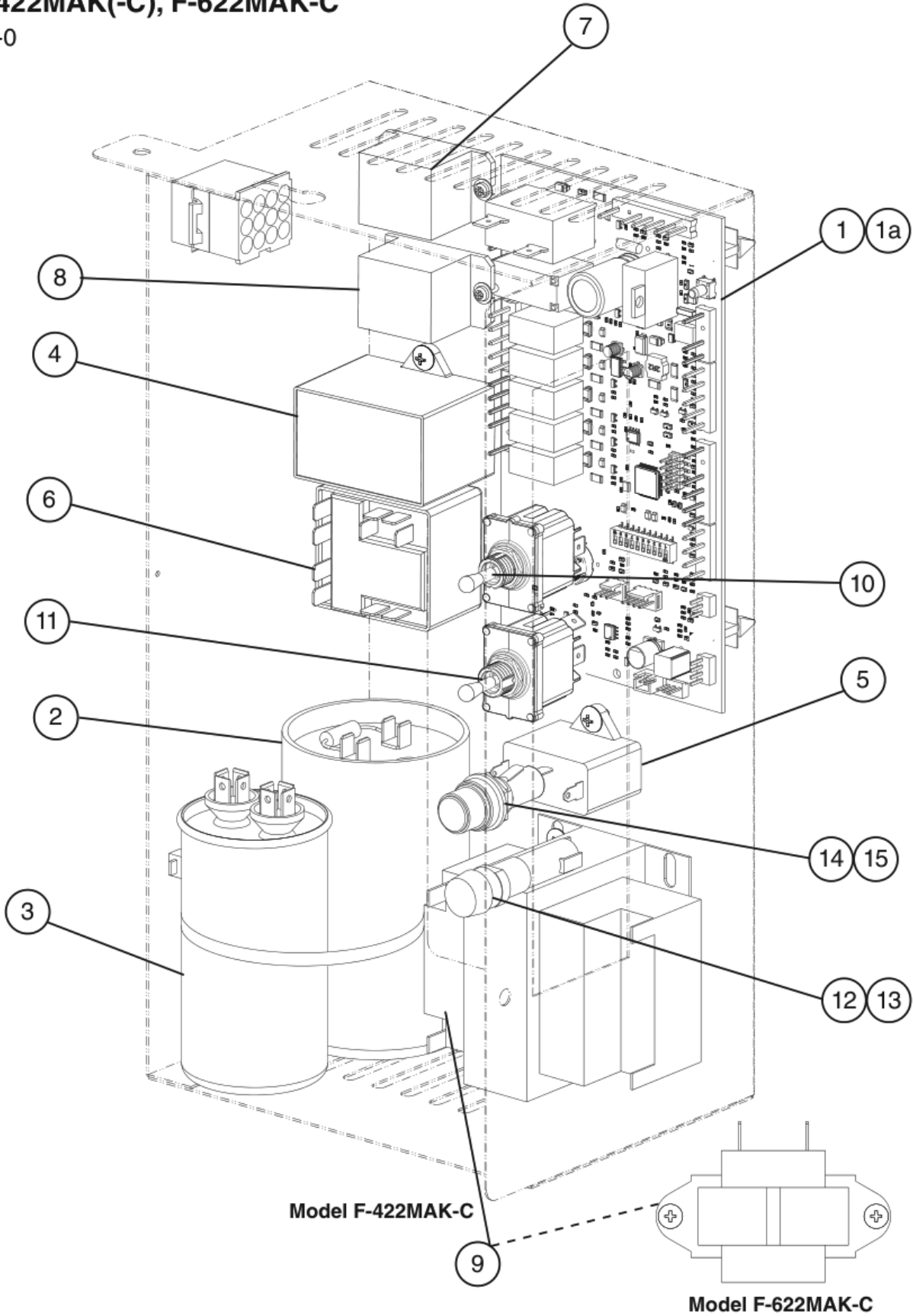


Model F-622MAK-C

Title: C. Water Circuit Model: F-422MAK(-C), F-622MAK-C												
Index No.	Description	Material or Model Number	Part Number	Required Number								
				Q-0								
1	Water Supply Pipe	F-422MAK(-C)	4A0891G04	1								
		F-622MAK-C	4A7116G01	1								
2	Rubber Gasket		413854-03	1								
3	Inlet Water Valve		4A5309-01	1								
3a	Inlet Water Valve Bracket	F-422MAK(-C)	3A6392-03	1								
		F-622MAK-C	3B2172-01	1								
4	Drain Valve		4A2772-02	1								
4a	Drain Valve Bracket		3A7922-01	1								
5	Reservoir		2A0753-01	1								
6	Float Switch Assembly		3B1240G01	1								
7	Reservoir Cover		214810-01	1								
8	Reservoir Inlet		4A0869-01	1								
9	Drain Fitting		4A5528-01	1								
10	Reservoir Separator		4A1255-01	1								
11	Gear Motor Drain Pan		4A4354G01	1								
12	Reservoir Hose	F-422MAK(-C)	4A1165-05	1								
		F-622MAK-C	4A1165-06	1								
13	Silicone Hose	L=332 mm F-422MAK(-C)	773013896	1								
		L=200 mm F-622MAK-C										
14	Drain Hose	F-422MAK(-C)	3A8170-01	1								
		F-622MAK-C	3A8195-01	1								
15	Vinyl Hose	L=349 mm F-422MAK(-C)	7725B1923	1								
		L=410 mm F-622MAK-C										
16	Vinyl Hose	L=30 mm	7725B1923	2								
17	Vinyl Hose	L=345 mm F-422MAK(-C)	4A0658L01	1								
		L=435 mm F-622MAK-C										
18	Elbow		4A5624-01	1								
Clamps												
19	Hose Clamp	26-30 mm F-622MAK-C	4A2017-02	1								
20	Hose Clamp	32-37 mm F-422MAK(-C)	4A2017-03	2								
21	Hose Clamp	17-21 mm	4A2017-05	1								
22	Hose Clamp	19-22 mm	4A2017-06	1								
23	Hose Clamp	13.5-15 mm	4A2017-08	4								

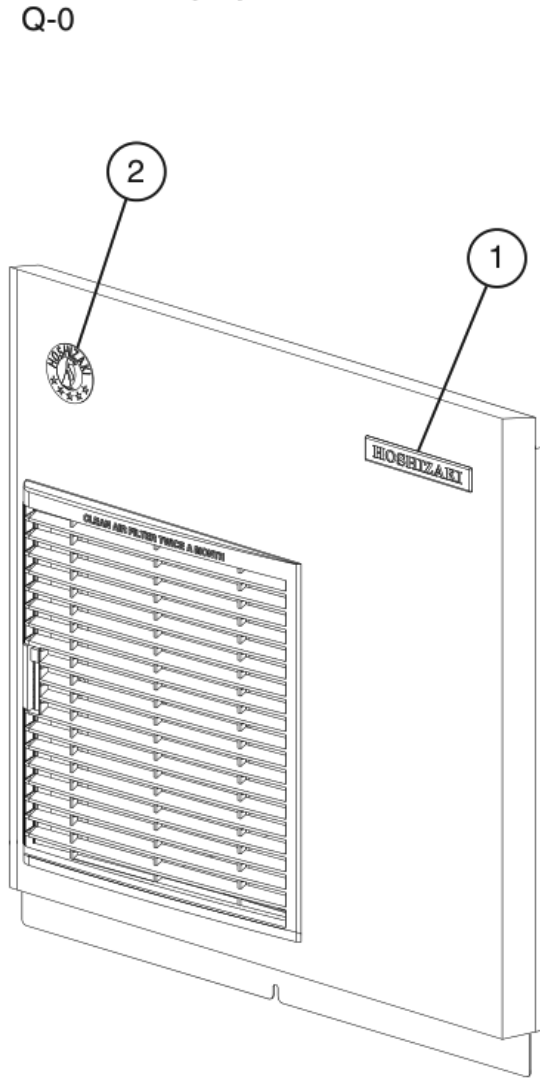
D. Control Box Assembly F-422MAK(-C), F-622MAK-C

Q-0

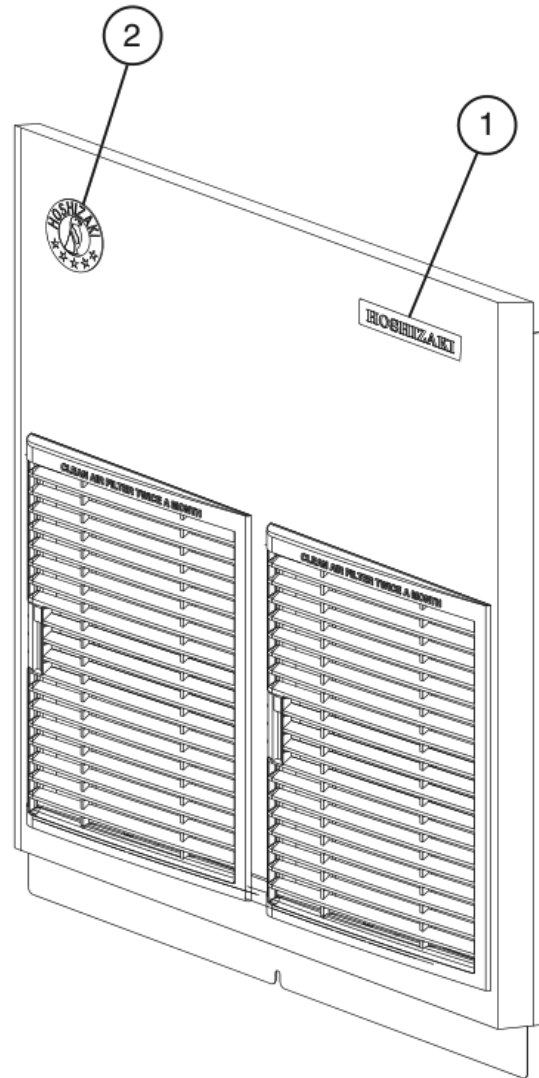


Title: D. Control Box Assembly Model: F-422MAK(-C), F-622MAK-C												
Index No.	Description	Material or Model Number	Part Number	Required Number								
				Q-0								
1	Control Board		2A9874-03	1								
1a	Control Board Support		4A0336-03	4								
2	Start Capacitor	243-292MFD, 165VAC	3A0076-20	1								
3	Run Capacitor	35MFD, 440VAC	3A2005-14	1								
4	Gear Motor Capacitor	20MFD, 350VAC	4A4319-01	1								
5	Fan Motor Capacitor	5MFD, 250VAC	4A6435-02	1								
6	Start Relay		4A7587-01	1								
7	Compressor Control Relay	120VAC	4A7047-03	1								
8	Evaporator Heater Relay			1								
9	Control Transformer	F-422MAK(-C)	4A0507-01	1								
		F-622MAK-C	4A0557-01	1								
10	Control Switch		4A7449-02	1								
11	Power Switch		4A7449-02	1								
12	Fuse (gear motor)	GMD-2A, 250VAC Slow Blow	4A0893-05	1								
13	Fuse Holder (gear motor)		4A6101-01	1								
14	Fuse (control)	AGC-3A, 250VAC F-422MAK(-C)	4A0893-03	1								
		AGC-1A, 250VAC F-622MAK-C	4A0893-01	1								
15	Fuse Holder (control)		4A5443-01	1								

E. Accessories & Labels
F-422MAK(-C), F-622MAK-C
 Q-0



Model F-422MAK(-C)



Model F-622MAK-C

Title: E. Accessories & Labels Model: F-422MAK(-C), F-622MAK-C															
Index No.	Description	Material or Model Number	Part Number	Required Number											
				Q-0											
1	Hoshizaki Emblem Label		4A0560-01	1											
2	Penguin Label		475552L02	1											
3	Universal Brace		4A0363-01	2											
3a	Hex Head Bolt	5x12, SS	7B02-0512	2											