

Hoshizaki America, Inc.

Modular Flaker

Models
F-450MAH(-C)



“A Superior Degree
of Reliability”

www.hoshizaki.com

PARTS LIST



Number: 71194
Issued: 10-9-2001
Revised: 1-13-2016

CONTENTS

Auxiliary Codes.....	3
Note About Ordering Parts	3
A. Main Assembly & Refrigeration Circuit	4
B. Icemaking Unit	7
C. Water Circuit.....	9
D. Control Box Assembly.....	11
E. Accessories & Labels	13

Auxiliary Codes

F-450MAH

L-0 April 2001
M-0 December 2001
N-0 December 2002
P-0 December 2003
P-1 June 2004
Q-0 December 2004
R-0 December 2005
S-0 January 2007
S-1 November 2007
T-0 January 2008
U-0 January 2009
V-0 January 2010
V-1 April 2010
V-2 May 2010
V-3 September 2010
A-0 January 2011
A-1 June 2011
B-0 January 2012
B-1 March 2012
B-2 December 2012
C-0 January 2013
C-1 November 2013
D-0 January 2014
E-0 January 2015
F-0 January 2016

F-450MAH-C

L-0 April 2001
M-0 February 2002
N-1 December 2002
P-0 December 2003
P-1 July 2004
Q-0 December 2004
R-0 December 2005
S-0 January 2007
S-1 November 2007
T-0 February 2008
U-0 January 2009
V-0 January 2010
V-1 April 2010
V-2 May 2010
V-3 December 2010
A-0 January 2011
A-1 June 2011
B-0 January 2012
B-1 March 2012
B-2 December 2012
C-0 January 2013
C-1 November 2013
D-0 January 2014
E-0 January 2015
F-0 January 2016

Auxiliary Code Breakdown

The auxiliary code is the first two characters in the serial number. The first character indicates the year. Years progress or regress in alphabetical order. The series runs from "A" through "V" and the letters "I" and "O" are skipped. The second character indicates significant part changes within a year. Base is "0" and this number advances for each change. In cases where there is a letter in parentheses, this designates the month. This is the last character in the serial number. The series runs from "(A)" through "(M)" and the letter "(I)" is skipped. This designation is only included when identifying a parts change within an auxiliary code.

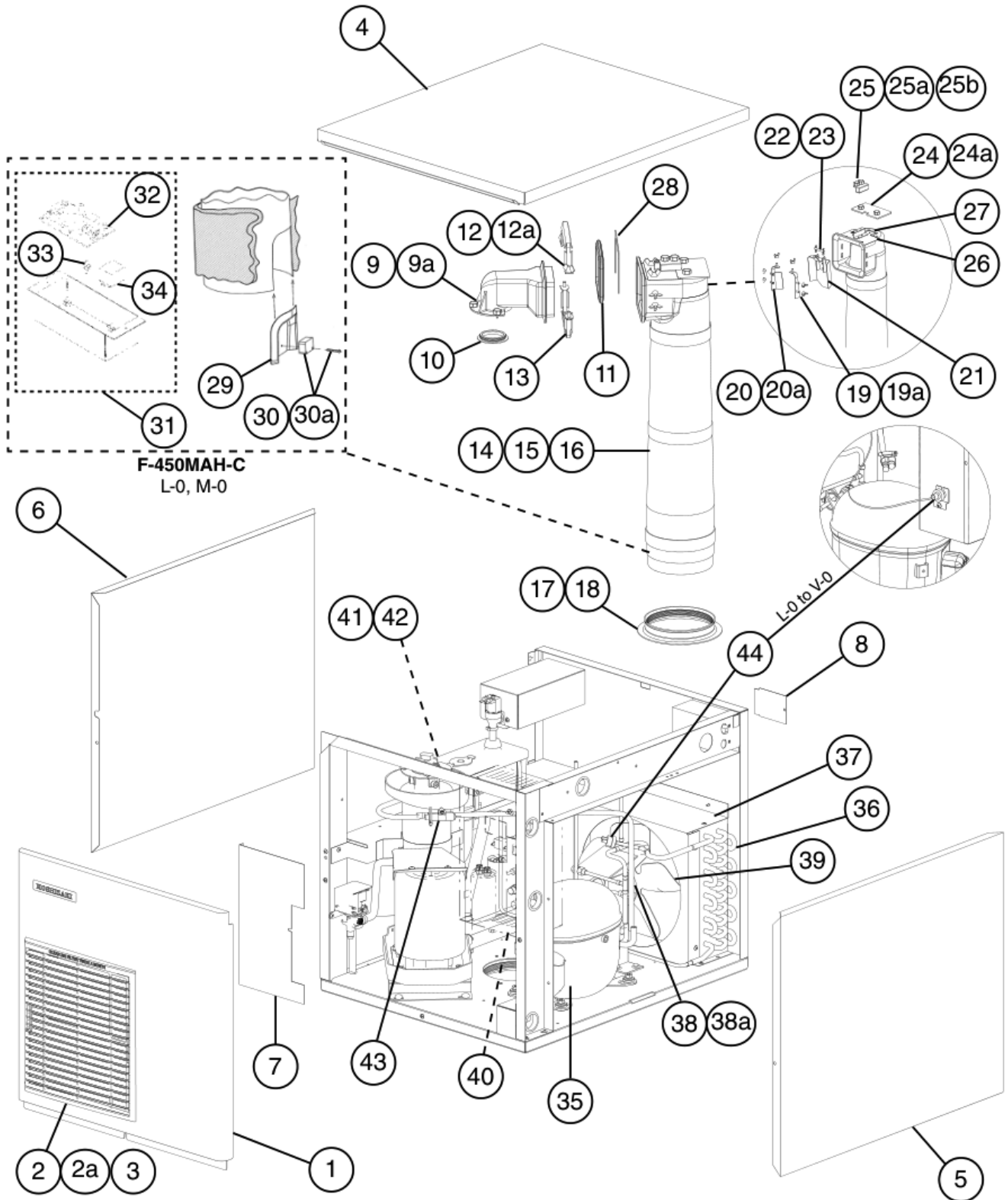
Note About Ordering Parts

Most assemblies cannot be ordered as complete units; parts in the assemblies generally must be ordered separately.

A. Main Assembly & Refrigeration Circuit

F-450MAH(-C)

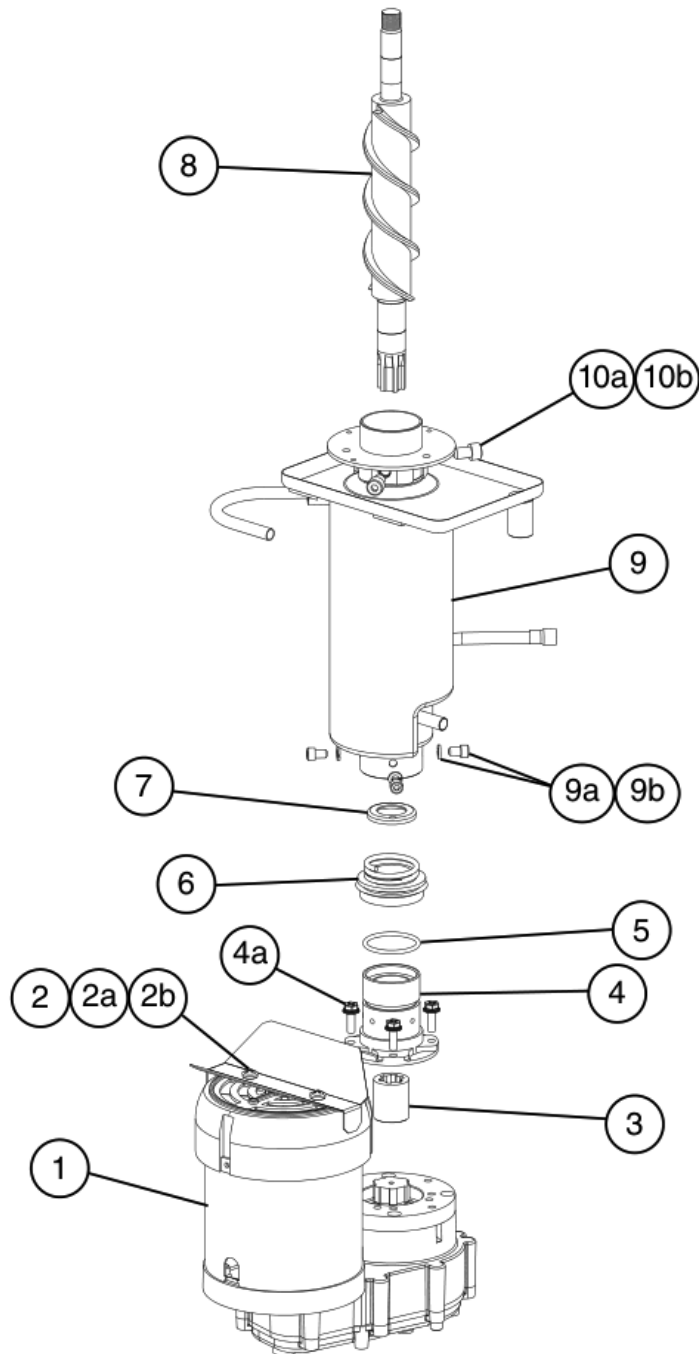
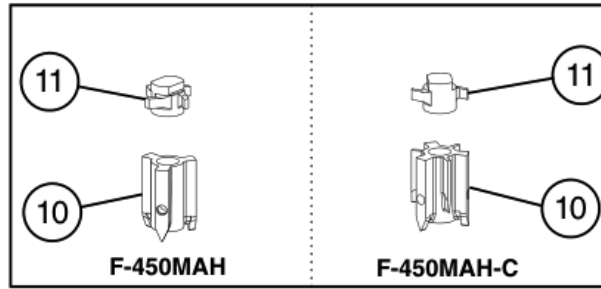
L-0 to F-0



Title: A. Main Assembly & Refrigeration Circuit Model: F-450MAH(-C)													
Index No.	Description	Material or Model Number	Part Number	Required Number									
				L-0 to M-0	N-0 to P-0	P-1 to T-0 (E)	T-0 (F) to V-0	V-1 to F-0					
1	Front Panel		2A2065-01	1	1	1	1	1					
2	Louver		1A0547-01	1	1	1	1	1					
2a	Push Retainer		4A2414-01	3	3	3	3	3					
3	Air Filter		2A2062G01	1	1	1	1	1					
4	Top Panel		2A2064-01	1	1	1	1	1					
5	Right Side Panel		2A2067G01	1	1	1	1	1					
6	Left Side Panel		2A2066G01	1	1	1	1	1					
7	Control Box Cover		3A0411-01	1	1	1	1	1					
8	Junction Box Cover		433410-01	1	1	1	1	1					
9	Spout		2A0915-01	1	1	1	1	1					
9a	Thumbscrew		415949G08	3	3	3	3	3					
10	Evaporator Packing		427151-01	1	1	1	1	1					
11	Spout Packing		321037-01	1	1	1	1	1					
12	Upper Spout Strap		328703-02	1	1	1	1	1					
12a	Wing Nut		7E12-0600	2	2	2	2	2					
13	Lower Spout Strap		321038G02	1	1	1	1	1					
14	Chute	F-450MAH	2A1308-01	1	1	1	1	1					
		F-450MAH-C	2A0925-01	1	1	1	-						
			2A1308-01				1	1					
15	Chute Insulation		2A0989-01	1	1	1	1	1					
16	Tie		436531G01	3	3	3	3	3					
17	Chute Packing		432877-01	1	1	1	1	1					
18	Ring		3A1017-01	1	1	1	1	1					
19	Chute Baffle (A)		3A0400G01	1	1	1	1	1					
19a	Wing Nut		7E12-0400	3	3	3	3	3					
20	Chute Baffle (B)		3A0399G01	1	1	1	1	1					
20a	Wing Nut		7E12-0400	3	3	3	3	3					
21	Actuator		436848G01	1	1	1	1	1					
22	Shaft		436851-01	1	1	1	1	1					
23	Snap Pin		715S-0005	2	2	2	2	2					
24	Plate		4A2039-01	1	1	1	1	1					
24a	Thumbscrew		415949G10	2	2	2	2	2					
25	Mechanical Bin Control (proximity switch)		4A2033-01	1	1	1	1	1					
25a	Thumbscrew		415949G08	2	2	2	2	2					
25b	Truss Head Screw (Ground)		7C32-0408	1	1	1	1	1					
26	Packing		441217-01	1	1	1	-						
27	Mechanical Bin Control Bracket		3A1744G01	1	1	1	1	1					
28	Spout-to-Chute Bracket		4A1712-01	1	1	1	1	1					

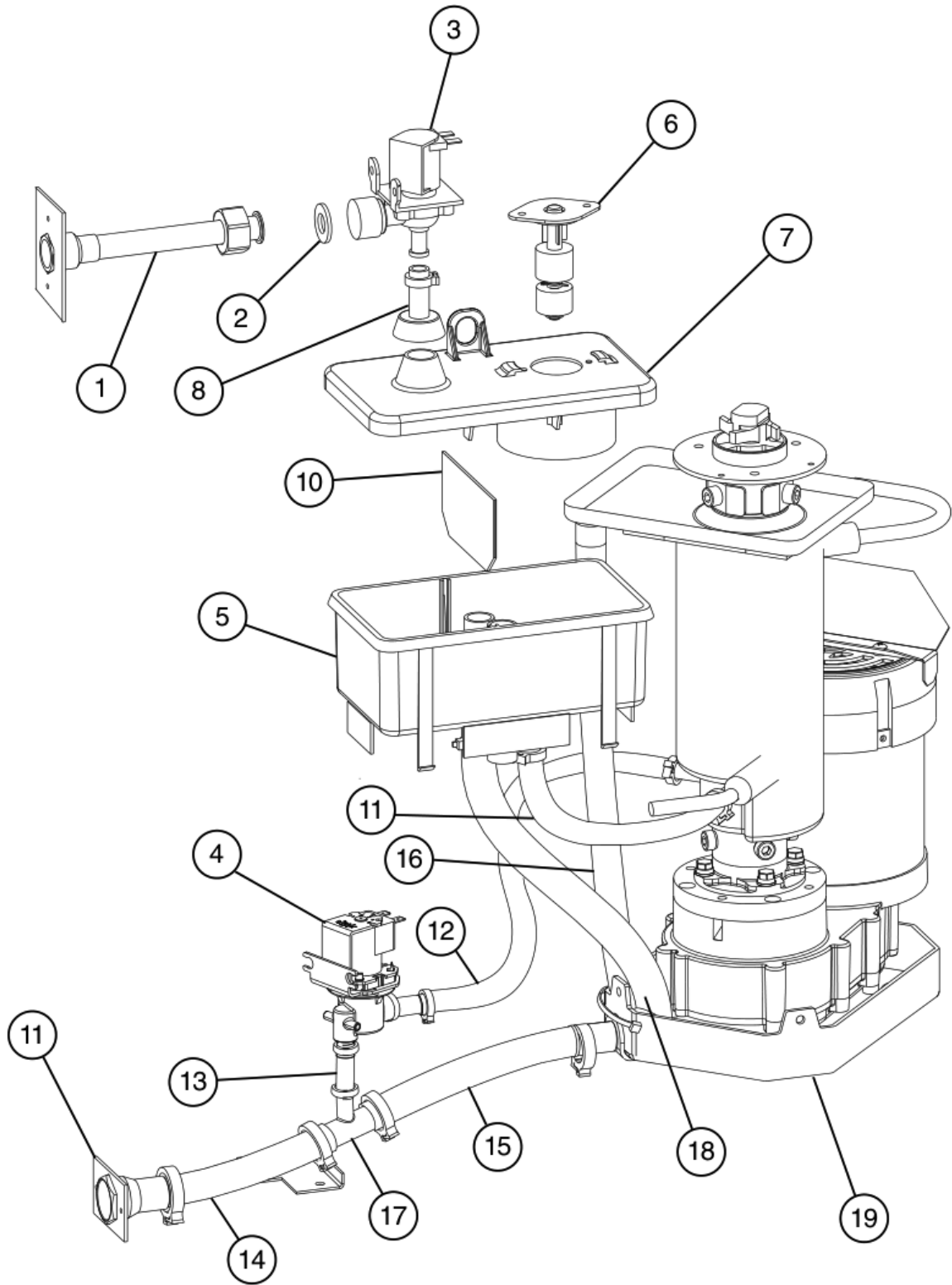
Title: A. Main Assembly & Refrigeration Circuit Model: F-450MAH(-C)													
Index No.	Description	Material or Model Number	Part Number	Required Number									
				L-0 to M-0	N-0 to P-0	P-1 to T-0 (E)	T-0 (F) to V-0	V-1 to F-0					
29	Photoelectric Sensor Housing	F-450MAH-C	2A0996-01	1	-								
30	Photoelectric Sensor (bin control)	F-450MAH-C	4A1173-01	1	-								
30a	Cross Recessed Pan Head Tapping Screw	F-450MAH-C	7C1111434	2	-								
31	Photoelectric Sensor Power Supply Assembly (includes items 32 through 34)	F-450MAH-C	4A1315A01	1	-								
32	Photoelectric Sensor Control Board Power Supply (bin control)	F-450MAH-C	4A1355-01	1	-								
33	Control Board Support	F-450MAH-C	4A0336-03	4	-								
34	Photoelectric Sensor Relay (bin control)	F-450MAH-C	4A1382-01	1	-								
Refrigeration Circuit													
35	Compressor	RS43C2E-CAA	4A2300-01	1	1	1	1	-					
		RST45C1ECA	4A4479-01					1					
36	Condenser		2A0923-01	1	1	1	1	1					
37	Shroud		2A0908-01	1	1	1	1	1					
38	Fan Motor		440911-01	1	1	-							
			4A3158-01			1	1	1					
38a	Self-Locking Nut		7N2110832	4	4	4	4	4					
39	Fan Blade		444898-01	1	1	1	1	1					
40	Drier		4A1113-01	1	1	1	1	1					
41	Thermostatic Expansion Valve		4A4493-01	1	1	1	1	1					
42	Thermostatic Expansion Valve Cover		4A1168-01	1	1	1	1	1					
43	Thermostatic Expansion Valve Bulb Holder		3A0112-01	1	1	1	1	-					
			3A0107-01					1					
44	High-Pressure Switch		433441-05	1	1	1	1	-					
			463180-05					1					

B. Icemaking Unit
F-450MAH(-C)
L-0 to F-0



Title: B. Icemaking Unit Model: F-450MAH(-C)												
Index No.	Description	Material or Model Number	Part Number	Required Number								
				L-0 to P-1	Q-0 to S-0	S-1 to U-0	V-0 to F-0					
1	Gear Motor		4A2193-01	1	1	-						
			4A4321-01			1	1					
2	Gear Motor Barrier		3A1037-01	1	1	-						
	Gear Motor Cover		3A4584-01			1	1					
2a	FT Screw	4x8, SS	7F32-0408	2	2	-						
	Truss Head Screw	5x8, SS	7C32-0508			2	2					
2b	Rubber Washer		4A5268-02			2	2					
3	Spline Coupling		418316-01	1	1	1	1					
4	Housing		206013G03	1	1	1	1					
4a	Bolt	6x20	4A1989-01	4	4	4	4					
5	O-Ring		7616-G040	1	1	1	-					
			4A4755-01				1					
6	Mechanical Seal		432491-01	1	1	1	1					
7	Ring		432494-01	1	1	1	1					
8	Auger		341448G01	1	1	1	1					
9	Evaporator		2A1699G01	1	-							
			2A3310G01		1	1	1					
9a	Socket Head Cap Screw	6x10, SS	7S12-0610	4	4	4	4					
9b	Split Lock Washer	6, SS	7L22-0600	4	4	4	4					
10	Extruding Head	F-450MAH	340077G01	1	1	1	1					
		F-450MAH-C	327141G01	1	1	1	1					
10a	Seal Bolt		P01768-01	3	3	3	3					
10b	Washer		453791-01	3	3	3	3					
11	Cutter	F-450MAH	453790-01	1	1	1	1					
		F-450MAH-C	440905-01	1	1	1	1					

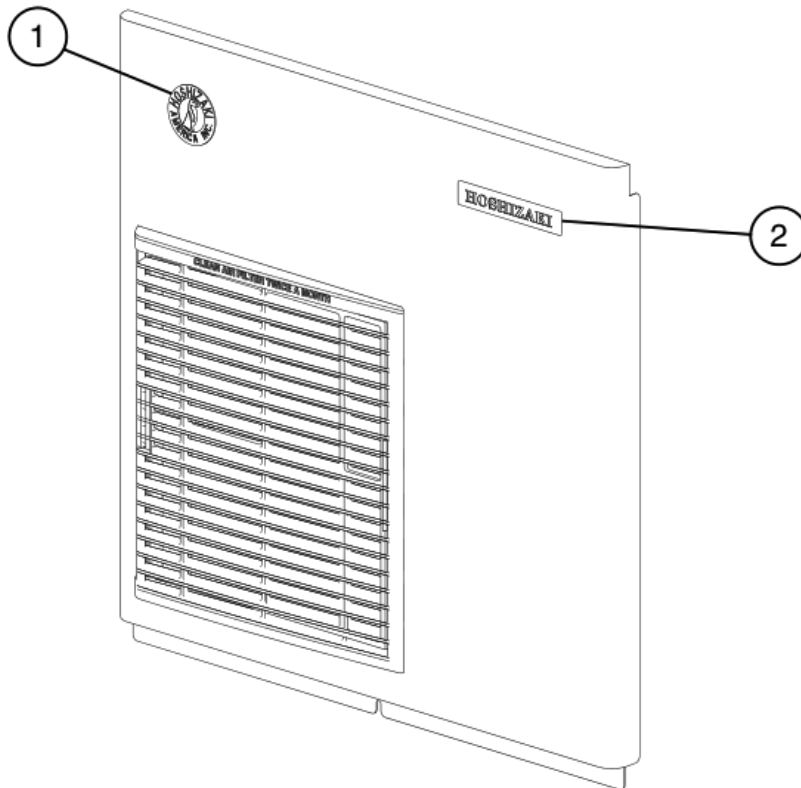
C. Water Circuit
F-450MAH(-C)
L-0 to F-0



Title: C. Water Circuit Model: F-450MAH(-C)												
Index No.	Description	Material or Model Number	Part Number	Required Number								
				L-0 M-0	N-0 to S-0	S-1 to B-0	B-1	B-2 to F-0				
1	Water Supply Pipe		4A0891G01	1	1	1	-					
			4A0891G04				1	1				
2	Washer		4A0867-01	1	1	1	-					
	Rubber Gasket		413854-03				1	1				
3	Inlet Water Valve		4A0865-01	1	1	1	-					
			4A5309-01				1	1				
4	Drain Valve		4A2077-01	1	-							
			4A2772-01		1	1	1	1				
5	Reservoir		2A0753-01	1	1	1	1	1				
6	Float Switch		435490-01	1	1	1	1	1				
7	Reservoir Cover		214810-01	1	1	1	1	1				
8	Reservoir Inlet		4A0869-01	1	1	1	1	1				
9	Drain Fitting		4A0776G01	1	1	1	1	-				
			4A5527-01					1				
10	Reservoir Separator		4A1255-01	1	1	1	1	1				
11	Reservoir Hose		4A1165-05	1	1	1	1	1				
12	Silicone Hose	L=230 mm	773013896	1	1	1	1	1				
13	Vinyl Hose	L=65 mm	7716-0913	1	1	1	1	1				
14	Vinyl Hose	L=270 mm	7716-2025	1	1	1	1	1				
15	Vinyl Hose	L=80 mm	7716-2025	1	1	1	1	1				
16	Vinyl Hose	L=355 mm	7725-1923	1	1	1	1	1				
17	Tee		4A1331-01	1	1	1	1	1				
18	Silicone Hose	L=340 mm	7730-1822	1	1	1	1	1				
19	Drain Pan		323765G02	1	1	-						
			4A4354G01				1	1	1			
Clamps												
	Hose Clamp	21-26 mm	4A2017-01	5	5	5	5	5				
	Hose Clamp	26-30 mm	4A2017-02	1	1	1	1	1				
	Hose Clamp	13.5-15 mm	4A2017-08	5	5	5	5	5				
	Hose Clamp	17-21 mm	4A2017-05	1	1	1	1	1				
	Hose Clamp	19-22 mm	4A2017-06	1	1	1	1	1				

Title: D. Control Box Assembly Model: F-450MAH(-C)												
Index No.	Description	Material or Model Number	Part Number	Required Number								
				L-0	M-0 to S-0	S-1 to V-0	V-1 to V-3	A-0 to C-0	C-1 to F-0			
1	Water Control Relay	24VAC	406132-03	1	1	1	1	1	1			
2	Gear Motor Relay	24VAC	406133-04	1	1	1	1	1	1			
3	Circuit Protect Relay	240VAC	418271-05	1	1	1	1	1	1			
4	Gear Motor Protect Relay	120VAC	418271-03	1	1	1	1	1	1			
5	Control Transformer		4A0557-01	1	1	1	1	1	1			
6	Start Relay		4A1107-11	1	1	1	1	1	1			
7	Start Capacitor	243-292MFD, 115VAC	3A0076-10	1	1	1	-					
		243-292MFD, 165VAC	3A0076-20				1	1	1			
8	Run Capacitor	15MFD, 370VAC	439943-04	1	-							
		15MFD, 370VAC	3A2005-08		1	1	-					
		35MFD, 440VAC	3A2005-12				1	1	1			
9	Gear Motor Capacitor	12MFD, 330VAC	4A0894-01	1	1	-						
		20MFD, 350VAC	4A4319-01			1	1	1	1			
10	Control Switch (rocker)		4A0558-01	1	1	1	1	1	1			
11	Power Switch (toggle)		4A2332-01	1	1	1	1	1	1			
12	Fuse Holder		4A3449-01	1	1	1	1	1	-			
			4A5443-01						1			
13	Fuse	AGC-1A, 250VAC	4A0893-01	1	1	1	1	1	1			
14	Control Board		437305-01	1	1	1	1	1	-			
			4A5591-01						1			
15	Control Board Support		4A0336-03	4	4	4	4	4	4			
16	Drain Timer		4A0889-01	1	1	1	1	1	-			
17	Fan Motor Capacitor	5MFD, 250VAC	443192-02	1	1	1	1	1	1			
18	Fuse Holder		4A0892-02	1	1	1	1	-				
			4A3449-02					1	1			
19	Fuse	GMD-1.5A, 250VAC	4A0893-04	1	1	-						
		GMD-2.0A, 250VAC	4A0893-05			1	1	1	1			

E. Accessories & Labels
F-450MAH(-C)
 L-0 to F-0



Title: E. Accessories & Labels		Model: F-450MAH(-C)		Required Number							
Index No.	Description	Material or Model Number	Part Number	L-0 to F-0							
1	Penguin-Ha Label		456246-01	1							
2	Hoshizaki Emblem		4A0560-01	1							
3	Universal Brace		4A0363-01	2							
3a	Hex Head Bolt	5x12, SS	7B02-0512	2							