



HOSHIZAKI

Parts List

Modular Flaker

Models

F-450MAJ(-C)



hoshizakiamerica.com

Number: 71367
Issued: 5-6-2016
Revised: 3-12-2018

CONTENTS

| | |
|--|----|
| Auxiliary Codes..... | 3 |
| Note About Ordering Parts | 3 |
| A. Main Assembly & Refrigeration Circuit | 4 |
| B. Icemaking Unit | 7 |
| C. Water Circuit..... | 9 |
| D. Control Box Assembly..... | 11 |
| E. Accessories & Labels | 13 |

Auxiliary Codes

F-450MAJ

F-0 April 2016
F-1 November 2016
G-0 January 2017
G-1 April 2017
G-2 July 2017
H-0 January 2018

F-450MAJ-C

F-0 April 2016
F-1 November 2016
G-0 January 2017
G-1 April 2017
G-2 July 2017
H-0 January 2018

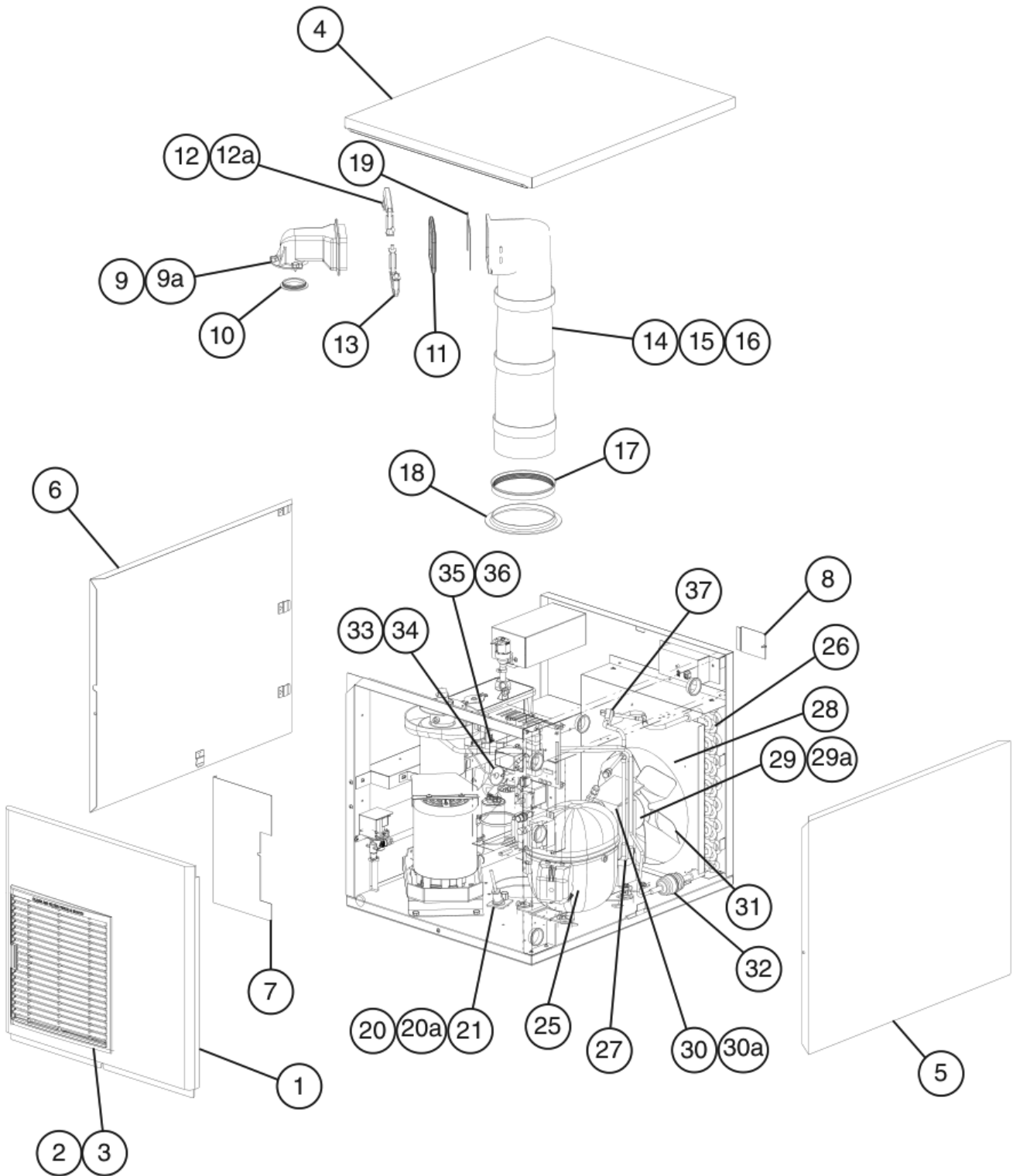
Auxiliary Code Breakdown

The auxiliary code is the first two characters in the serial number. The first character indicates the year. Years progress or regress in alphabetical order. The series runs from "A" through "V" and the letters "I" and "O" are skipped. The second character indicates significant part changes within a year. Base is "0" and this number advances for each change. In cases where there is a letter in parentheses, this designates the month. This is the last character in the serial number. The series runs from "(A)" through "(M)" and the letter "(I)" is skipped. This designation is only included when identifying a parts change within an auxiliary code.

Note About Ordering Parts

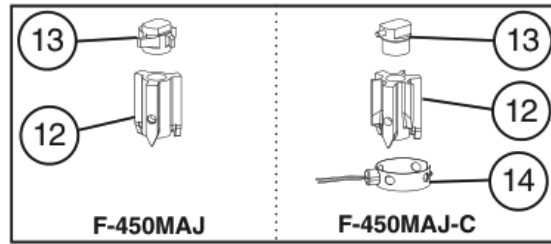
Most assemblies cannot be ordered as complete units; parts in the assemblies generally must be ordered separately.

A. Main Assembly & Refrigeration Circuit
F-450MAJ(-C)
1/2
 F-0 to H-0

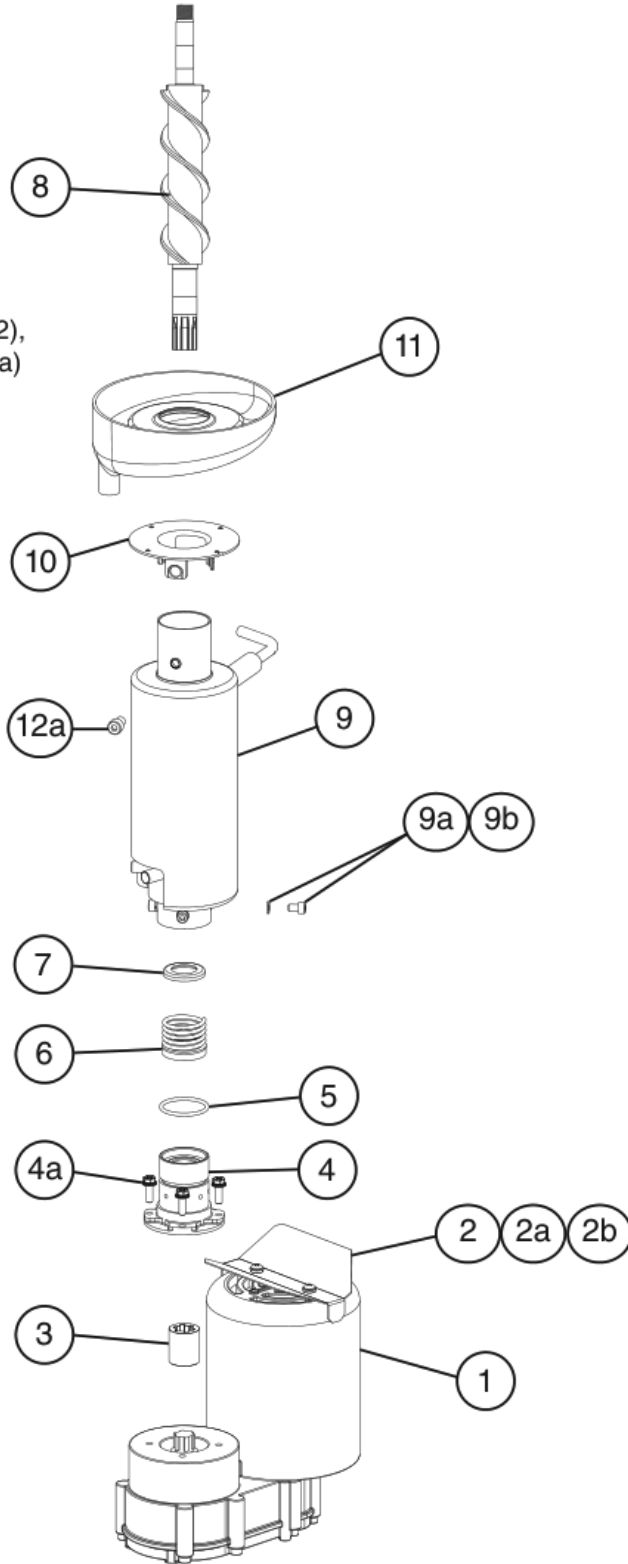


| Title: A. Main Assembly & Refrigeration Circuit Model: F-450MAJ(-C) | | | | | Required Number | | | | | | | | |
|---|--|--------------------------|-------------|------------|-----------------|--|--|--|--|--|--|--|--|
| Index No. | Description | Material or Model Number | Part Number | F-0 to H-0 | | | | | | | | | |
| 1 | Front Panel | | 2A2065-01 | 1 | | | | | | | | | |
| 2 | Louver | | 1A0547-01 | 1 | | | | | | | | | |
| 3 | Air Filter | | 2A2062G01 | 1 | | | | | | | | | |
| 4 | Top Panel | | 2A2064-02 | 1 | | | | | | | | | |
| 5 | Right Side Panel | | 2A2067G01 | 1 | | | | | | | | | |
| 6 | Left Side Panel | | 2A2066G01 | 1 | | | | | | | | | |
| 7 | Control Box Cover | | 3A0411-01 | 1 | | | | | | | | | |
| 8 | Junction Box Cover | | 433410-01 | 1 | | | | | | | | | |
| 9 | Spout | | 2A0915-01 | 1 | | | | | | | | | |
| 9a | Thumbscrew | | 415949G08 | 3 | | | | | | | | | |
| 10 | Evaporator Packing | | 427151-01 | 1 | | | | | | | | | |
| 11 | Spout Packing | | 321037-01 | 1 | | | | | | | | | |
| 12 | Upper Spout Strap | | 328703-02 | 1 | | | | | | | | | |
| 12a | Wing Nut | | 7E12-0600 | 2 | | | | | | | | | |
| 13 | Lower Spout Strap | | 321038G02 | 1 | | | | | | | | | |
| 14 | Chute | | 2A1308-02 | 1 | | | | | | | | | |
| 15 | Chute Insulation | | 2A0989-01 | 1 | | | | | | | | | |
| 16 | Tie | | 436531G01 | 3 | | | | | | | | | |
| 17 | Chute Packing | | 432877-01 | 1 | | | | | | | | | |
| 18 | Ring | | 3A1017-01 | 1 | | | | | | | | | |
| 19 | Spout-to-Chute Bracket | | 4A1712-01 | 1 | | | | | | | | | |
| 20 | Bin Control Housing | | 3A3478-01 | 1 | | | | | | | | | |
| 20a | Thumbscrew | | 415949G12 | 1 | | | | | | | | | |
| 21 | Bin Control (infrared sensor) | | 4A4469-01 | 1 | | | | | | | | | |
| 22 | Gear Motor Mounting Bracket | | 4A4308-01 | 1 | | | | | | | | | |
| 22a | Hex Bolt | 8x12, SS | 7B02-0812 | 3 | | | | | | | | | |
| 22b | Split Lock Washer | M8, SS | 7L22-0800 | 3 | | | | | | | | | |
| 23 | Drain Pan Assembly | | 4A4354G01 | 1 | | | | | | | | | |
| 23a | Socket Head Cap Screw | 8x20, SS | 7S12-0820 | 4 | | | | | | | | | |
| 23b | Split Lock Washer | M8, SS | 7L22-0800 | 4 | | | | | | | | | |
| 24 | Drain Pan Mounting Bracket | | 4A4314G01 | 1 | | | | | | | | | |
| 24a | Hex Bolt | 8x12, SS | 7B02-0812 | 2 | | | | | | | | | |
| Refrigeration Circuit | | | | | | | | | | | | | |
| 25 | Compressor | | 4A5090-01 | 1 | | | | | | | | | |
| 26 | Condenser | | 2A3476-01 | 1 | | | | | | | | | |
| 27 | Heat Exchanger | | 3A8938G01 | 1 | | | | | | | | | |
| 28 | Shroud | | 2A7933-01 | 1 | | | | | | | | | |
| 29 | Fan Motor | | 4A3158-01 | 1 | | | | | | | | | |
| 29a | Self-Locking Nut | | 7N2110832 | 4 | | | | | | | | | |
| 30 | Fan Motor Mounting Bracket | | 3A0828-01 | 1 | | | | | | | | | |
| 30a | Hex Head Bolt | 5x12 SS | 7B0230512 | 4 | | | | | | | | | |
| 31 | Fan Blade | | 444898-01 | 1 | | | | | | | | | |
| 32 | Drier | | 4A2666-01 | 1 | | | | | | | | | |
| 33 | Thermostatic Expansion Valve | | 4A4493-01 | 1 | | | | | | | | | |
| 34 | Thermostatic Expansion Valve Cover | | 4A1168-01 | 1 | | | | | | | | | |
| 35 | Thermostatic Expansion Valve Bulb Holder | | 3A0112-01 | 1 | | | | | | | | | |
| 36 | Clamp | | 443461-01 | 1 | | | | | | | | | |
| 37 | High-Pressure Switch | | 463180-04 | 1 | | | | | | | | | |

B. Icemaking Unit
F-450MAJ(-C)
 F-0 to H-0

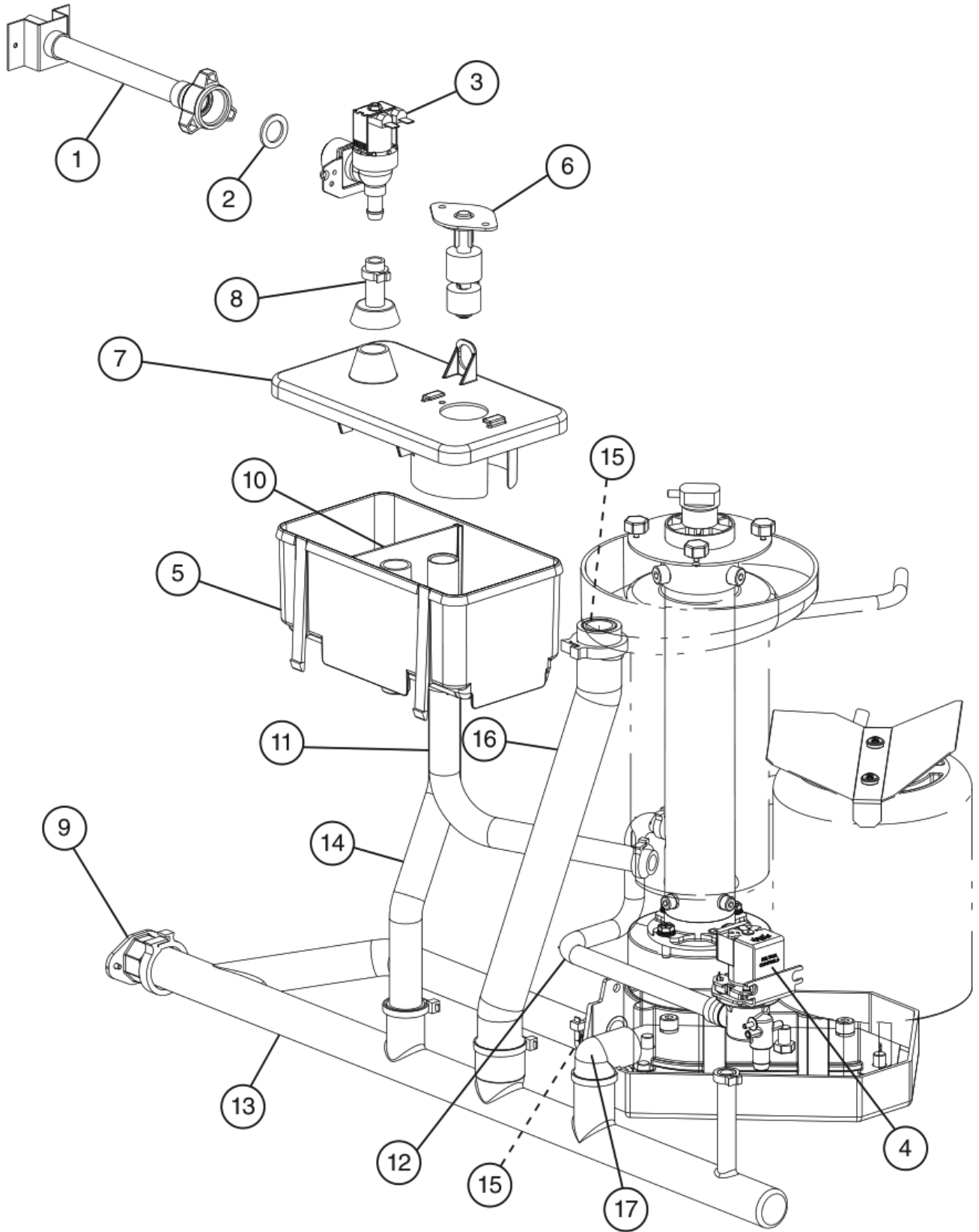


Note: When ordering auger, auxillary code G-1 and earlier must also order housing (item 4), extruding head (item 12), and seal bolts (item 12a) and replace as a set.



| Title: B. Icemaking Unit Model: F-450MAJ(-C) | | | | | | | | | | | | |
|--|--|--------------------------|---|------------|-----------------|--|--|--|--|--|--|--|
| Index No. | Description | Material or Model Number | Part Number | F-0 to H-0 | Required Number | | | | | | | |
| | | | | | | | | | | | | |
| 1 | Gear Motor | | 4A4321-01 | 1 | | | | | | | | |
| 2 | Shield | | 3A4584-01 | 1 | | | | | | | | |
| 2a | Truss Head Screw | 5x8 | 7C32-0508 | 2 | | | | | | | | |
| 2b | Rubber Seal Washer | | 4A5268-02 | 2 | | | | | | | | |
| 3 | Spline Coupling | | 418316-01 | 1 | | | | | | | | |
| 4 | Housing | | 383613G01 | 1 | | | | | | | | |
| 4a | Bolt (includes flat/lock washer) | 6x20 | 4A1989-01 | 4 | | | | | | | | |
| 5 | O-Ring | | 4A4755-01 | 1 | | | | | | | | |
| 6 | Mechanical Seal | | 432491-01 | 1 | | | | | | | | |
| 7 | Ring B | | 432494-01 | 1 | | | | | | | | |
| 8 | Auger Note: When ordering auger, auxillary code G-1 and earlier must also order housing (item 4), extruding head (item 12), and seal bolts (item 12a) and replace as a set. | | 269912G01 See "Note" under "Description" | 1 | | | | | | | | |
| 9 | Evaporator | | 2A7797G01 | 1 | | | | | | | | |
| 9a | Socket Head Cap Screw | 6x10, SS | 7S12-0610 | 4 | | | | | | | | |
| 9b | Split Lock Washer | | 7L22-0600 | 4 | | | | | | | | |
| 10 | Flange | | 464843-02 | 1 | | | | | | | | |
| 11 | Drip Pan | | 2A4118-01 | 1 | | | | | | | | |
| 12 | Extruding Head | F-450MAJ | 340077G01 | 1 | | | | | | | | |
| | | F-450MAJ-C | 327141G03 | 1 | | | | | | | | |
| 12a | Seal Bolt | | P01768-02 | 3 | | | | | | | | |
| 13 | Cutter | F-450MAJ | 453790-01 | 1 | | | | | | | | |
| | | F-450MAJ-C | 439228G01 | 1 | | | | | | | | |
| 14 | Evaporator Heater | | 4A4375-01 | 1 | | | | | | | | |

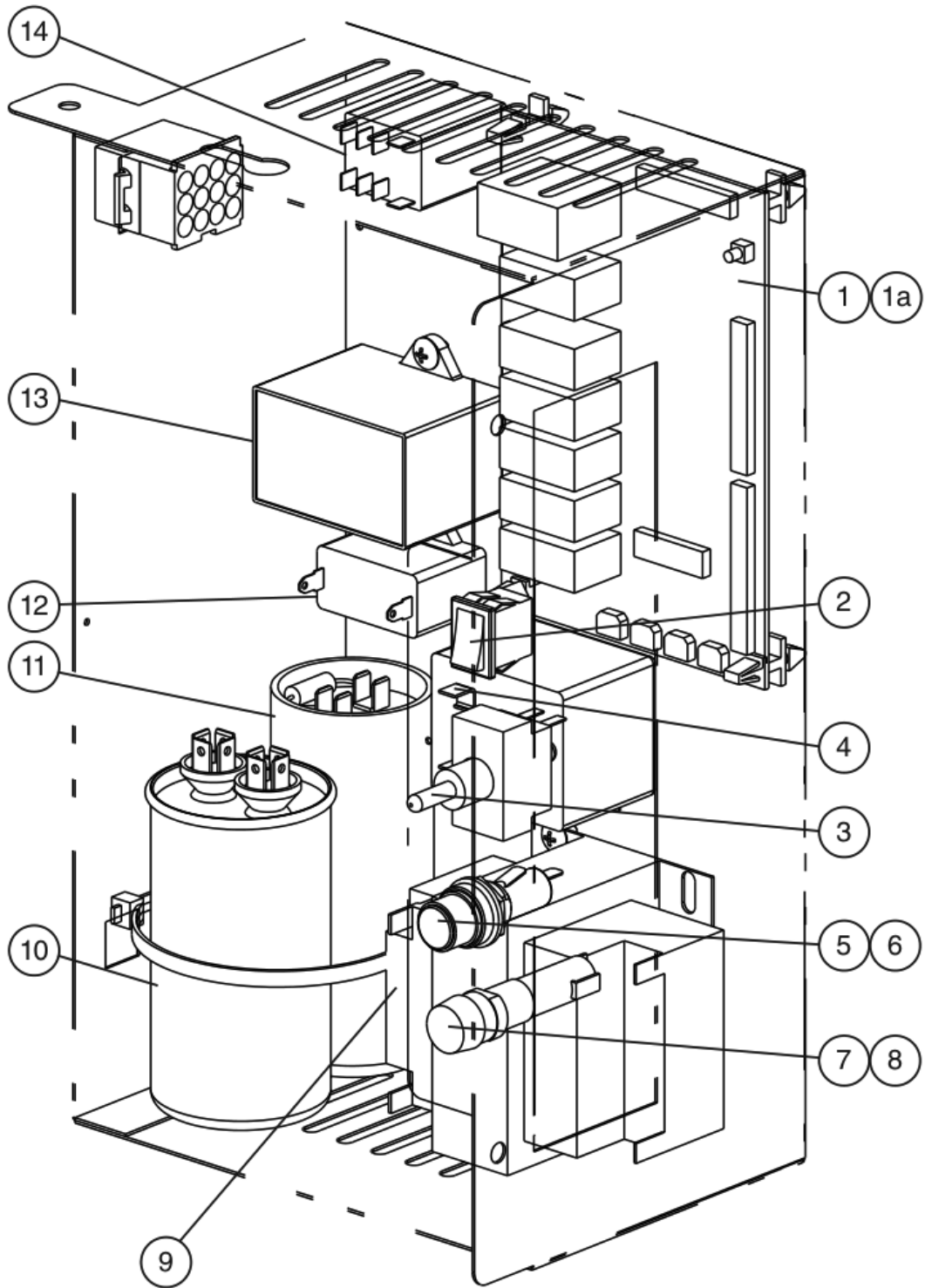
C. Water Circuit
F-450MAJ(-C)
F-0 to H-0



Title: C. Water Circuit Model: F-450MAJ(-C)

| Index No. | Description | Material or Model Number | Part Number | F-0 to H-0 | Required Number | | | | | | | | |
|---------------|---------------------|--------------------------|-------------|------------|-----------------|--|--|--|--|--|--|--|--|
| | | | | | | | | | | | | | |
| 1 | Water Supply Pipe | | 4A0891G04 | 1 | | | | | | | | | |
| 2 | Rubber Gasket | | 413854-03 | 1 | | | | | | | | | |
| 3 | Inlet Water Valve | | 4A5309-01 | 1 | | | | | | | | | |
| 4 | Drain Valve | | 4A2772-02 | 1 | | | | | | | | | |
| 5 | Reservoir | | 2A0753-01 | 1 | | | | | | | | | |
| 6 | Float Switch | | 435490-01 | 1 | | | | | | | | | |
| 7 | Reservoir Cover | | 214810-01 | 1 | | | | | | | | | |
| 8 | Reservoir Inlet | | 4A0869-01 | 1 | | | | | | | | | |
| 9 | Drain Fitting | | 4A5528-01 | 1 | | | | | | | | | |
| 10 | Reservoir Separator | | 4A1255-01 | 1 | | | | | | | | | |
| 11 | Reservoir Hose | | 4A1165-05 | 1 | | | | | | | | | |
| 12 | Silicone Hose | L=332 mm | 773013896 | 1 | | | | | | | | | |
| 13 | Drain Hose | | 3A8170-01 | 1 | | | | | | | | | |
| 14 | Vinyl Hose | L=289 mm | 7725-1923 | 1 | | | | | | | | | |
| 15 | Vinyl Hose | L=30 mm | 7725-1923 | 2 | | | | | | | | | |
| 16 | Vinyl Hose | L=345 mm | 4A0658L01 | 1 | | | | | | | | | |
| 17 | Elbow | | 4A5624-01 | 1 | | | | | | | | | |
| Clamps | | | | | | | | | | | | | |
| | Hose Clamp | 32-37 mm | 4A2017-03 | 2 | | | | | | | | | |
| | Hose Clamp | 17-21 mm | 4A2017-05 | 1 | | | | | | | | | |
| | Hose Clamp | 19-22 mm | 4A2017-06 | 1 | | | | | | | | | |
| | Hose Clamp | 13.5-15 mm | 4A2017-08 | 4 | | | | | | | | | |

D. Control Box Assembly
F-450MAJ(-C)
F-0 to H-0

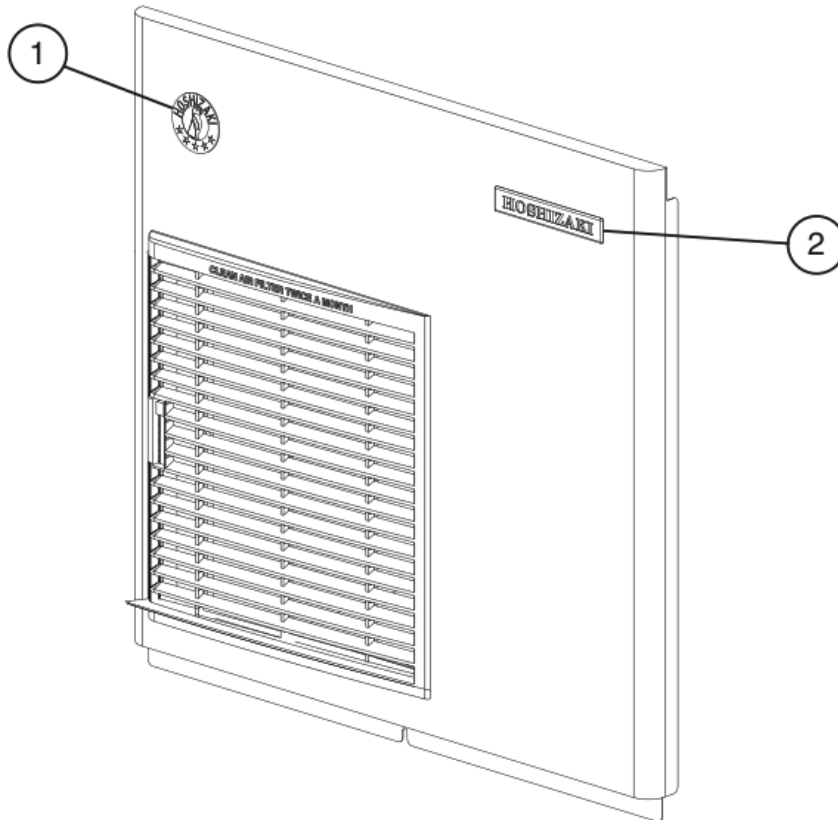


| Title: D. Control Box Assembly Model: F-450MAJ(-C) | | | | | | | | | | | | |
|--|--------------------------|--------------------------|-------------|------------|-----------------|--|--|--|--|--|--|--|
| Index No. | Description | Material or Model Number | Part Number | F-0 to H-0 | Required Number | | | | | | | |
| | | | | | | | | | | | | |
| 1 | Control Board | | 2A8054-01 | 1 | | | | | | | | |
| 1a | Control Board Support | | 4A0336-03 | 4 | | | | | | | | |
| 2 | Control Switch (rocker) | | 4A0558-01 | 1 | | | | | | | | |
| 3 | Power Switch (toggle) | | 4A2332-01 | 1 | | | | | | | | |
| 4 | Start Relay | | 4A1107-18 | 1 | | | | | | | | |
| 5 | Fuse Holder | | 4A5443-01 | 1 | | | | | | | | |
| 6 | Fuse | AGC-3A, 250VAC | 4A0893-03 | 1 | | | | | | | | |
| 7 | Fuse Holder | | 4A6101-01 | 1 | | | | | | | | |
| 8 | Fuse | GMD-2.0A, 250VAC | 4A0893-05 | 1 | | | | | | | | |
| 9 | Control Transformer | | 4A0507-01 | 1 | | | | | | | | |
| 10 | Run Capacitor | 35MFD, 440VAC | 3A2005-12 | 1 | | | | | | | | |
| 11 | Start Capacitor | 243-292MFD, 165VAC | 3A0076-20 | 1 | | | | | | | | |
| 12 | Fan Motor Capacitor | 5MFD, 250VAC | 443192-02 | 1 | | | | | | | | |
| 13 | Gear Motor Capacitor | 20MFD, 350VAC | 4A4319-01 | 1 | | | | | | | | |
| 14 | Compressor Control Relay | 120VAC | 406132-07 | 1 | | | | | | | | |

E. Accessories & Labels

F-450MAJ(-C)

F-0 to H-0



| Title: E. Accessories & Labels | | Model: F-450MAJ(-C) | | Required Number | | | | | | | |
|--------------------------------|------------------|--------------------------|-------------|-----------------|--|--|--|--|--|--|--|
| Index No. | Description | Material or Model Number | Part Number | F-0 to H-0 | | | | | | | |
| 1 | Penguin-Ha Label | | 475552L02 | 1 | | | | | | | |
| 2 | Hoshizaki Emblem | | 4A0560-01 | 1 | | | | | | | |
| 3 | Universal Brace | | 4A0363-01 | 2 | | | | | | | |
| 3a | Hex Head Bolt | 5x12, SS | 7B02-0512 | 2 | | | | | | | |