



**HOSHIZAKI
MODULAR FLAKER**



MODEL

F-800MAH(-C)

F-800MWH(-C)

PARTS LIST

F-800MAH	L-0	APRIL, 2001
F-800MAH-C	L-0	
F-800MWH	L-0	MAY, 2001
F-800MWH-C	L-0	MAY, 2001

MATERIAL ABBREVIATIONS

ALUMINUM

AL = Aluminum

COPPER

CU = Copper

PLASTIC

ABS = Acrylonitrile -butadiene - styrene
 AC = Polyacetal
 EVA = Ethylene vinyl acetate
 PA = Polyamide = Nylon
 PC = Polycarbonate
 PE = Polyethylene
 PES = Polyester
 PETP = Polyethylene terephthalate = Tetlon
 PP = Polypropylene
 PS = Polystyrene
 PTFE = Polytetrafluoroethylene = Teflon
 PUR = Polyurethane
 PVC = Polyvinyl chloride

RUBBER

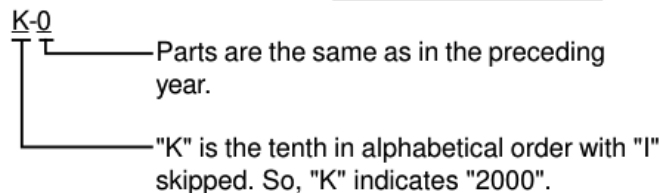
VN = Vinyl Nitrile
 EPDM = EP rubber
 NBR = Nitrile butadiene rubber
 NR = Natural rubber
 NP = Neoprene
 SI.R = Silicone rubber
 SY.R = Synthetic rubber
 EPH = Epichlorohydrin

STEEL

GS = Galvanized steel
 SS = Stainless steel
 PS = Plated steel
 PAS = Primed steel

AUXILIARY CODE

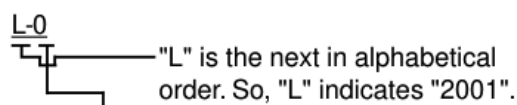
Ex.1



(Note) - = Part deleted.

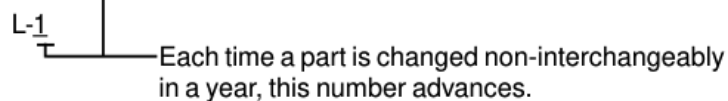
x = Part deleted and replaced by "o" (interchangeable) part.

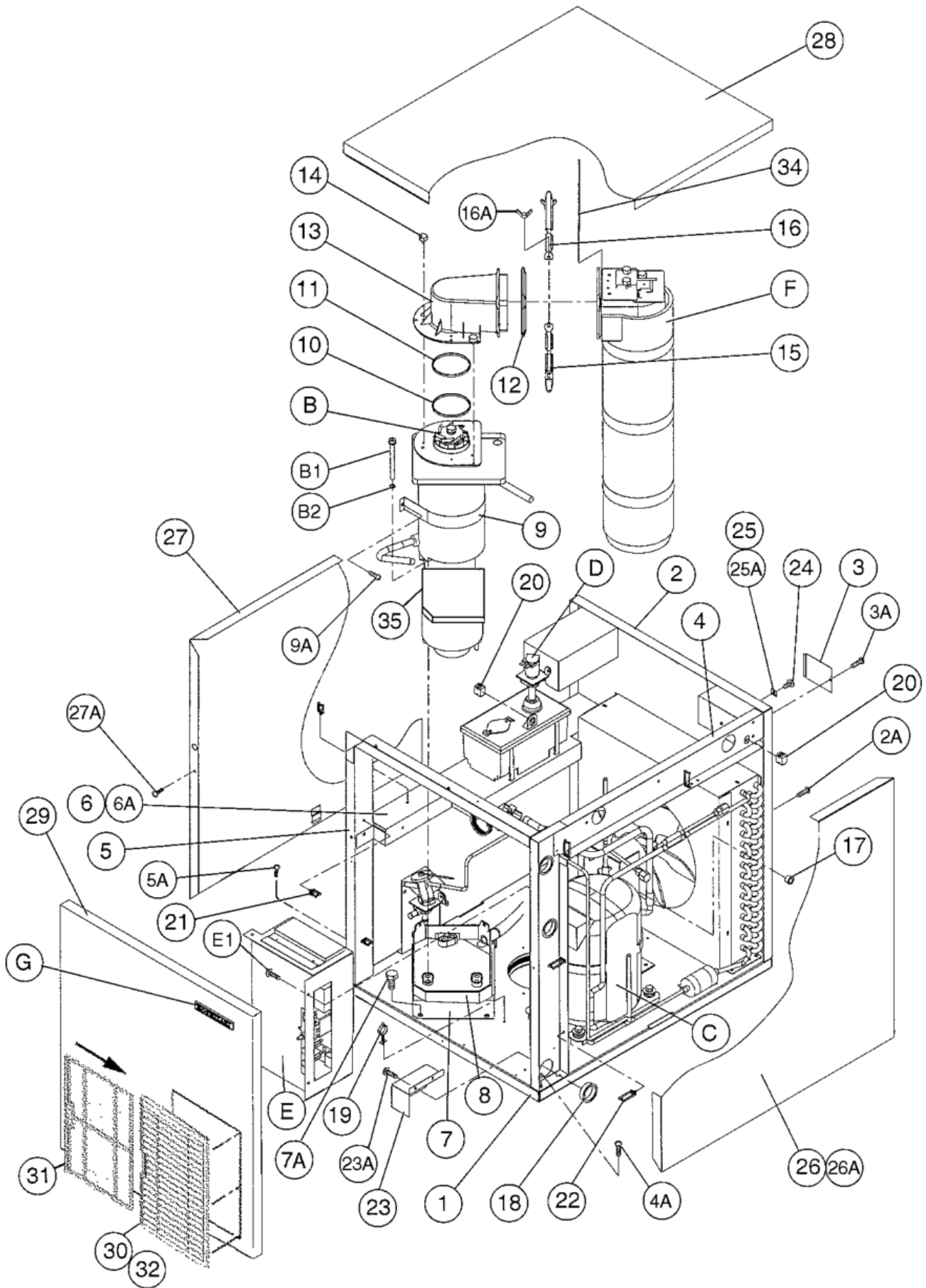
Ex.2



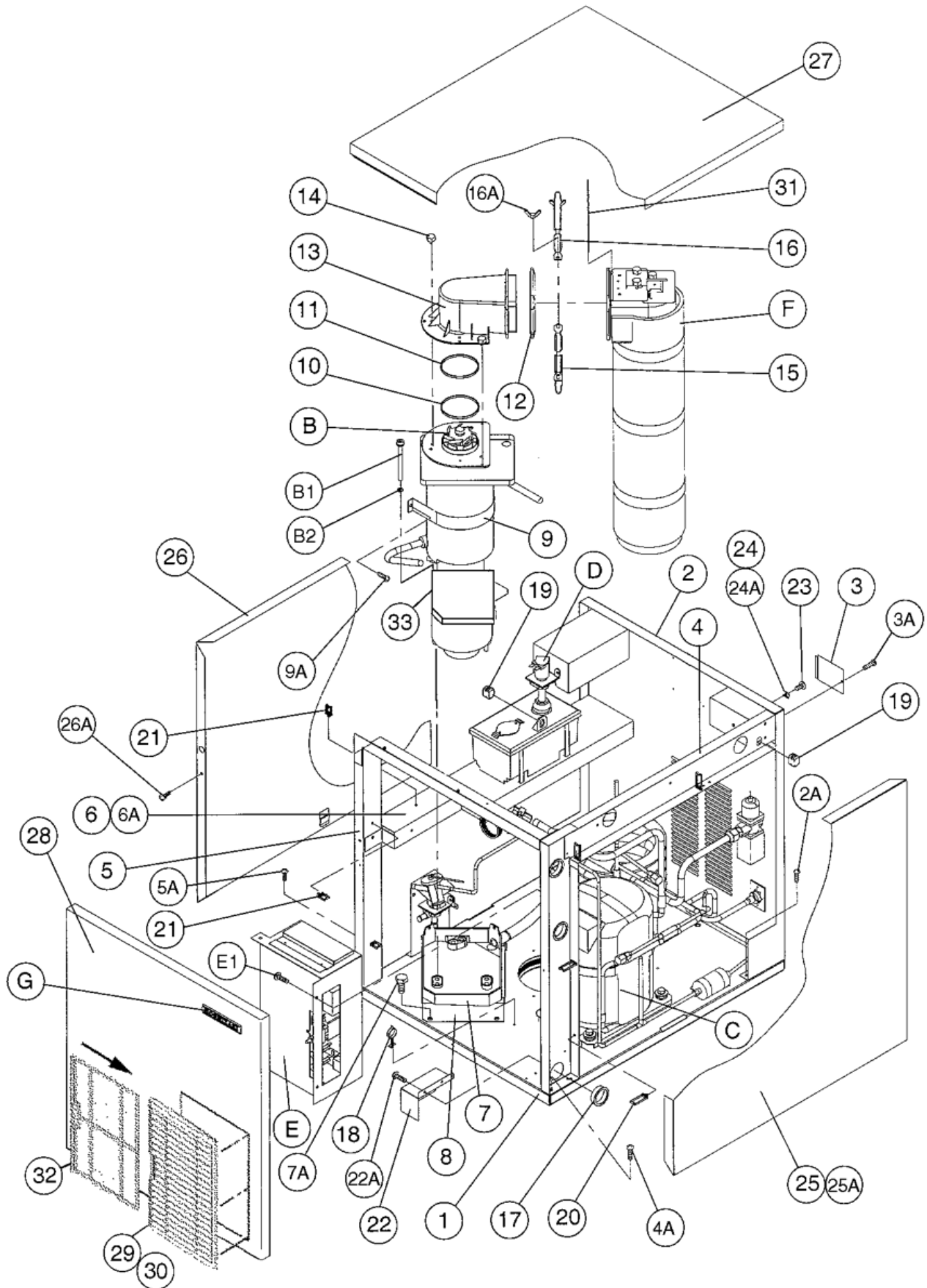
o = New part for "x" in the same auxiliary code.

Ex.3

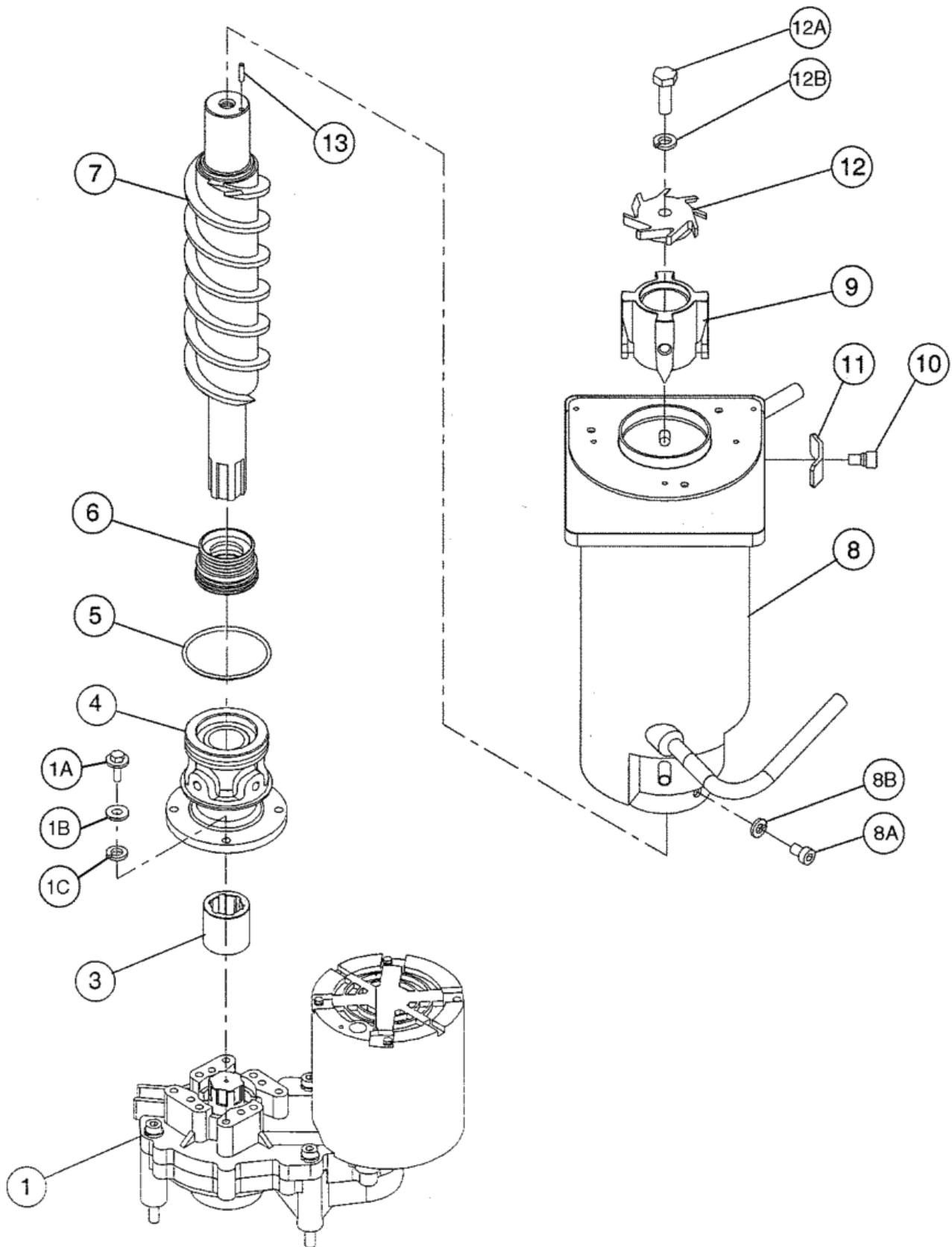




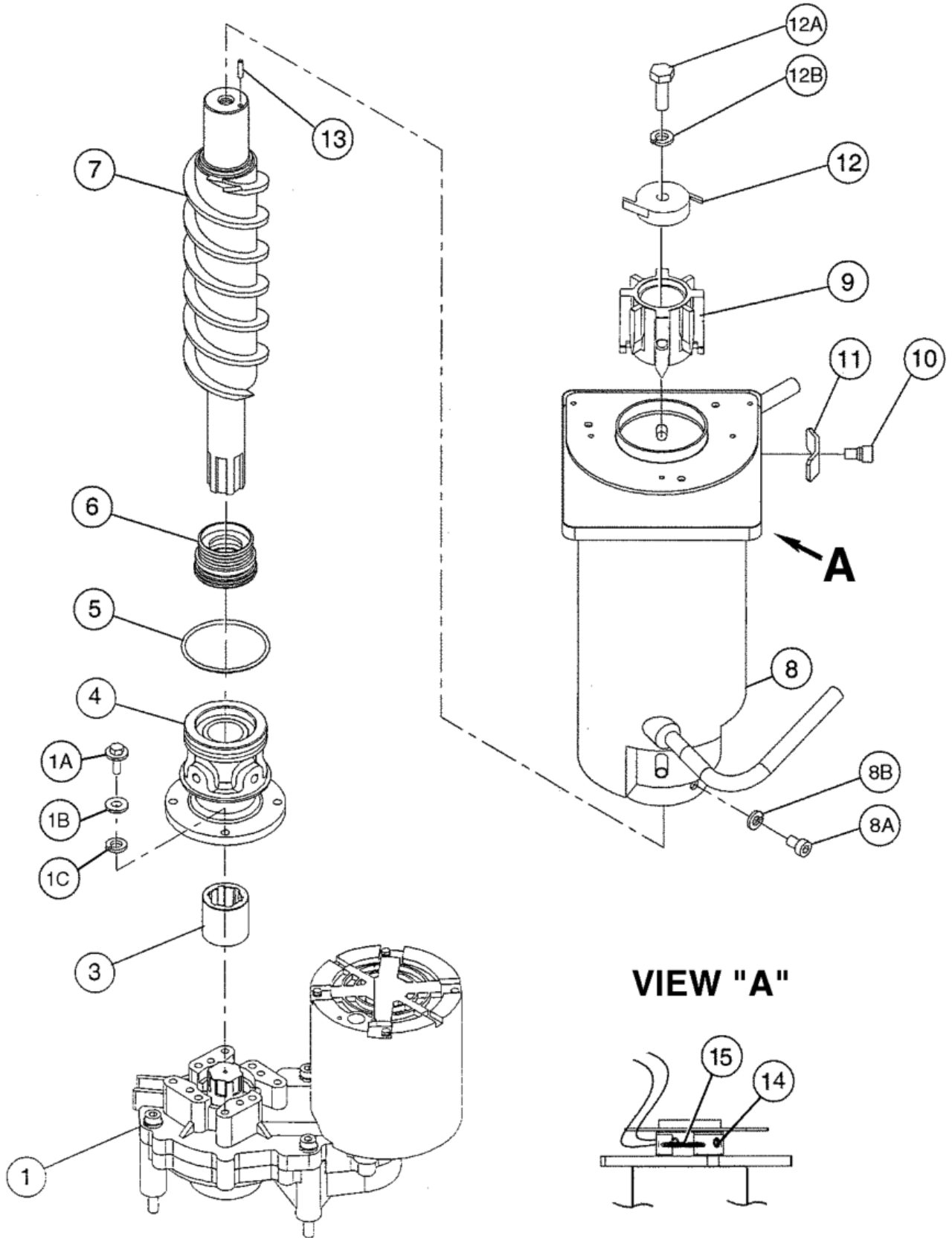
MODEL: F-800MAH(-C)		TITLE: A. ICE FLAKER ASSEMBLY						
INDEX NO.	DESCRIPTION	MATERIAL OR MODEL NUMBER	PART NUMBER	REQUIRED NUMBER				
				L-0				
1	CHASSIS	GS	2A1176G01	1				
2	REAR PANEL	GS	2A0322G02	1				
2A	T2 SCREW	4X8	7P31-0408	4				
3	JUNCTION BOX COVER	GS	433410-01	1				
3A	T2 SCREW	4X8	7P31-0408	1				
4	SIDE FRAME (R)	GS	2A1047G01	1				
4A	TRUSS HEAD SCREW	4X8	7C31-0408	2				
5	FRONT FRAME	GS	3A0324G01	1				
5A	TRUSS HEAD SCREW	4X8	7C31-0408	2				
6	RESERVOIR BRACKET	GS	2A1060-01	1				
6A	T2 SCREW	4X8	7P31-0408	4				
7	BRACKET – GEAR MOTOR	GS	3A0396G01	1				
7A	HEX BOLT	8X12, SS	7B02-0812	2				
8	DRAIN PAN	ABS	323765G02	1				
9	STRAP	GS	4A1474-01	1				
9A	T3 SCREW	5X12	7G31-0512	2				
10	RING	PA	432661-02	1				
11	“O” RING	G70	7616-G070	1				
12	PACKING-SPOUT	EPDM	321037-01	1				
13	SPOUT	PC	104797-01	1				
14	THUMBSCREW	SS, ABS	415949G04	3				
15	STRAP	SS	321038G02	1				
16	STRAP	SS	328703-02	1				
16A	WING NUT	6, SS	7E12-0600	2				
17	BUSHING	SB-1500-21	420470-09	1				
18	BUSHING	SB-1500-21	420470-06	3				
19	CLAMP	WS75-75-C	4A0337-12	3				
20	BUSHING	SR-30-1	420472-03	2				
21	WIRE SADDLE	LWS-2NS	4A0338-02	5				
22	WIRE SADDLE	LWS-4NS	4A0338-04	4				



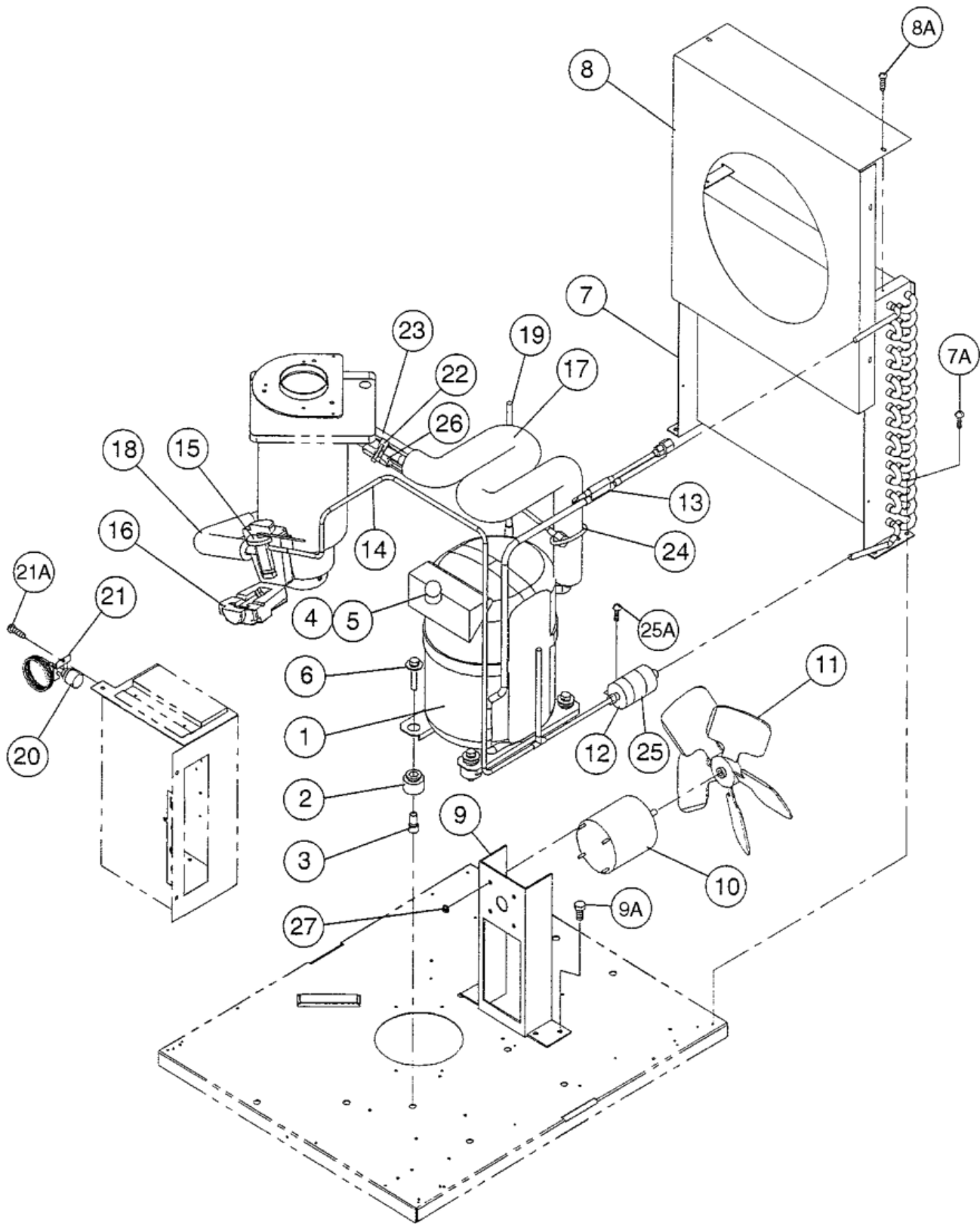
MODEL: F-800MWH(-C)				TITLE: A. ICE FLAKER ASSEMBLY				
INDEX NO.	DESCRIPTION	MATERIAL OR MODEL NUMBER	PART NUMBER	REQUIRED NUMBER				
				L-0				
1	CHASSIS	GS	2A1176G01	1				
2	REAR PANEL	GS	2A1012G01	1				
2A	T2 SCREW	4X8	7P31-0408	4				
3	JUNCTION BOX COVER	GS	433410-01	1				
3A	T2 SCREW	4X8	7P31-0408	1				
4	SIDE FRAME (R)	GS	2A1047G01	1				
4A	TRUSS HEAD SCREW	4X8	7C31-0408	2				
5	FRONT FRAME	GS	3A0324G01	1				
5A	TRUSS HEAD SCREW	4X8	7C31-0408	2				
6	RESERVOIR BRACKET	GS	2A1059-01	1				
6A	T2 SCREW	4X8	7P31-0408	4				
7	BRACKET – GEAR MOTOR	GS	3A0396G01	1				
7A	HEX BOLT	8X12, SS	7B02-0812	2				
8	DRAIN PAN	ABS	323765G02	1				
9	STRAP	GS	4A1474-01	1				
9A	T3 SCREW	5X12	7G31-0512	2				
10	RING	PA	432661-02	1				
11	“O” RING	G70	7616-G070	1				
12	PACKING-SPOUT	EPDM	321037-01	1				
13	SPOUT	PC	104797-01	1				
14	THUMBSCREW	SS, ABS	415949G04	3				
15	STRAP	SS	321038G02	1				
16	STRAP	SS	328703-02	1				
16A	WING NUT	6, SS	7E12-0600	2				
17	BUSHING	SB-1500-21	420470-06	3				
18	CLAMP	WS75-75-C	4A0337-12	3				
19	BUSHING	SR-30-1	420472-03	2				
20	WIRE SADDLE	LWS-2NS	4A0338-02	5				
21	WIRE SADDLE	LWS-4NS	4A0338-04	4				
22	BARRIER	GS	4A0688-01	1				
22A	TRUSS HEAD SCREW	4X8	7C31-0408	2				



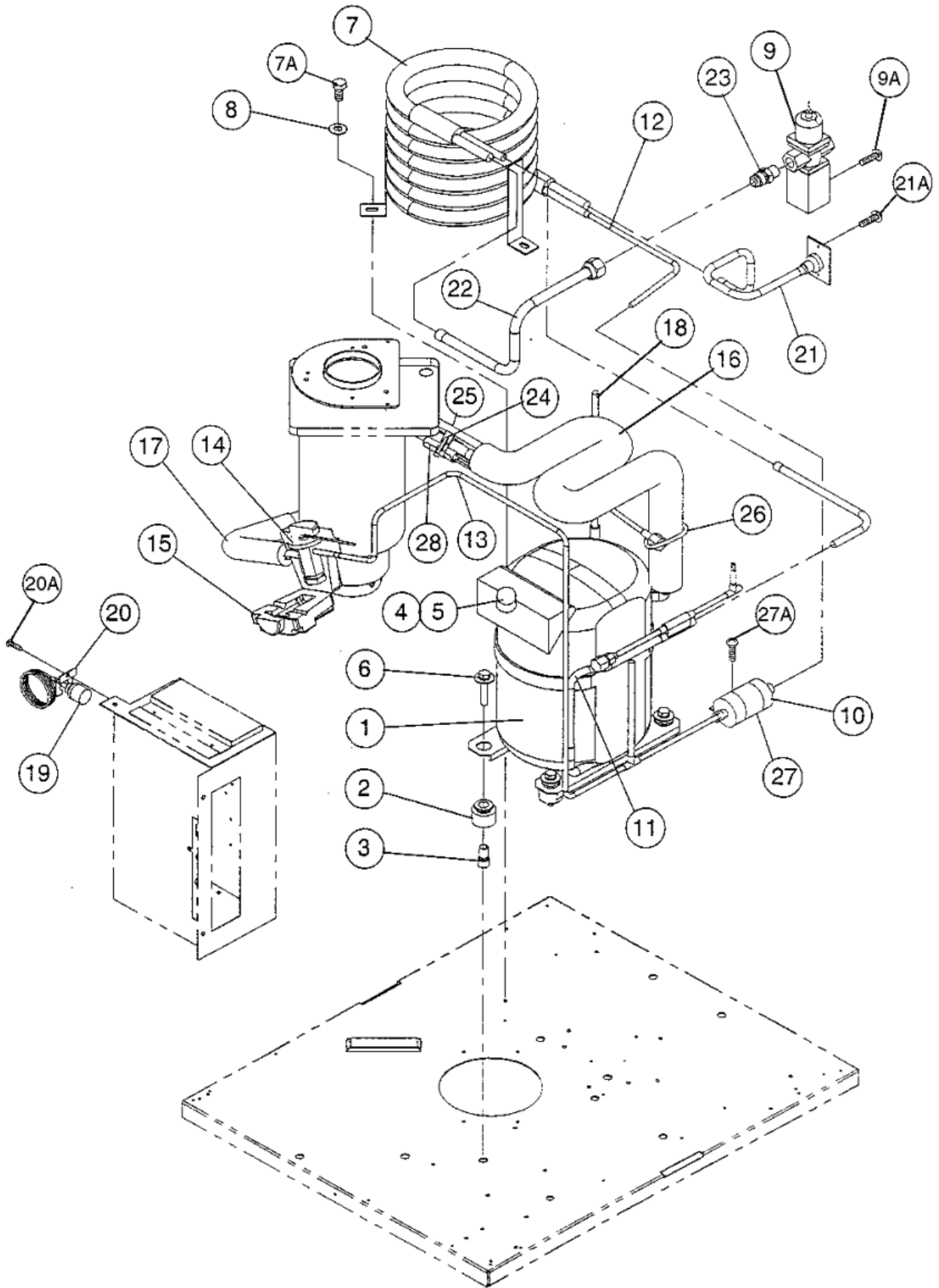
MODEL: F-800MAH, MWH		TITLE: B. ICE MAKING UNIT						
INDEX NO.	DESCRIPTION	MATERIAL OR MODEL NUMBER	PART NUMBER	REQUIRED NUMBER				
				L-0				
1	GEAR MOTOR	V06695-ACAA	4A2194-01	1				
1A	BOLT	6X20	458660-01	4				
1B	PLAIN WASHER	6.4X12.5X1.6, SS	7W22-0616	4				
1C	SPRING WASHER	6, SS	7L22-0600	4				
2	-	-	-					
3	COUPLING - SPLINE	SS	4A1297-01	1				
4	HOUSING	BRASS	2A0947G01	1				
5	"O" RING	G65	7616-G065	1				
6	MECHANICAL SEAL	HK9A-MN	432492-01	1				
7	AUGER	SS	2A0932G02	1				
8	EVAPORATOR	-	2A1227G01	1				
8A	SOCKET HEAD CAP SCREW	8X12, SS	7S12-0812	4				
8B	SPLIT LOCK WASHER	8, SS	7L22-0800	4				
9	EXTRUDING HEAD / 70F	SS	3A2175G01	1				
10	SOCKET HEAD CAP SCREW	SS, M10X15	429121-01	4				
11	WASHER	SS	427184-01	4				
12	CUTTER	SS	317071-02	1				
12A	HEX HEAD BOLT	10X30, SS	7B02-1030	1				
12B	SPLIT LOCK WASHER	10, SS	7L22-1000	1				
13	DOWEL PIN	SS, 4 x 16	713S-0416	1				



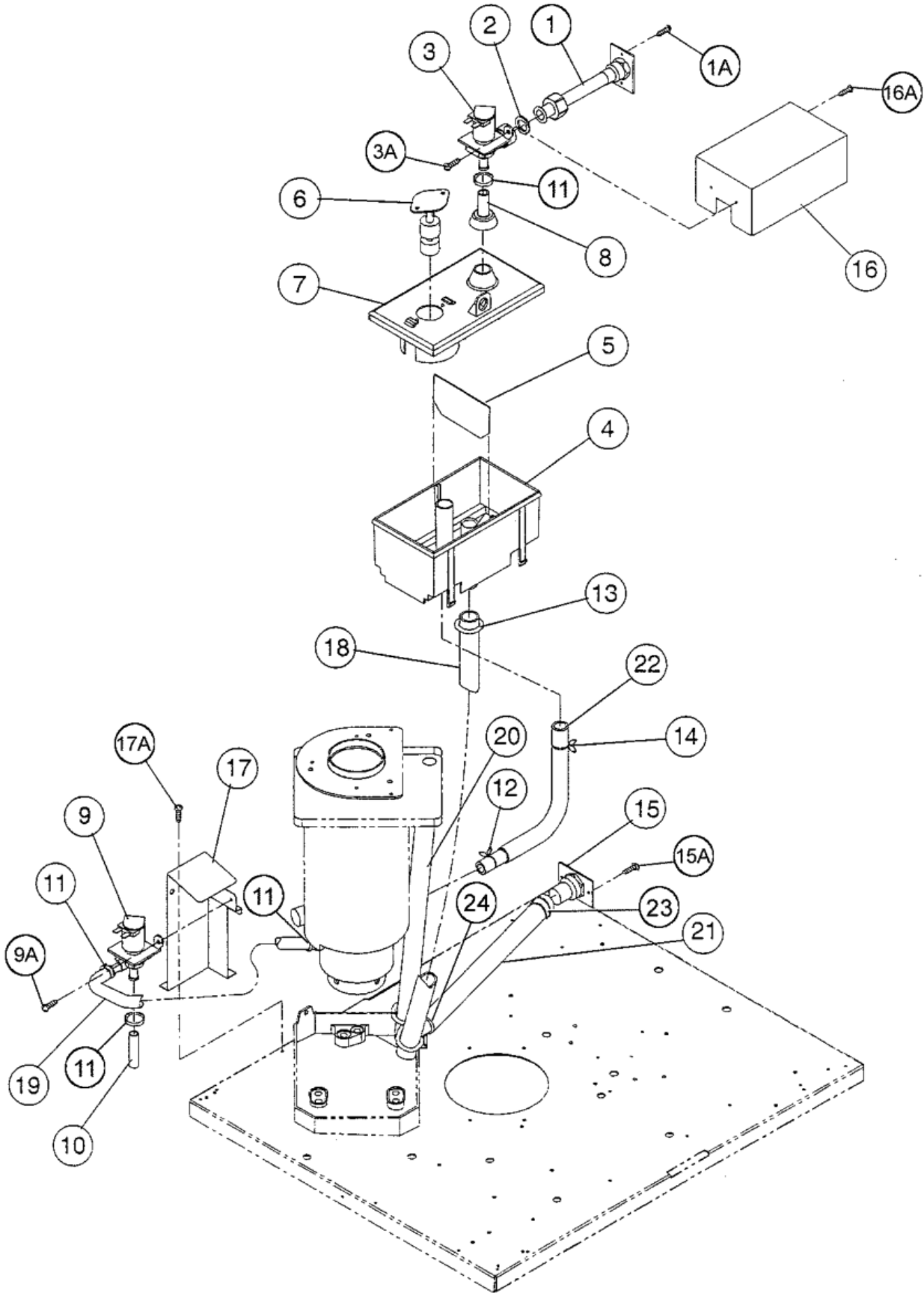
MODEL: F-800MAH-C, MWH-C				TITLE: B. ICE MAKING UNIT				
INDEX NO.	DESCRIPTION	MATERIAL OR MODEL NUMBER	PART NUMBER	REQUIRED NUMBER				
				L-0				
1	GEAR MOTOR	V06695-ACAA	4A2194-01	1				
1A	BOLT	6X20	458660-01	4				
1B	PLAIN WASHER	6.4X12.5X1.6, SS	7W22-0616	4				
1C	SPRING WASHER	6, SS	7L22-0600	4				
2	-	-	-					
3	COUPLING - SPLINE	SS	4A1297-01	1				
4	HOUSING	BRASS	2A0947G01	1				
5	"O" RING	G65	7616-G065	1				
6	MECHANICAL SEAL	HK9A-MN	432492-01	1				
7	AUGER	SS	2A0932G02	1				
8	EVAPORATOR	-	2A1227G01	1				
8A	SOCKET HEAD CAP SCREW	8X12, SS	7S12-0812	4				
8B	SPLIT LOCK WASHER	8, SS	7L22-0800	4				
9	EXTRUDING HEAD / 70F	SS	3A2176G01	1				
10	SOCKET HEAD CAP SCREW	SS, M10X15	429121-01	4				
11	WASHER	SS	427184-01	4				
12	CUTTER	SS	327145-01	1				
12A	HEX HEAD BOLT	10X30, SS	7B02-1030	1				
12B	SPLIT LOCK WASHER	10, SS	7L22-1000	1				
13	DOWEL PIN	SS, 4 x 16	713S-0416	1				
14	HEATER	-	4A2292-01	1				
15	SPRING	-	4A2292F01	1				



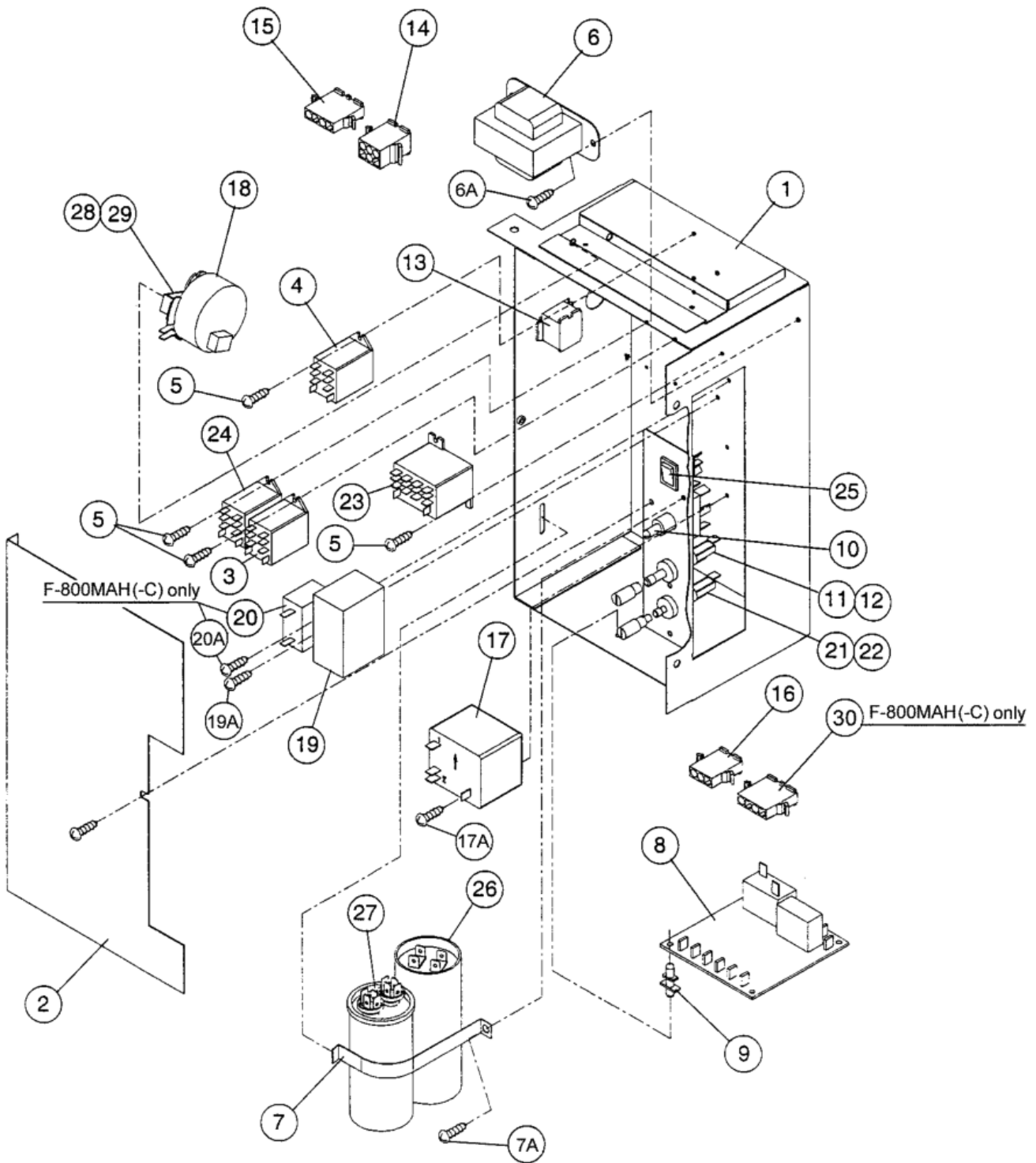
MODEL: F-800MAH(-C) TITLE: C. REFRIGERATION UNIT								
INDEX NO.	DESCRIPTION	MATERIAL OR MODEL NUMBER	PART NUMBER	REQUIRED NUMBER				
				L-0				
1	COMPRESSOR	RS55-C2E-CAA	4A1843-01	1				
2	GROMMET	027-0073-00	434403-01	4				
3	SPACER	027-0072-02	434404-01	4				
4	PROTECTOR	-	4A1877-01	1				
5	PROTECTOR HOLDER	-	4A1843F04	1				
6	BOLT	8X50	437889-01	4				
7	CONDENSER-AIR COOLED	971634C	2A0340-01	1				
7A	FT SCREW	4X8, SS	7F32-0408	4				
8	SHROUD	GS	2A0334-01	1				
8A	T2 SCREW	4X8	7P31-0408	6				
9	FAN MOTOR BRACKET	GS	327180-01	1				
9A	HEX HEAD BOLT W/WASHER	5X12, SS	7B0230512	4				
10	FAN MOTOR	U90B17190-1031	440911-01	1				
11	FAN BLADE	AD10CW32	444898-01	1				
12	DRIER	ATCH-032S	4A1113-01	1				
13	COPPER TUBE (A) - HIGH SIDE	COPPER	3A0945G01	1				
14	COPPER TUBE (B) -HIGH SIDE	COPPER	3A0946G01	1				
15	EXPANSION VALVE	AN-1-SC	4A1117-01	1				
16	EXPANSION VALVE COVER	PE FOAM	4A1168-01	1				
17	COPPER TUBE – LOW SIDE	COPPER	3A1820G01	1				
18	INSULATION TUBE	L=170	7762-1330	1				
19	COPPER TUBE-ACCESS VALVE	COPPER	4A1364G01	1				
20	PRESSURE SWITCH	ACB-2UB04	433441-05	1				
21	PRESSURE SWITCH BRACKET	GS	434938-01	1				
21A	T2 SCREW	4X8	7P31-0408	1				
22	CLAMP	-	443461-01	1				
23	INSULATION TUBE	L=130	7762-2943	1				
24	CABLE TIE	CV-150	7920-0003	10				
25	DRIER BRACKET	GS	445847-01	1				
25A	FT SCREW	4X8	7F31-0408	1				



MODEL: F-800MWH(-C) TITLE: C. REFRIGERATION UNIT								
INDEX NO.	DESCRIPTION	MATERIAL OR MODEL NUMBER	PART NUMBER	REQUIRED NUMBER				
				L-0				
1	COMPRESSOR	R5S55C2E-CAA	4A1843-01	1				
2	GROMMET	027-0073-00	434403-01	4				
3	SPACER	027-0072-02	434404-01	4				
4	PROTECTOR	-	4A1877-01	1				
5	PROTECTOR HOLDER	-	4A1843F04	1				
6	BOLT	8X50	437889-01	4				
7	CONDENSER-WATER COOLED	-	212929-04	1				
7A	HEX BOLT W/WASHER (LF)	5X10, SS	7B0230510	3				
8	WASHER	-	4A0655-03	3				
9	WATER REGULATOR	V46EA-7	4A0911-04	1				
9A	TRUSS HEAD SCREW	4X8	7C31-0408	2				
10	DRIER	ATCH-032S	4A1113-01	1				
11	COPPER TUBE (A) - HIGH SIDE	COPPER	3A0958G01	1				
12	COPPER TUBE (B) - HIGH SIDE	COPPER	3A0946G01	1				
13	COPPER TUBE (C) - HIGH SIDE	COPPER	3A0959-01	1				
14	EXPANSION VALVE	AN-1-SC	4A1117-01	1				
15	EXPANSION VALVE COVER	PE FOAM	4A1168-01	1				
16	COPPER TUBE – LOW SIDE	COPPER	3A1820G01	1				
17	INSULATION TUBE	L=170	7762-1330	1				
18	COPPER TUBE - ACCESS VALVE	COPPER	4A1364G01	1				
19	PRESSURE SWITCH	ACB-2UB04	433441-05	1				
20	PRESSURE SWITCH BRACKET	GS	434938-01	1				
20A	T2 SCREW	4X8	7P31-0408	1				
21	COPPER TUBE (A) -WATER INLET	COPPER	3A0960G01	1				
21A	T2 SCREW	4X8	7P31-0408	2				
22	COPPER TUBE (B) -WATER OUTLET	COPPER	3A0961G01	1				
23	MALE CONNECTOR	48F-8-6	4A1087-01	1				
24	CLAMP	08	443461-01	1				
25	INSULATION TUBE	L=130	7762-2943	1				
26	CABLE TIE	CV-150	7920-0003	14				



MODEL: F-800MAH(-C), MWH(-C)		TITLE: D. WATER CIRCUIT					
INDEX NO.	DESCRIPTION	MATERIAL OR MODEL NUMBER	PART NUMBER	REQUIRED NUMBER			
				L-0			
1	WATER SUPPLY PIPE	COPPER	4A0891G01	1			
1A	T2 SCREW	4X8	7P31-0408	2			
2	WASHER	K-59963	4A0867-01	1			
3	WATER VALVE	S-30	4A0865-01	1			
3A	T2 SCREW	4X8, SS	7P32-0408	2			
4	RESERVOIR	PP	2A0753-01	1			
5	SEPARATOR-RESERVOIR	ABS	4A1255-01	1			
6	FLOAT SWITCH	TW-1221-101	435490-01	1			
7	RESERVOIR COVER	PP	214810-01	1			
8	INLET- RESERVOIR	SI.R.	4A0869-01	1			
9	WATER VALVE	S-60N	4A2077-01	1			
9A	T2 SCREW	4X8	7P31-0408	2			
10	VINYL HOSE	L=40	7716-0913	1			
11	HOSE CLAMP	-	4A2017-08	4			
12	HOSE CLAMP	-	4A2017-05	1			
13	CABLE TIE	CV-150	7920-0003	4			
14	HOSE CLAMP	-	4A2017-06	1			
15	FITTING	COPPER	4A0776G01	1			
15A	T2 SCREW	4X8	7P31-0406	2			
16	WATER VALVE BRACKET	GS	3A0553-01	1			
16A	T2 SCREW	4X8	7P31-0408	3			
17	WATER VALVE BRACKET (D)	GS	3A0554-01	1			
17A	T2 SCREW	4X8	7P31-0408	2			
18	SILICONE HOSE	L=410	7730-1822	1			
19	SILICONE HOSE	L=225	7730I3896	1			
20	VINYL HOSE	L=430	7725-1923	1			
21	VINYL HOSE	L=390	7716-2025	1			
22	RESERVOIR HOSE	EPDM	4A1165-01	1			
23	HOSE CLAMP	-	4A2017-02	1			
24	HOSE CLAMP	-	4A2017-01	1			



MODEL: F-800MAH(-C), MWH(-C) TITLE: E. CONTROL BOX ASSEMBLY							
INDEX NO.	DESCRIPTION	MATERIAL OR MODEL NUMBER	PART NUMBER	REQUIRED NUMBER			
				L-0			
1	CONTROL BOX	GS	2A0229G04	1			
2	COVER-CONTROL BOX	GS	3A0411-01	1			
2A	TRUSS HEAD SCREW	4X8	7C31-0408	1			
3	RELAY	LY-1F, AC120V	418271-03	1			
4	RELAY	LY-2F, AC24V	406132-03	1			
5	TAPPING SCREW	3X8	431415-01	8			
6	TRANSFORMER	BE1416225GEK 120/24V, 1A	4A0557-01	1			
6A	T2 SCREW	4X8	7P31-0408	2			
7	STRAP	GS	434580-05	x1			
		GS	4A2262-03	o1			
7A	T2 SCREW	4X8	7P31-0408	2			
8	TIMER BOARD	H2AA144C01	437305-01	1			
9	BOARD SUPPORT	CBLS37-N	4A0336-03	4			
10	TOGGLE SWITCH	7599K1	4A2332-01	1			
11	FUSE HOLDER	HTB921, 250V, 1A	4A0892-01	1			
12	FUSE	AGC-1, 250V, 1A	4A0893-01	1			
13	9P PLUG HOUSING	3191-09P	412832-02	1			
14	6P PLUG HOUSING	3191-06P	412832-03	1			
15	4P PLUG HOUSING	3191-04P	412832-05	1			
16	3P PLUG HOUSING	3191-03P	412832-06	1			
17	STARTER	3ARR3CT24S5	4A1107-13	1			
17A	T2 SCREW	4X8	7P31-0408	1			
18	TIMER	9816-2	4A0889-01	1			
19	CAPACITOR (GM)	12FD, 330VAC	4A0894-01	1			
19A	T2 SCREW	4X8	7P31-0408	1			
20	CAPACITOR (FM) [F-800MAH(-C) ONLY]	5MFD	443192-02	1			
20A	T2 SCREW [F-800MAH(-C) ONLY]	4X8	7P31-0408	1			
21	FUSE	GMD 1.5A	4A0893-04	1			
22	FUSE HOLDER	HTB92M	4A0892-02	1			
23	RELAY	LY-4F,AC24V	406133-04	1			

