



# HOSHIZAKI

## Parts List

Modular Flaker

Models

F-80 IMAJ(-C), MWJ(-C)



[hoshizakiamerica.com](http://hoshizakiamerica.com)

Number: 71369  
Issued: 5-26-2016  
Revised: 8-23-2019

## CONTENTS

Auxiliary Codes.....	3
Note About Ordering Parts .....	3
A. Main Assembly & Refrigeration Circuit .....	4
F-801MAJ(-C).....	4
F-801MWJ(-C) .....	6
B. Icemaking Unit.....	8
C. Water Circuit.....	10
D. Control Box Assembly.....	12
E. Accessories & Labels .....	14

## Auxiliary Codes

### F-801MAJ

F-0 April 2016  
G-0 January 2017  
G-1 April 2017  
H-0 January 2018  
H-1 September 2018 H11148J and Earlier  
H-2 September 2018 H21149J and Later  
J-0 January 2019  
J-1 April 2019  
J-2 July 2019

### F-801MAJ-C

F-0 April 2016  
G-0 January 2017  
G-1 April 2017  
H-0 January 2018  
H-1 September 2018 H10997J and Earlier  
H-2 September 2018 H20998J and Later  
J-0 January 2019  
J-1 April 2019  
J-2 July 2019

### F-801MWJ

F-0 April 2016  
G-0 January 2017  
G-1 April 2017  
H-0 January 2018  
H-1 April 2018  
H-2 October 2018  
J-0 January 2019  
J-1 April 2019  
J-2 July 2019

### F-801MWJ-C

F-0 April 2016  
G-0 January 2017  
G-1 August 2017  
H-0 May 2018  
H-2 September 2018  
J-0 January 2019  
J-1 April 2019

## Auxiliary Code Breakdown

The auxiliary code is the first two characters in the serial number. The first character indicates the year. Years progress or regress in alphabetical order. The series runs from "A" through "V" and the letters "I" and "O" are skipped. The second character indicates significant part changes within a year. Base is "0" and this number advances for each change. In cases where there is a letter in parentheses, this designates the month. This is the last character in the serial number. The series runs from "(A)" through "(M)" and the letter "(I)" is skipped. This designation is only included when identifying a parts change within an auxiliary code.

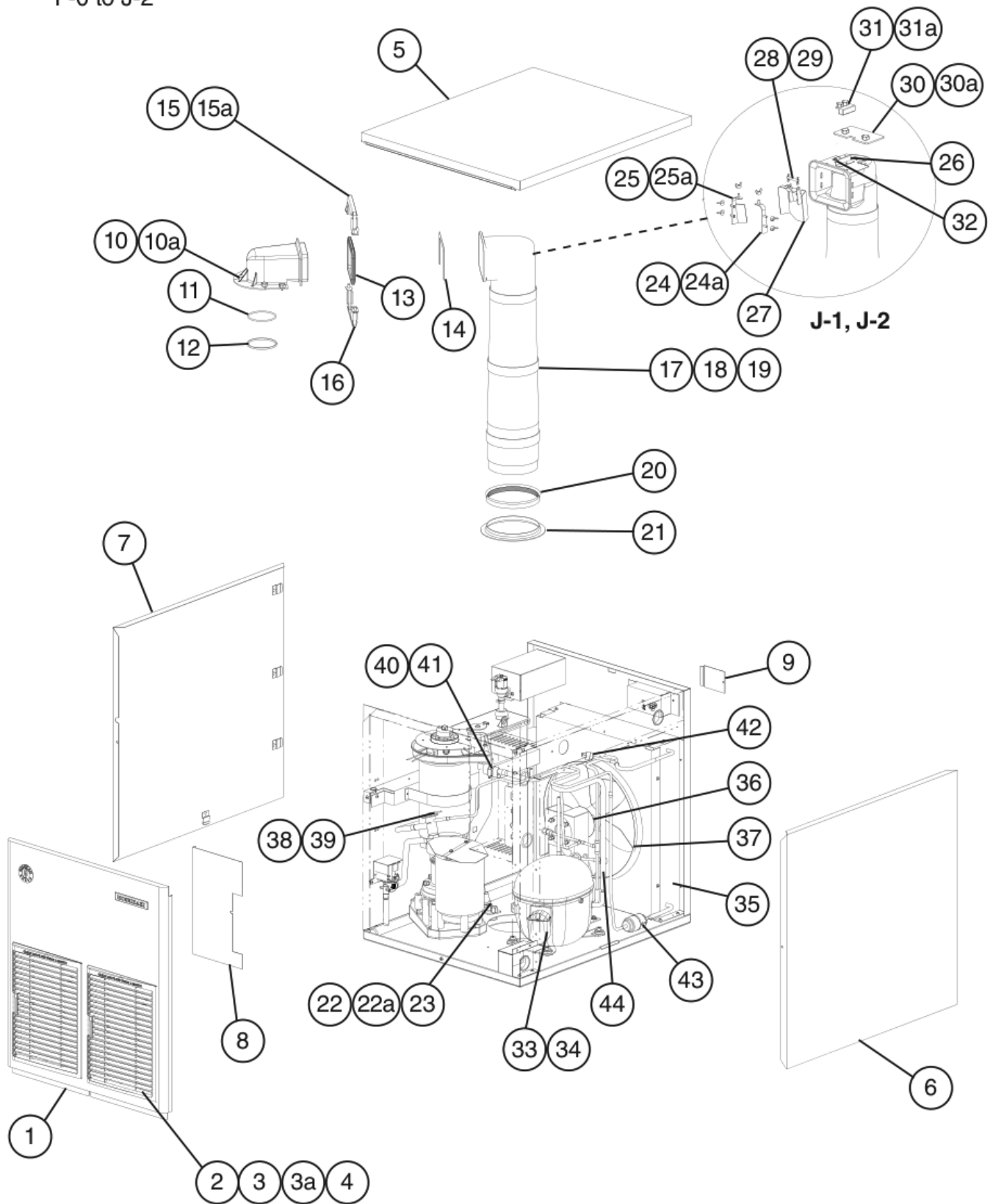
## Note About Ordering Parts

Most assemblies cannot be ordered as complete units; parts in the assemblies generally must be ordered separately.

# A. Main Assembly & Refrigeration Circuit

## F-801MAJ(-C)

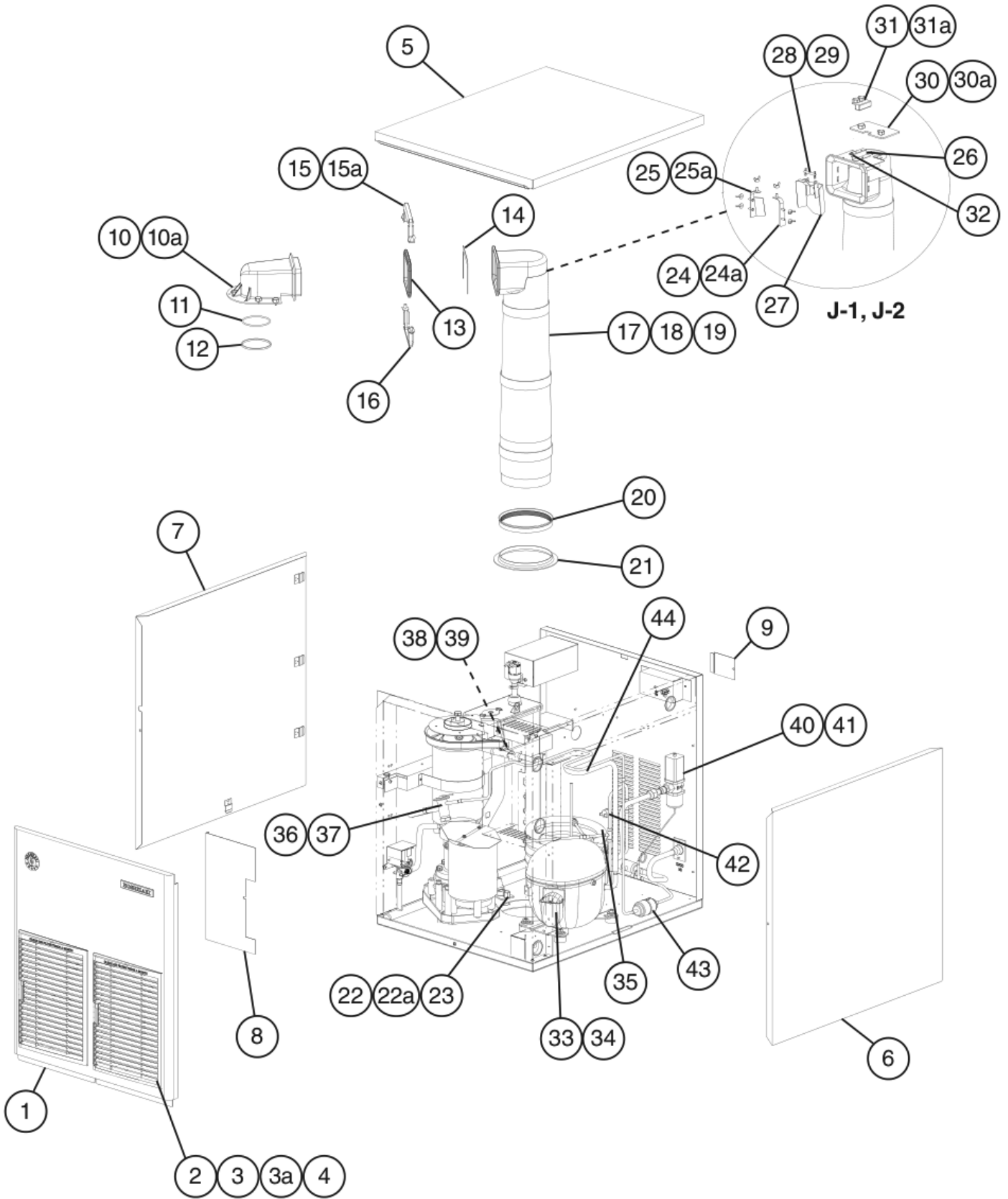
F-0 to J-2



Title: A. Main Assembly & Refrigeration Circuit Model: F-801MAJ(-C)											
Index No.	Description	Material or Model Number	Part Number	Required Number							
				F-0 to G-0	G-1 to H-2	J-0	J-1	J-2			
<b>Main Assembly</b>											
1	Front Panel		2A2124-01	1	1	-					
			2A2071-01			1	1				
2	Louver Assembly (includes items 3 and 4)		2A6649A02			1	1				
3	Louver		1A0547-01	1	1	-					
			1A0548-01			2	2				
3a	Push Retainer		4A2414-01	3	3	-					
4	Air Filter		2A2062G01	1	1	-					
			2A2063G01			2	2				
5	Top Panel		2A2064-02	1	1	1	1				
6	Right Side Panel		2A2073G01	1	1	1	1				
7	Left Side Panel		2A2072G01	1	1	1	1				
8	Control Box Cover		3A0411-01	1	1	1	1				
9	Junction Box Cover		433410-01	1	1	1	1				
10	Spout		104797-01	1	1	1	1				
10a	Thumbscrew		415949G08	5	5	5	5				
11	O-Ring		4A4755-03	1	1	1	1				
12	Nylon Ring		432661-02	1	1	1	1				
13	Spout-to-Chute Packing		321037-01	1	1	1	1				
14	Spout-to-Chute Bracket		4A1712-01	1	1	1	1				
15	Upper Strap		328703-02	1	1	1	1				
15a	Wing Nut		7E12-0600	2	2	2	2				
16	Lower Strap		321038G02	1	1	1	1				
17	Chute		2A1919-01	1	1	1	1				
18	Chute Insulation		2A1920-01	1	1	1	1				
19	Chute Tie		436531G01	3	-						
20	Chute Packing		432877-01	1	1	1	1				
21	Ring		3A1017-01	1	1	1	1				
22	Bin Control Housing (infrared sensor)		3A3478-01	1	1	1	1				
22a	Thumbscrew		415949G12	1	1	1	1				
23	Bin Control 1 (infrared sensor)		4A4469-01	1	1	1	1				
24	Chute Baffle A		3A0400G01				1				
24a	Wing Nut		7E12-0400				3				
25	Chute Baffle B		3A0399G01				1				
25a	Wing Nut		7E12-0400				3				
26	Bin Control 2 Bracket (mechanical bin control)		3A1744G01				1				
27	Actuator		436848G01				1				
28	Shaft		436851-01				1				
29	Snap Pin		715S-0005				2				
30	Plate		4A2039-01				1				
30a	Thumbscrew		415949G10				2				
31	Bin Control 2 Proximity Switch (mechanical bin control)		4A2033-01				1				
31a	Thumbscrew		415949G10				2				
32	Truss Head Screw (ground)		7C32-0408				1				

Title: A. Main Assembly & Refrigeration Circuit Model: F-801MAJ(-C)												
Index No.	Description	Material or Model Number	Part Number	Required Number								
				F-0 to G-0	G-1 to H-2	J-0	J-1	J-2				
<b>Refrigeration Circuit</b>												
33	Compressor		4A4479-01	1	1	1	1					
34	External Protector		4A4481-01	1	1	1	1					
35	Condenser		211663-02	1	1	1	1					
36	Fan Motor		4A3158-01	1	1	1	1					
37	Fan Blade		4A0197-01	1	1	1	1					
38	Thermostatic Expansion Valve		4A1117-01	1	1	1	1					
39	Thermostatic Expansion Valve Cover		4A1168-01	1	1	1	1					
40	Thermostatic Expansion Valve Bulb Holder		3A0112-01	1	1	1	1					
41	Clamp		443461-01	1	1	1	1					
42	High-Pressure Switch		463180-05	1	1	1	1					
43	Drier		4A1113-01	1	1	1	1					
44	Heat Exchanger		3A5889G01	1	1	1	1					

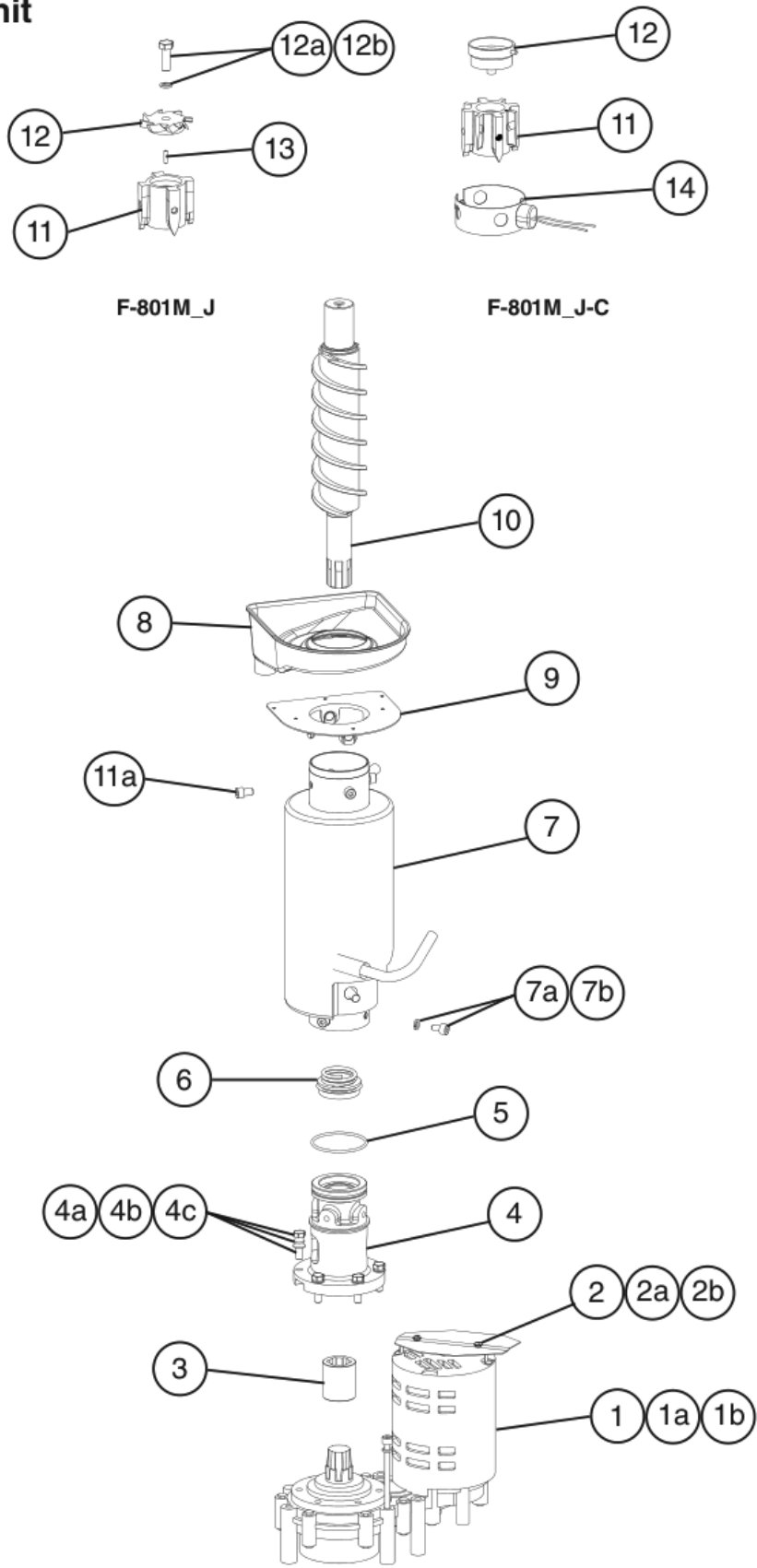
**A. Main Assembly & Refrigeration Circuit**  
**F-801MWJ(-C)**  
 F-0 to J-2



Title: A. Main Assembly & Refrigeration Circuit Model: F-801MWJ(-C)											
Index No.	Description	Material or Model Number	Part Number	Required Number							
				F-0 to G-0	G-1 to H-2	J-0	J-1 J-2				
<b>Main Assembly</b>											
1	Front Panel		2A2124-01	1	1	-					
			2A2071-01			1	1				
2	Louver Assembly (includes items 3 and 4)		2A6649A02			1	1				
3	Louver		1A0547-01	1	1	-					
			1A0548-01			1	1				
3a	Push Retainer		4A2414-01	3	3	-					
4	Air Filter		2A2062G01	1	1	-					
			2A2063G01			1	1				
5	Top Panel		2A2064-02	1	1	1	1				
6	Right Side Panel		2A2073G01	1	1	1	1				
7	Left Side Panel		2A2072G01	1	1	1	1				
8	Control Box Cover		3A0411-01	1	1	1	1				
9	Junction Box Cover		433410-01	1	1	1	1				
10	Spout		104797-01	1	1	1	1				
10a	Thumbscrew		415949G08	5	5	5	5				
11	O-Ring		4A4755-03	1	1	1	1				
12	Nylon Ring		432661-02	1	1	1	1				
13	Spout-to-Chute Packing		321037-01	1	1	1	1				
14	Spout-to-Chute Bracket		4A1712-01	1	1	1	1				
15	Upper Strap		328703-02	1	1	1	1				
15a	Wing Nut		7E12-0600	2	2	2	2				
16	Lower Strap		321038G02	1	1	1	1				
17	Chute		2A1919-03	1	1	1	1				
18	Chute Insulation		2A1920-01	1	1	1	1				
19	Chute Tie		436531G01	3	-						
20	Chute Packing		432877-01	1	1	1	1				
21	Ring		3A1017-01	1	1	1	1				
22	Bin Control Housing (infrared sensor)		3A3478-01	1	1	1	1				
22a	Thumbscrew		415949G12	1	1	1	1				
23	Bin Control 1 (infrared sensor)		4A4469-01	1	1	1	1				
24	Chute Baffle A		3A0400G01				1				
24a	Wing Nut		7E12-0400				3				
25	Chute Baffle B		3A0399G01				1				
25a	Wing Nut		7E12-0400				3				
26	Bin Control 2 Bracket (mechanical bin control)		3A1744G01				1				
27	Actuator		436848G01				1				
28	Shaft		436851-01				1				
29	Snap Pin		715S-0005				2				
30	Plate		4A2039-01				1				
30a	Thumbscrew		415949G10				2				
31	Bin Control 2 Proximity Switch (mechanical bin control)		4A2033-01				1				
31a	Thumbscrew		415949G10				2				
32	Truss Head Screw (ground)		7C32-0408				1				

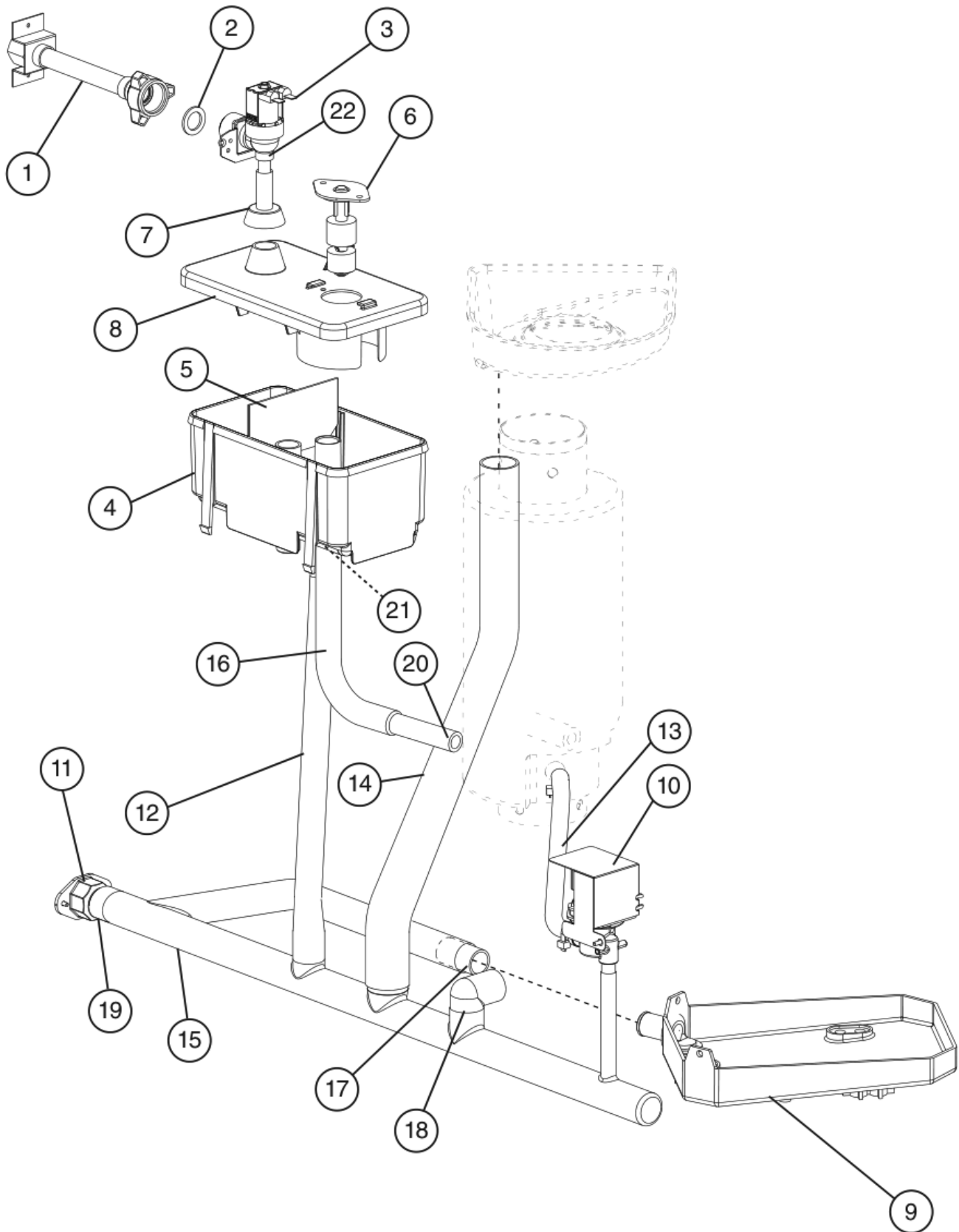
Title: A. Main Assembly & Refrigeration Circuit Model: F-801MWJ(-C)												
Index No.	Description	Material or Model Number	Part Number	Required Number								
				F-0 to G-0	G-1 to H-2	J-0	J-1 to J-2					
<b>Refrigeration Circuit</b>												
33	Compressor		4A4479-01	1	1	1	1					
34	External Protector		4A4481-01	1	1	1	1					
35	Condenser		3A7321-01	1	1	1	1					
36	Thermostatic Expansion Valve		4A1117-01	1	1	1	1					
37	Thermostatic Expansion Valve Cover		4A1168-01	1	1	1	1					
38	Thermostatic Expansion Valve Bulb Holder		3A0112-01	1	1	1	1					
39	Clamp		443461-01	1	1	1	1					
40	Water Regulating Valve		4A0911-07	1	1	1	1					
41	Male Connector		4A1087-01	1	1	1	1					
42	High-Pressure Switch		463180-05	1	1	1	1					
43	Drier		4A1113-01	1	1	1	1					
44	Heat Exchanger		3A5889G01	1	1	1	1					

**B. Icemaking Unit**  
**F-801M\_J(-C)**  
 F-0 to J-2



Title: B. Icemaking Unit Model: F-801M_J(-C)										
Index No.	Description	Material or Model Number	Part Number	Required Number						
				F-0 to J-2						
1	Gear Motor		4A2007-01	1						
1a	Socket Head Cap Screw	8x110, SS	7S12-0811	3						
1b	Split Lock Washer	M8	7L22-0800	3						
2	Gear Motor Barrier		4A4029-01	1						
2a	Truss Head Screw	4x8, SS	7C32-0408	2						
2b	Rubber Washer		4A5268-01	2						
3	Spline Coupling		414137-01	1						
4	Housing		2A1977G01	1						
4a	Hex Head Bolt	8x30, SS	7B02-0830	6						
4b	Plain Washer		7W22-0800	6						
4c	Split Lock Washer		7L22-0800	6						
5	O-Ring		4A4755-02	1						
6	Mechanical Seal		432492-01	1						
7	Evaporator		2A7209G01	1						
7a	Socket Head Cap Screw	8x12, SS	7S12-0812	4						
7b	Split Lock Washer		7L22-0800	4						
8	Drip Pan		2A7187-01	1						
9	Flange		352713-01	1						
10	Auger		120863G02	1						
11	Extruding Head	F-801M_J	3A2175G01	1						
		F-801M_J-C	3A2176G01	1						
11a	Seal Bolt		P01768-02	4						
12	Cutter	F-801M_J	3A1395-02	1						
		F-801M_J-C	427183G01	1						
12a	Hex Head Bolt	F-801M_J 10x30	7B02-1030	1						
12b	Split Lock Washer	F-801M_J	7L22-1000	1						
13	Dowel Pin	F-801M_J 4x16	713S-0416	1						
14	Evaporator Heater	F-801M_J-C	4A2292-01	1						

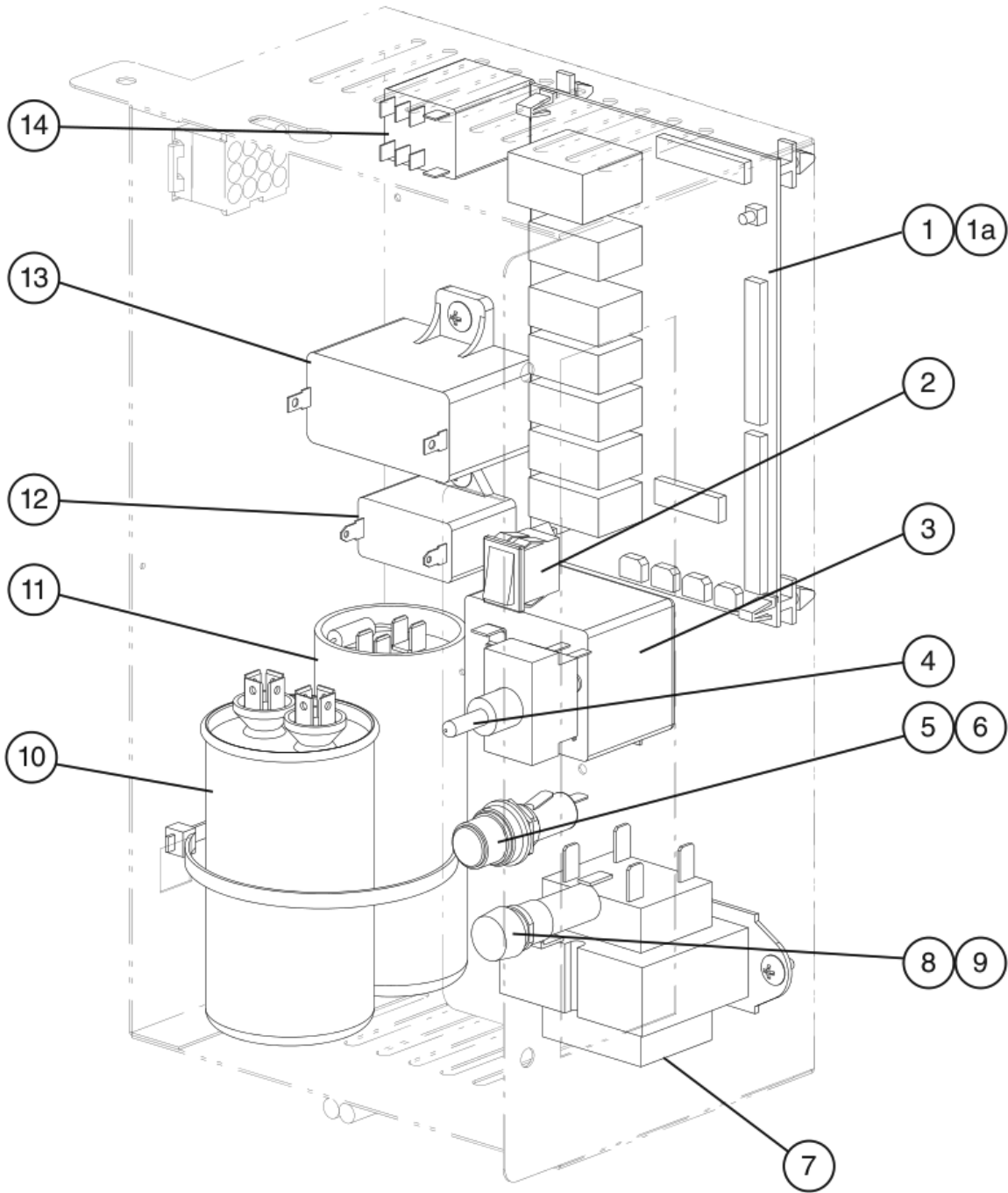
**C. Water Circuit**  
**F-801M\_J(-C)**  
F-0 to J-2



**Title: C. Water Circuit Model: F-801M\_J(-C)**

Index No.	Description	Material or Model Number	Part Number	F-0 to J-2	Required Number								
1	Water Supply Pipe		4A0891G02	1									
2	Washer		413854-03	1									
3	Inlet Water Valve		4A5309-01	1									
4	Reservoir		2A0753-01	1									
5	Reservoir Separator		4A1255-01	1									
6	Float Switch		435490-01	1									
7	Reservoir Inlet		4A0869-01	1									
8	Reservoir Cover		214810-01	1									
9	Drain Pan		323765G02	1									
10	Drain Valve		4A2772-02	1									
11	Drain Fitting		4A5528-01	1									
12	Vinyl Hose	L=375 mm	7725-1923	1									
13	Silicone Hose	L=185 mm	773013896	1									
14	Vinyl Hose	L=460 mm	4A0658L01	1									
15	Drain Hose		3A8170-01	1									
16	Reservoir Hose		4A1165-06	1									
17	Vinyl Hose	L=30 mm	7725-1923	1									
18	Elbow		4A5624-01	1									
<b>Hose Clamps</b>													
19	Hose Clamp	26-30 mm	4A2017-02	1									
20	Hose Clamp	17-20 mm	4A2017-05	1									
21	Hose Clamp	19-22 mm	4A2017-06	1									
22	Hose Clamp	14-15 mm	4A2017-08	1									

**D. Control Box Assembly**  
**F-801M\_J(-C)**  
F-0 to J-2

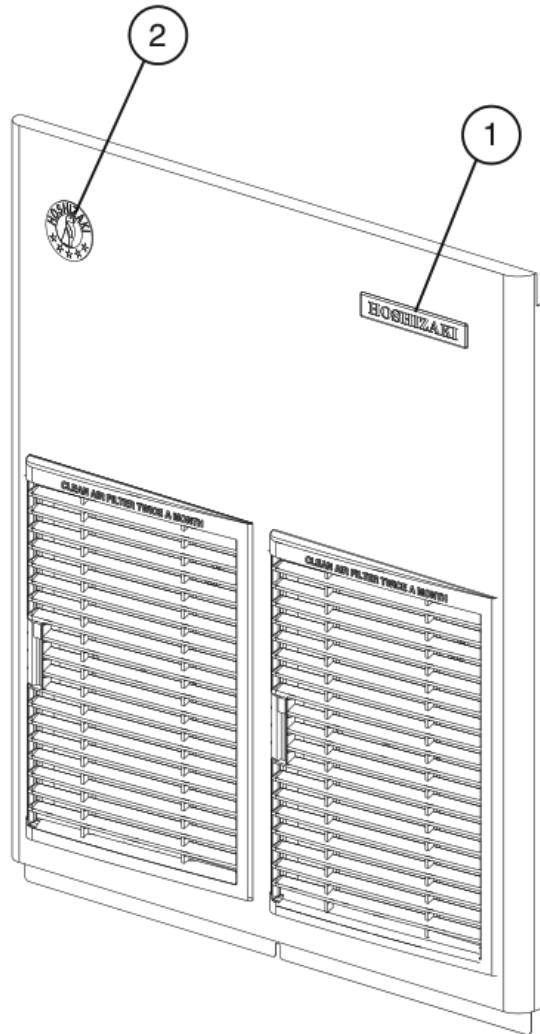


Title: D. Control Box Assembly Model: F-801M_J(-C)											
Index No.	Description	Material or Model Number	Part Number	F-0 to J-2	Required Number						
1	Control Board		<a href="#">2A9093-01</a>	1							
1a	Control Board Support		<a href="#">4A0336-03</a>	4							
2	Control Switch		<a href="#">4A0558-01</a>	1							
3	Start Relay		<a href="#">4A1107-11</a>	1							
4	Power Switch		<a href="#">4A2332-01</a>	1							
5	Fuse Holder (control)		<a href="#">4A5443-01</a>	1							
6	Fuse (control)	AGC-1A, 250VAC	<a href="#">4A0893-01</a>	1							
7	Control Transformer		<a href="#">4A0557-01</a>	1							
8	Fuse Holder (gear motor)		<a href="#">4A6101-01</a>	1							
9	Fuse (gear motor)	GMD-3A, 250VAC	<a href="#">4A0893-06</a>	1							
10	Run Capacitor	35MFD, 440VAC	<a href="#">3A2005-12</a>	1							
11	Start Capacitor	243-292MFD, 165VAC	<a href="#">3A0076-20</a>	1							
12	Fan Motor Capacitor	<b>F-801MAJ(-C)</b> 5MFD, 250VAC	<a href="#">4A6435-02</a>	1							
13	Gear Motor Capacitor	24MFD, 250VAC	<a href="#">4A2273-01</a>	1							
14	Compressor Control Relay	120VAC	<a href="#">4A6558-01</a>	1							

## E. Accessories & Labels

### F-801M\_J(-C)

F-0 to J-2



Title: E. Accessories & Labels    Model: F-801M_J(-C)												
Index No.	Description	Material or Model Number	Part Number	Required Number								
				F-0 to J-2								
1	Hoshizaki Emblem Label		4A0560-01	1								
2	Penguin Label		475552L02	1								
3	Universal Brace		4A0363-01	2								
3a	Hex Bolt		7B02-0512	2								