



HOSHIZAKI

Parts List

Glass Door Freezer

Model

FM-23-HC

FM-23-HC-WHT

FM-23-HC-BLK

hoshizakiamerica.com

Number: FM-23-HC
Issued: 01-23-2019
Revised: 09-09-2025

TABLE OF CONTENTS

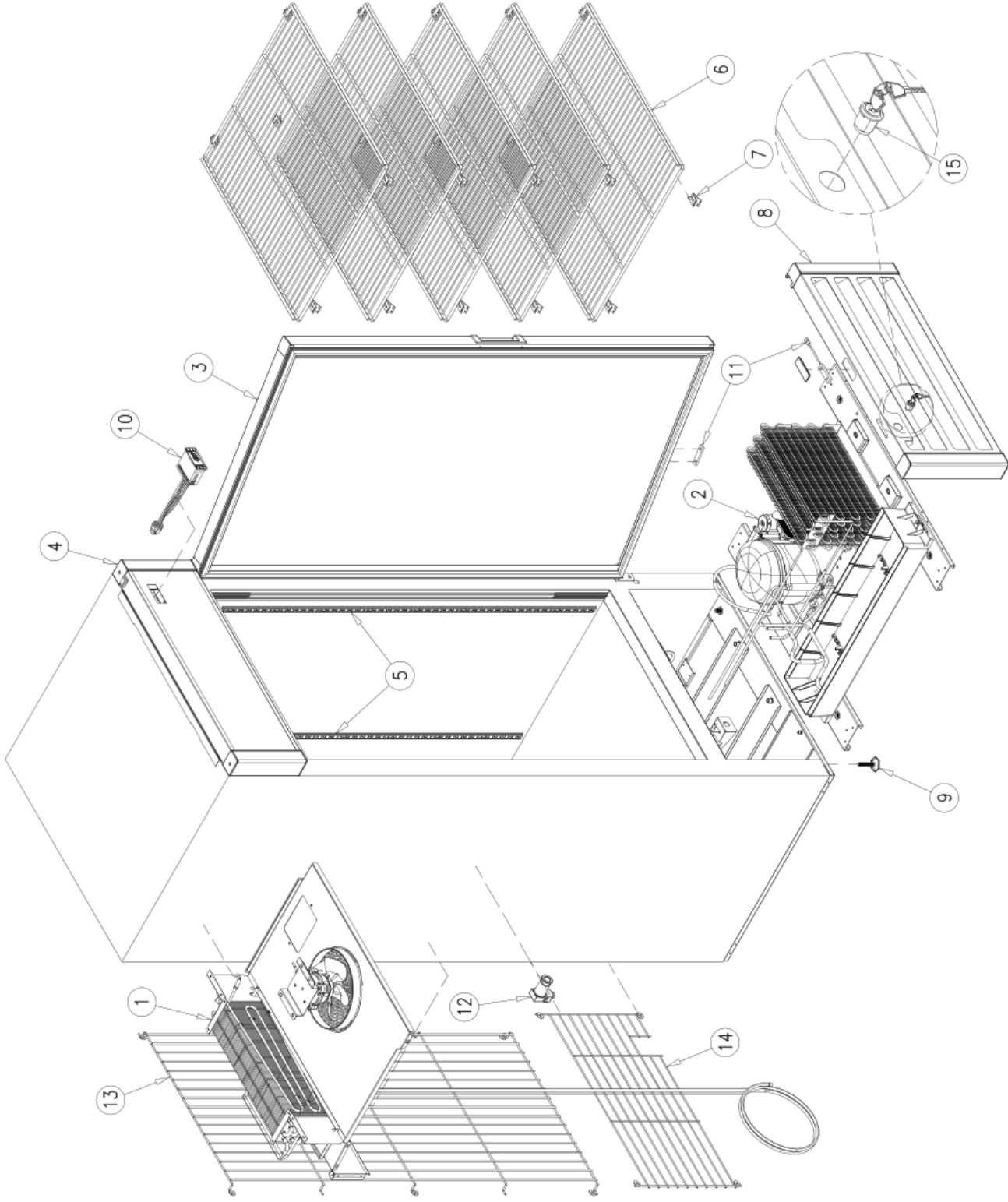
MAIN ASSEMBLY	3
EVAPORATOR ASSEMBLY	5
CONDENSING UNIT ASSEMBLY	7
DOOR ASSEMBLY	9
LIGHTING SYSTEM	11

NOTE:

To order spare parts, always include the following information:

- Model Number _____
- Serial Number _____

MAIN ASSEMBLY



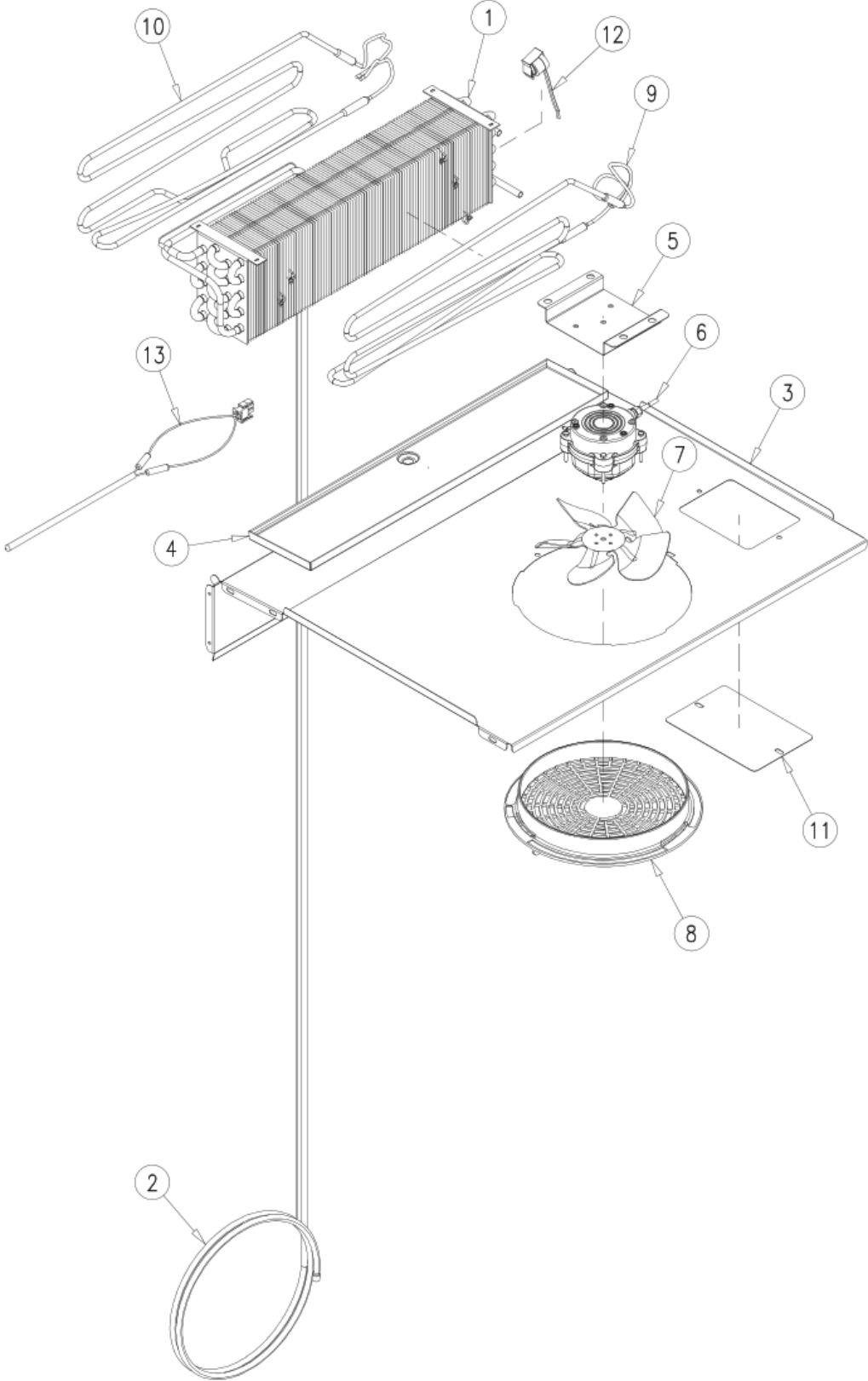
MAIN ASSEMBLY

<i>Item No.</i>	<i>Description</i>	<i>Part No.</i>	<i>Quantity per cooler</i>
1	EVAPORATOR ASSEMBLY	OT-EV-0255	1
2	CONDENSING UNIT ASSEMBLY	OT-UN-0384*	1
3	DOOR ASSEMBLY	PT-0638-GREY-H PT-0638-WH63501-H* PT-0638-B-H	1
4	HEADER SIGN	RT-0297-GREY RT-0297-WH63501* RT-0297-B	1
5	PILASTER (48")	PI-74-48	4
6	FLAT SHELF	SH-0182-LEDR-HD	5
7	SHELF CLIPS	CL-51-SS-E	20
8	FRONT GRILL	CM-0514-GREY CM-0514-WH63501* CM-0514-B	1
9	LEGS	LG-27	4
10	CONTROL MODULE	CT-69-DI-153	1
11	DOOR SWITCH	EL-306	1
12	PRESSURE RELIEF VALVE	VA-110	1
13	INTERIOR GRILL	SH-0576-G	1
14	BACK GRILL	SH-0620-G-GR* SH-0620-G-B	1
15	LOCK AND KEY SET	HA-471-G-K	1

*Parts Change With Serial Number Break

ITEM No.	Description	Inter-changeable	Previous Component	Hoshizaki Last Serial Number and Earlier	Current Component	Hoshizaki First Serial Number and Later
2	CONDENSING UNIT ASSEMBLY	NO	UN-0442	M-00001(L)	UN-0384	N-00057(K)
3	DOOR ASSEMBLY	NO	OT-PT-0638	P-00003(B)	PT-0638-WH63501-H	Q-00334(C)
4	HEADER SIGN	NO	OT-RT-0297	P-00003(B)	RT-0297-WH63501	Q-00334(C)
8	FRONT GRILL	NO	OT-CM-0514	P-00003(B)	CM-0514-WH63501	Q-00334(C)
14	BACK GRILL	NO	SH-0262-G-GR	M-00001(L)	SH-0620-G-GR	N-00057(K)

EVAPORATOR ASSEMBLY



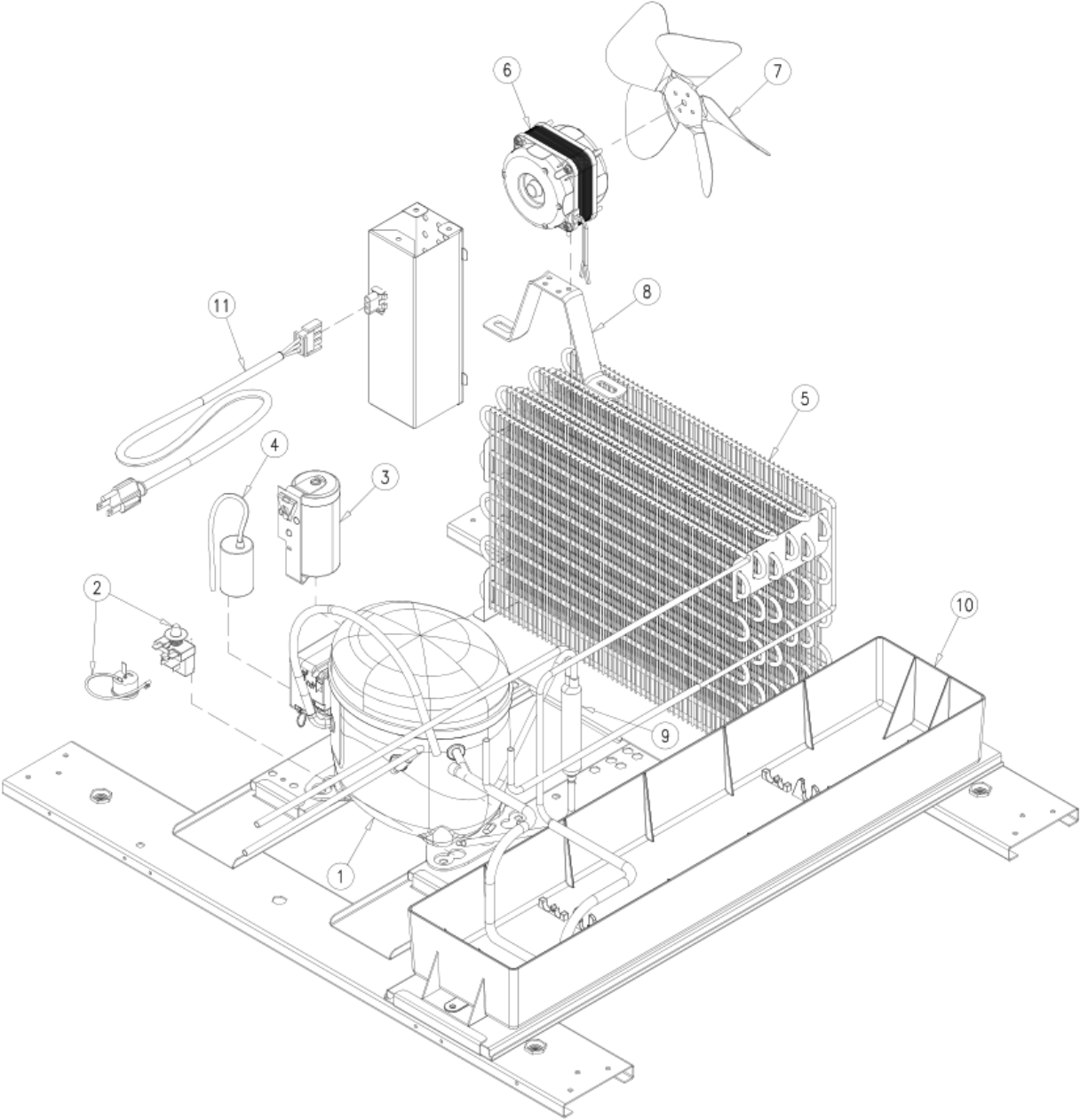
EVAPORATOR ASSEMBLY

<i>Item No.</i>	<i>Description</i>	<i>Part No.</i>	<i>Quantity per cooler</i>
1	EVAPORATOR	CO-390	1
2	HEAT EXCHANGER	TUB-1299	1
3	SHROUD	OT-27658*	1
4	EVAPORATOR PAN	OT-23298	1
5	EVAPORATOR FAN MOTOR BRACKET	OT-28122*	1
6	EVAPORATOR FAN MOTOR	FA-122-SW-1800-0396	1
7	EVAPORATOR FAN BLADE	FA-2-SW	1
8	FAN GUARD	FA-123-B*	1
9	DEFROST HEATER A	EL-238-D-R-390-A	1
10	DEFROST HEATER B	EL-238-D-R-390-B	1
11	SHROUD COVER	OT-9059	1
12	DEFROST SAFETY THERMOSTAT	OT-CT-11-R-EM-3171	1
13	DRAIN HEATER	EL-851-V1	1

*Parts Change With Serial Number Break

ITEM No.	Description	Inter-changeable	Previous Component	Hoshizaki Last Serial Number and Earlier	Current Component	Hoshizaki First Serial Number and Later
3	SHROUD	NO	26790	P-00003(B)	27658	Q-00508(B)
	SHROUD	NO	24690	M-00001(L)	26790	N-00057(K)
5	EVAPORATOR FAN MOTOR BRACKET	NO	21719	P-00003(B)	28122	Q-00508(B)
8	FAN GUARD	NO	FA-62	M-00001(L)	FA-123-B	N-00057(K)

CONDENSING UNIT ASSEMBLY



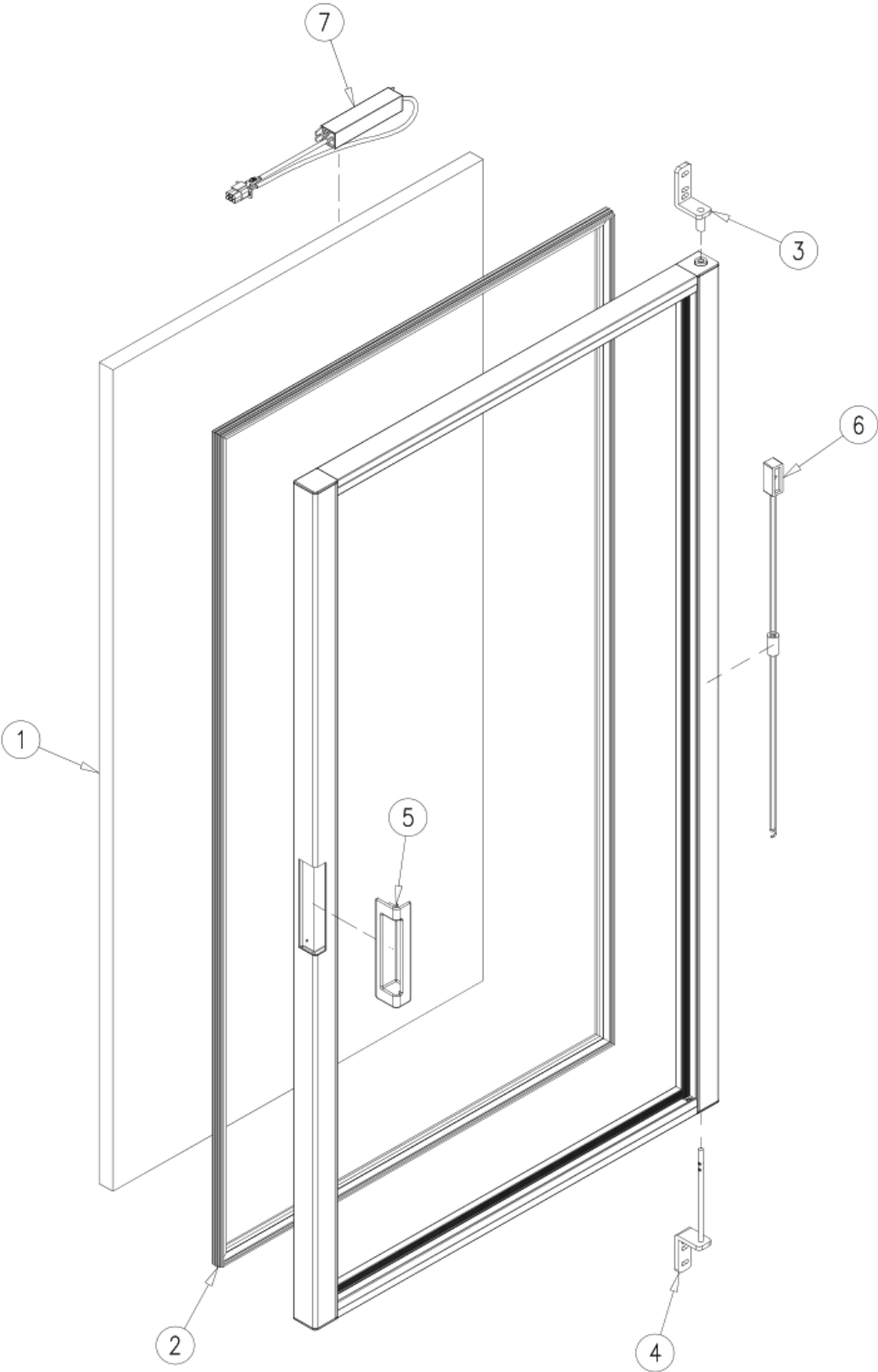
CONDENSING UNIT ASSEMBLY

<i>Item No.</i>	<i>Description</i>	<i>Part No.</i>	<i>Quantity per cooler</i>
1	COMPRESSOR (1/2 HP 115-127V/60HZ R-290)	NPT16LR	1
2	EXTERNAL PROTECTOR (TO534) & RELAY (2014 191)	EL-2193-R	1
3	START CAPACITOR (200 μ F 160V)	CAP-200-160	1
4	RUN CAPACITOR (30 μ F 250V)	CAP-30-250	1
5	CONDENSER	CO-454-L*	1
6	CONDENSER FAN MOTOR	FA-122-SW-1800-0396	1
7	CONDENSER FAN BLADE	FA-2-SW	1
8	CONDENSER FAN MOTOR BRACKET	FA-18	1
9	DRIER	DR-29-P	1
10	OVERFLOW DRAIN PAN	OT-IN-0032*	1
11	POWER CORD (9 ft)	EL-1260-9	1

*Parts Change With Serial Number Break

ITEM No.	Description	Interchange-able	Previous Component	Hoshizaki Last Serial Number and Earlier	Current Component	Hoshizaki First Serial Number and Later
5	CONDENSER	YES	CO-454	N-00084(K)	CO-454-L	P-00004(B)
10	OVERFLOW DRAIN PAN	NO	OT-TF-1191	M-00001(L)	OT-IN-0032	N-00057(K)

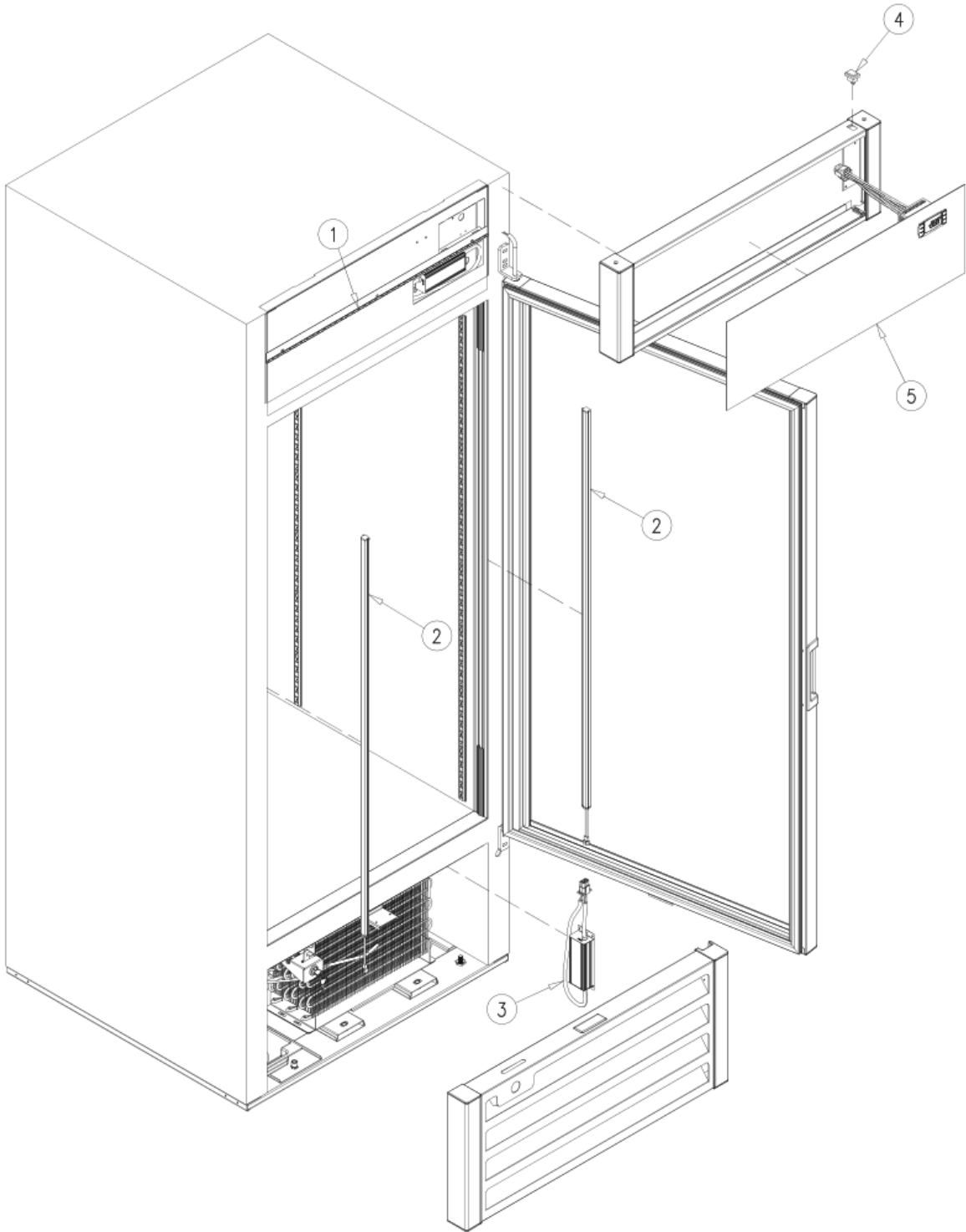
DOOR ASSEMBLY



DOOR ASSEMBLY

<i>Item No.</i>	<i>Description</i>	<i>Part No.</i>	<i>Quantity per cooler</i>
1	GLASS PANE	GL-677-AT-H-HF-D-US	1
2	MAGNETIC GASKET	OT-GA-900-PT-0638	1
3	UPPER HINGE ASSEMBLY	HA-536-R-K	1
4	LOWER HINGE ASSEMBLY	HA-522-R-K	1
5	DOOR HANDLE	HA-632-K	1
6	TORSION MECHANISM	HA-479	1
7	HEATED GLASS PANE POWER SUPPLY	EL-869-T-6543	1

LIGHTING SYSTEM



LIGHTING SYSTEM

<i>Item No.</i>	<i>Description</i>	<i>Part No.</i>	<i>Quantity per cooler</i>
1	HIGH INTENSITY FLEXIBLE LED STRIP (19 3/4")	EL-171-60	1
2	LED LAMP STRIP (39 3/8")	EL-148	2
3	LED DRIVER (1.25 Amp.)	OT-EL-151-T-6648	1
4	LIGHT SWITCH	EL-305	1
5	ACRYLIC SIGN	ROT-0153	1