

NO. 71233

ISSUED: May 23, 2005

REVISED: July 11, 2005



**HOSHIZAKI  
MODULAR FLAKER**



**MODEL  
FS-1001MLH/-C**

**PARTS LIST**

## CONTENTS

Auxiliary Codes.....	3
Note About Ordering Parts .....	3
Material Abbreviations .....	4
A. Ice Flaker Assembly .....	5
FS-1001MLH/-C .....	5
B. Ice Making Unit.....	8
FS-1001MLH.....	8
FS-1001MLH-C .....	10
C. Refrigeration Unit .....	12
FS-1001MLH/-C .....	12
D. Water Circuit.....	14
FS-1001MLH/-C .....	14
E. Control Box Assembly .....	16
FS-1001MLH/-C .....	16
F. Chute Assembly.....	18
FS-1001MLH/-C .....	18
G. Label Location.....	20
FS-1001MLH/-C .....	20
H. Accessories.....	21
FS-1001MLH/-C .....	21

## **Auxiliary Codes**

**FS-1001MLH**      Q-0    xxxx 2005

**FS-1001MLH-C**    P-0    July 2004  
                          Q-0    July 2005

## **Note About Ordering Parts**

Most assemblies cannot be ordered as complete units; parts in the assemblies generally must be ordered separately.

## Material Abbreviations

### ALUMINUM

AL = Aluminum

### COPPER

CU = Copper

### PLASTIC

ABS = Acrylonitrile -butadiene - styrene  
AC = Polyacetal  
EVA = Ethylene vinyl acetate  
PA = Polyamide = Nylon  
PC = Polycarbonate  
PE = Polyethylene  
PES = Polyester  
PETP = Polyethylene terephthalate = Tetlon  
PP = Polypropylene  
PS = Polystyrene  
PTFE = Polytetrafluoroethylene = Teflon  
PUR = Polyurethane  
PVC = Polyvinyl chloride

### RUBBER

VN = Vinyl Nitrile  
EPDM = EP rubber  
NBR = Nitrile butadiene rubber  
NR = Natural rubber  
NP = Neoprene  
SI.R = Silicone rubber  
SY.R = Synthetic rubber  
EPH = Epichlorohydrin

### STEEL

GS = Galvanized steel  
SS = Stainless steel  
PS = Plated steel  
PAS = Primed steel

### AUXILIARY CODE

K-0

— Designates the year. "K" indicates the year 2000. Years progress or regress in alphabetical order. "J" is 1999, "L" is 2001, "M" is 2002, and so on. The letters "I" and "O" were skipped.  
— Designates significant part changes within the same year for this model. Base is 0 and this number advances for each change.

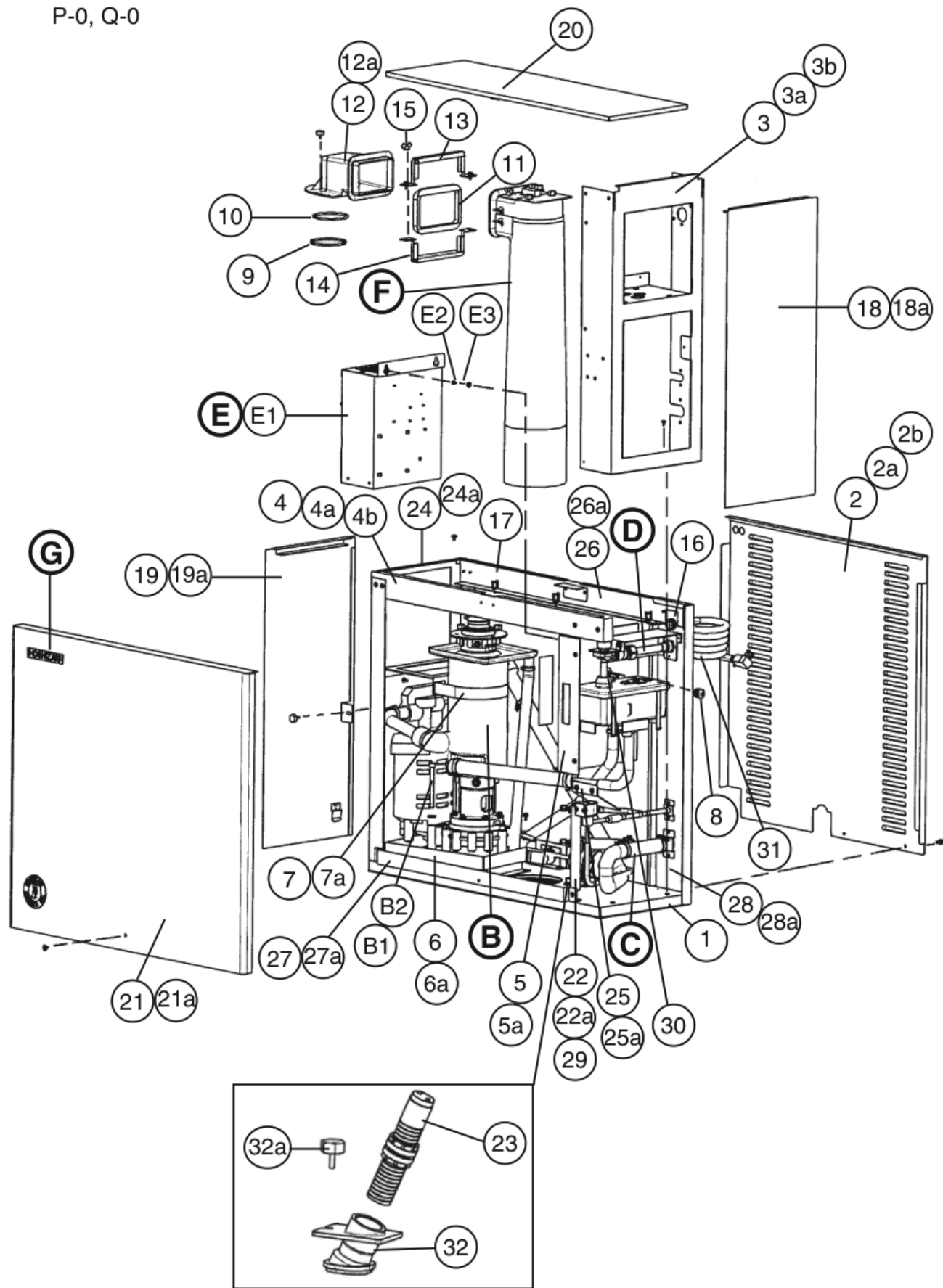
Example: P-1

— "P" indicates 2004.  
— "1" indicates the first significant part change for 2004.

# A. Ice Flaker Assembly

FS-1001MLH/-C

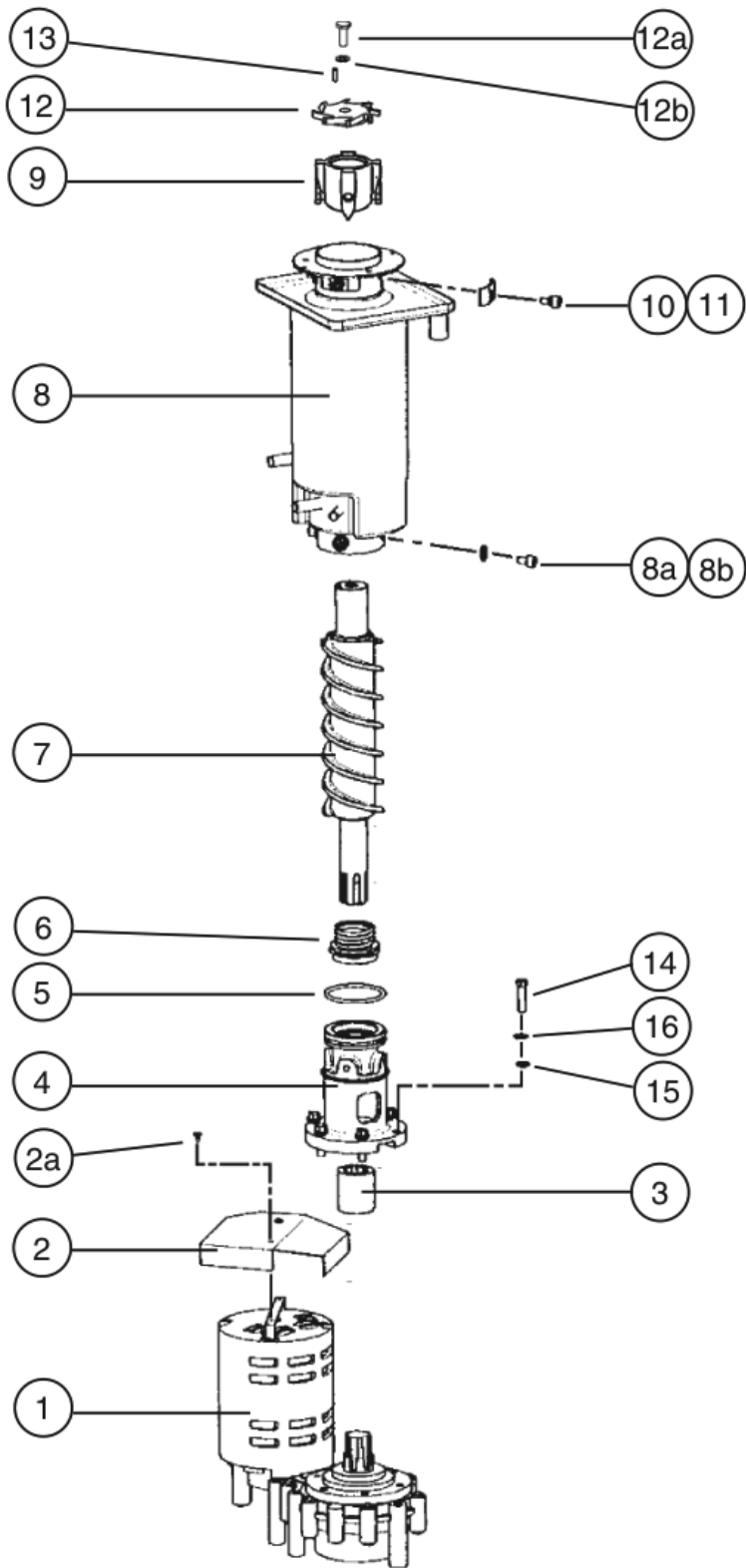
P-0, Q-0



Title: <b>A. Ice Flaker Assembly</b> Model: <b>FS-1001MLH-C</b>											
Index No.	Description	Material or Model Number	Part Number	Required Number							
				P-0	Q-0						
B	Ice Making Unit	FS-1001MLH	<a href="#">3A3157A02</a>	1							
		FS-1001MLH-C	<a href="#">3A3157A01</a>	1							
B1	Socket Hex Head Bolt	8x90 SS	<a href="#">7S12-0890</a>	3							
B2	Split Lock Washer	M8 SS	<a href="#">7L22-0800</a>	3							
C	Refrigeration Unit		<a href="#">1A0947A01</a>	1							
D	Water Circuit		<a href="#">2A3137A01</a>	1							
E	Control Box Assembly		<a href="#">3A3501A01</a>	1							
E1	Truss Head Screw	4x12 Zinc	<a href="#">7C31-0412</a>	1							
E2	Flat Head Screw	4x8 SS	<a href="#">7C22-0408</a>	2							
E3	Taper Collar	SS	<a href="#">4H0171-01</a>	2							
F	Chute Assembly		<a href="#">2A1705A04</a>	1							
G	Label Location	FS-1001MLH	<a href="#">2A3180A02</a>	1							
		FS-1001MLH-C	<a href="#">2A3180A01</a>	1							
1	Chassis		<a href="#">2A3474G01</a>	1							
2	Rear Panel		<a href="#">2A3146-01</a>	1							
2a	Truss Head Screw	4x8 SS	<a href="#">7C32-0408</a>	3							
2b	Hex Head Bolt w/ Washer	5x12 SS (Lf)	<a href="#">7B0230512</a>	4							
3	Side Frame (R)	GS	<a href="#">2A3395-01</a>	1							
3a	FT Screw	4x8 SS	<a href="#">7F32-0408</a>	4							
3b	Truss Head Screw	4x8 SS	<a href="#">7C32-0408</a>	2							
4	Front Frame Assembly		<a href="#">3A3210G01</a>	1							
4a	FT Screw	4x8 SS	<a href="#">7F32-0408</a>	4							
4b	Truss Head Screw	4x8 SS	<a href="#">7C32-0408</a>	1							
5	Bracket - Control Box		<a href="#">3A3383-01</a>	1							
5a	T2 Screw	4x8 SS	<a href="#">7P32-0408</a>	6							
6	Drain Pan Assembly		<a href="#">3A3231G01</a>	1							
6a	Hex Head Bolt	5x10 SS (Lf)	<a href="#">7B0230510</a>	2							
7	Evaporator Strap	GS	<a href="#">4A3431-01</a>	1							
7a	T3 Screw	5x12 Zinc	<a href="#">7G31-0512</a>	2							
8	Bushing	SR-30-1	<a href="#">420472-03</a>	1							
9	Ring	PA	<a href="#">432661-02</a>	1							
10	"O" Ring	G70	<a href="#">7616-G070</a>	1							
11	Packing - Spout	EPDM	<a href="#">321037-01</a>	1							
12	Spout	PC	<a href="#">104797-01</a>	1							
12a	Thumbscrew	SS, ABS	<a href="#">415949G08</a>	3							
13	Strap	SS	<a href="#">321038G02</a>	1							
14	Strap	SS	<a href="#">328703-02</a>	1							
15	Wing Nut	6 SS	<a href="#">7E12-0600</a>	2							
16	Bushing	SR-34-2	<a href="#">420472-05</a>	1							
17	Wire Saddle	VWS4238-C	<a href="#">4A0338-02</a>	5							
18	Side Panel Assembly (R)		<a href="#">3A3328G01</a>	1							
18a	Thumbscrew	SS, ABS	<a href="#">415949G10</a>	1							
19	Side Panel Assembly (L)		<a href="#">3A3329G01</a>	1							
19a	Thumbscrew	SS, ABS	<a href="#">415949G10</a>	1							

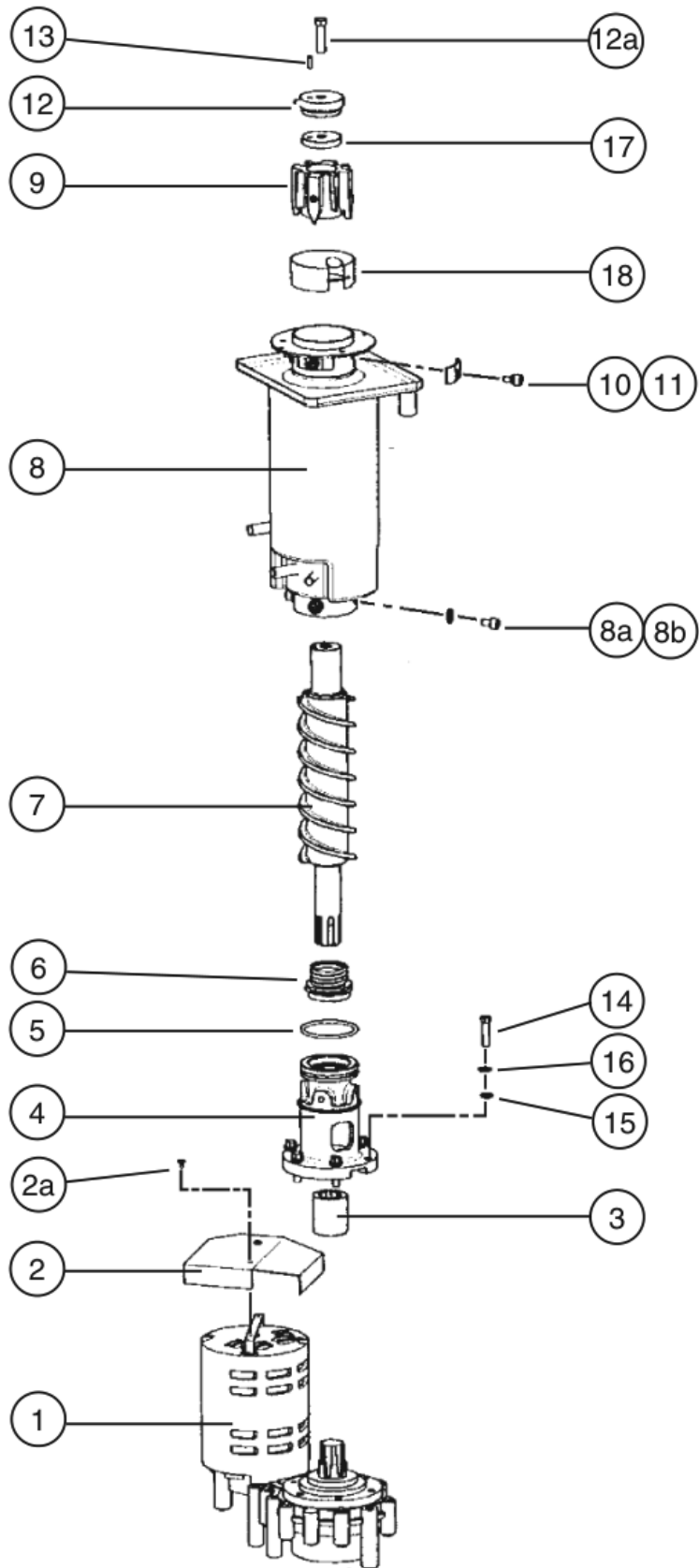
Title: <b>A. Ice Flaker Assembly</b> Model: <b>FS-1001MLH/-C</b>											
Index No.	Description	Material or Model Number	Part Number	Required Number							
				P-0	Q-0						
20	Top Panel		2A3140-01	1							
21	Front Panel	SS	2A3145-01	1							
21a	Truss Head Screw	4x8 SS	7C32-0408	1							
22	Service Valve Bracket	GS	4A3432-01	1							
22a	T2 Screw	4x8 SS	7P32-0408	2							
23	Beam Sensor		4A3773-01	1							
24	Side Frame (L)	GS	2A3139-01	1							
24a	FT Screw	4x8 SS	7F32-0408	4							
25	Solenoid Bracket		4A3665-01	1							
25a	T2 Screw	4x8 SS	7P32-0408	2							
26	Rear Frame Assembly		3A3211G01	1							
26a	FT Screw	4x8 SS	7F32-0408	4							
27	Front Bracket	GS	3A3240-01	1							
27a	T2 Screw	4x8 SS	7P32-0408	3							
28	Rear Panel Cover		2A3396-01	1							
28a	T2 Screw	4x8 SS	7P32-0408	7							
29	Hex Head Tapping Screw	1/4-20x1/2	7B0311412	2							
30	Tubing-Insulation 3/8"	3/8" L=30	8104-0003	1							
31	Power Supply Cord		4A1773-01	1							
32	Sensor Housing		3A3478-01	1							
32a	Thumbscrew		415949G10	1							

**B. Ice Making Unit**  
**FS-1001MLH**  
Q-0



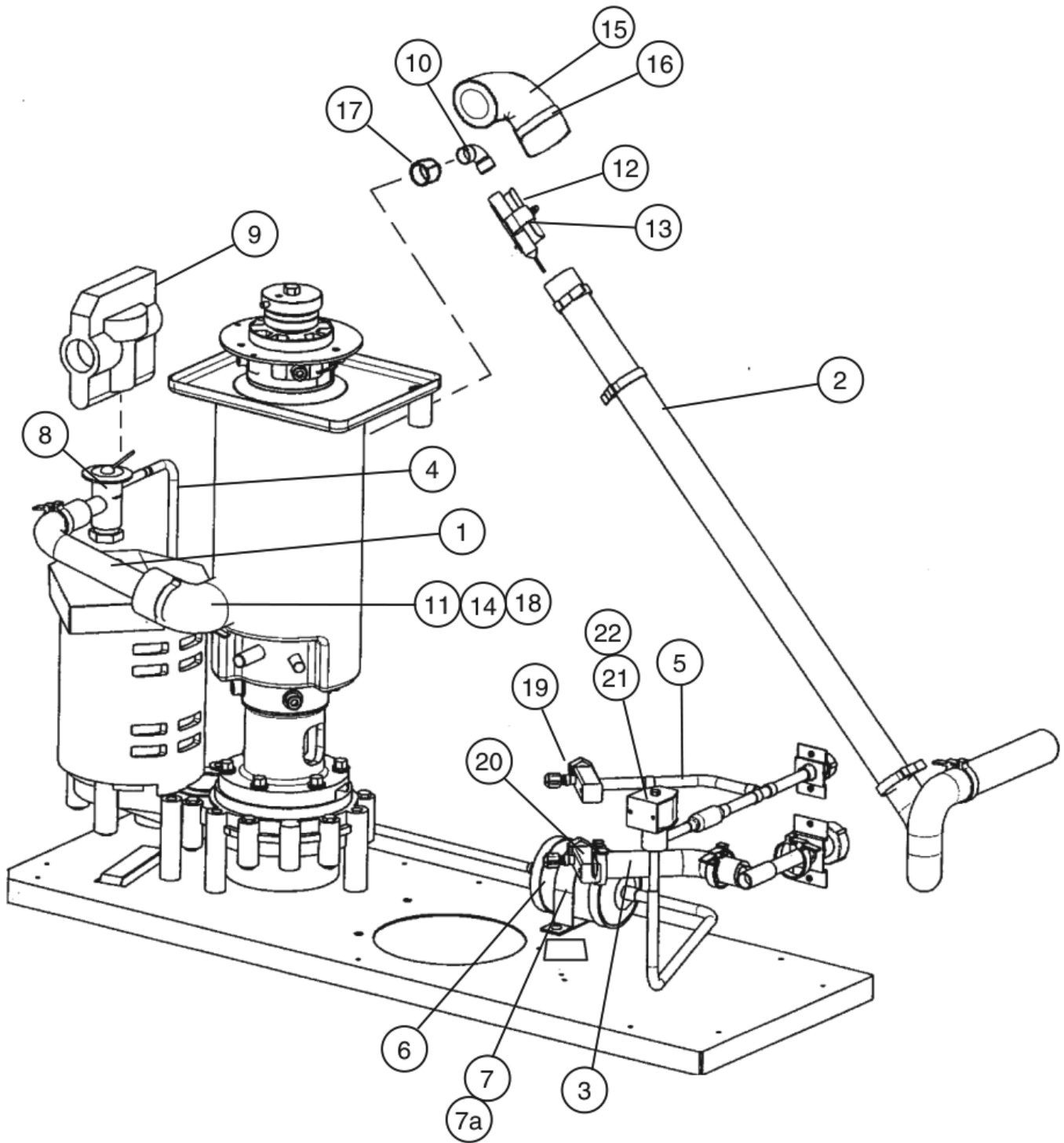
Title: <b>B. Ice Making Unit</b> Model: <b>FS-1001MLH</b>											
Index No.	Description	Material or Model Number	Part Number	Required Number							
				Q-0							
1	Gear Motor	MGZ2200UL - 150A	4A2007-01	1							
2	Barrier-Gear Motor	GS	4A3441-01	1							
2a	Truss Head Screw	4x8 SS	7C32-0408	2							
3	Coupling - Spline	SS	414137-01	1							
4	Housing	Brass	2A1977G01	1							
5	"O" Ring	G65	7616-G065	1							
6	Mechanical Seal	HK9A-MN Ø30	432492-01	1							
7	Auger - Final		2A2151G02	1							
8	Evaporator		2A1733G01	1							
8a	Socket Head Cap Screw	8x12 SS	7S12-0812	4							
8b	Split Lock Washer	M8 SS	7L22-0800	4							
9	Extruding Head 70-F	SS	3A2175G01	1							
10	Socket Head Cap Screw	8x14 SS	429121-01	4							
11	Washer	SS	427184-01	4							
12	Cutter		3A1395-02	1							
12a	Hex Head Bolt	10x30 SS	7B02-1030	1							
12b	Split Lock Washer	10 SS	7L22-1000	1							
13	Dowel Pin	4x16 SS	713S-0416	1							
14	Hex Head Bolt	8x30 SS	7B02-0830	6							
15	Flat Washer	M8 SS	7W22-0800	6							
16	Split Lock Washer	M8 SS	7L22-0800	6							

**B. Ice Making Unit**  
**FS-1001MLH-C**  
P-0, Q-0



Title: <b>B. Ice Making Unit</b> Model: <b>FS-1001MLH-C</b>											
Index No.	Description	Material or Model Number	Part Number	Required Number							
				P-0	Q-0						
1	Gear Motor	MGZ2200UL - 150A	<a href="#">4A2007-01</a>	1							
2	Barrier-Gear Motor	GS	<a href="#">4A3441-01</a>	1							
2a	Truss Head Screw	4x8 SS	<a href="#">7C32-0408</a>	2							
3	Coupling - Spline	SS	<a href="#">414137-01</a>	1							
4	Housing	Brass	<a href="#">2A1977G01</a>	1							
5	"O" Ring	G65	<a href="#">7616-G065</a>	1							
6	Mechanical Seal	HK9A-MN Ø30	<a href="#">432492-01</a>	1							
7	Auger - Final		<a href="#">2A2151G03</a>	1							
8	Evaporator		<a href="#">2A1733G01</a>	1							
8a	Socket Head Cap Screw	8x12 SS	<a href="#">7S12-0812</a>	4							
8b	Split Lock Washer	M8 SS	<a href="#">7L22-0800</a>	4							
9	Extruding Head 70-C	SS	<a href="#">216530G04</a>	1							
10	Socket Head Cap Screw	8x14 SS	<a href="#">429121-01</a>	4							
11	Washer	SS	<a href="#">427184-01</a>	4							
12	Cutter		<a href="#">4A3443G02</a>	1							
12a	Hex Head Bolt	10x40 SS	<a href="#">7B02-1040</a>	1							
13	Dowel Pin	4x16 SS	<a href="#">713S-0416</a>	1							
14	Hex Head Bolt	8x30 SS	<a href="#">7B02-0830</a>	6							
15	Flat Washer	M8 SS	<a href="#">7W22-0800</a>	6							
16	Split Lock Washer	M8 SS	<a href="#">7L22-0800</a>	6							
17	Washer	SS	<a href="#">4A3418-01</a>	1							
18	Heater with Spring	014101U2. MEC	<a href="#">4A2292-01</a>	1							

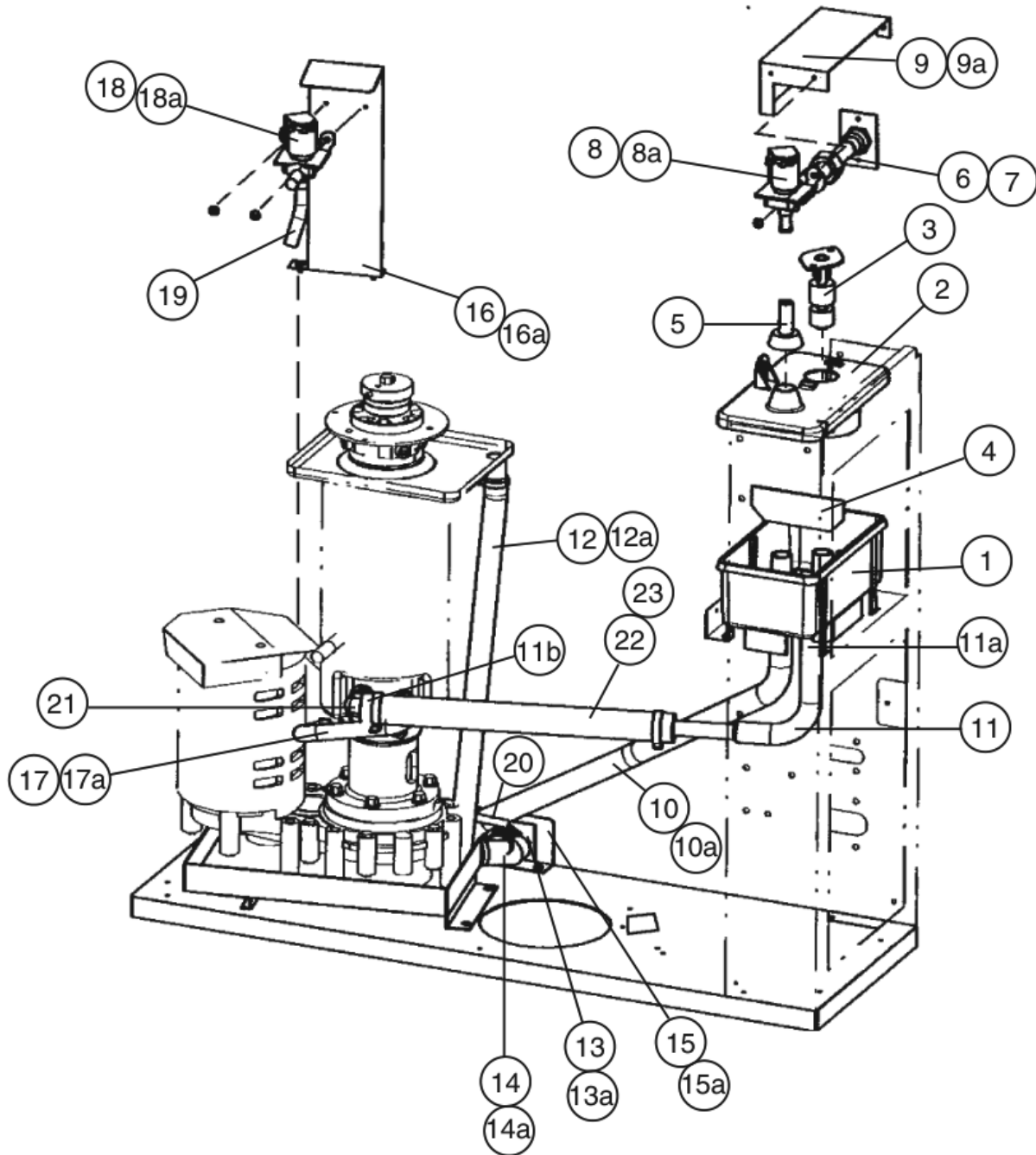
**C. Refrigeration Unit**  
**FS-1001MLH/-C**  
P-0, Q-0



Title: **C. Refrigeration Unit** Model: **FS-1001MLH/-C**

Index No.	Description	Material or Model Number	Part Number	Required Number																
				P-0	Q-0															
1	Copper Tube (A) - Low Side		4A3413G01	1																
2	Copper Tube (B) - Low Side		4A3414G01	1																
3	Copper Tube (C) - Low Side		3A3160G01	1																
4	Copper Tube (A) - High Side		3A3158-01	1																
5	Copper Tube (B) - High Side		3A3159G01	1																
6	Drier	A-TCH-053S	4A1338-01	1																
7	Drier Bracket	GS	4A1348-01	1																
7a	FT Screw	4x8 SS	7F32-0408	1																
8	Expansion Valve	AN-1-SW60	4A3493-01	1																
9	Expansion Valve Cover		4A1168-01	1																
10	Elbow		417395-03	1																
11	Elbow		417395-03	1																
12	Holder / Expansion Valve 1/2"		3A0112-01	1																
13	Clamp	Ideal No. 6808	443461-01	1																
14	Insulation Tubing	L=150mm	7762-2943	1																
15	Insulation Tubing	L=150mm	7762-2943	1																
16	Cable Tie	CV-200	8911-0200	6																
17	Cork Insulation	NRP1 L=40mm	8216-BK20	1																
18	Cork Insulation	NRP1 L=40mm	8216-BK20	1																
19	Service Valve		4A3420-01	1																
20	Service Valve		4A3420-01	1																
21	Valve Body		440352-01	1																
22	Coil - Valve		440353-01	1																

**D. Water Circuit**  
**FS-1001MLH/-C**  
P-0, Q-0

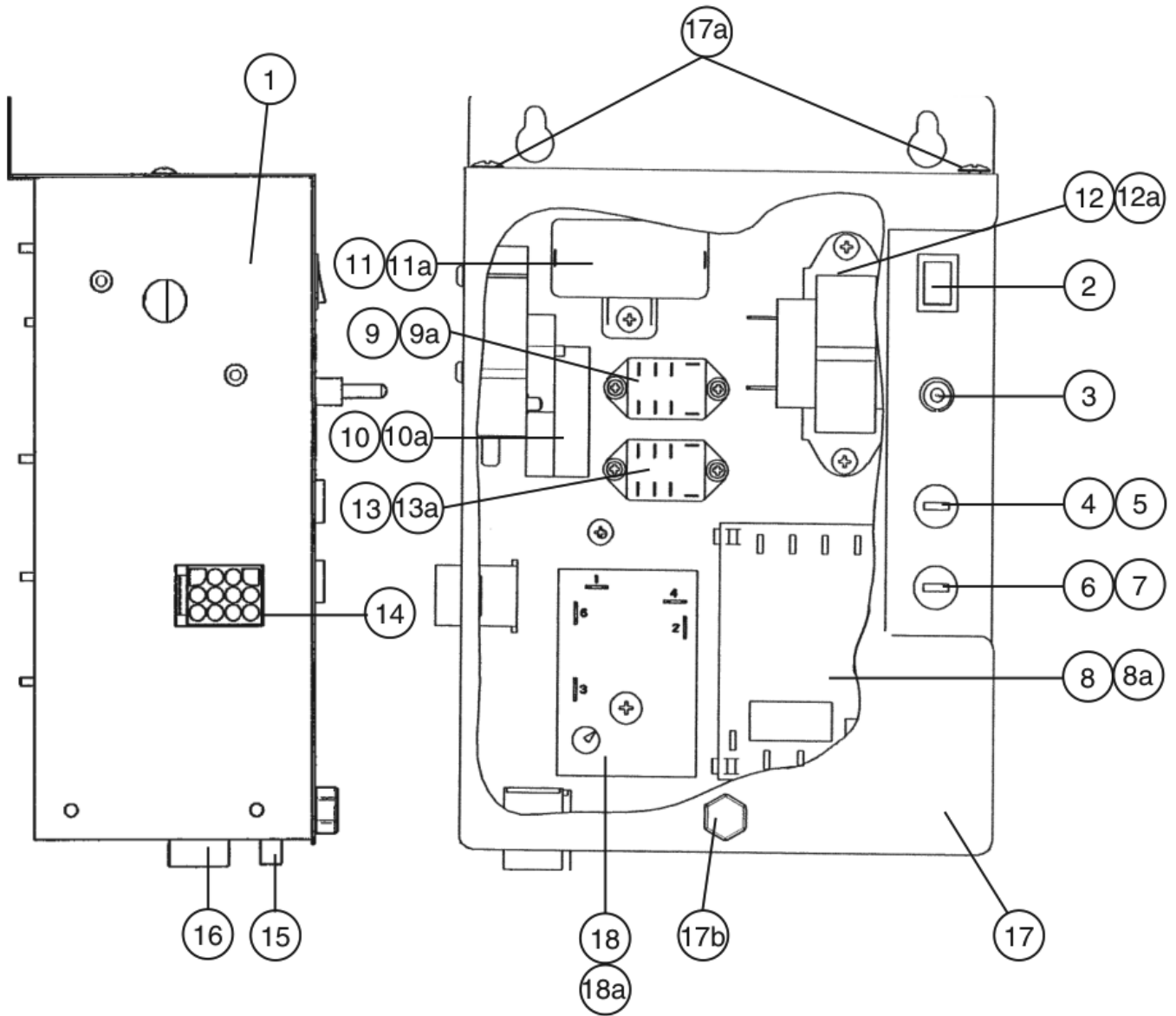


Title: <b>D. Water Circuit</b> Model: <b>FS-1001MLH-C</b>											
Index No.	Description	Material or Model Number	Part Number	Required Number							
				P-0	Q-0						
1	Reservoir		<a href="#">2A0753-01</a>	1							
2	Reservoir Cover		<a href="#">214810-01</a>	1							
3	Float Switch	TW-1221-101	<a href="#">435490-01</a>	1							
4	Separator - Reservoir	ABS	<a href="#">4A1255-01</a>	1							
5	Inlet - Reservoir		<a href="#">4A0869-01</a>	1							
6	Water Supply Pipe		<a href="#">3A3161G01</a>	1							
7	Washer	K-59963	<a href="#">4A0867-01</a>	1							
8	Water Valve	S-30	<a href="#">4A0865-01</a>	1							
8a	T2 Screw	4x8 SS	<a href="#">7P32-0408</a>	2							
9	Water Valve Bracket - (I)	GS	<a href="#">4A3728-01</a>	1							
9a	T2 Screw	4x8 SS	<a href="#">7P32-0408</a>	3							
10	Silicone Hose	L=575mm	<a href="#">7730-1822</a>	1							
10a	Hose Clamp	2334 HC875	<a href="#">4A2017-09</a>	1							
11	Reservoir Hose		<a href="#">4A1165-06</a>	1							
11a	Hose Clamp	2334 HC875	<a href="#">4A2017-09</a>	1							
11b	Hose Clamp	2326 HC672	<a href="#">4A2017-05</a>	1							
12	Vinyl Hose	L=450mm	<a href="#">7725-1923</a>	1							
12a	Hose Clamp	2334 HC875	<a href="#">4A2017-09</a>	1							
13	Fitting		<a href="#">4A0776G01</a>	1							
13a	T2 Screw	4x8 SS	<a href="#">7P32-0408</a>	2							
14	Vinyl Hose	L=45mm	<a href="#">7716-2025</a>	1							
14a	Hose Clamp	2334 HC875	<a href="#">4A2017-09</a>	2							
15	Drain Valve Bracket	GS	<a href="#">4A3447-01</a>	1							
15a	T2 Screw	4x8 SS	<a href="#">7P32-0408</a>	2							
16	Water Valve Bracket - (D)	GS	<a href="#">4A3667-01</a>	1							
16a	T2 Screw	4x8 SS	<a href="#">7P32-0408</a>	2							
17	Vinyl Hose	L=320mm	<a href="#">7716-1216</a>	1							
17a	Hose Clamp	2318 HC513	<a href="#">4A2017-08</a>	2							
18	Water Valve	DSVP12	<a href="#">4A2772-01</a>	1							
18a	T2 Screw	4x8 SS	<a href="#">7P32-0408</a>	2							
19	Vinyl Hose	L=65mm	<a href="#">7716-0913</a>	1							
20	Cable Tie	CV-200	<a href="#">8911-0200</a>	4							
21	Elbow	P103165	<a href="#">4A3671-01</a>	1							
22	Reservoir Tube	L=320mm	<a href="#">4A3672-01</a>	1							
23	Insulation Tubing	L=320mm	<a href="#">7762-1626</a>	1							

# E. Control Box Assembly

## FS-1001MLH/-C

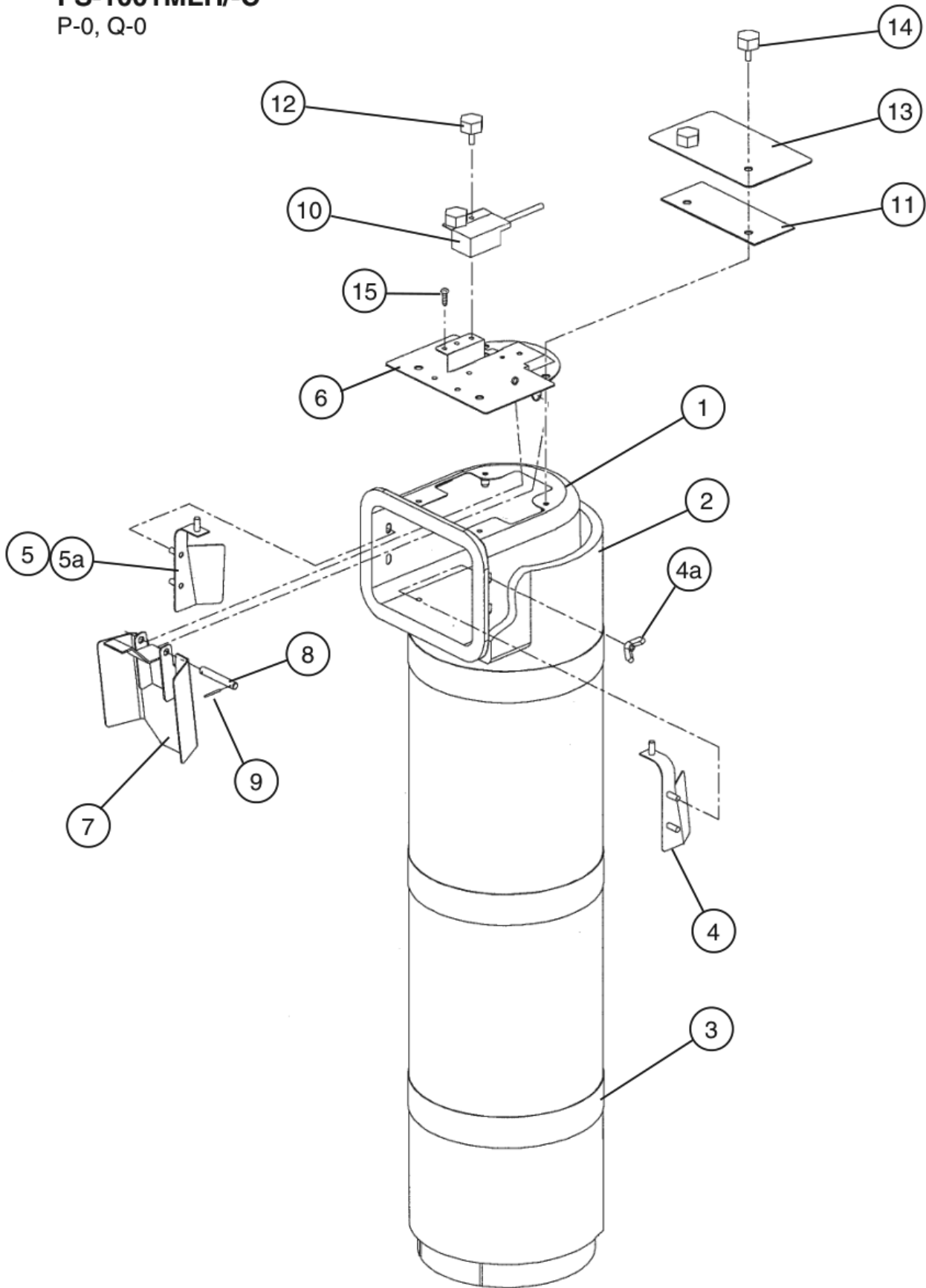
P-0, Q-0



Title: **E. Control Box Assembly** Model: **FS-1001MLH/-C**

Index No.	Description	Material or Model Number	Part Number	Required Number									
				P-0	Q-0								
1	Control Box	GS	<a href="#">2A3469-01</a>	1									
2	Rocker Switch	62111929-O-O-N	<a href="#">4A0558-01</a>	1									
3	Toggle Switch	1-8965H	<a href="#">4A2332-01</a>	1									
4	Fuse Holder	HTB92I	<a href="#">4A0892-01</a>	1									
5	Fuse (Timer Board)	AGC-1 250V 1A	<a href="#">4A0893-01</a>	1									
6	Fuse Holder	HTB92M	<a href="#">4A0892-02</a>	1									
7	Fuse (Gear Motor)	GMD-3A 250V	<a href="#">4A0893-06</a>	1									
8	Timer Board	H2AA144C01	<a href="#">437305-01</a>	1									
8a	Board Support	CBLS37-M	<a href="#">4A0336-03</a>	4									
9	Relay (Water Control)	Omron LY2F-AC24	<a href="#">406132-03</a>	1									
9a	Tapping Screw	3x8	<a href="#">431415-01</a>	2									
10	Cam Timer	M175	<a href="#">4A2157-01</a>	1									
10a	Screw	#6 - 32x3/8	<a href="#">4A0898-01</a>	2									
11	Capacitor	UP25B246UWF, 24µF, 250VAC	<a href="#">4A2273-01</a>	1									
11a	T2 Screw	4x8 SS	<a href="#">7P32-0408</a>	1									
12	Transformer	BE141625GEK	<a href="#">4A0557-01</a>	1									
12a	T2 Screw	4x8 SS	<a href="#">7P32-0408</a>	2									
13	Relay (Gear Motor)	Omron LY2F-AC110/120	<a href="#">406132-07</a>	1									
13a	Tapping Screw	3x8	<a href="#">431415-01</a>	2									
14	12P Plug Housing	3191-12P-201	<a href="#">412832-04</a>	1									
15	3P Plug Housing	3191-3P-201	<a href="#">412832-06</a>	1									
16	9P Plug Housing	3191-09P	<a href="#">412832-02</a>	1									
17	Control Box Cover	GS	<a href="#">4A3675-01</a>	1									
17a	Truss Head Screw	4x8 SS	<a href="#">7C32-0408</a>	2									
17b	Thumbscrew	SS, ABS	<a href="#">415949G10</a>	1									
18	Time Delay Relay		<a href="#">4A3761-01</a>	1									
18a	Truss Head Screw	4x30 SS	<a href="#">7C32-0430</a>	1									

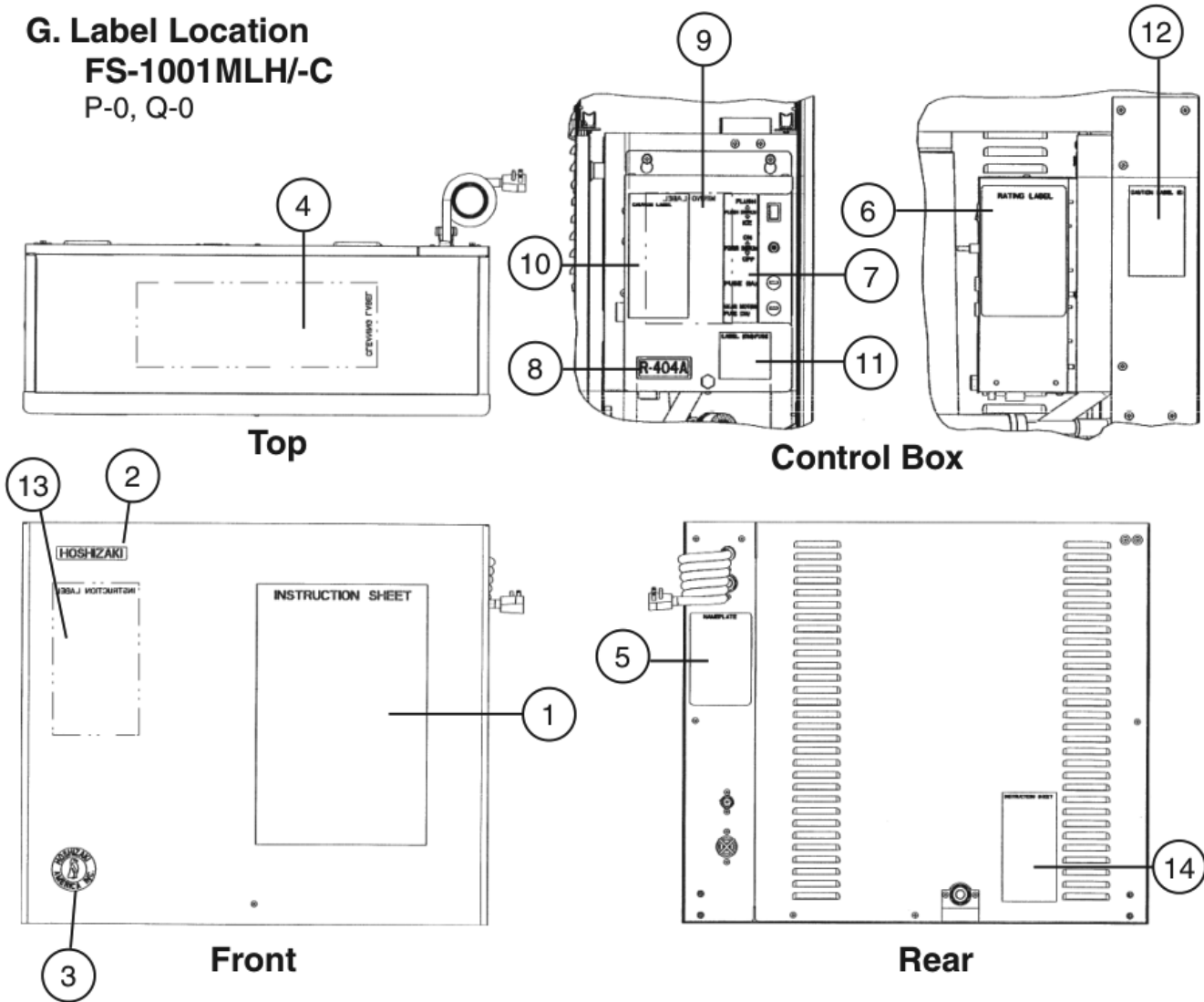
**F. Chute Assembly**  
**FS-1001MLH/-C**  
P-0, Q-0



Title: **F. Chute Assembly** Model: **FS-1001MLH/-C**

Index No.	Description	Material or Model Number	Part Number	Required Number									
				P-0	Q-0								
1	Chute	PE	2A1919-01	1									
2	Insulation-Chute	PE Foam	2A1920-01	1									
3	Tie	PA	436531G01	3									
4	Baffle - Chute (A)	SS	3A0400G01	1									
4a	Wing Nut	4, SS	7E12-0400	3									
5	Baffle - Chute (B)	SS	3A0399G01	1									
5a	Wing Nut	4, SS	7E12-0400	3									
6	Bin Control Assembly	SS	3A1744G01	1									
7	Actuator	SS	436848G01	1									
8	Shaft	SS	436851-01	1									
9	Snap Pin	SSP-5, SS	715S-0005	2									
10	Proximity Switch	E00901	4A2033-01	1									
11	Packing	EPDM	441217-01	1									
12	Thumbscrew	SS, ABS	415949G08	2									
13	Plate	SS	4A2039-01	1									
14	Thumbscrew	SS, ABS	415949G10	2									
15	Truss Head Screw	4x8 SS GND	7C32-0408	1									

**G. Label Location**  
**FS-1001MLH/-C**  
P-0, Q-0



Title: G. Label Location Model: FS-1001MLH/-C																				
Index No.	Description	Material or Model Number	Part Number	Required Number																
				P-0	Q-0															
1	Instruction Sheet	Paper	2A3222-01	1																
2	Emblem	PETP Film	4A0560-01	1																
3	Label - Penguin - HA-R	PETP Film	4A0526-01	1																
4	Label - Cleaning	PVC Film	2A3445-01	1																
5	Nameplate	FS-1001MLH	3A3241-02	1																
		FS-1001MLH-C PES Film	3A3241-01	1																
6	Rating Label	FS-1001MLH	3A3242-02	1																
		FS-1001MLH-C PES Film	3A3242-01	1																
7	Control Label	PVC Film	4A2234-01	1																
8	Label - R-404A		4A0960-01	1																
9	Wiring Label	PVC Film	3A3505-01	1																
10	Caution Label (H)	PVC Film	439148-01	1																
11	Label (GM) - Fuse	PVC Film	4A2835-01	1																
12	Caution Label (E)	PVC Film	439145-01	1																
13	Instruction Label	PVC Film	326371-01	1																
14	Instruction Sheet	Paper	433523-01	1																

**H. Accessories**  
**FS-1001MLH/-C**  
P-0, Q-0

Title: <b>H. Accessories</b> Model: <b>FS-1001MLH/-C</b>											
Index No.	Description	Material or Model Number	Part Number	Required Number							
				P-0							
1	Instruction Manual	Paper	91A2PB10A	1							
2	Bracket	GS	4A3668-01	2							
3	Phillips Head Tapping Screw	#12 3/4"	7P1111234	4							