



HOSHIZAKI

Parts List

Modular Flaker
Serenity Series

Models
FS-1022MLJ-C



hoshizakiamerica.com

Number: 71406
Issued: 4-25-2018
Revised: 12-11-2019

CONTENTS

Auxiliary Codes.....	3
Note About Ordering Parts	3
A. Main Assembly & Refrigeration Circuit	4
B. Icemaking Unit	7
C. Water Circuit	9
D. Control Box Assembly.....	11
E. Accessories & Labels	12

Auxiliary Codes

FS-1022MLJ-C

G-0 September 2017
H-0 July 2018
J-0 January 2019
J-1 June 2019

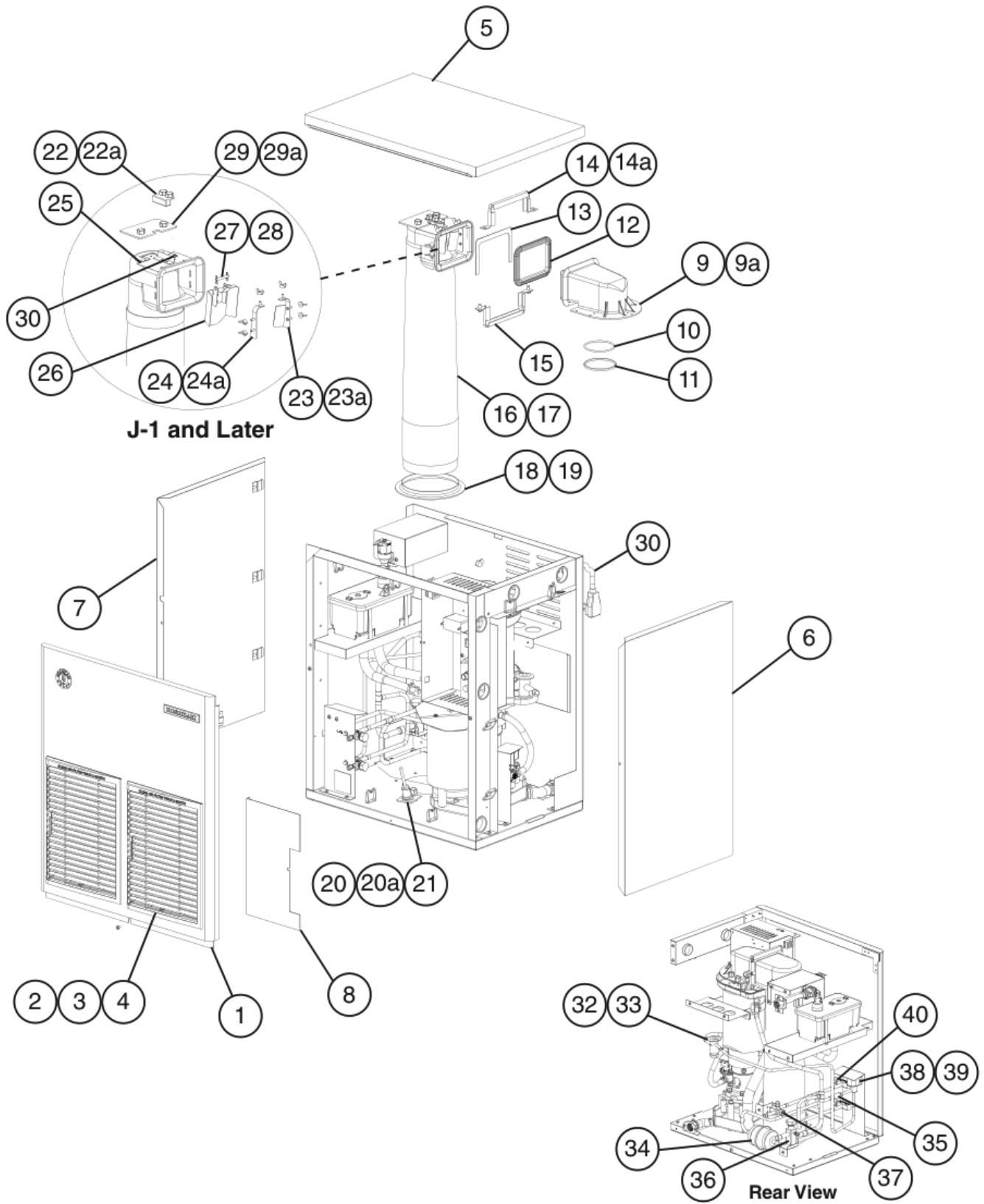
Auxiliary Code Breakdown

The auxiliary code is the first two characters in the serial number. The first character indicates the year. Years progress or regress in alphabetical order. The series runs from "A" through "V" and the letters "I" and "O" are skipped. The second character indicates significant part changes within a year. Base is "0" and this number advances for each change. In cases where there is a letter in parentheses, this designates the month. This is the last character in the serial number. The series runs from "(A)" through "(M)" and the letter "(I)" is skipped. This designation is only included when identifying a parts change within an auxiliary code.

Note About Ordering Parts

Most assemblies cannot be ordered as complete units; parts in the assemblies generally must be ordered separately.

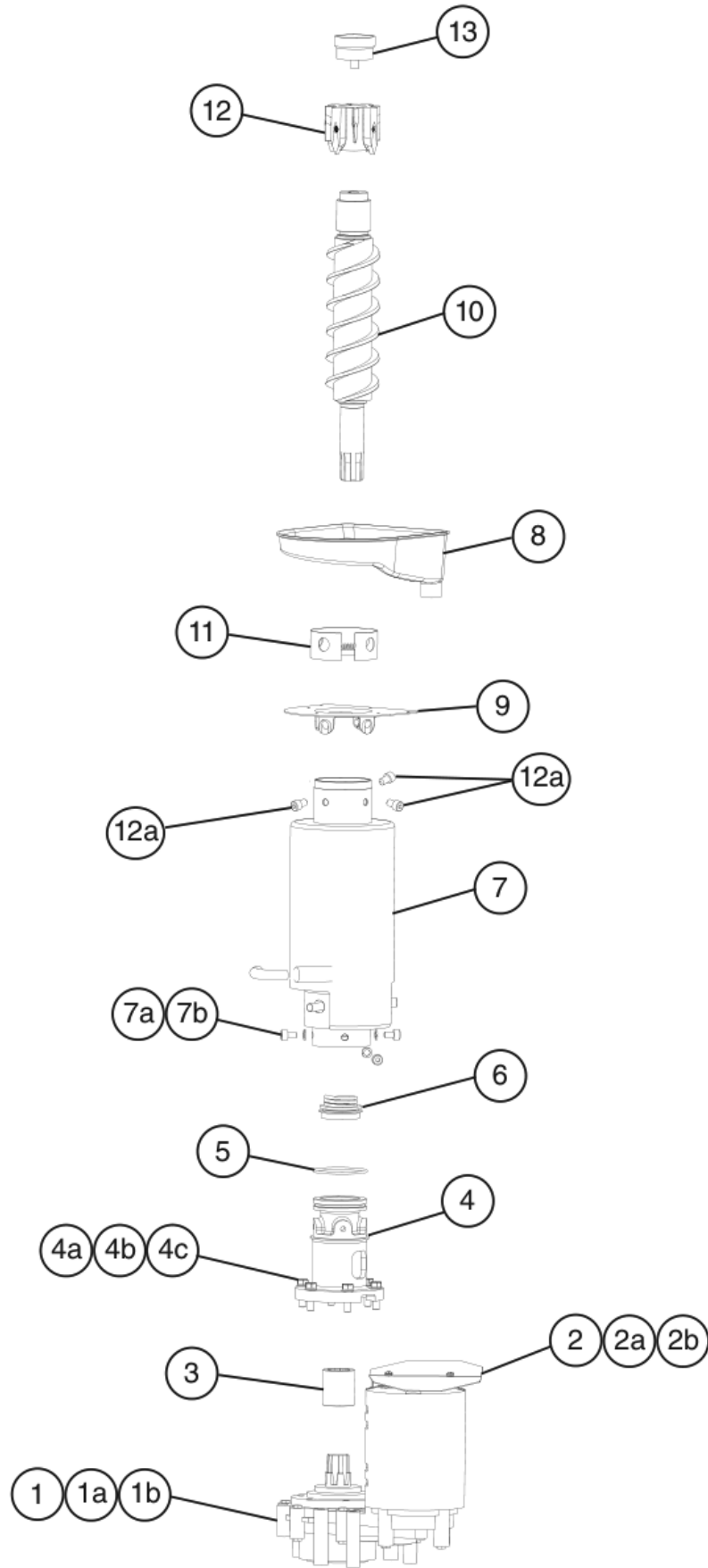
A. Main Assembly & Refrigeration Circuit
FS-1022MLJ-C
 G-0 to J-1



Title: A. Main Assembly & Refrigeration Circuit Model: FS-1022MLJ-C												
Index No.	Description	Material or Model Number	Part Number	Required Number								
				G-0 H-0	J-0	J-1						
Main Assembly												
1	Front Panel		2A6327-01	1	-							
			2A2071-01		1	1						
2	Louver/Filter Assembly (includes items 3 and 4)		2A6649A02		2	2						
3	Louver		1A0548-01		2	2						
4	Air Filter		2A2063G01		2	2						
5	Top Panel		2A6326-01	1	1	1						
6	Right Side Panel		2A6324G01	1	1	1						
7	Left Side Panel		2A6325G01	1	1	1						
8	Control Box Cover		3A0411-01	1	1	1						
9	Spout		104797-01	1	1	1						
9a	Thumbscrew		415949G11	5	5	5						
10	O-Ring		4A4755-03	1	1	1						
11	Nylon Ring		432661-02	1	1	1						
12	Spout-to-Chute Packing		321037-01	1	1	1						
13	Spout-to-Chute Bracket		4A1712-01	1	1	1						
14	Upper Strap		328703-02	1	1	1						
14a	Wing Nut		7E12-0600	2	2	2						
15	Lower Strap		321038G02	1	1	1						
16	Chute		2A1919-03	1	1	-						
			2A1919-01			1						
17	Chute Insulation		2A1920-01	1	1	1						
18	Chute Packing		432877-01	1	1	1						
19	Ring		3A1017-01	1	1	1						
20	Bin Control 1 (Infrared Sensor)		4A4469-01	1	1	1						
20a	Thumbscrew		415949G11	1	1	1						
21	Infrared Sensor Housing		3A3478-01	1	1	1						
22	Bin Control 2 (Proximity Switch) (mechanical bin control)		4A2033-01			1						
22a	Thumbscrew		415949G10			2						
23	Chute Baffle A		3A0400G01			1						
23a	Wing Nut		7E12-0400			3						
24	Chute Baffle B		3A0399G01			1						
24a	Wing Nut		7E12-0400			3						
25	Bin Control 2 Bracket (mechanical bin control)		3A1744G01			1						
26	Actuator		436848G01			1						
27	Shaft		436851-01			1						
28	Snap Pin		715S-0005			2						
29	Plate		4A2039-01			1						
29a	Thumbscrew		415949G10			2						
30	Power Cord		4A5718-01	1	1	1						

Title: A. Main Assembly & Refrigeration Circuit Model: FS-1022MLJ-C												
Index No.	Description	Material or Model Number	Part Number	Required Number								
				G-0 H-0	J-0	J-1						
Refrigeration Circuit												
32	Thermostatic Expansion Valve		4A3493-01	1	1	1						
33	Thermostatic Expansion Valve Cover		4A1168-01	1	1	1						
34	Drier		4A1338-01	1	1	1						
35	Strainer		4A1385-01	1	1	1						
36	Suction Shut Off Valve		4A3490-01	1	1	1						
37	Liquid Shut Off Valve		4A3491-01	1	1	1						
38	Liquid Line Valve Body		4A3276-01	1	1	1						
39	Valve Coil		4A3277-01	1	1	1						
40	Service Valve		4A3420-01	2	2	2						

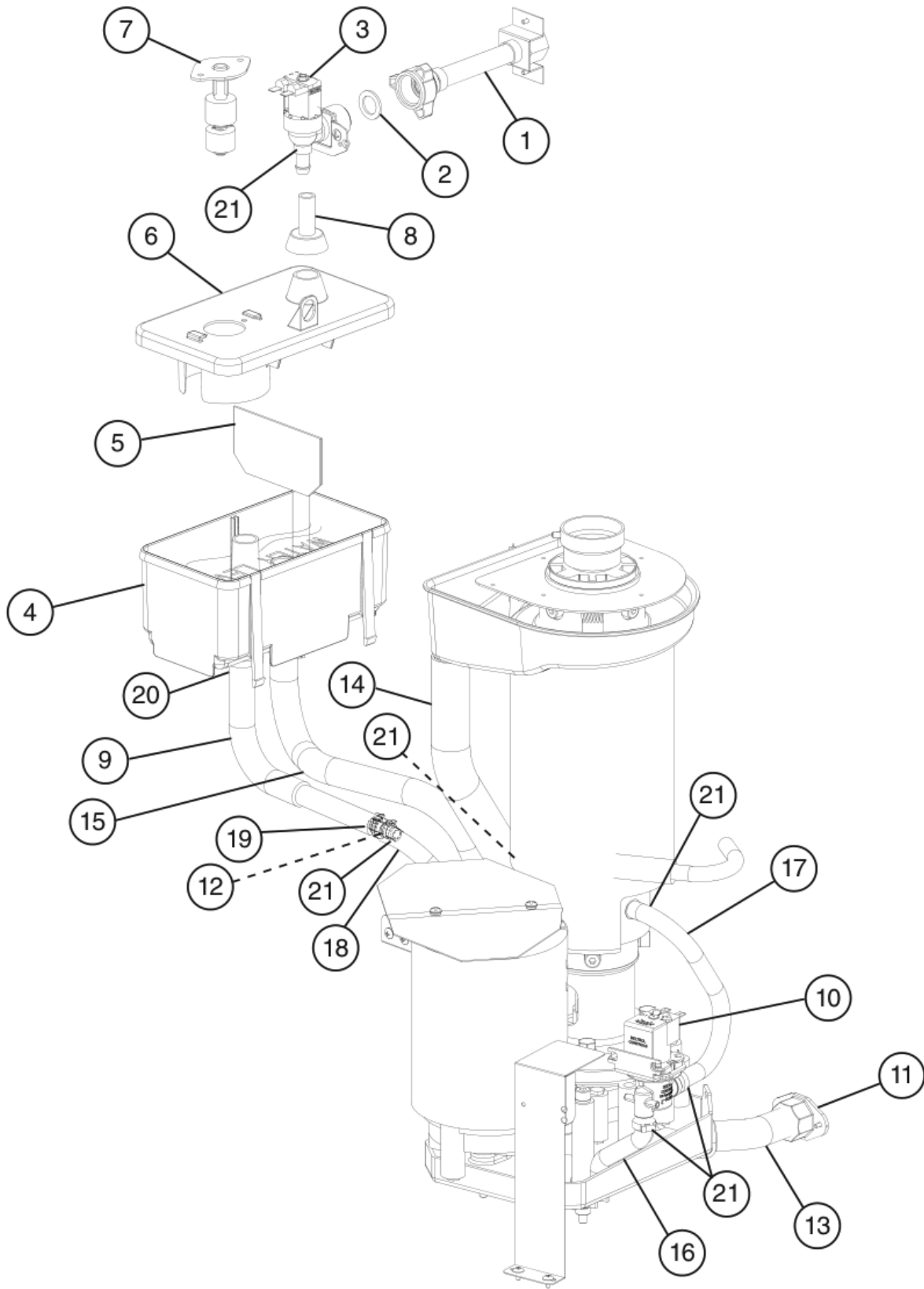
B. Icemaking Unit
FS-1022MLJ-C
G-0 to J-1



Title: B. Icemaking Unit Model: FS-1022MLJ-C

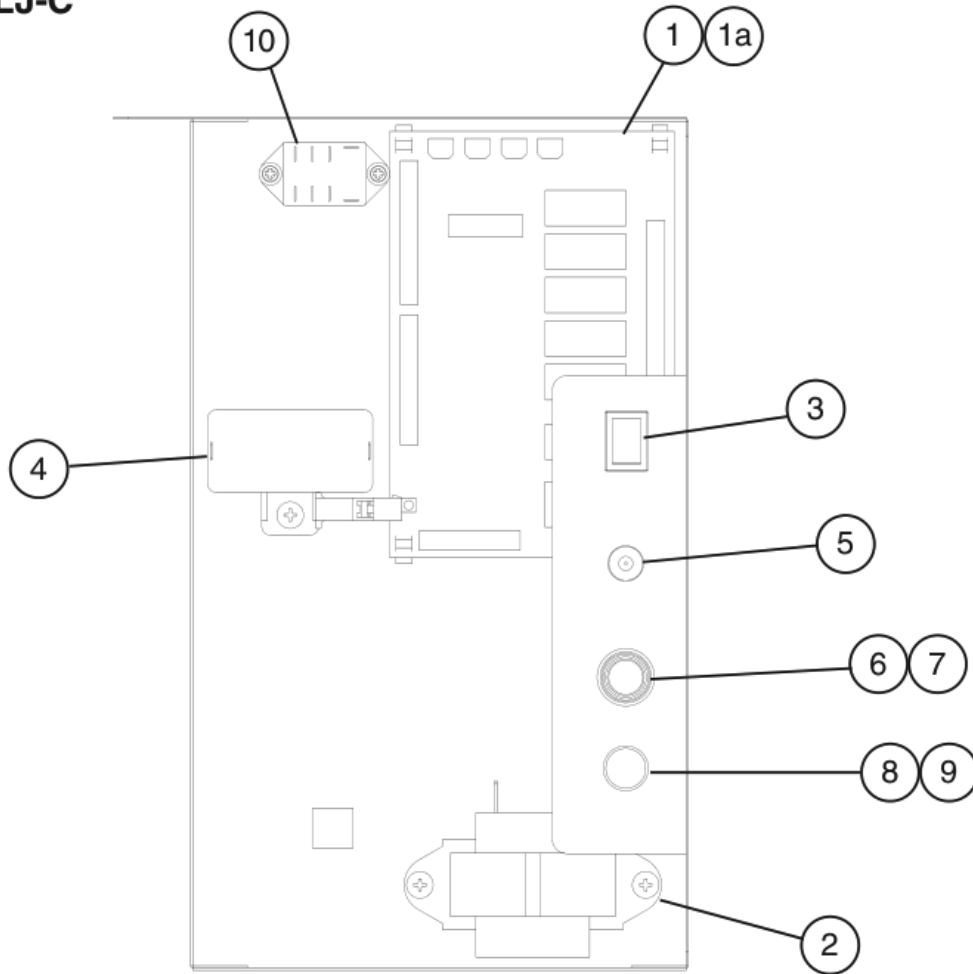
Index No.	Description	Material or Model Number	Part Number	G-0 to J-1	Required Number								
1	Gear Motor		4A2007-01	1									
1a	Socket Head Cap Screw		7S12-0811	3									
1b	Split Lock Washer		7L22-0800	3									
2	Gear Motor Barrier		4A4029-01	1									
2a	Rubber Washer		4A5268-01	2									
2b	Truss Head Screw	4x8	7C32-0408	2									
3	Spline Coupling		414137-01	1									
4	Housing		2A1977G01	1									
4a	Hex Head Bolt	8x30	7B02-0830	6									
4b	Flat Washer		7W22-0800	6									
4c	Split Lock Washer		7L22-0800	6									
5	O-Ring		4A4755-02	1									
6	Mechanical Seal		432492-01	1									
7	Evaporator		2A7209G01	1									
7a	Split Lock Washer		7L22-0800	4									
7b	Socket Head Cap Screw	8x12	7S12-0812	4									
8	Drip Pan		2A7187-01	1									
9	Flange		352713-01	1									
10	Auger		120863G02	1									
11	Evaporator Heater		4A2292-01	1									
12	Extruding Head		216530G07	1									
12a	Seal Bolt		P01768-02	4									
13	Cutter		427183G01	1									

C. Water Circuit
FS-1022MLJ-C
G-0 to J-1



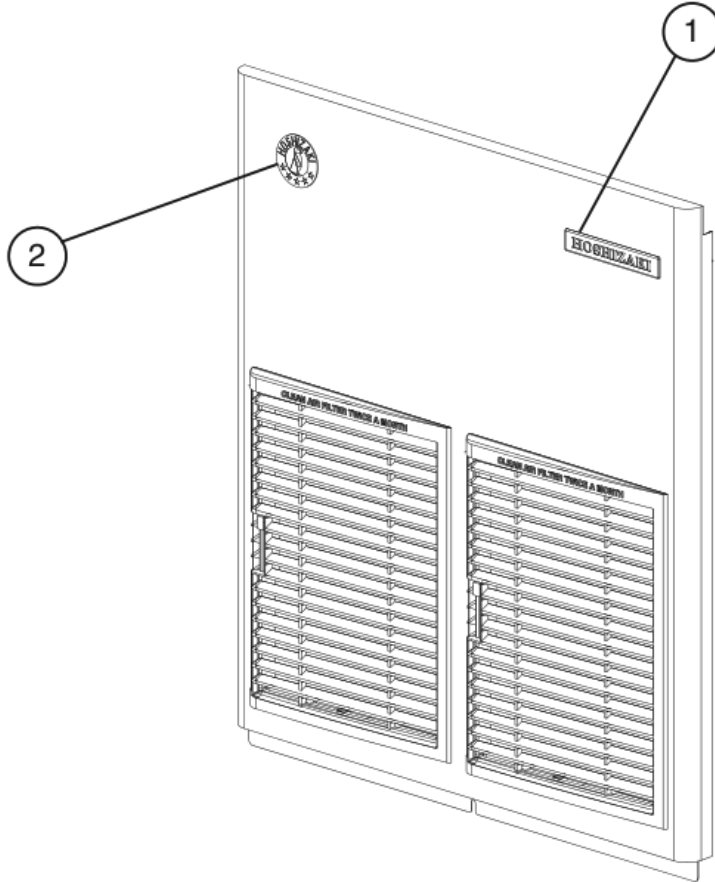
Title: C. Water Circuit Model: FS-1022MLJ-C												
Index No.	Description	Material or Model Number	Part Number	G-0 to J-1	Required Number							
Main Assembly												
1	Water Supply Pipe		4A4026G02	1								
2	Rubber Gasket		413854-03	1								
3	Inlet Water Valve		4A5309-01	1								
4	Reservoir		2A0753-01	1								
5	Reservoir Separator		4A1255-01	1								
6	Reservoir Cover		214810-01	1								
7	Float Switch		435490-01	1								
8	Reservoir Inlet		4A0869-01	1								
9	Reservoir Hose		4A1165-05	1								
10	Drain Valve		4A2772-01	1								
11	Drain Fitting		4A5527-01	1								
12	Barb Coupling		4A5269-01	1								
13	Vinyl Hose	L=65 mm	7716-2025	1								
14	Vinyl Hose	L=450 mm	4A0658L01	1								
15	Vinyl Hose	L=510 mm	7725-1923	1								
16	Silicone Hose	L=110 mm	7730I3896	1								
17	Silicone Hose	L=230 mm	7730I3896	1								
18	Silicone Hose	L=155 mm	7730I3896	1								
Hose Clamps												
	Hose Clamp	17-21 mm	4A2017-05	1								
	Hose Clamp	19-22 mm	4A2017-06	1								
	Hose Clamp	14-15 mm	4A2017-08	6								

D. Control Box Assembly
FS-1022MLJ-C
 G-0 to J-1



Title: D. Control Box Assembly Model: FS-1022MLJ-C										
Index No.	Description	Material or Model Number	Part Number	Required Number						
				G-0 to H-0	J-0	J-1				
1	Control Board		2A9093-01	1	1	1				
1a	Control Board Support		4A0336-03	4	4	4				
2	Control Transformer		4A0557-01	1	1	1				
3	Control Switch		4A0558-01	1	1	1				
4	Gear Motor Capacitor	24MFD, 250VAC	4A2273-01	1	1	1				
5	Power Switch		4A2332-01	1	1	1				
6	Fuse Holder		4A5443-01	1	1	1				
7	Control Board Fuse	AGC-1A, 250VAC	4A0893-01	1	1	1				
8	Fuse Holder		4A6101-01	1	1	1				
9	Gear Motor Fuse	GMD-3A, 250VAC Slow Blow	4A0893-06	1	1	1				
10	Compressor Control Relay		418271-03	1	-					
			406132-07		1	-				
			4A6558-01				1			

E. Accessories & Labels
FS-1022MLJ-C
 G-0 to J-1



Title: E. Accessories & Labels Model: FS-1022MLJ-C				Required Number								
Index No.	Description	Material or Model Number	Part Number	G-0 to J-1								
1	Emblem		4A0560-01	1								
2	Penguin Label		475552L02	1								
3	Universal Bracket		4A3668-01	2								
3a	Hex Bolt		7B02-0512	4								
3b	Self-Drilling Bolt		7P1111234	4								