

26.0 GC SERIES GC656-GC756-GC806 AIR, WATER AND REMOTE (COMPUTER AND ELECTROMECHANICAL)

Item Code	PART DESCRIPTION	Part Number	GRP	GC	GC	GC
				656	756	806
Shaded Item Code indicates updated information						
AIR COOLED						
5	Air Condenser	NLA	AC	X	X	
5	Air Condenser	NLA	AC			X
10	Condenser Fan Blade	9131225-01	AC	X	X	
15	Condenser Fan Motor	9161089-03	AC	X	X	X
15	Condenser Fan Blade	9131332-02	AC			X
20	Fan Motor Bracket (2 Required Prior to 8/94)	NLA	AC	X	X	
20	Fan Motor Bracket (From 8/94)	3012527-01	AC	X	X	X
25	Rear Screen	NLA	AC	X	X	
COMPRESSOR AND COMPONENTS (*Kit Includes Drier and Start Components)						
100	Compressor (Bristol-M65B972BBCB)	1051122-01	C		X	
100	*Compressor Kit (Copeland RS70CIE-PFV-214)	9181083-11	C	X		
100	*Compressor Kit (GC756R3CK)(Cope RS86C1E-PFV)	9181112-11	C		X	
100	*Compressor Kit (Copeland CS10K6E-PFV)	9181106-11	C			X
105	Run Capacitor (Copeland CS10K6E-PFV)	9181009-16	C			X
105	Run Capacitor (Copeland RS86C1E-PFV)	9181009-11	C		X	
105	Run Capacitor (M65B972BBCB)	9181009-11	C		X	
105	Run Capacitor (RS70CIE-PFV-214)	9181009-11	C	X		
110	Start Capacitor (Copeland CS10K6E-PFV)	9181003-07	C			X
110	Start Capacitor (Copeland RS86C1E-PFV)	9181003-26	C		X	
110	Start Capacitor (RS70CIE-PFV-214)	9181003-20	C	X		
110	Start Capacitor (M65B972BBCB)	9181003-11	C		X	
115	Start Relay (Copeland CS10K6E-PFV)	9181010-12	C			X
115	Start Relay (Copeland RS86C1E-PFV)	9181010-12	C		X	
115	Start Relay (RS70CIE-PFV-214)	9181010-12	C	X		
115	Start Relay (M65B972BBCB)	NLA	C		X	
ELECTRICAL-CONTROL BOARD-FROM 2/96						
200	Bin Control Thermostat	9041004-06	E		X	X
205	Circuit Board (With Extended Purge)(Green Dual Volt)	9101293-01	E		X	X
	Circuit Board Fuse (9101283-02)	9101236-02	E		X	X
210	Contactator	9101002-04	E		X	X
215	Fill Switch	9101139-03	E		X	X
220	High Temperature Safety Control	9041087-02	E		X	X
225	Ice/Off/Wash Switch	9101195-01	E		X	X
230	Purge Switch	9101139-03	E		X	X
235	Thermistor	9101150-06	E		X	X
240	Thermostatic Timer Initiate	9041004-05	E		X	X
ELECTRICAL-SOLID STATE CONTROLLED PRIOR TO 2/96						
200	Bin Level Sonar	NLA	E	X	X	
205	Condenser Thermistor	9101050-06	E	X	X	
210	Contactator (Air and Water)	9101002-04	E	X	X	
210	Contactator (2 Pole) (Remote)	9101015-04	E		X	
215	Control Board Assembly (Computer Controlled)	NLA	E	X	X	
220	Evaporator Thermistor	9101150-06	E	X	X	
225	Fuse-Replacement-(1/8 Amp, 250V Slow Blow)	9101177-04	E	X	X	
226	Fuse-Replacement-(4 Amp, 250V Slow Blow)	9101177-03	E	X	X	
230	Harness Assembly Plug (Replacement Computer Boards)	NLA	E	X	X	
MISCELLANEOUS						
300	Air Filters (3 Filters)	NLA	M	X	X	X
305	Air Filter Brackets	NLA	M	X	X	X
310	Baffle (For 6 Inch Clearance)	NLA	M	X	X	X
315	Clip-Front Water Pan	3012670-01	M	X	X	X
320	Clip-Rear Water Pan	3012671-01	M	X	X	X
325	Evaporator Support - Bottom	3012429-01	M	X	X	X
330	Evaporator Support - Top	3012661-01	M	X	X	X
	Clamp - Inlet Water Tube to Housing	9191186-03	M	X	X	X
	Clamp - Purge Valve Tube to Pump Housing	9021040-01	M	X	X	X

26.0 GC SERIES GC656-GC756-GC806 AIR, WATER AND REMOTE (COMPUTER AND ELECTROMECHANICAL)

Item Code	PART DESCRIPTION	Part Number	GRP	GC	GC	GC
				656	756	806
Shaded Item Code indicates updated information						
MISCELLANEOUS (Continued)						
	Clamp - Water Pump Tube to Pump	9021010-05	M	X	X	X
	Clamp - Purge Valve to Tubes (2)	9021010-04	M	X	X	X
	Clamp - Water Inlet Valve	9021010-04	M	X	X	X
335	Standoff-Control Board	NLA	M	X	X	X
	Hot Gas Valve Kit (Replaces SAG Valve)	NLA	M	X	X	
PANELS						
400	Cover Compressor Compartment	NLA	P	X	X	X
401	Enclosure Front Panel	3012622-01	P	X	X	X
405	Front Panel Assembly (Diagnostic Units Only)	NLA	P	X	X	X
405	Front Panel Assembly	9051392-01	P		X	X
415	Side Panel-With Louvers	9051314-01	P	X	X	X
425	Side Panel-Without Louvers	NLA	P	X	X	X
425	Splash Shield	3012656-01	P	X	X	X
430	Top Panel Assembly	9051313-01	P	X	X	X
REFRIGERATION						
501	Evaporator Assembly	2051200-01S	REF	X	X	X
505	Fan Control	9041003-03	REF	X	X	X
510	Filter Drier (Remote and Water Cooled)	9151004-04				X
510	Filter Drier (Air)	9151004-02				X
510	Filter Drier (Air and Water Cooled)	9151004-02	REF	X	X	
510	Filter Drier (Remote)	9151004-04	REF	X	X	
515	High Pressure Control	9041051-04	REF	X	X	X
520	Hot Gas Valve Body - ALCO	9151123-01	REF	X	X	X
521	Hot Gas Valve Coil - ALCO (230 Volt)	9151123-04	REF	X	X	X
525	Hot Gas Valve Strainer	9151087-01	REF	X	X	
530	Service Valve Cap	9091086-03	REF	X	X	X
531	Service Valve Core	9091086-02	REF	X	X	X
532	Service Valve Stem	9091086-01	REF	X	X	X
535	TXV Assembly (GC806)	2041623-05S	REF			X
535	TXV Assembly (After 6/96-GC756 Air and Water)	2041623-01	REF		X	
535	TXV Assembly (After 11/95-GC756R-GC656 Air and Water)	2041623-01	REF	X	X	
540	TXV Only (2041623-05 TXV Assembly)	9151006-14				X
540	TXV Only (2041623-01 TXV Assembly)	9151006-11	REF	X	X	
REFRIGERATION						
GC656-GC756 Manufactured Before 7/95						
535	TXV Assembly (R404 2 Ea. 9151006-08 TXV)(Before 7/95)	NLA	REF	X	X	
540	TXV Only (Y958-BIS-1/2) (2041585-01 Assembly)	9151006-08	REF	X	X	
GC656-GC756R Manufactured From 7/95 Through 11/95						
535	TXV Assembly (R404-9151006-11 TXV)	NLA	REF	X	X	
540	TXV Only (Y958-BISE-1) (2041611-01 Assembly)	9151006-11	REF	X	X	
GC756 Air & Water Cooled Manufactured From 11/95 Through 6/96 (Ref. SB #-96)						
535	TXV Assembly GC756 A&W (11/95-6/96)(REF SB #3-96)	NLA	REF		X	
540	TXV Only (With Bleed Port)(Y958-BISE-1-BP10)	9151097-01	REF		X	
REMOTE						
605	Check Valve	9151023-01	REM		X	
610	Head Pressure Control Valve (Mixing 240PSI)	9151027-06	REM		X	
620	Liquid Line Solenoid Body - ALCO	9151123-02	REM		X	
620	Liquid Line Solenoid Coil - ALCO 230V	9151123-04	REM		X	
625	Pumpdown Control	9041040-01	REM		X	
600	Receiver	9151074-01	REM		X	X
REMOTE CONDENSER						
740	Coupling Half Bulkhead 1/2 (Condenser/Machine)	9091001-12	RC		X	X
745	Coupling Half Bulkhead 3/8 (Condenser/Machine)	9091001-11	RC		X	X
750	Coupling Half Lineset 1/2	9091001-08	RC		X	X
755	Coupling Half Lineset 1/2 (With Service Port)	9091001-10	RC		X	X
760	Coupling Half Lineset 3/8	9091001-02	RC		X	X

26.0 GC SERIES GC656-GC756-GC806 AIR, WATER AND REMOTE (COMPUTER AND ELECTROMECHANICAL)

Item Code	PART DESCRIPTION	Part Number	GRP	GC	GC	GC
				656	756	806
Shaded Item Code indicates updated information						
REMOTE CONDENSER (Continued)						
765	Coupling Half Lineset 3/8 (With Service Port)	9091001-04	RC		X	X
766	Coupling Half Mounting Flange 1/2	9091001-09	RC		X	X
767	Coupling Half Mounting Flange 3/8	9091001-03	RC		X	X
770	Fan Blade (IOM Condenser)	9131357-01	RC		X	X
775	Fan Motor (IOM Condenser)	9161110-02	RC		X	X
780	Fan Shroud (IOM Condenser)	9131356-01	RC		X	X
770	Fan Blade (Larkin Condenser)	1011179-98	RC		X	
775	Fan Motor (Larkin Condenser)	1011179-99	RC		X	
780	Fan Shroud (Larkin Condenser)	1011179-97	RC		X	
WATER COOLED						
570	Drain Fitting	2041454-01	WC	X	X	
575	Water Condenser	9141020-01	WC	X	X	X
580	Water Regulating Valve	9041059-01	WC	X	X	X
WATER DISTRIBUTION						
800	Ice Rack	9051315-01	WD	X	X	X
805	Sump Gasket	9051285-01	WD	X	X	X
810	Water Distribution Pan Assembly	3051194-02	WD	X	X	X
815	Water Distributor	9051269-01	WD	X	X	X
820	Water Pump Tube (Cut To Length=23")	6021015-07	WD	X	X	X
WATER FLOAT ASSEMBLY						
850	Water Inlet	9051317-01	WF		X	X
851	Float Housing	9051270-01	WF		X	X
853	Float Housing Gasket	9051341-01	WF		X	X
855	Float Housing Screws	9031122-01	WF		X	X
857	Water Float Switch	2061685-91	WF		X	X
859	Water Float Assembly (Housing and Float Switch)	2061685-01	WF		X	X
WATER LEVEL SENSOR PRIOR TO 2/96						
840	High Level Water Sensor (Computer-Dual Float)	2061678-91	WS	X	X	
845	Low Level Water Sensor (Computer-Dual Float)	2061678-92	WS	X	X	
859	Water Level Sensor Assembly (Computer-Dual Float)	2061678-01	WS	X	X	
WATER INLET VALVE						
870	Water Inlet Valve (Prior To AUG 94)	9041071-01	WV	X	X	
870	Water Inlet Valve (After SEPT 94)	9041071-03	WV	X	X	X
871	Water Inlet Tube (2.5 FT.)	6021015-05	WV	X	X	X
WATER PUMP ASSEMBLY						
880	Water Pump Assembly (With Restrictor)	2061675-01	WP	X	X	X
881	Water Pump Base	9051262-02	WP	X	X	X
883	Water Pump Housing	9051262-01	WP	X	X	X
885	Water Pump Impeller	9051260-01	WP	X	X	X
886	Water Pump Impeller Spring	9131230-01	WP	X	X	X
887	Water Pump Motor Only	9161088-01	WP	X	X	X
889	Water Pump Restrictor (.438 Dia.)	9051259-03	WP	X	X	X
WATER PURGE VALVE						
890	Water Purge Valve	9041014-12	WPV	X	X	
890	Water Purge Valve	9041014-13	WPV			X
891	Water Purge Valve Tube-Purge Valve To Cabinet Rear	9051280-02	WPV	X	X	X
892	Water Purge Valve Tube-Purge Valve To Water Pump	9051280-01	WPV	X	X	X
895	Water Purge Valve Coil Only	9041014-91	WPV	X	X	X
896	Purge Drain Fitting	2041454-04	WPV	X	X	X

26.0 GC SERIES GC656-GC756-GC806 AIR, WATER AND REMOTE (COMPUTER AND ELECTROMECHANICAL)

Item Code	PART DESCRIPTION	Part Number	GRP	GC	GC	GC
				656	756	806

Shaded Item Code indicates updated information

REFRIGERANT CHARGE				
MODEL	REF TYPE	OZ.	DP	HP
GC656A	R404A	40		
GC656W	R404A	32	250	450
GC756A	R404A	40		
GC756W	R404A	30	250	450
GC756R	R404A	160		450
GC806A	R404A	50		
GC806W	R404A	30	250	450
GC806R	R404A	160		450

DP=DISCHARGE PRESSURE/WATER COOLED UNITS

HP=HIGH PRESSURE SAFETY CONTROL SETTING

SECTION 26.1
SPECIFIC TO 50 CYCLE
“GC” SERIES CUBERS

GC655

REFERENCE 60 CYCLE
PARTS LIST FOR
COMMON COMPONENTS

26.1 GC SERIES GC655 AIR, WATER AND REMOTE (COMPUTER AND ELECTROMECHANICAL)

Item Code	PART DESCRIPTION	PART NUMBER	GRP	GC 655
Shaded Item Code indicates updated information				
AIR COOLED				
5	Air Condenser	9141082-01	AC	X
15	Condenser Fan Motor	9161089-01	AC	X
COMPRESSOR AND COMPONENTS				
100	Compressor (50HZ) (R404A) (M65B972BBK)	9181087-02	C	X
105	Run Capacitor (50 HZ) (R404A) (M65B972BBK)	9181009-11	C	X
110	Start Capacitor (50 HZ) (R404A) (M65B972BBK)	9181003-19	C	X
110	Start Relay (50HZ) (R404) (M65B972BBK)	9181010-19	C	X
COMPRESSOR AND COMPONENTS-R22				
100	Compressor (50HZ) (R22) (RSL5-0101-PFJ)	9181081-01	C	X
105	Run Capacitor (50 HZ) (R22) (RSL5-0101-PFJ)	9181009-17	C	X
110	Start Capacitor (50HZ) (R22) (RSL5-0101-PFJ)	9181003-26	C	X
115	Start Relay (50 HZ) (R22) (RSL5-0101-PFJ)	9181010-04	C	X
ELECTRICAL-CONTROL BOARD-FROM 2/96				
205	Circuit Board (Adjustable Purge)	9101293-01	E	X
210	Contactors	9101002-04	E	X
ELECTRICAL-SOLID STATE CONTROLLED PRIOR TO 2/96				
210	Contactors (2 Pole) (Remote Only)	9101015-04	E	X
210	Contactors (Air and Water Only)	9101002-04	E	X
215	Control Board Assembly (Computer)	9101177-91	E	X
MISCELLANEOUS				
	Hot Gas Valve-(Replaces SAG Valve)	1051081-02	M	X
	Purge Kit For Hard Water Areas (230V.)	1051090-02	M	X
REFRIGERATION				
520	Hot Gas Valve Body - ALCO	9151123-01	REF	X
521	Hot Gas Valve Coil - ALCO 230V	9151123-04	REF	X
535	TXV Assembly (R404 9151006-11)	2041623-01	REF	X
535	TXV Assembly (R404 2 EA. 9151006-08)	2041585-01	REF	X
535	TXV Assembly (R22- 2 EA. 9151072-03)	2041585-02	REF	X
540	TXV Only (R404) (2041623-01)	9151006-11	REF	X
540	TXV Only (R22) (2041585-02)	9151072-03	REF	X
540	TXV Only (R404A)(2041585-01)	9151006-08	REF	X
REMOTE				
605	Mixing Valve (240 PSI-R404)	9151027-06	REM	X
605	Mixing Valve (180 PSI-R22 PSI)	9151027-05	REM	X
610	Liquid Line Solenoid Body - ALCO	9151123-02	REM	X
611	Liquid Line Solenoid Coil - ALCO 230V	9151123-04	REM	X
620	Receiver (R404)	9151074-01	REM	X
620	Receiver (R22)	9151060-01	REM	X
REMOTE CONDENSER				
775	Fan Motor	1011179-99	RC	X
WATER COOLED				
790	Water Condenser	9141020-01	WC	X
795	Water Regulating Valve	9041059-01	WC	X
WATER DISTRIBUTION				
835	Water Pump Tube (Cut to Length = 23 inches-Black)	6021043-02	WD	X
WATER LEVEL SENSOR-COMPUTER CONTROLLED				
840	High Level Water Sensor (Computer-Dual Float)	2061678-91	WS	X
845	Low Level Water Sensor (Computer-Dual Float)	2061678-92	WS	X
850	Water Level Sensor Assembly (Computer-Dual Float)	2061678-01	WS	X
WATER INLET VALVE				
860	Water Inlet Valve (Prior To AUG 94)	9041071-01	WV	X
860	Water Inlet Valve (After SEPT 94)	9041071-03	WV	X

26.1 GC SERIES GC655 AIR, WATER AND REMOTE (COMPUTER AND ELECTROMECHANICAL)

Item Code	PART DESCRIPTION	PART NUMBER	GRP	GC 655
Shaded Item Code indicates updated information				
860	Water Inlet Valve (European Only)	2101251-01	WV	X
WATER PUMP ASSEMBLY				
800	Water Pump Assembly (With Restrictor)	2061675-02	WP	X
875	Water Pump Restrictor (.438 DIA.)	9051259-03	WP	X
WATER PURGE VALVE				
900	Water Purge Valve	9041014-13	WPV	X
905	Water Purge Valve Coil Only	9041014-91	WPV	X

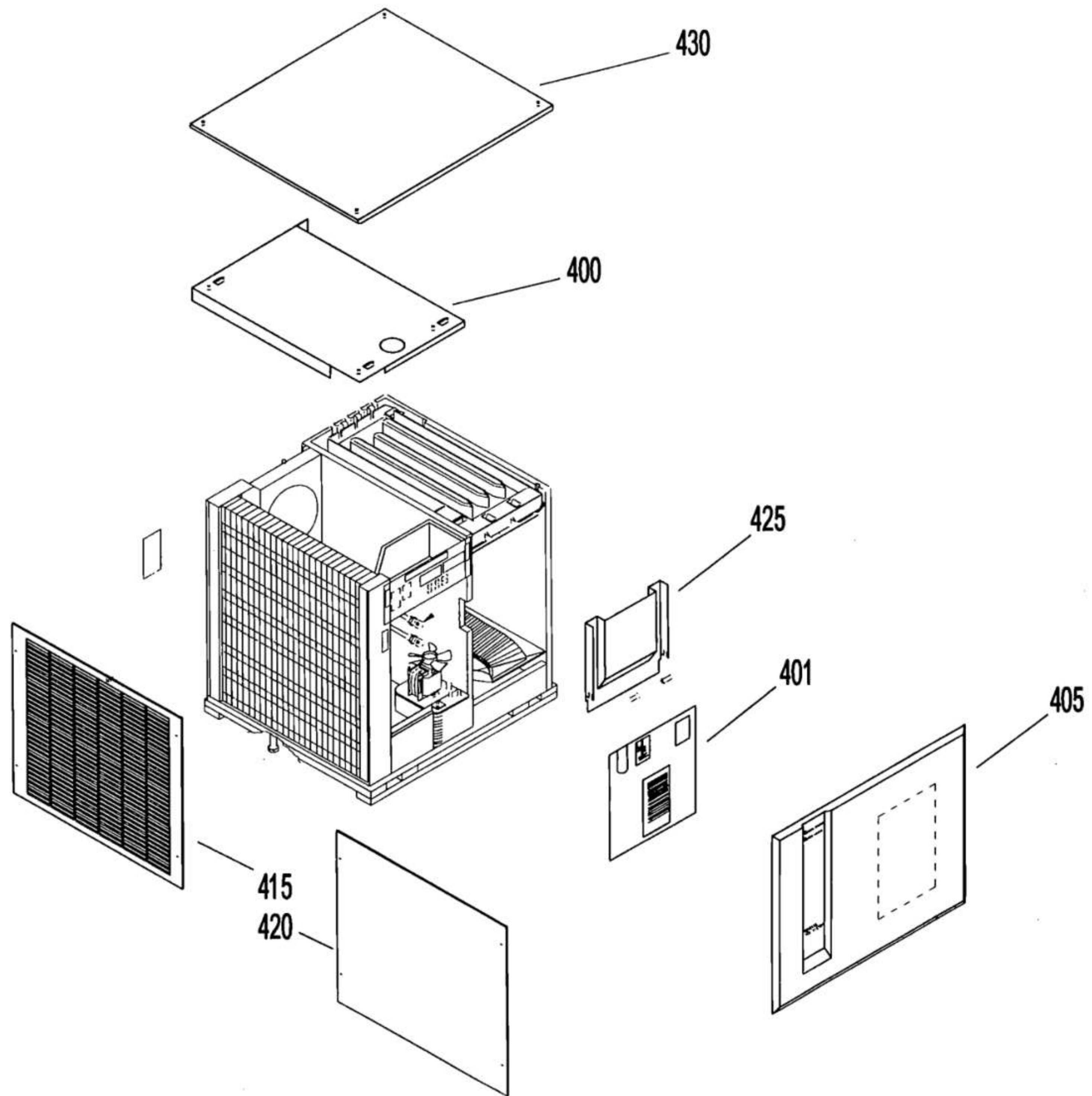
REFRIGERANT CHARGE				
MODEL	REF TYPE	OZ.		
GC655A	R404A	50		
GC655W	R404A	26	250	450
GC655R	R404A	160		450
GC655A	R22	50		
GC655W	R22	32	225	400
GC655R	R22	160		450

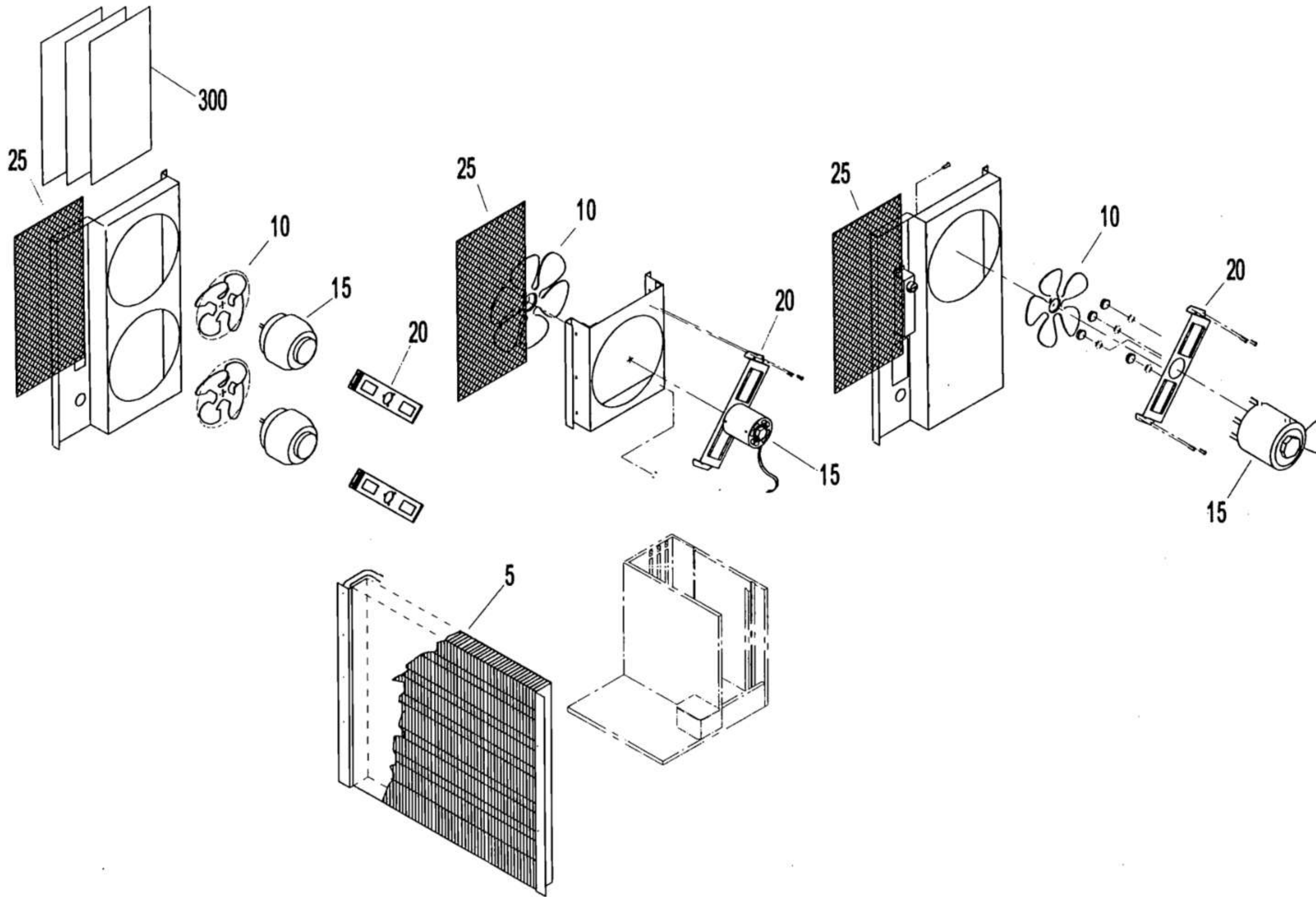
DP=DISCHARGE PRESSURE/WATER COOLED UNITS

HP=HIGH PRESSURE SAFETY CONTROL SETTING

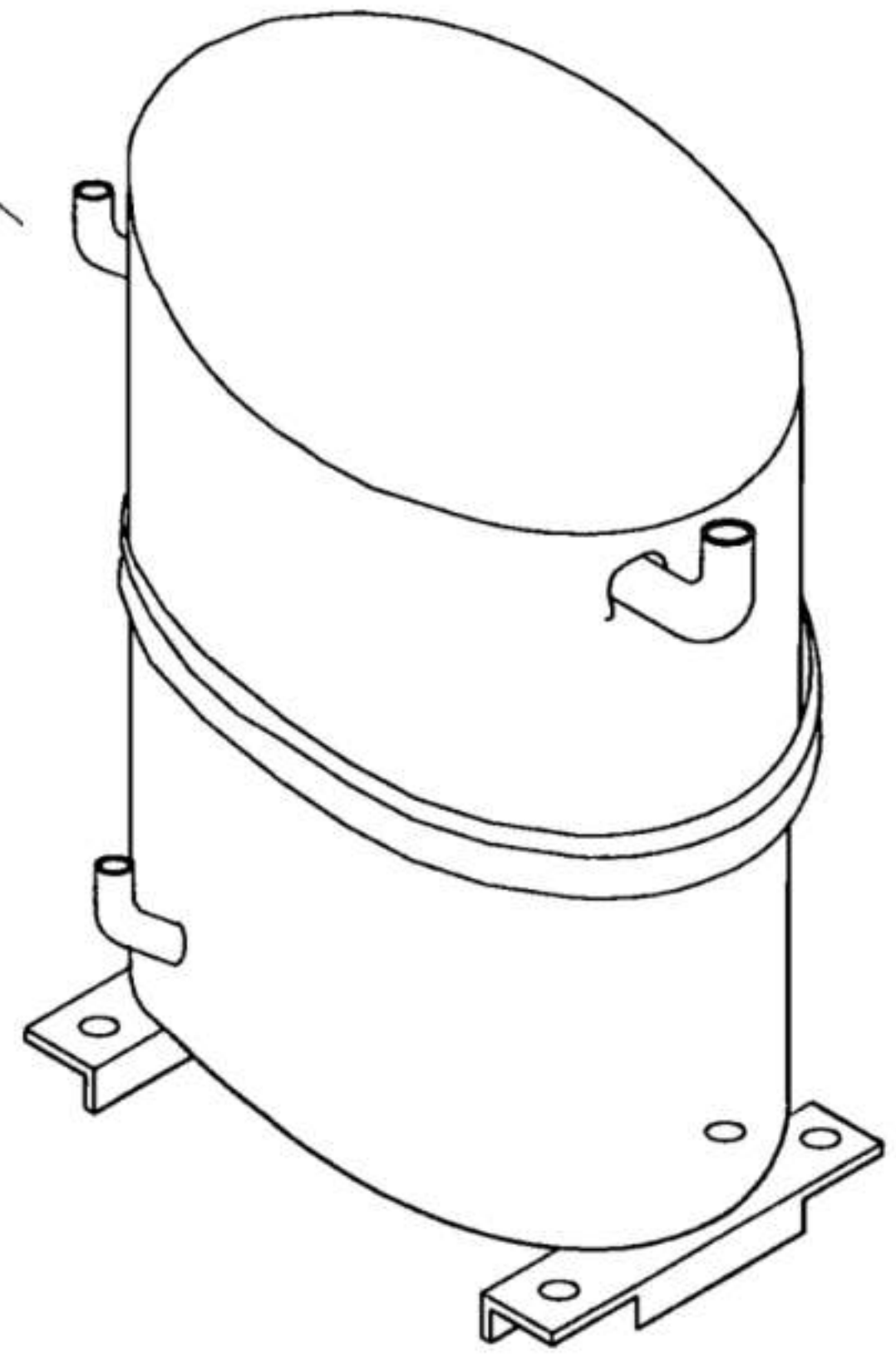
A=RECOMMENDED PARTS STOCKING-1 COMPONENT FOR EVERY 10 UNITS IN FIELD

B=RECOMMENDED PARTS STOCKING-1 COMPONENT FOR EVERY 25 UNITS IN FIELD

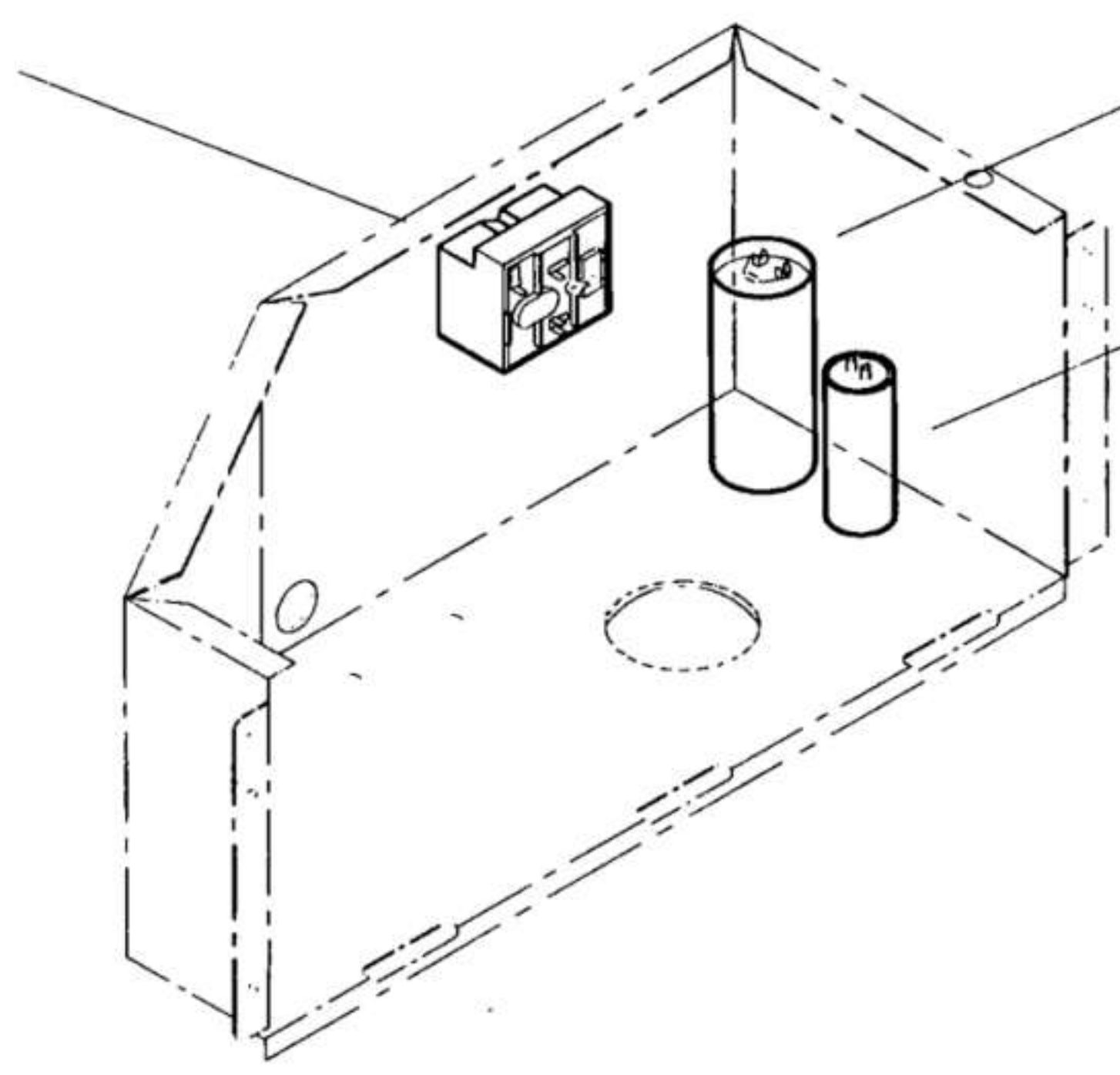




100

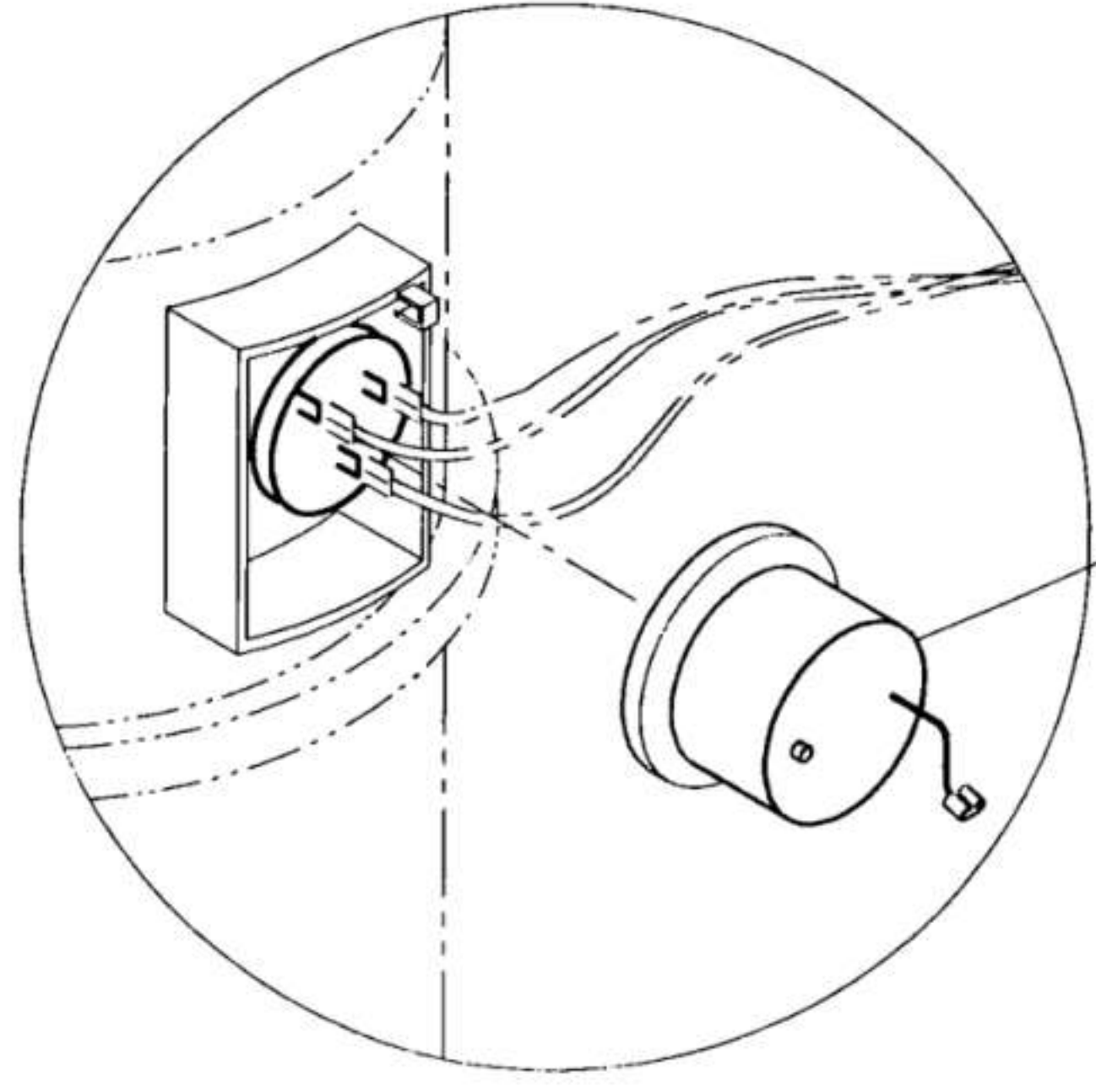


115



110

105



102

