



HOSHIZAKI

Parts Manual

Back Bar Equipment

Models

HBB-2-59

HBB-3-69

HBB-3-80

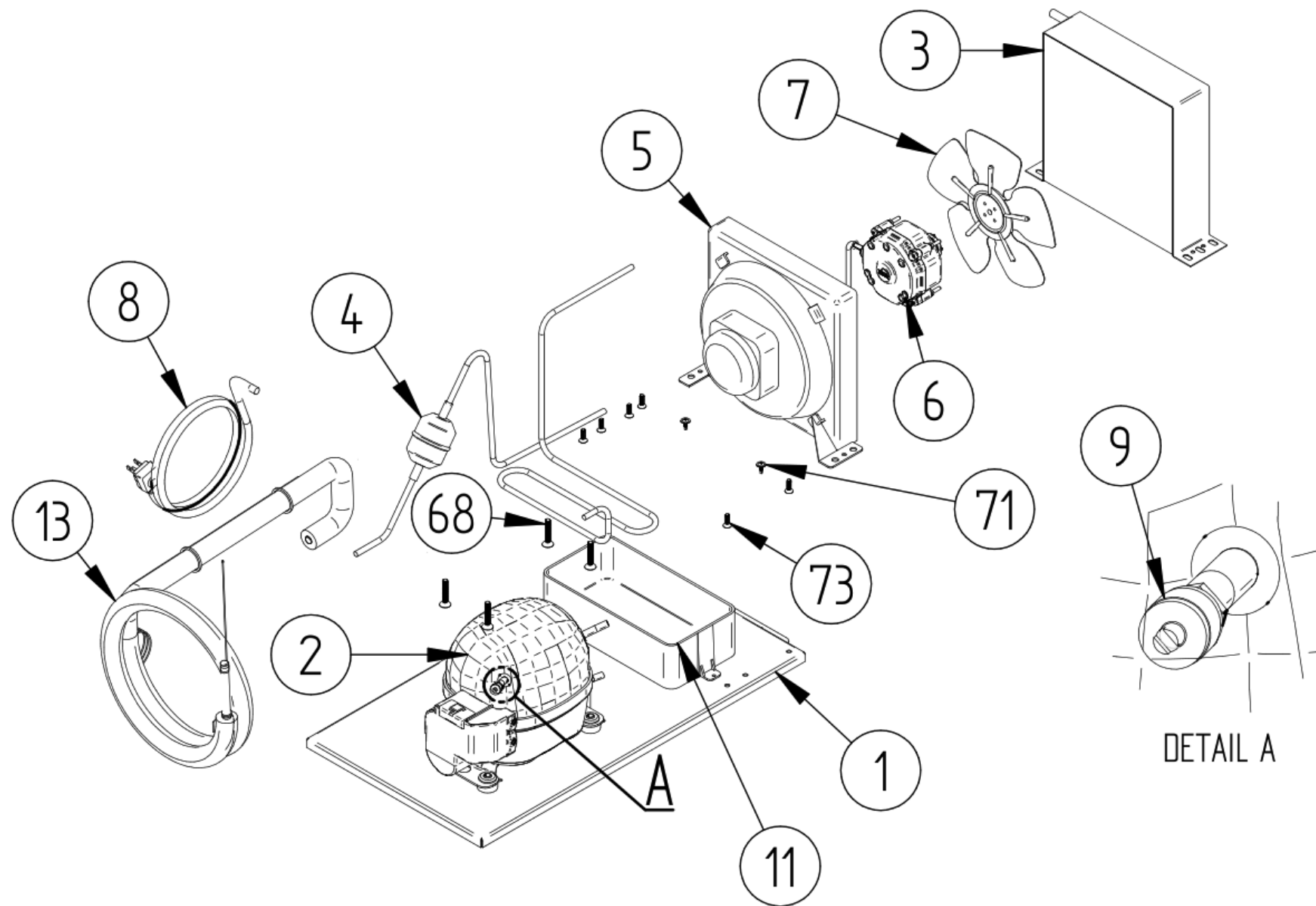
HBB-4-95

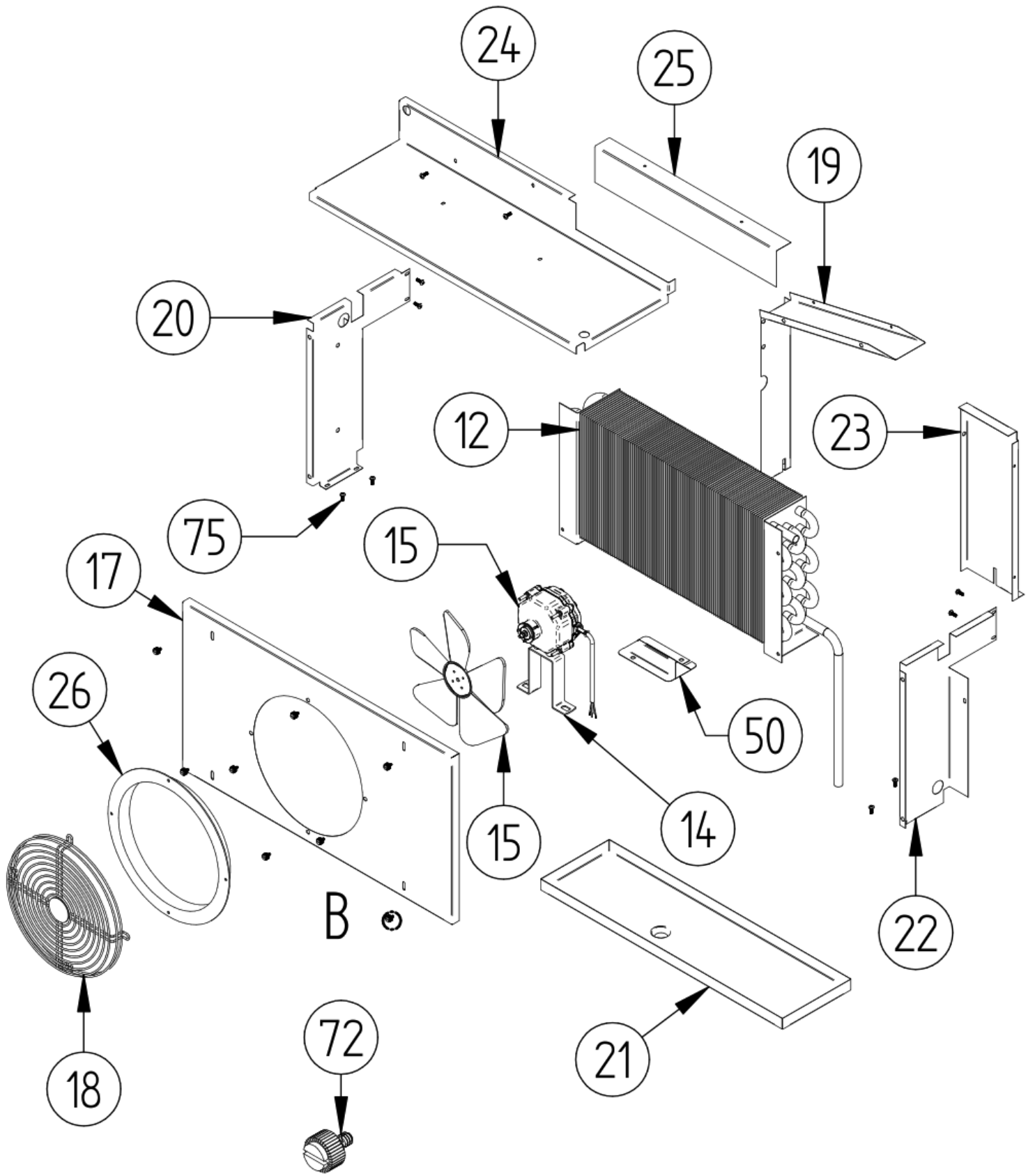
HBB-2G-LD-59

HBB-3G-LD-69

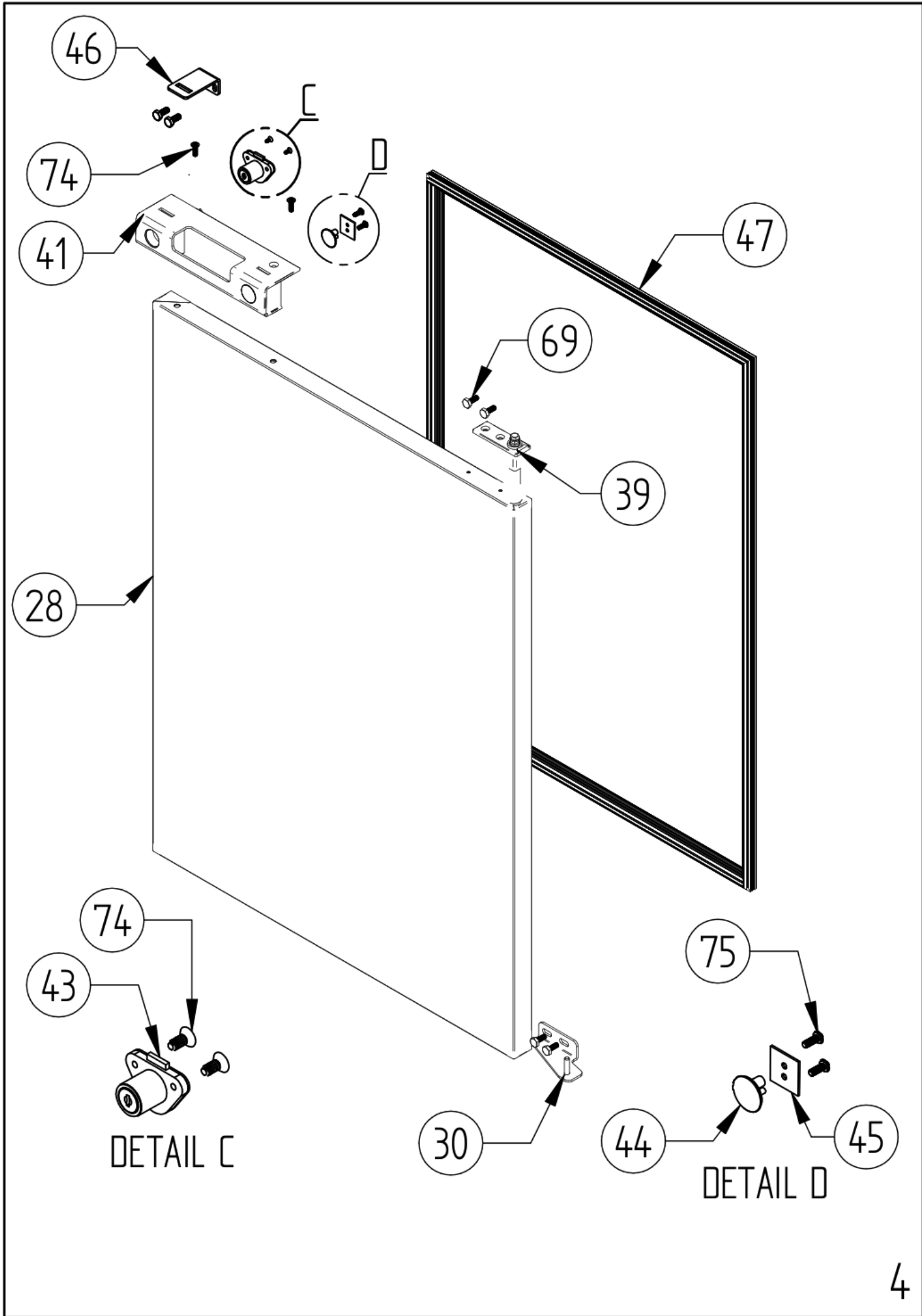
HBB-3G-LD-80

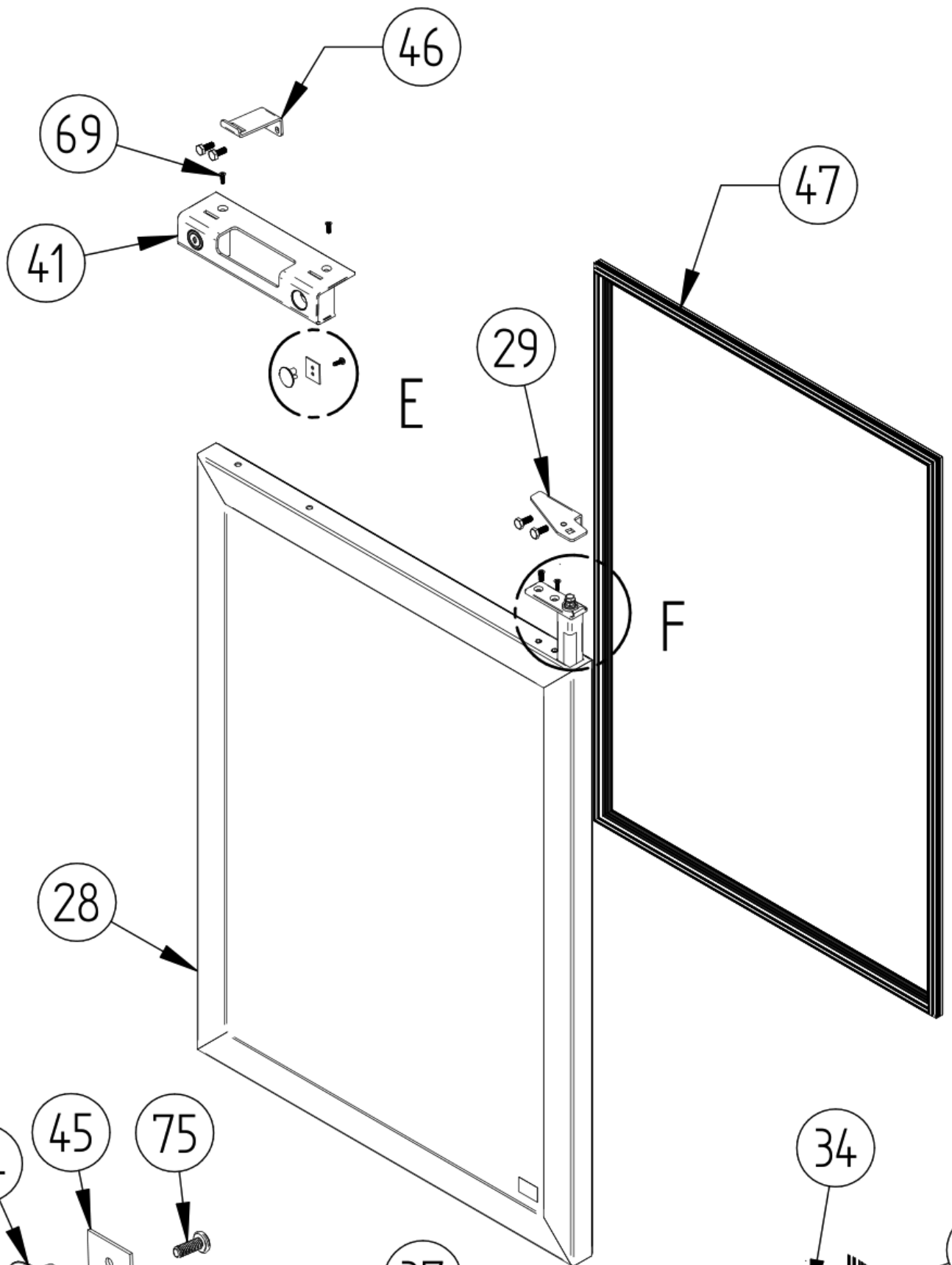
HBB-4G-LD-95





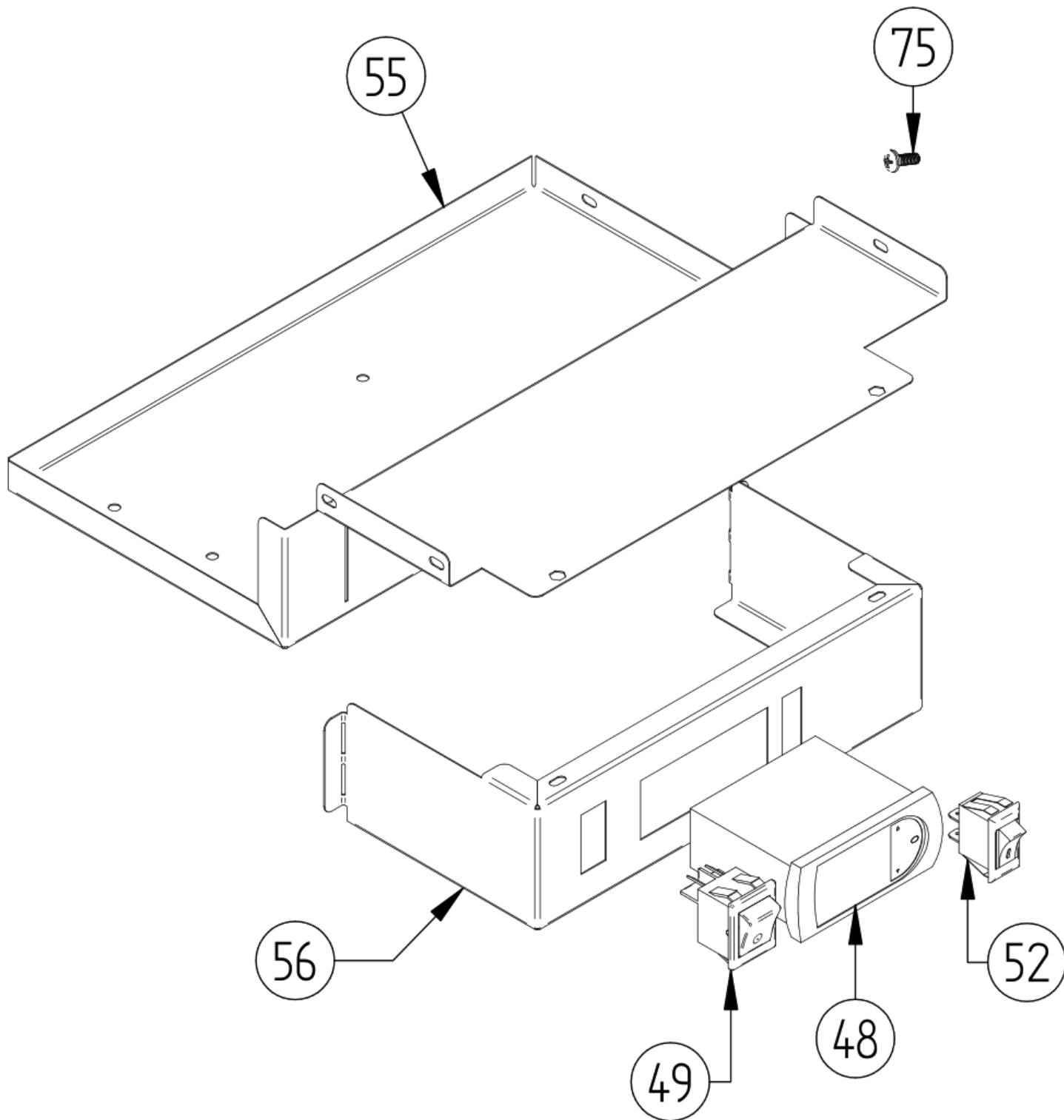
DETAIL B

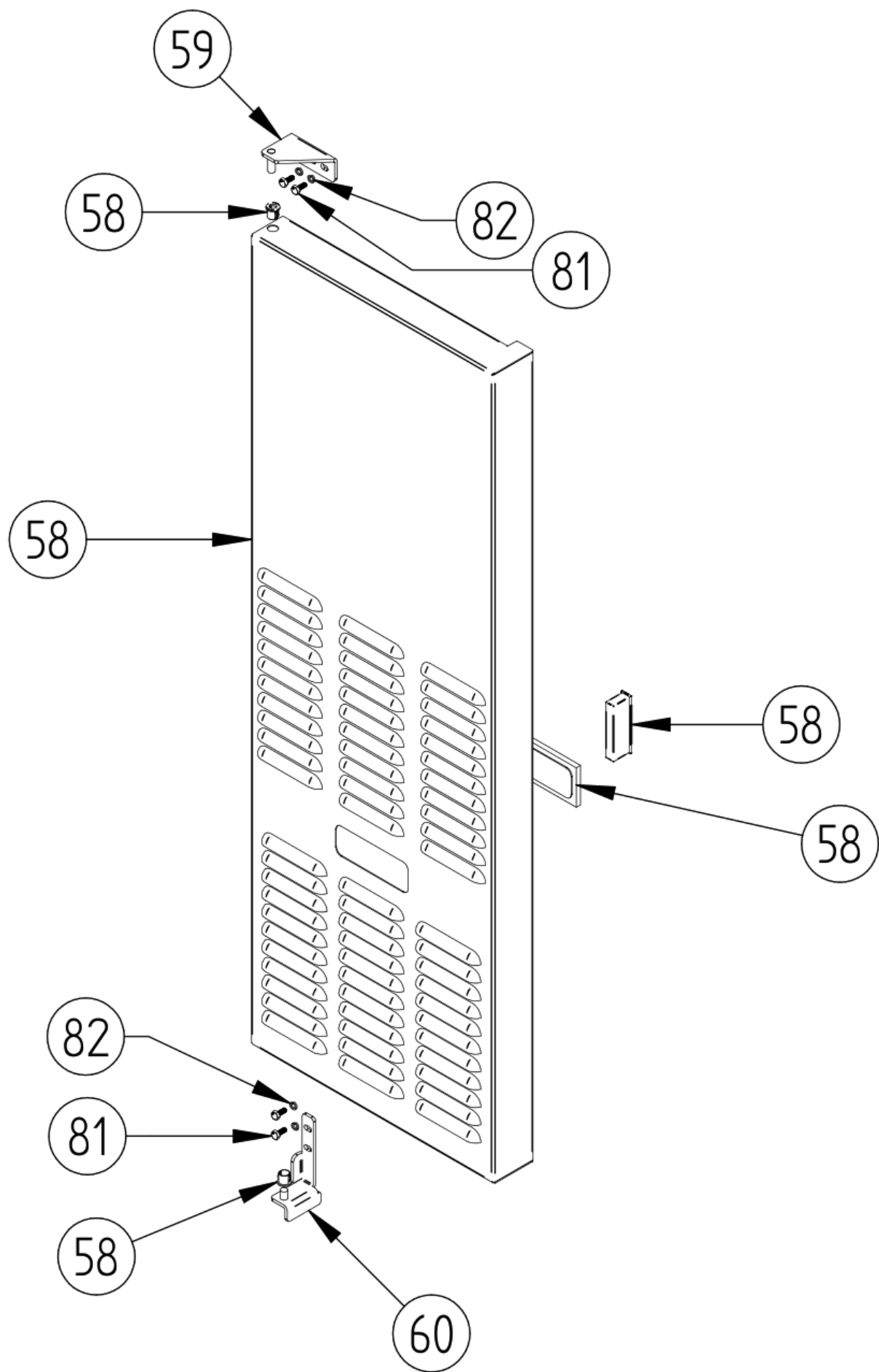


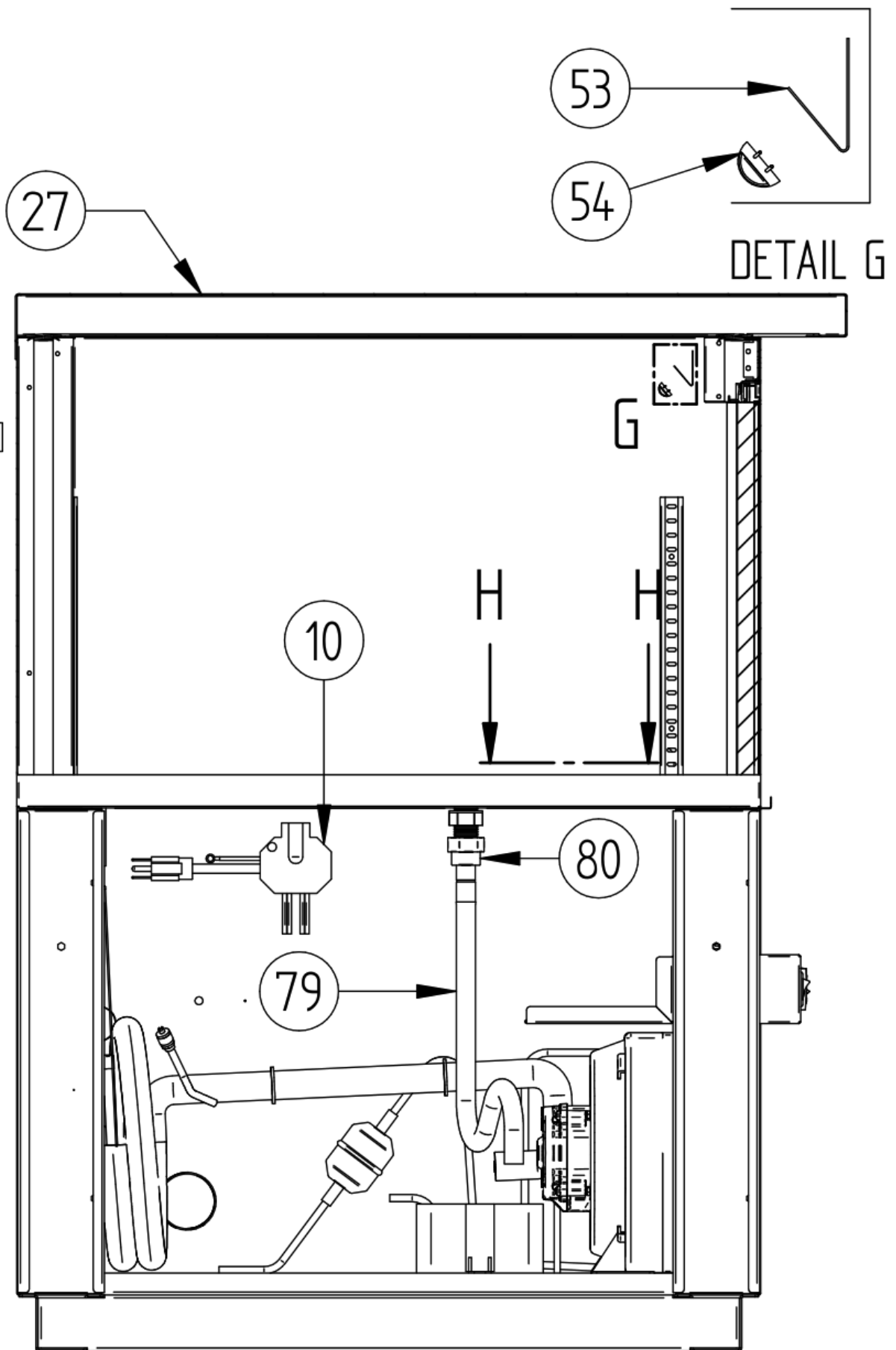


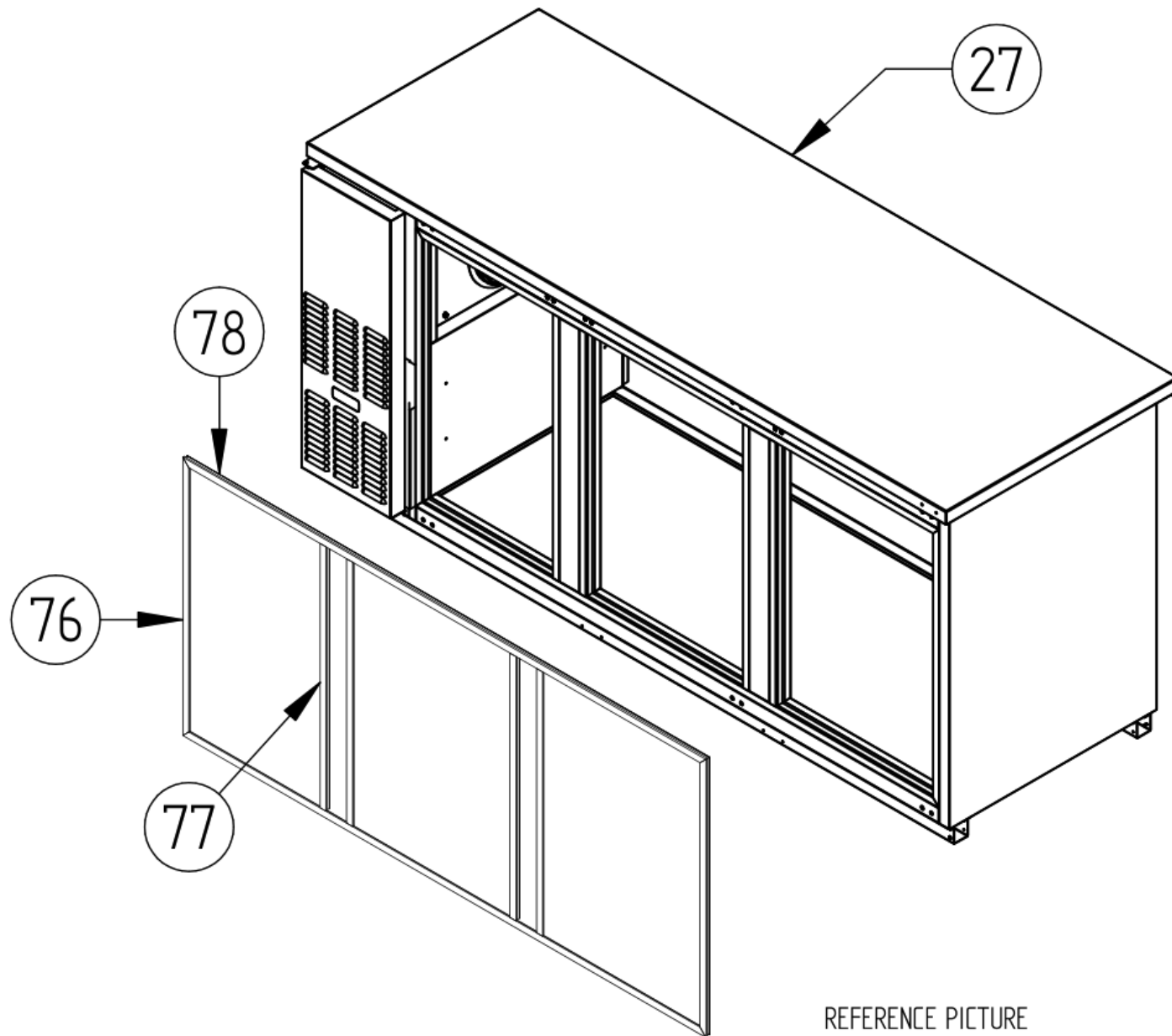
DETAIL E

DETAIL F

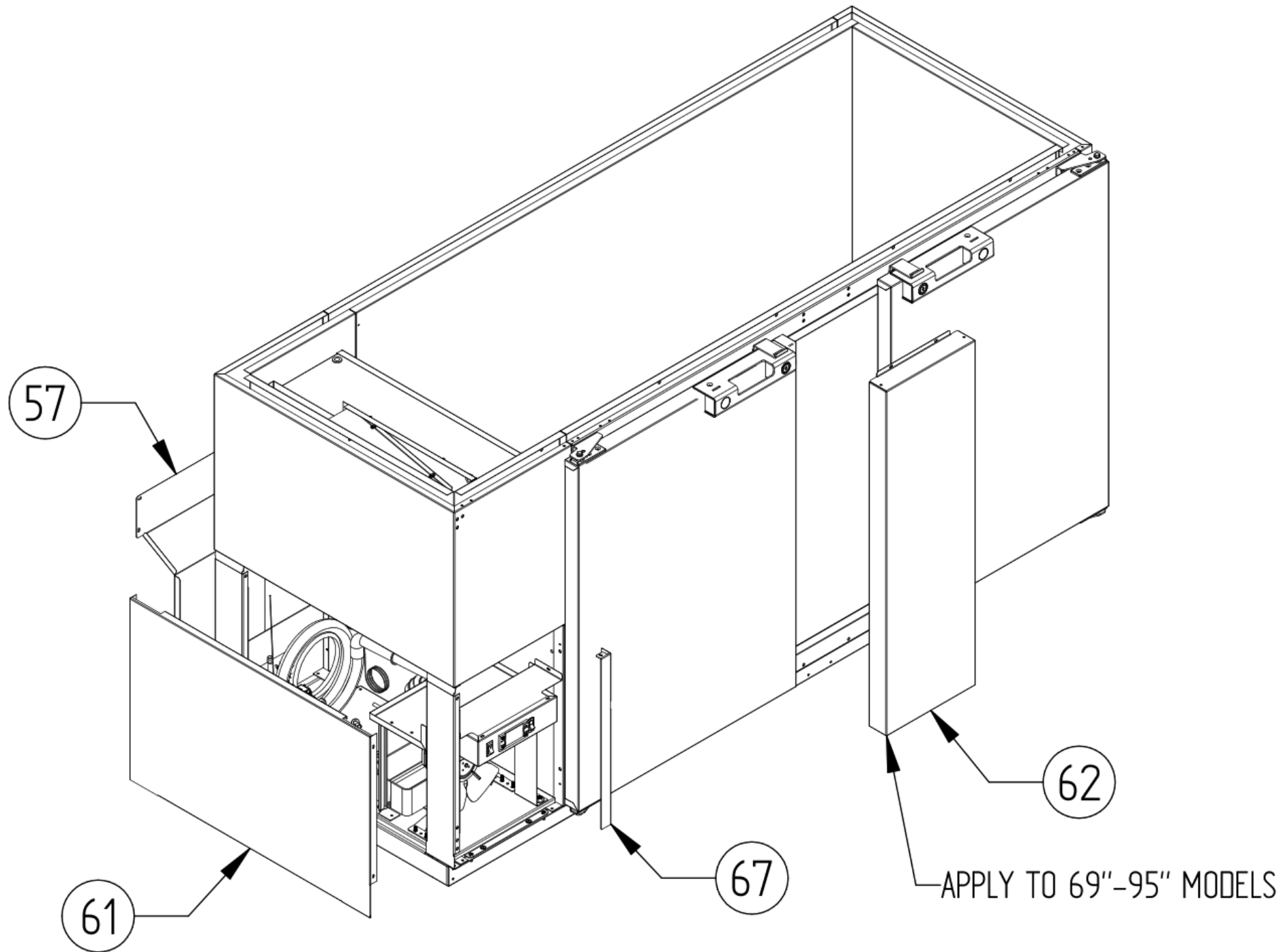


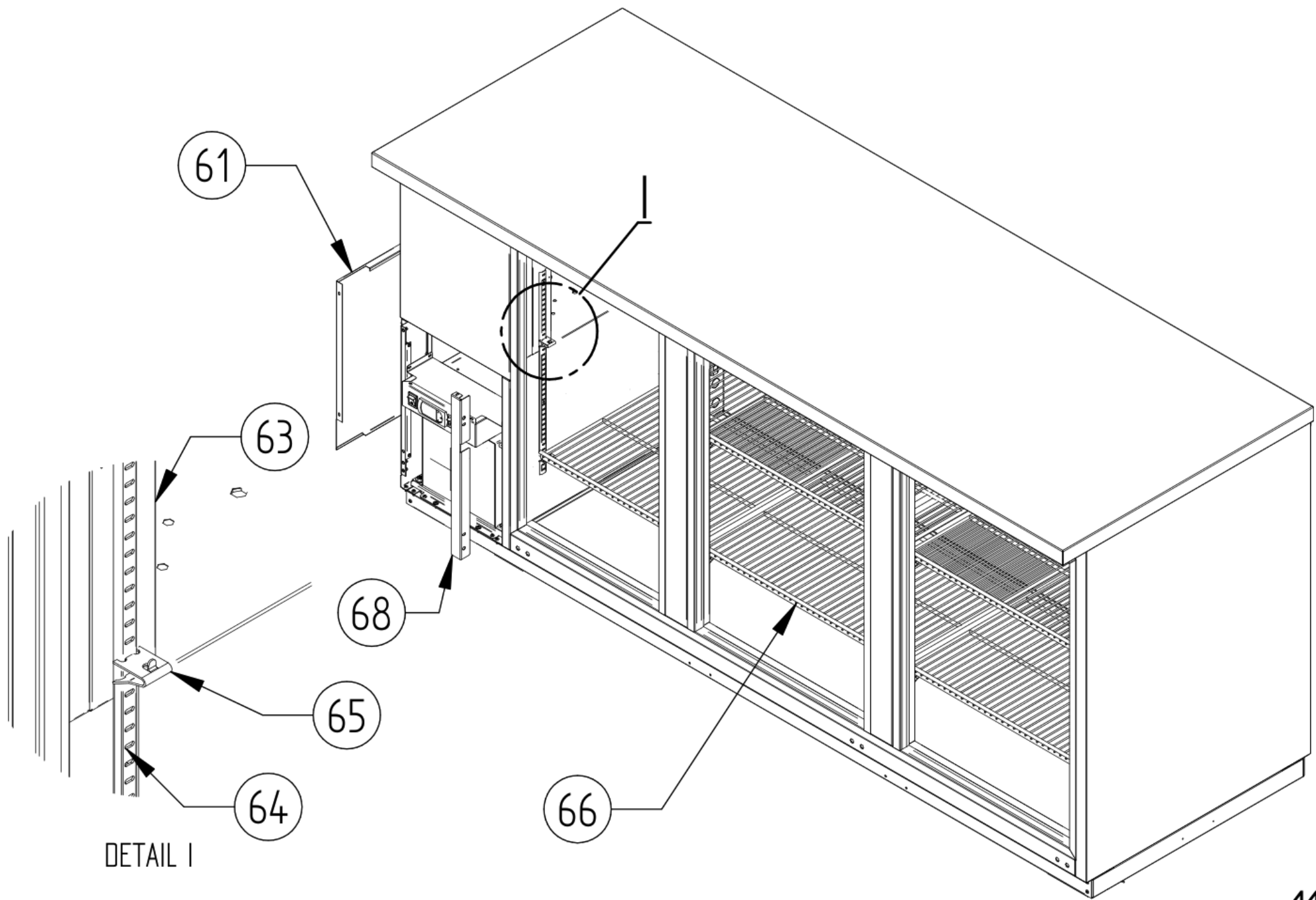






REFERENCE PICTURE





#ITEM	PART NUMBER	DESCRIPTION	HBB-2-59	HBB-2G-LD-59	HBB-3-69	HBB-3G-LD-69	HBB-3-80	HBB-4G-LD-80	HBB-4-95	HBB-3G-LD-95
Condensing Units										
CONDENSING UNIT										
1	12195862	DECK	1	1	1	1	1	1	1	1
2	12190495	Compresor FFI10HBX 115V	1	1	1	1	1	1	1	1
3	12190812	CONDENSER	1	1	1	1	1	1	1	1
4	12188004	DRIER	1	1	1	1	1	1	1	1
5	12189983	FAN SUPPORT	1	1	1	1	1	1	1	1
6	12190510	FAN	1	1	1	1	1	1	1	1
7	12190018	FAN BLADE 8-28	1	1	1	1	1	1	1	1
8	12190608	POWER CORD	1	1	1	1	1	1	1	1
9	12037369	ACCESS VALVE	1	1	1	1	1	1	1	1
10	12201656	POWER CORD (SPIDER HUB)	1	1	1	1	1	1	1	1
11	12189560	AUTOMATIC EVAPORATION TRAY	1	1	1	1	1	1	1	1
Evaporation Units										
EVAPORATION UNIT										
12	12190777	EVAPORATOR COIL	1	1	1	1	1	1	1	1
13	12190429	HEAT EXCHANGER	1	1	1	1	1	1	1	1
14	12191294	FAN SUPPORT	1	1	1	1	1	1	1	1
15	12190018	BLADE PLASTIC	1	1	1	1	1	1	1	1
16	12190510	FAN	1	1	1	1	1	1	1	1
17	12194193	EVAPORATOR PROTECTOR	1	1	1	1	1	1	1	1
18	12190728	FAN GRID	1	1	1	1	1	1	1	1
19	12194245	ANGULAR DEFLECTOR	1	1	1	1	1	1	1	1
20	12194247	DEFLECTOR LEFT	1	1	1	1	1	1	1	1
21	12193839	EVAPORATION TRAY	1	1	1	1	1	1	1	1
22	12194246	DEFLECTOR RIGHT	1	1	1	1	1	1	1	1
23	12194248	CLOUSURE	1	1	1	1	1	1	1	1
24	12194249	TOP COVER	1	1	1	1	1	1	1	1
25	12194250	TOP DEFLECTOR	1	1	1	1	1	1	1	1
26	12190068	GRID SUPPORT	1	1	1	1	1	1	1	1
Top										
	12204729	TOP ASSEMBLY 59	1	1						
	12204515	TOP ASSEMBLY 69			1	1				
27	12204514	TOP ASSEMBLY 79					1	1		
	12204513	TOP ASSEMBLY 95							1	1

#ITEM	PART NUMBER	DESCRIPTION	HBB-2-59	HBB-2G-LD-59	HBB-3-69	HBB-3G-LD-69	HBB-3-80	HBB-4G-LD-80	HBB-4-95	HBB-3G-LD-95
Doors & Others										
	12202917	RIGHT DOOR	1		1		2		2	
	12202918	LEFT DOOR	1		1				1	
28	12214347	LEFT DOOR					1			
	12203177	RIGHT DOOR		1		1		2		2
	12203178	LEFT DOOR		1		1				1
	12214348	LEFT DOOR						1		
RIGHT HINGE KIT										
29	12191308	TOP HINGE	1	1	1	1	2	2	2	2
30	12191306	BOTTOM HINGE	1	1	1	1	2	2	2	2
31	12190016	SPACER	1	1	1	1	2	2	2	2
32	12195539	WHASER	2	2	2	2	2	2	2	2
33	12195118	HINGE CARTRIDGE	1	1	1	1	2	2	2	2
34	12195119	STOP HINGE	1	1	1	1	2	2	2	2
LEFT HINGE KIT										
35	12191309	LEFT TOP HINGE	1	1	1	1	1	1	1	1
36	12191307	LEFT BOTTOM HINGE	1	1	1	1	1	1	1	1
37	12190016	SPACER	1	1	1	1	1	1	1	1
38	12195539	WHASER	2	2	2	2	2	2	2	2
39	12195118	HINGE CARTRIDGE	1	1	1	1	1	1	1	1
40	12195119	STOP HINGE	1	1	1	1	1	1	1	1
HANDLE KIT										
41	12202998	HANDLE RIGHT	1	1	1	1	2	2	2	2
	12202999	HANDLE LEFT	1	1	1	1	1	1	1	1
42	12211931	DOOR LOCK	2	2	2	2	3	3	3	3
43	12190887	LOCK	2	2	2	2	3	3	3	3
44	12211932	PLATE	2	2	2	2	3	3	3	3
45	12195809	SUPPORT PLATE	2	2	2	2	3	3	3	3
46	12195087	LOCK STOP	2	2	2	2	3	3	3	3
47	12191258	GASKET	2	2	2	2	2	2	3	3
	12191259	GASKET					1	1		

# ITEM	PART NUMBER	DESCRIPTION	HBB-2-59	HBB-2G-LD-59	HBB-3-69	HBB-3G-LD-69	HBB-3-80	HBB-4G-LD-80	HBB-4-95	HBB-3G-LD-95
Controllers & Other										
48	12188079	CAREL CONTROLLER	1	1	1	1	1	1	1	1
49	12190513	ROCKER SWITCH 20AMP	1	1	1	1	1	1	1	1
50	12188080	PROBE NTC030HP00 CAREL	1	1	1	1	1	1	1	1
51	12190580	DRIVER LED	1	1	1	1	1	1	1	1
52	12037293	LIGHT SWITCH	1	1	1	1	1	1	1	1
53	12194279	LAMP SUPPORT	1	1	1	1				
	12194278	LAMP SUPPORT					1	1	1	1
54	12190586	LED LIGHT	1	1	1	1				
	12190587	LED LIGHT					1	1	1	1
55	12195870	CONTROLLER DEFLECTOR	1	1	1	1	1	1	1	1
56	12195871	CONTROLLER SUPPORT	1	1	1	1	1	1	1	1
Panels										
57	12195836	BACK PANEL	1	1	1	1	1	1	1	1
58	12218964	CONDENSING DOOR	1	1	1	1	1	1	1	1
	12190968	CATCH MAG DOOR	1	1	1	1	1	1	1	1
	12191187	ACRY LIC LENS	1	1	1	1	1	1	1	1
	12213300	SNAP BUSHING	2	2	2	2	2	2	2	2
	12216175	TOP HINGE	1	1	1	1	1	1	1	1
60	12216178	BOTTOM HINGE	1	1	1	1	1	1	1	1
61	12206608	PANEL SIDE	1	1	1	1	1	1	1	1
62	12206614	DOORS PANEL			1					
	12206609	DOORS PANEL							2	
Shelves										
63	12206325	PILASTER SUPPORT	1	1	1	1	1	1	1	1
64	12190900	PILASTER 20.2"	8	8	8	8	12	12	12	12
65	12188096	SS CLIP	16	16	16	16	24	24	24	24
66	12190688	FLAT RACK FOR 59-80	4	4			2	2		
	12190691	FLAT RACK FOR 69-95			4	4			6	6
	12190689	FLAT RACK FOR 80 CENTER					2	2		
	12190690	FLAT RACK FOR 80 LEFT					2	2		

# ITEM	PART NUMBER	DESCRIPTION	HBB-2-59	HBB-2G-LD-59	HBB-3-69	HBB-3G-LD-69	HBB-3-80	HBB-4G-LD-80	HBB-4-95	HBB-3G-LD-95
Other										
67	12190891	RIGHT LIGHT TRIM	1	1	1	1	1	1	1	1
68	12191519	SCREW 6x35	4	4	4	4	4	4	4	4
69	12189583	SCREW M6x16	8	8	8	8	8	8	8	8
70	12191523	SCREW M5x08	2	2	2	2	2	2	2	2
71	12191506	SCREW DRILL	4	4	4	4	4	4	4	4
72	12189959	PLASTIC SCREW	22	22	22	22	22	22	22	22
73	12191518	SCREW ALLEN 6X16	6	6	6	6	6	6	6	6
74	12191589	SCREW AVEL PHI 10-32-5/8	2	2	2	2	2	2	2	2
75	12213605	SCREW M4x25 INOX	16	16	16	16	16	16	16	16
81	12191559	SCREW M4x10 HEAD HEX SS	4	4	4	4	4	4	4	4
82	12191540	GROWER WASHER M4	4	4	4	4	4	4	4	4
Plastic Frame										
	12200483	SIDE STRIP	2	2						
76	12200484	SIDE STRIP			2	2				
	12200485	SIDE STRIP					2	2		
	12200486	SIDE STRIP							2	2
77	12200487	CENTRAL STRIP	2	2	2	2	2	2	4	4
78	12200510	TOP STRIP	2	2	2	2	2	2	2	2
Drain										
79	12205328	DRAIN HOSE	1	1	1	1	1	1	1	1
80	12190069	ADAPTER HOSE COUPLING	1	1	1	1	1	1	1	1

HOSHIZAKI AMERICA, INC.

618 Hwy. 74 South, Peachtree City, GA 30269 USA (P) 770.487.2331 (F) 770.487.3360 hoshizakiamerica.com