



HOSHIZAKI

Parts Manual

Bottle Cooler Equipment

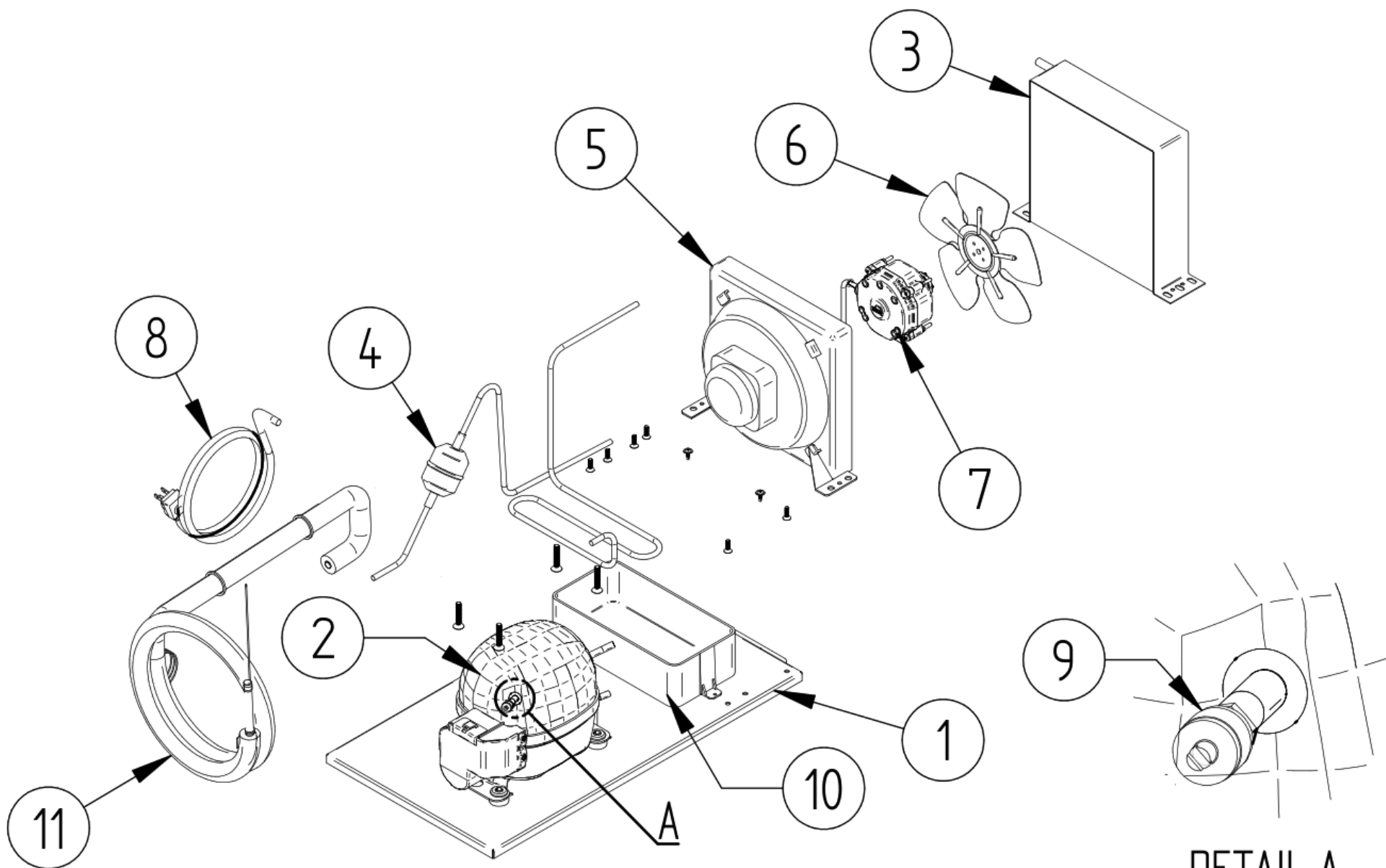
Models

HBC-50

HBC-65

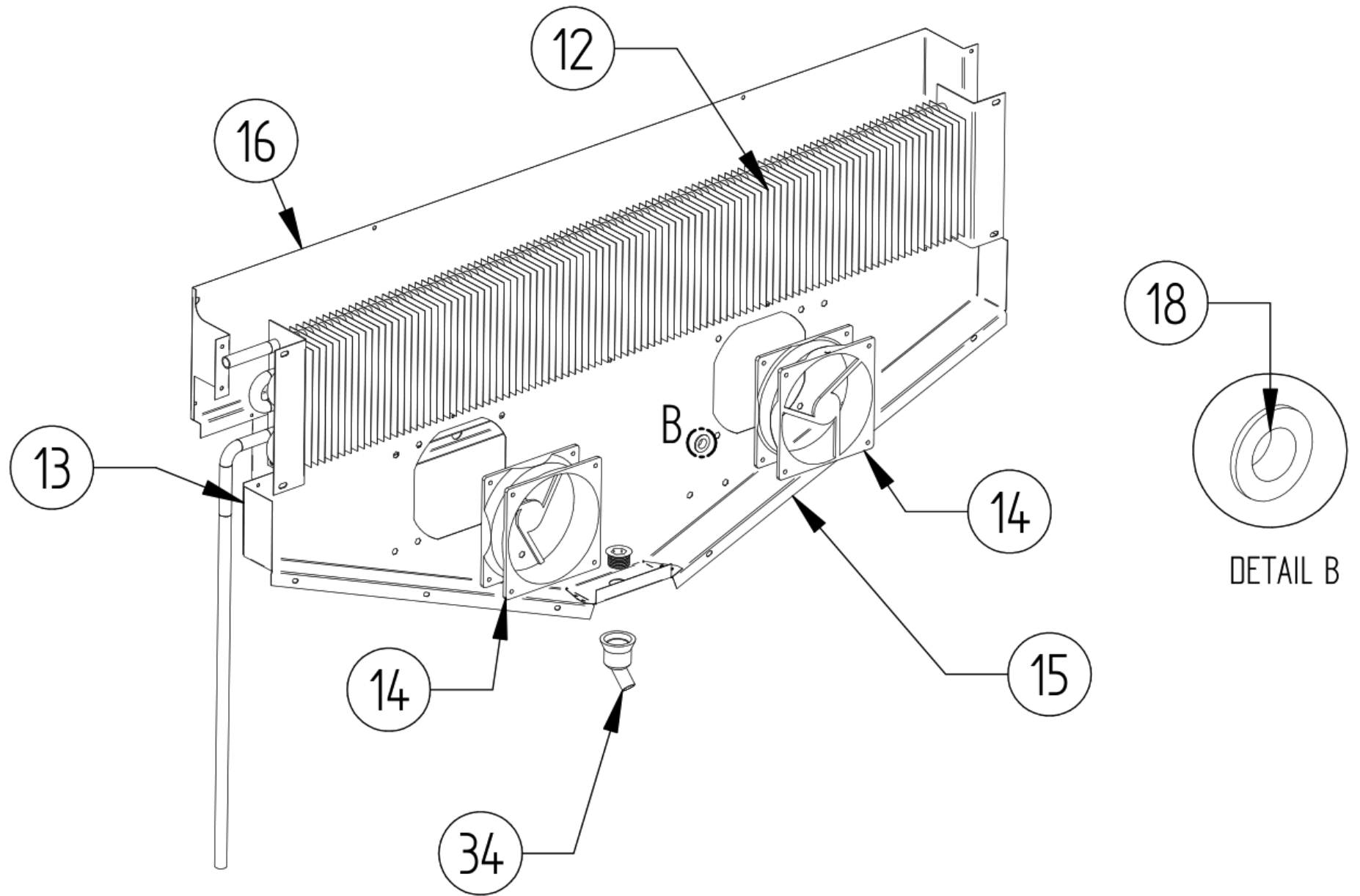
HBC-80

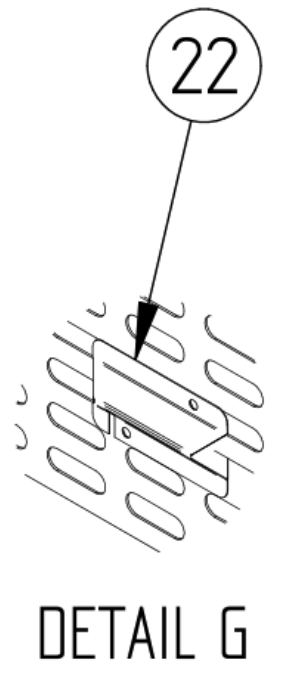
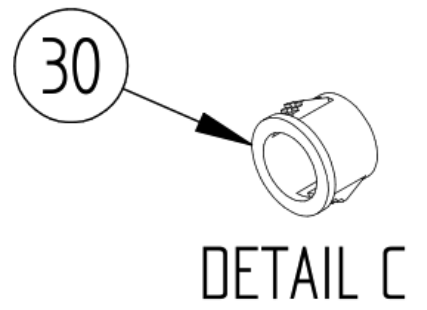
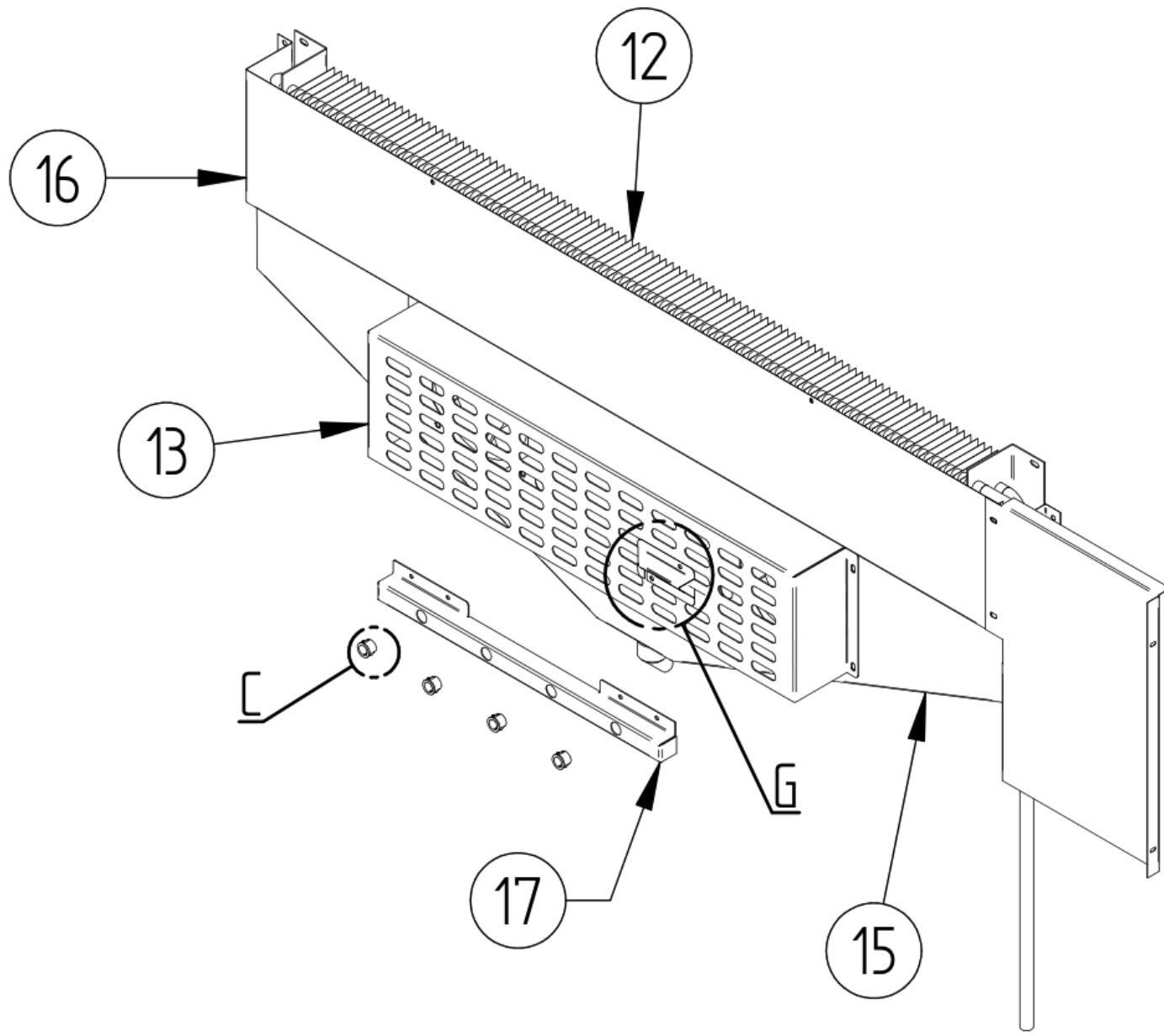
HBC-95

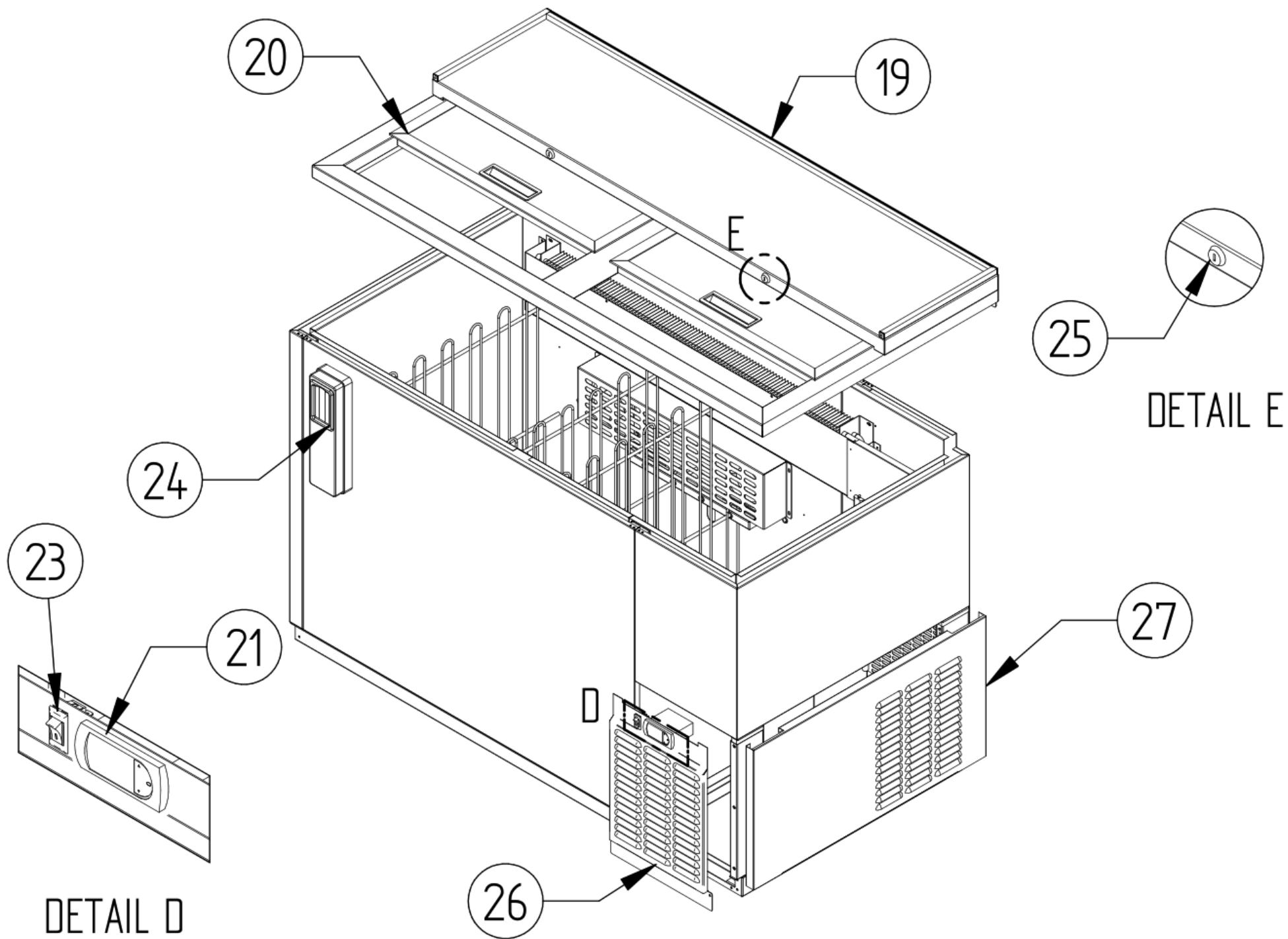


REFERENCE PICTURE

DETAIL A

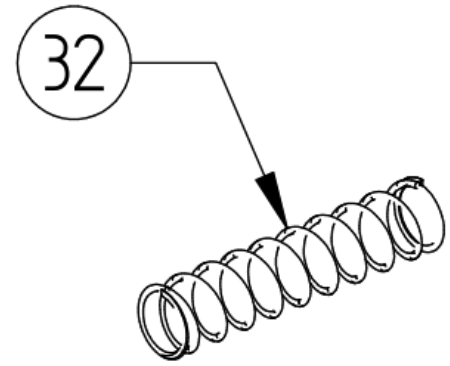
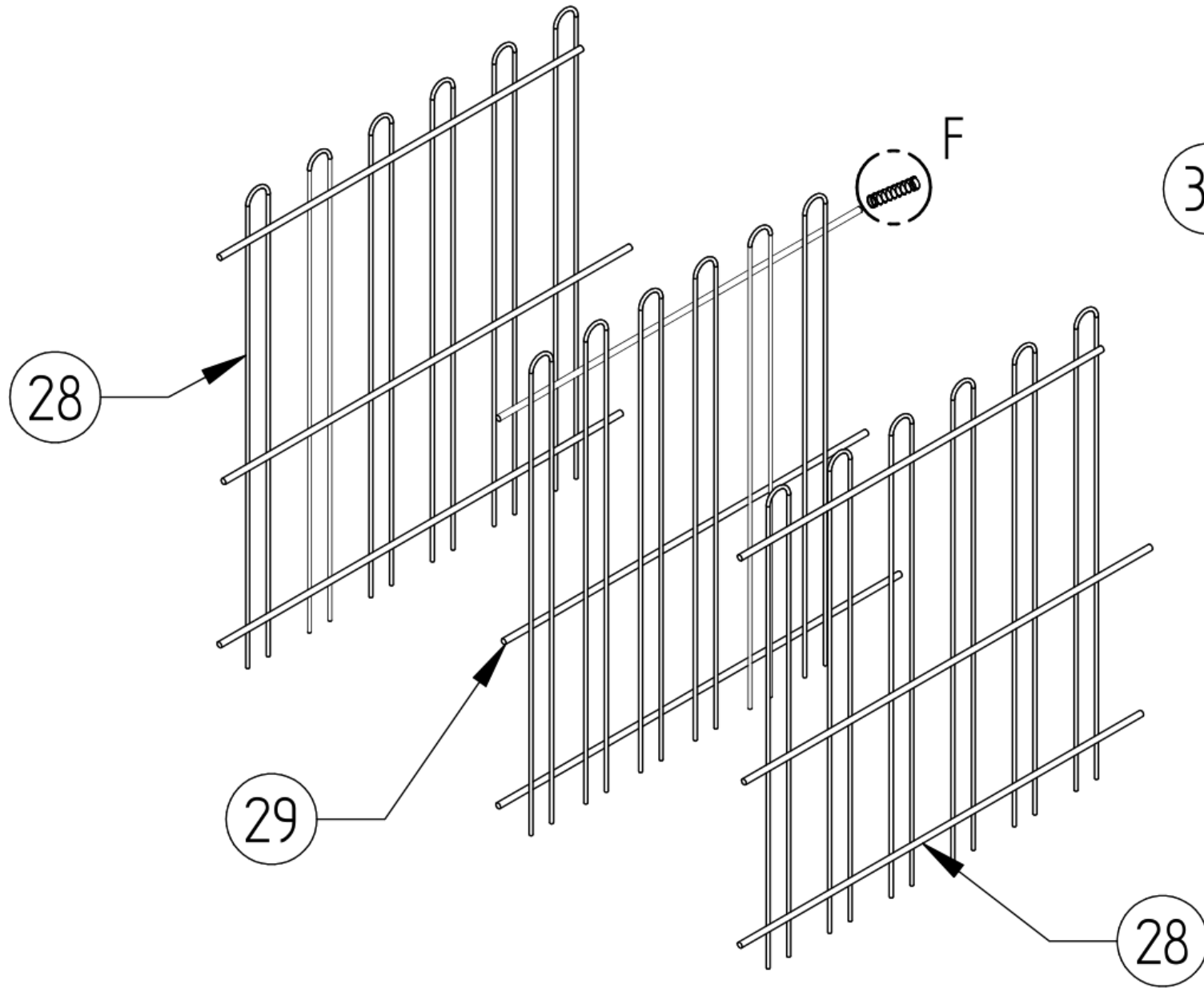




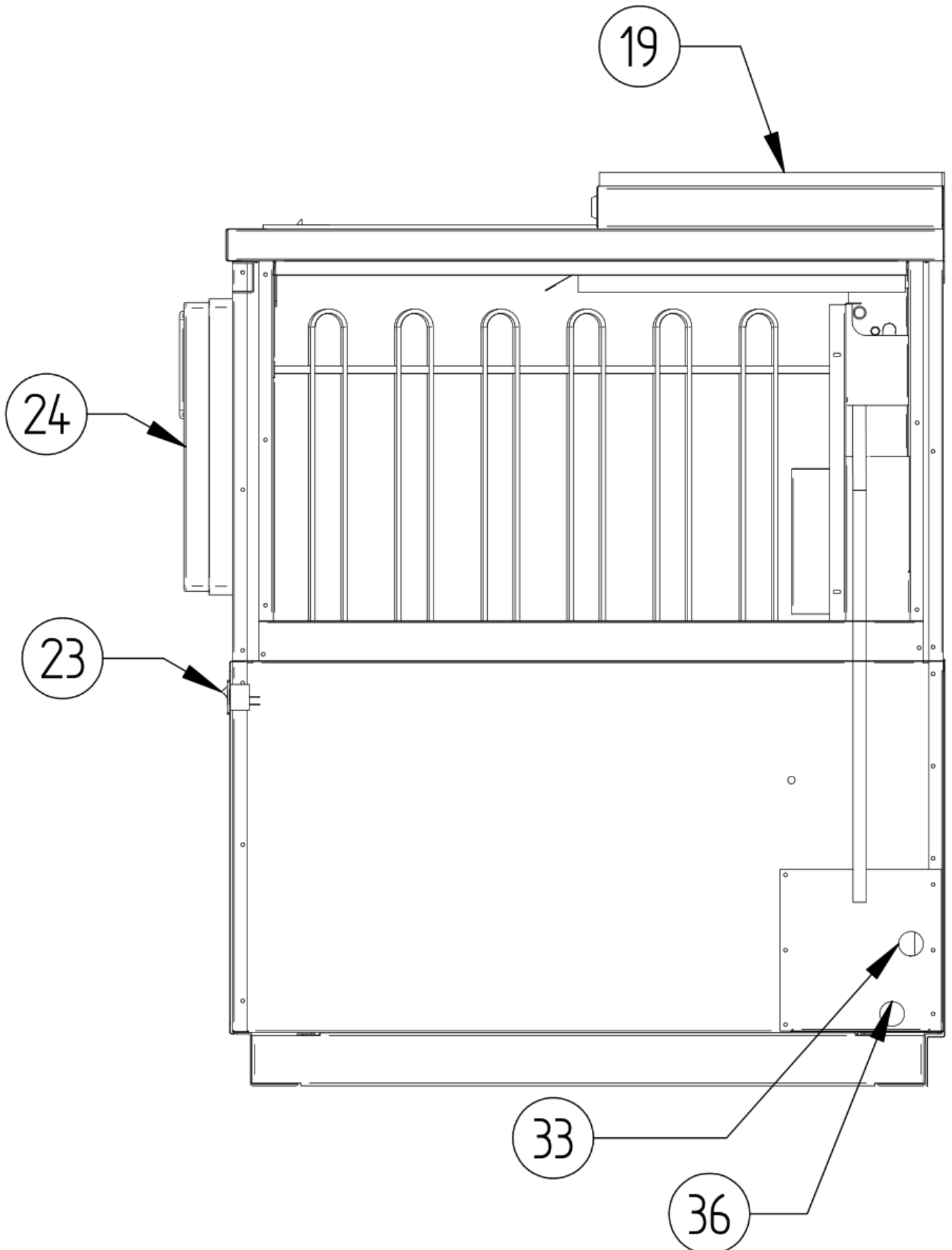


DETAIL D

DETAIL E



DETAIL F



| # ITEM | PART NUMBER | DESCRIPTION | HBC-50 | HBC-65 | HBC-80 | HBC-95 |
|--------------------------|-------------|-------------------------|--------|--------|--------|--------|
| Condensing Units | | | | | | |
| CONDENSING UNIT | | | | | | |
| 1 | 12195746 | DECK | 1 | 1 | 1 | 1 |
| 2 | 12190505 | COMPRESSOR 115V | 1 | 1 | 1 | 1 |
| | 12213604 | START KIT | 1 | 1 | 1 | 1 |
| 3 | 12190809 | CONDENSER | 1 | 1 | 1 | 1 |
| 4 | 12188004 | FILTER | 1 | 1 | 1 | 1 |
| 5 | 12206487 | FAN SUPPORT | 1 | 1 | 1 | 1 |
| 6 | 12190018 | FAN BLADE | 1 | 1 | 1 | 1 |
| 7 | 12190510 | FAN | 1 | 1 | 1 | 1 |
| 8 | 12200626 | POWER CORD (SPIDER HUB) | 1 | 1 | 1 | 1 |
| 9 | 12037369 | SERVICE VALVE | 1 | 1 | 1 | 1 |
| 10 | 12189560 | AUTOMATIC DRAIN PAN | 1 | 1 | 1 | 1 |
| 11 | 12190429 | HEAT EXCHANGER | 1 | 1 | 1 | 1 |
| Evaporation Units | | | | | | |
| EVAPORATION UNIT | | | | | | |
| 12 | 12190774 | EVAPORATOR COIL | 1 | | | |
| 13 | 12195455 | FAN GRID | 1 | | | |
| 14 | 12191476 | FAN | 2 | | | |
| 15 | 12195489 | EVAPORATION TRAY | 1 | | | |
| 16 | 12195488 | EVAPORATOR PROTECTOR | 1 | | | |
| 17 | 12195456 | GRID SUPPORT | 1 | | | |
| 18 | 12189570 | GROMMET | 1 | | | |
| EVAPORATION UNIT | | | | | | |
| 12 | 12190778 | EVAPORATOR COIL | | 1 | 1 | 1 |
| 13 | 12195455 | FAN GRID | | 1 | 1 | 1 |
| 14 | 12191476 | FAN | | 2 | 2 | 2 |
| 15 | 12195457 | EVAPORATION TRAY | | 1 | 1 | 1 |
| 16 | 12195453 | EVAPORATOR PROTECTOR | | 1 | 1 | 1 |
| 17 | 12195456 | GRID SUPPORT | | 1 | 1 | 1 |
| 18 | 12189570 | GROMMET | | 1 | 1 | 1 |

| # ITEM | PART NUMBER | DESCRIPTION | HBC-50 | HBC-65 | HBC-80 | HBC-95 |
|--------------------------------|-------------|------------------------|--------|--------|--------|--------|
| Top | | | | | | |
| 19 | 12204731 | TOP 50" | 1 | | | |
| | 12204732 | TOP 65" | | 1 | | |
| | 12204733 | TOP 79" | | | 1 | |
| | 12201959 | TOP 95" | | | | 1 |
| Doors & Others | | | | | | |
| 20 | 12201950 | DOOR 50" | 2 | | | |
| | 12202711 | DOOR 65" | | 2 | | |
| | 12202716 | DOOR 79" | | | 3 | |
| | 12202692 | DOOR 95" | | | | 3 |
| Controllers & Other | | | | | | |
| 21 | 12188079 | CAREL CONTROLLER | 1 | 1 | 1 | 1 |
| 22 | 12188080 | PROBE NTC030HP00 CAREL | 1 | 1 | 1 | 1 |
| 23 | 12190513 | ROCKET SWITCH | 1 | 1 | 1 | 1 |
| Accessories | | | | | | |
| 24 | 12190077 | CAP CATCHER | 1 | 1 | 1 | 1 |
| 25 | 12190864 | LOCK | 2 | 2 | 3 | 3 |
| | 12194900 | LOCK PIN | 2 | 2 | 3 | 3 |
| Panels | | | | | | |
| 26 | 12196199 | FRONTAL PANEL | 1 | 1 | 1 | 1 |
| 27 | 12196171 | SIDE PANEL | 1 | 1 | 1 | 1 |
| Grids | | | | | | |
| 28 | 12190664 | LEFT/RIGHT GRID | 2 | 3 | 6 | 6 |
| 29 | 12190665 | CENTRAL GRID | 1 | 1 | 1 | 1 |
| 30 | 12189964 | PLASTIC GROMMET | 30 | 45 | 60 | 72 |
| 31 | 12190644 | SPRING | 3 | 4 | 7 | 7 |
| Drain | | | | | | |
| 32 | 12189597 | DRAIN HOSE | 2.4 | 2.6 | 2.8 | 2.9 |
| 33 | 12190460 | COUPLE FITTING | 1 | 1 | 1 | 1 |
| 34 | 12191224 | DRAIN | 2 | 2 | 2 | 2 |
| 35 | 12189956 | PLASTIC SEAL | 2 | 2 | 2 | 2 |
| 36 | 12190036 | GROMMET | 2 | 2 | 2 | 2 |

HOSHIZAKI AMERICA, INC.

618 Hwy. 74 South, Peachtree City, GA 30269 USA (P) 770.487.2331 (F) 770.487.3360 hoshizakiamerica.com