



HOSHIZAKI

Parts Manual

Direct Draw Equipment

Models

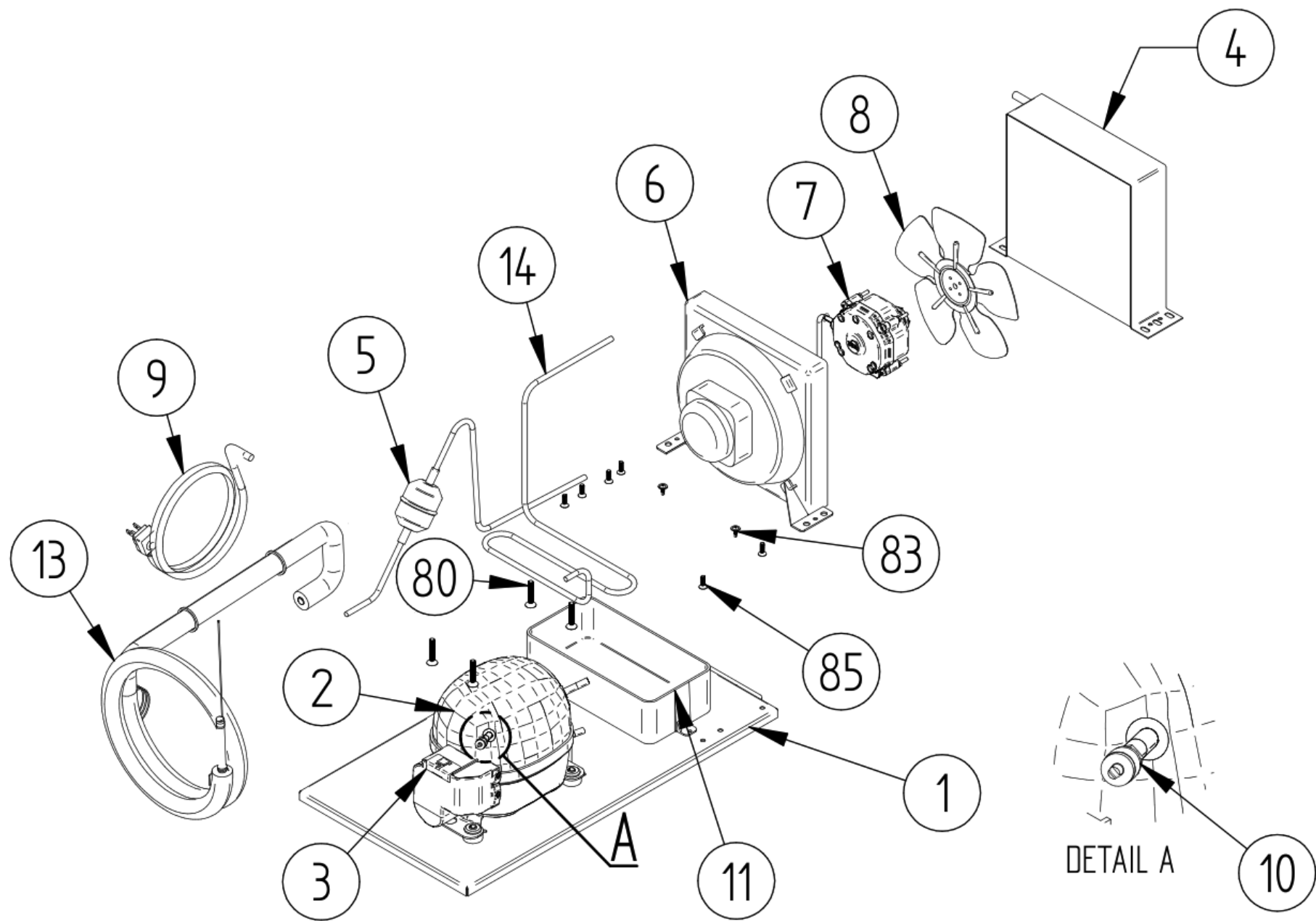
HDD-1-24

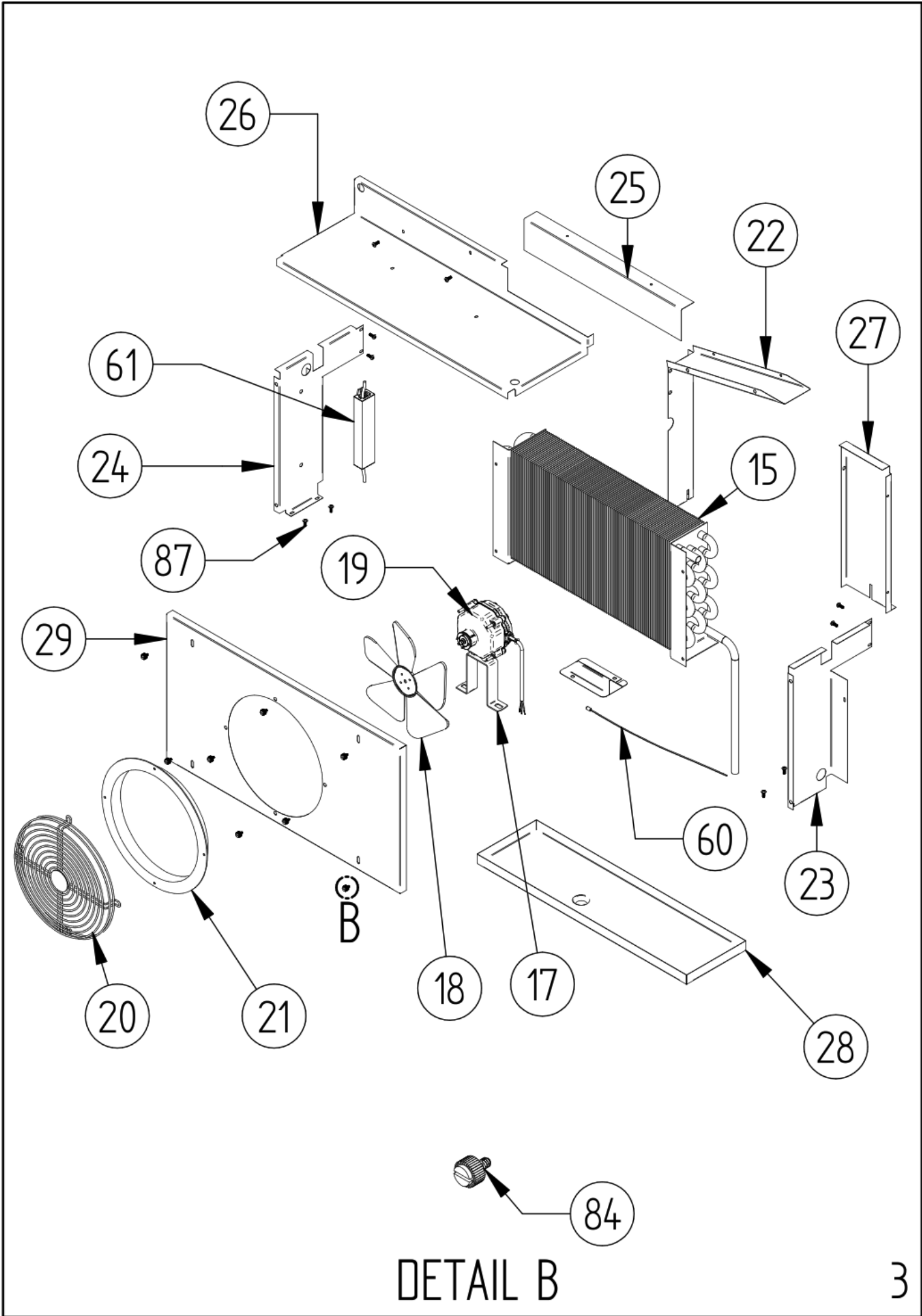
HDD-2-59

HDD-3-69

HDD-3-80

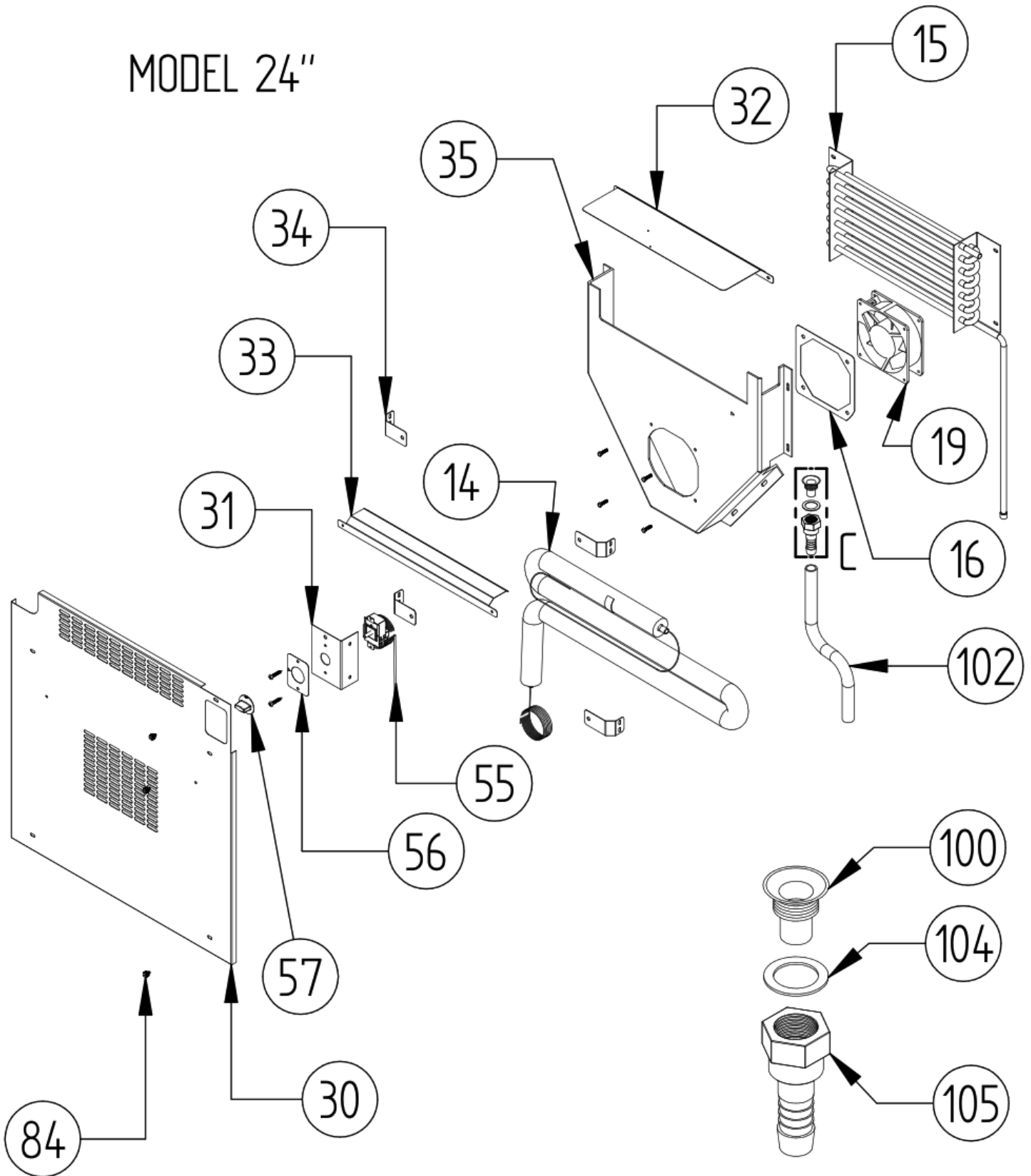
HDD-4-95



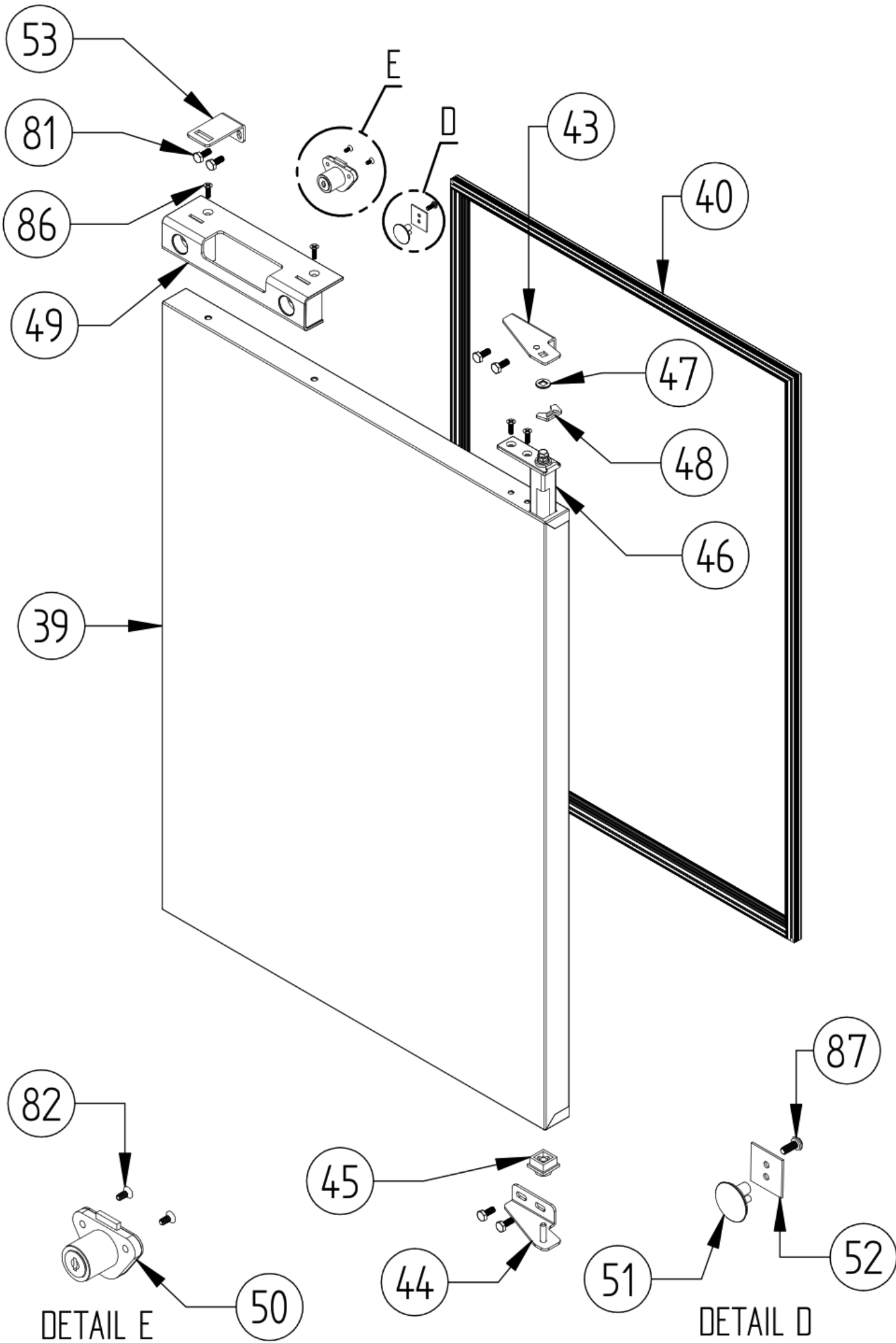


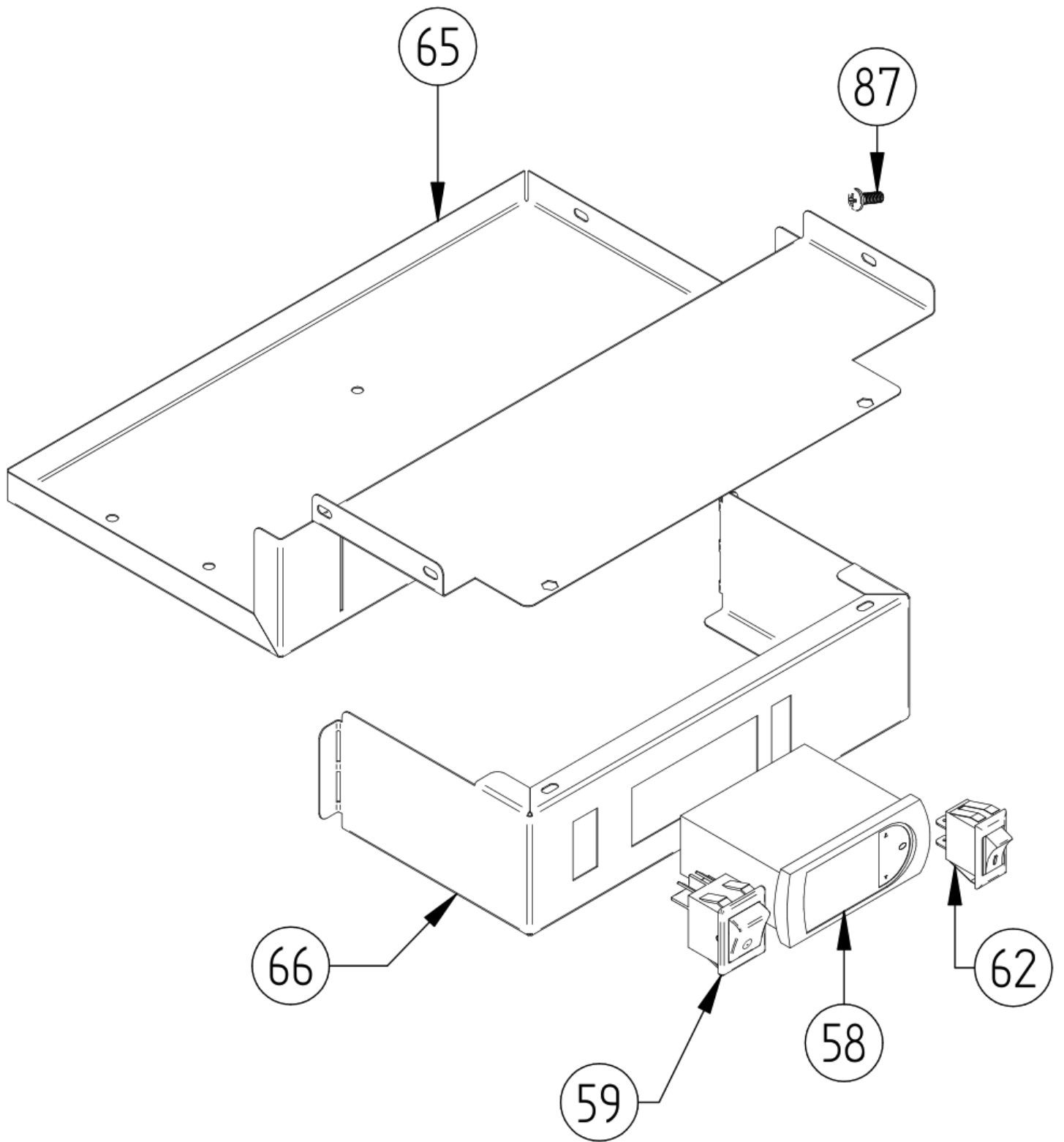
DETAIL B

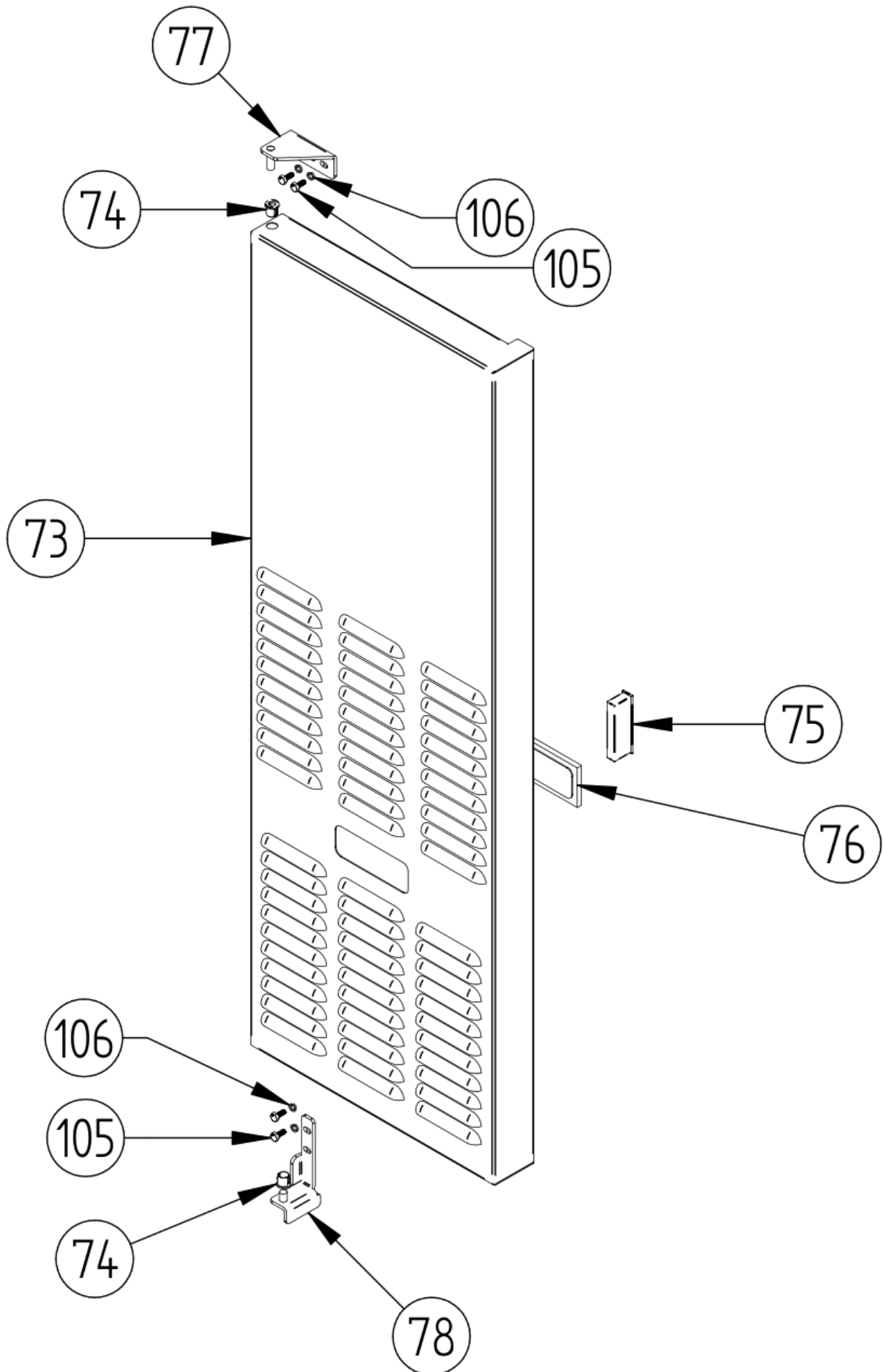
MODEL 24"

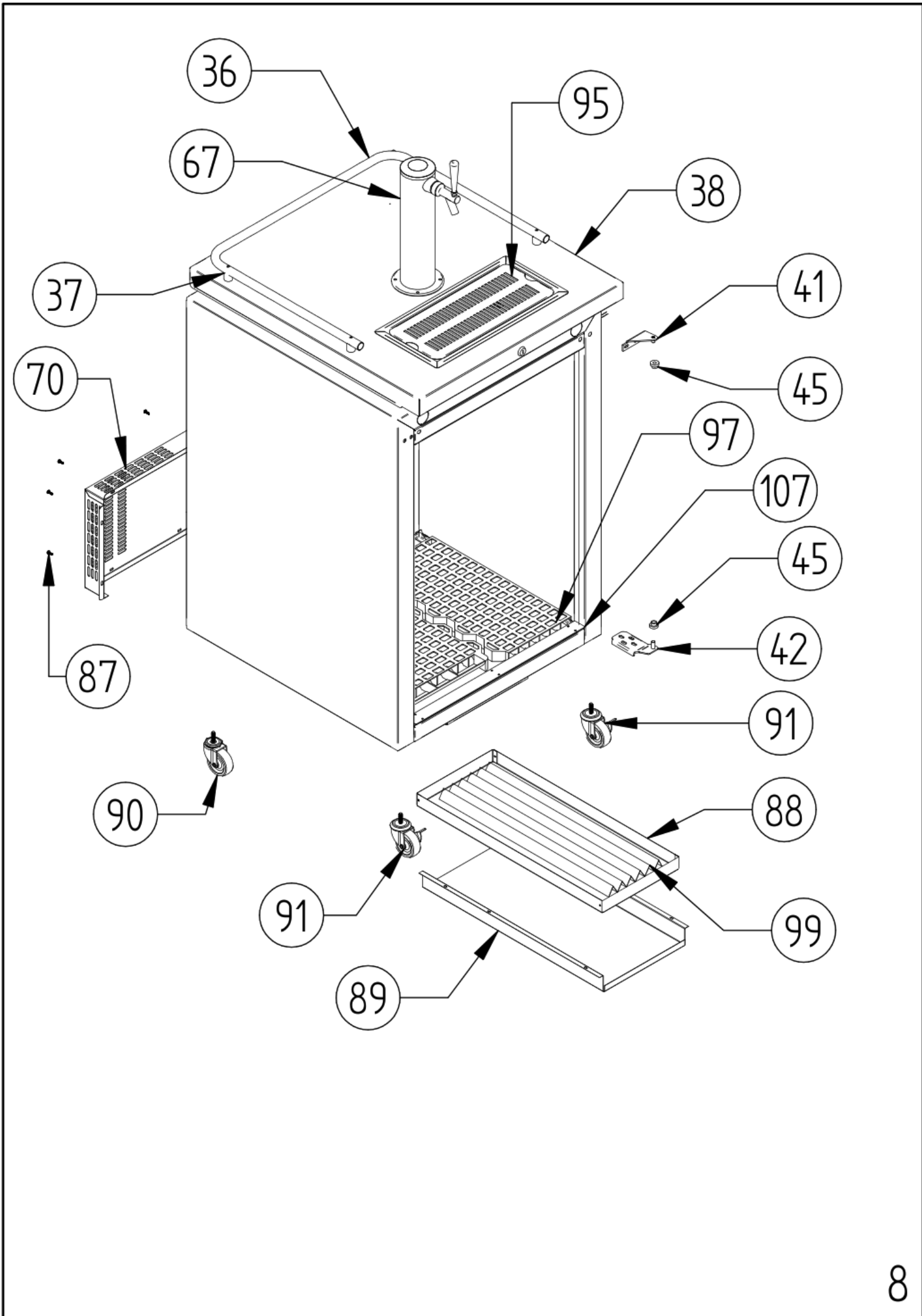


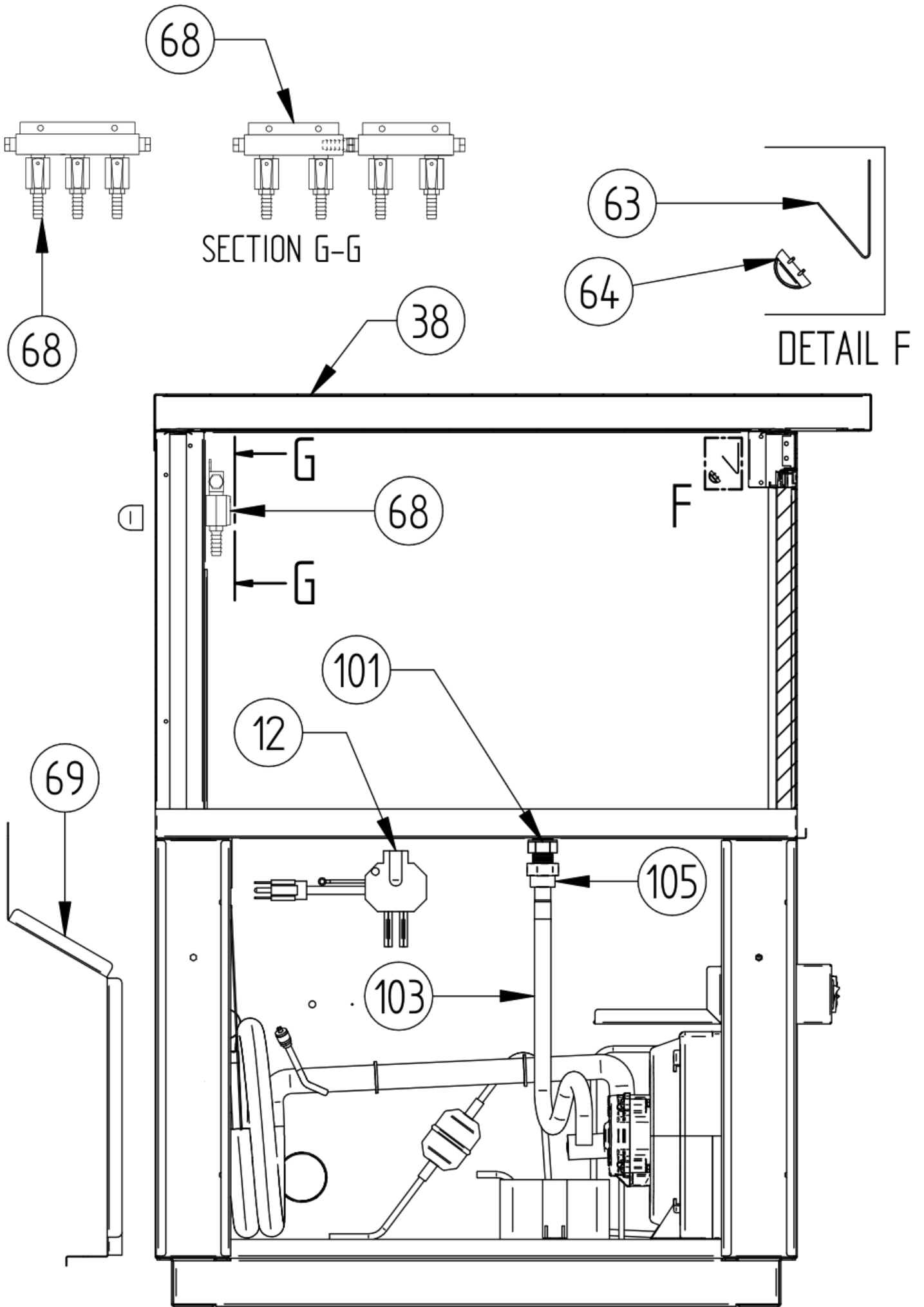
DETAIL C

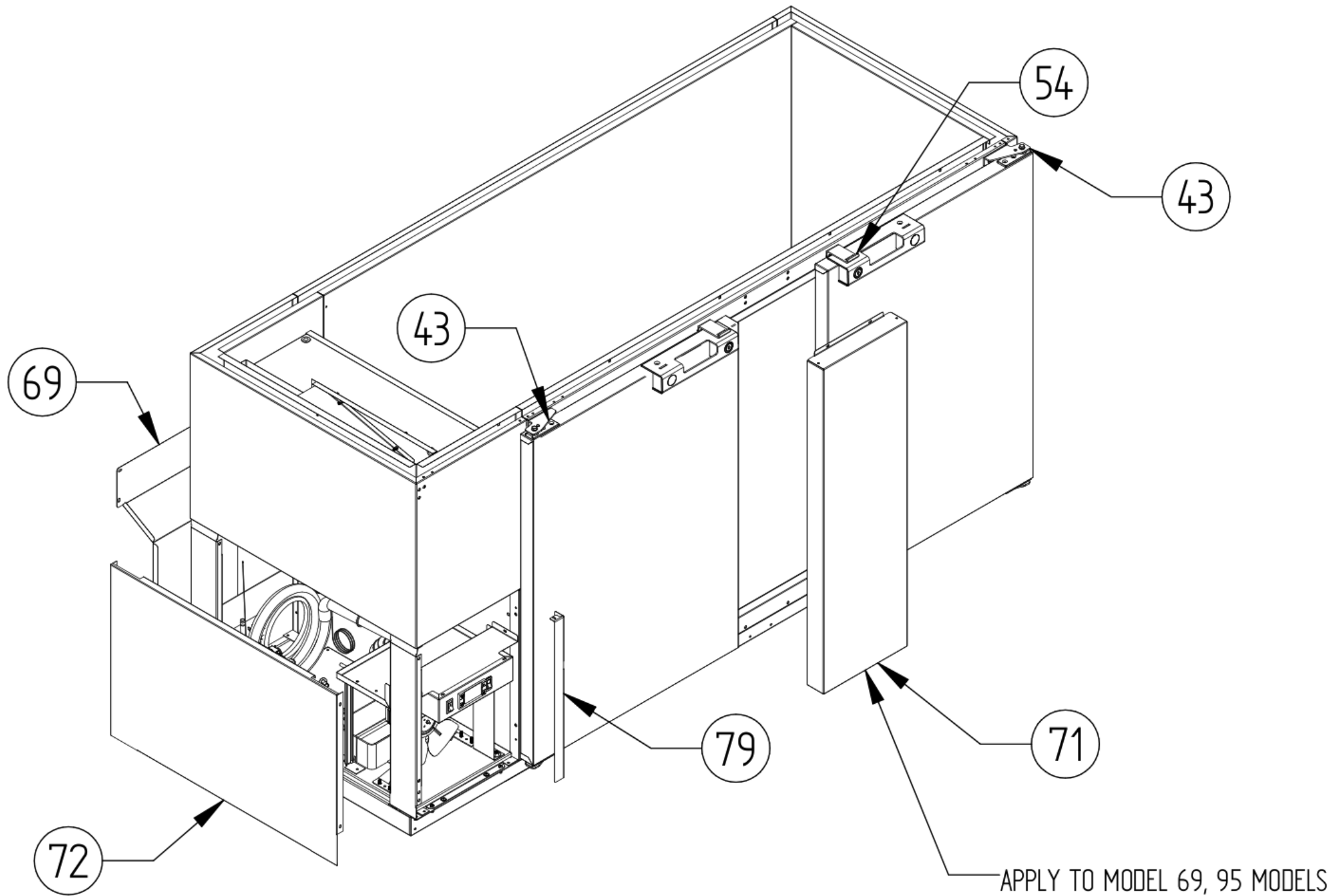




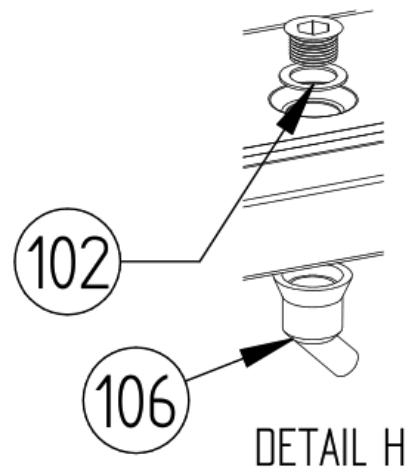
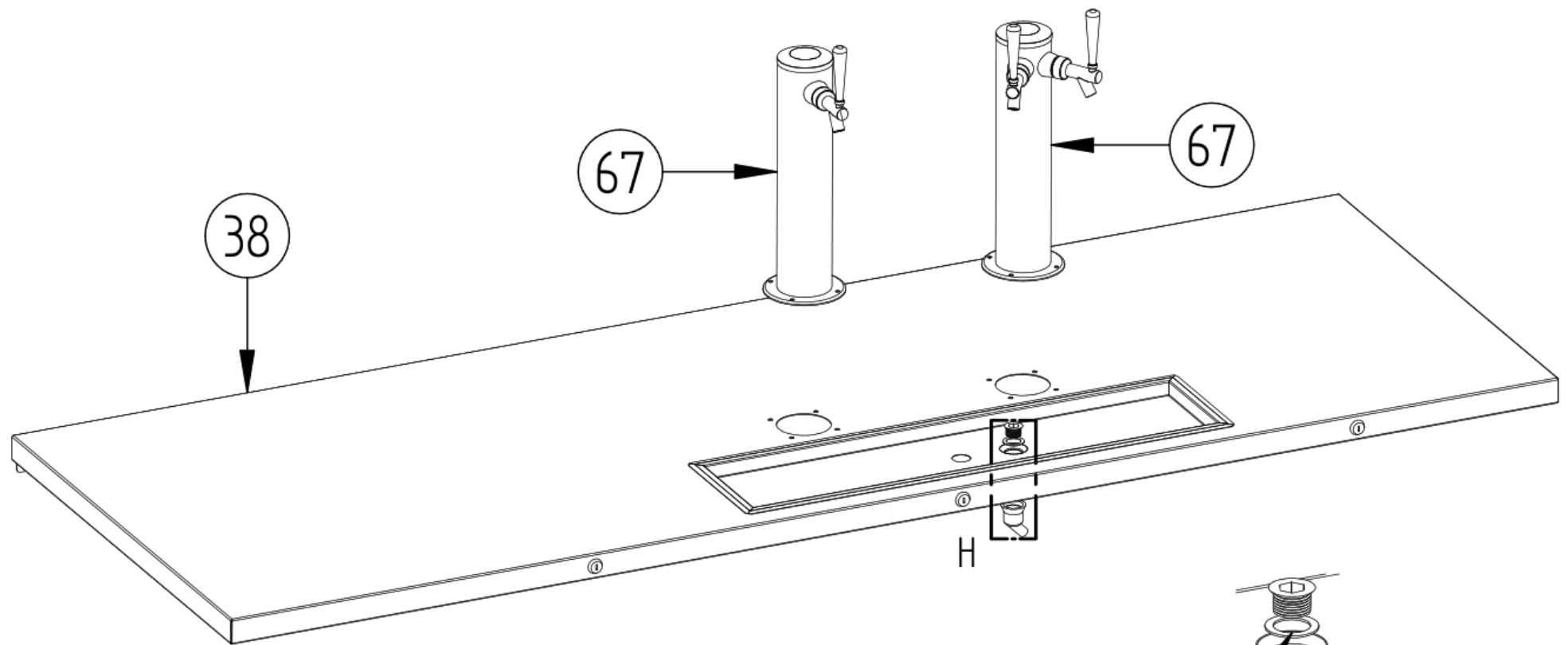


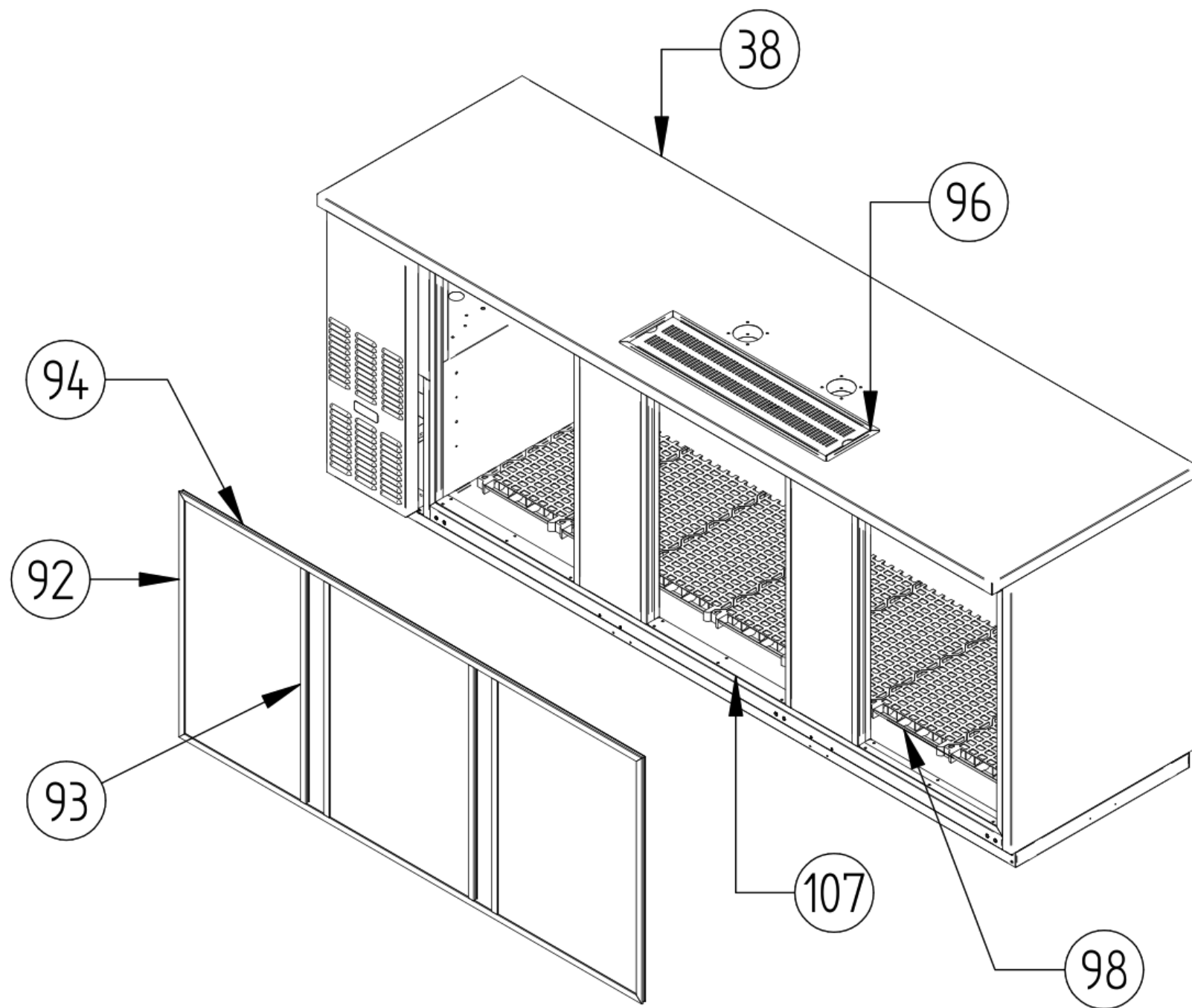






APPLY TO MODEL 69, 95 MODELS





REFERENCE PICTURE

# ITEM	PART NUMBER	DESCRIPTION	HDD-1-24	HDD-2-59	HDD-3-69	HDD-3-80	HDD-4-95
Condensing Units							
		CONDENSING UNIT					
		CONDENSING UNIT					
1	12206582	DECK	1				
	12195862	DECK		1	1	1	1
2	12188088	COMPRESSOR	1				
	12190495	COMPRESSOR		1	1	1	1
3	12190610	START KIT	1				
	12213603	START KIT		1	1	1	1
4	12190813	CONDENSER	1				
	12190812	CONDENSER		1	1	1	1
5	12188004	DRIER	1	1	1	1	1
6	12189983	FAN SUPPORT	1	1	1	1	1
7	12190510	FAN	1	1	1	1	1
8	12190018	FAN BLADE 8-28	1	1	1	1	1
9	12190608	POWER CORD	1	1	1	1	1
10	12037369	ACCESS VALVE	1	1	1	1	1
11	12189560	AUTOMATIC EVAPORATION TRAY		1	1	1	1
12	12190610	POWER CORD (SPIDER HUB)	1	1	1	1	1
13	12190431	HEAT EXCHANGER	1				
	12190429	HEAT EXCHANGER		1	1	1	1
14	12200322	EVAPORATION COIL		1	1	1	1

# ITEM	PART NUMBER	DESCRIPTION	HDD-1-24	HDD-2-59	HDD-3-69	HDD-3-80	HDD-4-95
Evaporation Units							
EVAPORATION UNIT							
EVAPORATION UNIT							
15	12190775	EVAPORATOR COIL	1				
	12190777	EVAPORATOR COIL		1	1	1	1
16	12194105	FAN SUPPORT	1				
17	12191294	FAN SUPPORT		1	1	1	1
18	12190018	BLADE		1	1	1	1
19	12191476	FAN	1				
	12190510	FAN		1	1	1	1
20	12190728	FAN GRID		1	1	1	1
21	12190068	GRID SUPPORT		1	1	1	1
22	12194245	ANGULAR DEFLECTOR		1	1	1	1
23	12194246	DEFLECTOR RIGHT		1	1	1	1
24	12194247	LEFT DEFLECTOR		1	1	1	1
25	12194250	BACK DEFLECTOR		1	1	1	1
26	12194249	TOP EVAPORATOR PANEL		1	1	1	1
27	12194248	BACK SUPPORT		1	1	1	1
28	12193839	EVAPORATION TRAY		1	1	1	1
29	12206313	FRONTAL EVAPORATOR PANEL		1	1	1	1
30	12194095	EVAPORATOR PROTECTOR	1				
31	12194133	CONTROLLER SUPPORT	1				
32	12194096	EVAPORATOR DEFLECTOR	1				
33	12194097	FAN DEFLECTOR	1				
34	12194790	EVAPORATOR COVER BRACKET	4				
35	12190014	EVAPORATION TRAY	1				

#	PART	DESCRIPTION	HDD-1-24	HDD-2-59	HDD-3-69	HDD-3-80	HDD-4-95
ITEM	NUMBER						
Top							
36	12190897	HANDRAIL	1				
37	12190901	SEPARATOR HANDRAIL	4				
	12204728	TOP ASSEMBLY 24	1				
	12204675	TOP ASSEMBLY 59		1			
38	12204674	TOP ASSEMBLY 69			1		
	12204673	TOP ASSEMBLY 80				1	
	12204672	TOP ASSEMBLY 95					1
Doors & Others							
	12202947	RIGHT DOOR	1				
39	12202917	RIGHT DOOR		1	1	2	2
	12202918	LEFT DOOR		1	1		1
	12214347	LEFT DOOR				1	
	12188100	GASKET	1				
40	12191258	GASKET		2	2	2	3
	12191259	GASKET				1	
HINGE KIT							
41	12190869	TOP HINGE LEFT	1				
42	12194993	BOTTOM HINGE	1				
45	12190037	NYLON BUSHING	2				
RIGHT HINGE KIT							
43	12191308	TOP RIGHT HINGE		1	1	1	1
44	12191306	BOTTOM RIGHT HINGE		1	1	1	1
45	12190016	SPACER		1	1	1	1
46	12195119	CARTRIDGE		1	1	2	2
47	12195118	WHASER CARTRIDGE		1	1	2	2
48	12195119	STOPE HINGE		1	1	2	2

# ITEM	PART NUMBER	DESCRIPTION	HDD-1-24	HDD-2-59	HDD-3-69	HDD-3-80	HDD-4-95
Doors & Others							
43	12191308	TOP RIGHT HINGE		1	1	1	1
44	12191306	BOTTOM RIGHT HINGE		1	1	1	1
45	12190016	SPACER		1	1	1	1
46	12195119	CARTRIDGE		1	1	2	2
47	12195118	WHASER CARTRIDGE		1	1	2	2
48	12195119	STOPE HINGE		1	1	2	2
LEFT HINGE KIT							
43	12191309	TOP LEFT HINGE		1	1	1	1
44	12191307	BOTTOM LEFT HINGE		1	1	1	1
45	12190016	SPACER		1	1	1	1
46	12195119	CARTRIDGE		1	1	1	
47	12195118	WHASER CARTRIDGE		1	1	2	2
48	12195119	STOPE HINGE		1	1	2	2
HANDLE KIT RIGHT							
HANDLE KIT LEFT							
49	12211931	RIGHT HANDLE		1	1	2	2
	12211931	LEFT HANDLE	1	1	1	1	1
50	12190887	LOCK	1	2	2	3	3
51	12211932	PLATE	1	2	2	3	3
52	12195809	SUPPORT PLATE	1	2	2	3	3
53	12195151	LOCK STOP	1				
54	12195087	LOCK STOP		2	2	3	3

# ITEM	PART NUMBER	DESCRIPTION	HDD-1-24	HDD-2-59	HDD-3-69	HDD-3-80	HDD-4-95
Controllers & Other							
	12204021	CONTROL RANCO KIT	1				
55	12188093	RANCO CONTROLLER	1				
56	12190598	RANCO ACCESORIES	1				
57	12189972	RANCO KNOB	1				
58	12188079	CAREL CONTROLLER		1	1	1	1
59	12190513	ROCKER SWITCH 20 AMP		1	1	1	1
60	12188080	PROBE NTC030HP00 CAREL		1	1	1	1
61	12190580	DRIVER LED		1	1	1	1
62	12037293	LIGHT SWITCH		1	1	1	1
63	12194279	LAMP SUPPORT		1	1		
	12194278	LAMP SUPPORT				1	1
64	12190586	LED LIGHT		1	1		
	12190587	LED LIGHT				1	1
65	12195870	DEFLECTOR		1	1	1	1
66	12195871	CONTROLLER SUPPORT		1	1	1	1
Towers & Others							
67	12191240	1 WAY TOWER	1	1	1		
	12191241	2 WAYS TOWER		1	1	2	2
68	12191236	AIR DISTRIBUTOR (3 WAYS)		1	1		
	12191237	AIR DISTRIBUTOR (4 WAYS)				1	1

# ITEM	PART NUMBER	DESCRIPTION	HDD-1-24	HDD-2-59	HDD-3-69	HDD-3-80	HDD-4-95
Panels							
67	12195836	BACK PANEL		1	1	1	1
68	12195735	BACK PANEL	1				
69	12206614	DOORS PANEL			1		
	12206609	DOORS PANEL					2
70	12206608	SIDE PANEL C.U.		1	1	1	1
71	12218964	CONDENSING DOOR		1	1	1	1
72	12213300	SNAP BUSHING		2	2	2	2
73	12190968	MAGNET DOOR		1	1	1	1
74	12191187	ACRY LIC LENS		1	1	1	1
75	12216175	TOP HINGE		1	1	1	1
76	12216178	BOTTOM HINGE		1	1	1	1
Other							
77	12190891	RIGHT LIGHT TRIM		1	1	1	1
78	12191519	SCREW 6x35	4	4	4	4	4
79	12189583	SCREW M6x16	8	8	8	8	8
80	12191523	SCREW M5x08	2	2	2	2	2
81	12191506	SCREW DRILL	4	4	4	4	4
82	12189959	PLASTIC SCREW	22	22	22	22	22
83	12191518	SCREW ALLEN 6X16	6	6	6	6	6
84	12191589	SCREW AVEL PHI 10-32-5/8	2	2	2	2	2
85	12213605	SCREW M4x25 INOX	16	16	16	16	16
86	12195375	EVAPORATION TRAY BAR	1				
87	12195717	SUPPORT TRAY	1				
88	12190919	CASTER 2.5" WO/BRAKE	2				
89	12190920	CASTER 2.5" W/BRAKE	2				
105	12191559	SCREW M4x10 HEAD HEX SS	4	4	4	4	4
106	12191540	GROWER WASHER M4	4	4	4	4	4

# ITEM	PART NUMBER	DESCRIPTION	HDD-1-24	HDD-2-59	HDD-3-69	HDD-3-80	HDD-4-95
Plastic Frame							
	12200483	SIDE STRIP		2			
92	12200484	SIDE STRIP			2		
	12200485	SIDE STRIP				2	
	12200486	SIDE STRIP					2
93	12200487	CENTRAL STRIP		2	2	4	4
94	12200510	TOP STRIP		2	2	2	2
95	12193443	DRAIN GRID	1				
96	12193792	DRAIN GRID		1	1	1	1
97	12191714	KEG CUSHION	1				
	12191715	KEG CUSHION	1				
	12191710	KEG CUSHION		3	4	5	7
98	12191711	KEG CUSHION		1			
	12191712	KEG CUSHION			1	1	
Drain							
99	13002255	HEATSINK PAPER	1				
100	12190078	DRAIN	1				
101	12191224	DRAIN		1	1	1	1
102	12190472	DRAIN HOSE	1				
103	12190467	DRAIN HOSE		1	1	1	1
104	12189956	PLASTIC SEAL	1	1	1	1	1
105	12190069	ADAPTER HOSE COUPLING	1	1	1	1	1
106	12191224	DRAIN	1	1	1	1	1
	12191292	FRAME DOOR COVER	1				
107	12193518	FRAME DOOR COVER		2	2	2	3
	12193519	FRAME DOOR COVER 79				1	

HOSHIZAKI AMERICA, INC.

618 Hwy. 74 South, Peachtree City, GA 30269 USA (P) 770.487.2331 (F) 770.487.3360 hoshizakiamerica.com