



HOSHIZAKI

Parts List

Refrigerated Kitchen Equipment

Models

Refrigerated Prep Table with Raised Rail



hoshizakiamerica.com

Number: 71300
Issued: 11-3-2009
Revised: 4-22-2016

CONTENTS

Auxiliary Codes.....	3
Auxiliary Code Breakdown.....	3
Note About Ordering Parts	3
A. Main Assembly	4
HPR46A(-D)	4
HPR72A(-D)	6
B. Refrigeration Circuit.....	8
HPR46A(-D)	8
HPR72A(-D)	10
C. Control Box Assembly	12
D. Rail Assembly	14
HPR46A(-D)	14
HPR72A(-D)	15
E. Door Group-Right	16
F. Door Group-Left	17
G. Drawer Cartridge.....	18
H. Drawer Assembly	19
J. Accessories & Labels.....	20

Auxiliary Codes

HPR46A

U-5 October 2009
U-6 November 2009
V-5 January 2010
A-5 March 2011
B-5 January 2012
C-5 January 2013
D-5 June 2014

HPR72A

T-5 June 2008
T-6 November 2008
U-5 March 2009
U-6 August 2009
V-5 April 2010
A-5 February 2011
B-5 February 2012
C-5 January 2013
D-5 August 2014
E-5 February 2015
E-6 August 2016
F-5 January 2016

HPR46A-D

U-5 January 2009
A-5 January 2011
B-5 February 2012
C-5 January 2013
D-5 May 2014
D-6 August 2014
E-5 January 2015
F-5 March 2016

HPR72A-D

U-5 April 2009
V-5 December 2009
A-5 January 2011
B-5 January 2012
C-5 February 2013
E-5 June 2015
E-6 August 2015

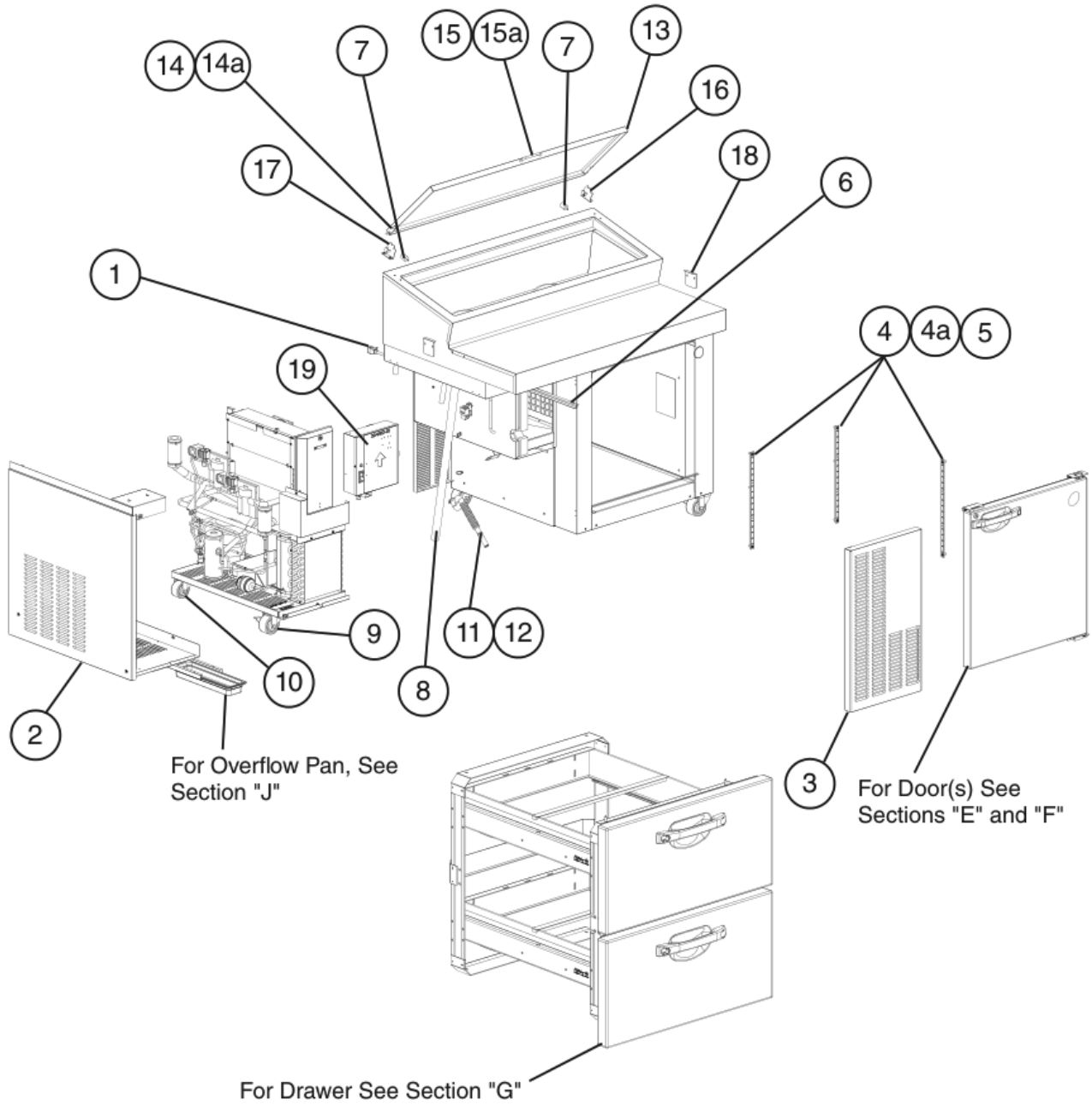
Auxiliary Code Breakdown

The auxiliary code is the first two characters in the serial number. The first character indicates the year. Years progress or regress in alphabetical order. The series runs from "A" through "V" and the letters "I" and "O" are skipped. The second character indicates significant part changes within a year. Base is "5" and this number advances for each change.

Note About Ordering Parts

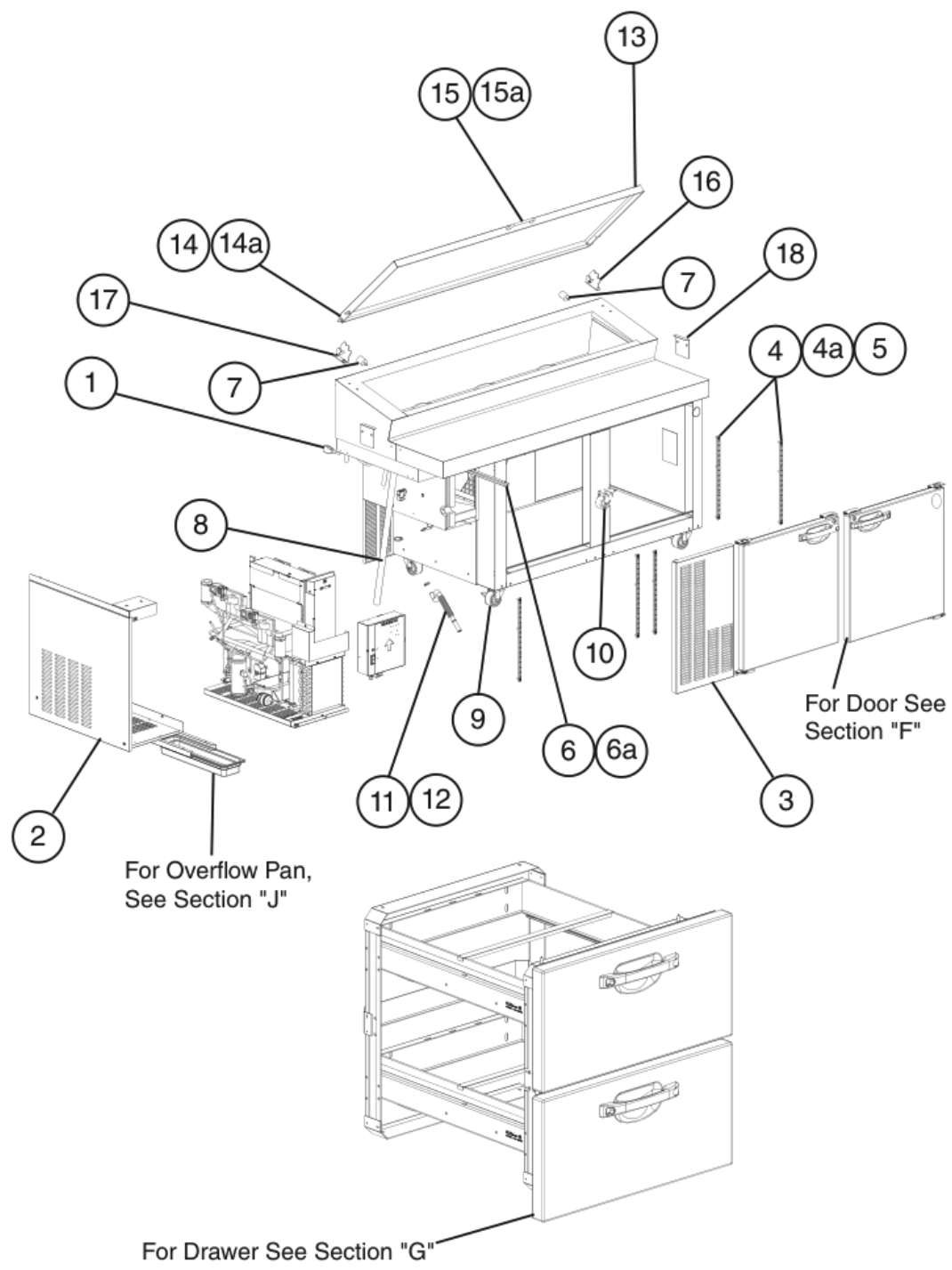
Most assemblies cannot be ordered as complete units; parts in the assemblies generally must be ordered separately.

A. Main Assembly
HPR46A(-D)
 U-5 to F-5



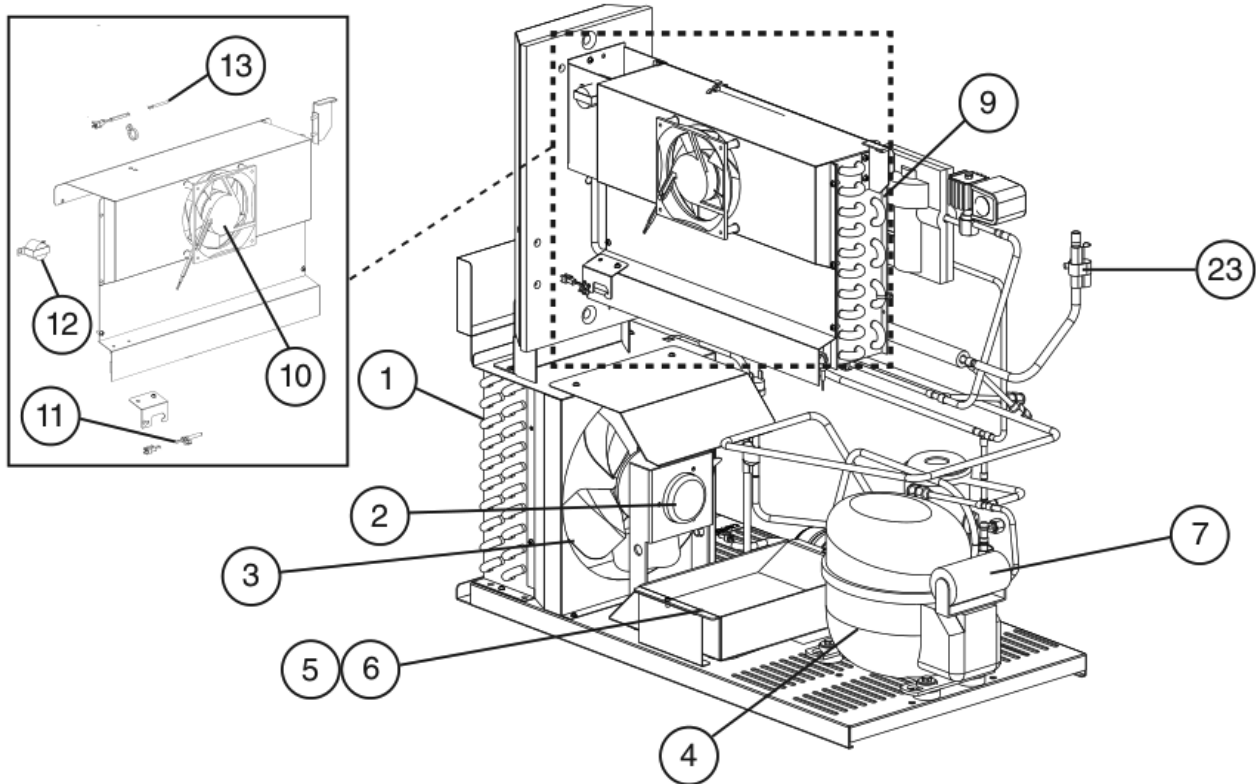
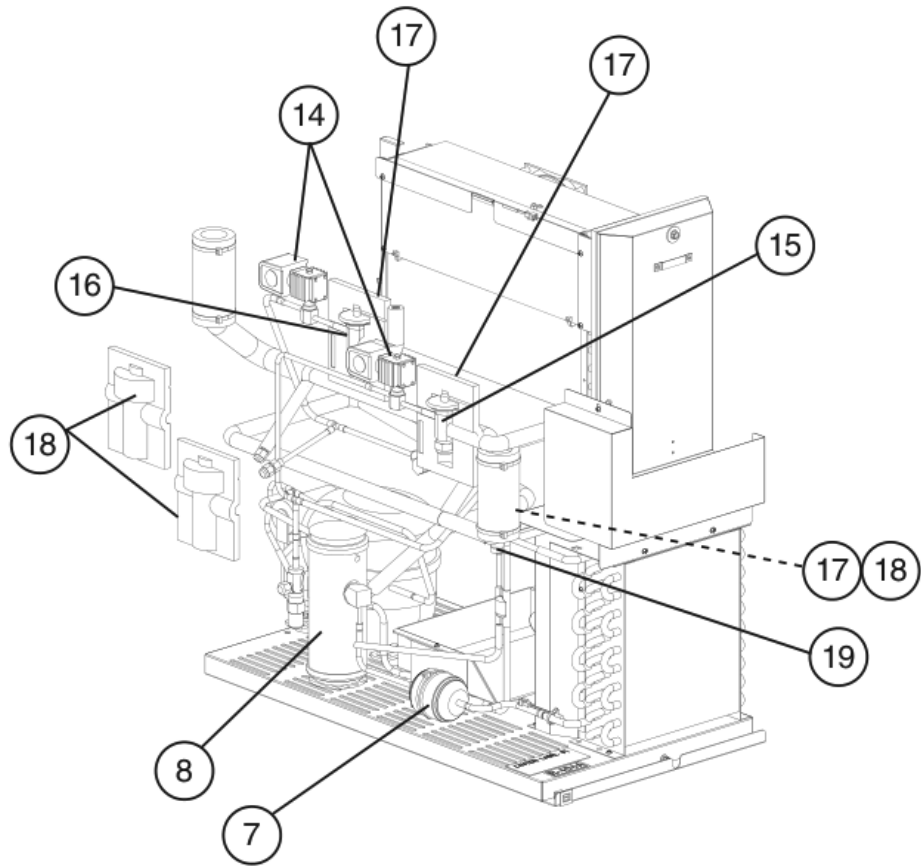
Title: A. Main Assembly Model: HPR46A(-D)											
Index No.	Description	Material or Model Number	Part Number	U-5 to F-5	Required Number						
1	Power Supply Cord		4A0520-01	1							
2	Side Access Panel		2A4646-01	1							
3	Front Panel		2A4648-01	1							
4	Pilaster	HPR46A	4A3278-01	3							
4a	Countersunk Screw	HPR46A 5x20,	7C42-0520	6							
5	Hole Plug	HPR46A	4A0710-01	2							
6	Cabinet Evaporator Support Rail		3A3002-01	1							
7	Bumper		4A4578-01	2							
8	Vinyl Hose	L=830 mm	4A0658L01	1							
9	Front Caster (Locking)		4A4275-01	2							
10	Rear Caster (Non-Locking)		4A4275-02	2							
11	Hose Clamp		4A2017-06	1							
12	Drain Trap		3R2208-01	1							
13	Rail Cover		2A4666-01	1							
14	Rail Cover Pivot Pin		4A4768-01	4							
14a	Rail Cover Pivot Hex Head Screw		4A4769-01	4							
15	Rail Cover Handle		4A4518-01	1							
15a	Pan Head Screw	#8-32x1/2	7C12I0812	2							
16	Rail Cover Bracket Right		4A4713-01	1							
17	Rail Cover Bracket Left		4A4713-02	1							
18	Cutting Board Bracket		3A4890-01	2							
19	Control Box Cover		3A4910-01	1							

A. Main Assembly
HPR72A(-D)
 T-5 to E-6



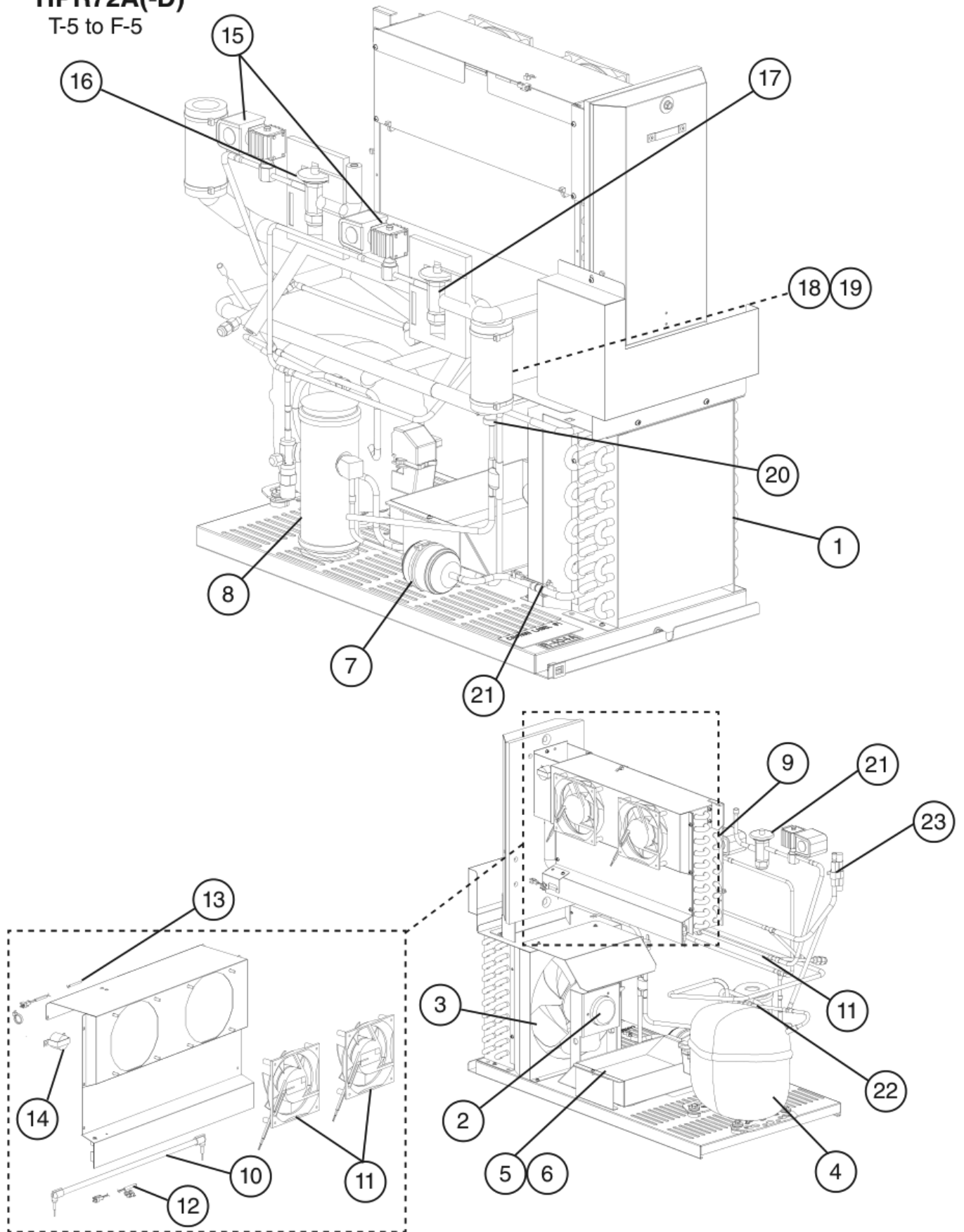
Title: A. Main Assembly Model: HPR72A(-D)												
Index No.	Description	Material or Model Number	Part Number	T-5 to F-5	Required Number							
1	Power Supply Cord		4A1543-01	1								
2	Side Access Panel		2A4646-01	1								
3	Front Panel		2A4648-01	1								
4	Pilaster		4A3278-01	5								
4a	Countersunk Screw	5x20	7C42-0520	10								
5	Hole Plug		4A0710-01	2								
6	Cabinet Evaporator Support Rail		3A3002-01	1								
6a	T2 Screw	4x8	7P32-0408	4								
7	Bumper		4A4578-01	2								
8	Vinyl Hose	L=830	4A0658L01	1								
9	Front Caster (Locking)		4A4275-01	2								
10	Rear Caster (Non-Locking)		4A4275-02	2								
11	Hose Clamp		4A2017-06	1								
12	Drain Trap		3R2208-01	1								
13	Rail Cover		2A4666-02	1								
14	Rail Cover Pivot Pin		4A4768-01	4								
14a	Rail Cover Pivot Hex Head Screw		4A4769-01	4								
15	Rail Cover Handle		4A4518-01	1								
15a	Pan Head Screw	8-32x1/2	7C12I0812	2								
16	Rail Cover Bracket Right		4A4713-01	1								
17	Rail Cover Bracket Left		4A4713-02	1								
18	Cutting Board Bracket		3A4890-01	2								

B. Refrigeration Circuit
HPR46A(-D)
 U-5 to F-5



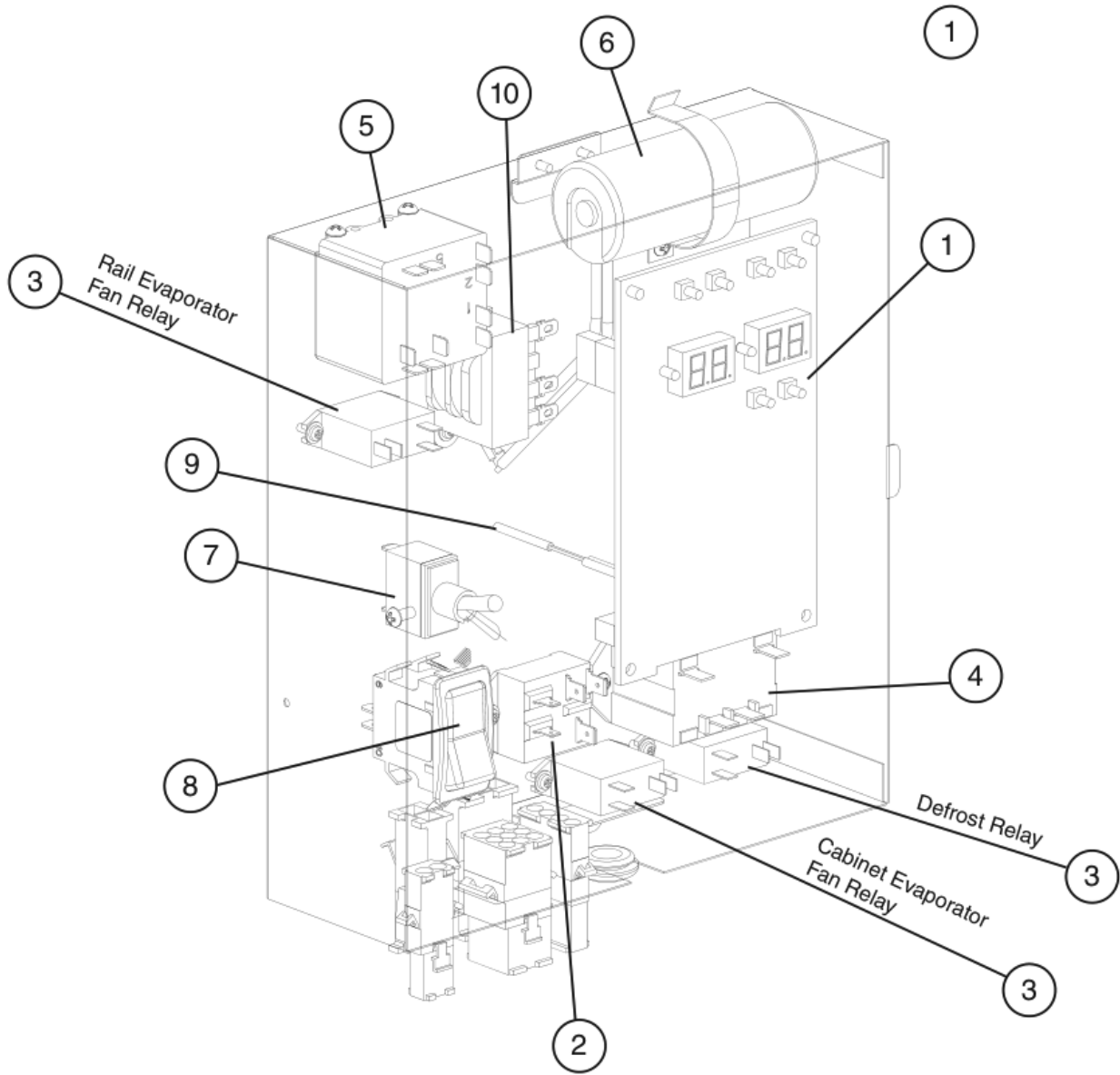
Title: B. Refrigeration Circuit Model: HPR46A(-D)											
Index No.	Description	Material or Model Number	Part Number	Required Number							
				U-5 to E-6 (F)	E-6 (G) to F-5						
1	Condenser		2A2446-01	1	1						
2	Condenser Fan Motor		4A1179-01	1	1						
3	Condenser Fan Blade		3A0608-01	1	1						
4	Compressor		4A2343-01	1	1						
5	Condensate Pan		3A7181-01	1	1						
6	Condensate Coil		2A6823G01	1	1						
7	Drier		4A1113-01	1	1						
8	Receiver		3A4886-01	1	1						
9	Evaporator		2A2835-01	1	1						
10	Evaporator Fan Motor		4R2813-01	1	-						
			4A5343-01		1						
11	Cabinet Thermistor		447267-01	1	1						
12	Defrost Thermostat		4A0954-02	1	1						
13	Defrost Thermistor		447150-01	1	1						
14	Solenoid Valve		4A4536-01	2	2						
15	Cabinet Thermostatic Expansion Valve		4A4685-01	1	1						
16	Rail ThermostaticExpansion Valve		4A4684-01	1	1						
17	Holder Expansion Valve		3A0107-01	2	2						
18	Hose Clamp		443461-01	2	2						
19	High-Pressure Switch		4A2516-02	1	1						

B. Refrigeration Circuit
HPR72A(-D)
 T-5 to F-5



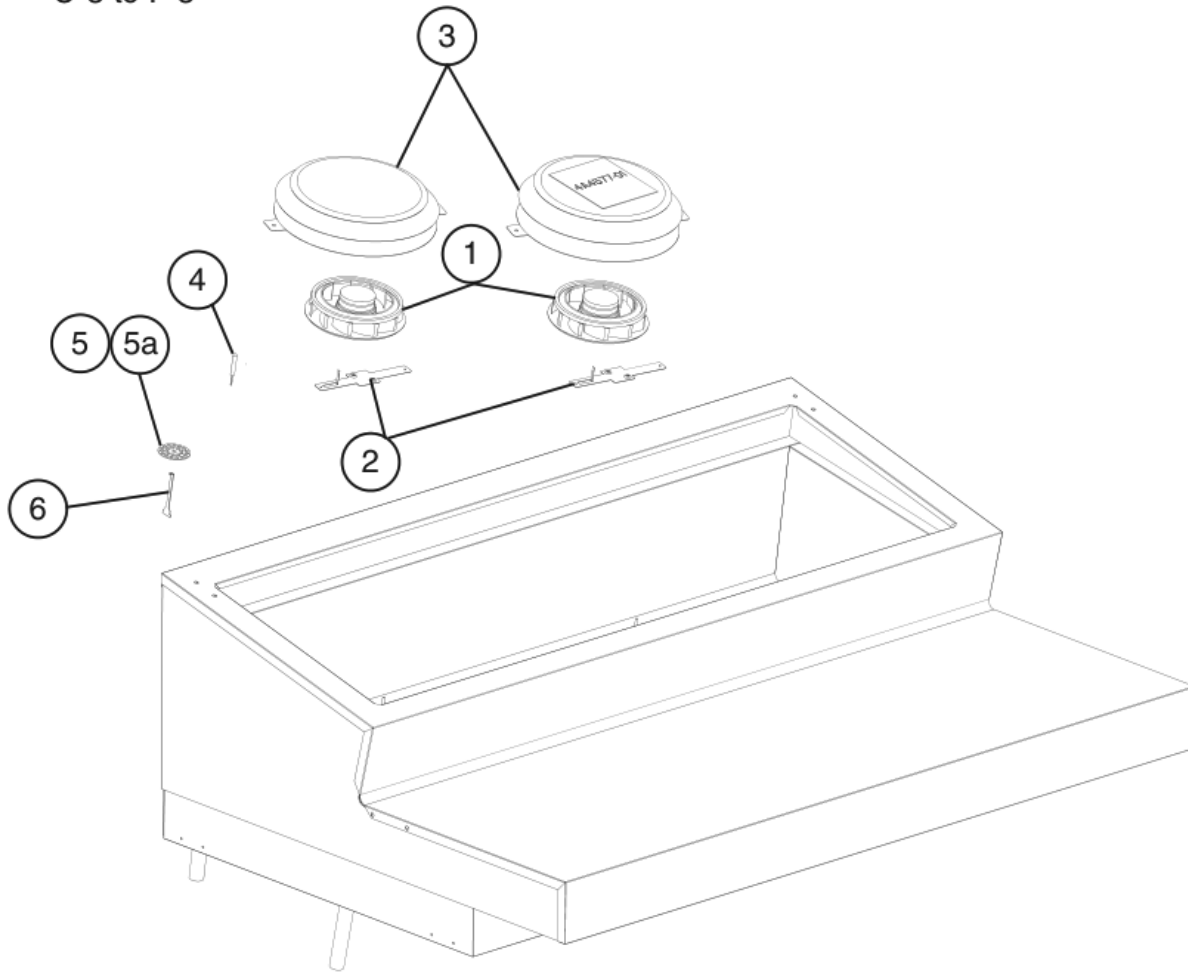
Title: B. Refrigeration Circuit Model: HPR72A(-D)												
Index No.	Description	Material or Model Number	Part Number	T-5 to F-5	Required Number							
1	Condenser		2A2446-01	1								
2	Condenser Fan Motor		4A1179-01	1								
3	Condenser Fan Blade		3A0608-01	1								
4	Compressor	SC12MLX 1041160600	4A3677-01	1								
5	Condensate Pan		3A7181-01	1								
6	Condensate Coil		2A6823G01	1								
7	Drier		4A1113-01	1								
8	Reciever		3A4886-01	1								
9	Evaporator		2A2835-01	1								
10	Glass Tube Heater		3A2335-01	1								
11	Evaporator Fan Motor		4R2813-01	2								
12	Cabinet Thermistor		447267-01	1								
13	Defrost Thermistor		447150-01	1								
14	Defrost Thermostat		4A0954-02	1								
15	Solenoid Valve		4A4536-01	2								
16	Rail Expansion Valve		4A4535-01	1								
17	Cabinet Thermostatic Expasion Valve		4A4534-01	1								
18	Holder Thermostatic Expansion Valve		3A0107-01	2								
19	Hose Clamp		443461-01	2								
20	High-Pressure Switch		4A2516-02	1								
21	Filter Thermistor		455534-01	1								

C. Control Box Assembly
HPR46A(-D), HPR72A(-D)
T-5 to F-5



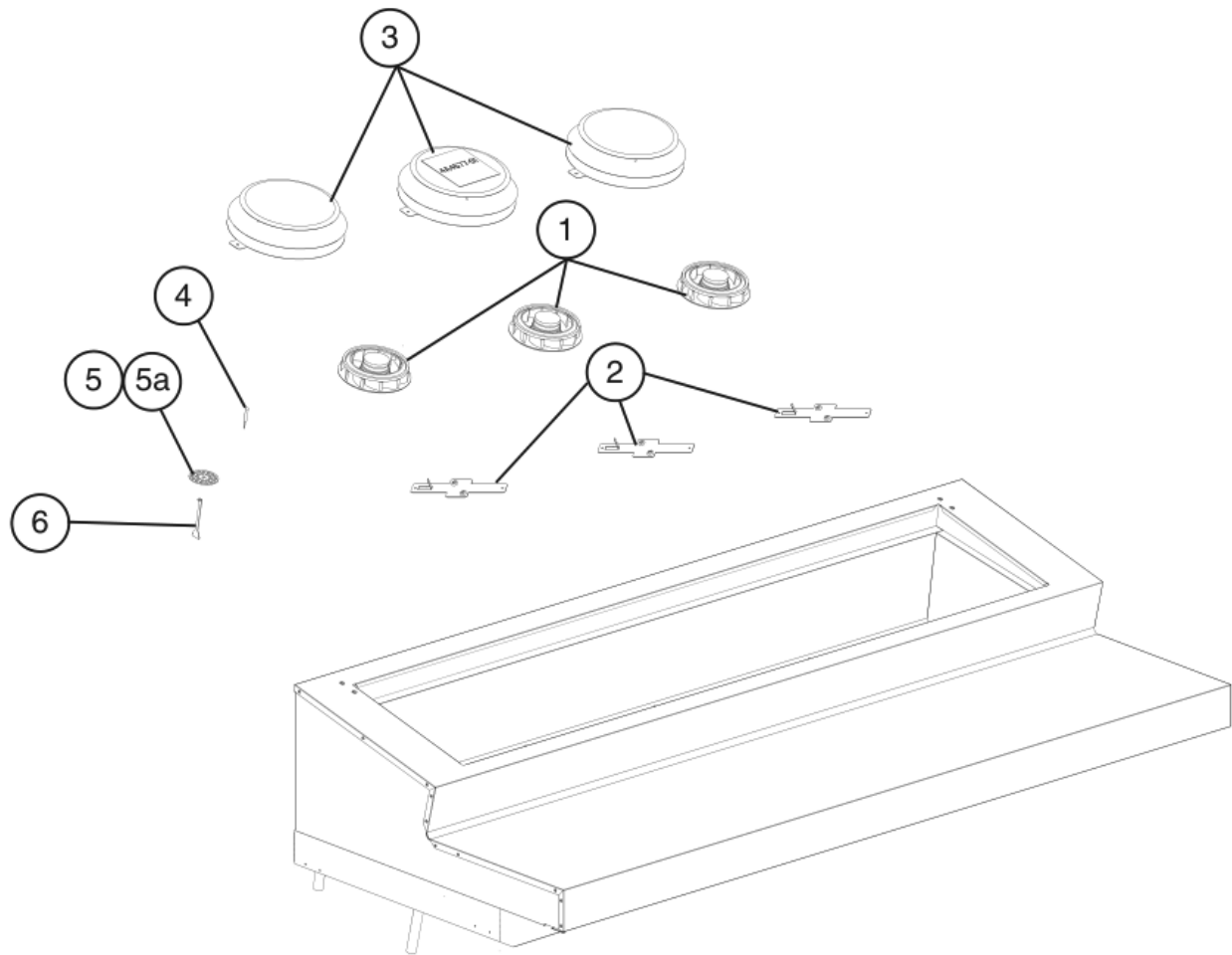
Title: C. Control Box Assembly Model: HPR46A(-D), HPR72A(-D)											
Index No.	Description	Material or Model Number	Part Number	Required Number							
				T-5 to B-5 (L)	B-5 (M) to F-5						
1	Control Board		3A4913-01	1	1						
2	Compressor Control Relay		427992-02	1	-						
			P02203-02		1						
3	Relay: (Defrost, Evaporator (cabinet) Fan(s), Rail Evaporator Fan(s))		430173-05	3	3						
4	Compressor Relay		4A3140-01	1	1						
5	Starting Relay	HPR72A(-D)	4A3683-01	1	1						
6	Start Capacitor	HPR72A(-D) 410MFD, 125/165VAC	4A3977-01	1	1						
7	Toggle Switch		4A0424-01	1	1						
8	Rocker Switch		4A4575-01	1	1						
9	Defrost Thermistor		447150-01	1	1						
10	Control Transformer		3A1759-01	1	1						

D. Rail Assembly
HPR46A(-D)
 U-5 to F-5



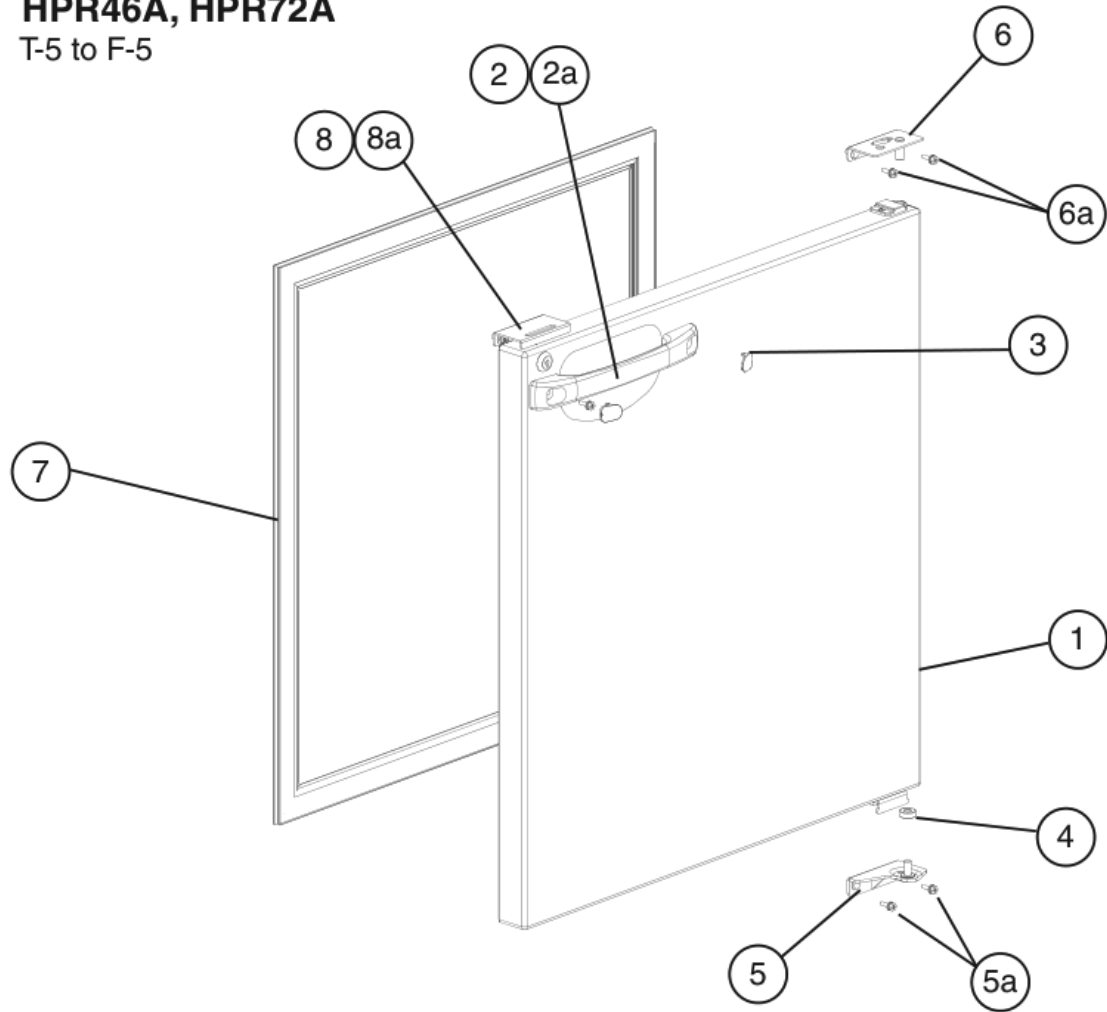
Title: D. Rail Assembly Model: HPR46A(-D)				Required Number							
Index No.	Description	Material or Model Number	Part Number	U-5	B-5	E-5					
				to B-5 (L)	(M) to E-5 (C)	(D) to F-5					
1	Rail Fan Motor		4A4513-01	2	-						
			4A5731-01		2	2					
2	Fan Bracket		4A4516-01	2	2	2					
3	Rail Fan Shroud		3A6910G01	2	2	2					
4	Rail Thermistor		4R2691-04	1	1	1					
5	Drain Strainer	SP-5150	4A4563-01	1	1	-					
			3A8587-01			1					
5a	Hex Head Inner Drain Pipe Bolt	4x30	7B02-0430			1					
6	Drain Strap		3A8586-01			1					

D. Rail Assembly
HPR72A(-D)
 T-5 to F-5



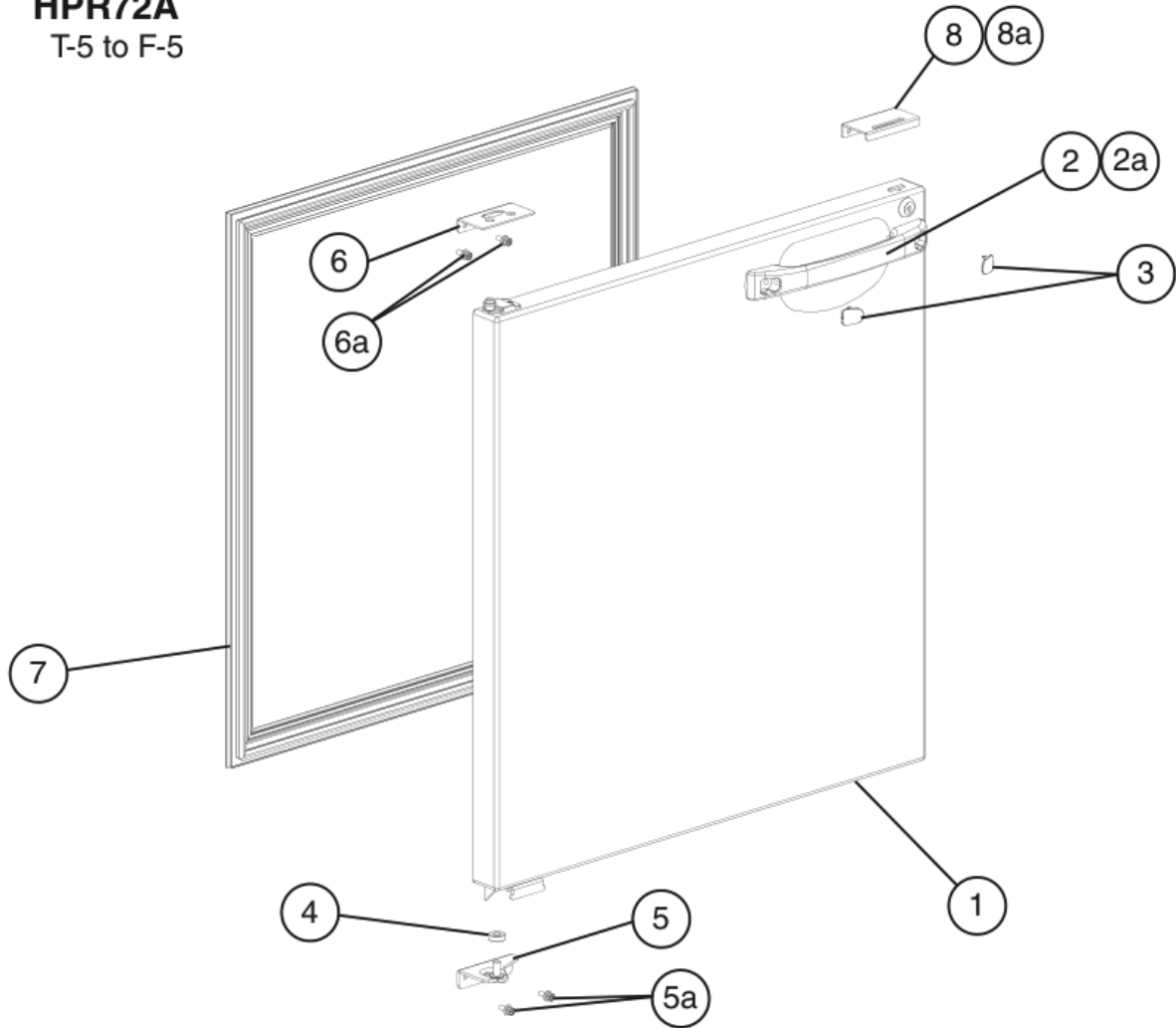
Title: D. Rail Assembly		Model: HPR72A(-D)		Required Number							
Index No.	Description	Material or Model Number	Part Number	T-5 to B-5 (K)	B-5 (L) to D-5	E-5 to F-5					
1	Rail Fan		4A4513-01	3	-						
			4A5731-01		3	3					
2	Fan Bracket		4A4516-01	3	3	3					
3	Rail Evaporator Fan Shroud		3A6910G01	3	3	3					
4	Interior Thermistor		4R2691-04	1	1	1					
5	Drain Strainer	SP-5150	4A4563-01	1	1	-					
			3A8587-01			1					
5a	Hex Head Inner Drain Pipe Bolt	4x30	7B02-0430			1					
6	Drain Strap		3A8586-01			1					

E. Door Group-Right
HPR46A, HPR72A
 T-5 to F-5



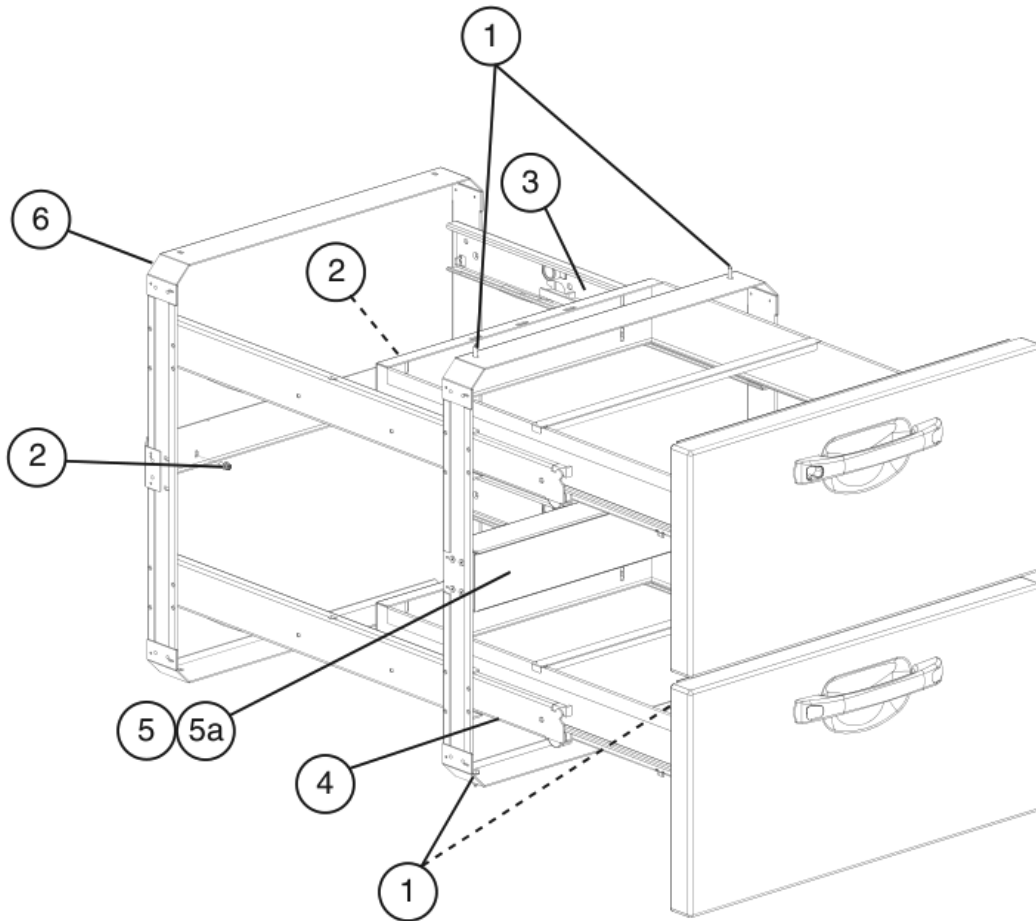
Title: E. Door Group-Right Model: HPR46A, HPR72A				Required Number							
Index No.	Description	Material or Model Number	Part Number	T-5 to A-5 (D)	A-5 (E) to F-5						
1	Door-Foamed (R)		2A4057G01	1	-						
			2A6061G01		1						
2	Handle		2R1744-01	1	1						
2a	Screw-Bolt	5x16, SS Coated	449879-08	2	2						
3	Handle Cap		3R7278-01	2	2						
4	Hinge Collar		4H7429-01	1	1						
5	Door Hinge, R Bottom		332912G02	1	1						
5a	Bolt	5x16, SS	4A3181-01	2	2						
6	Door Hinge, R Top		4R1716G02	1	1						
6a	Bolt	5x16, SS	4A3181-01	2	2						
7	Door Gasket		2A3437-03	1	-						
			2A5192-04		1						
8	Keeper-Lock	SS	4A3999-01	1	1						
8a	Bolt	5x16, SS	4A3181-01	2	2						

F. Door Group-Left
HPR72A
 T-5 to F-5



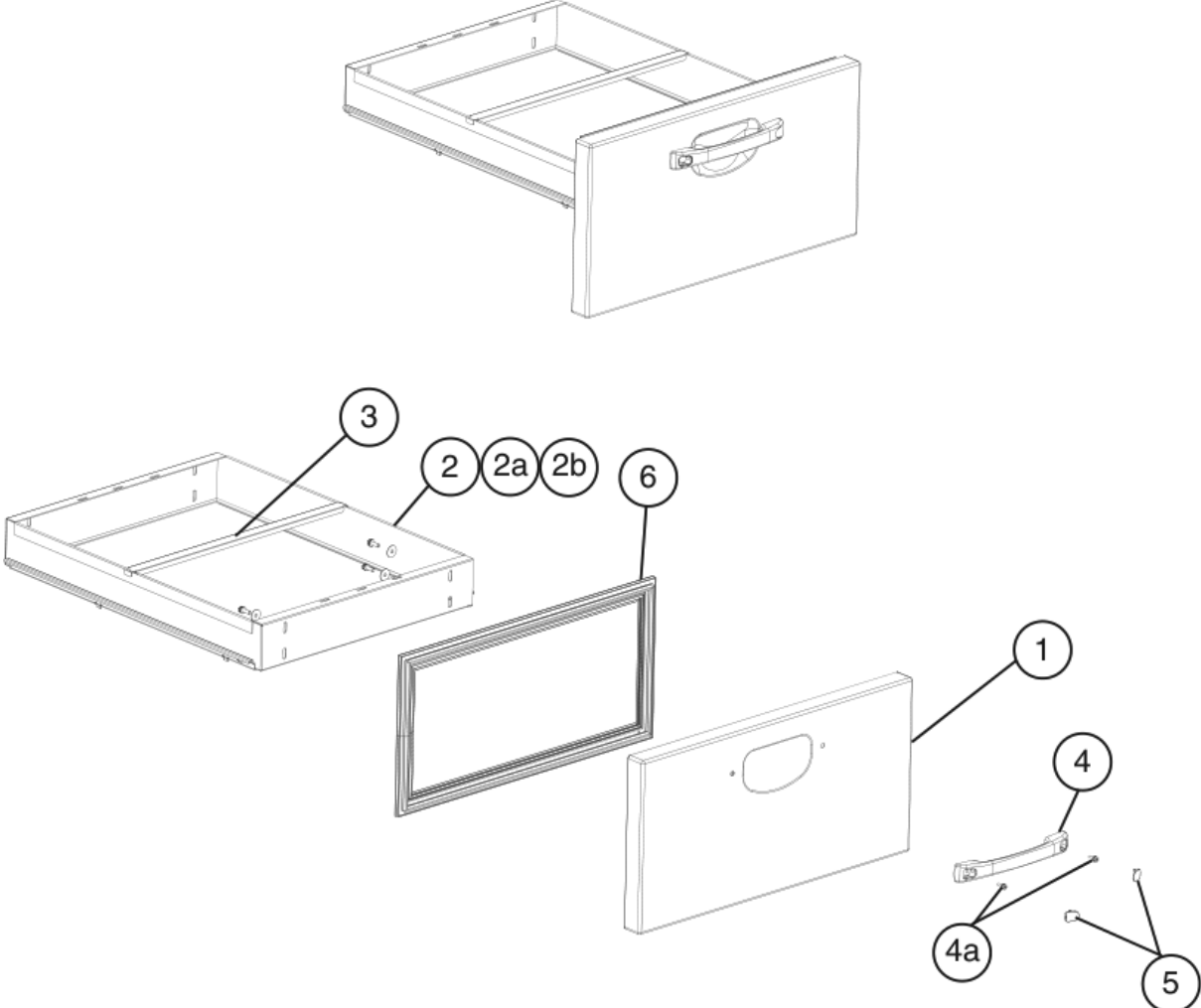
Title: F. Door Group-Left Model: HPR72A				Required Number							
Index No.	Description	Material or Model Number	Part Number	T-5 to A-5 (D)	A-5 (E) to F-5						
1	Door-Foamed (L)		2A4058G01	1	-						
			2A6062G01		1						
2	Handle		2R1744-01	1	1						
2a	Screw-Bolt	5x16, SS	449879-02	2	2						
3	Handle Cap		3R7278-01	2	2						
4	Hinge Collar		4H7429-01	1	1						
5	Door Hinge, L Bottom		332913G02	1	1						
5a	Bolt	5x16, SS	4A3181-01	4	4						
6	Door Hinge, L Top		4R1716G01	1	1						
6a	Bolt	5x16, SS	4A3181-01	4	4						
7	Door Gasket		2A3437-03	1	-						
			2A5192-04		1						
8	Keeper Lock		4A3999-01	1	1						
8a	Bolt	5x16, SS	4A3181-01	2	2						

G. Drawer Cartridge
HPR46A-D, HPR72A-D
 U-5to F-5



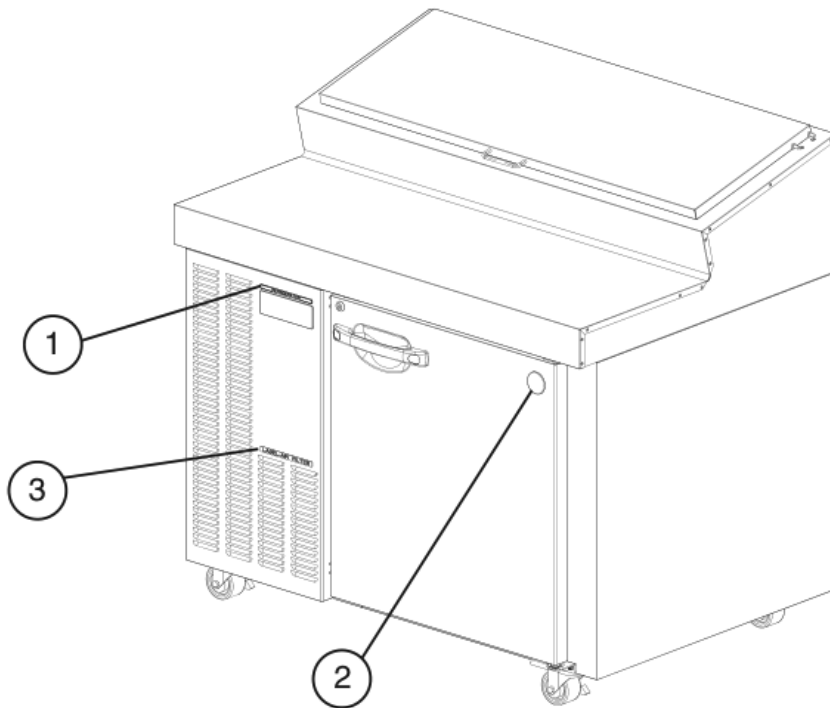
Title: G. Drawer Cartridge Model: HPR46A-D, HPR72A-D				Required Number									
Index No.	Description	Material or Model Number	Part Number	U-6 to F-5									
				U-5	F-5								
1	Hex Head Self Tapping	12x3/4, SS	7P02I1234	4	4								
2	Bolt	5x16, SS	4A3181-01	2	2								
3	Slide-Roller (R)		4A4681G01	2	-								
			3A5577-02		2								
4	Slide-Roller (L)		4A4682G01	2	-								
			3A5577-01		2								
5	Drawer Mullion		3A3580G01	1	1								
5a	Tapping Screw	3x8, SS	4A1861-01	8	8								
6	Drawer Frame		2A4098G01	1	-								
			2A5255G01		1								

H. Drawer Assembly
HPR46A-D, HPR72A-D
 T-5 to F-5



Title: H. Drawer Assembly		Model: HPR46A-D, HPR72A-D		Required Number							
Index No.	Description	Material or Model Number	Part Number	T-5 to U-6	V-5 to D-6						
1	Drawer Face (includes item 6)		2A4082G01	1	-						
			2A6069G01			1					
2	Drawer Box		2A5253G01	1	1						
2a	Washer		4A0198-01	4	4						
2b	Bolt	6x20, SS	4A1989-01	4	4						
3	Drawer Box Divider		3A3574-03	1	1						
4	Handle		2R1744-01	1	1						
4a	Screw-Bolt	5x16, SS	449879-02	2	2						
5	Handle Cap		3R7278-01	2	2						
6	Gasket		2A3437-02	1	-						
			2A5192-03			1					

J. Accessories & Labels
HPR46A(-D), HPR72A(-D)
 T-5 to F-5



Model Shown: HPR46A

Title: J. Accessories & Labels Model: HPR46A(-D), HPR72A(-D)					Required Number								
Index No.	Description	Material or Model Number	Part Number	T-5 to F-5									
1	Operation Label		3A4912-01	1									
2	Penguin Label (L)		456246-02	1									
3	Air Filter Label		426177-01	1									
4	Cutting Board Bracket		3A4890-01	2									
4a	T2 Screw	4x8, SS	7P32-0408	4									
5	Overflow Pan		4A4652-01	1									
6	Shelf Clip	HPR46A	428957-01	4									
		HPR72A		8									
7	Shelf	HPR46A	3A2830-03	1									
		HPR72A		2									
8	Nylon Tie		8911-0200	1									