



HOSHIZAKI

Parts List

Refrigerator

Model

HR15A-G

hoshizakiamerica.com

Number: HR15A-G
Issued: 02-06-2020
Revised: 02-18-2022

TABLE OF CONTENTS

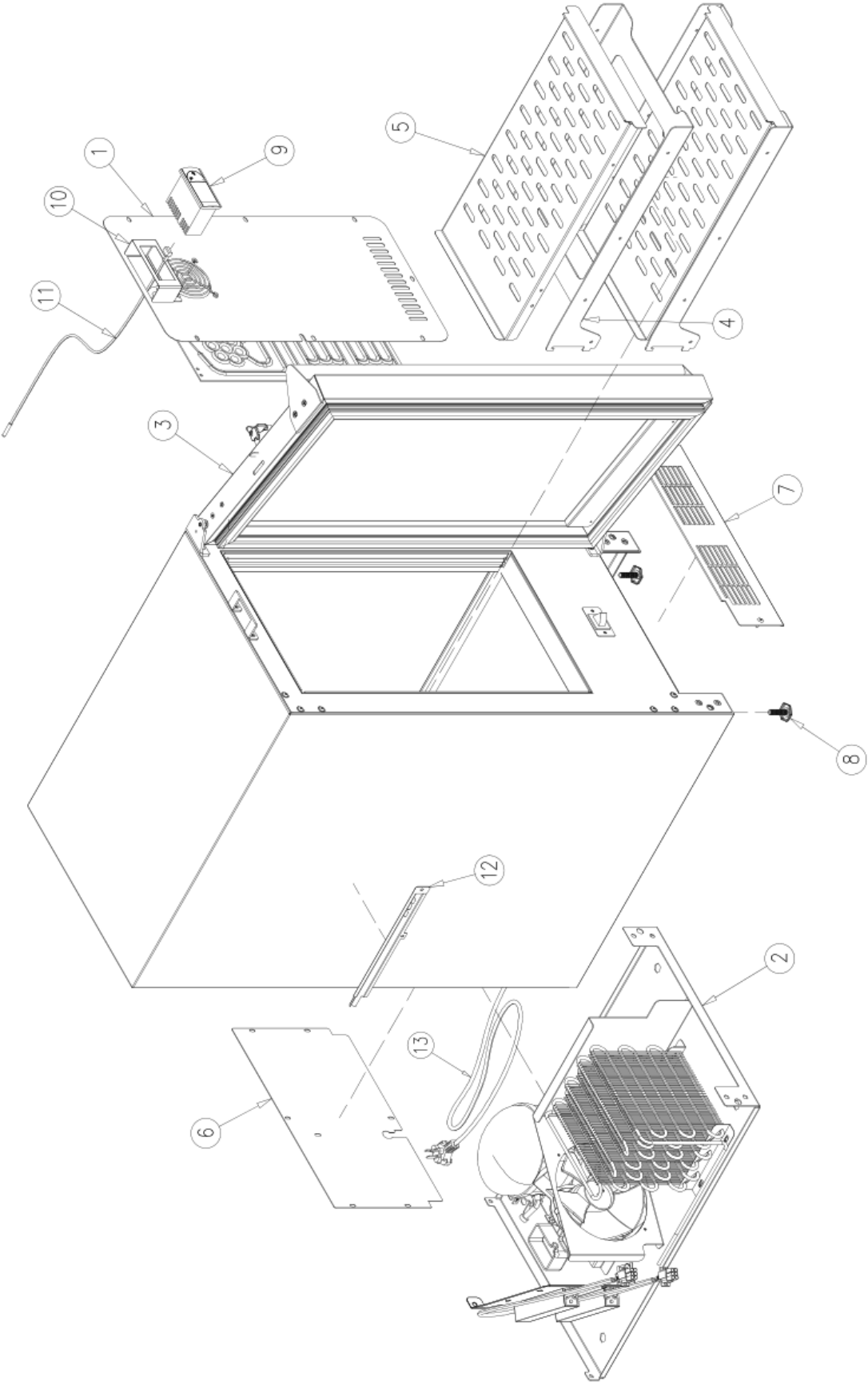
MAIN ASSEMBLY	3
EVAPORATOR ASSEMBLY	5
CONDENSING UNIT ASSEMBLY	7
DOOR ASSEMBLY.....	9
LIGHTING SYSTEM.....	11

NOTE:

To order spare parts, always include the following information:

- *Model Number* _____
- *Serial Number* _____

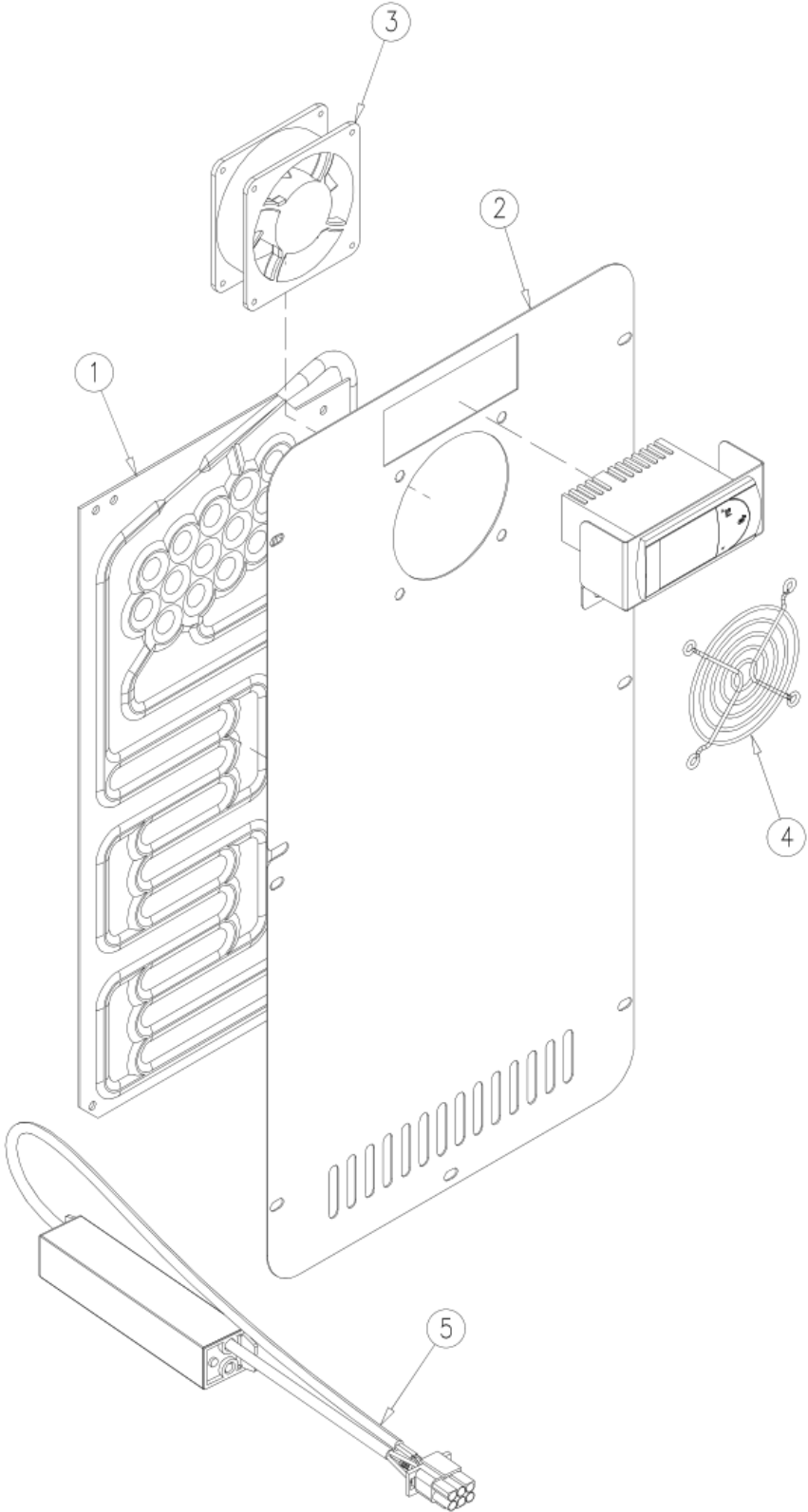
MAIN ASSEMBLY



MAIN ASSEMBLY

<i>Item No.</i>	<i>Description</i>	<i>Part No.</i>	<i>Quantity per cooler</i>
1	EVAPORATOR ASSEMBLY	See pages 5 & 6	
2	CONDENSING UNIT ASSEMBLY	OT-UN-0357	1
3	DOOR ASSEMBLY	OT-PT-0684	1
4	METAL SHELF BRACKET	OT-20913	2
5	STAINLESS STEEL SHELF	OT-20914	2
6	ACCESS COVER	OT-20953	1
7	FRONT GRILL	OT-20951	1
8	LEGS	LG-26-E	4
9	CONTROL MODULE	CT-185-CA-072	1
10	CONTROL MODULE BRACKET	OT-23033	1
11	CABINET THERMISTOR	CT-185-1-CA	1
12	SENSOR COVER	OT-23876	1
13	POWER CORD (9 ft)	OT-EL-1265-9-4784	1

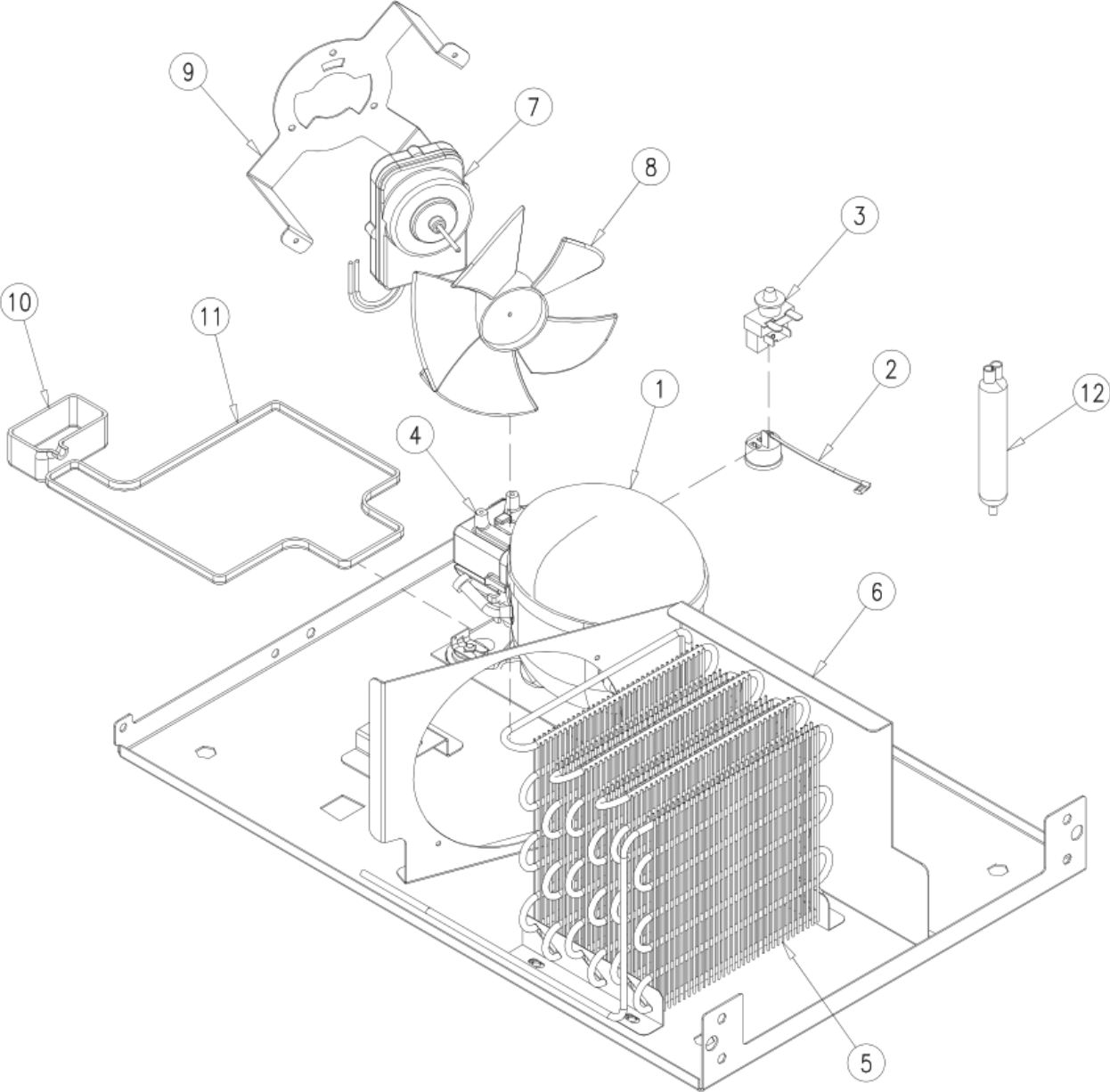
EVAPORATOR ASSEMBLY



EVAPORATOR ASSEMBLY

<i>Item No.</i>	<i>Description</i>	<i>Part No.</i>	<i>Quantity per cooler</i>
1	EVAPORATOR PLATE	CO-463	1
2	SHROUD	OT-20940	1
3	EVAPORATOR FAN MOTOR	FA-88	1
4	FAN GUARD	FA-87	1
5	FAN POWER SUPPLY	OT-EL-151-T	1

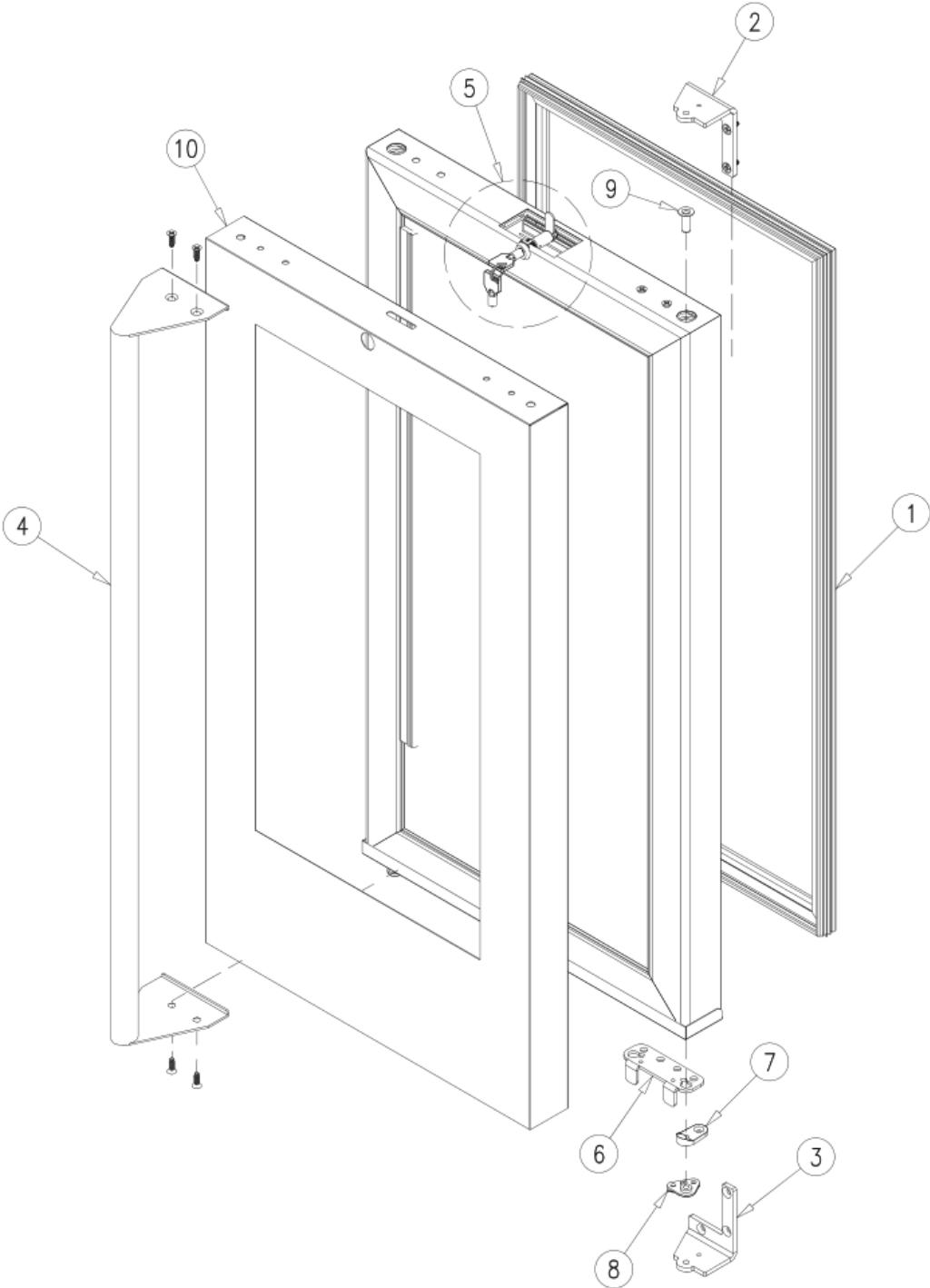
CONDENSING UNIT ASSEMBLY



CONDENSING UNIT ASSEMBLY

<i>Item No.</i>	<i>Description</i>	<i>Part No.</i>	<i>Quantity per cooler</i>
1	COMPRESSOR (115V/60HZ R600a)	HYB35MHJ42A	1
2	EXTERNAL PROTECTOR (DRB19P61A1)	EL-2135-R	1
3	PTC RELAY (QP2-4R7/QP2-4.7)	EL-2136-R	1
4	ELECTRICAL BOX	EL-2137-R	1
5	CONDENSER	CO-462	1
6	CONDENSER SHROUD	OT-21152	1
7	CONDENSER FAN MOTOR	FA-89	1
8	CONDENSER FAN BLADE	FA-90	1
9	CONDENSER FAN MOTOR BRACKET	OT-21166	1
10	EVAPORATOR TRAY A	OT-TF-1337	1
11	EVAPORATOR TRAY B	OT-TF-1336	1
12	DRIER	DR-31-P	1

DOOR ASSEMBLY



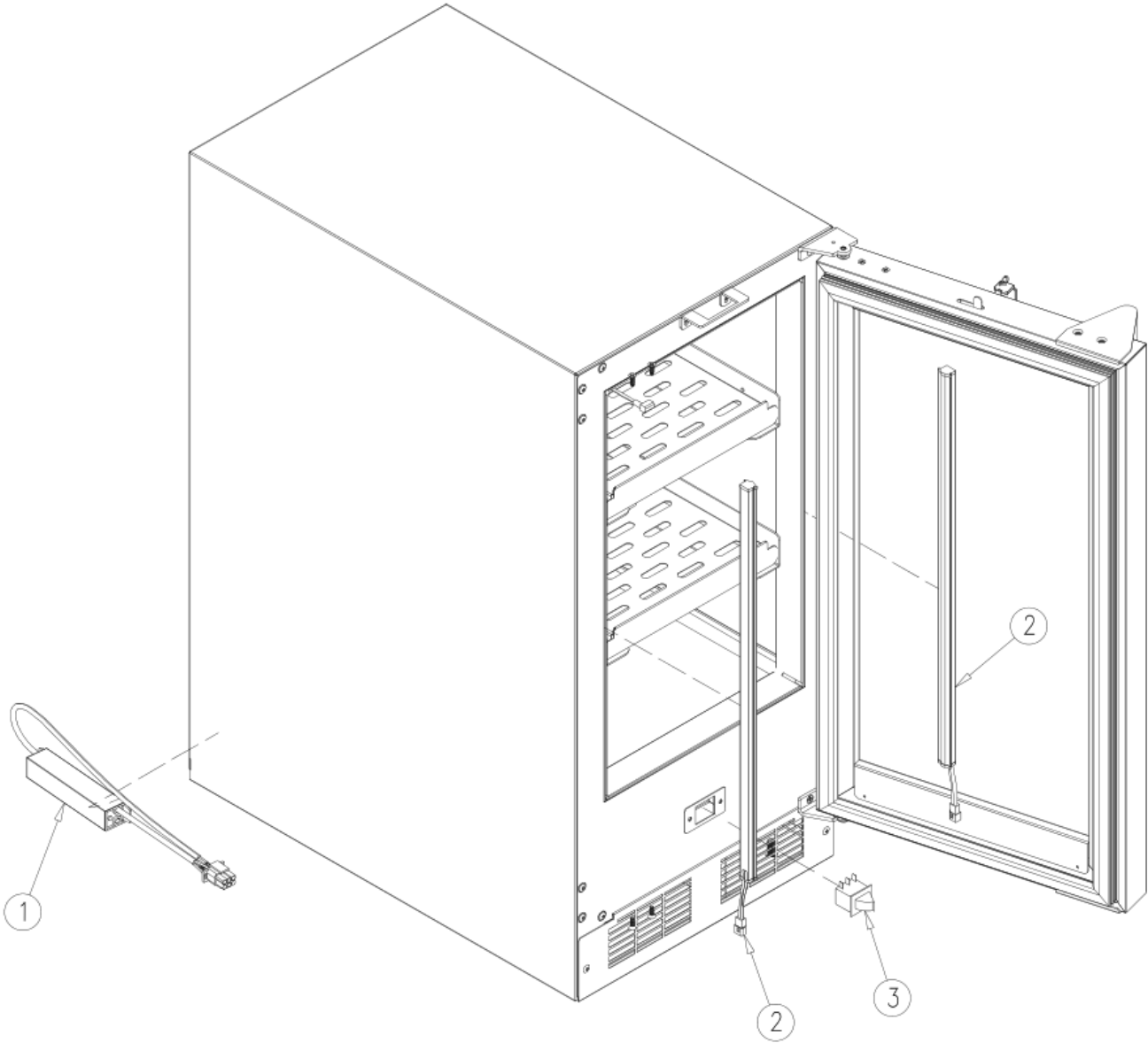
DOOR ASSEMBLY

<i>Item No.</i>	<i>Description</i>	<i>Part No.</i>	<i>Quantity per cooler</i>
1	MAGNETIC GASKET	OT-GA-900-PT-0684	1
2	UPPER HINGE ASSEMBLY	HA-616-SS-K*	1
3	LOWER HINGE ASSEMBLY	HA-617-SS-K*	1
4	DOOR HANDLE	HA-635-SS-K	1
5	KIT LOCKING SYSTEM	OT-HA-606	1
6	DOOR BRACKET	HA-618-SS*	1
7	PLASTIC CAM A	HA-601-A	1
8	PLASTIC CAM B	HA-601-B	1
9	BUSHING	BU-38-P	1
10	METAL MASK	OT-22759	1

***Parts Change With Serial Number Break**

ITEM No.	Description	Inter-changeable	Previous Component	Hoshizaki Last Serial Number and Earlier	Current Component	Hoshizaki First Serial Number and Later
2	UPPER HINGE ASSEMBLY	YES	HA-602-SS-K	J-00020(M)	HA-616-SS-K	L-00513(J)
3	LOWER HINGE ASSEMBLY	YES	HA-603-SS-K	J-00020(M)	HA-617-SS-K	L-00513(J)
6	DOOR BRACKET	YES	HA-604-SS	J-00020(M)	HA-618-SS	L-00513(J)

LIGHTING SYSTEM



LIGHTING SYSTEM

<i>Item No.</i>	<i>Description</i>	<i>Part No.</i>	<i>Quantity per cooler</i>
1	LED DRIVER	OT-EL-151-T	1
2	LED LAMP STRIP (19 1/2")	OT-EL-146-AZ	2
3	LIGHT & MOTOR FAN SWITCH	EL-112-EX	1