



HOSHIZAKI

Parts List

Refrigerator

Model

HR24C-G

hoshizakiamerica.com

Number: HR24C-G
Issued: 02-07-2020
Revised: 09-02-2025

TABLE OF CONTENTS

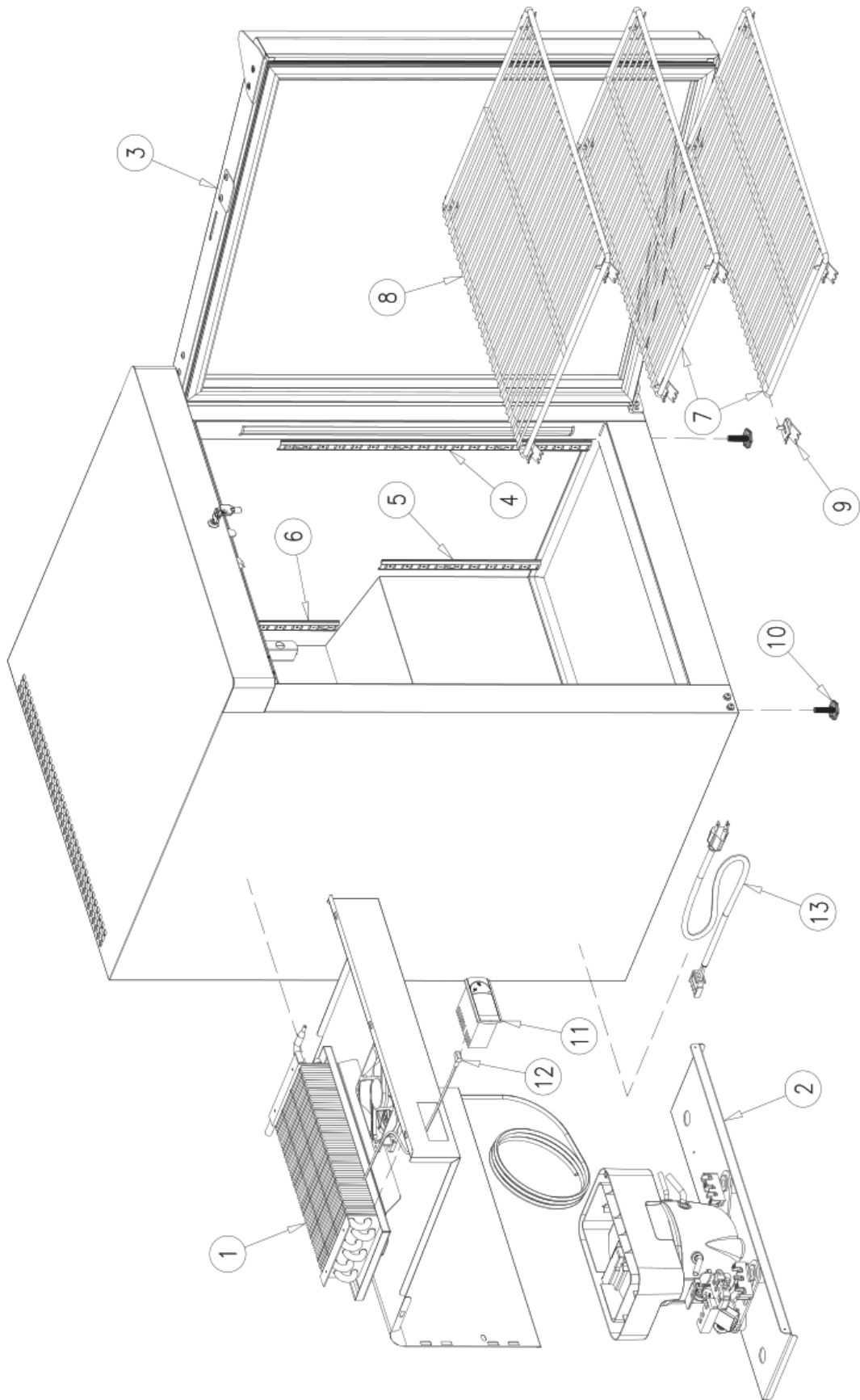
| | |
|--------------------------------|----|
| MAIN ASSEMBLY | 3 |
| EVAPORATOR ASSEMBLY | 5 |
| CONDENSING UNIT ASSEMBLY | 7 |
| DOOR ASSEMBLY | 9 |
| LIGHTING SYSTEM..... | 11 |

NOTE:

To order spare parts, always include the following information:

- *Model Number* _____
- *Serial Number* _____

MAIN ASSEMBLY

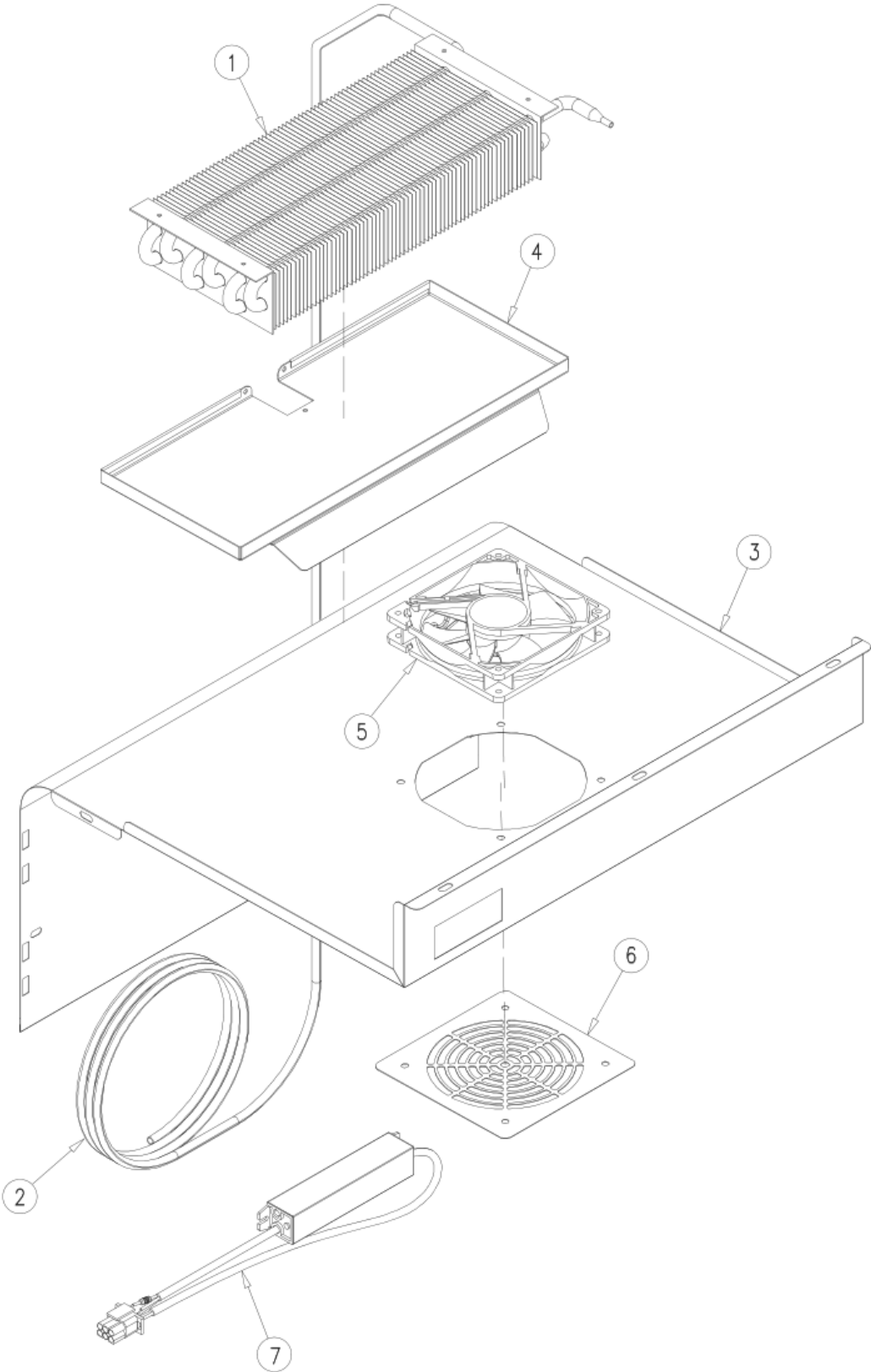


MAIN ASSEMBLY

| <i>Item No.</i> | <i>Description</i> | <i>Part No.</i> | <i>Quantity per cooler</i> |
|-----------------|--------------------------|-----------------|----------------------------|
| 1 | EVAPORATOR ASSEMBLY | OT-EV-0207 | 1 |
| 2 | CONDENSING UNIT ASSEMBLY | OT-UN-0390 | 1 |
| 3 | DOOR ASSEMBLY | OT-PT-0578 | 1 |
| 4 | PILASTER (18 15/32") | PI-74-48-469 | 2 |
| 5 | PILASTER (9 15/32") | PI-74-48-240 | 2 |
| 6 | PILASTER (8") | PI-74-48-203 | 2 |
| 7 | FLAT SHELF | SH-0555-HD-GR | 2 |
| 8 | FLAT SHELF | SH-0556-HD-GR | 1 |
| 9 | SHELF CLIPS | CL-51-SS-E | 12 |
| 10 | LEGS | LG-26-E | 4 |
| 11 | CONTROL MODULE | CT-185-CA-072 | 1 |
| 12 | CABINET THERMISTOR | CT-185-1-CA | 1 |
| 13 | POWER CORD (9 ft) | EL-1260-9 | 1 |

| *Parts Change With Serial Number Break | | | | | | |
|--|-------------|-----------------|--------------------|--|-------------------|---|
| ITEM No. | Description | Interchangeable | Previous Component | Hoshizaki Last Serial Number and Earlier | Current Component | Hoshizaki First Serial Number and Later |
| 13 | POWER CORD | YES | OT-EL-1265-9-4784 | M-00054(J) | EL-1260-9 | P-00078(C) |

EVAPORATOR ASSEMBLY



EVAPORATOR ASSEMBLY

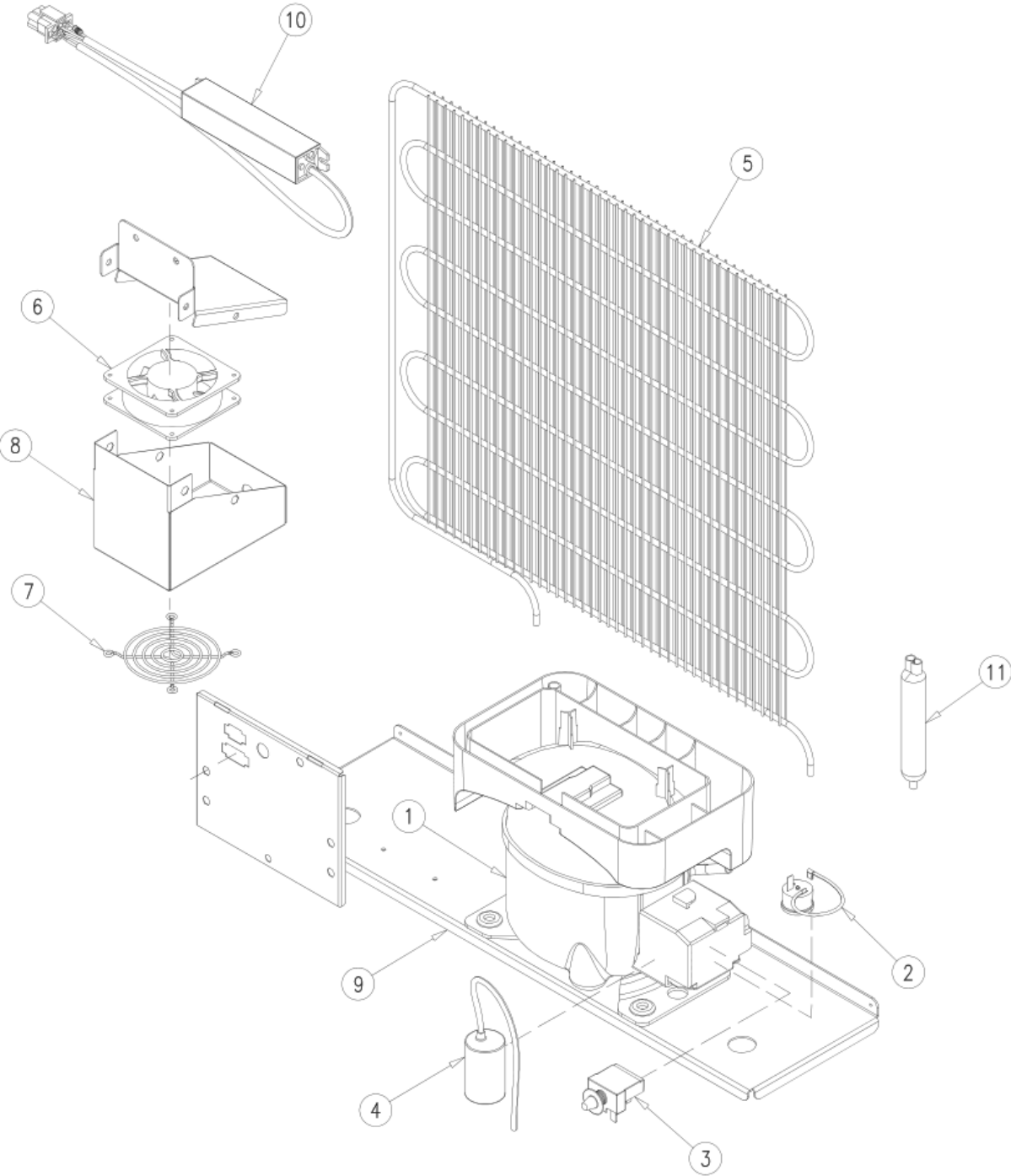
| <i>Item No.</i> | <i>Description</i> | <i>Part No.</i> | <i>Quantity per cooler</i> |
|-----------------|----------------------|-----------------|--------------------------------|
| 1 | EVAPORATOR | CO-250-I-EC | 1 |
| 2 | HEAT EXCHANGER | TUB-1190 | 1 |
| 3 | SHROUD | OT-24179 | 1 |
| 4 | EVAPORATOR PAN KIT | OT-21901* | 1 |
| 5 | EVAPORATOR FAN MOTOR | OT-FA-93-0396 | 1 |
| 6 | FAN GUARD | OT-24335 | 1 |
| 7 | FAN POWER SUPPLY | OT-EL-151-T | 1 |

* THE PART NUMBER OT-21901 (K) INCLUDES:

EVAPORATOR PAN [OT-21901](#)

EVAPORATOR PAN COMPLEMENT [OT-21912](#)

CONDENSING UNIT ASSEMBLY



CONDENSING UNIT ASSEMBLY

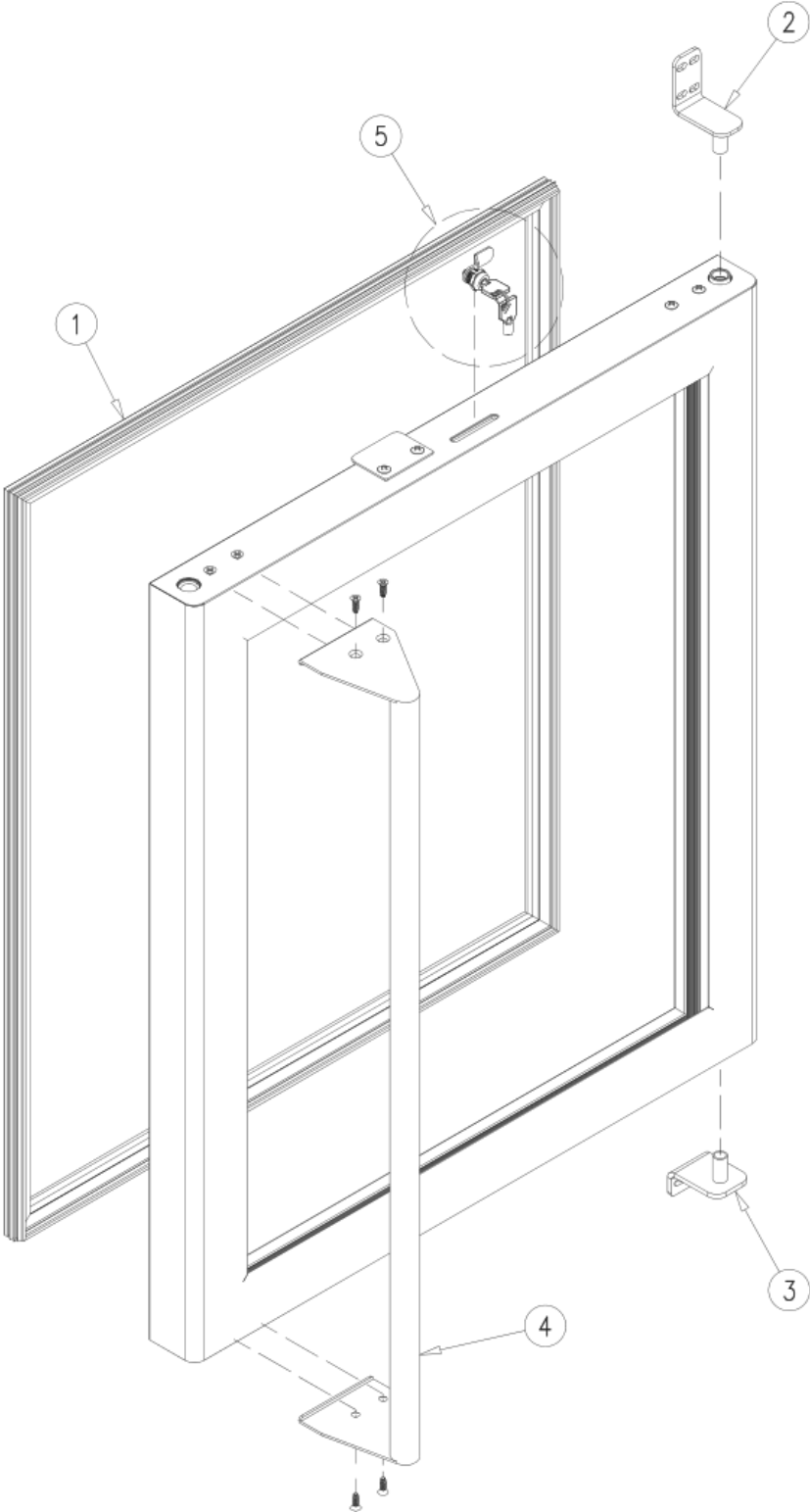
| <i>Item No.</i> | <i>Description</i> | <i>Part No.</i> | <i>Quantity per cooler</i> |
|-----------------|---------------------------------|-----------------|----------------------------|
| 1 | COMPRESSOR (115V/60HZ R600a) | HYB50MGU72A | 1 |
| 2 | EXTERNAL PROTECTOR (DRB22P61A1) | EL-2155-R | 1 |
| 3 | PTC RELAY (QP2-4R7 12A 180V) | EL-2154-R | 1 |
| 4 | RUN CAPACITOR (6μF 250V) | CAP-6-250 | 1 |
| 5 | CONDENSER | CO-468 | 1 |
| 6 | CONDENSER FAN MOTOR | FA-88 | 1 |
| 7 | FAN GUARD | FA-87 | 1 |
| 8 | CONDENSER FAN MOTOR BRACKET KIT | OT-21924* | 1 |
| 9 | CONDENSING UNIT BASE | OT-21926 | 1 |
| 10 | FAN POWER SUPPLY | OT-EL-151-T | 1 |
| 11 | DRIER | DR-31 | 1 |

* THE PART NUMBER OT-21924 (K) INCLUDES:

CONDENSER FAN MOTOR BRACKET [OT-21924](#)

CONDENSER FAN MOTOR BRACKET COMPLEMENT [OT-21925](#)

DOOR ASSEMBLY



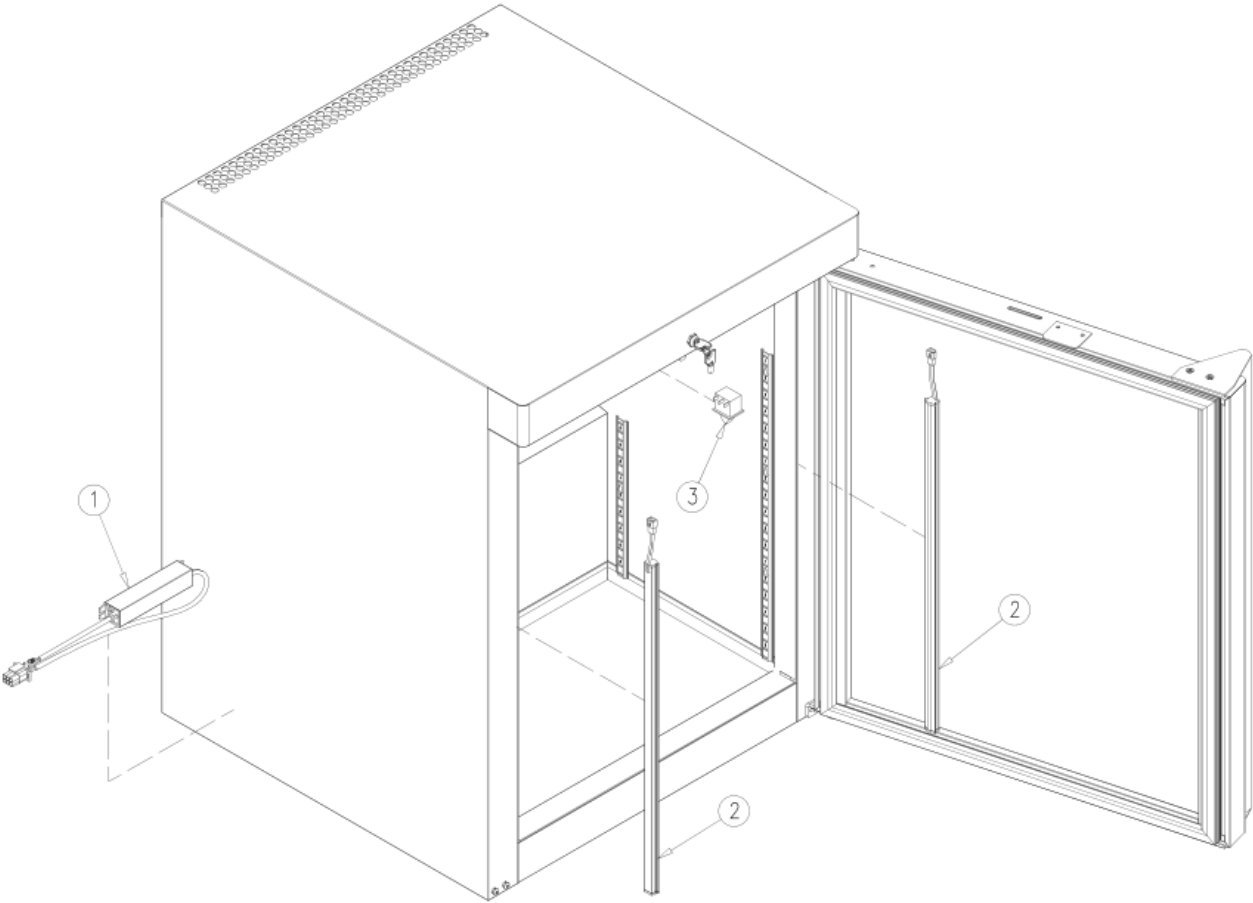
DOOR ASSEMBLY

| <i>Item No.</i> | <i>Description</i> | <i>Part No.</i> | <i>Quantity per cooler</i> |
|-----------------|----------------------|-------------------|--------------------------------|
| 1 | MAGNETIC GASKET | OT-GA-900-PT-0578 | 1 |
| 2 | UPPER HINGE ASSEMBLY | HA-614-SS-K | 1 |
| 3 | LOWER HINGE ASSEMBLY | HA-615-SS-K | 1 |
| 4 | DOOR HANDLE | HA-636-SS-K | 1 |
| 5 | LOCKING SYSTEM KIT | HA-606-1-K* | 1 |

* THE PART NUMBER HA-606-1-K INCLUDES:

LOCKING SYSTEM [HA-606](#)
SHORT LATCH BAR [OT-23077](#)

LIGHTING SYSTEM



LIGHTING SYSTEM

| <i>Item No.</i> | <i>Description</i> | <i>Part No.</i> | <i>Quantity per cooler</i> |
|-----------------|--------------------------|-----------------|--------------------------------|
| 1 | LED DRIVER | OT-EL-151-T | 1 |
| 2 | LED LAMP STRIP 19 1/2" | OT-EL-146-AZ | 2 |
| 3 | LIGHT & MOTOR FAN SWITCH | EL-112-EX | 1 |