



HOSHIZAKI

Parts List

Refrigerator

Model

HR24C

hoshizakiamerica.com

Number: HR24C
Issued: 03-26-2019
Revised: 09-02-2025

TABLE OF CONTENTS

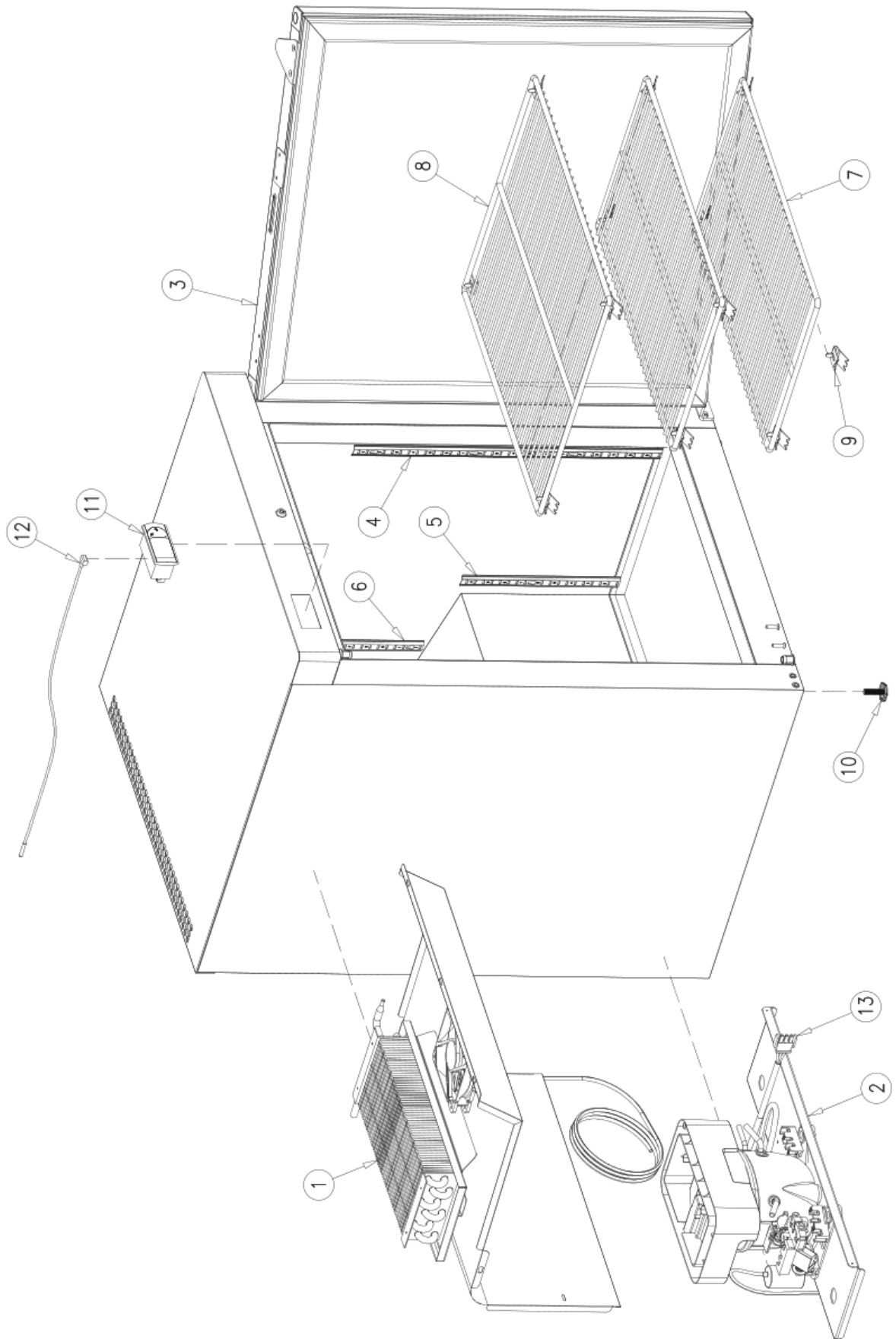
MAIN ASSEMBLY	3
EVAPORATOR ASSEMBLY	5
CONDENSING UNIT ASSEMBLY	7
DOOR ASSEMBLY	9
LIGHTING SYSTEM.....	11

NOTE:

To order spare parts, always include the following information:

- *Model Number* _____
- *Serial Number* _____

MAIN ASSEMBLY



HR24C

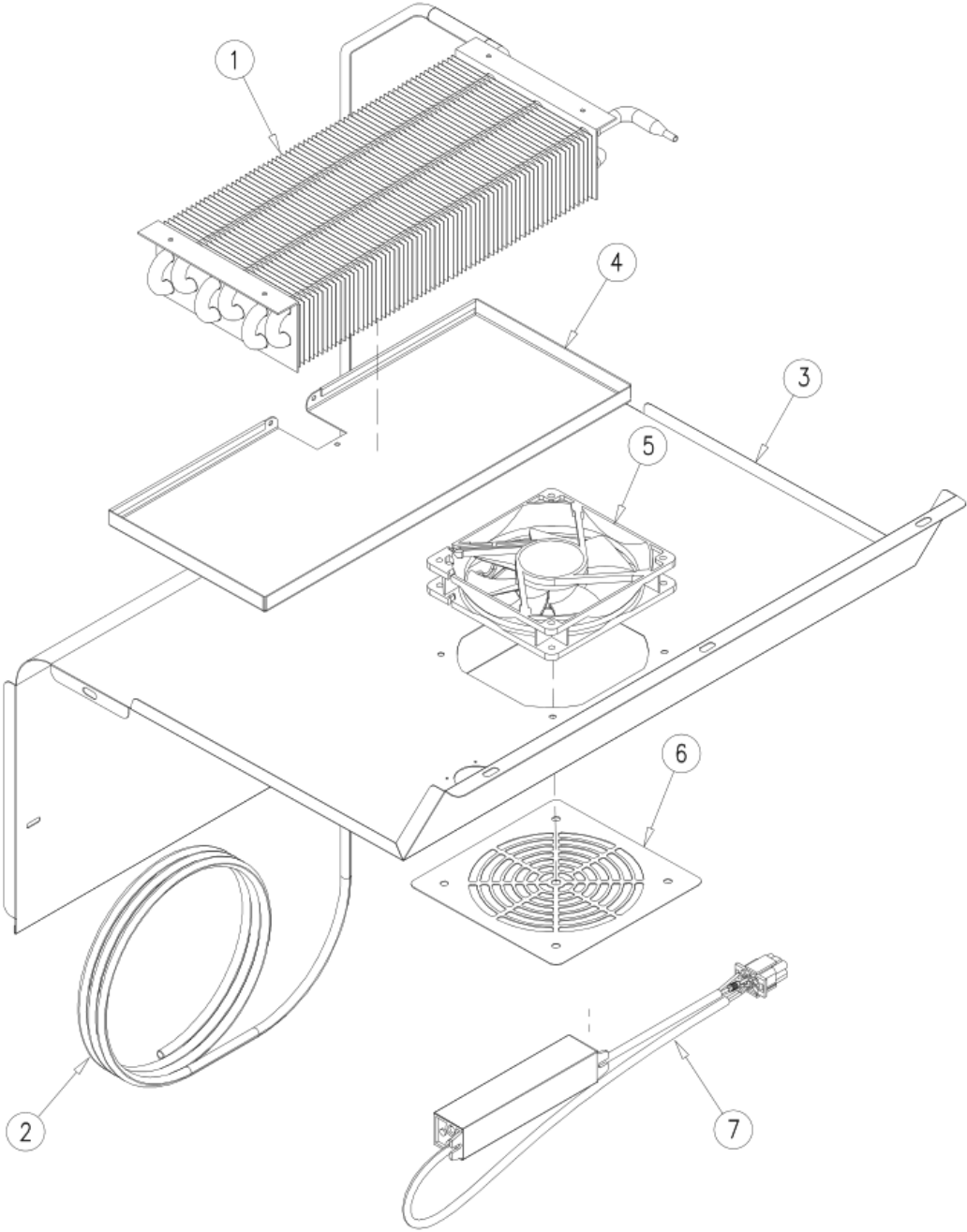
MAIN ASSEMBLY

<i>Item No.</i>	<i>Description</i>	<i>Part No.</i>	<i>Quantity per cooler</i>
1	EVAPORATOR ASSEMBLY	OT-EV-0207	1
2	CONDENSING UNIT ASSEMBLY	OT-UN-0390	1
3	DOOR ASSEMBLY	OT-PTA-0243	1
4	PILASTER (18 15/32")	PI-74-48-469	2
5	PILASTER (9 15/32")	PI-74-48-240	2
6	PILASTER (8")	PI-74-48-203	2
7	FLAT SHELF	SH-0555-HD-GR	2
8	FLAT SHELF	SH-0556-HD-GR	1
9	SHELF CLIPS	CL-51-SS-E	12
10	LEGS	LG-26-E	4
11	CONTROL MODULE	CT-195-CA-074	1
12	CABINET THERMISTOR	CT-185-1-CA	1
13	POWER CORD (9 ft)	EL-1260-9*	1

***Parts Change With Serial Number Break**

ITEM No.	Description	Interchangeable	Previous Component	Hoshizaki Last Serial Number and Earlier	Current Component	Hoshizaki First Serial Number and Later
13	POWER CORD	YES	OT-EL-1265-9-4784	N-00345(G)	EL-1260-9	N-00255(J)

EVAPORATOR ASSEMBLY



EVAPORATOR ASSEMBLY

<i>Item No.</i>	<i>Description</i>	<i>Part No.</i>	<i>Quantity per cooler</i>
1	EVAPORATOR	CO-250-I-EC	1
2	HEAT EXCHANGER	TUB-1190	1
3	BAFFLE	OT-21902	1
4	EVAPORATOR PAN KIT	OT-21901*	1
5	EVAPORATOR FAN MOTOR	OT-FA-93-0396	1
6	FAN GUARD	OT-24335**	1
7	FAN POWER SUPPLY	OT-EL-151-T	1

* THE PART NUMBER OT-21901 (K) INCLUDES:

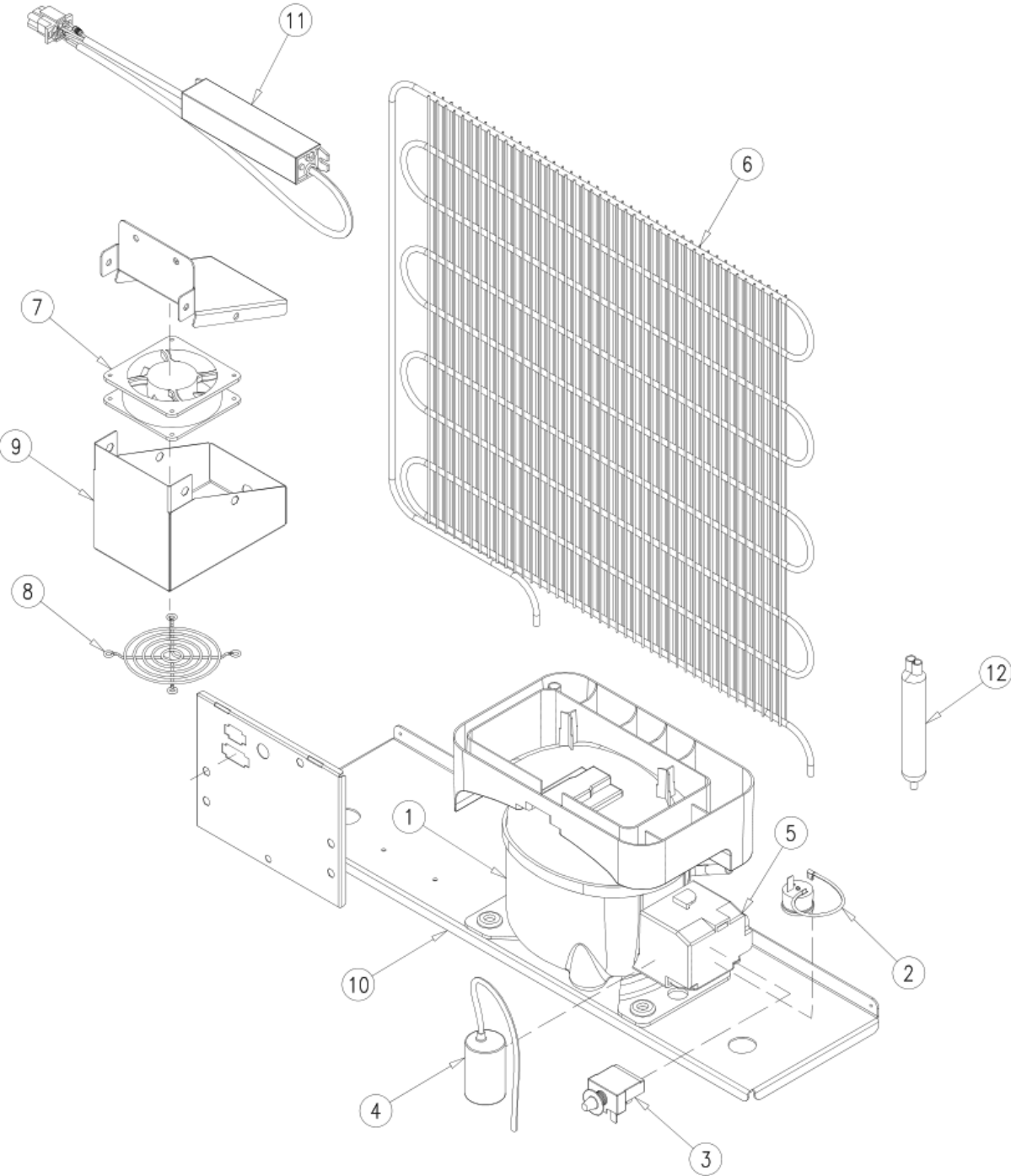
EVAPORATOR PAN [OT-21901](#)

EVAPORATOR PAN COMPLEMENT [OT-21912](#)

**Parts Change With Serial Number Break

ITEM No.	Description	Interchangeable	Previous Component	Hoshizaki Last Serial Number and Earlier	Current Component	Hoshizaki First Serial Number and Later
5	FAN GUARD	YES	FA-106	P-00196(A)	OT-24335	P-00166(H)

CONDENSING UNIT ASSEMBLY



CONDENSING UNIT ASSEMBLY

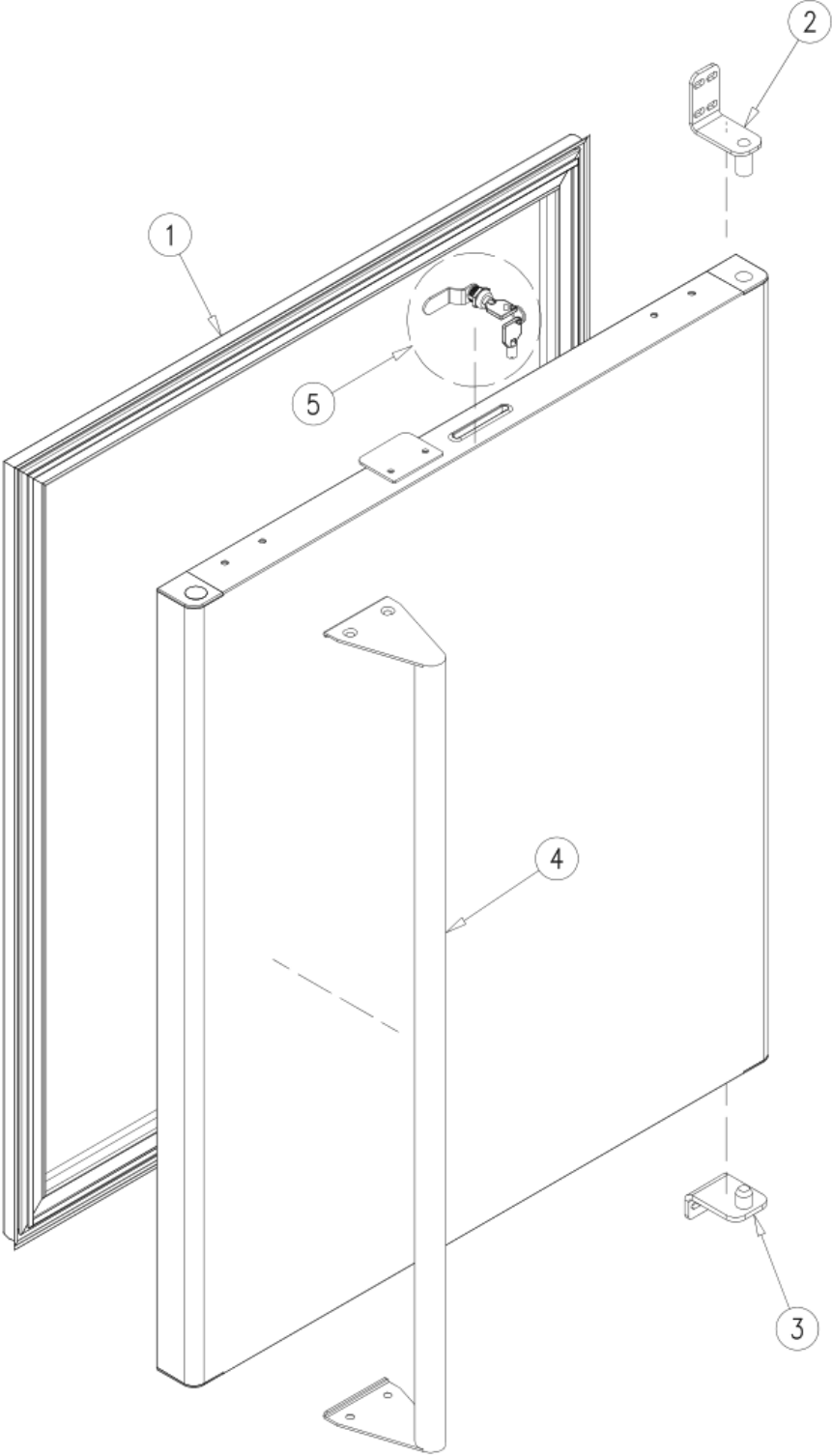
<i>Item No.</i>	<i>Description</i>	<i>Part No.</i>	<i>Quantity per cooler</i>
1	COMPRESSOR (115V/60HZ R600a)	HYB50MGU72A	1
2	EXTERNAL PROTECTOR (DRB22P61A1)	EL-2155-R	1
3	PTC RELAY (QP2-4R7 12A 180V)	EL-2154-R	1
4	RUN CAPACITOR (6μF 250V)	CAP-6-250	1
5	ELECTRICAL BOX	EL-2156-R	1
6	CONDENSER	CO-468	1
7	CONDENSER FAN MOTOR	FA-88*	1
8	FAN GUARD	FA-87	1
9	CONDENSER FAN MOTOR BRACKET KIT	OT-21924**	1
10	CONDENSING UNIT BASE	OT-21926	1
11	FAN POWER SUPPLY	OT-EL-151-T	1
12	DRIER	DR-31	1

** THE PART NUMBER OT-21924 (K) INCLUDES:

CONDENSER FAN MOTOR BRACKET [OT-21924](#)
 CONDENSER FAN MOTOR BRACKET COMPLEMENT [OT-21925](#)

*Parts Change With Serial Number Break						
ITEM No.	Description	Inter-changeable	Previous Component	Hoshizaki Last Serial Number and Earlier	Current Component	Hoshizaki First Serial Number and Later
7	CONDENSER FAN MOTOR	YES	FA-95	L-00365(E)	FA-88	L-01013(G)

DOOR ASSEMBLY



DOOR ASSEMBLY

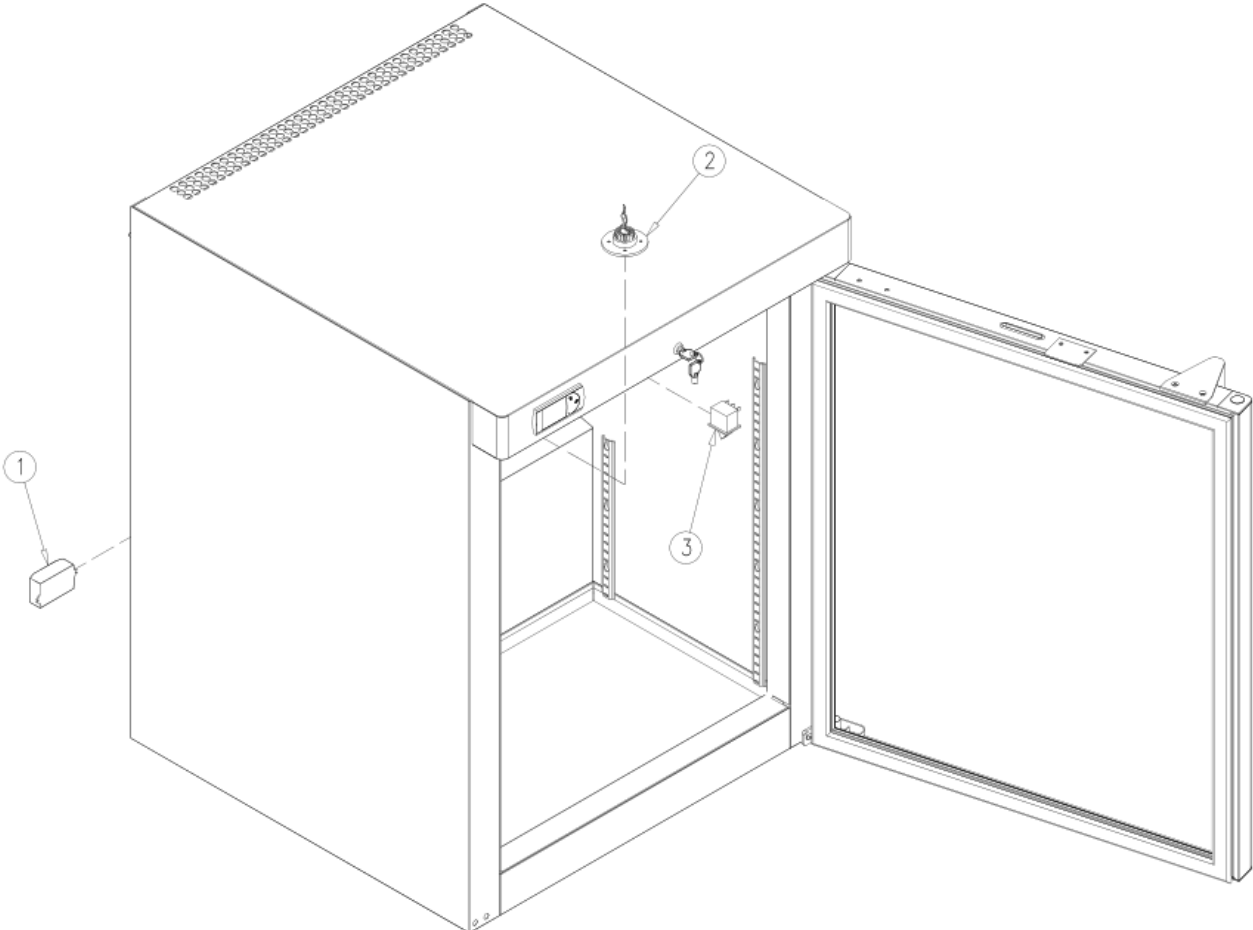
<i>Item No.</i>	<i>Description</i>	<i>Part No.</i>	<i>Quantity per cooler</i>
1	MAGNETIC GASKET	OT-GA-500-PTA-0243*	1
2	UPPER HINGE ASSEMBLY	HA-608-SS-16-K*	1
3	LOWER HINGE ASSEMBLY	HA-609-SS-16-K*	1
4	DOOR HANDLE	HA-634-SS-K	1
5	LOCKING SYSTEM KIT	HA-606-K**	1

** THE PART NUMBER HA-606-K INCLUDES:

LOCKING SYSTEM [HA-606](#)
LONG LATCH BAR [OT-21927](#)

*Parts Change With Serial Number Break						
ITEM No.	Description	Inter-changeable	Previous Component	Hoshizaki Last Serial Number and Earlier	Current Component	Hoshizaki First Serial Number and Later
1	MAGNETIC GASKET	YES	OT-GA-400-PTA-0243	L-01452(M)	OT-GA-500-PTA-0243	L-01453(M)
2	UPPER HINGE ASSEMBLY	YES	HA-608-SS-13-K	L-01452(M)	HA-608-SS-16-K	L-01453(M)
3	LOWER HINGE ASSEMBLY	YES	HA-609-SS-13-K	L-01452(M)	HA-609-SS-16-K	L-01453(M)

LIGHTING SYSTEM



LIGHTING SYSTEM

<i>Item No.</i>	<i>Description</i>	<i>Part No.</i>	<i>Quantity per cooler</i>
1	LED DRIVER	OT-EL-254	1
2	CIRCULAR LED LIGHT	EL-253	1
3	LIGHT & MOTOR FAN SWITCH	EL-112-EX	1