

Hoshizaki Optional Heated Overflow Drain Pan Kit HS-5462

For Use with Steelheart Refrigerator Series Upright Models Installation Instructions

Check to ensure that all parts are included:

Index No.	Description	Part Number	Qty
1	Heated Overflow Drain Pan	3B0185-01	1
2	Heated Overflow Drain Pan Bracket	3B0247-01	1
3	Drain Elbow (1 and 2)	4A1017-01	2
4	Vinyl Hose A (15 1/8 in. (385 mm))	7725-1923	1
5	Vinyl Hose B (68 in. (1727 mm))	7725-1923	1
6	Wire Harness (8 ft. (2 m))	4A6586-01	1
7	Self-Drilling Hex Screw	7B0311210	8
8	Nylon Tie Mount	437618-01	8
9	Nylon Tie	8911-0200	8
10	Wire Clamp	4A0809-03	1
11	Bushing	428394-01	2
12	Junction Box	3B0361-01	1
13	Wiring Label	3B0115-01	1

⚠ WARNING

- The appliance should be serviced only by qualified service personnel to reduce the risk of death, electric shock, serious injury, or fire.
- No installation or service should be undertaken until the technician has thoroughly read these instructions. Failure to follow these instructions will adversely affect safety, performance, component life and warranty coverage, and may result in costly water damage.
- To reduce the risk of electric shock, do not touch the plug with damp hands. Move the power switch to the "OFF" position, then unplug the appliance from the electrical outlet before servicing.

Installation Instructions - Repeat these instructions for second kit on 3-section models

- 1) Unplug the appliance from the electrical outlet.
- 2) Move the appliance out to access the rear of the appliance.
- 3) Remove the front, control, right side, and top panels from the appliance. See Fig. 1.
- 4) Remove the nylon tie connecting the existing drain hose to the evaporator drain pipe. Remove the existing drain hose and discard. See Fig. 2.

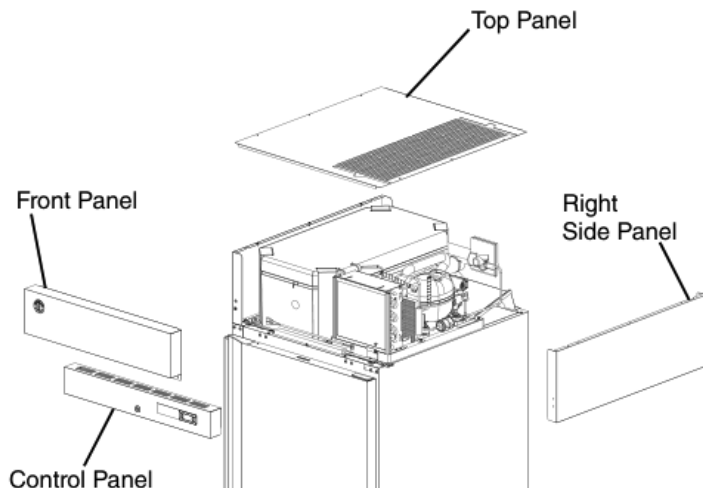


Fig. 1

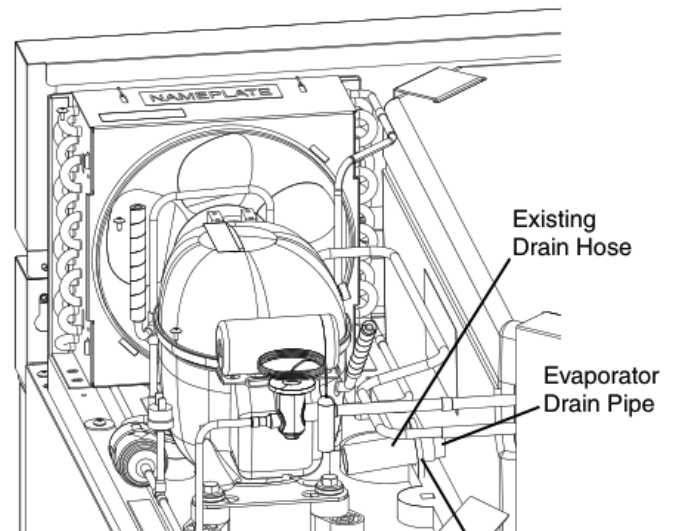


Fig. 2

Model Shown: R1A-FS

5) Connect one end of a drain elbow provided in this kit, to the evaporator drain pipe. See Fig. 3. **NOTICE! Be sure drain elbow 1 is properly positioned on the evaporator drain pipe.**

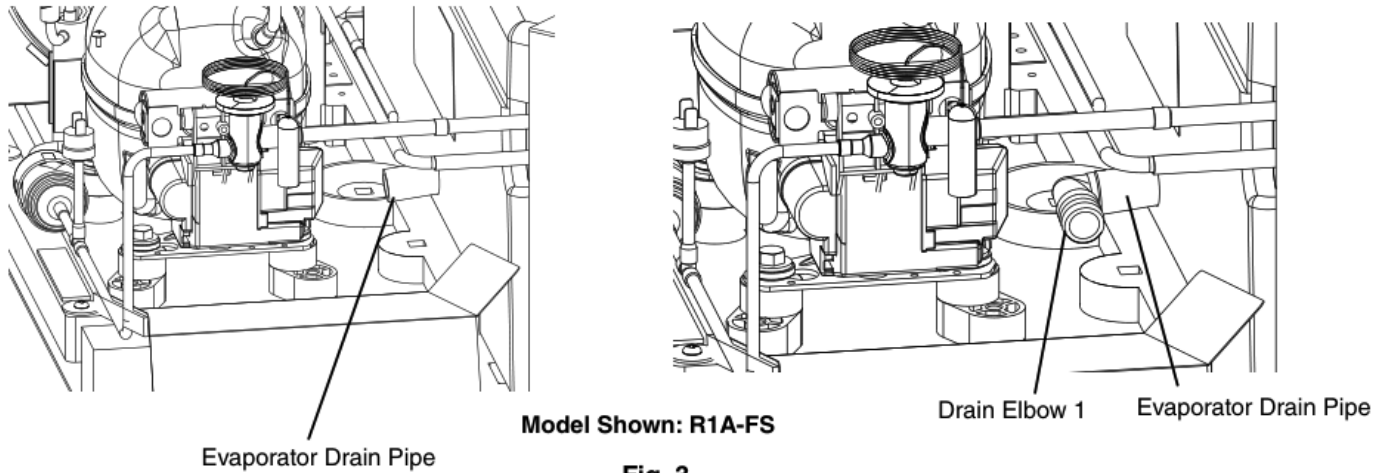
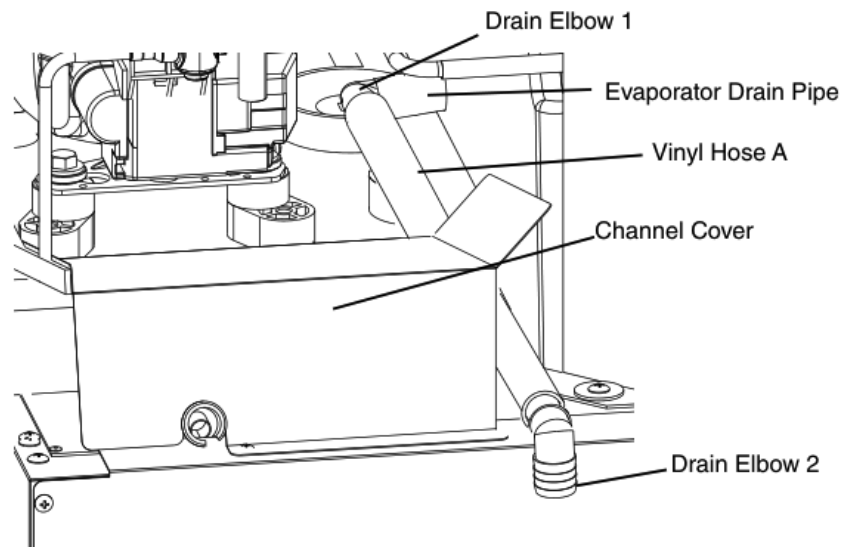


Fig. 3

6) Connect one end of vinyl hose A (15-1/8 in. (385 mm)) provided in this kit, to the open end of drain elbow 1 and route it to the back of the appliance under the channel cover. See Fig. 4.

7) Connect one end of the 2nd elbow provided in this kit, to the open end of vinyl hose A (15-1/8 in. (385 mm)). See Fig. 4. **NOTICE! Be sure drain elbow 2 is properly positioned on vinyl hose A (15-1/8 in. (385 mm)).**



Model Shown: R1A-FS

Fig. 4

8) Place the heated overflow drain pan provided in this kit, into the heated overflow drain pan bracket provided in this kit. See Fig. 5.

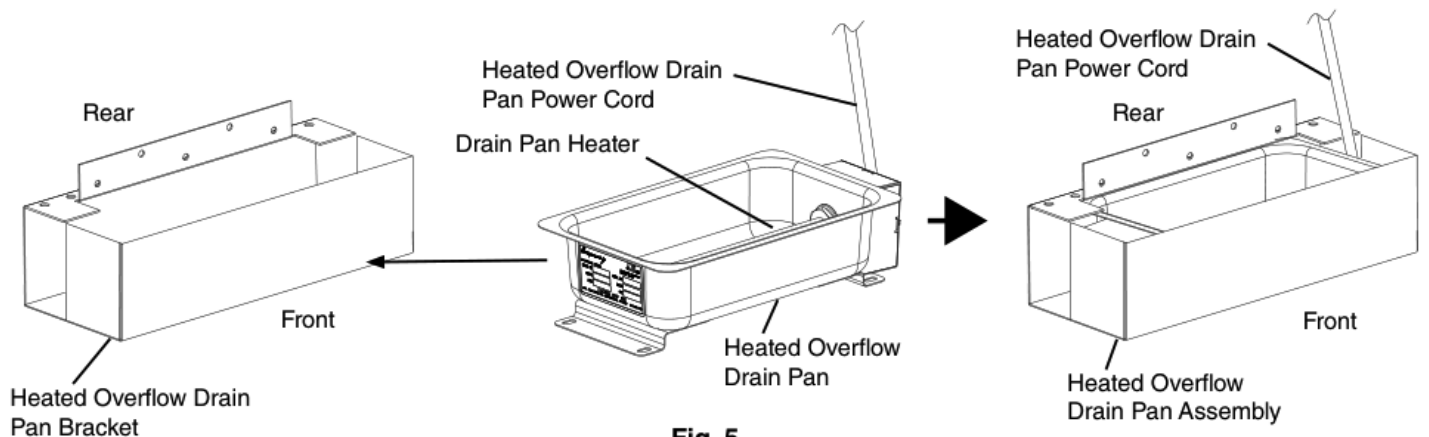


Fig. 5

9) Mount the heated overflow drain pan assembly.

1-Section and 3-Section: From the rear of the appliance, measure from the right side (and from the left side for 3-section models) of the appliance 13-3/4 in. (349 mm) and up from the bottom 1-3/4 in. (44 mm) to 2 in. (51 mm) and place a mark. See Fig. 6. Next, place the heated overflow drain pan assembly at the rear and beneath the appliance, flush to the bottom, and with the center mounting hole lined up to the mark made. See Fig. 6. Lift the heated overflow drain pan assembly flush against the rear panel of the appliance and secure using 4 of the self-drilling hex screws provided in this kit. The heated overflow drain pan power cord should be on the left side from the rear view.

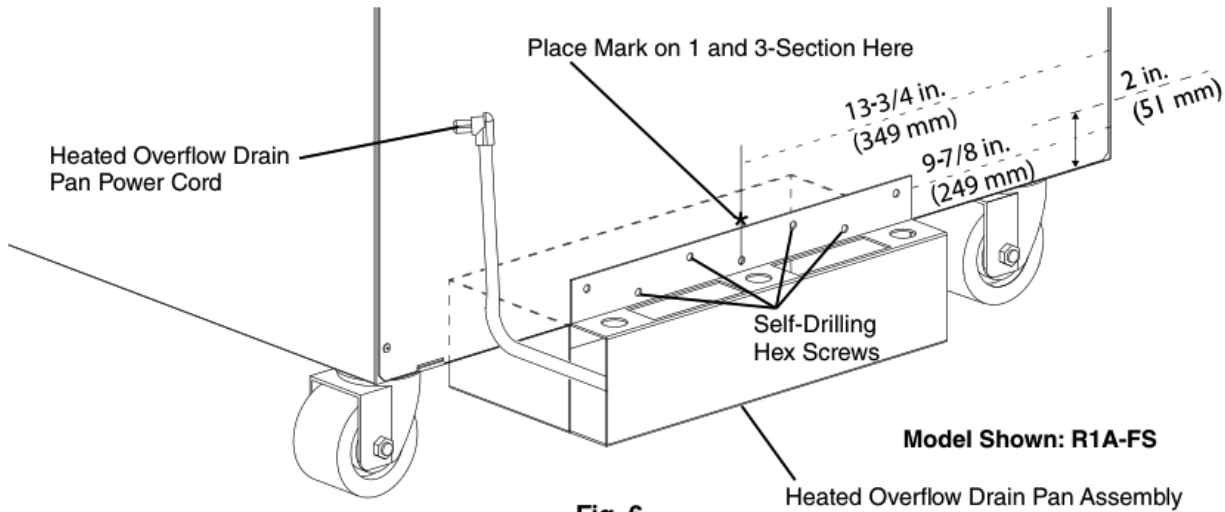


Fig. 6

2-Section: From the rear of the appliance, measure from the left side of the appliance 15-3/4 in. (400 mm) and up from the bottom 1-3/4 in. (44 mm) to 2 in. (51 mm) and place a mark. See Fig. 7. Next, place the heated overflow drain pan assembly at the rear and beneath the appliance, flush to the bottom, and with the center mounting hole lined up to the mark made. See Fig. 7. Lift the heated overflow drain pan assembly flush against the rear panel of the appliance and secure using 4 of the self-drilling hex screws provided in this kit. The heated overflow drain pan power cord should be on the left side from the rear view.

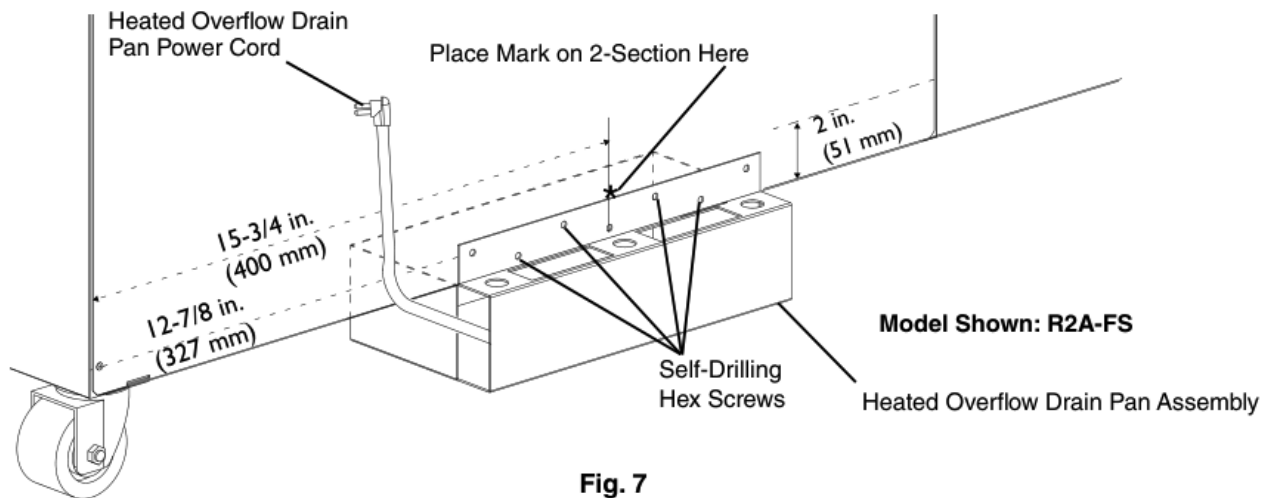


Fig. 7

10) Connect one end vinyl hose B (68 in. (1727 mm)) to the open end of drain elbow 2. See Fig. 8. Place the other end of vinyl hose B (68 in. (1727 mm)) into the heated overflow drain pan assembly as shown in Fig. 9. **NOTICE! Be sure vinyl hose B is properly positioned on drain elbow 2.**

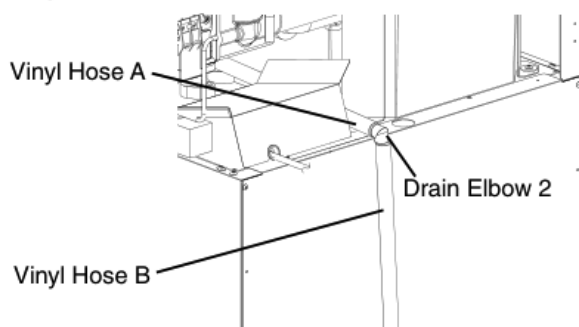


Fig. 8

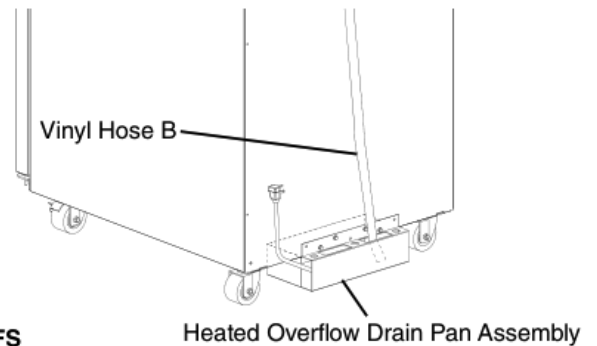
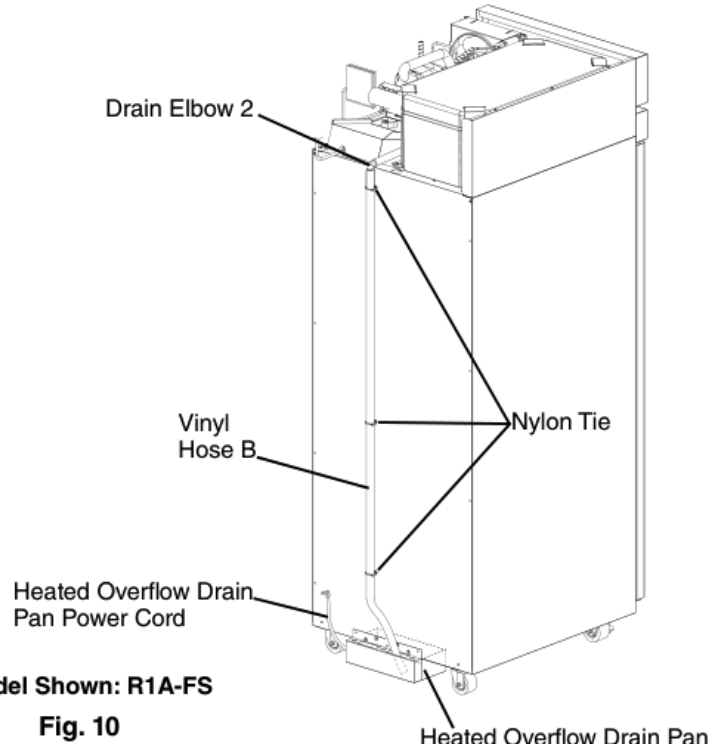
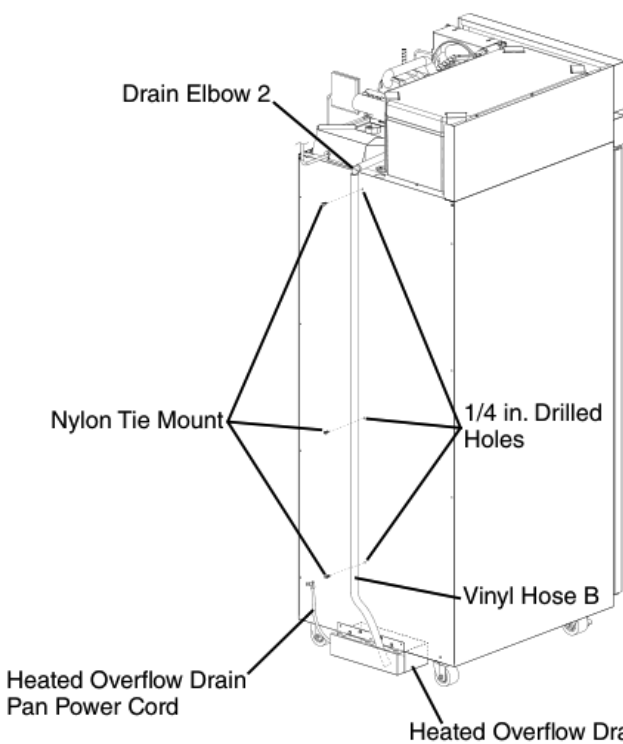


Fig. 9

- 11) Route vinyl hose B as straight as possible down the back of the appliance. Next, mark then drill three 1/4 in. holes for the nylon tie mounts. See Fig. 10. **NOTICE! Do not drill deeper than 1 in. (25 mm). Drilling deeper could penetrate the interior cabinet wall.**
- 12) Insert a nylon tie mount provided with this kit, into each hole drilled in step 11.
- 13) Route one end of a nylon tie provided with this kit, into each of the nylon tie mounts. Wrap the nylon ties around vinyl hose B. Do not tighten at this time.
- 14) Remove vinyl hose B from the heated overflow drain pan. Confirm there are no kinks in vinyl hose B, then measure vinyl hose B so that vinyl hose B extends a minimum of 1 in. (25 mm) into the heated overflow drain pan but not deep enough to touch the bottom of the heated overflow drain pan or the heating element. Once the correct amount of hose length is determined, mark the distance needed and cut vinyl hose B to that length.
- 15) Tighten the nylon ties around vinyl hose B. Be sure not to over tighten or pinch vinyl hose B.



Model Shown: R1A-FS
Fig. 10

- 16) Locate the labeled "Drain Pan Heater" wires located in the front area of the appliance. Once located, remove the factory wire connector caps and plug the wire harness wires provided in this kit, into the "Drain Pan Heater" wires. See Fig. 11. Connect the wire harness ground (GND) wire to the grounding screw on top of the cabinet. See Fig. 11. **NOTICE! Ground wire must be connected and secure.**
- 17) Route the wire harness from the front of the appliance, between the condenser and evaporator case, over vinyl hose A, and through the opening under the channel cover (if applicable). See Fig. 12.

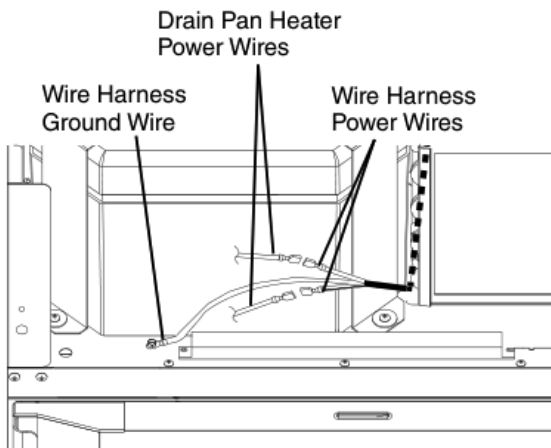


Fig. 11

Model Shown: R1A-FS

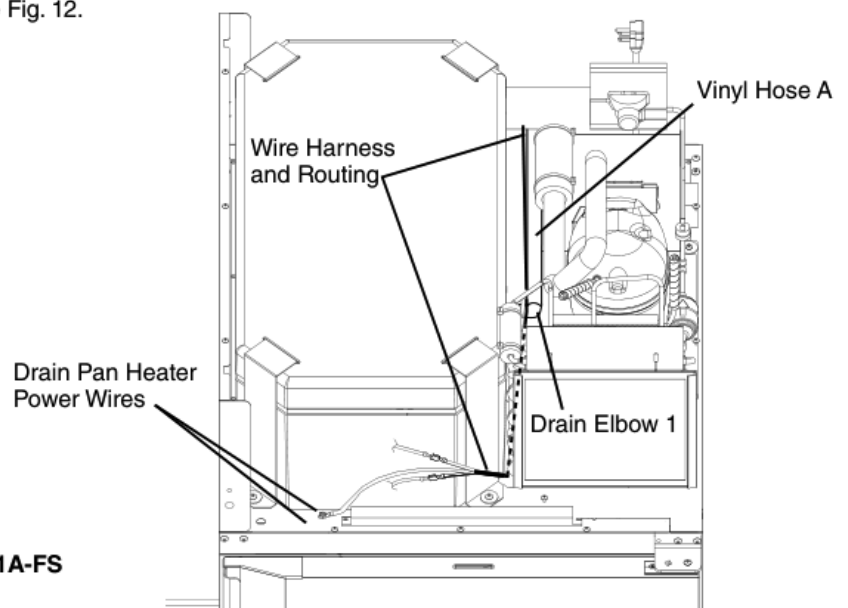
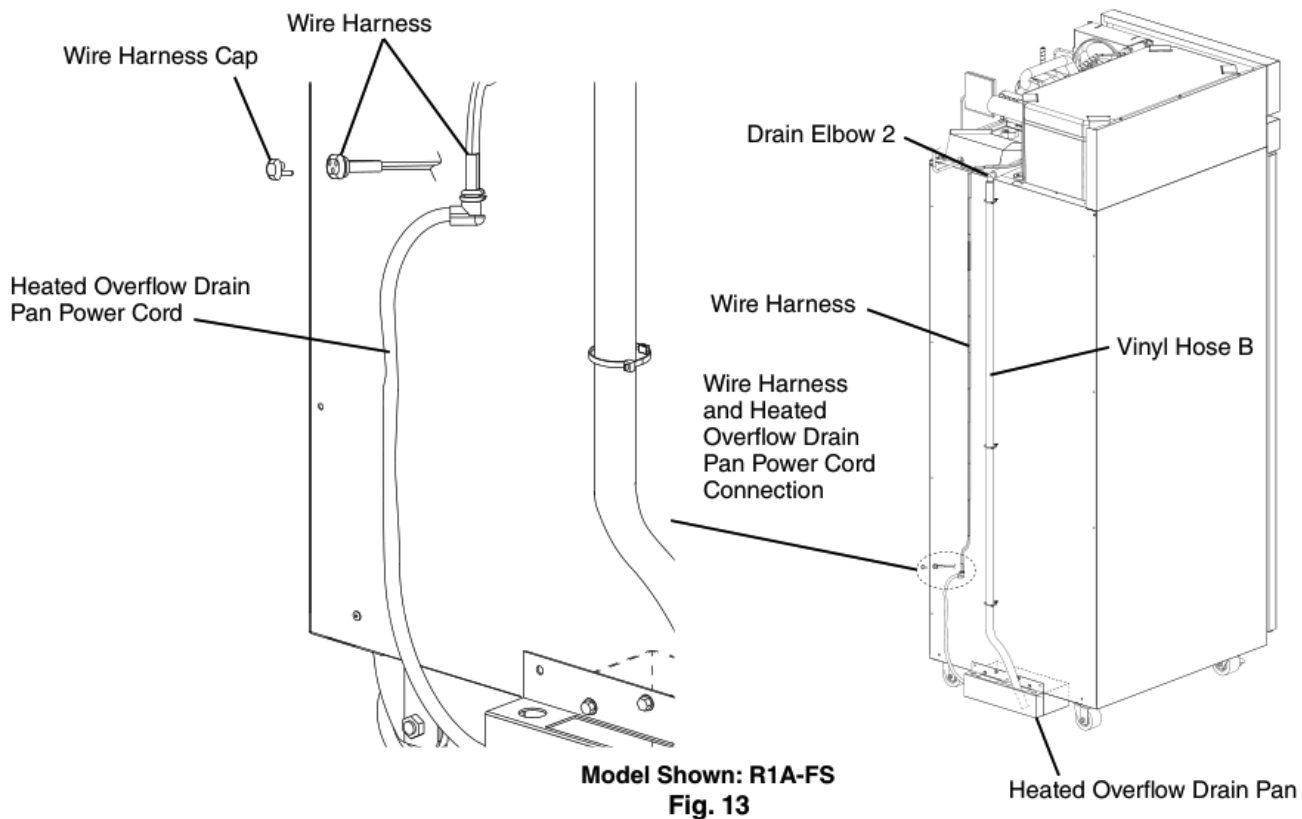
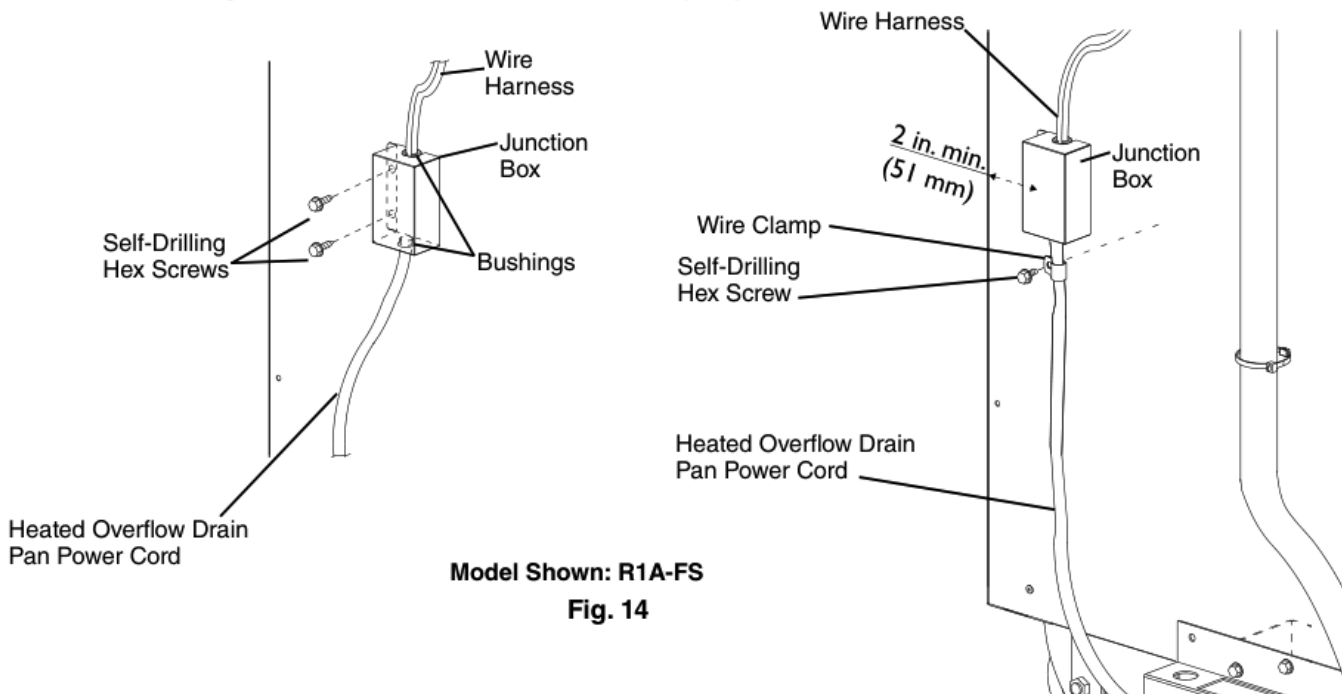


Fig. 12

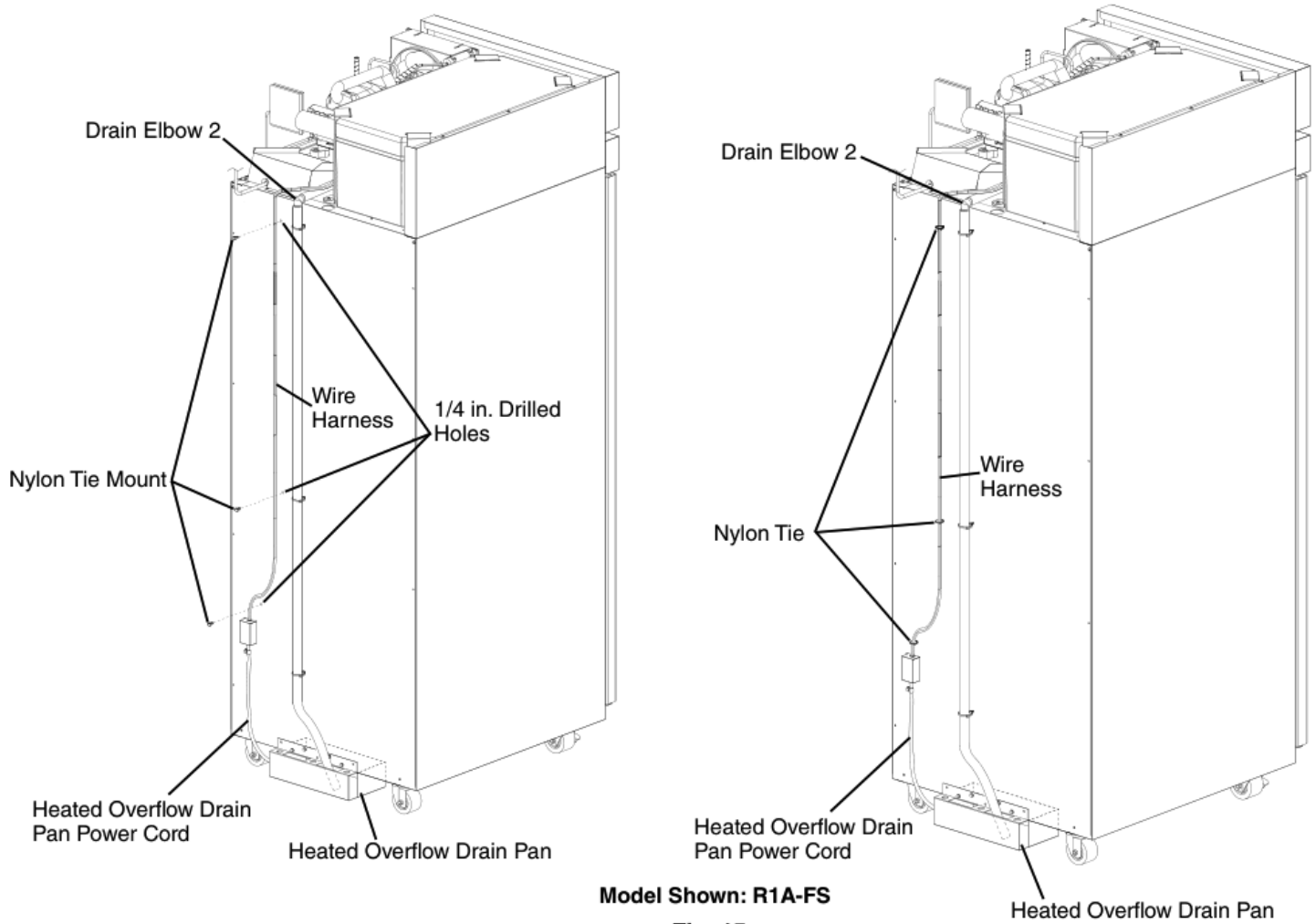
- 18) Continue routing the wire harness down the back of the appliance. Next, remove the wire harness cap from wire harness female connector, then plug the heated overflow drain pan power cord into the wire harness female connector. See Fig. 13.



- 19) Place 1 bushing provided in this kit, on the wire harness and the other bushing on the heated overflow drain pan power cord. Next, place the connection between the heated overflow drain pan power cord and the wire harness female connector in the junction box provided in this kit, then snap the bushings into the top and bottom openings of the junction box.
- 20) Raise the junction box until the overflow drain pan power cord is tight with no slack, then place against the appliance no less than 2 in. (51 mm) from the side of the appliance.
- 21) Level the junction box, then secure to the appliance using the self-drilling hex screws provided in this kit. See Fig. 14.
- 22) Route the excess wire harness wire from the junction box to the front area of the appliance. Coil the excess wire harness wires, then secure with nylon tie. Be sure wire harness wires are clear of moving objects.
- 23) Secure the heated overflow drain pan power supply cord to the appliance, using the self-drilling hex screw and wire clamp provided in this kit. See Fig. 14. **Notice! Confirm the overflow drain pan power cord and the wire harness are free of obstructions.**



- 24) Place three marks as shown in Fig. 15, then drill three 1/4 in. holes for the nylon tie mounts. **NOTICE! Do not drill deeper than 1 in. (25 mm). Drilling deeper could penetrate the interior cabinet wall.**
- 25) Insert a nylon tie mount provided with this kit, into each hole drilled in step 24. Next, route one end of a nylon tie provided with this kit, into each of the nylon tie mounts, then wrap the nylon ties around wire harness and tighten.



- 26) Replace the panels in their correct positions.
- 27) Place the wiring label provided with this kit, over the existing wiring label.
- 28) Move the appliance back to its original position. Ensure that the heated overflow drain pan assembly does not make contact with the back wall or another surface. Plug the appliance into the electrical outlet.