



# HOSHIZAKI

## Parts List

Professional Series

Refrigerated Kitchen Equipment  
Models

Undercounter, Worktop

HU\_40A(-D), HU\_68A(-D), HUR96A(-D)

HW\_40A(-D), HW\_68A(-D), HW96A(-D)



[hoshizakiamerica.com](http://hoshizakiamerica.com)

Number: 71234  
Issued: 2-11-2005  
Revised: 1-24-2020

## CONTENTS

Auxiliary Codes.....	3
Undercounter Model Names.....	6
A. Main Assembly .....	7
HU_40A(-D), HW_40A(-D).....	7
HU_68A(-D), HW_68A(-D).....	9
H_R96A(-D) .....	11
B. Refrigeration Circuit.....	13
H_R40A(-D), H_F40A(-D), H_R68A(-D), H_R96A(-D).....	13
H_F68A(-D).....	15
C. Control Box Assembly .....	17
D. Door-Right Hinged .....	18
E. Door-Left Hinged .....	20
F. Drawer.....	22
G. Accessories & Labels.....	24

## Auxiliary Codes

# 40

### Refrigerator

#### **HUR40A**

N-6 August 2003  
P-5 March 2004  
Q-5 December 2004  
S-5 March 2007  
S-6 August 2007  
T-5 March 2008  
U-5 September 2009  
V-5 January 2010  
A-5 January 2011  
B-5 March 2012  
C-5 May 2013  
D-5 October 2014  
E-5 January 2015  
E-6 July 2015  
F-5 March 2016  
G-5 February 2017

#### **HUR40A-D**

R-5 December 2006  
S-5 June 2007  
T-5 September 2008  
T-6 December 2008  
U-5 April 2009  
V-5 February 2010  
A-5 February 2011  
B-5 June 2012  
C-5 February 2013  
D-5 March 2014  
E-5 February 2015  
E-6 July 2015  
F-5 February 2016

#### **HWR40A**

Q-5 August 2005  
R-5 May 2006  
S-5 July 2007  
S-6 August 2007  
V-5 April 2010  
V-6 November 2010  
A-5 February 2011  
B-5 February 2012  
C-5 February 2013  
E-5 February 2015  
E-6 July 2015  
F-5 March 2016

#### **HWR40A-D**

S-5 January 2007  
T-6 November 2008  
U-5 October 2009  
V-5 June 2010  
A-5 February 2011  
B-5 August 2012  
C-5 February 2013  
D-5 March 2014  
E-6 July 2015

# 68

## Refrigerator

### **HUR68A**

N-6 August 2003  
P-5 March 2004  
Q-5 April 2005  
R-5 December 2005  
S-5 January 2007  
S-6 August 2007  
T-5 January 2008  
T-6 November 2008  
U-5 February 2009  
V-5 January 2010  
A-5 May 2011  
D-5 April 2014  
E-6 September 2015  
F-5 February 2016  
G-5 February 2017

### **HUR68A-D**

R-5 December 2006  
S-6 October 2007  
T-5 March 2008  
U-5 June 2009  
V-5 February 2010  
A-5 March 2011  
B-5 February 2012  
D-5 April 2014  
E-5 January 2015  
E-6 September 2015  
F-5 January 2016

### **HWR68A**

Q-5 August 2005  
Q-6 September 2005  
R-5 January 2006  
S-5 January 2007  
S-6 August 2007  
T-5 August 2008  
U-5 February 2009  
V-5 January 2010  
A-5 February 2011  
C-5 January 2013  
D-5 March 2014  
E-5 February 2015  
E-6 September 2015  
F-5 May 2016

### **HWR68A-D**

R-5 December 2006  
S-6 September 2007  
T-5 March 2008  
T-6 November 2008  
U-5 February 2009  
V-5 February 2010  
A-5 July 2011  
B-5 February 2012  
C-5 February 2013  
E-5 February 2015  
E-6 December 2015  
F-5 July 2016  
G-5 January 2017

# 96

## Refrigerator

### **HUR96A**

R-5 February 2006  
S-5 July 2007  
T-5 September 2008  
T-6 December 2008  
U-5 January 2009  
V-5 March 2010  
A-5 March 2011  
B-5 February 2012  
C-5 February 2013  
E-6 July 2015

### **HUR96A-D**

R-5 February 2006  
U-6 January 2009  
V-5 March 2010  
E-6 August 2015

### **HWR96A**

R-5 February 2006  
T-6 April 2008  
U-5 October 2009  
V-5 March 2010  
A-0 February 2011  
A-5 March 2011  
B-5 October 2012  
C-5 March 2013  
D-5 June 2014  
E-6 October 2015

### **HWR96A-D**

E-5 February 2015  
E-6 December 2015  
F-5 July 2016  
G-5 January 2017

# 40

## Freezers

### HUF40A

N-6 August 2003  
 P-5 March 2004  
 R-5 March 2006  
 S-5 January 2007  
 S-6 August 2007  
 T-5 March 2008  
 U-5 October 2009  
 V-6 June 2010  
 C-5 February 2013  
 E-5 February 2015  
 E-6 July 2015  
 F-5 March 2016

### HUF40A-D

R-5 January 2006  
 S-5 January 2007  
 S-6 August 2007  
 T-5 March 2008  
 U-5 March 2009  
 V-6 February 2011  
 A-5 March 2011  
 C-5 Apr; 2013  
 D-5 February 2014  
 D-6 October 2014  
 E-5 March 2015  
 E-6 July 2015  
 F-5 January 2016

### HWF40A

Q-5 August 2005  
 S-5 March 2007  
 S-6 November 2007  
 T-5 August 2008  
 U-5 September 2009  
 V-6 August 2010  
 A-5 January 2011  
 B-5 February 2012  
 C-5 January 2013  
 D-5 May 2014  
 E-6 July 2015  
 F-5 February 2016

### HWF40A-D

T-5 August 2008  
 U-6 November 2009  
 V-6 November 2010  
 A-5 April 2011  
 B-5 January 2012  
 C-5 February 2013  
 F-5 March 2016  
 G-5 January 2017

# 68

## Freezers

### HUF68A

N-6 August 2003  
 P-5 March 2004  
 Q-5 May 2005  
 S-5 December 2007  
 T-6 November 2008  
 U-5 March 2009  
 V-5 March 2010  
 A-5 January 2011  
 B-5 February 2012  
 C-5 January 2013  
 D-5 March 2014  
 E-6 July 2015  
 F-5 May 2016

### HUF68A-D

T-5 August 2008  
 V-5 June 2010  
 A-5 February 2011  
 C-5 February 2013  
 F-5 January 2016

### HWF68A

Q-5 August 2005  
 Q-6 November 2005  
 R-5 December 2005  
 S-5 April 2007  
 S-6 October 2007  
 T-6 November 2008  
 U-5 March 2009  
 V-5 May 2010  
 A-5 March 2011  
 B-5 February 2012  
 C-5 January 2013  
 D-5 Jun 2014  
 E-5 April 2015  
 F-5 February 2016

### HWF68A-D

T-5 August 2008  
 A-5 January 2011  
 B-5 August 2012  
 C-5 March 2013  
 D-5 August 2014  
 E-6 August 2015  
 F-5 March 2016

## Auxiliary Code Breakdown

The auxiliary code is the first two characters in the serial number. The first character indicates the year. Years progress or regress in alphabetical order. The series runs from "A" through "V" and the letters "I" and "O" are skipped. The second character indicates significant part changes within a year. Base is "5" and this number advances for each change. In cases where there is a letter in parentheses, this designates the month. This is the last character in the serial number. The series runs from "(A)" through "(M)" and the letter "(I)" is skipped. This designation is only included when identifying a parts change within an auxiliary code.

## Note About Ordering Parts

Most assemblies cannot be ordered as complete units; parts in the assemblies generally must be ordered separately.

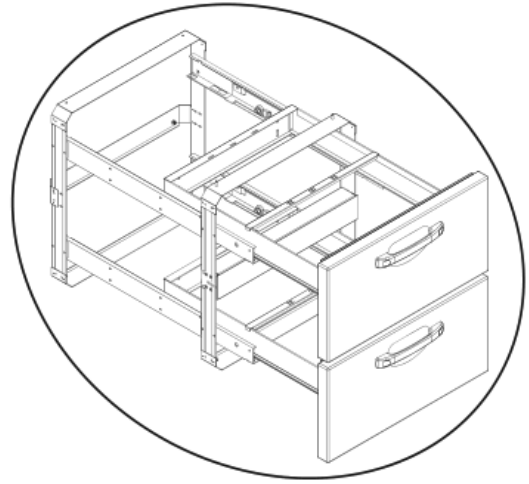
## Undercounter Model Names

The undercounters covered in this parts list initially had different model names. If you have a unit with an auxiliary code of N-6 and a serial number ending in "H", refer to the parts listed under the current model name.

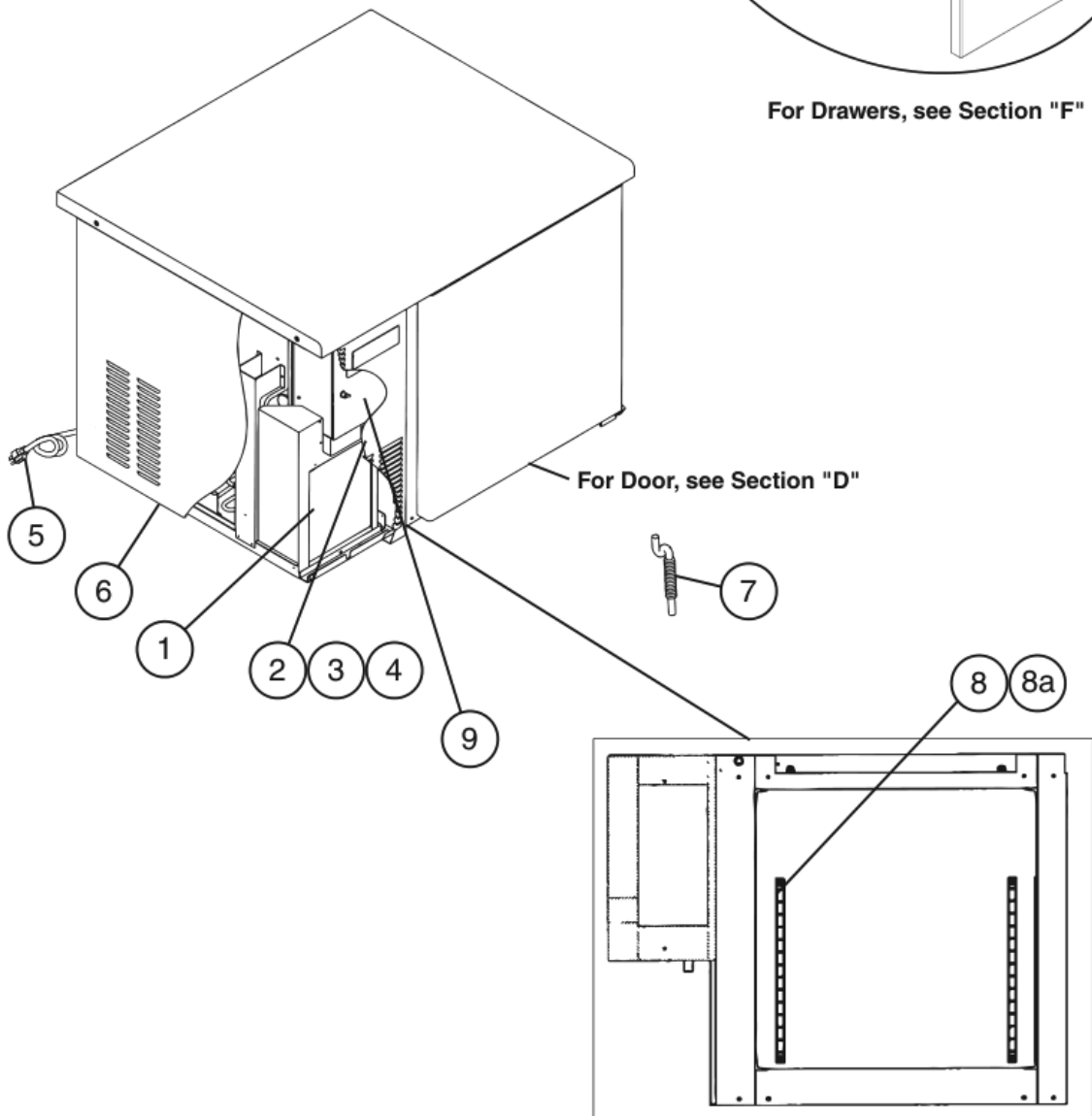
Model Name on Nameplate	Current Name
UR1-SSB	HUR40A
UR2-SSB	HUR68A
UF1-SSB	HUF40A
UF2-SSB	HUF68A

This parts list does not cover UR2-SSA or UF2-SSA units. For replacement parts for these units, please contact the factory.

**A. Main Assembly**  
**HU\_40A(-D), HW\_40A(-D)**  
N-6 to F-5

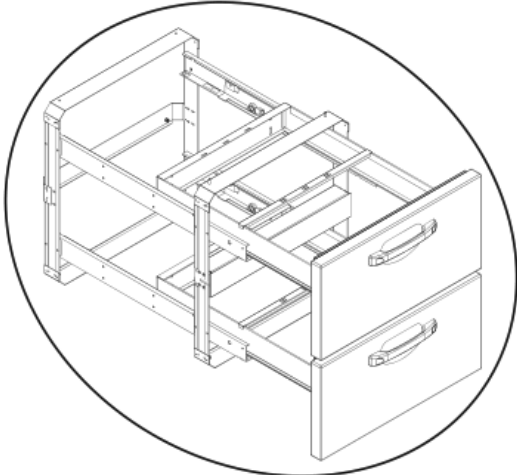


For Drawers, see Section "F"

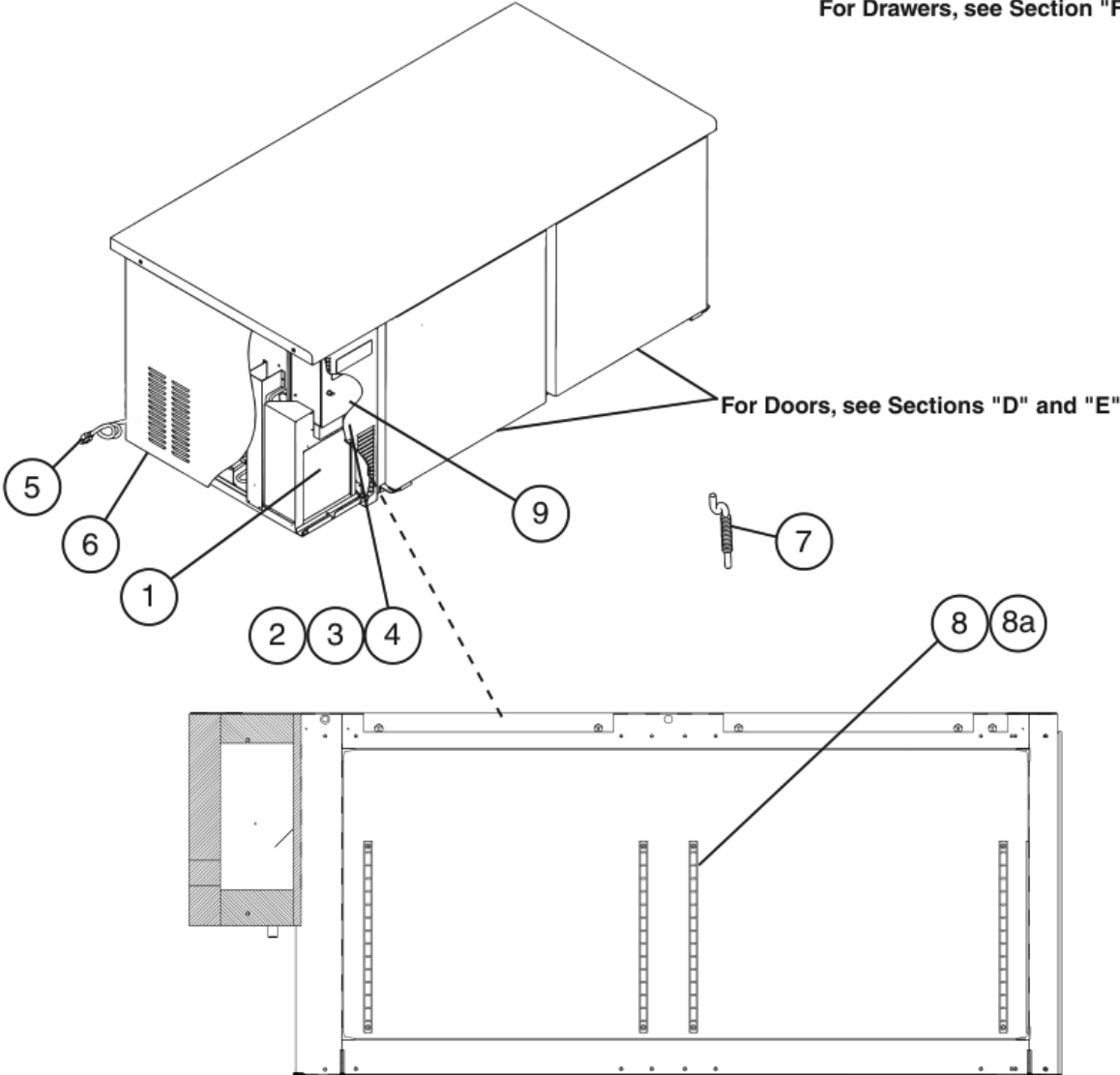


Title: A. Main Assembly Model: HU_40A(-D), HW_40A(-D)												
Index No.	Description	Material or Model Number	Part Number	N-6 to F-5	Required Number							
1	Air Filter		3A0277-04	1								
2	Front Panel		3A2298G02	1								
3	Latch		4A0508-03	2								
4	Hinge A		4R0695-01	2								
5	Power Cord		4A0520-01	1								
6	Left Side Access Panel		3A2954-01	1								
7	Drain Trap		3R2208-01	1								
8	Pilaster	H_R40A H_F40A SS	4A3278-01	3								
8a	Countersunk Screw	H_R40A H_F40A 5x20, SS	7C42-0520	6								
9	Control Box Cover		3A5371-01	1								

**A. Main Assembly**  
**HU\_68A(-D), HW\_68A(-D)**  
N-6 to F-5



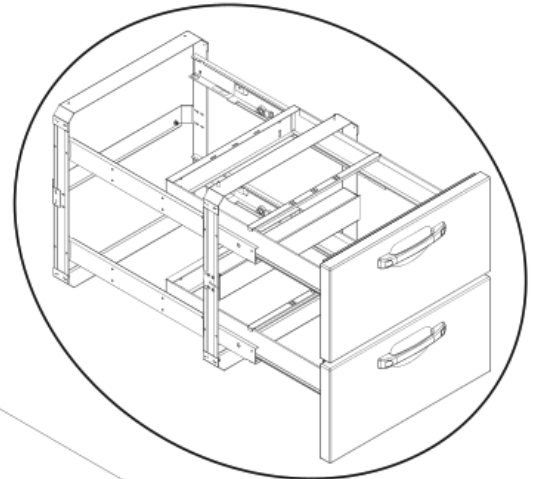
For Drawers, see Section "F"



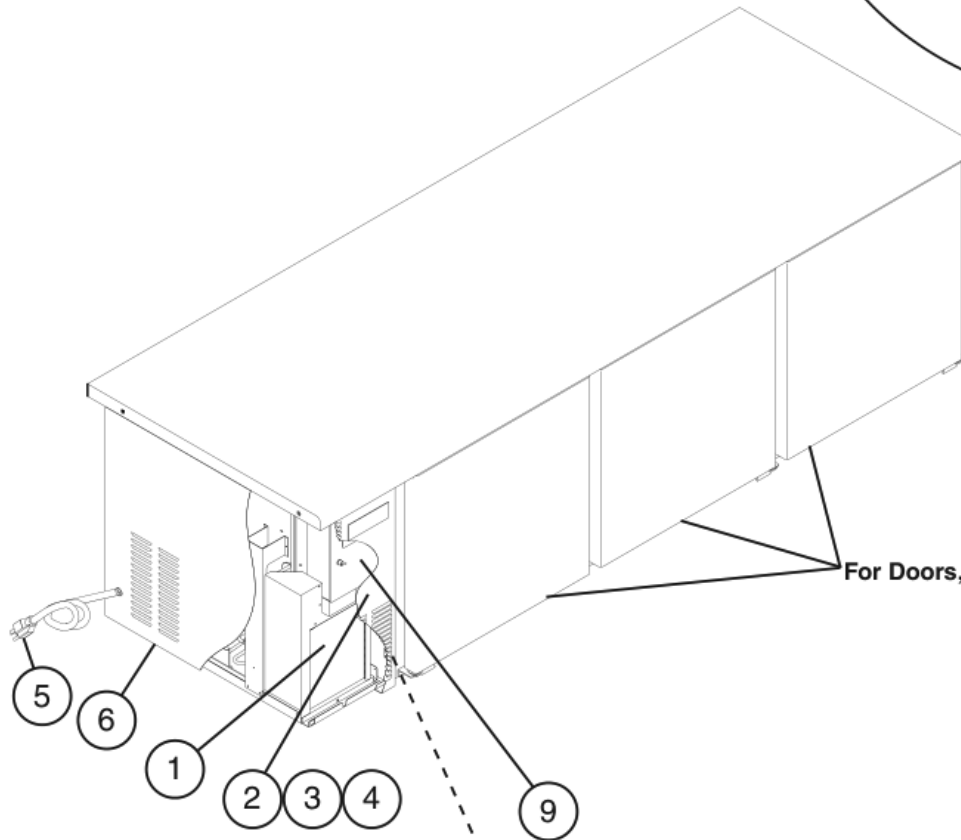
**Title: A. Main Assembly    Model: HU\_68A(-D), HW\_68A(-D)**

Index No.	Description	Material or Model Number	Part Number	N-6 to F-5	Required Number								
1	Air Filter		3A0277-04	1									
2	Front Panel		3A2298G02	1									
3	Latch		4A0508-03	2									
4	Hinge A		4R0695-01	2									
5	Power Cord		4A0520-01	1									
6	Side Access Panel		3A2954-01	1									
7	Drain Trap		3R2208-01	1									
8	Pilaster	H_R68A H_F68A SS	4A3278-01	7									
8a	Countersunk Screw	H_R68A H_F68A 5x20, SS	7C42-0520	14									
9	Control Box Cover		3A5371-01	1									

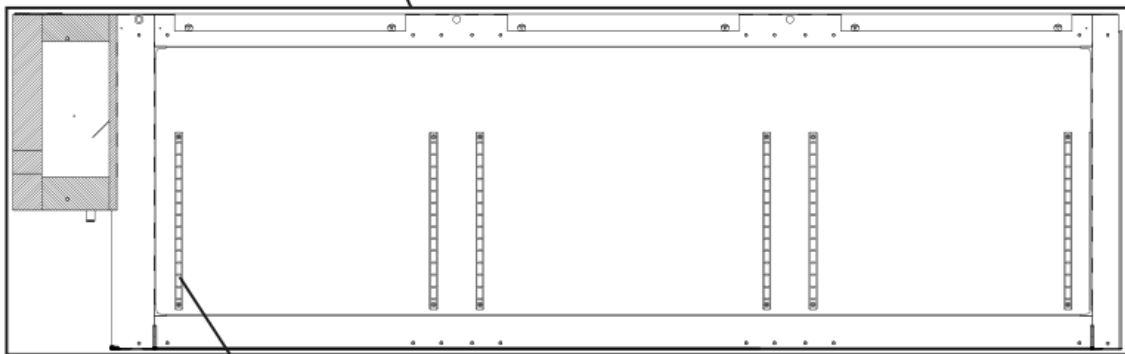
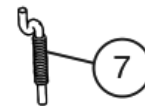
**A. Main Assembly**  
**H\_R96A(-D)**  
R-5 to F-5



For Drawers, see Section "F"



For Doors, see Sections "D" and "E"

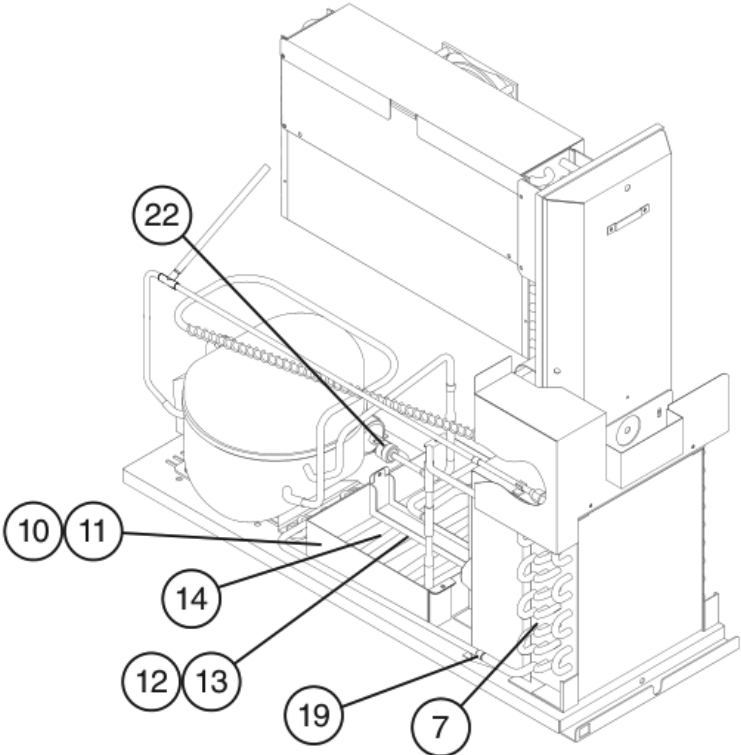
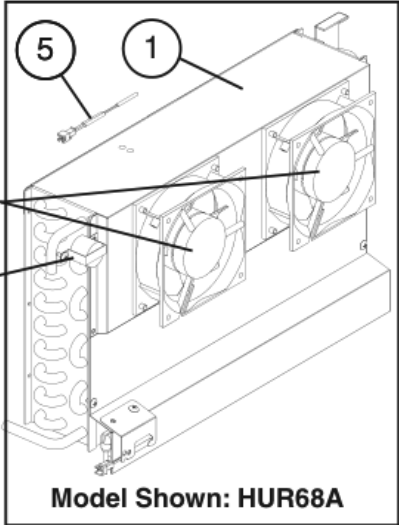
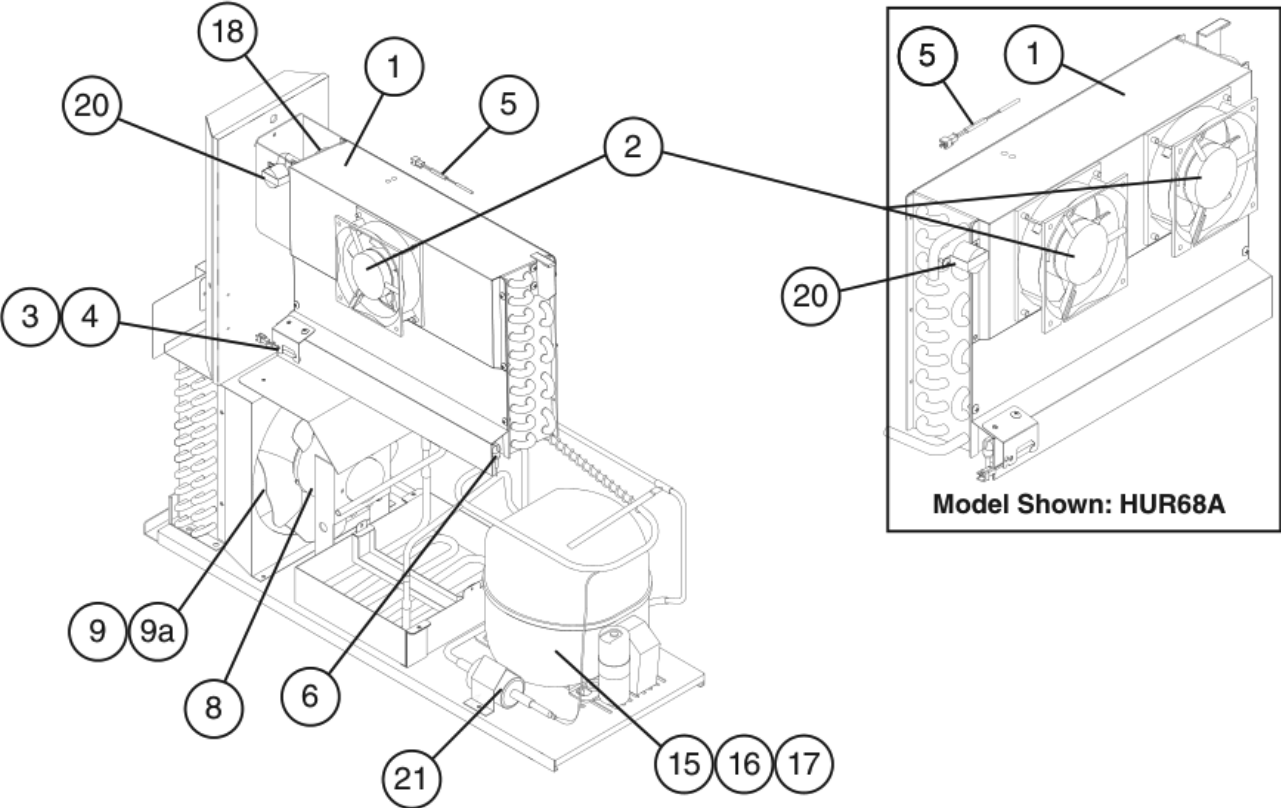


8 8a

**Title: A. Main Assembly    Model: H\_R96A(-D)**

Index No.	Description	Material or Model Number	Part Number	R-5 to F-5	Required Number								
1	Air Filter		3A0277-04	1									
2	Front Panel		3A2298G02	1									
3	Latch		4A0508-03	2									
4	Hinge A		4R0695-01	2									
5	Power Cord		4A0520-01	1									
6	Side Access Panel		3A2954-01	1									
7	Drain Trap		3R2208-01	1									
8	Pilaster	H_R96A SS	4A3278-01	11									
8a	Countersunk Screw	H_R96A 5x20, SS	7C42-0520	22									
9	Control Box Cover		3A5370-01	1									

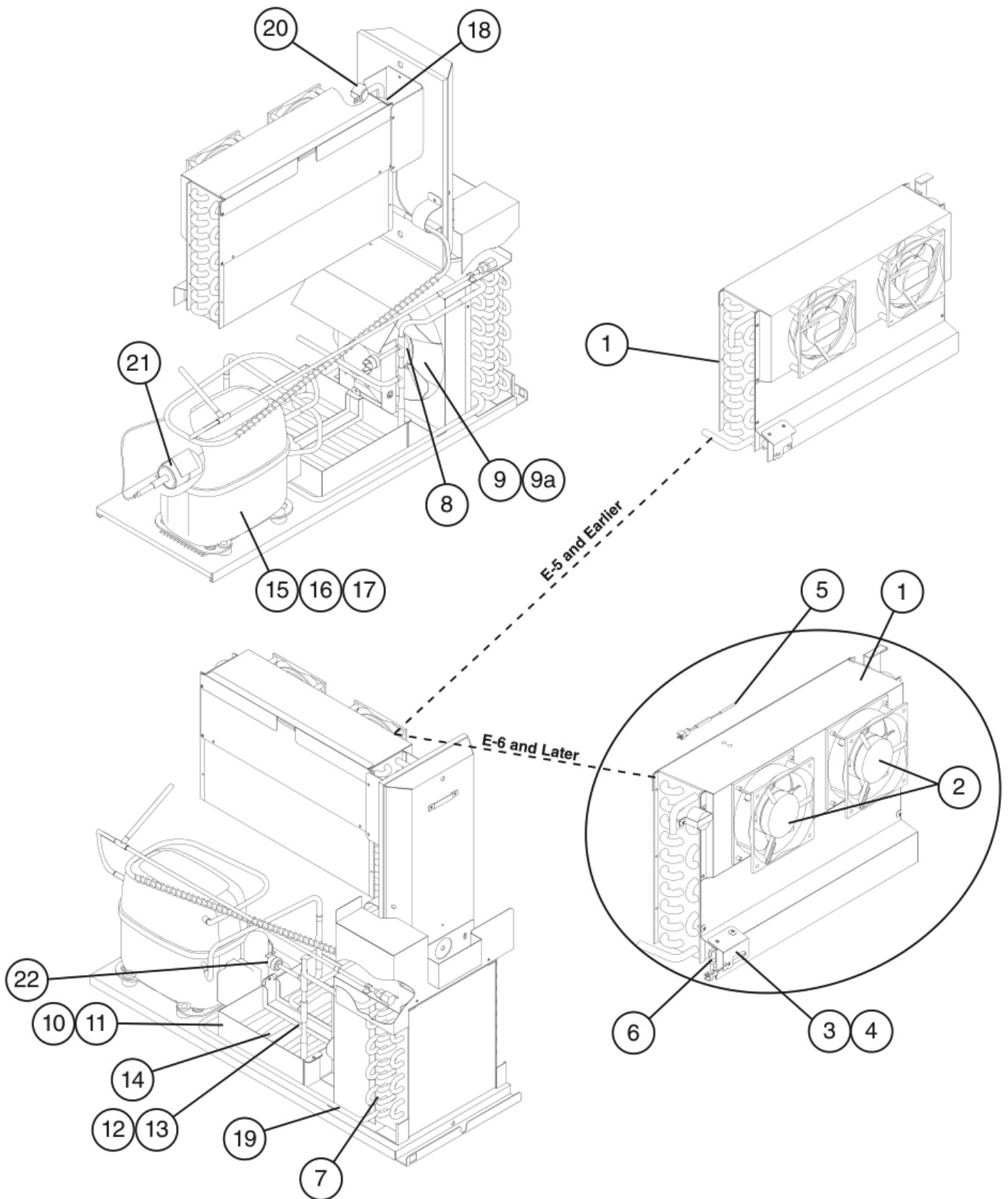
**B. Refrigeration Circuit**  
**H\_R40A(-D), H\_F40A(-D), H\_R68A(-D), H\_R96A(-D)**  
 N-6 to F-5



**Title: B. Refrigeration Circuit Model: HU\_40A(-D), HW\_40A(-D), HUR68A(-D), HWR68A(-D), HUR96A(-D), HWR96A(-D)**

Index No.	Description	Material or Model Number	Part Number	Required Number								
				N-6	P-5 to Q-6	R-5 to B-5	C-5 to E-5	E-6 F-5				
1	Evaporator	H_R40A(-D) H_R68A(-D)	2A2835-01	1	1	1	1	1				
2	Evaporator Fan Motor SP-5158 Qty. 1. Includes 1 Fan Motor 4A5343-01. SP-5159 Qty. 1. Includes 2 Fan Motors 4A5343-01.	H_R40A(-D) H_R68A(-D)	4A3119-01	1	1	1	1	-				
			SP-5158									
		4A5343-01					1					
		H_R96A(-D) H_F40A(-D)	4A3119-01 SP-5159	2	2	2	2	-				
			4A5343-01					2				
3	Thermistor Bracket		4A3091-01	1	-							
			4R1237-01		1	1	1	1				
4	Cabinet Thermistor		447267-01	1	1	1	1	1				
5	Defrost Thermistor		447150-01	1	1	1	1	1				
6	Glass Tube Heater		3A2335-01	1	1	1	1	1				
7	Condenser		2A2446-01	1	1	1	1	1				
8	Condensor Fan Motor		4A1179-01	1	1	1	1	1				
9	Fan Blade		3A0608-01	1	1	1	1	1				
9a	Hex Nut		4A1345-01	1	1	1	1	1				
10	Evaporator Drain Pan Assembly		3A3014G01	1	1	1	-					
11	Condensate Pan		3A7181-01				1	1				
12	Condensate Coil Strap		3A7191-01				1	1				
13	Condensate Coil Gasket		4A0455-01				1	1				
14	Condensate Coil		2A6823G01				1	1				
15	Compressor	H_R40A(-D)	4A3263-01	1	1	-						
			4A3177-01			1	1	1				
		H_R68A(-D)	4A3177-01	1	1	1	1	1				
		H_R96A(-D)	4A3958-01			1	1	1				
		H_F40A(-D)	4A3232-01	1	1	1	1	1				
16	Start Capacitor	H_R40A(-D)	4A2134-03	1	1	-						
			4A2134-01			1	1	1				
		H_R68A(-D) H_R96A(-D) H_F40A(-D)	4A2134-01	1	1	1	1	1				
17	Start Relay	H_R40A(-D)	4A1847-01	1	1	-						
			4A2135-03			1	1	1				
		H_R68A(-D)	4A2135-03	1	1	1	1	1				
		H_R96A(-D)	4A2135-04			1	1	1				
		H_F40A(-D)	4A2135-01	1	1	1	1	1				
18	Thermal Fuse		433262-02	1	1	-						
19	Filter Thermistor		455534-01	1	1	1	1	1				
20	Defrost Thermostat		4A0954-02	1	1	1	1	1				
21	Drier		4A2666-01	1	1	1	-					
			4A1113-01				1	1				
22	High-Pressure Switch	H_R40A(-D) H_R68A(-D) H_R96A(-D)	456384-01	1	1	1	1	1				
			H_F40A(-D)	456384-01	1	1	1	-				
			456384-03				1	1				

**B. Refrigeration Circuit**  
**H\_F68A(-D)**  
 N-6 to F-5



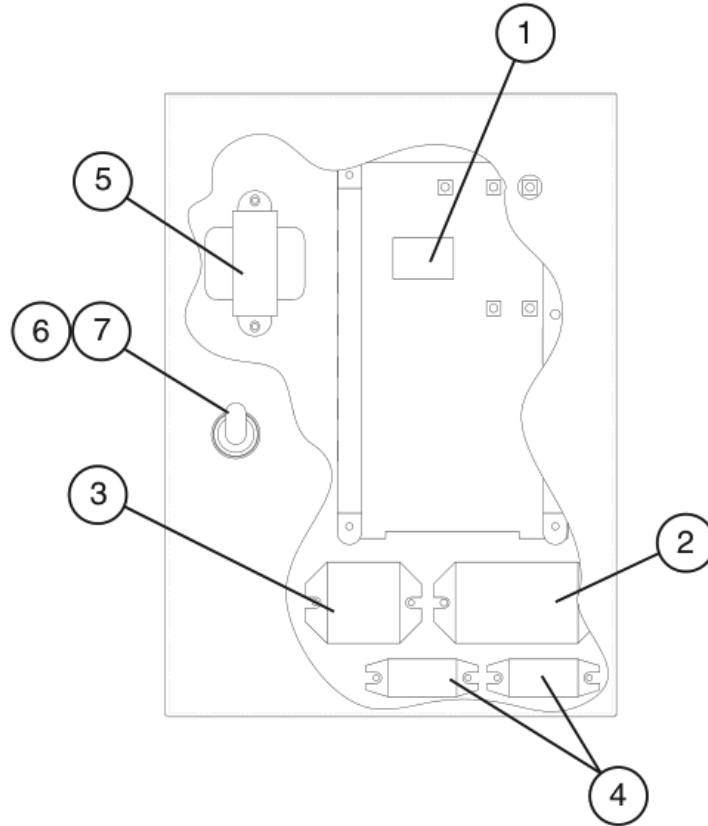
**Title: B. Refrigeration Circuit Model: H\_F68A(-D)**

Index No.	Description	Material or Model Number	Part Number	Required Number								
				N-6	P-5 to T-5	T-6 to B-5	C-5 to E-5	E-6 F-5				
1	Evaporator		2A2835-01	1	1	1						
2	Evaporator Fan Motor SP-5159 Qty. 1. Includes 2 Fan Motors 4A5343-01.		4A3119-01	2	2	2	2	-				
			4A5343-01					2				
3	Thermistor Bracket		4A3091-01	1	-							
			4R1237-01		1	1	1	1				
4	Cabinet Thermistor		447267-01	1	1	1	1	1				
5	Defrost Thermistor		447150-01	1	1	1	1	1				
6	Glass Tube Heater		3A2335-01	1	1	1	1	1				
7	Condenser		2A2446-01	1	1	1	1	1				
8	Fan Motor		4A1179-01	1	1	1	1	1				
9	Fan Blade		3A0608-01	1	1	1	1	1				
9a	Hex Nut		4A1345-01	1	1	1	1	1				
10	Evaporator Drain Pan Assembly		3A3014G01	1	1	1	-					
11	Condensate Pan		3A7181-01				1	1				
12	Condensate Coil Strap		3A7191-01				1	1				
13	Condensate Coil Gasket		4A0455-01				1	1				
14	Condensate Coil		2A6823G01				1	1				
15	Compressor		4A3115-01	1	1	-						
			4A3808-01			1	1	1				
16	Start Capacitor		4A2134-03	1	1	1	1	1				
17	Start Relay		4A3113-01	1	1	1	1	1				
18	Fuse		433262-02	1	1	-						
19	Filter Thermistor		455534-01	1	1	1	1	1				
20	Defrost Thermostat		4A0954-02	1	1	1	1	1				
21	Drier		4A2666-01	1	1	1	-					
			4A1113-01				1	1				
22	High-Pressure Switch		456384-03	1	1	1	1	1				

### C. Control Box Assembly

HU\_40A(-D), HW\_40A(-D), HU\_68A(-D), HW\_68A(-D), H\_R96A(-D)

N-6 to F-5

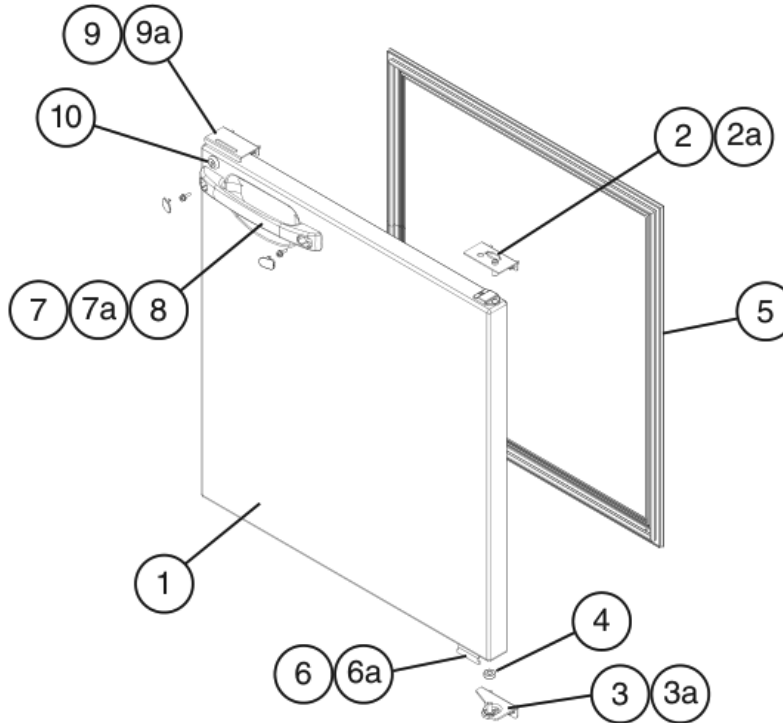


Title: C. Control Box Assembly Model: HU_40A(-D), HW_40A(-D), HU_68A(-D), HW_68A(-D), H_R96A(-D)										
Index No.	Description	Material or Model Number	Part Number	Required Number						
				N-6	P-5 to T-6	U-5 to F-5				
1	Display Control Board	H_R40A(-D) H_R68A(-D) H_R96A(-D)	<a href="#">3A2786-02</a>	1	1	1				
		H_F40A(-D) H_F68A(-D)	<a href="#">3A2786-01</a>	1	1	1				
2	Compressor Relay		<a href="#">4A3140-01</a>	1	1	1				
3	Compressor Power Relay		<a href="#">P02203-02</a>	1	1	1				
4	Fan(s) and Heater(s) Relay		<a href="#">430173-05</a>	2	2	2				
5	Control Transformer		<a href="#">3A1759-01</a>	1	1	1				
6	Power Switch		<a href="#">4A0424-01</a>	1	1	1				
7	Switch Boot		<a href="#">4A3346-01</a>		1	-				

### D. Door-Right Hinged

HU\_40A, HW\_40A, HU\_68A, HW\_68A, H\_R96A

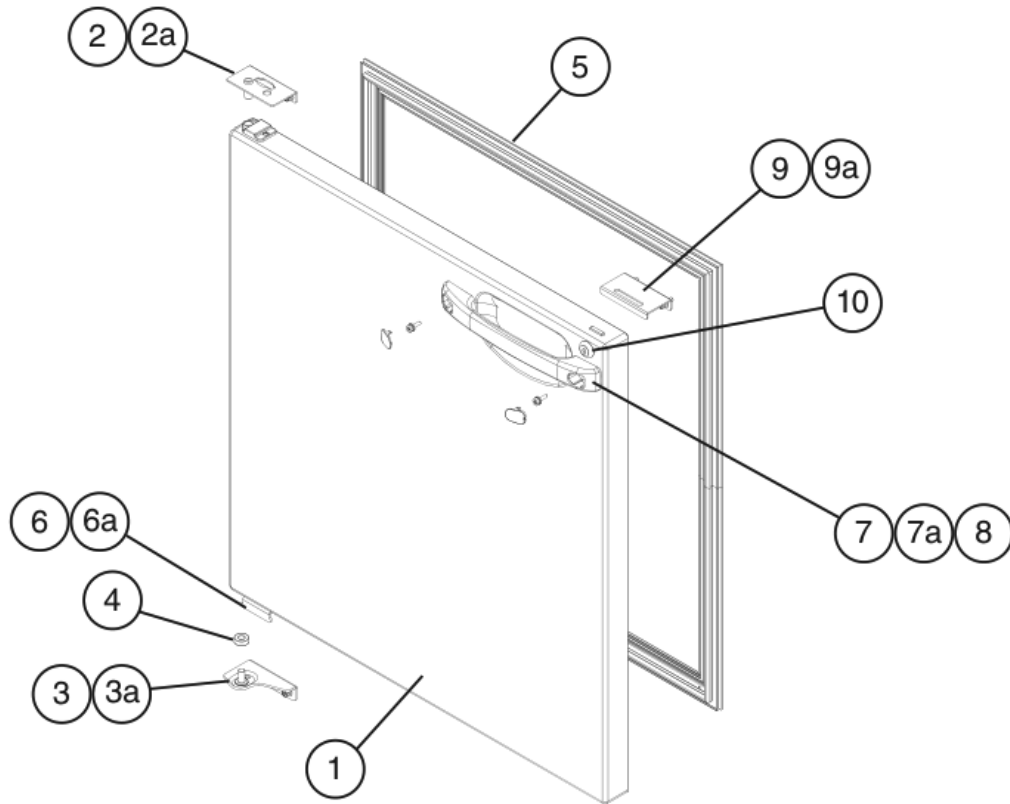
N-6 to F-5



Title: D. Door-Right Hinged Model: HU_40A, HW_40A, HU_68A, HW_68A, H_R96A										
Index No.	Description	Material or Model Number	Part Number	Required Number						
				N-6 to Q-5	Q-6	R-5 S-5	S-6 to U-5	V-5 to F-5		
1	Door Right (includes items 6 & 6a from Q-6)		<a href="#">2A3000A01</a>	1	-					
			<a href="#">2A3464A01</a>		1	1	-			
	Door Right (includes items 6, 6a, & 10)		<a href="#">2A4057G01</a>				1	-		
			<a href="#">2A6061G01</a>						1	
2	Door Hinge, Right Top		<a href="#">4R1716G02</a>	1	1	1	1	1		
2a	Bolt	5x16, SS	<a href="#">4A3181-01</a>	2	2	2	2	2		
3	Door Hinge, Right Bottom		<a href="#">332912G02</a>	1	1	1	1	1		
3a	Bolt	5x16, SS	<a href="#">4A3181-01</a>	2	2	2	2	2		
4	Hinge Collar		<a href="#">4H7429-01</a>	1	1	1	1	1		
5	Door Gasket		<a href="#">3A2788-02</a>	1	1	1	1	-		
			<a href="#">2A5192-04</a>						1	
6	Door Stop		<a href="#">4H7409-01</a>	1	1	1	1	1		
6a	Bolt	Comes from factory with 4A3181-02. Use -01 as replacement. 5x16, SS	<a href="#">4A3181-01</a>	2	2	2	2	-		
		5x10 SS	<a href="#">7C32-0510</a>						2	
7	Handle		<a href="#">2R0932-01</a>	1	-					
			<a href="#">2R1744-01</a>		1	1	1	1		

Title: D. Door-Right Hinged Model: HU_40A, HW_40A, HU_68A, HW_68A, H_R96A												
Index No.	Description	Material or Model Number	Part Number	Required Number								
				N-6 to Q-5	Q-6	R-5 S-5	S-6 to U-5	V-5 to F-5				
7a	Bolt	5x16, SS	449879-02	2	2	2	2	-				
			449879-08					2				
8	Handle Cap		3R3338-01	2	-							
			3R7278-01		2	2	2	2				
9	Keeper Lock		4A3999-01				1	1				
9a	Bolt	5x16, SS	4A3181-01				2	2				
10	Lock	Includes 2 keys.	4A4000-01				1	1				

**E. Door-Left Hinged**  
**HU\_68A, HW\_68A, H\_R96A**  
 N-6 to F-5



Title: E. Door-Left Hinged Model: HU_68A, HW_68A, H_R96A										
Index No.	Description	Material or Model Number	Part Number	Required Number						
				N-6 to Q-5	Q-6	R-5 S-5	S-6 to T-6	V-5 to F-5		
1	Door Left (includes items 6 & 6a from Q-6)		2A3000A02	1	-					
			2A3464A02		1	1	-			
	Door Left (includes items 6, 6a, & 10)		2A4058G01				1	-		
			2A6062G01					1		
2	Door Hinge, Left Top		4R1716G01	1	1	1	1	1		
2a	Bolt	5x16, SS	4A3181-01	2	2	2	2	2		
3	Door Hinge, Left Bottom		332913G02	1	1	1	1	1		
3a	Bolt	5x16, SS	4A3181-01	2	2	2	2	2		
4	Hinge Collar		4H7429-01	1	1	1	1	1		
5	Door Gasket		2A3437-03	1	1	1	1	-		
			2A5192-04					1		
6	Door Stop	SS	4H7409-01	1	1	1	1	1		
6a	Bolt	Comes from factory with 4A3181-02. Use -01 as replacement.	4A3181-01	2	2	2	2	-		
		5x16, SS								
		5x10 SS	7C32-0510					2		

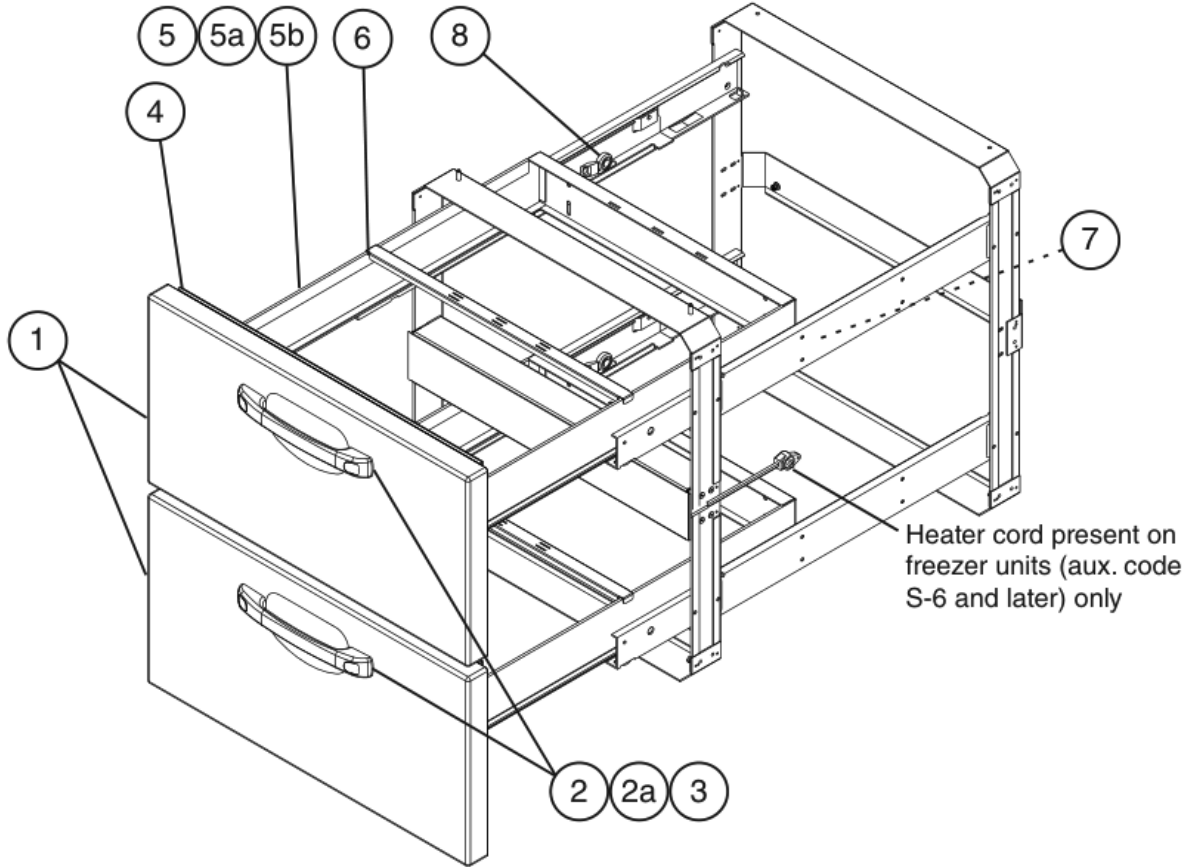
**Title: E. Door-Left Hinged Model: HU\_68A, HW\_68A, H\_R96A**

Index No.	Description	Material or Model Number	Part Number	Required Number									
				N-6 to Q-5	Q-6	R-5 S-5	S-6 to T-6	V-5 to F-5					
7	Handle	ABS	<a href="#">2R0932-01</a>	1	-								
			<a href="#">2R1744-01</a>		1	1	1	1					
7a	Bolt	5x16, SS	<a href="#">449879-02</a>	2	2	2	2	-					
			<a href="#">449879-08</a>					2					
8	Handle Cap		<a href="#">3R3338-01</a>	2	-								
			<a href="#">3R7278-01</a>		2	2	2	2					
9	Keeper Lock		<a href="#">4A3999-01</a>				1	1					
9a	Bolt	5x16, SS	<a href="#">4A3181-01</a>				2	2					
10	Lock	Includes 2 keys.	<a href="#">4A4000-01</a>				1	1					

## F. Drawer

HU\_40A-D, HW\_40A-D, HU\_68A-D, HW\_68A-D, H\_R96A-D

R-5 to F-5



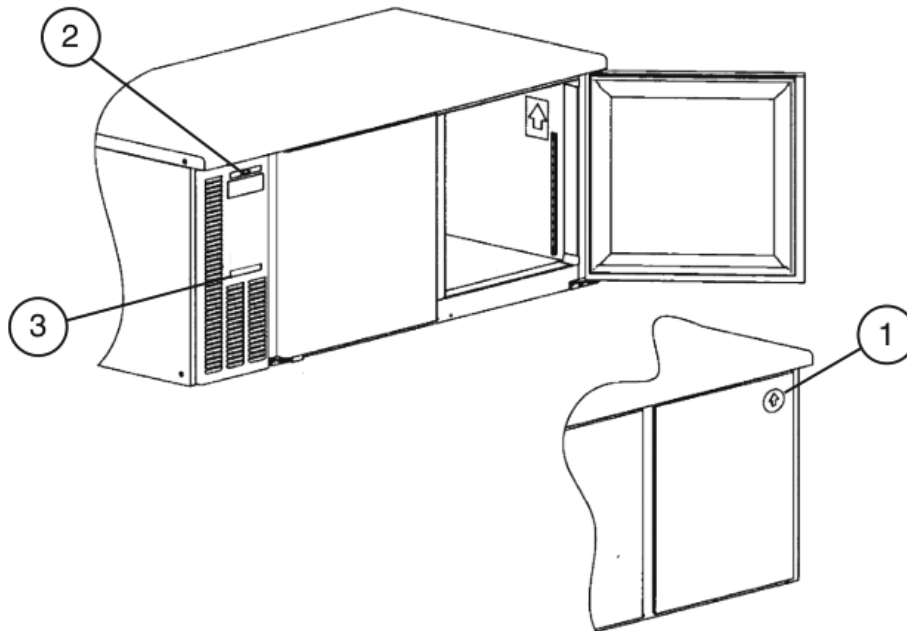
Title: F. Drawer Model: HU_40A-D, HW_40A-D, HU_68A-D, HW_68A-D, H_R96A-D										
Index No.	Description	Material or Model Number	Part Number	Required Number						
				R-5 S-5	S-6 to U-5	U-6 to A-5 (E)	A-5 (F) to F-5			
1	Drawer Face (includes item 4)		2A3185G01	1	-					
			2A4082G01		1	-				
			2A6069G01			1	1			
2	Handle		2R1744-01	1	1	1	1			
2a	Bolt	5x16, SS	449879-02	2	2	-				
			449879-08			2	2			
3	Handle Cap		3R7278-01	2	2	2	2			
4	Gasket		2A3437-02	1	1	1	-			
			2A5192-03				1			

Title: F. Drawer Model: HU_40A-D, HW_40A-D, HU_68A-D, HW_68A-D, H_R96A-D													
Index No.	Description	Material or Model Number	Part Number	Required Number									
				R-5 S-5	S-6 to U-5	U-6 to A-5 (E)	A-5 (F) to F-5						
5	Drawer Box		3A3560G01	1	-								
			2A4284G01		1	-							
			2A5253G01				1	1					
5a	Washer		4A0198-01	4	4	4	4						
5b	Bolt	6x20, SS	4A1989-01	4	4	-							
		5x20, SS	449879-08			4	4						
6	Divider - Drawer Box		3A3574-01	1	1	1	1						
7	Roller Slide Right		4A4681G01	2	2	-							
			3A5577-02			2	2						
8	Roller Slide Left		4A4682G01	2	2	-							
			3A5577-01			2	2						

## G. Accessories & Labels

HU\_40A(-D), HW\_40A(-D), HU\_68A(-D), HW\_68A(-D), H\_R96A(-D)

N-6 to F-5



Title: G. Accessories & Labels Model: HU_40A(-D), HW_40A(-D), HU_68A(-D), HW_68A(-D), H_R96A(-D)										
Index No.	Description	Material or Model Number	Part Number	Required Number						
				N-6 to P-5	Q-5 to S-6	T-5 to U-5	V-5 to F-5			
1	Penguin Label		<a href="#">456246-02</a>	1	1	1	1			
2	Refrigerator Label	H_R40A(-D) H_R68A(-D) H_R96A(-D)	<a href="#">464177-01</a>	1	1	1	1			
	Freezer Label	H_F40A(-D) H_F68A(-D)	<a href="#">464178-01</a>	1	1	1	1			
3	Clean Filter Label		<a href="#">426177-01</a>	1	1	1	1			
4	Shelf	H_R40A H_F40A	<a href="#">3A2830-03</a>	2	2	2	1			
		H_R68A H_F68A	<a href="#">3A2830-02</a>	4	4	4	2			
		H_R96A	<a href="#">3A2830-02</a>		3	3	3			
5	Shelf Clip	H_R40A H_F40A	<a href="#">428957-01</a>	8	8	8	4			
		H_R68A H_F68A	<a href="#">428957-01</a>	16	16	16	8			
		H_R96A	<a href="#">428957-01</a>		24	24	12			

**Title: G. Accessories & Labels Model: HU\_40A(-D), HW\_40A(-D), HU\_68A(-D), HW\_68A(-D), H\_R96A(-D)**

Index No.	Description	Material or Model Number	Part Number	Required Number									
				N-6 P-5	Q-5 to S-6	T-5 U-5	V-5 to F-5						
6	1 Section UC Caster Pair (1 Caster & 1 Caster - Brake) (4 in.)	<b>HU_40A(-D)</b>	<a href="#">4A1347-06</a>	2	2	-							
	Caster - Plated (Locking) (4 in.)		<a href="#">4A4275-01</a>			2	2						
	Caster - Plated (Non-Locking) (4 in.)		<a href="#">4A4275-02</a>			2	2						
	2 Section UC Caster Pair (1 Caster & 1 Caster - Brake) (4 in.)	<b>HU_68A(-D)</b>	<a href="#">4A1347-03</a>	2	2	-							
	Caster - Plated (Locking) (4 in.)		<a href="#">4A4275-01</a>			2	2						
	Caster - Plated (Non-Locking) (4 in.)		<a href="#">4A4275-02</a>			2	2						
	3 Section UC Caster Pair (1 Caster & 1 Caster - Brake) (4 in.)	<b>HUR96A(-D)</b>	<a href="#">4A1347-03</a>	3	3	-							
	Caster - Plated (Locking) (4 in.)		<a href="#">4A4275-01</a>			3	3						
	Caster - Plated (Non-Locking) (4 in.)		<a href="#">4A4275-02</a>			3	3						
	1 Section UC Caster Pair (1 Caster & 1 Caster - Brake) (6 in.)	<b>HWR40A(-D) HWF40A(-D)</b>	<a href="#">4A3467-06</a>	2	2	-							
	Caster - Plated (Locking) (6 in.)		<a href="#">4A4276-01</a>			2	2						
	Caster - Plated (Non-Locking) (6 in.)		<a href="#">4A4276-02</a>			2	2						
2 Section UC Caster Pair (1 Caster & 1 Caster - Brake) (6 in.)	<b>HWR68A(-D) HWF68A(-D)</b>	<a href="#">4A3467-03</a>	2	2	-								
Caster - Plated (Locking) (6 in.)		<a href="#">4A4276-01</a>			2	2							
Caster - Plated (Non-Locking) (6 in.)		<a href="#">4A4276-02</a>			2	2							
3 Section UC Caster Pair (1 Caster & 1 Caster - Brake) (6 in.)	<b>HWR96A(-D)</b>	<a href="#">4A3467-03</a>	3	3	-								
Caster - Plated (Locking) (6 in.)		<a href="#">4A4276-01</a>			3	3							
Caster - Plated (Non-Locking) (6 in.)		<a href="#">4A4276-02</a>			3	3							
6a	Hex Head Tapping Bolt (1/2x20x1/2)	<b>H_R40A(-D) H_F40A(-D) H_R68A(-D) H_F68A(-D) H_R96A(-D)</b>	<a href="#">7B0311412</a>		16	-							
					24	-							
	Hex Head Tapping Bolt (1/4x20x3/4)	<b>H_R40A(-D) H_F40A(-D) H_R68A(-D) H_F68A(-D) H_R96A(-D)</b>	<a href="#">4A5213-01</a>			16	16						
						24	24						
7	Caster Shim (Package of 6)	<b>(HS-3724)</b>	<a href="#">3A6341A01</a>		1	-							