



HOSHIZAKI

Parts List

Self-Contained Cuber

Models
IM-200BAC



hoshizakiamerica.com

Number: 71427
Issued: 7-15-2019
Revised: 3-4-2025

CONTENTS

| | |
|--|----|
| Auxiliary Codes..... | 3 |
| Note About Ordering Parts | 3 |
| A. Main Assembly & Refrigeration Circuit | 4 |
| B. Water Circuit & Mechanism Assembly | 8 |
| C. Control Box Assembly | 10 |
| D. Accessories & Labels | 11 |

Auxiliary Codes

IM-200BAC

J-0 March 2019

K-0 January 2020

K-1 March 2020

L-0 January 2021

M-0 January 2022

M-1 September 2022

M-2 November 2022

N-0 February 2023

N-1 July 2023

P-0 January 2024

P-1 July 2024

Q-0 January 2025

Auxiliary Code Breakdown

The auxiliary code is the first two characters in the serial number. The first character indicates the year. Years progress or regress in alphabetical order. The series runs from "A" through "V" and the letters "I" and "O" are skipped. The second character indicates significant part changes within a year. Base is "0" and this number advances for each change. In cases where there is a letter in parentheses, this designates the month. This is the last character in the serial number. The series runs from "(A)" through "(M)" and the letter "(I)" is skipped. This designation is only included when identifying a parts change within an auxiliary code.

Note About Ordering Parts

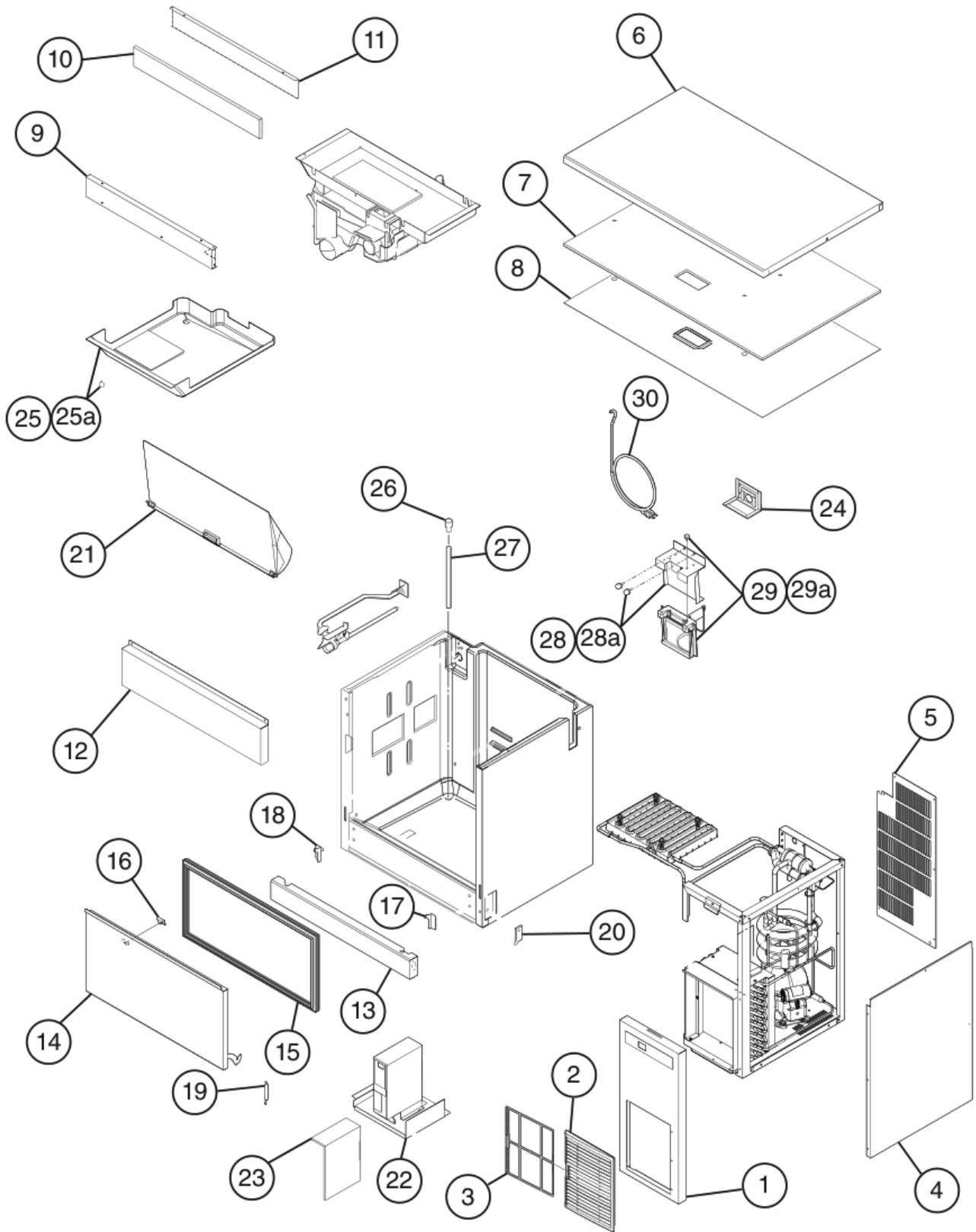
Most assemblies cannot be ordered as complete units; parts in the assemblies generally must be ordered separately.

A. Main Assembly & Refrigeration Circuit

IM-200BAC

1/2

J-0 to Q-0

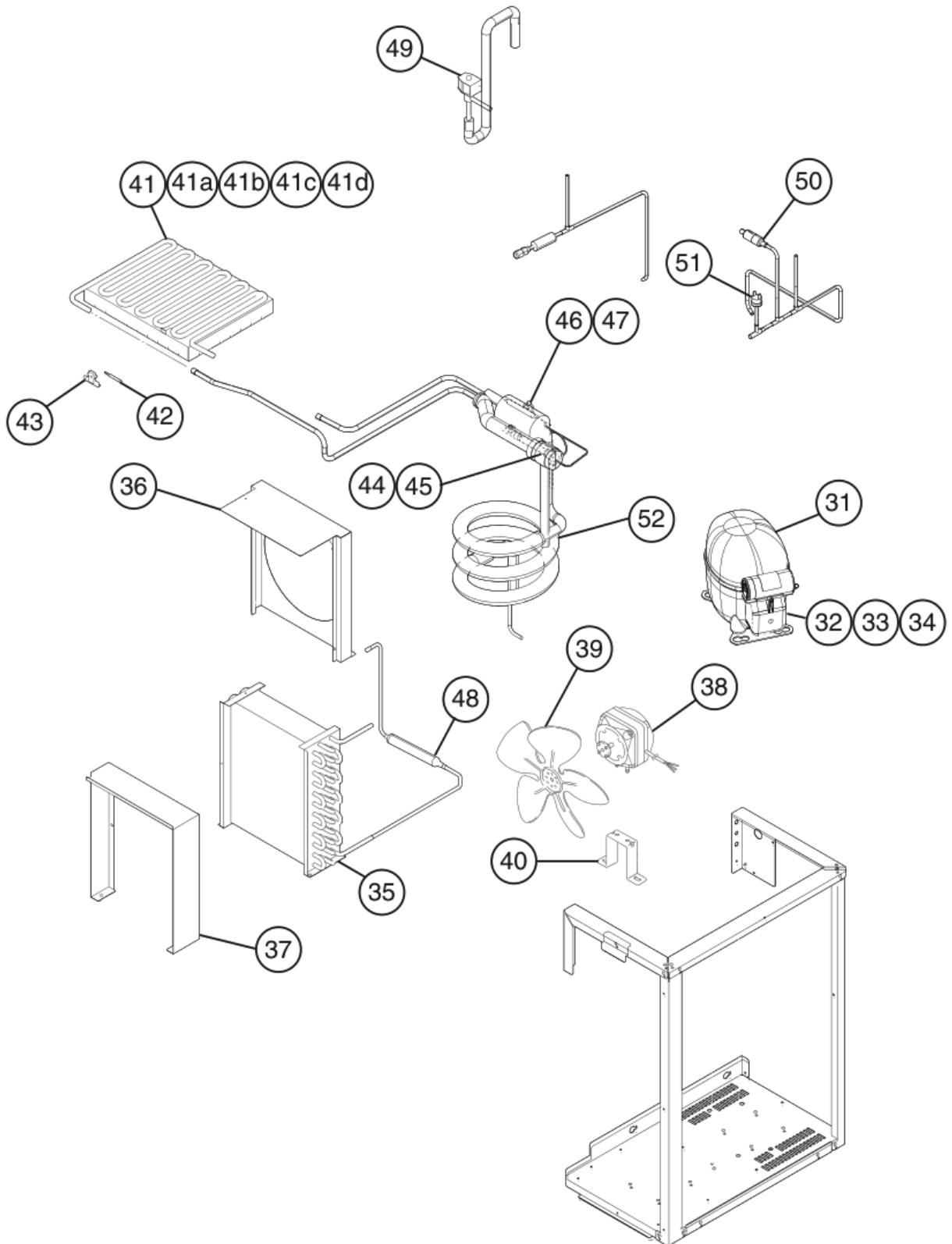


A. Main Assembly & Refrigeration Circuit

IM-200BAC

2/2

J-0 to Q-0



| Title: A. Main Assembly & Refrigeration Circuit Model: IM-200BAC | | | | | | | | | | |
|--|--------------------------------------|--------------------------|-------------|-----------------|----------------|---------|---------|--|--|--|
| Index No. | Description | Material or Model Number | Part Number | Required Number | | | | | | |
| | | | | J-0 to K-0 | K-0 (B) to N-0 | N-1 P-0 | P-1 Q-0 | | | |
| Ice Cuber Assembly | | | | | | | | | | |
| 1 | Front Cover (includes items 2 and 3) | | 3B0061A01 | 1 | 1 | 1 | 1 | | | |
| 2 | Louver (includes item 3) | | 2A6649A02 | 1 | 1 | 1 | 1 | | | |
| 3 | Air Filter | | 2A2063G01 | 1 | 1 | 1 | 1 | | | |
| 4 | Right Side Panel | | 2A9046-01 | 1 | 1 | 1 | 1 | | | |
| 5 | Rear Panel | | 268093M01 | 1 | 1 | 1 | 1 | | | |
| 6 | Top Panel | | 1A5487-01 | 1 | 1 | 1 | 1 | | | |
| 7 | Top Insulation | | 3Y6327P01 | 1 | 1 | 1 | 1 | | | |
| 8 | Top Plate | | 381968G01 | 1 | 1 | 1 | 1 | | | |
| 9 | Front Frame | | 3B0121-01 | 1 | 1 | 1 | 1 | | | |
| 10 | Front Frame Insulation | | 4Y7624P01 | 1 | 1 | 1 | 1 | | | |
| 11 | Front Frame (B) | | 3B0122-01 | 1 | 1 | 1 | 1 | | | |
| 12 | Upper Front Cover | | 3B0058G01 | 1 | 1 | 1 | 1 | | | |
| 13 | Lower Front Cover | | 3B0059G02 | 1 | 1 | 1 | 1 | | | |
| 14 | Door Assembly | S-31291 | 3Y5435G01 | 1 | - | | | | | |
| | | | 3B0479A01 | | 1 | 1 | 1 | | | |
| 15 | Gasket | | 3Y8291P04 | 1 | 1 | 1 | 1 | | | |
| 16 | Door Catch | | 4X7644-01 | 1 | 1 | 1 | 1 | | | |
| 17 | Right Hinge | | 4H2583-01 | 1 | 1 | 1 | 1 | | | |
| 18 | Left Hinge | | 4H2584-01 | 1 | 1 | 1 | 1 | | | |
| 19 | Spring | | 4X5209-01 | 1 | 1 | 1 | 1 | | | |
| 20 | Spring Bracket | | 4Y7620M01 | 1 | 1 | 1 | 1 | | | |
| 21 | Slope | | 3H2978G01 | 1 | 1 | 1 | 1 | | | |
| 22 | Control Box Plate | | 2A9044-01 | 1 | 1 | 1 | 1 | | | |
| 23 | Control Box Cover | | 3Y6513M01 | 1 | 1 | 1 | 1 | | | |
| 24 | Rear Guide | | 481320M01 | 1 | 1 | 1 | 1 | | | |
| 25 | Drain Pan | | 2H6143G01 | 1 | 1 | 1 | 1 | | | |
| 25a | Thumbscrew | | 415949G10 | 1 | 1 | 1 | 1 | | | |
| 26 | Drain Tube | | 4H2585-01 | 1 | 1 | 1 | 1 | | | |
| 27 | Drain Pipe | | 4Y7493P03 | 1 | 1 | 1 | 1 | | | |
| 28 | Mounting Bracket | | 4A6457G01 | 1 | 1 | 1 | 1 | | | |
| 28a | Thumbscrew | | 415949G10 | 2 | 2 | 2 | 2 | | | |
| 29 | Mechanical Bin Control | | 2A8598G01 | 1 | 1 | 1 | 1 | | | |
| 29a | Thumbscrew | | 415949G10 | 2 | 2 | 2 | 2 | | | |
| 30 | Power Supply Cord | | P00004-01 | 1 | 1 | 1 | 1 | | | |

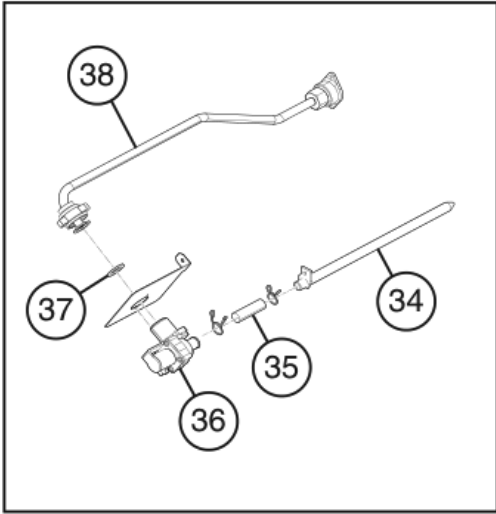
| Title: A. Main Assembly & Refrigeration Circuit Model: IM-200BAC | | | | | | | | | | | | |
|--|--|--------------------------|-------------|-----------------|----------------|---------|---------|--|--|--|--|--|
| Index No. | Description | Material or Model Number | Part Number | Required Number | | | | | | | | |
| | | | | J-0 to K-0 | K-0 (B) to N-0 | N-1 P-0 | P-1 Q-0 | | | | | |
| Refrigeration Circuit | | | | | | | | | | | | |
| 31 | Compressor | | P04395-01 | 1 | 1 | 1 | 1 | | | | | |
| 32 | Start Relay | | P04392-01 | 1 | 1 | 1 | 1 | | | | | |
| 33 | Start Capacitor | 189-227MFD, 250VAC | P04393-01 | 1 | 1 | 1 | 1 | | | | | |
| 34 | Overload Protector | | P03997-01 | 1 | 1 | 1 | 1 | | | | | |
| 35 | Condenser | | P03374-01 | 1 | 1 | 1 | 1 | | | | | |
| 36 | Shroud (A) | | 2X0938M01 | 1 | 1 | 1 | 1 | | | | | |
| 37 | Shroud (B) | | 3Y6296M01 | 1 | 1 | 1 | 1 | | | | | |
| 38 | Condenser Fan Motor | | P00466-01 | 1 | 1 | 1 | 1 | | | | | |
| 39 | Condenser Fan Blade | | 451771-01 | 1 | 1 | 1 | 1 | | | | | |
| 40 | Condenser Fan Bracket | | 3Y6143M01 | 1 | 1 | 1 | 1 | | | | | |
| 41 | Evaporator | | 3Y9249G01 | 1 | 1 | 1 | 1 | | | | | |
| 41a | Collar | | 3H3879-01 | 4 | 4 | 4 | 4 | | | | | |
| 41b | Screw - Evaporator | | 4Y4922M02 | 4 | 4 | 4 | 4 | | | | | |
| 41c | Washer | | 4H0777-01 | 4 | 4 | 4 | - | | | | | |
| | | | 7W22-0600 | | | | 4 | | | | | |
| 41d | Hex Flange Nut 6 SUS | | 7J02-0600 | 8 | 8 | 8 | 8 | | | | | |
| 42 | Thermistor | | P00350-01 | 1 | 1 | 1 | 1 | | | | | |
| 43 | Thermistor Holder | | 315479-01 | 1 | 1 | 1 | 1 | | | | | |
| 44 | Thermostatic Expansion Valve | | P04396-01 | 1 | 1 | 1 | 1 | | | | | |
| 45 | Thermostatic Expansion Valve Cover | | 3Y3196P01 | 1 | 1 | 1 | 1 | | | | | |
| 46 | Thermostatic Expansion Valve Bulb Holder | | 451267-01 | 1 | 1 | 1 | 1 | | | | | |
| 47 | Clamp | | 443461-01 | 1 | 1 | 1 | 1 | | | | | |
| 48 | Drier | | 458776-01 | 1 | 1 | 1 | 1 | | | | | |
| 49 | Hot Gas Valve | | 464103-01 | 1 | 1 | 1 | 1 | | | | | |
| 50 | Strainer | | 441569-02 | 1 | 1 | 1 | - | | | | | |
| | | | 441569-04 | | | | 1 | | | | | |
| 51 | High-Pressure Switch | | 463180-04 | 1 | 1 | 1 | 1 | | | | | |
| 52 | Heat Exchanger | | 271728G01 | 1 | 1 | 1 | 1 | | | | | |

B. Water Circuit & Mechanism Assembly

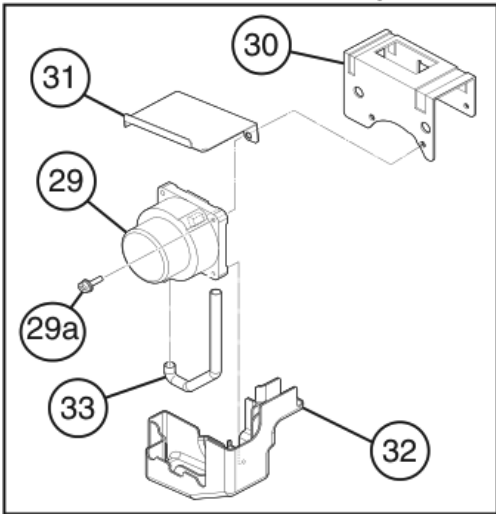
IM-200BAC

J-0 to Q-0

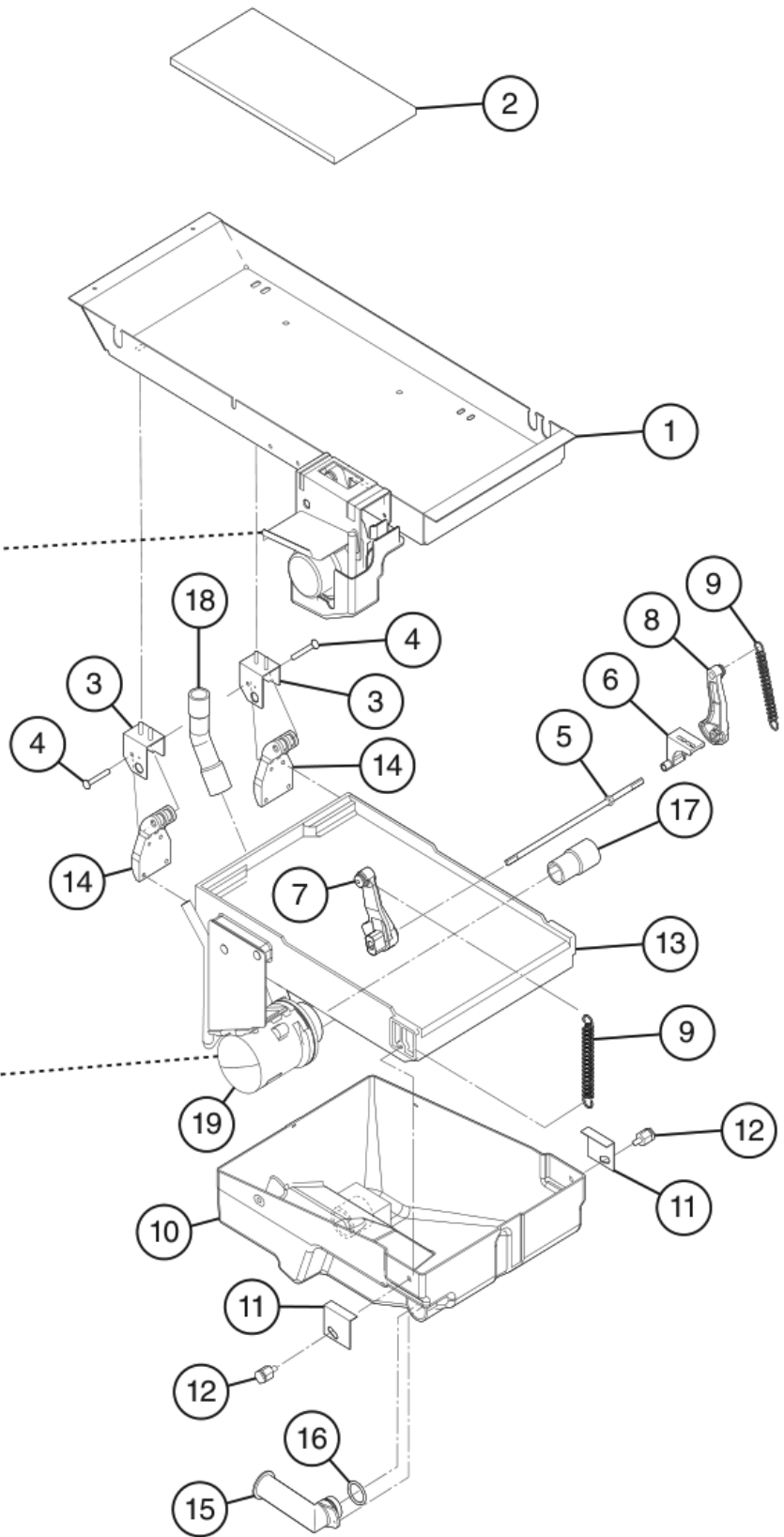
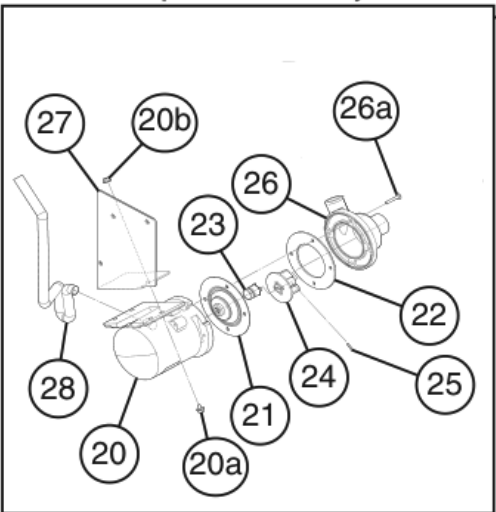
Water Circuit



Actuator Motor Assembly

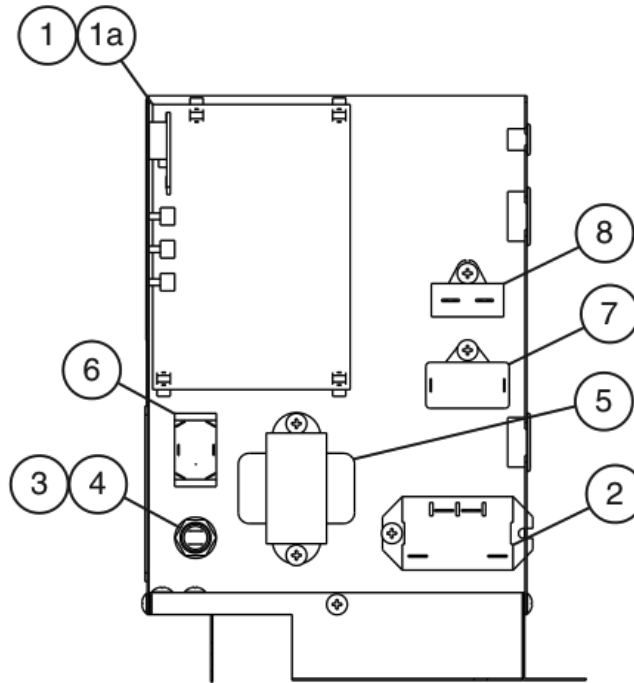


Pump Motor Assembly



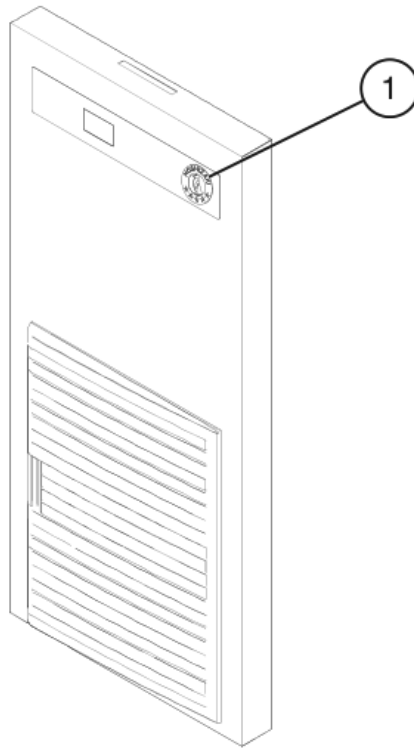
| Title: B. Mechanism Assembly & Water Circuit Model: IM-200BAC | | | | | | | | | | |
|---|---|--------------------------|-------------|-----------------|------------|------------|--|--|--|--|
| Index No. | Description | Material or Model Number | Part Number | Required Number | | | | | | |
| | | | | J-0 to M-2 | N-0 to N-1 | P-0 to Q-0 | | | | |
| 1 | Base | | 2A9068-01 | 1 | 1 | 1 | | | | |
| 2 | Insulation (D) | | 4Y7504P01 | 1 | 1 | 1 | | | | |
| 3 | Bearing Plate | | 3H1440G03 | 2 | 2 | 2 | | | | |
| 4 | Shaft (B) | | 4H1184-02 | 2 | 2 | 2 | | | | |
| 5 | Cam Shaft | | 4H2702G02 | 1 | 1 | 1 | | | | |
| 6 | Cam Shaft Bearing | | 3X8307-02 | 1 | 1 | 1 | | | | |
| 7 | Cam (A) | | 306543G04 | 1 | 1 | 1 | | | | |
| 8 | Cam (B) | | 376546P01 | 1 | 1 | 1 | | | | |
| 9 | Spring | | 481332M01 | 2 | 2 | - | | | | |
| | | | 4H0287-01 | | | 2 | | | | |
| 10 | Water Tank | | 2H2286G01 | 1 | 1 | 1 | | | | |
| 11 | Bracket | | 402957-01 | 2 | 2 | 2 | | | | |
| 12 | Boss Holder | | 4H2582G01 | 2 | 2 | 2 | | | | |
| 13 | Water Pan | | 2H0833G02 | 1 | 1 | 1 | | | | |
| 14 | Water Pan Hangar | | 3H2059-01 | 1 | 1 | 1 | | | | |
| 15 | Drain Pipe | | 315530-01 | 1 | 1 | 1 | | | | |
| 16 | O-Ring | | 7611-G025 | 1 | 1 | 1 | | | | |
| 17 | Suction Tube | | 4Y7518G01 | 1 | 1 | 1 | | | | |
| 18 | Discharge Tube | | 4Y6642R01 | 1 | 1 | 1 | | | | |
| 19 | Pump Motor Assembly (includes items 20 through 28) | | 261541A01 | 1 | - | | | | | |
| | | | 2B0628A01 | | 1 | 1 | | | | |
| 20 | Pump Motor | | 2A2758-01 | 1 | 1 | 1 | | | | |
| 20a | Hex Head Bolt | | 7B0230412 | 4 | - | | | | | |
| | Screw | | 7C32-0416 | | 4 | 4 | | | | |
| 20b | Flange Nut | | 7J02-0400 | 4 | 4 | 4 | | | | |
| 21 | Pump Flange | | 3A2988-01 | 1 | 1 | 1 | | | | |
| 22 | Pump Gasket | | 4A2974-01 | 1 | 1 | 1 | | | | |
| 23 | Mechanical Seal | | 465627-03 | 1 | 1 | 1 | | | | |
| 24 | Impeller | | 433522-01 | 1 | 1 | 1 | | | | |
| 25 | Pin | | 4A0648-01 | 1 | 1 | 1 | | | | |
| 26 | Pump Housing | | 261284P01 | 1 | 1 | 1 | | | | |
| 26a | Screw | 4x20 | 4A3871-01 | 4 | 4 | 4 | | | | |
| 27 | Pump Motor Bracket | | 381996M01 | 1 | 1 | 1 | | | | |
| 28 | Pump Motor Tube | | 8104-0004 | 1 | 1 | 1 | | | | |
| 29 | Actuator Motor | | P02382-01 | 1 | 1 | 1 | | | | |
| 29a | Hex Head Bolt | | FBK0620S0 | 2 | 2 | - | | | | |
| | | | 7P32-0420 | | | 2 | | | | |
| 30 | Actuator Motor Bracket | | 3Y3992M02 | 1 | 1 | 1 | | | | |
| 31 | Actuator Motor Shield | | 476684M01 | 1 | 1 | 1 | | | | |
| 32 | Actuator Motor Cover | | 1H4881P01 | 1 | 1 | 1 | | | | |
| 33 | Actuator Motor Tube | | 8104-0003 | 1 | 1 | 1 | | | | |
| 34 | Water Supply Pipe | | 381316G01 | 1 | 1 | 1 | | | | |
| 35 | Silicone Hose | 55 mm | 7730-1114 | 1 | 1 | 1 | | | | |
| 36 | Inlet Water Valve | | 3U0111-04 | 1 | 1 | 1 | | | | |
| 37 | Rubber Gasket | | 413854-03 | 1 | 1 | 1 | | | | |
| 38 | Water Supply Pipe (A) | | 387832A01 | 1 | 1 | 1 | | | | |

C. Control Box Assembly
IM-200BAC
 J-0 to Q-0



| Title: C. Control Box Assembly Model: IM-200BAC | | | | | | | | | | |
|---|--------------------------|--------------------------|---------------------------|-----------------|----------------|----------------|--|--|--|--|
| Index No. | Description | Material or Model Number | Part Number | Required Number | | | | | | |
| | | | | J-0 to M-0 | M-1 to N-1 (H) | N-1 (J) to Q-0 | | | | |
| 1 | Control Board | | P01873-02 | 1 | 1 | 1 | | | | |
| 1a | Control Board Support | | P04204-01 | 4 | 4 | 4 | | | | |
| 2 | Power Relay | 30A, 120VAC | 4A3140-01 | 1 | 1 | 1 | | | | |
| 3 | Fuse Holder | | P02829-01 | 1 | 1 | 1 | | | | |
| 4 | Fuse | AGC-5A, 250VAC | P04203-01 | 1 | 1 | 1 | | | | |
| 5 | Transformer | | 3A4395-01 | 1 | 1 | 1 | | | | |
| 6 | Toggle Switch | | P00033-01 | 1 | - | | | | | |
| | | | 443119-01 | | 1 | 1 | | | | |
| 7 | Pump Motor Capacitor | 5.5MFD, 250VAC | 443192-03 | 1 | 1 | 1 | | | | |
| 8 | Actuator Motor Capacitor | 0.8MFD, 250VAC | 416969-01 | 1 | 1 | - | | | | |
| | | 0.8MFD, 450VAC | P06515-01 | | | 1 | | | | |

D. Accessories & Labels
IM-200BAC
 J-0 to Q-0



| Title: D. Accessories & Labels Model: IM-200BAC | | | | | | | | | | |
|--|-----------------|--------------------------|-------------|-----------------|------------|--|--|--|--|--|
| Index No. | Description | Material or Model Number | Part Number | Required Number | | | | | | |
| | | | | J-0 to M-2 | N-0 to Q-0 | | | | | |
| 1 | Operation Label | | 374135L03 | 1 | 1 | | | | | |
| 2 | Leg | | 4A2525-01 | 5 | 5 | | | | | |
| 3 | Scoop | | 1H4123P02 | 1 | - | | | | | |
| | | | 2X4119P01 | | 1 | | | | | |