

Hoshizaki America, Inc.

Dishwasher

Models

JWE-2400CUA-L-25B

JWE-2400CUA-R-25B



"A Superior Degree
of Reliability"

www.hoshizaki.com

PARTS LIST



Number: J002-3446
Issued: 3 -1 - 2011
Revised: 10-26-2012

Auxiliary Codes

JWE-2400CUA-L-25B

JWE-2400CUA-R-25B

A-1 March 2011

B-0 January 2012

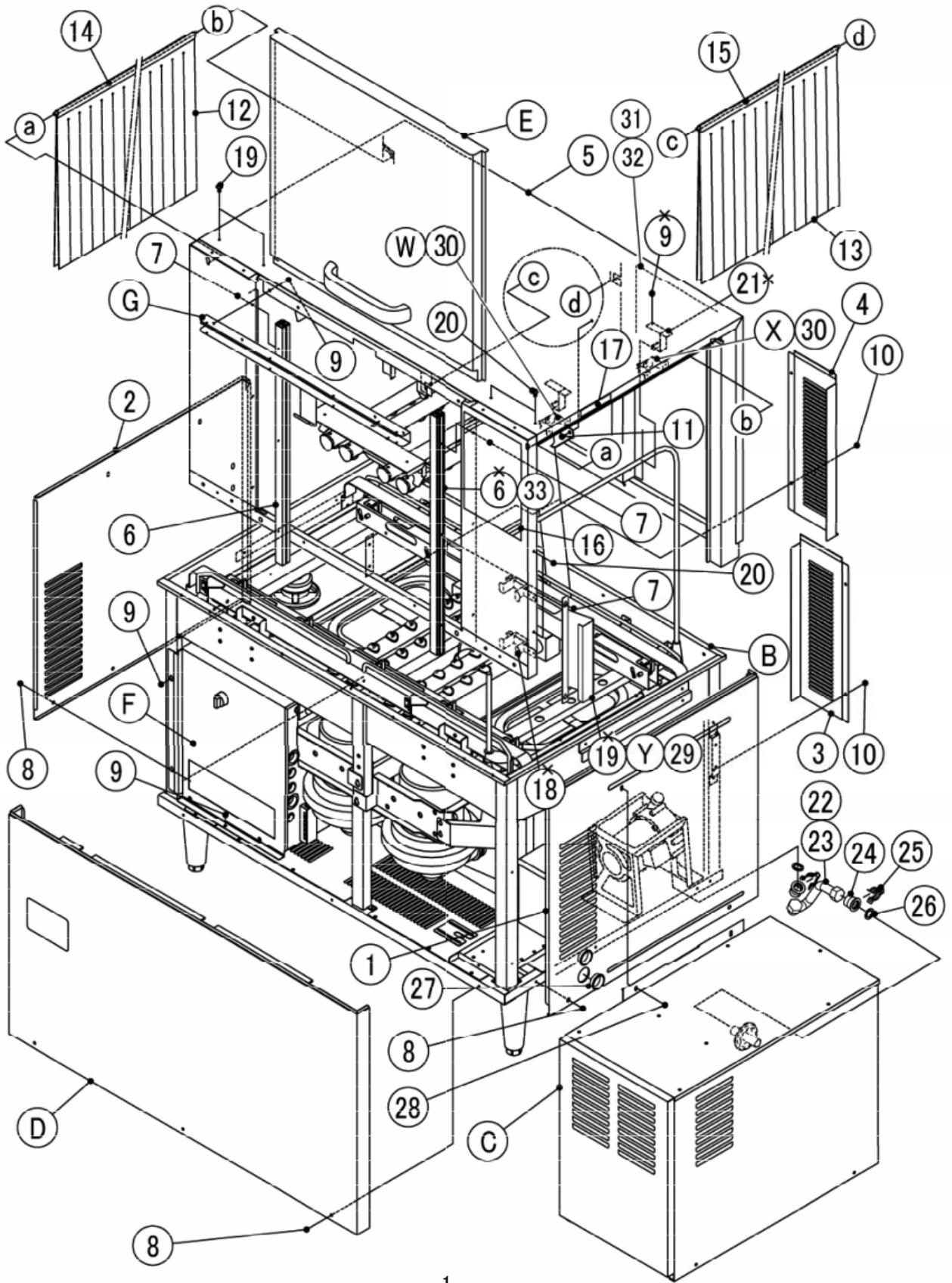
B-1 April 2012

Auxiliary Code Breakdown

The auxiliary code is the first two characters in the serial number. The first character indicates the year. Years progress or regress in alphabetical order. The series runs from "A" through "V" and the letters "I" and "O" are skipped. The second character indicates significant part changes within a year. Base is "0" and this number advances for each change. In cases where there is a letter in parentheses, this designates the month. This is the last character in the serial number. The series runs from "(A)" through "(M)" and the letter "(I)" is skipped. This designation is only included when identifying a parts change within an auxiliary code.

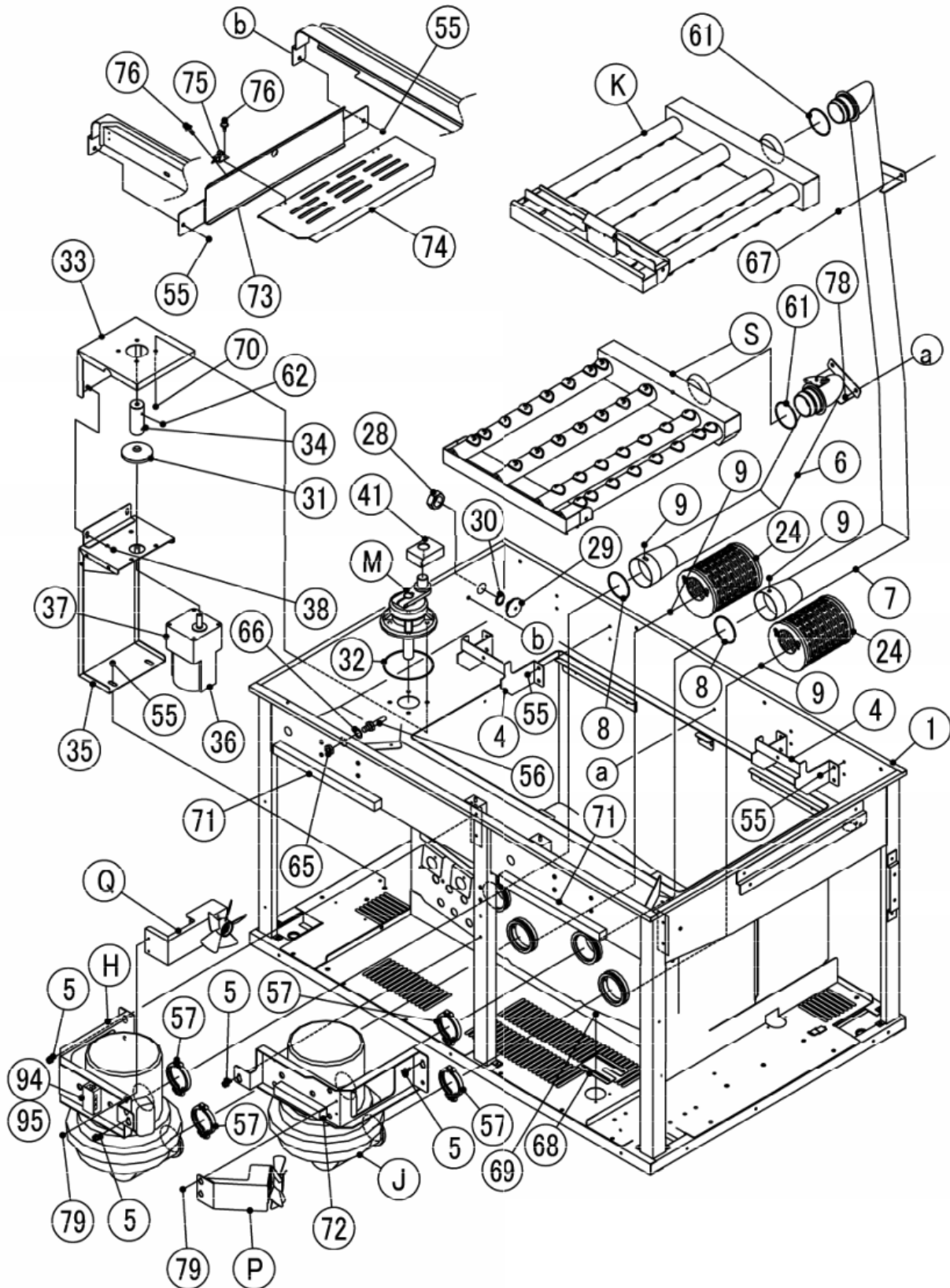
Note About Ordering Parts

Most assemblies cannot be ordered as complete units; parts in the assemblies generally must be ordered separately.

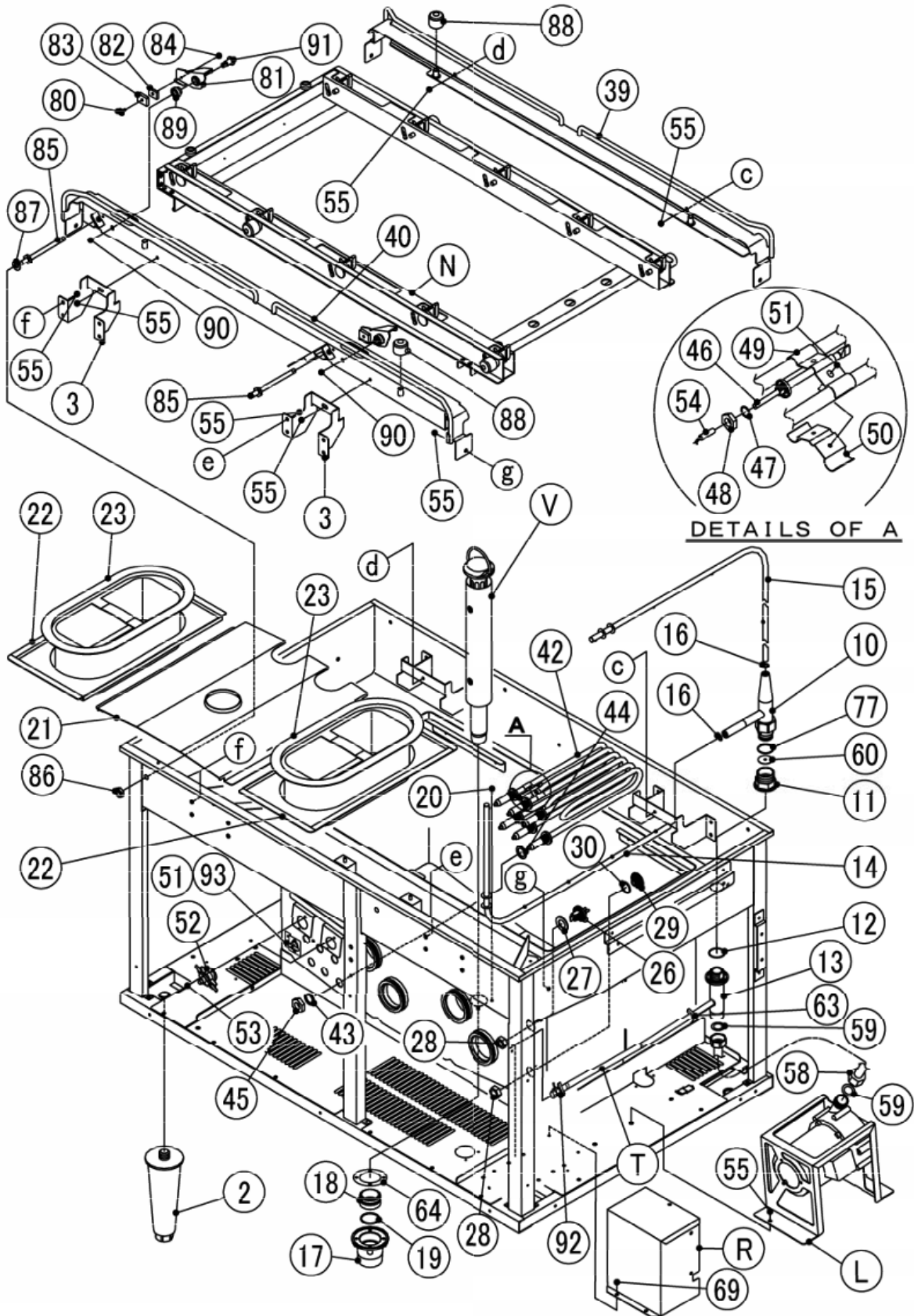


HA

MODEL : JWE-2400CUA-L-25B		TITLE : A. DISHWASHER ASSY					
INDEX NO.	DESCRIPTION	MATERIAL OR MODEL NUMBER	PART NUMBER	REQ'D NUMBER			
				A-1 B-0	B-1		
B	TANK ASSY	-	1H4641007	1	1		
C	BOOSTER ASSY	-	1H4673A01	1	1		
D	FRONT PANEL ASSY	-	2H9952A01	1	1		
E	SERVICE PANEL ASSY	-	2H8185A02	1	1		
F	CONTROL BOX ASSY	-	1H4674A01	1	1		
G	HOOK ASSY	-	3Y2348A01	1	1		
W	RINSE BRACKET A - ASSY		3Y6625A01		1		
X	RINSE BRACKET B - ASSY		3Y6626A01		1		
Y	RINSE BRACKET C - ASSY		3Y6629A01		1		
Z	ACCESSORIES	-	A02280-01	1	1		
1	SIDE PANEL (R-L)	S.S	3Y5367G01	1	1		
2	SIDE PANEL (L-L)	S.S	3Y5342A01	1	1		
3	REAR PANEL (R-L)	S.S	3Y5052M01	1	1		
4	REAR PANEL (L-L)	S.S	3Y5379M01	1	1		
5	TOP PANEL (L)	S.S	1H4675G01	1	-		
			1H5149G01		1		
6	RAIL	PVC	3Y2211P01	2	1		
7	TRUSS HEAD TAPPING SCREW	S.S	FT20408M0	6	6		
8	TRUSS HEAD MACHINE SCREW	S.S	P01647-01	7	7		
9	HEX HEAD BOLT W/ WASHERS	S.S	FBK0408S0	13	9		
10	FLANGE BOLT	S.S	FTF0408S0	4	4		
11	HEX HEAD BOLT W/ WASHERS	S.S	FBK0512S0	24	24		
12	CURTAIN (S)	TPE	2X0869P01	2	2		
13	CURTAIN (L)	TPE	2X0870P01	1	1		
14	SHAFT-CURTAIN	S.S	4Y4129M01	2	2		
15	SHAFT-CURTAIN	S.S	4Y4129M02	1	1		
16	MAINTENANCE LABEL	-	373615L01	1	1		
17	WARNING LABEL	-	474626L01	2	2		
18	SUPPORT-RINSE BRACKET	S.S	4Y4497M02	2	-		
19	GUARD-RINSE (L)	S.S	3Y5377M01	1	-		
20	HEX HEAD BOLT W/ WASHERS	S.S	FBK0412S0	2	2		
21	BRACKET - RINSE PIPE	S.S	4Y6884G01	2	-		



B. TANK ASSY (2/2)



HA

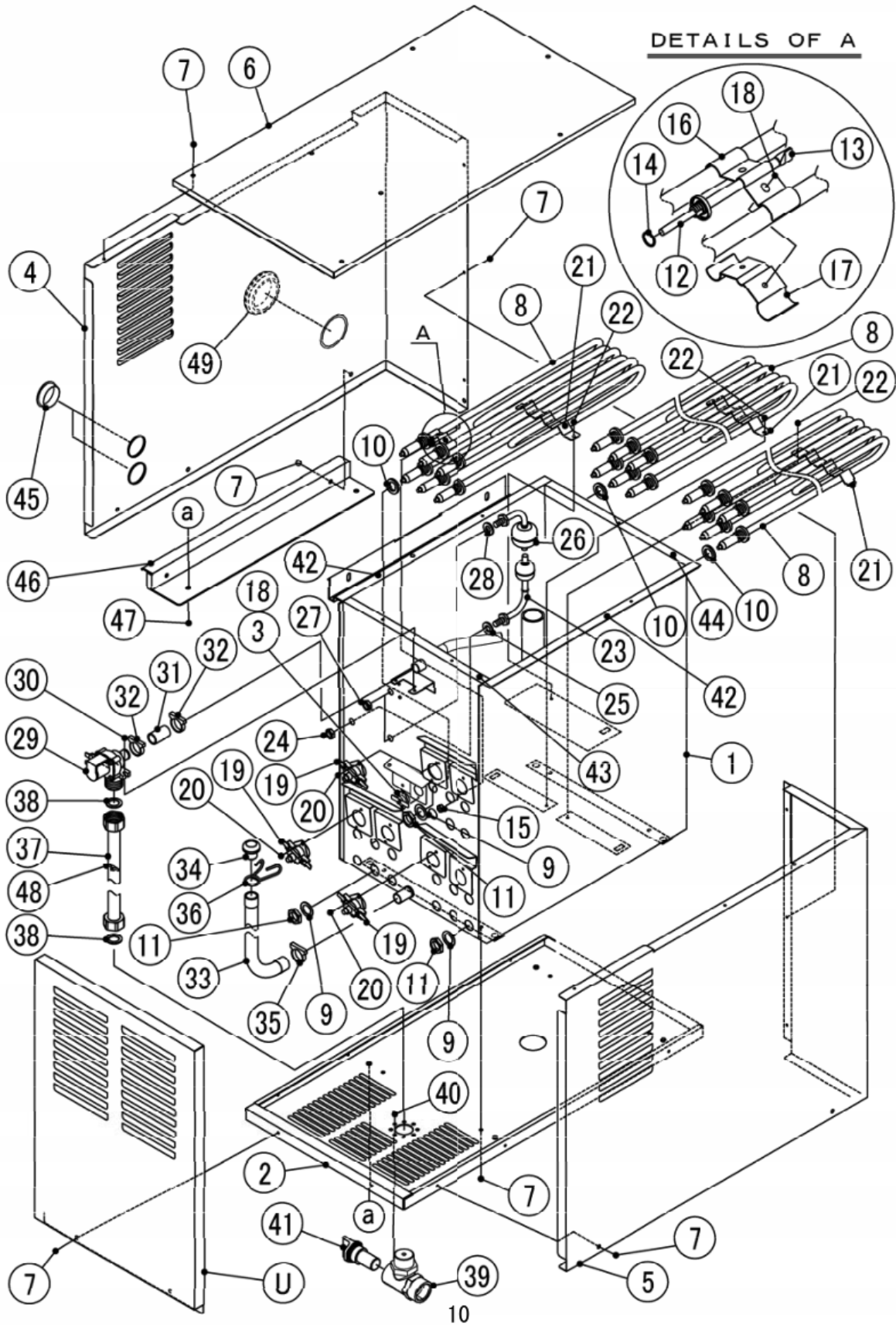
MODEL : JWE-2400CUA-L-25B TITLE : B. TANK ASSY							
INDEX NO.	DESCRIPTION	MATERIAL OR MODEL NUMBER	PART NUMBER	REQ'D NUMBER			
				A-1 B-0	B-1		
H	WASH PUMP (B) ASSY	-	3Y2257A02	1	1		
J	WASH PUMP (A) ASSY	-	3Y2256A02	1	1		
K	SPRAY ARM (UP) ASSY	-	3Y2572A02	1	1		
L	RINSE PUMP ASSY	-	3Y5396A01	1	1		
M	CRANK UNIT ASSY	-	2X0331A02	1	1		
N	CONVEYOR RAIL ASSY	-	1H4648A02	1	1		
P	FAN MOTOR ASSY	-	4Y4175A02	1	1		
Q	FAN MOTOR (B) ASSY	-	4Y4242A02	1	1		
R	FAN MOTOR (C) ASSY	-	4Y6603A01	1	1		
S	SPRAY ARM (LO) ASSY	-	3Y2573A02	1	1		
T	HOSE - CLEANSER ASSY	-	4Y4186A02	1	1		
V	OVERFLOW PIPE ASSY		3Y6607A01	1	1		
1	FLUSH TANK (L)	S.S	1H4736G01	1	1		
2	ADJUSTABLE LEG	SD-240HF-D	P01591-01	4	4		
3	BRACKET (B) - RAIL	S.S	4Y6418M02	2	2		
4	BRACKET (A) - RAIL	S.S	4Y6417M02	2	2		
5	HEX HEAD BOLT W/ WASHERS	S.S	FBK0512S1	6	6		
6	WASH PIPE (LO)	S.S	2H8701G02	1	1		
7	WASH PIPE (UP)	S.S	2H8155G02	1	1		
8	O-RING	NBR	7611-G055	2	2		
9	HEX HEAD BOLT W/ WASHERS	S.S	FBK0408S0	6	6		
10	CLEAN PIPE (C)	S.S	3Y2820G01	1	1		
11	JOINT - CLEAN PIPE	S.S	4Y4548M01	1	1		
12	O-RING	NBR	7611-P028	1	1		
13	CLEAN PIPE (B)	S.S	4Y6919G01	1	1		
14	RINSE PIPE (LO)	S.S	3Y2223G01	1	-		
			3Y6568G01		1		
15	RINSE PIPE (UP)	S.S	3Y2225G01	1	-		
			3Y6567G01		1		
16	U-PACKING	EPDM	4Y3371-04	2	2		
17	DRAIN PIPE	S.S	3Y5054M01	1	1		
18	JOINT - OVERFLOW	PE	4Y3176-01	1	1		

HA

MODEL : JWE-2400CUA-L-25B TITLE : B. TANK ASSY							
INDEX NO.	DESCRIPTION	MATERIAL OR MODEL NUMBER	PART NUMBER	REQ'D NUMBER			
				A-1 B-0	B-1		
19	O-RING	NBR	7611-G050	1	1		
20	SCREW	S.S	4Y1319-06	4	4		
21	SEPARATOR (A)	S.S	2H8101M02	1	1		
22	SEPARATOR (B)	S.S	3Y2237M02	2	2		
23	TANK FILTER	S.S	3Y0673G02	2	2		
24	PUMP GUARD	S.S	4Y3344G01	2	2		
25	OVERFLOW PIPE	S.S	3Y5804G01	-	-		
26	LEVEL SENSOR		3X4140G01	1	1		
27	PACKING (B) - SENSOR	SI.R	4X5112-01	1	1		
28	NUT	M22	4Y3670-01	3	3		
29	CAP	PPS	4Y3177-01	2	2		
30	O-RING	EPDM	7614-G025	2	2		
31	FRINGER	NBR	4Y6567R01	1	1		
32	O-RING	NBR	7611-P070	1	1		
33	BRACKET (A) - GM	S.S	4Y7052G02	1	1		
34	COUPLING (B)	S.S	4Y7051M01	1	1		
35	BRACKET (J) - GM	S.S	3Y3094G02	1	1		
36	GEARMOTOR	M9MX40G4YG	P01695-01	1	1		
37	GEARHEAD	MX9G60B	P01696-01	1	1		
38	U-NUT	S.S	FNU106S0	2	2		
39	RACK RAIL (B-L)	S.S	3Y4825G02	1	1		
40	RACK RAIL (A-L)	S.S	3Y4824G01	1	1		
41	SLIDE BLOCK	PE	4Y4138P01	1	1		
42	SHEATH HEATER	HU23280D	P01721-01	6	6		
43	WASHER	S.S	P01721F01	12	12		
44	PACKING	SI.R	P01721F02	12	12		
45	NUT	S.S	P01721F03	12	12		
46	THERMISTOR PIPE - WELD	S.S	4Y3183G01	1	1		
47	O-RING	EPDM	7614-P007	1	1		
48	NUT	S.S	FNH106S0	1	1		
49	THERMOSTAT PLATE (UP)	S.S	4Y3164-01	4	4		
50	THERMOSTAT PLATE (LO)	S.S	4Y3163-01	4	4		

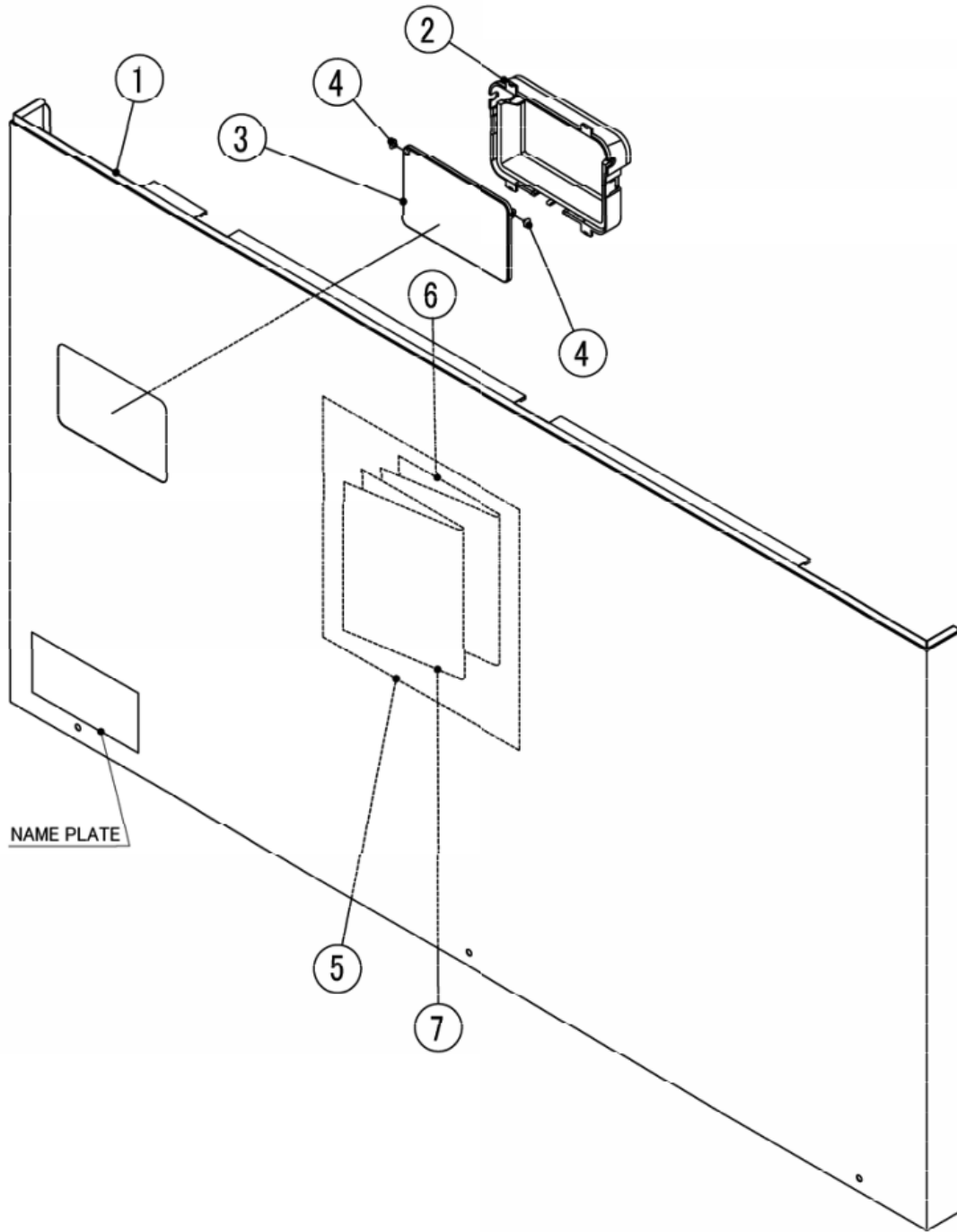
HA

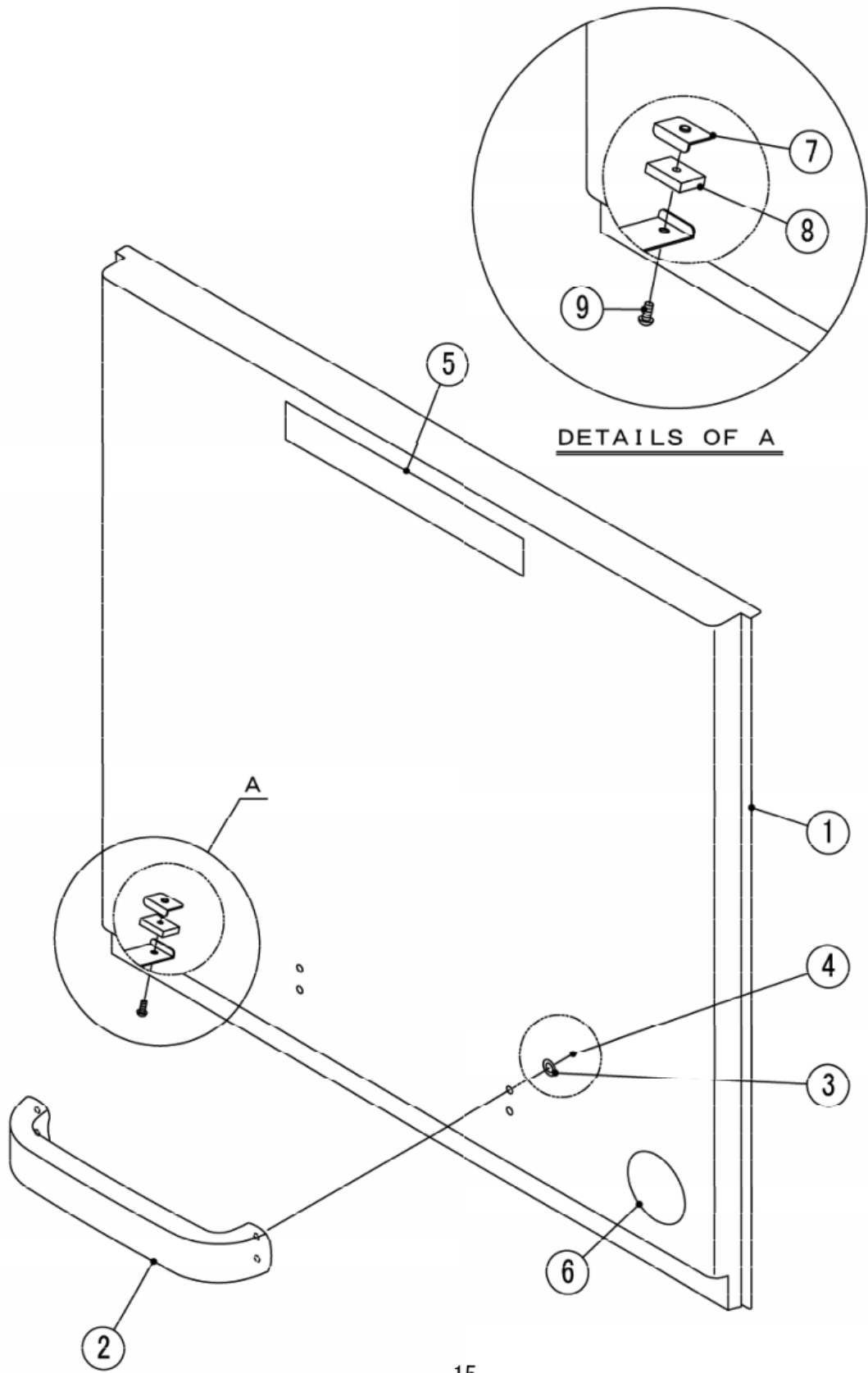
MODEL : JWE-2400CUA-L-25B TITLE : B. TANK ASSY							
INDEX NO.	DESCRIPTION	MATERIAL OR MODEL NUMBER	PART NUMBER	REQ'D NUMBER			
				A-1 B-0	B-1		
51	PAN HEAD MACHINE SCREW W/ WASHERS	S.S	FSK0305S0	10	10		
52	THERMOSTAT	CR-1	4Y1929-02	4	4		
53	PAN HEAD MACHINE SCREW W/ WASHERS	S.S	FSK0408S0	8	8		
54	THERMISTOR (A) - ASSY	NTFC-51F-H20-2	449758-02	1	1		
55	HEX HEAD BOLT W/ WASHERS	S.S	FBK0612S1	27	27		
56	REED SWITCH	HC10	P00205-01	1	1		
57	BAND - PUMP	S.S	4Y7714A02	4	4		
58	FLEXIBLE PIPE	S.S	442363-13	1	1		
59	PACKING - TUBE		4H9792-01	3	3		
60	SPACER (B) - RINSE PUMP	S.S	4Y4549M02	1	1		
61	O-RING	NBR	7611-P045	2	2		
62	HEX SOCKET SET SCREW (FLAT PO	S.S	FSC0505S0	4	4		
63	HOSE CLAMP	SNP-7	435947-01	1	1		
64	PACKING - JOINT	EPDM	4Y3165-01	1	1		
65	NUT	S.S	P00205F01	1	1		
66	PACKING	SI.R	P00205F02	1	1		
67	HEX HEAD BOLT W/ WASHERS	S.S	FBK0512S0	2	2		
68	SLIDE COVER	S.S	447336-01	1	1		
69	FLANGE BOLT	S.S	FBF0408S0	5	5		
70	HEX HEAD BOLT W/ WASHERS	S.S	FBK0512S1	4	4		
71	CUSHION (A)	PE	4Y4369P01	2	2		
72	CUSHION (B)	PE	4Y4370P01	1	1		
73	COVER (A) - FRAME	S.S	3Y2618M02	1	1		
74	COVER (B) - FRAME	S.S	3Y2619M02	1	1		
75	HINGE	S.S	443721-01	2	2		
76	SCREW	S.S	4Y4752M01	8	8		
77	O-RING	NBR	7611AP022	1	1		
78	HEX HEAD BOLT W/ WASHERS	S.S	FBK0512S0	2	2		
79	HEX HEAD BOLT W/ WASHERS	S.S	FBK0412S1	4	4		
80	SCREW	S.S	4Y1319-06	2	2		
81	SWITCH PLATE (L)	S.S	4Y6424G01	2	2		
82	MAGNET		P00206-01	2	2		

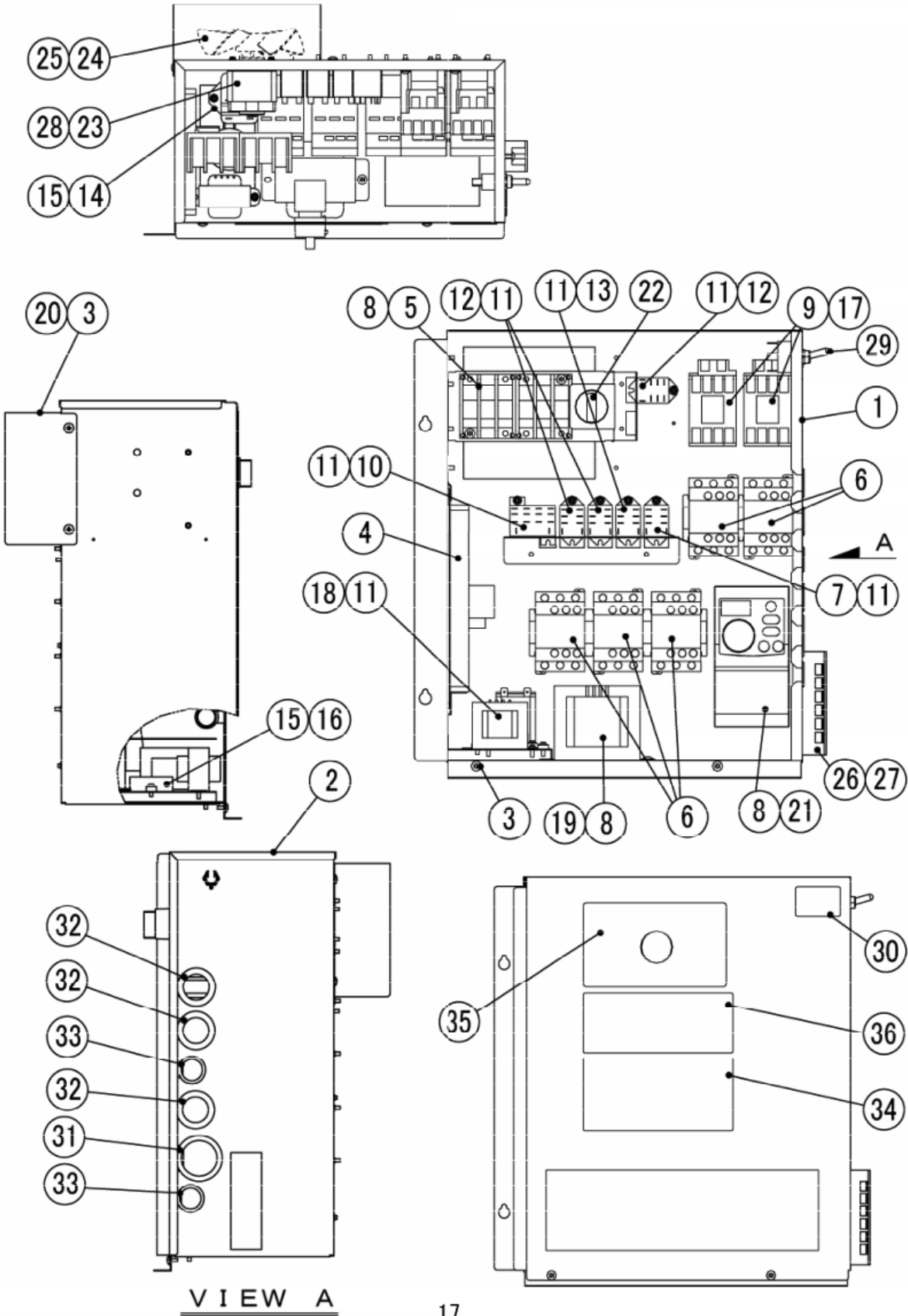


HA

MODEL : JWE-2400CUA-L-25B TITLE : C. BOOSTER ASSY							
INDEX NO.	DESCRIPTION	MATERIAL OR MODEL NUMBER	PART NUMBER	REQ'D NUMBER			
				A-1 B-0	B-1		
U	FRONT PANEL - BOOSTER	-	3Y5363A01	1	1		
1	BOOSTER TANK	S.S	3Y5055G01	1	1		
2	BASE - BOOSTER	S.S	3Y5056M01	1	1		
3	THERMOSTAT	05N-V035-090	P02207-01	1	1		
4	SIDE PANEL (R) - BOOSTER	S.S	2H9955M01	1	1		
5	SIDE PANEL (L) - BOOSTER	S.S	2H9956M01	1	1		
6	TOP PANEL - BOOSTER	S.S	3Y5057M01	1	1		
7	TRUSS HEAD MACHINE SCREW	S.S	FST0408S0	19	19		
8	SHEATH HEATER	HV-23280D	P01721-01	9	9		
9	WASHER	S.S	P01721F01	18	18		
10	PACKING	SI.R	P01721F02	18	18		
11	NUT	S.S	P01721F03	18	18		
12	THERMISTOR (C) - ASSY	NTFC-51F-H5-2	P00574-01	1	1		
13	THERMISTOR PIPE - WELD	S.S	4Y3183G01	1	1		
14	O-RING	EPDM	7614-P007	1	1		
15	NUT	S.S	FNH106S0	1	1		
16	THERMOSTAT PLATE (UP)	S.S	4Y3164-01	1	1		
17	THERMOSTAT PLATE (LO)	S.S	4Y3163-01	1	1		
18	PAN HEAD MACHINE SCREW W/ WASHERS	S.S	FSK0305S0	4	4		
19	THERMOSTAT	CR-1	4Y1929-02	6	6		
20	PAN HEAD MACHINE SCREW W/ WASHERS	S.S	FSK0408S0	12	12		
21	BAND - HEATER	S.S	4Y6604M01	3	3		
22	HEX HEAD BOLT W/ WASHERS	S.S	FBK0408S1	3	3		
23	FLOAT SWITCH	OLV-20-E	449401-01	1	1		
24	NUT	S.S	449401F01	1	1		
25	PACKING	SI.R	449401F02	1	1		
26	FLOAT SWITCH	OLV-20-C1	4Y2820-01	2	2		
27	NUT	S.S	4Y2820F01	2	2		
28	PACKING	SI.R	4Y2820F02	2	2		
29	WATER VALVE	J248-076F	456461-01	1	1		
30	TRUSS HEAD MACHINE SCREW	S.S	FST0410S0	2	2		
31	HOSE - WV		4Y3492-01	1	1		

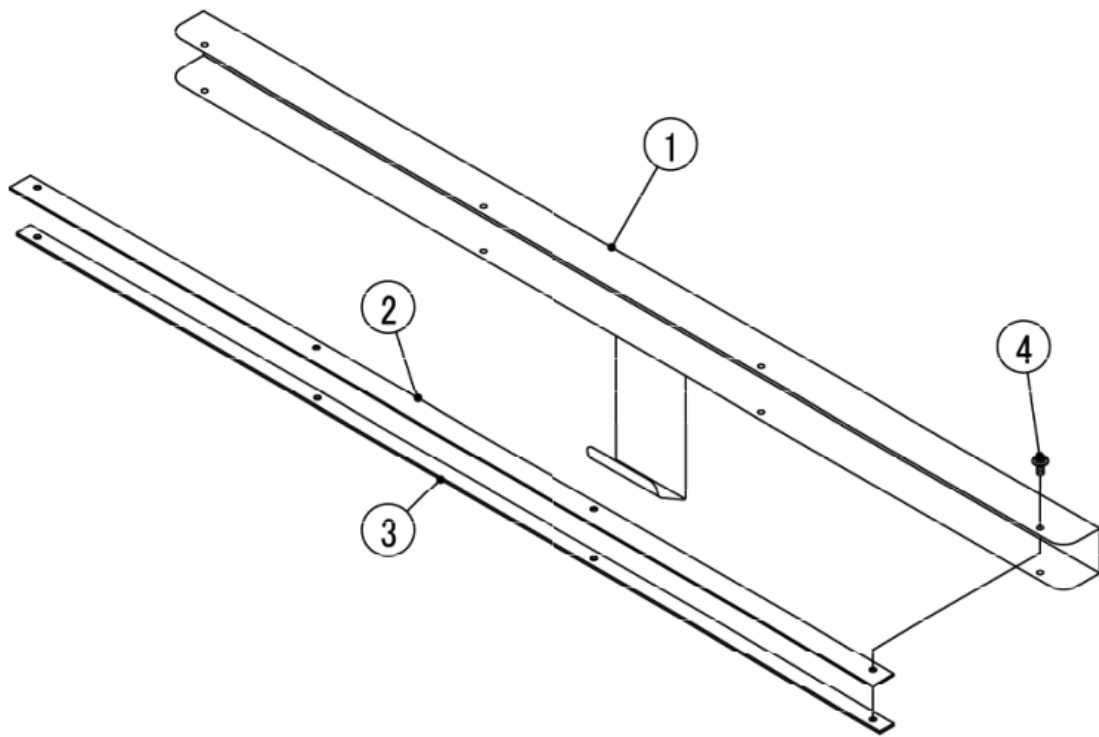


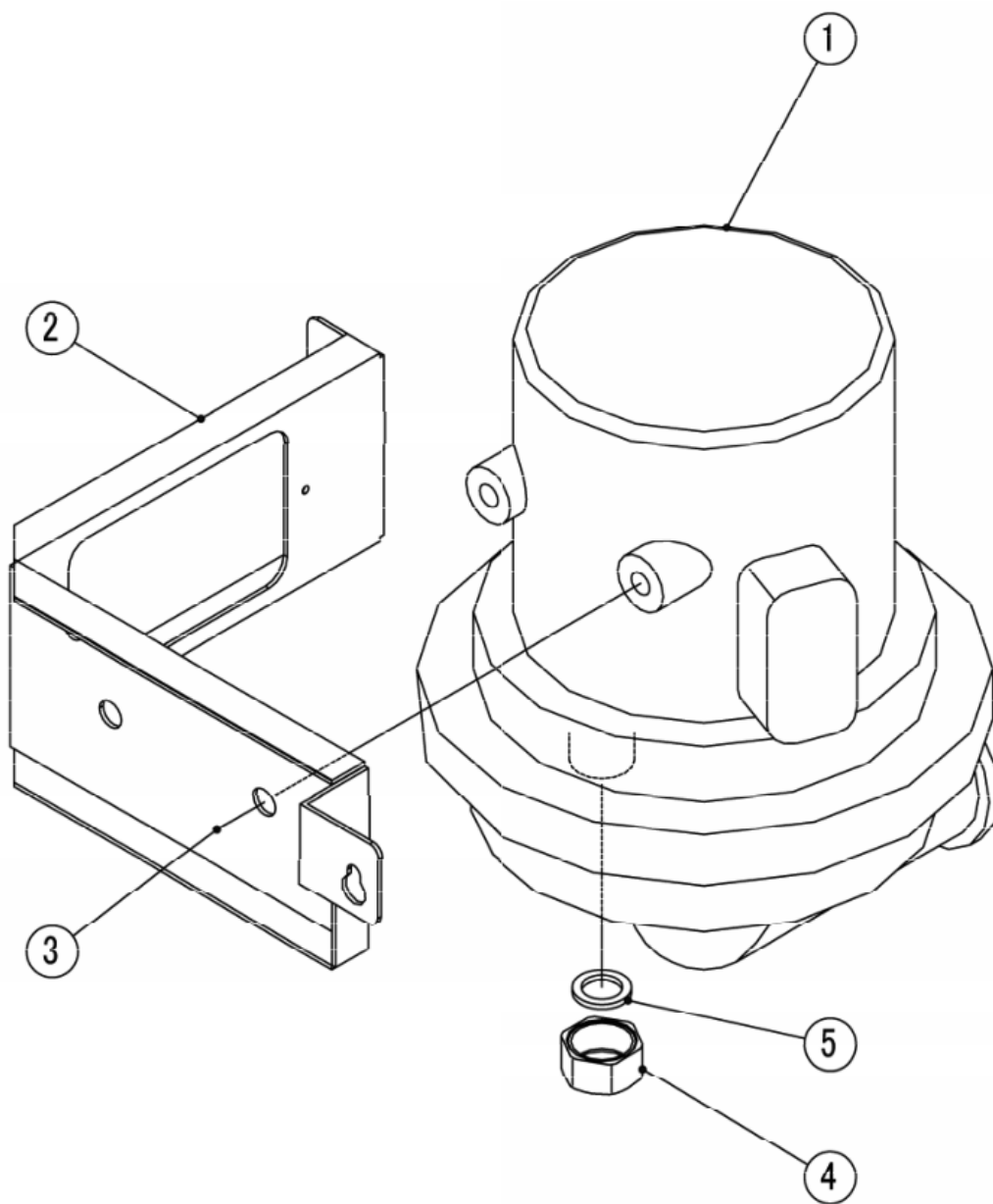


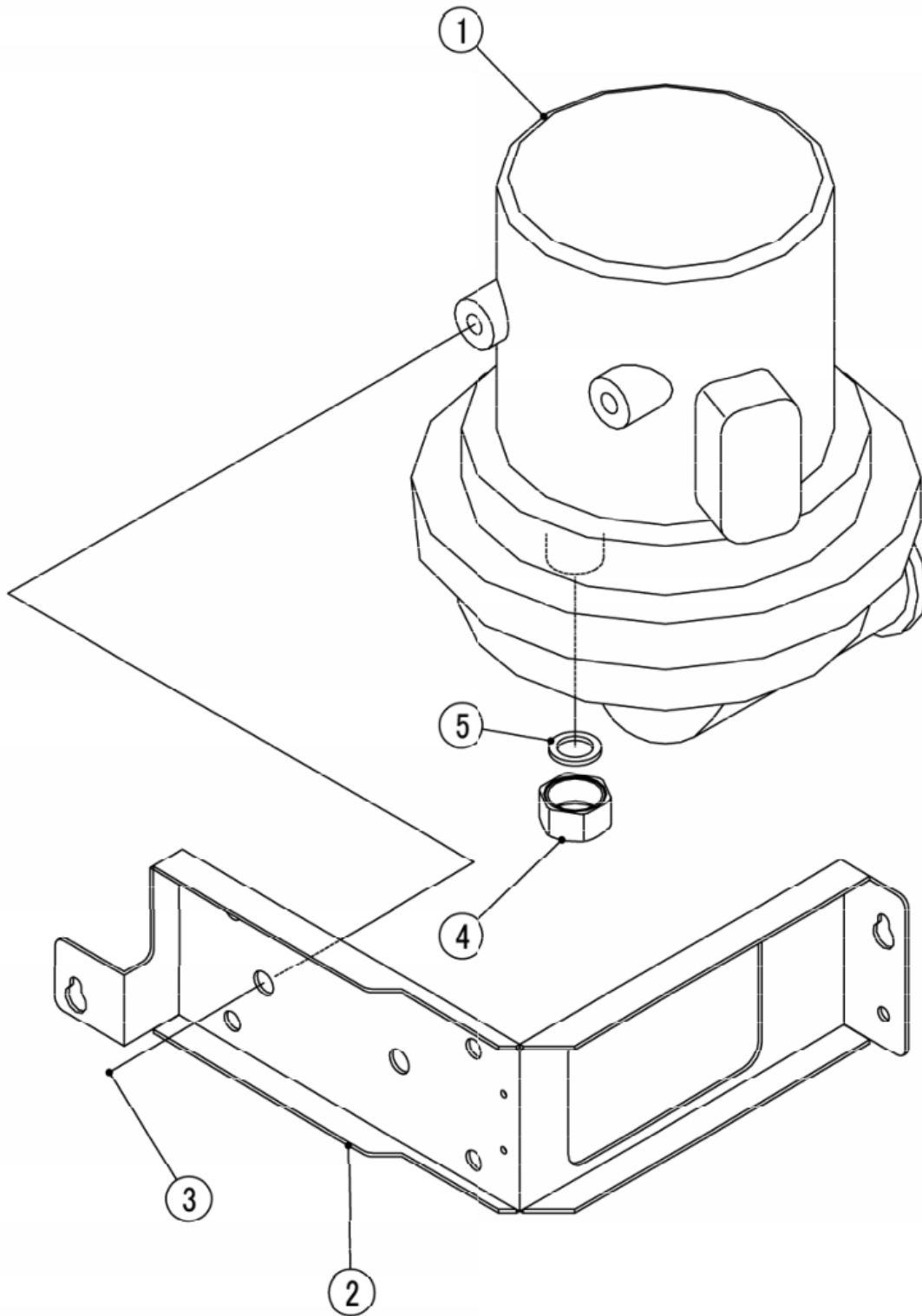


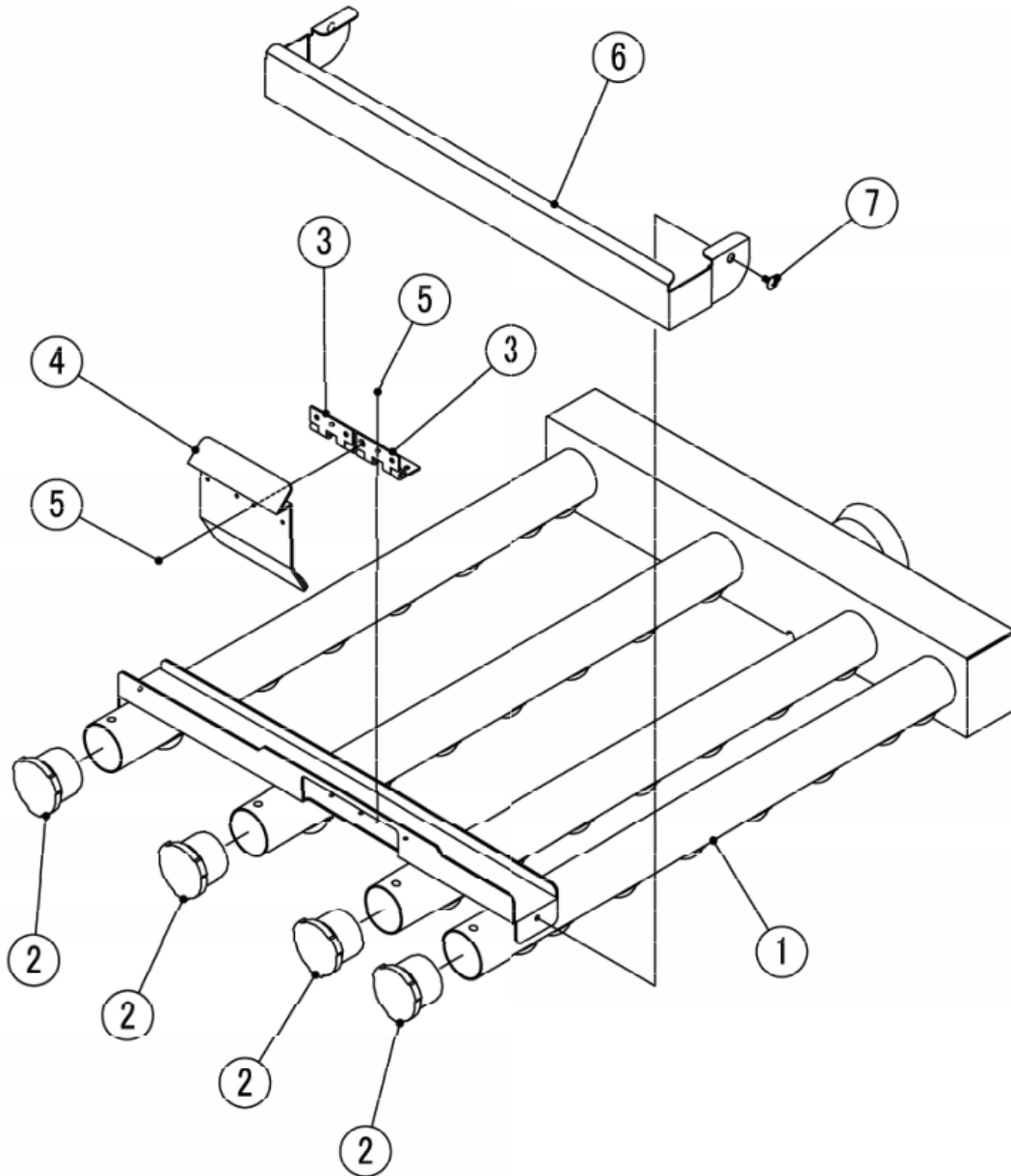
HA

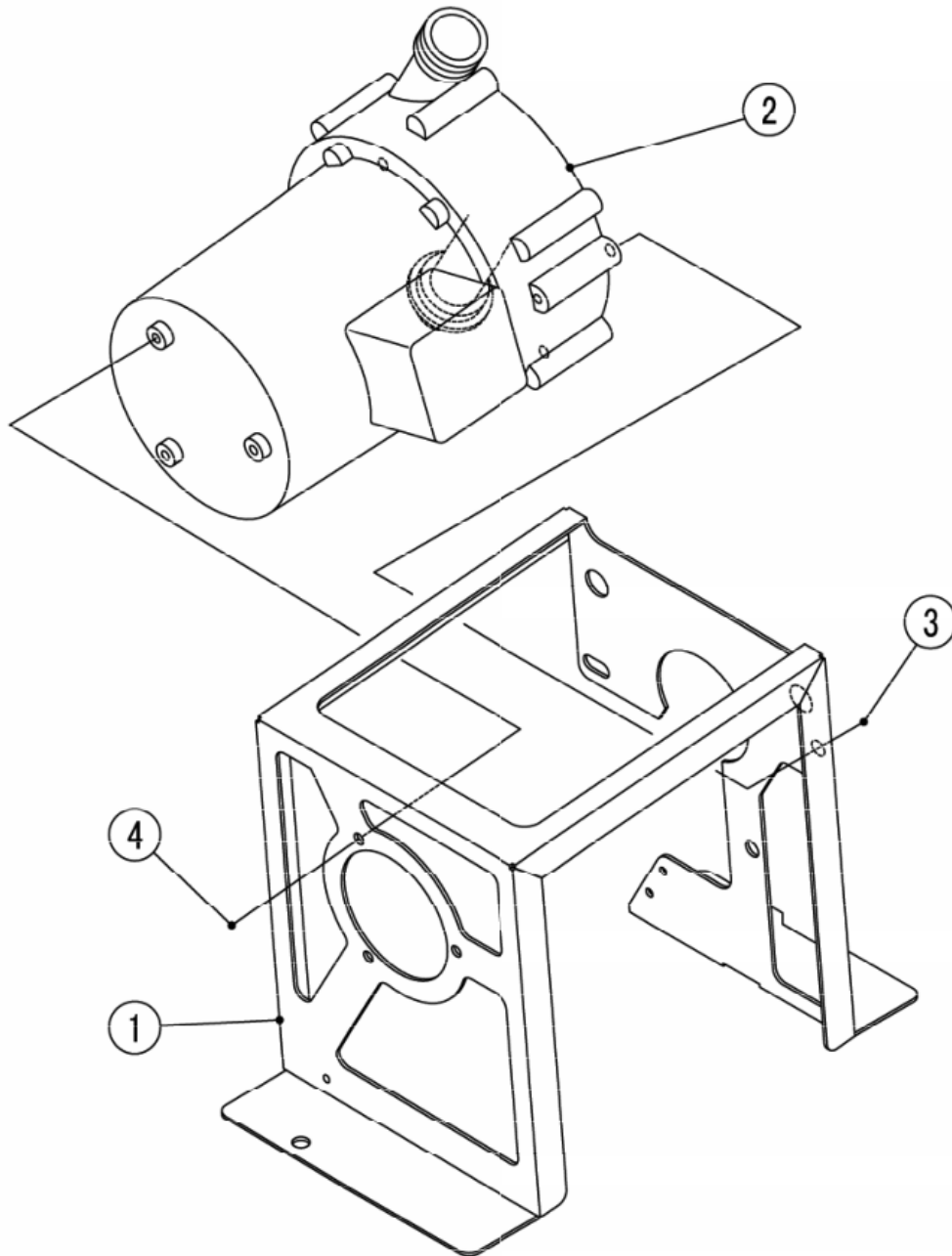
MODEL : JWE-2400CUA-L-25B TITLE : F. CONTROL BOX ASSY							
INDEX NO.	DESCRIPTION	MATERIAL OR MODEL NUMBER	PART NUMBER	REQ'D NUMBER			
				A-1 B-0	B-1		
1	CONTROL BOX	S.S	2H9958G01	1	1		
2	COVER - CONTROL BOX	S.S	3Y5060G01	1	1		
3	TRUSS HEAD TAPPING SCREW	S.S	FT20408M0	6	6		
4	CONTROLLER BOARD	HSTZZD0095	P01831-01	1	1		
5	TERMINAL BLOCK	1413400	4A5358-01	2	2		
6	MAGNETIC CONTACTOR	LC1D186L7-HS	4Y2392-02	5	5		
7	RELAY	LY2ZF	406132-05	1	1		
8	TRUSS HEAD MACHINE SCREW	S.S	FST0408S0	6	6		
9	MAGNETIC CONTACTOR	S-N11	4Y3365-01	2	2		
10	RELAY	LY4F	406133-02	1	1		
11	TP TAPPING SCREW	S.S	431415-01	7	7		
12	RELAY	LY1F	418271-02	3	3		
13	RELAY	LY2F	406132-02	1	1		
14	RELAY - PHASE REVERSAL	RDR-S230-M	P01000-01	1	1		
15	TP TAPPING SCREW	S.S	431415-03	4	4		
16	BUZZER	PKB5-3A24-ASSY	463024-01	1	1		
17	TRUSS HEAD MACHINE SCREW	S.S	FST0416S0	4	4		
18	TRANSFORMER	10012	P01763-01	1	1		
19	TRANSFORMER	HO4118-000	P02049-01	1	1		
20	COVER (C) -FAN MOTOR	S.S	4Y4264M01	1	1		
21	INVERTER	FR-D720-0.1K-60	P01775-01	1	1		
22	SELECT SWITCH	A22-3M	P00202-01	1	1		
23	FAN MOTOR	F3042R	P01203-01	1	1		
24	FAN	PP	449942-01	1	1		
25	SPEED NUT	S.S	449942F01	1	1		
26	TERMINAL BLOCK	T3052-1-6P-CS	P01375-04	1	1		
27	TRUSS HEAD MACHINE SCREW	S.S	FST0412S0	2	2		
28	PAN HEAD MACHINE SCREW W/ WASHERS	S.S	FSK0308S0	2	2		
29	VOLTAGE TAP SWITCH	WD11019F	P01446-01	1	1		
30	LABEL-VOLTAGE TAP		474063L01	1	1		
31	BUSHING	SB-1375-16	420470-04	2	2		
32	BUSHING	OCB-1000	428394-05	3	3		

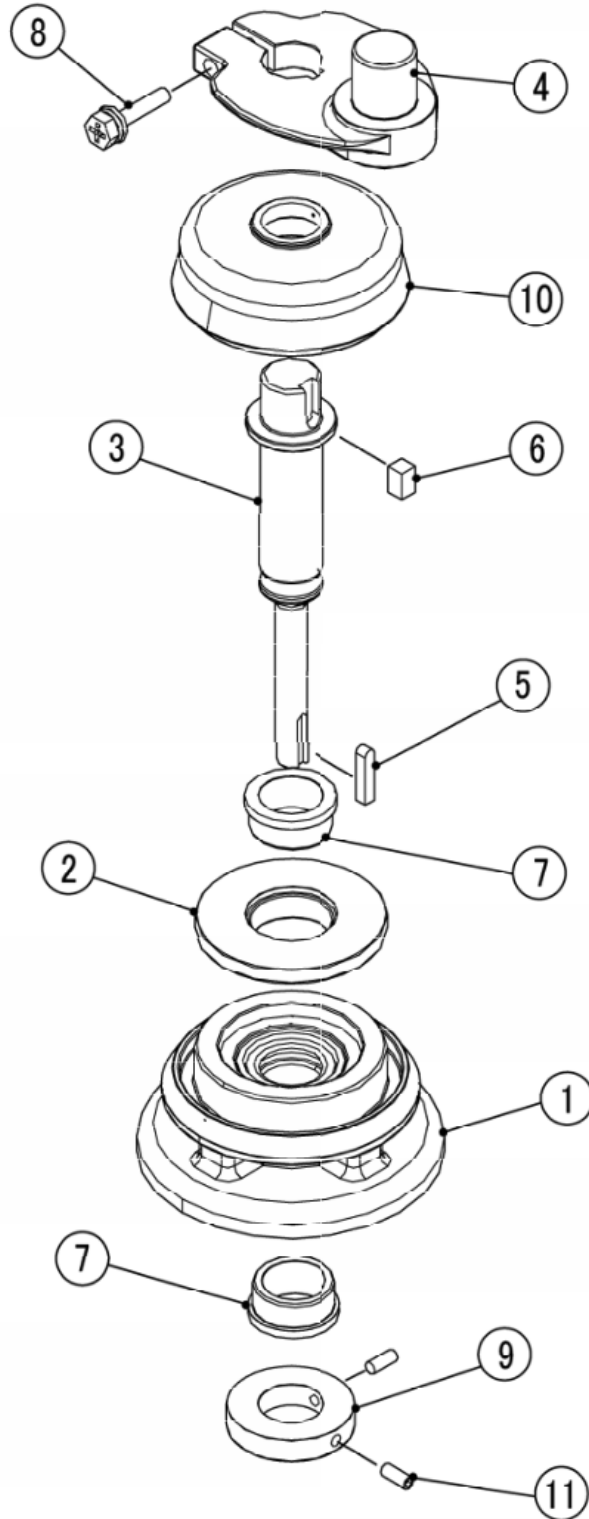


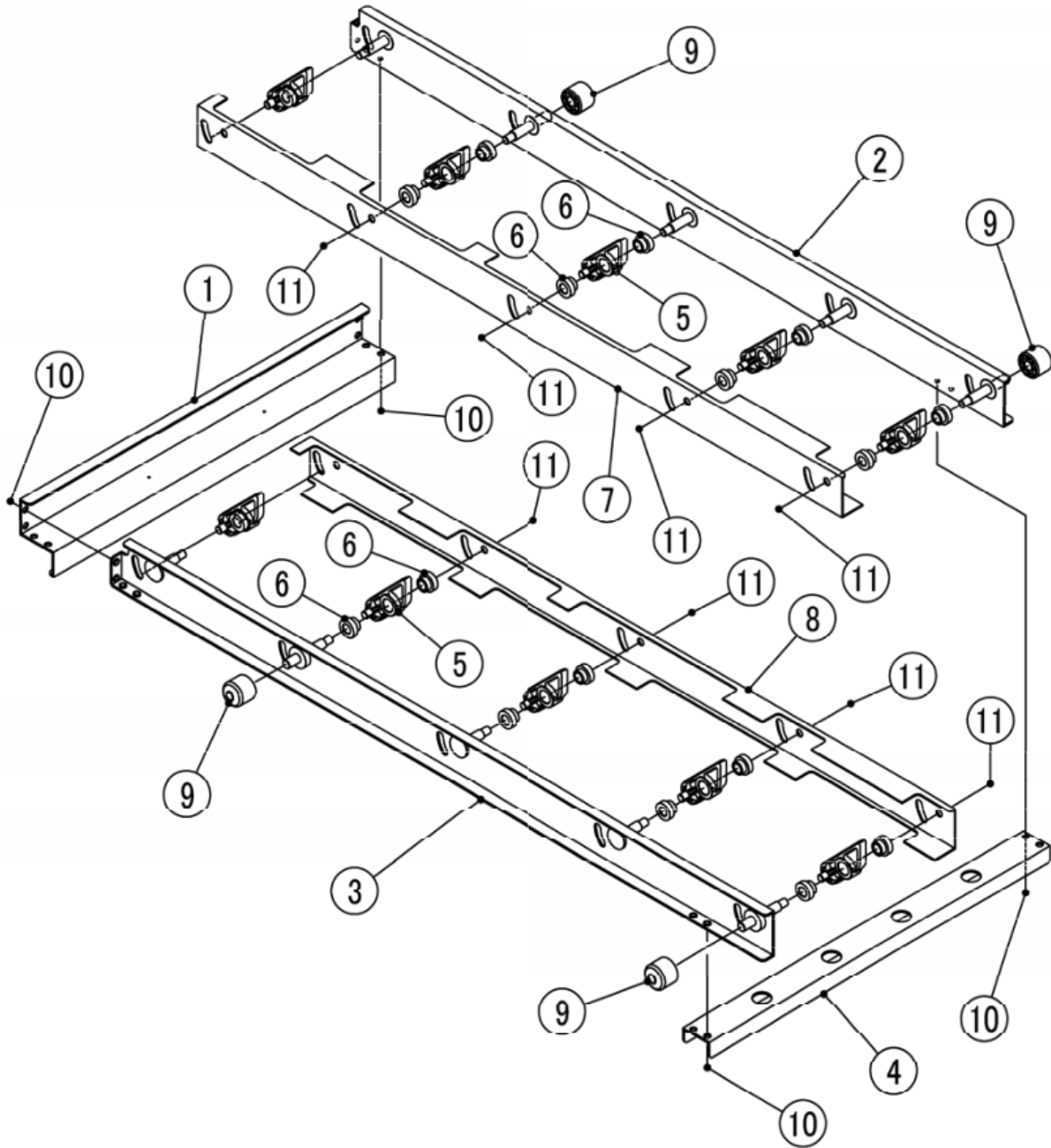


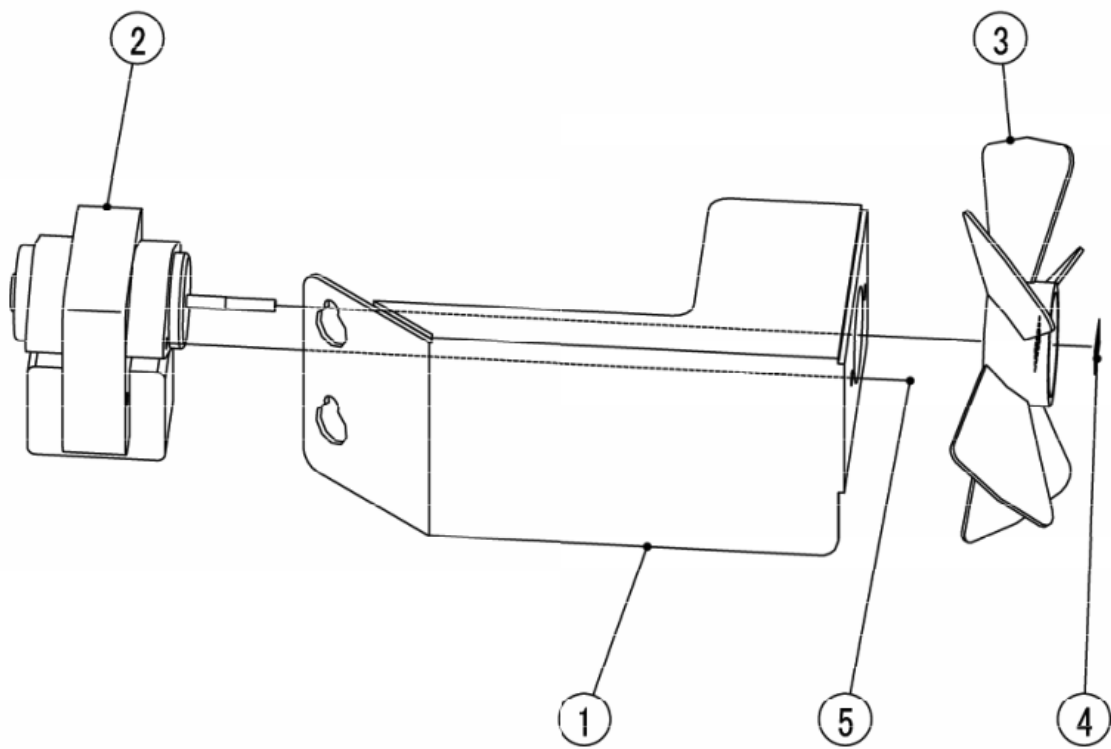


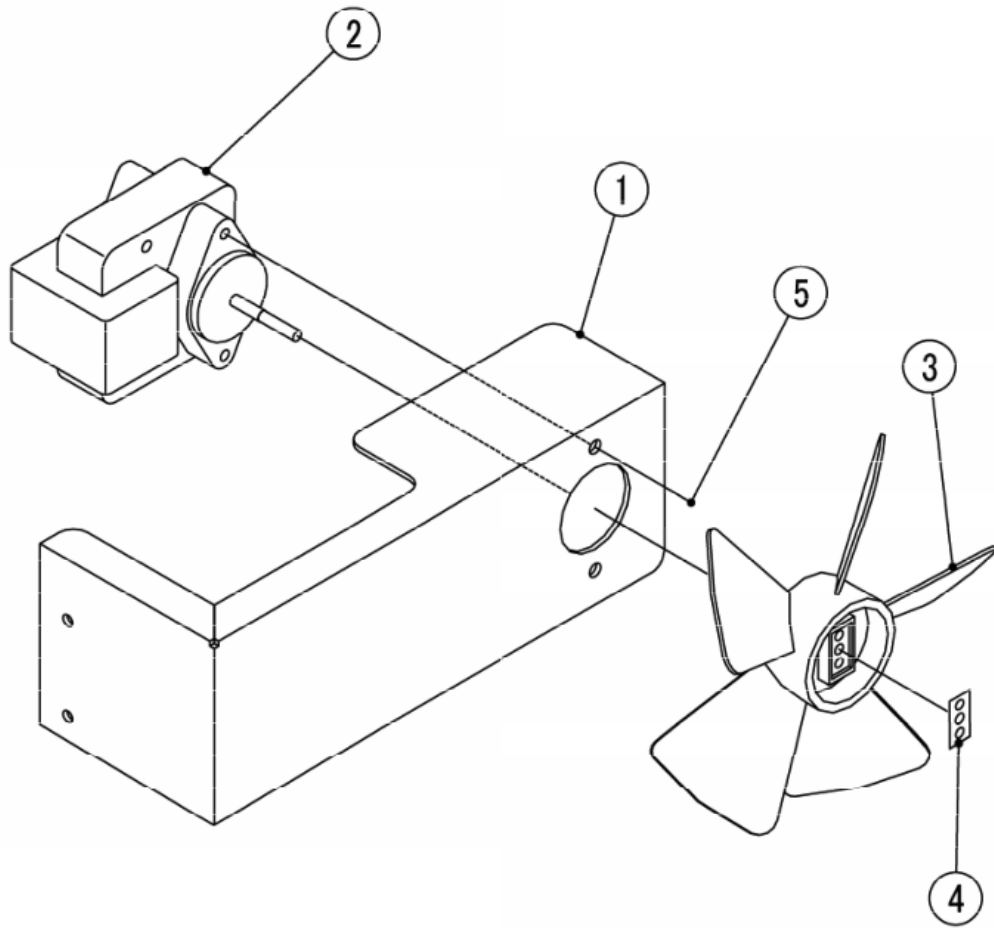


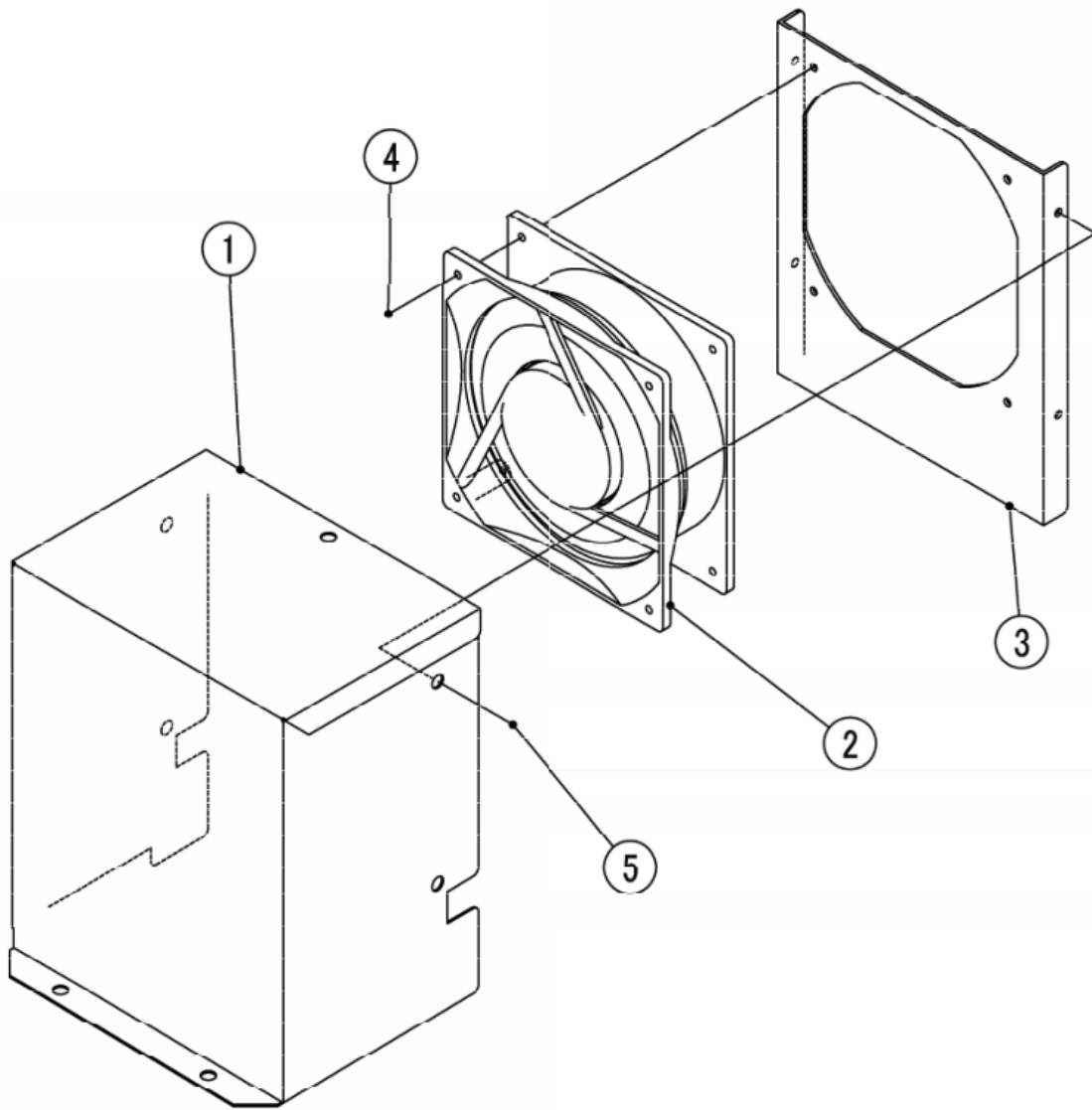


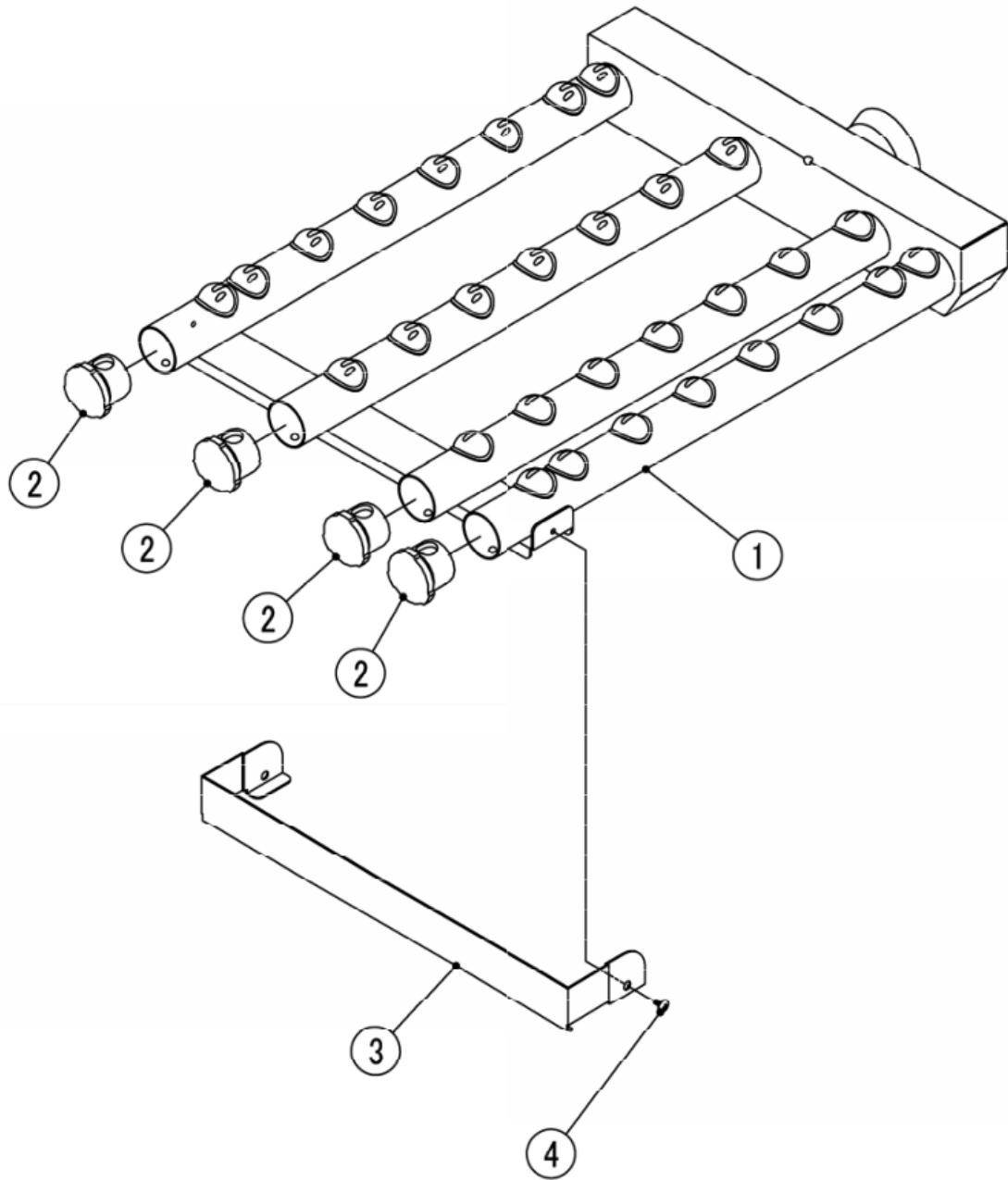


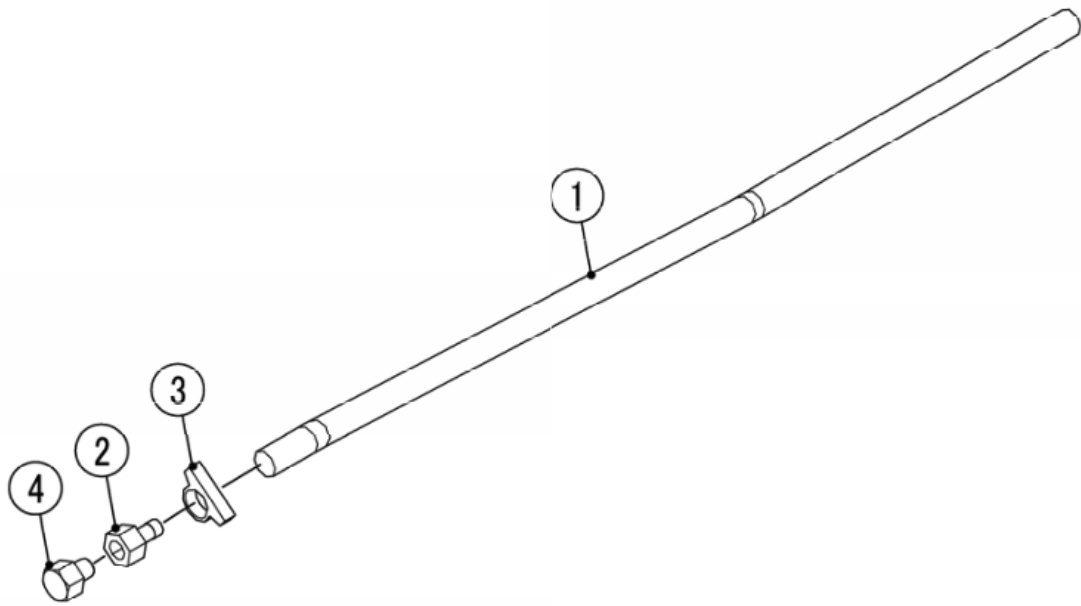


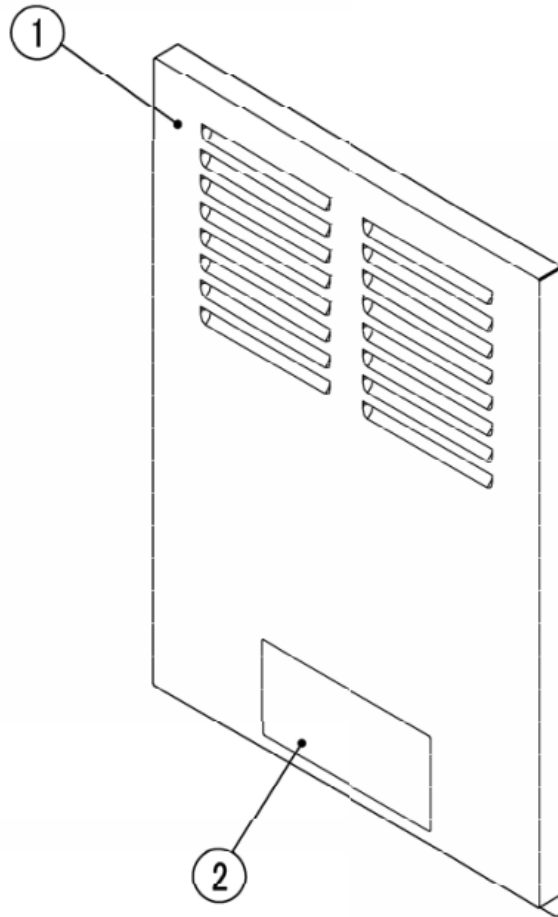


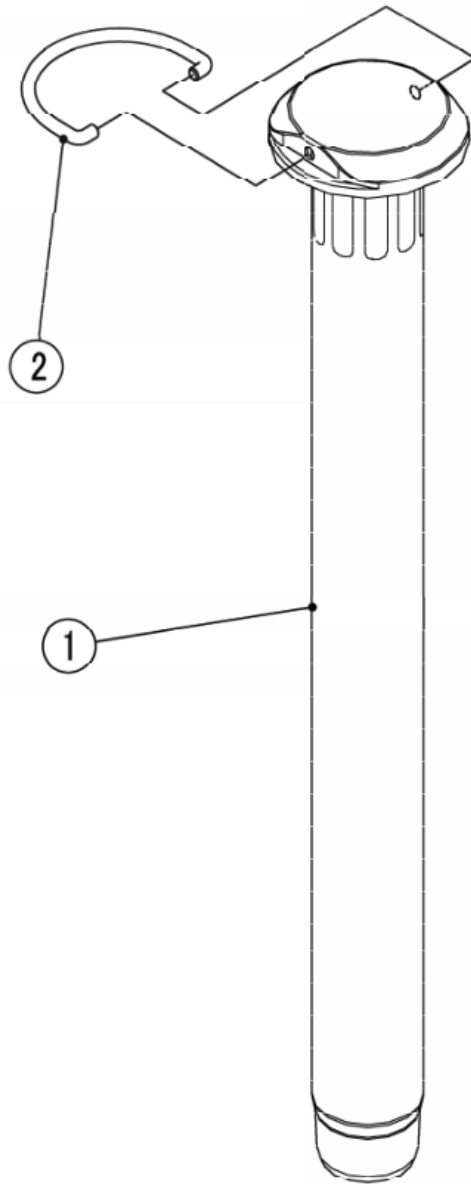


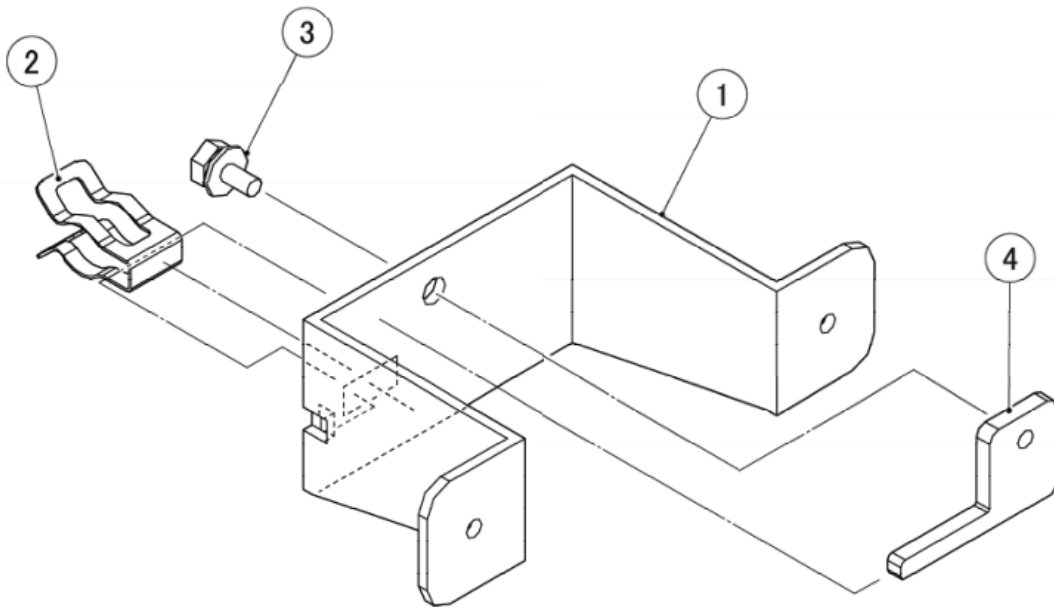


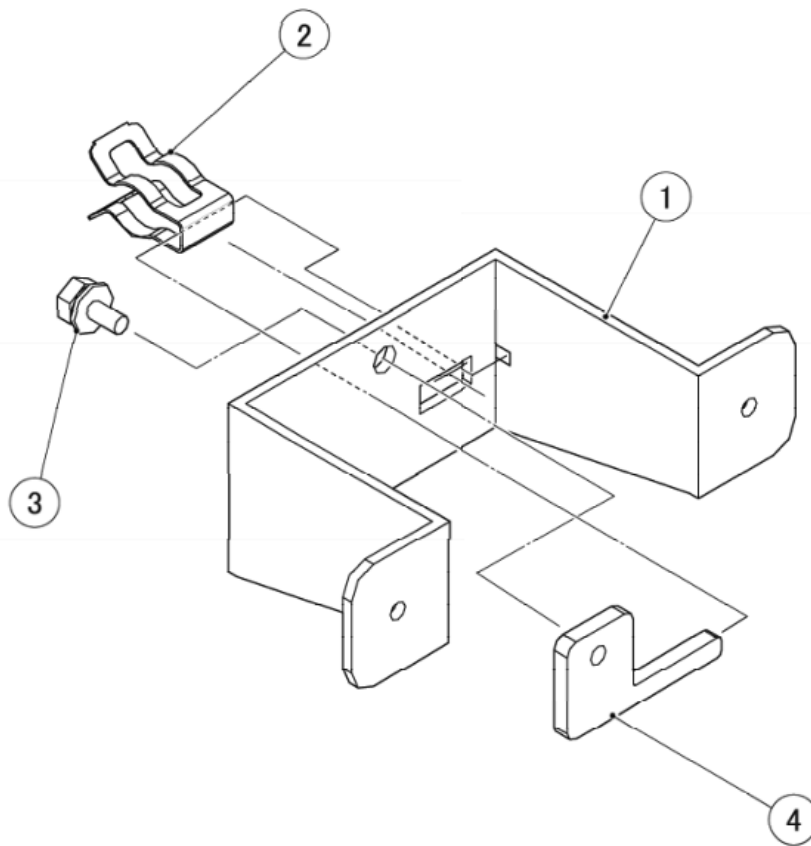


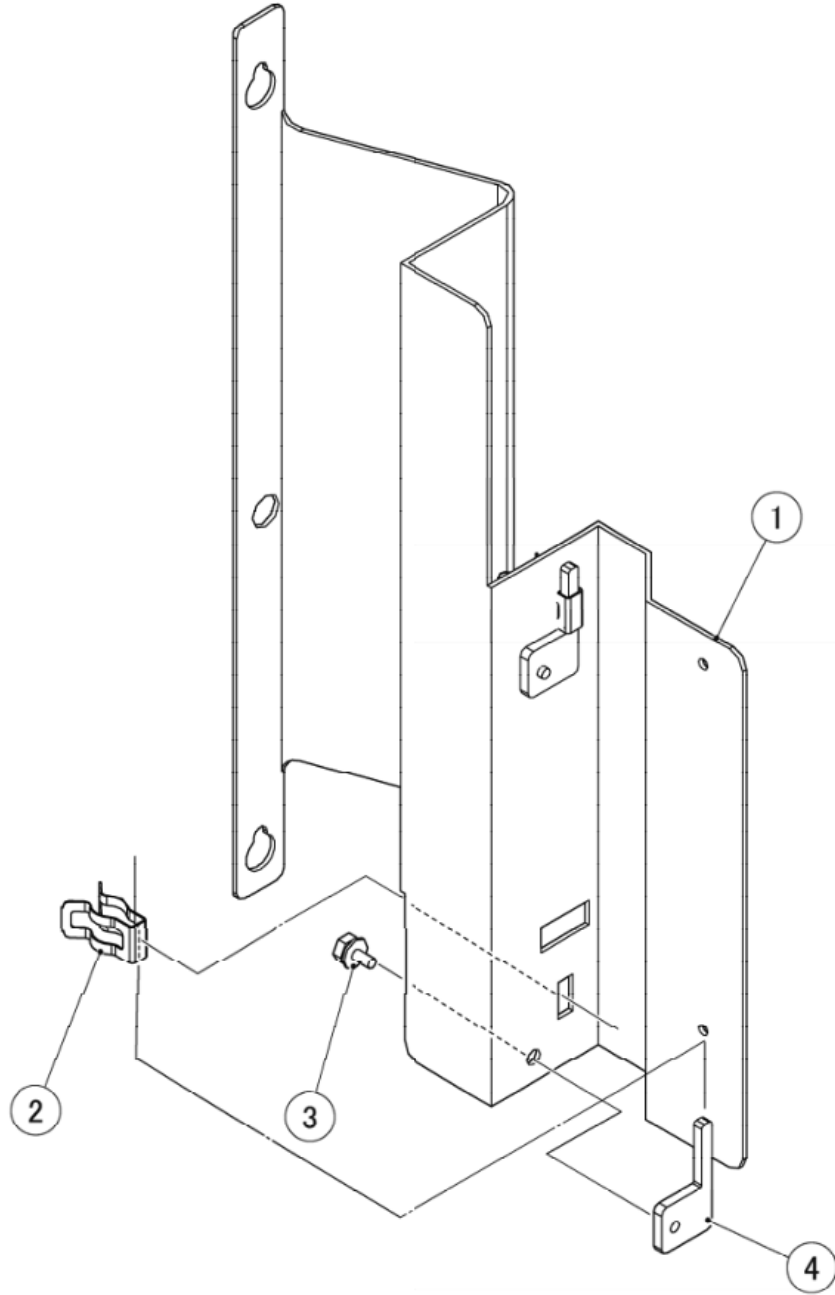


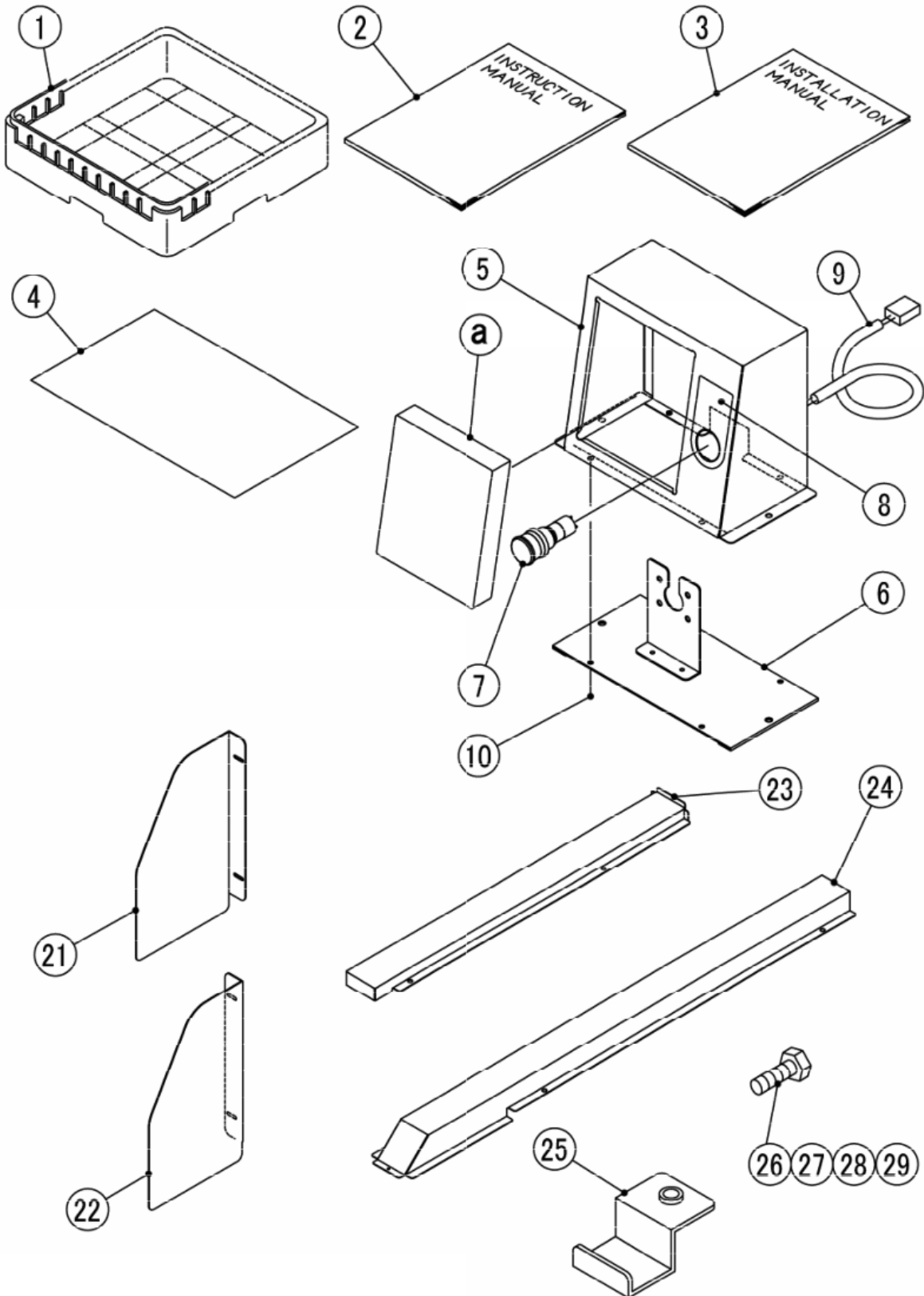


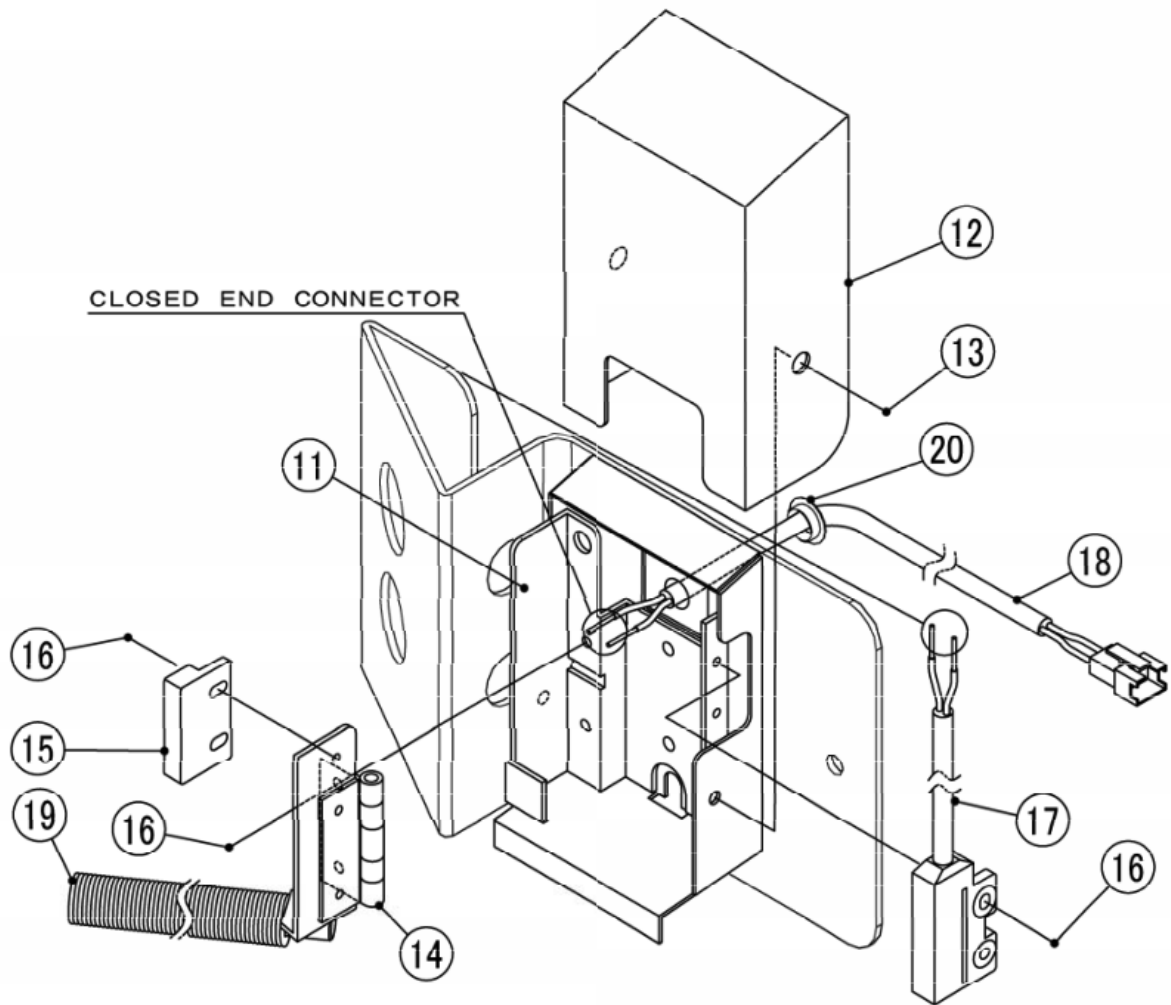












HA

MODEL : JWE-2400CUA-L-25B TITLE : Z. ACCESSORIES							
INDEX NO.	DESCRIPTION	MATERIAL OR MODEL NUMBER	PART NUMBER	REQ'D NUMBER			
				A-1 B-0	B-1		
a	OPERATION PANEL ASSY	-	2H9959A01	1	1		
1	RACK	PP	1H0790-01	1	1		
2	INSTRUCTION MANUAL		L1J002111	1	1		
3	INSTALLATION MANUAL		L2J002111	1	1		
4	MAINTENANCE SHEET		258202L01	1	1		
5	OPERATION BOX (A-L)	S.S	3Y5053G01	1	1		
6	COVER - OPERATION BOX (A-L)	S.S	4Y6609G01	1	1		
7	EMERGENCY STOP BUTTON	HN1E-BV402R	463704-01	1	1		
8	LABEL - EMERGENCY STOP		474704L01	1	1		
9	CABLE - EMERGENCY STOP		4Y7053A01	1	1		
10	SCREW	S.S	4Y1319-01	4	4		
11	BOX - TABLE LIMIT SWITCH	S.S	3Y5062G01	1	1		
12	COVER - TABLE LIMIT SWITCH	S.S	3Y2551M01	1	1		
13	TRUSS HEAD MACHINE SCREW	S.S	FST0408S0	2	2		
14	BRACKET (L) - MAGNET	S.S	4Y4387G01	1	1		
15	MAGNET		436974-01	1	1		
16	PAN HEAD MACHINE SCREW W/ WASHERS	S.S	FSK0308S0	6	6		
17	REED SWITCH	PS-0074-502B	453861-02	1	1		
18	CABLE (B) - TABLE LIMIT SWITCH		4Y7054A01	1	1		
19	SPRING	S.S	4Y6610M01	1	1		
20	BUSHING	SB-562-7	420470-09	1	1		
21	GUARD (L)	S.S	3Y5063M01	1	1		
22	GUARD (R)	S.S	3Y5064M01	1	1		
23	CABLE COVER (A)	S.S	3Y5065G01	1	1		
24	CABLE COVER (B)	S.S	2H9960G01	1	1		
25	HOOK - DRAIN	S.S	4Y6611M01	1	1		
26	HEX HEAD BOLT W/ WASHERS	S.S	FBK0612S0	1	1		
27	HEX HEAD BOLT W/ WASHERS	S.S	FBK0512S0	3	3		
28	HEX HEAD BOLT W/ WASHERS	S.S	FNH105S0	3	3		
29	HEX HEAD BOLT W/ WASHERS	S.S	FBK0408S0	11	11		

