

Hoshizaki America, Inc.

Dishwasher

Models
JWE-620UA-6B



"A Superior Degree
of Reliability"

www.hoshizaki.com

PARTS LIST



Number: 80VC-3230
Issued: 6-22-2009
Revised: 9-18-2012

Auxiliary Codes

JWE-620UA-6B	U-1	June 2009
	U-2	—
	U-3	August 2009
	V-0	January 2010
	A-0	January 2011
	A-1	May 2011
	B-0	January 2012
	B-1	February 2012
	B-2	April 2012
	B-3	April 2012

Auxiliary Code Breakdown

The auxiliary code is the first two characters in the serial number. The first character indicates the year. Years progress or regress in alphabetical order. The series runs from "A" through "V" and the letters "I" and "O" are skipped. The second character indicates significant part changes within a year. Base is "0" and this number advances for each change. In cases where there is a letter in parentheses, this designates the month. This is the last character in the serial number. The series runs from "(A)" through "(M)" and the letter "(I)" is skipped. This designation is only included when identifying a parts change within an auxiliary code.

Note About Ordering Parts

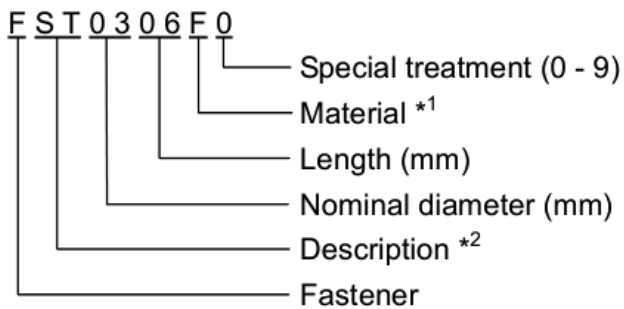
Most assemblies cannot be ordered as complete units; parts in the assemblies generally must be ordered separately.

MARKS LOCATED UNDER THE AUXILIARY CODE

- = Part deleted.
- x = Part deleted and replaced by "o" part.
- o = New part in place of "x" part.

FASTENER PART NUMBER

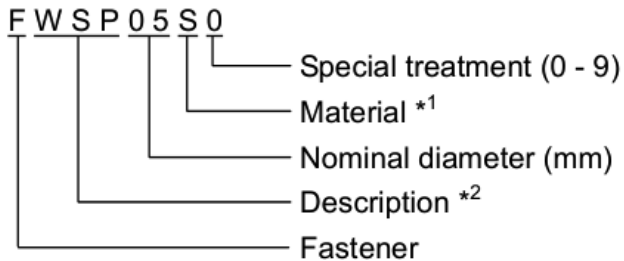
SCREWS



*¹ Material

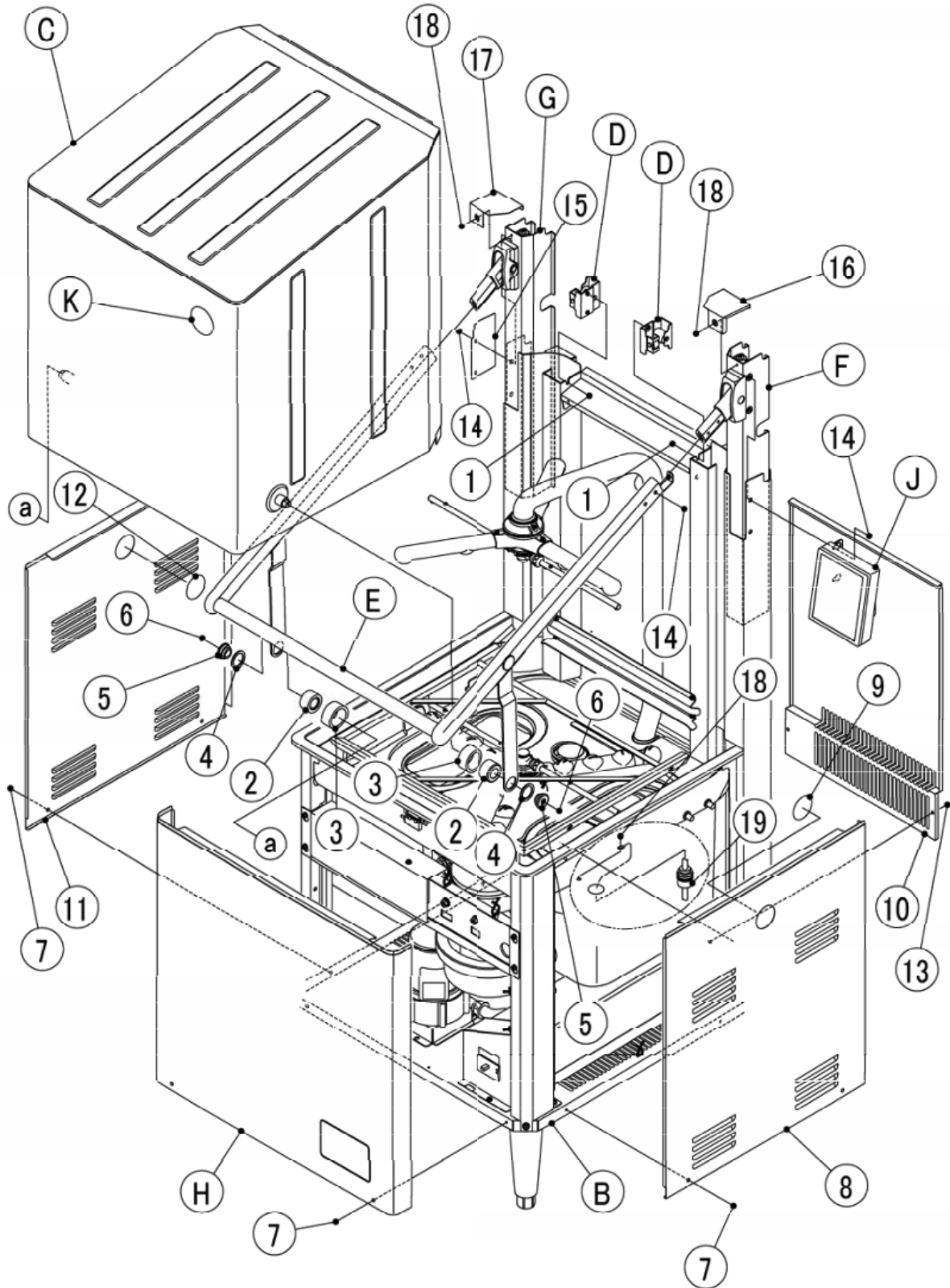
- F: Steel
- S: Austenitic stainless steel
- M: Martensitic stainless steel
- B: Copper alloy
- P: Polycarbonate
- N: Polyamide
- V: PVC
- A: ABS
- X: Polyacetal
- L: Aluminum

NUTS & WASHERS

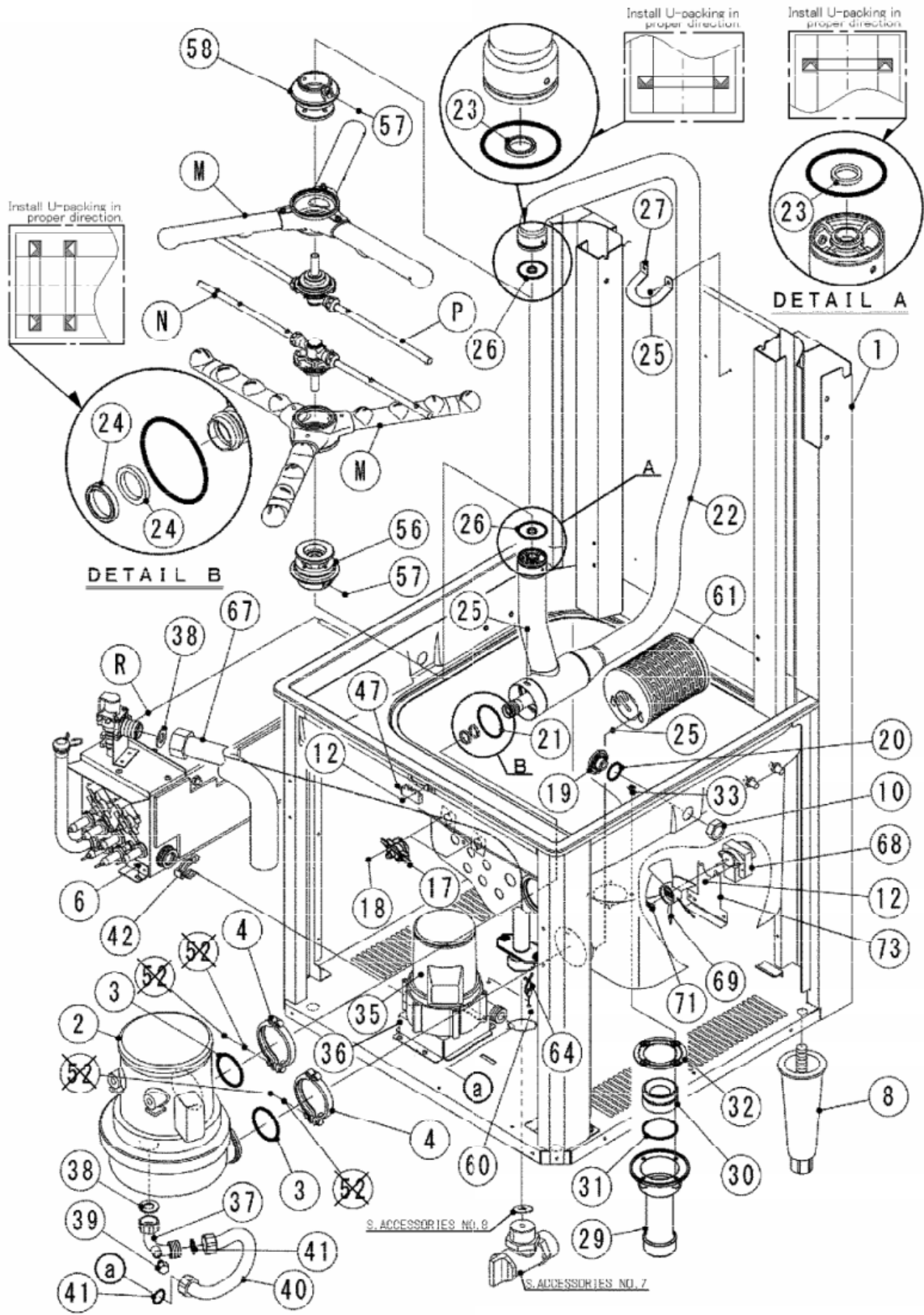


*² Description

- First letter
- S: Machine screw
 - T: Tapping screw
 - M: Wood screw
 - B: Bolt
 - W: Washer
 - N: Nut



B. TANK ASSY (1/2)

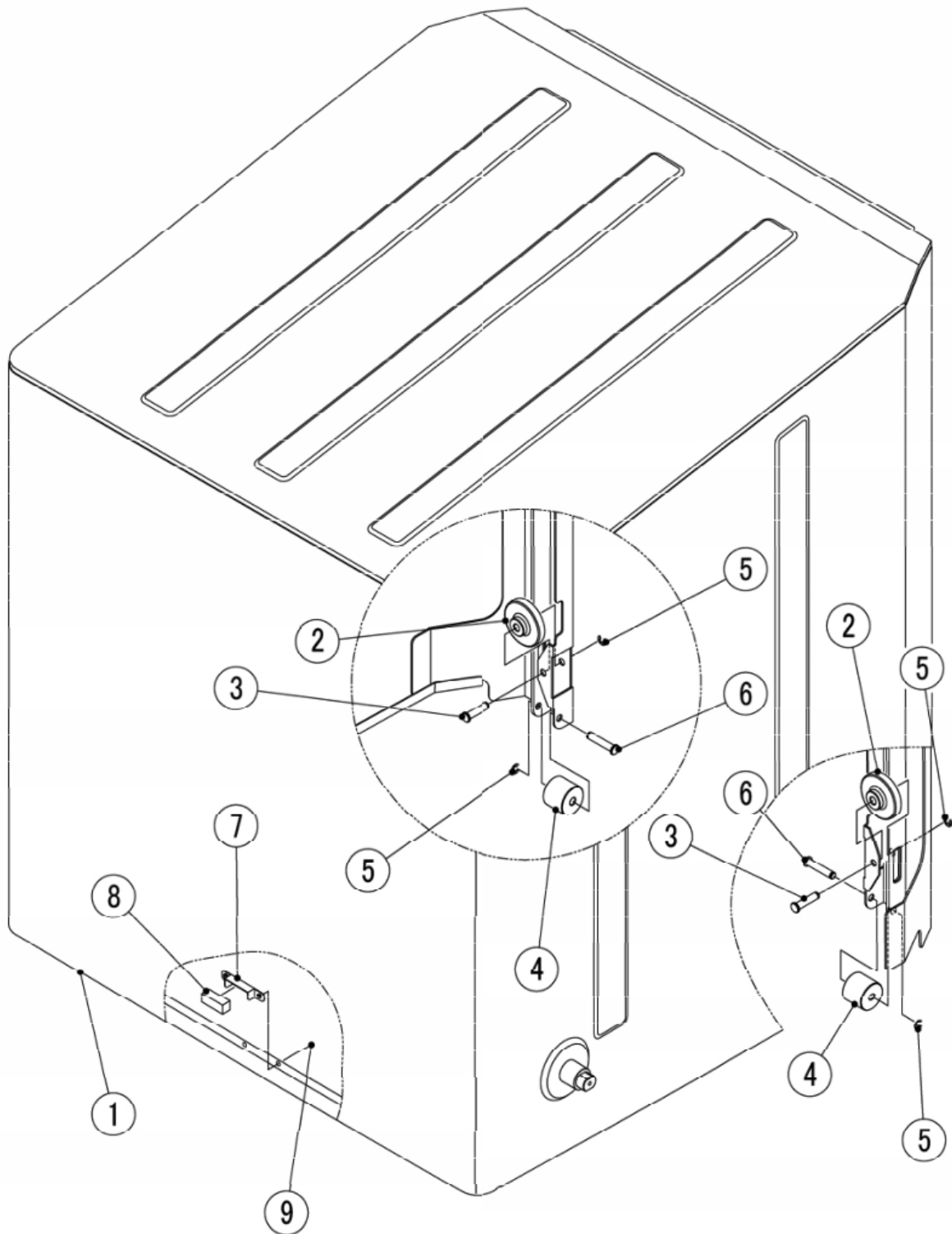


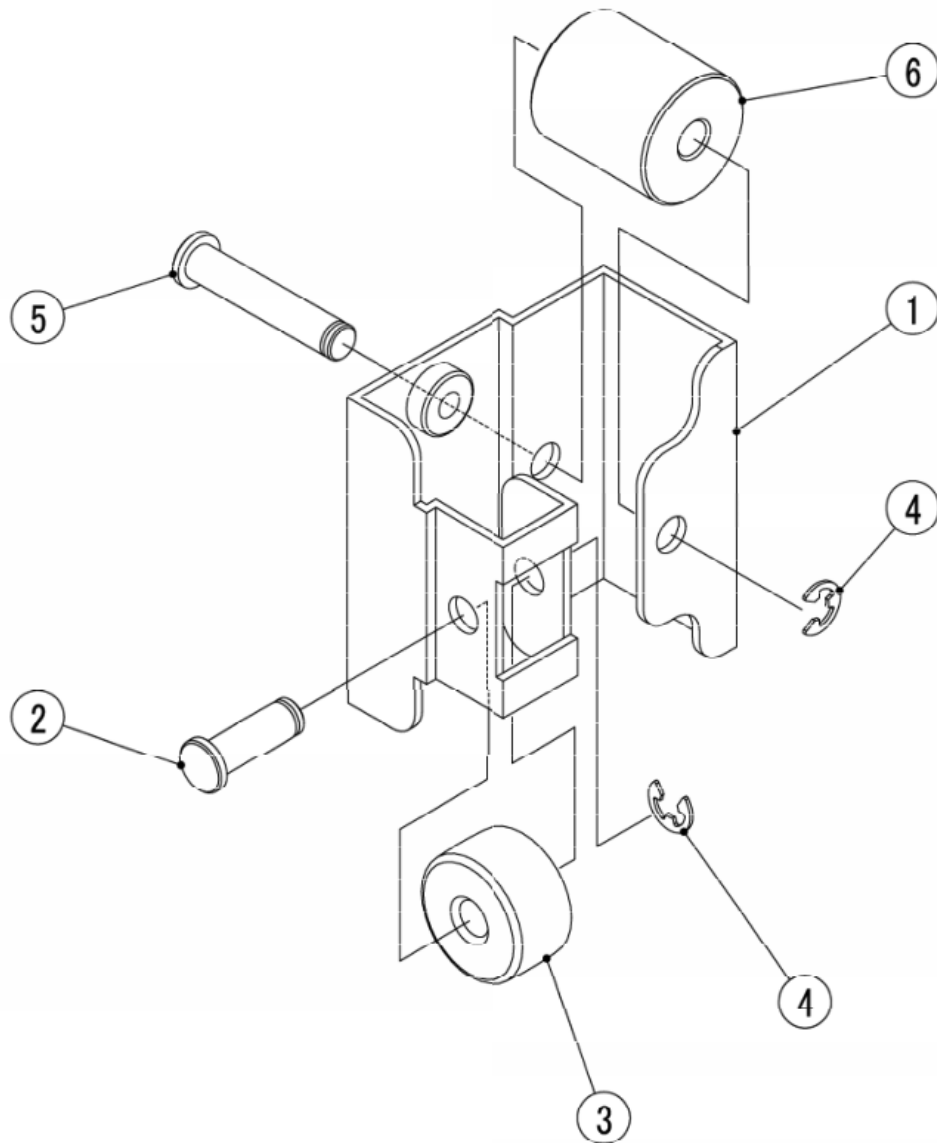
HA

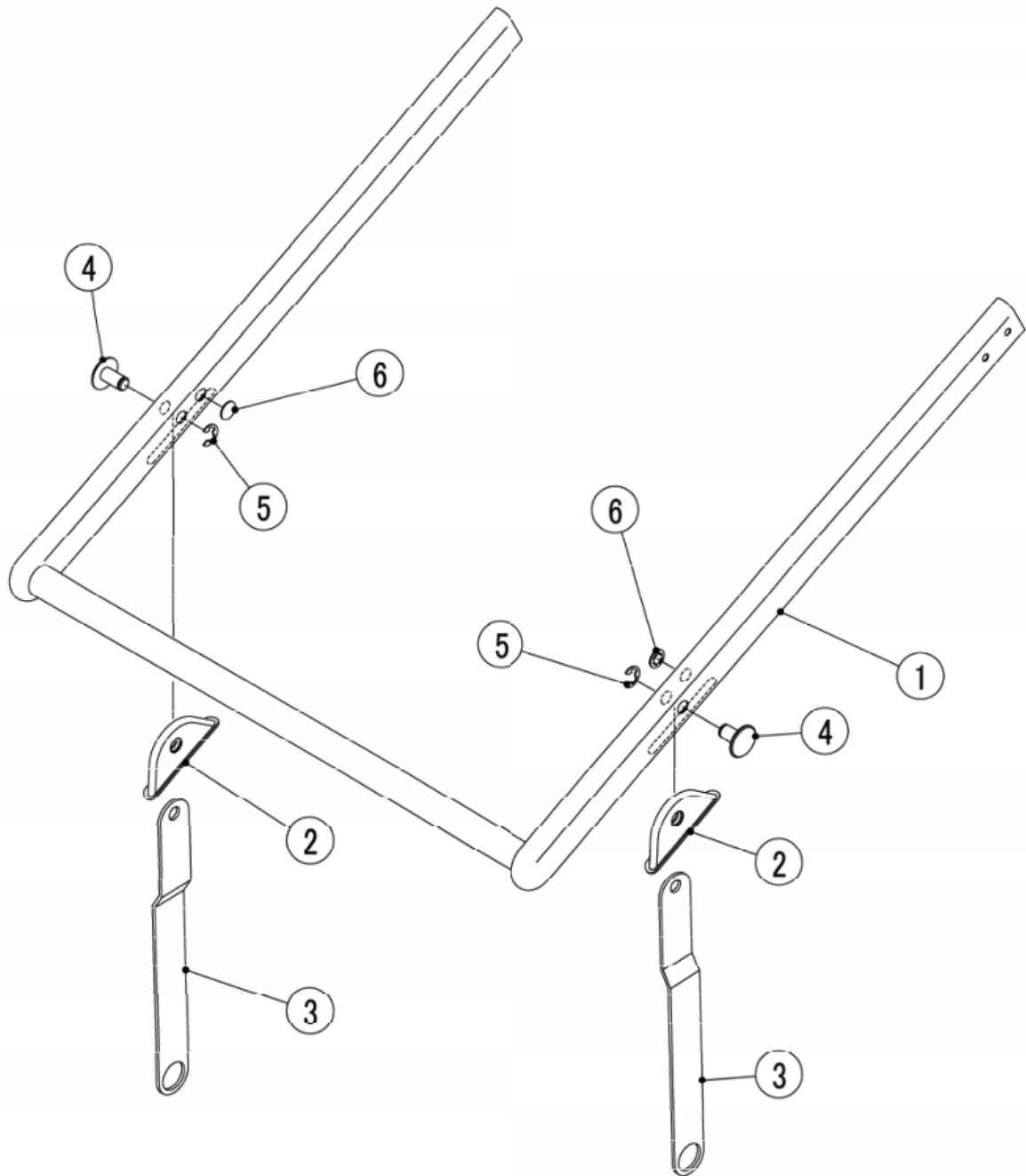
MODEL : JWE-620UA-6B		TITLE : B. TANK ASSY					
INDEX NO.	DESCRIPTION	MATERIAL OR MODEL NUMBER	PART NUMBER	REQ'D NUMBER			
				U-1,U-2 U-3,V-0 A-0	A-1,B-0 B-1	B-2	B-3
L	CONTROL BOX ASSY	-	2H9022A01	1	1	1	1
M	SPRAY ARM ASSY	-	3Y3561A01	2	2	2	2
N	RINSE SPRAY ARM (LO) ASSY	-	3Y6791A02	1	1	-	-
		-	3Y2447A02			1	1
P	RINSE SPRAY ARM (UP) ASSY	-	3Y6790A02	1	1	-	-
		-	3Y2448A02			1	1
Q	OVERFLOW PIPE ASSY	-	3Y6605A01	1	1	1	1
R	RINSE TANK ASSY	-	1H4554A01	1	1	1	1
1	FLUSH TANK	S.S	1H4444G02	1	1	1	1
2	PUMP MOTOR	50LPS- 3756HUL(60Hz)	P01548-01	1	1	1	1
3	O-RING	EPDM G60	4Y3158F01	2	2	2	2
4	BAND - PUMP	S.S	4Y7714A02	2	2	2	2
5	BRACKET - RACK RAIL	S.S	4Y3171-01	2	2	2	2
6	HEX HEAD BOLT W/ WASHERS	S.S	FBK0512S1	7	7	7	7
7	RACK RAIL - WELD	S.S	2H7206G01	1	1	1	1
8	ADJUSTABLE LEG	SD-240HF-D	P01591-01	4	4	4	4
9	PACKING (B) - SENSOR	SI.R	4X5112-01	1	1	1	1
10	NUT	Exchange with No.19	4Y3670-01	4	4	4	4
11	LEVEL SENSOR	PPS, S.S	3X4140G01	1	1	1	1
12	PAN HEAD MACHINE SCREW W/ WASHERS	S.S	FSK0308S0	8	8	8	8
13	SHEATH HEATER	-	P00550-01	3	3	3	3
14	WASHER	S.S	P00550F01	6	6	6	6
15	PACKING	SI.R	P00550F02	6	6	6	6
16	NUT	S.S	P00550F03	6	6	6	6
17	THERMOSTAT	OFF95°C±3K OPEN	4Y1929-02	2	2	2	2
18	PAN HEAD MACHINE SCREW W/ WASHERS	S.S	FSK0408S0	4	4	4	4
19	CAP	Exchange with No.10	4Y3177-01	3	3	3	3
20	O-RING	EPDM G25	7614-G025	3	3	3	3
21	O-RING	NBR G55	7611-G055	1	1	1	1
22	FLUSH PIPE	S.S	1H3306G02	1	1	1	1
23	U-PACKING	EPDM	4Y3371-01	2	2	2	2
24	U-PACKING	EPDM	4Y3371-02	2	2	2	2
25	HEX HEAD BOLT W/ WASHERS	S.S	FBK0408S1	13	13	13	13
26	O-RING	NBR S42	7611-S042	2	2	2	2

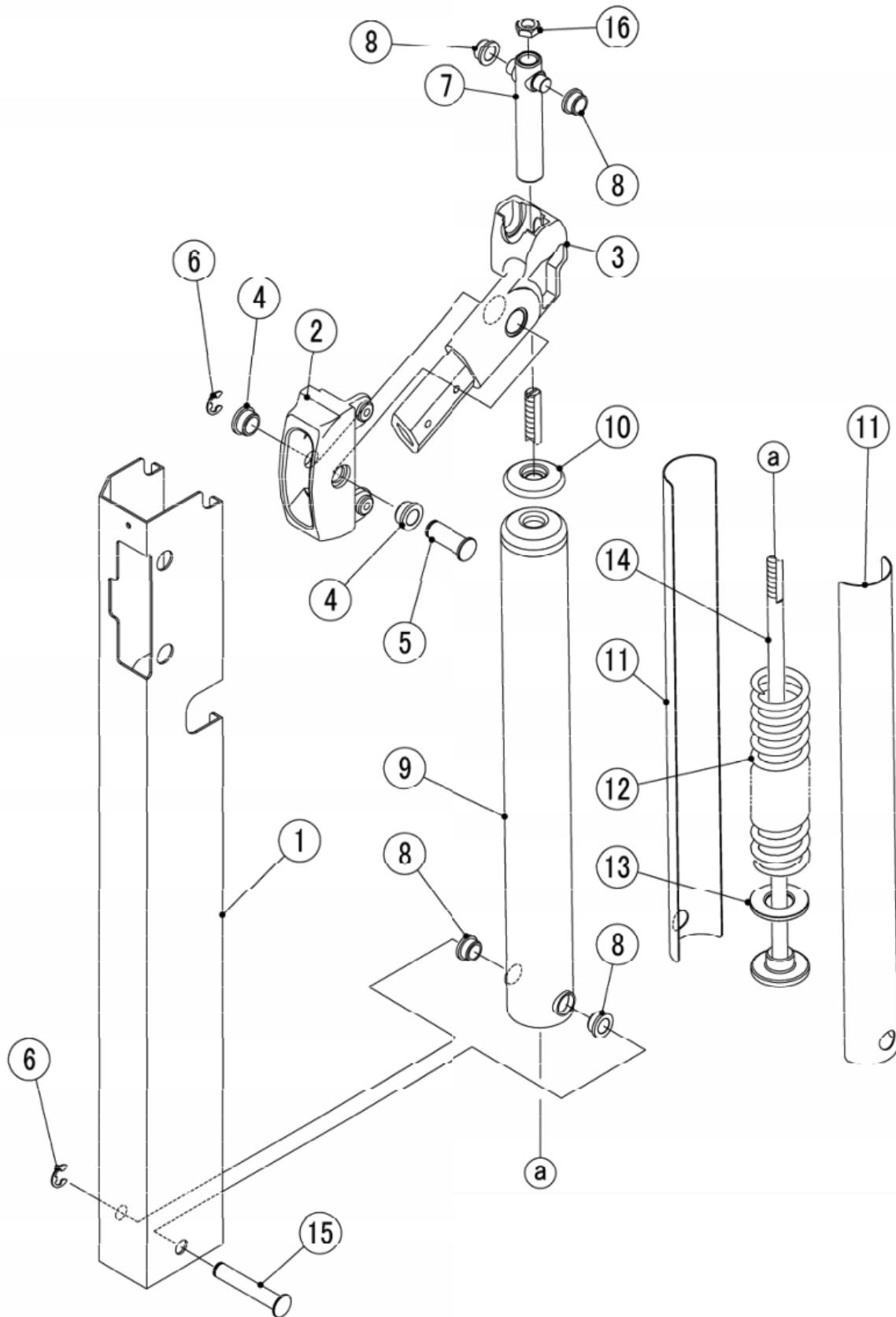
HA

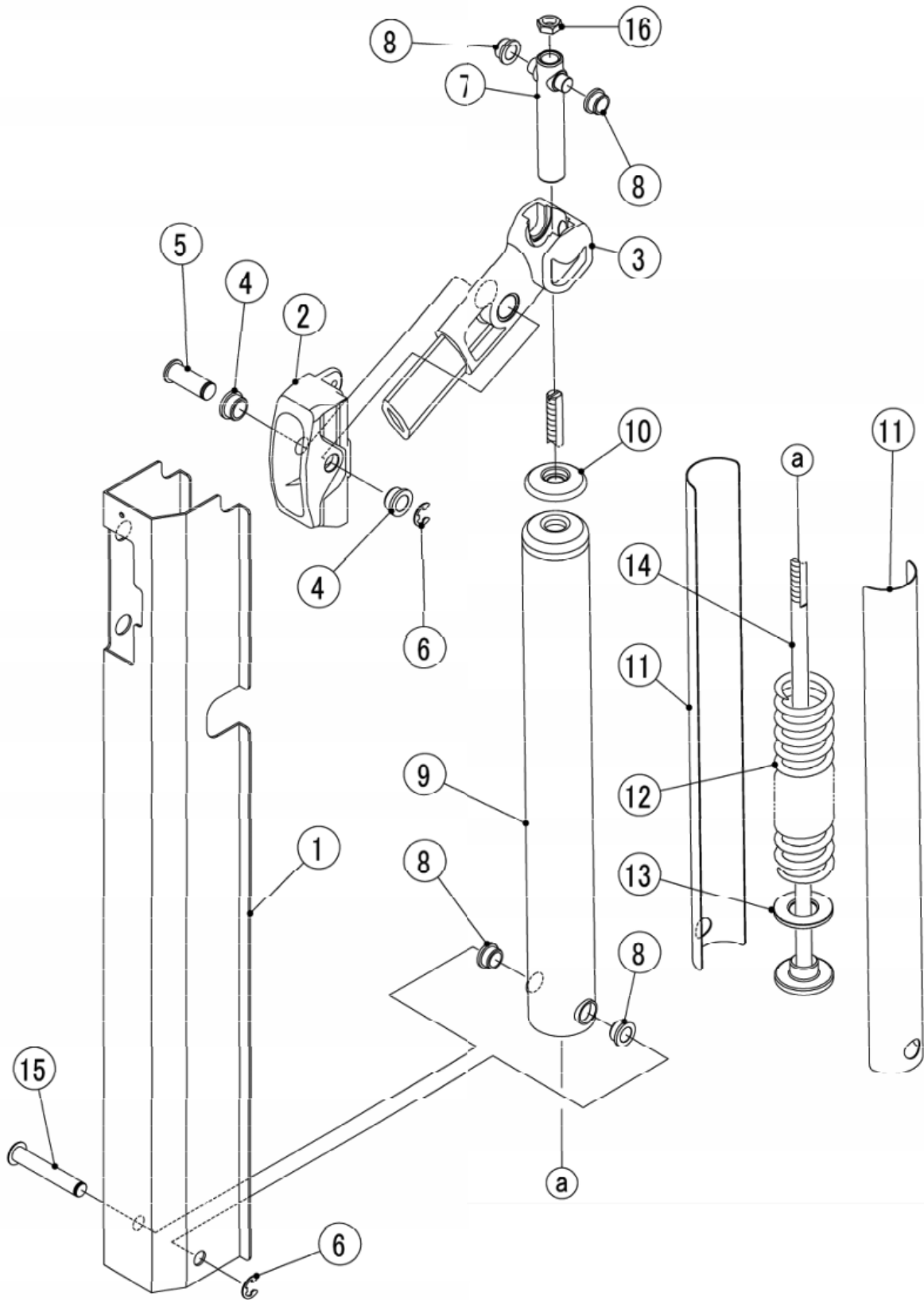
MODEL : JWE-620UA-6B		TITLE : B. TANK ASSY					
INDEX NO.	DESCRIPTION	MATERIAL OR MODEL NUMBER	PART NUMBER	REQ'D NUMBER			
				U-1,U-2 U-3,V-0 A-0	A-1,B-0 B-1	B-2	B-3
27	BRACKET - PIPE UNIT	S.S	4Y3174-01	1	1	1	1
28	WATER GUARD	S.S	4Y3175-01	1	1	1	1
29	DRAIN PIPE	S.S	3Y4170M01	1	1	1	1
30	JOINT - OVERFLOW	PE	4Y3176-01	1	1	1	1
31	O-RING	NBR G50	7611-G050	1	1	1	1
32	PACKING - JOINT	EPDM	4Y3165-01	1	1	1	1
33	SCREW	S.S	4Y1319-06	4	4	4	4
34	RACK GUIDE - REAR	S.S	3Y0440-01	1	1	1	1
35	PUMP MOTOR	PMD-1023BHZ3(60Hz)	P00995-01	1	1	1	1
36	HEX HEAD BOLT W/ WASHERS	S.S	FBK0612S1	1	1	1	1
37	JOINT - PIPE	S.S	4Y3179G01	1	1	1	1
38	PACKING - TUBE	FLUORORUBBER	4H9792-01	2	2	2	2
39	RINSE PLUG	C3604	4X8858-01	1	1	1	1
40	FLEXIBLE PIPE	S.S	442363-12	1	1	1	1
41	PACKING	FLUORORUBBER	442363F01	2	2	2	2
42	QUICK FASTENER	16B-R3	456912-07	1	1	1	1
43	GROMMET	EPDM	410666-05	2	2	2	2
44	FLANGE BOLT (C-TITE)	S.S	FTR0408M0	2	2	2	2
45	SUPPORT - WASHING PUMP	S.S	2H9530M01	1	1	1	1
46	HEX HEAD BOLT W/ WASHERS	S.S	FBK1016S0	2	2	2	2
47	REED SWITCH	PS-0074-501	453861-01	1	1	1	1
48	TERMINAL BLOCK	T3052-1-6P-CS	P01375-04	1	1	1	1
49	TRUSS HEAD MACHINE SCREW	S.S	FST0412S0	2	2	2	2
50	THERMISTOR PIPE - WELD	S.S	4Y3183G01	1	1	1	1
51	O-RING	EPDM P7	7614-P007	1	1	1	1
52	NUT	S.S	FNH106S0	1	1	1	1
53	THERMOSTAT PLATE (LO)	S.S	4Y3163-01	1	1	1	1
54	THERMOSTAT PLATE (UP)	S.S	4Y3164-01	1	1	1	1
55	THERMISTOR (A) - ASSY	-	449758-02	1	1	1	1
56	HEADER (LO)	PPS, S.S	4Y5305A01	1	1	1	1
57	HEX HEAD BOLT W/ WASHERS	SS	FBK0412S1	6	6	6	6

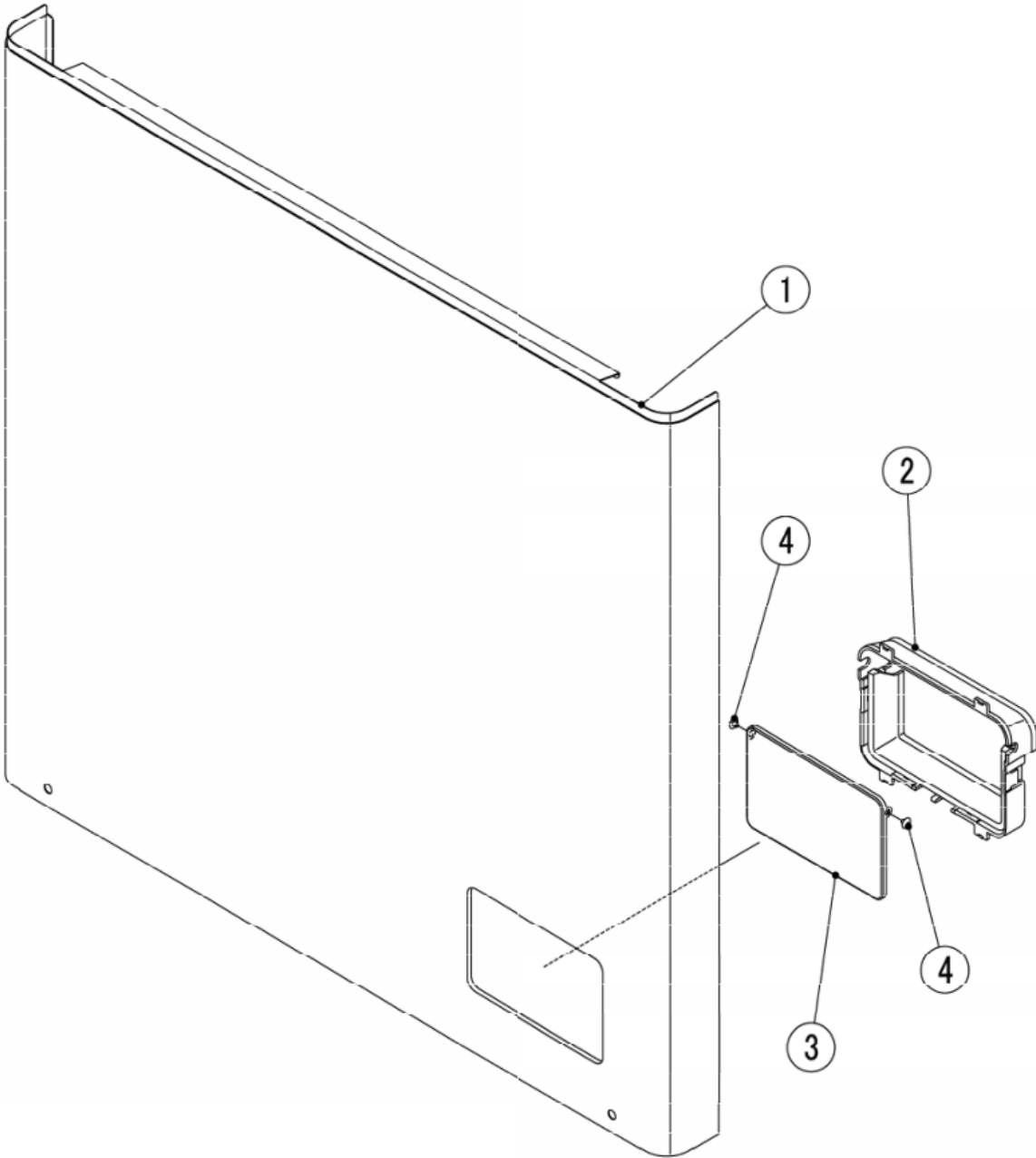


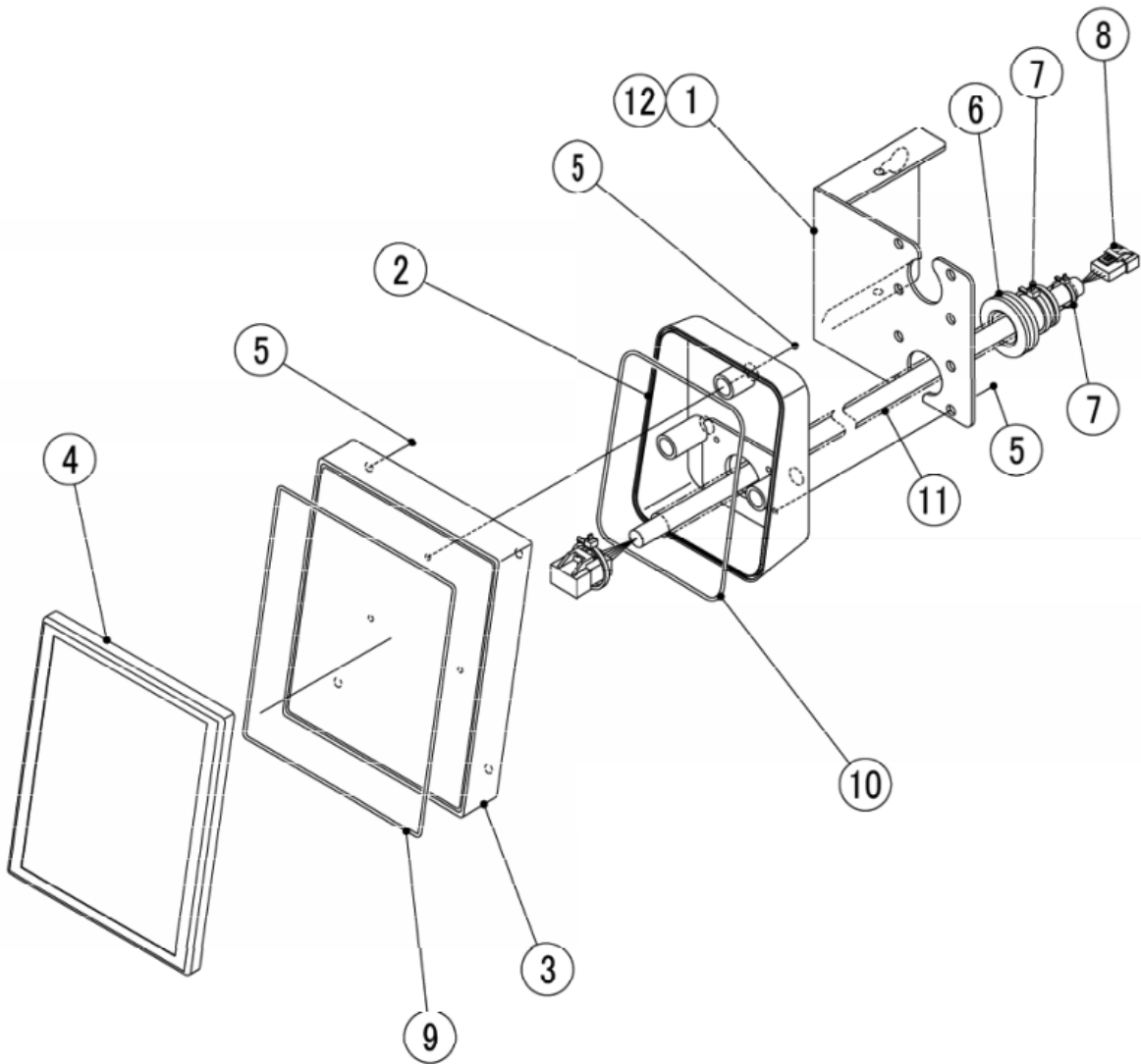


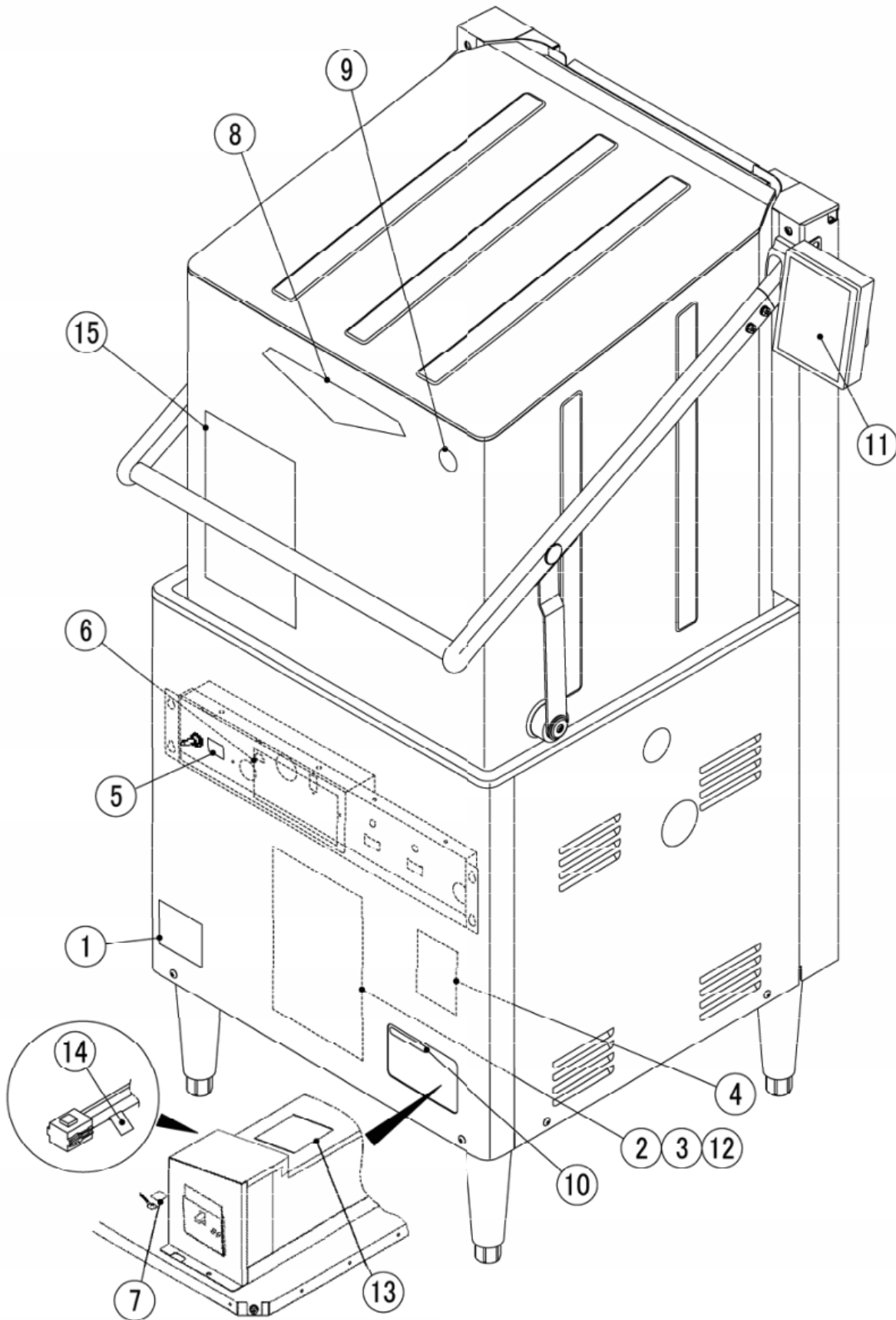


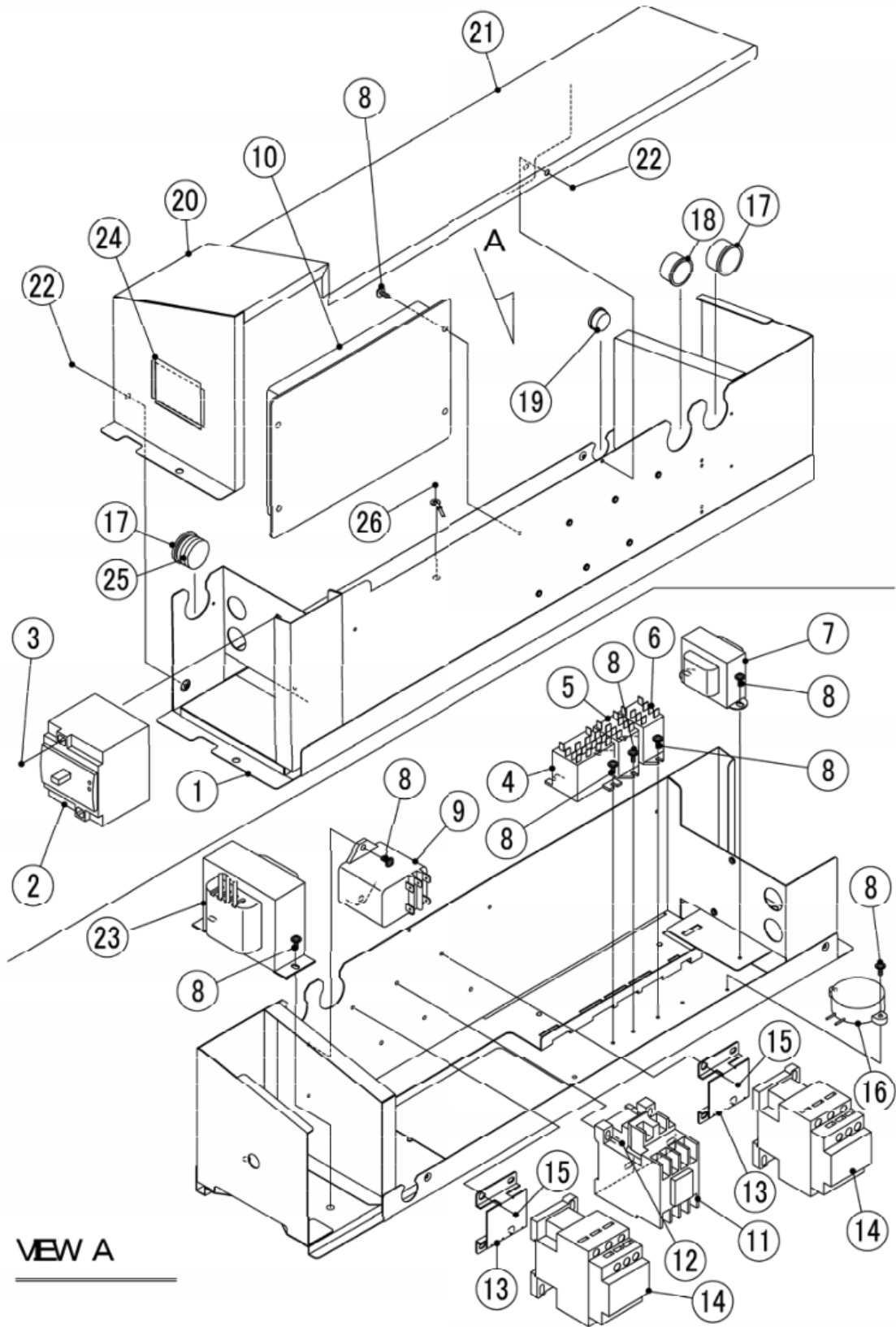


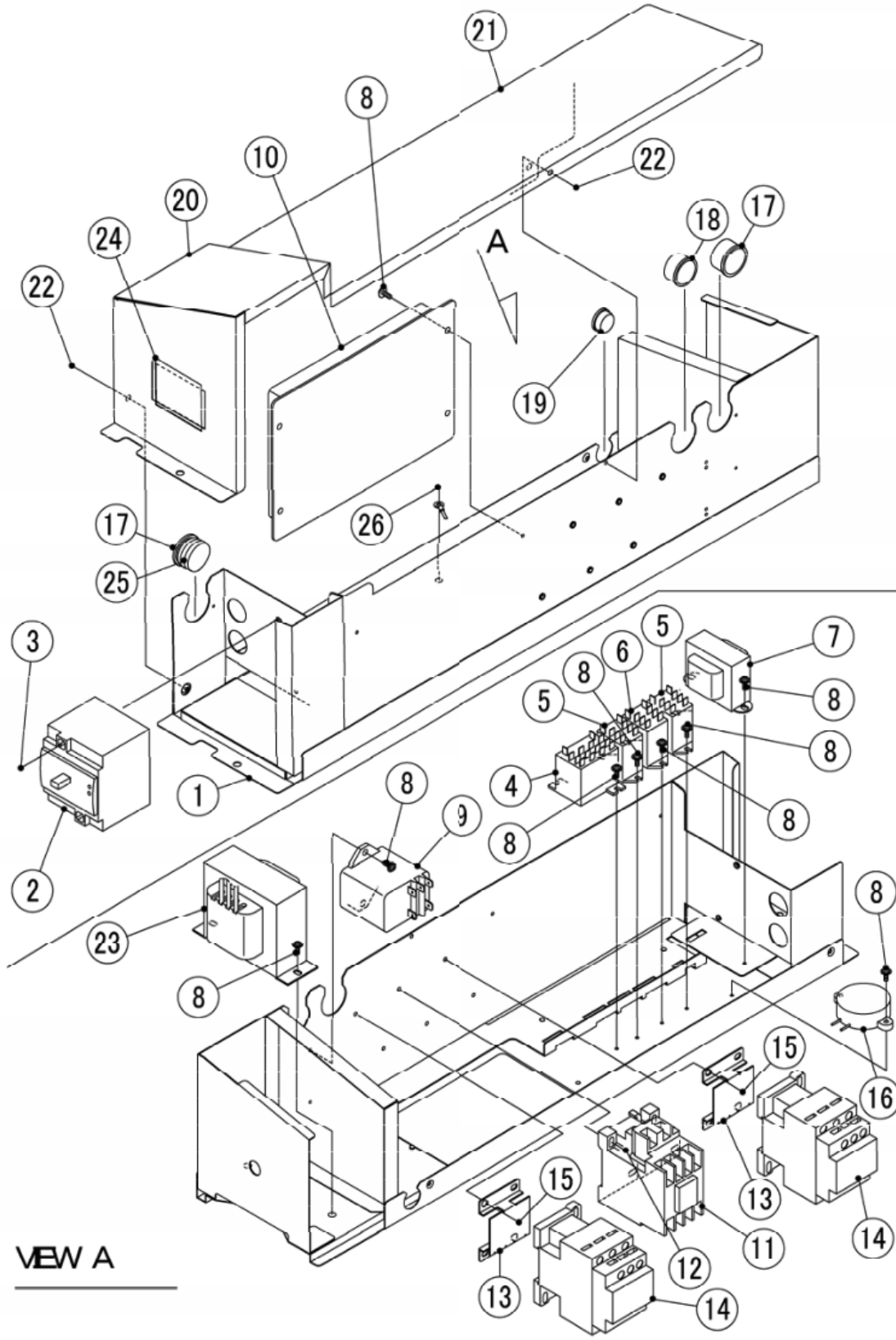




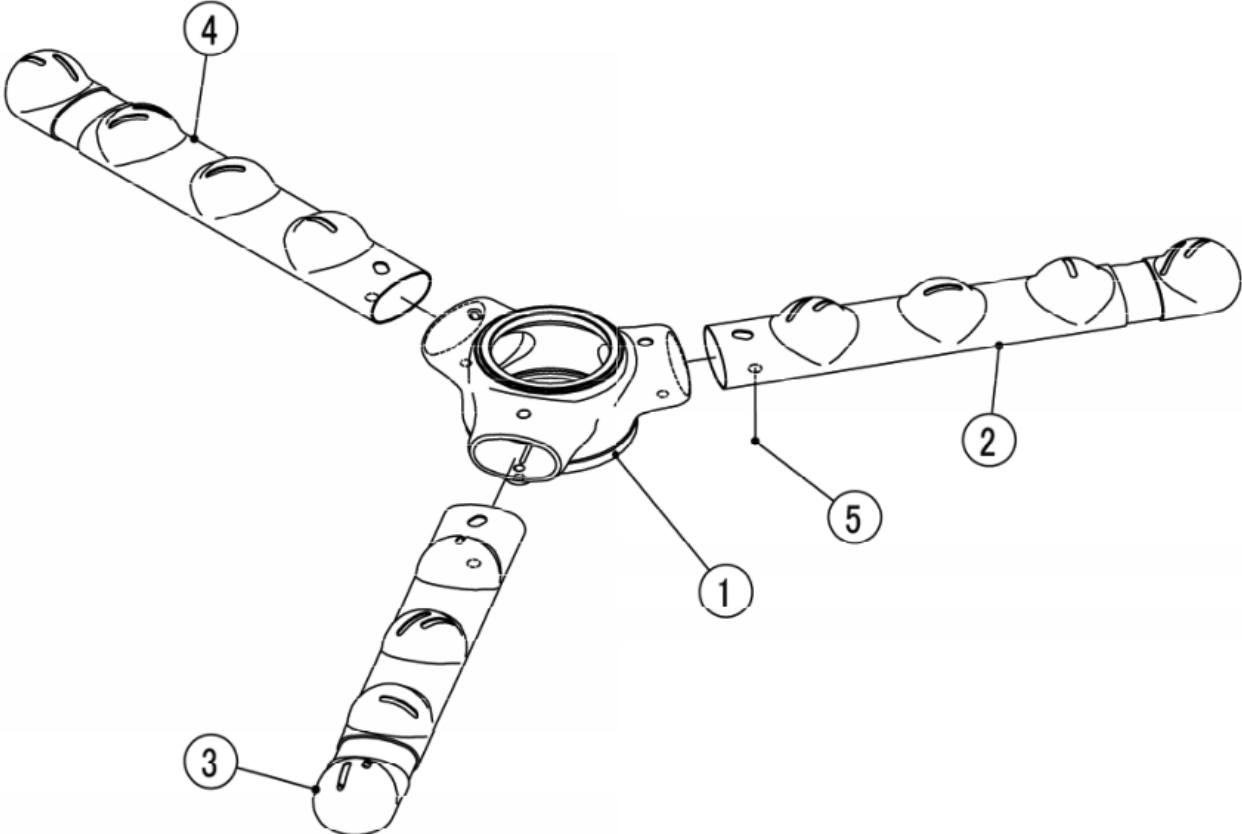


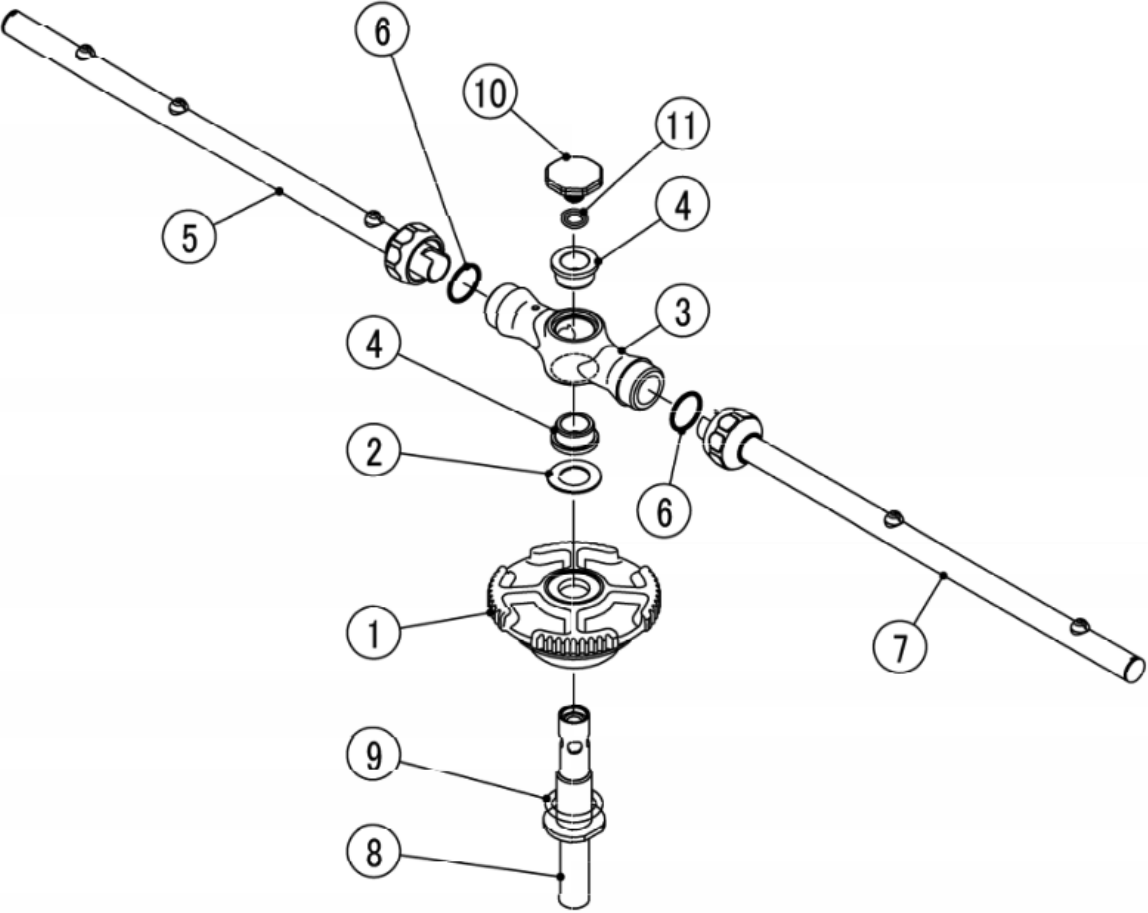


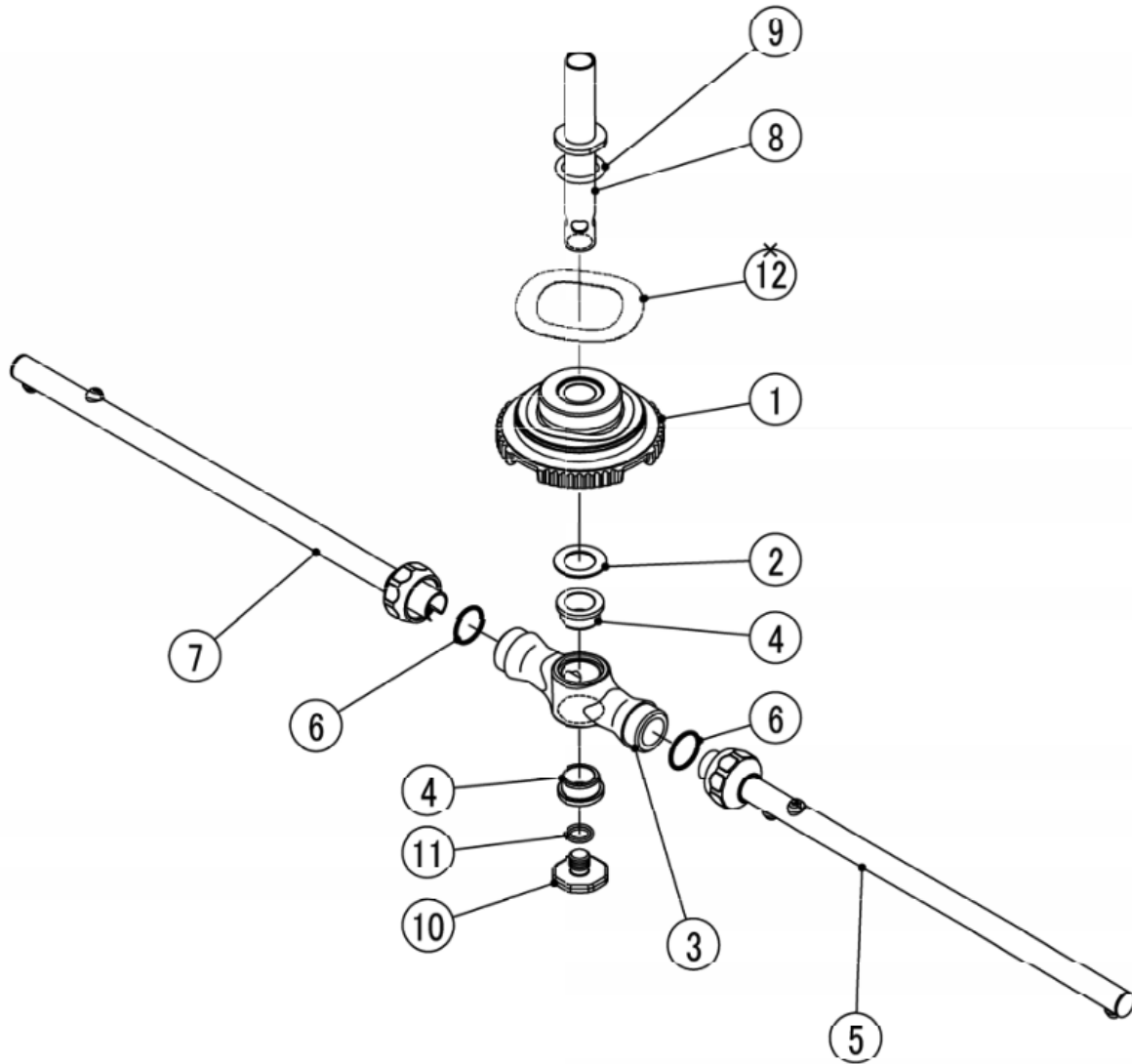




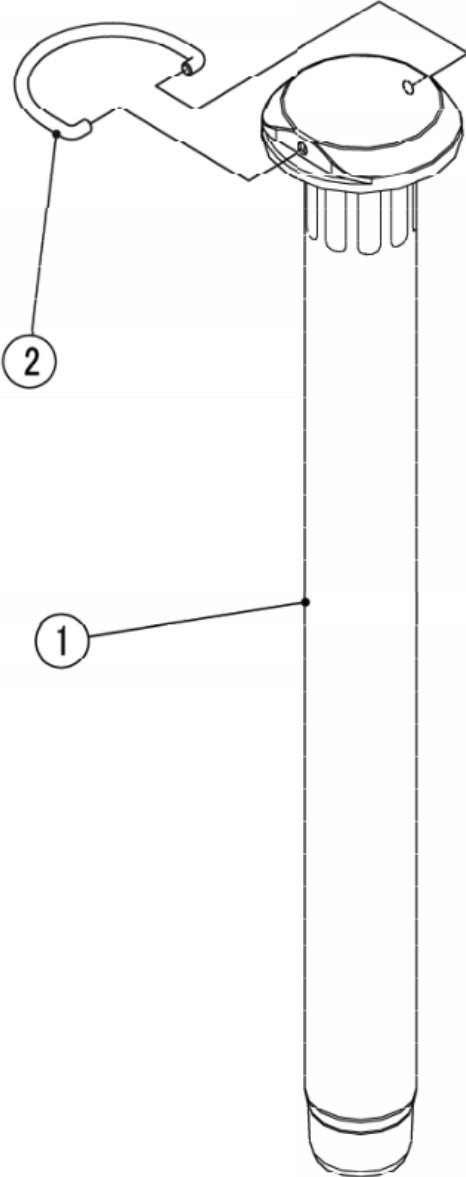
VIEW A

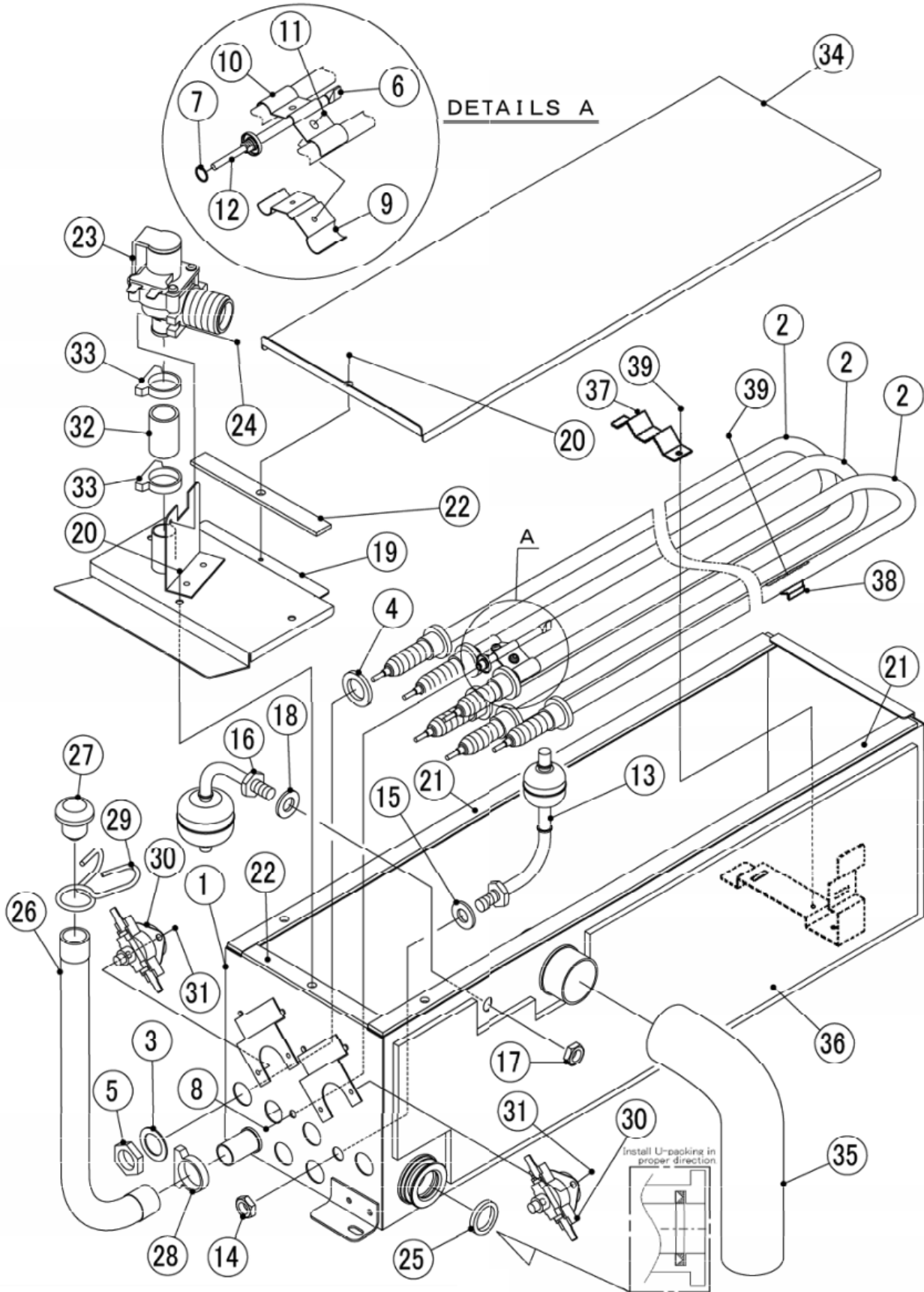






Q. OVERFLOW PIPE ASSY





HA

MODEL : JWE-620UA-6B		TITLE : R. RINSE TANK ASSY					
INDEX NO.	DESCRIPTION	MATERIAL OR MODEL NUMBER	PART NUMBER	REQ'D NUMBER			
				U-1,U-2 U-3,V-0 A-0	A-1,B-0 B-1	B-2	B-3
1	RINSE TANK - WELD	S.S	2H9676G01	1	1	1	1
2	SHEATH HEATER	-	P00551-01	3	3	3	3
3	WASHER	S.S	P00551F01	6	6	6	6
4	PACKING	SI.R	P00551F02	6	6	6	6
5	NUT	S.S	P00551F03	6	6	6	6
6	THERMISTOR PIPE - WELD	S.S	4Y3183G01	1	1	1	1
7	O-RING	NBR P7	7611-P007	1	1	1	1
8	NUT	S.S	FNH106S0	1	1	1	1
9	THERMOSTAT PLATE (LO)	S.S	4Y3163-01	1	1	1	1
10	THERMOSTAT PLATE (UP)	S.S	4Y3164-01	1	1	1	1
11	PAN HEAD MACHINE SCREW W/ WASHERS	S.S	FSK0308S0	2	2	2	2
12	THERMISTOR (B) - ASSY	-	449759-01	1	1	1	1
13	FLOAT SWITCH	-	449401-01	1	1	1	1
14	NUT	-	449401F01	1	1	1	1
15	PACKING	SI.R	449401F02	1	1	1	1
16	FLOAT SWITCH	-	4Y2820-01	1	1	1	1
17	NUT	-	4Y2820F01	1	1	1	1
18	PACKING	SI.R	4Y2820F02	1	1	1	1
19	COVER (B) - RINSE TANK	S.S	4Y3659G01	1	1	1	1
20	TRUSS HEAD TAPPING SCREW	S.S	FT20408S0	4	4	4	4
21	PACKING (A)	SI.R	4Y3636-01	2	2	2	2
22	PACKING (B)	SI.R	4Y3637-01	2	2	2	2
23	WATER VALVE	-	456461-01	1	1	1	1
24	TRUSS HEAD MACHINE SCREW	S.S	FST0410S0	1	1	1	1
25	U-PACKING	EPDM	4Y3371-03	1	1	1	1
26	HOSE - RESERVOIR	EPDM	4Y4097R01	1	1	1	1
27	CAP (A)	EPDM	4X3337-01	1	1	1	1
28	HOSE CLAMP	PA66	P00728-02	1	1	1	1
29	HOSE BAND	-	427443-06	1	1	1	1
30	THERMOSTAT	-	4Y1929-02	2	2	2	2
31	PAN HEAD MACHINE SCREW W/ WASHERS	S.S	FSK0408S0	4	4	4	4
32	HOSE - WV	SI.R	4Y3492-01	1	1	1	1

