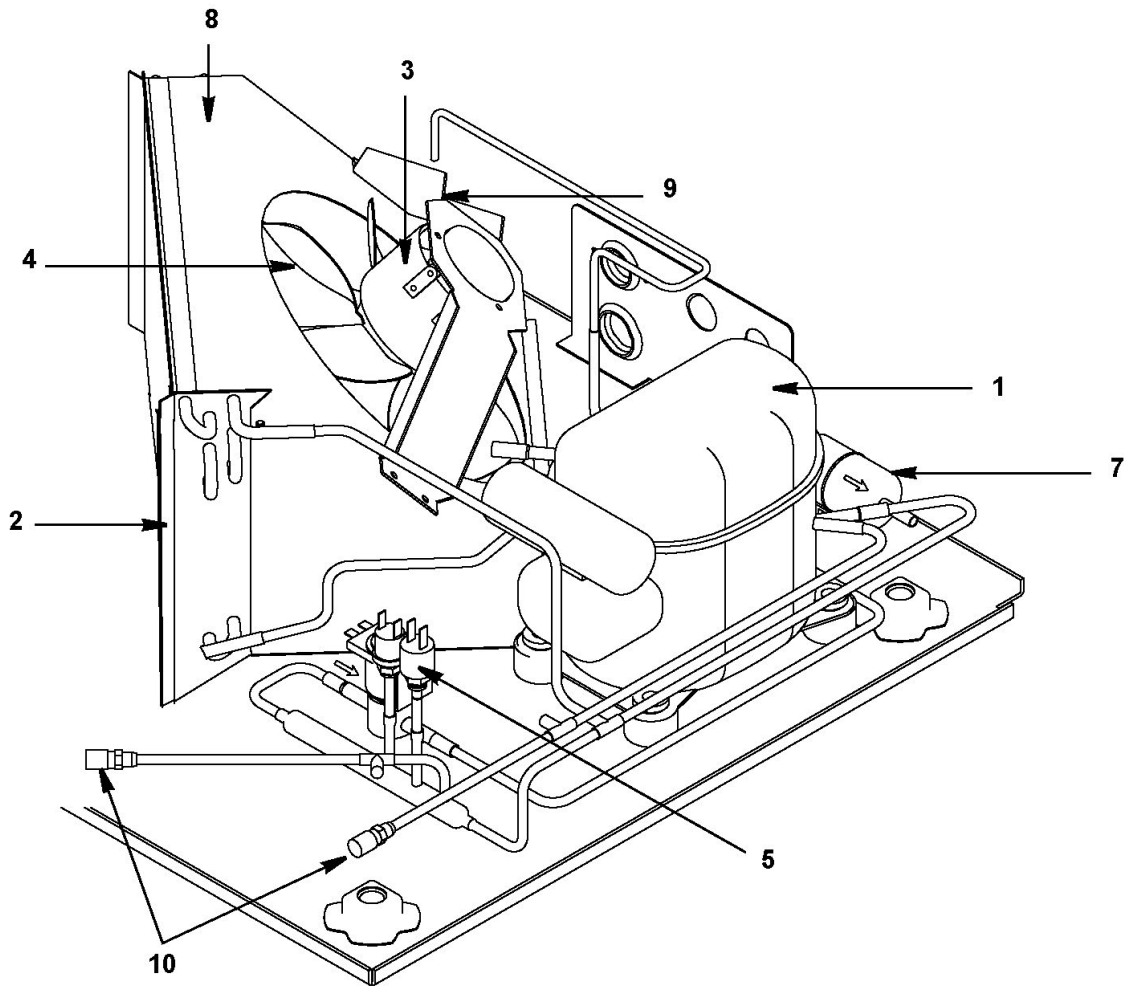


K0170 UnderCounter

K170 Refrigeration Compartment - Air-cooled Components



K170 Refrigeration Compartment - Air-cooled Components

K170 Air-cooled Compartment

Manitowoc

K0170 UnderCounter

K170 Refrigeration Compartment - Air-cooled Components

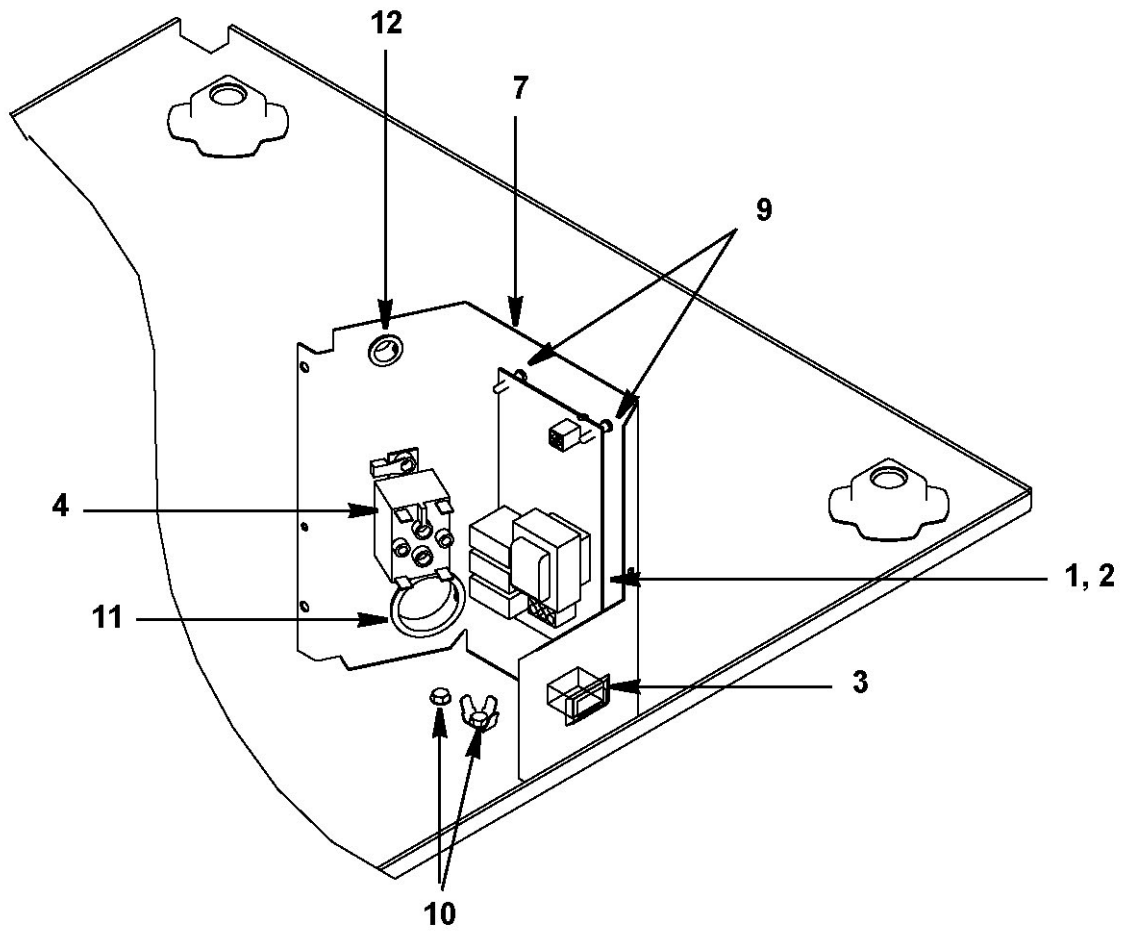
#	PART #	DESCRIPTION	QTY	Note
1		Compressor - See Refrigeration Page		
2	8851373	Air Condenser		
3		Fan Motor		
3a	040005737	Fan Motor - 115V/60 Hz		
3b	2000219	Fan Motor - 208-230V/50-60 Hz		
3c	5005513	Screw - Hex Head - M4 x 0.7 mm		[1]
4	3005659	Fan Blade		
5	000013509	Fan Cycling Control - 225-275 psig		
6	040003916	Air Filter - 11.37" x 7.75"		[2]
7	8930259	Drier without Access Port - 0.25"		
8	6026851	Fan Shroud		
9	000010922	Fan Motor Bracket		
9a	5202069	Screw - #10-24 x 0.5" HEX		
10	8373253	Access Valve - 6.0" L		
10a	7626843	Valve Cores		
11	5475079	Speed Nut - 0.25" x 20		

PART NOTES:

- [1] - Mounts Fan Motor to Bracket
- [2] - Includes air filter and filter bracket.

K0170 UnderCounter

K170 Control Box



K170 Control Box

K170 Control Box

K0170 UnderCounter

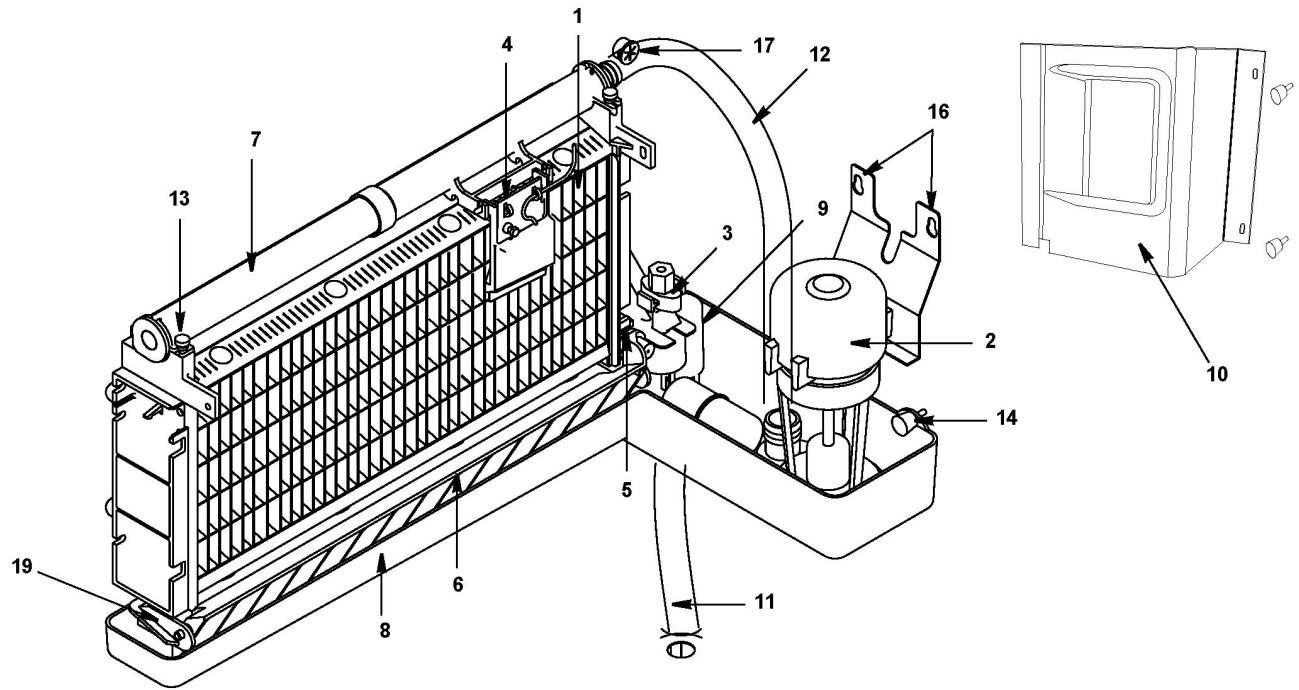
K170 Control Box

#	PART #	DESCRIPTION	QTY	Note
1	7629073	Control Board		
2	2511493	Fuse - 10A		
3	2301513	Toggle Switch		
3a	2032483	Wiring Harness - Toggle Switch		
4		Contactora		
4a	2006569	Contactora - 115V/60 Hz/1 Ph		
5		Wiring Harness		
5a	2002183	Wiring Harness - Air-cooled		
5b	2002193	Wiring Harness - Water-cooled		
5c	2007013	Wiring Harness - Ice Thickness Control Probe		
6		Power Cord		
6a	2006863	Power Cord - 115V/60 Hz		
7	6046931	Control Box		
8	7629083	Control Box Cover		
9	4302253	Control Board Mounting Supports		
10	5202329	Screw - #10-24 x 0.25" PHIL		
10a	5573209	Star Washer		
11	2500139	Bushing - 1.5"		
12	2502189	Bushing - 0.625"		

K170 Control Box

K0170 UnderCounter

K170 Evaporator Components



K170 Evaporator Components

K170 Evaporator Components

Manitowoc

K0170 UnderCounter

K170 Evaporator Components

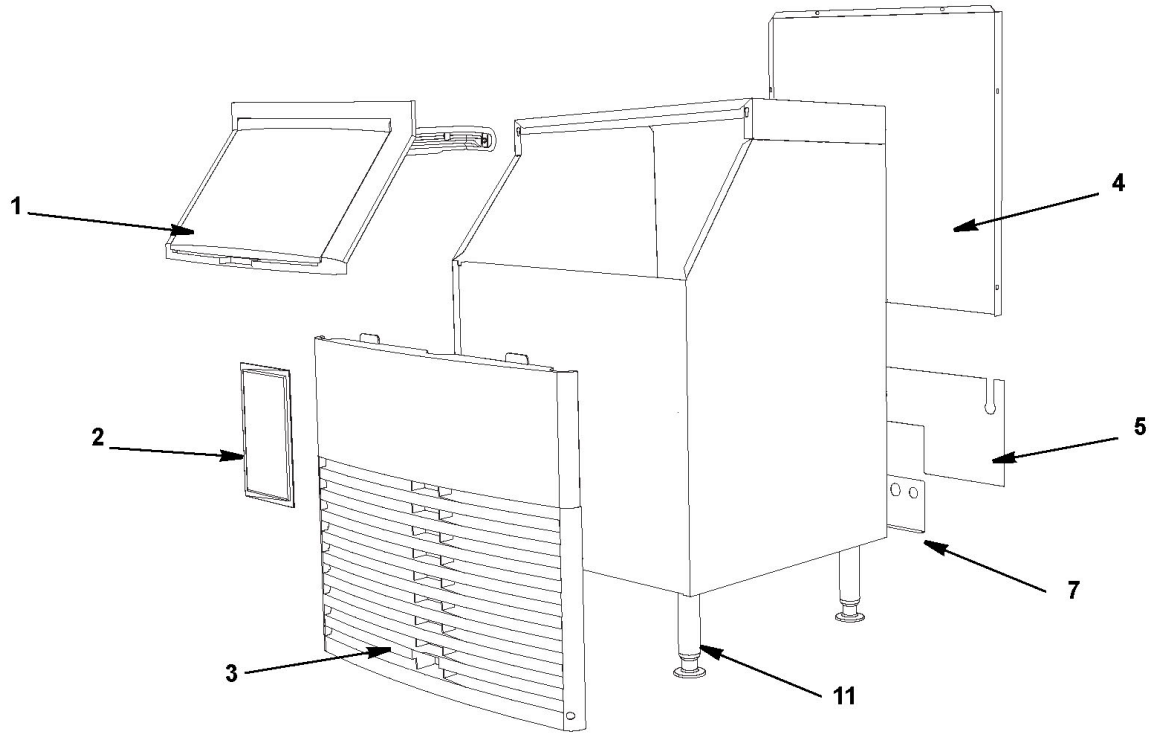
#	PART #	DESCRIPTION	QTY	Note
1		Evaporator Assembly		
1a	7629559	Evaporator - Dice Cube		
1b	7629569	Evaporator - Half Dice Cube		
1c	040001379	Bottom Frame Plug		
2		Water Pump		
2a	7623063	Water Pump - 115V/60 Hz		
3	8369049	Float Valve Assembly		
3a	8369069	Float Valve Screen		
3b	8369089	Float Valve Plunger		
3c	5650729	Compression Nut		
3d	7621403	Bracket		
4	7601603	Ice Thickness Control Probe Assembly w/14.0' Lead		
5	000007337	Magnetic Bin Switch		
6	000011555	Ice Damper		
6a	7629093	Magnet and Cap		
7	040002531	Water Distribution Tube - UnderCounters		[1]
8	040001251	Water Trough		
9	4302223	Siphon Cap		
10	000006754	Water Pump Cover		
10a	040001217	Thumbscrew - #8-32 x 0.625"		
11	7600853	Drain Tube		
12	040001234	Tubing		
13	5000013	Thumbscrew - #8-32 x 0.375"		
14	040001217	Thumbscrew - #8-32 x 0.625"		
15	5202189	Screw - #10-24 x 0.75"		
16	5202069	Screw - #10-24 x 0.5" HEX		
17	2500169	Bushing - 0.91" OD x 0.44" ID		
18	2078063	Water Pump Lead - 115V/60 Hz		
19	040001766	Evaporator Frame Assembly		

PART NOTES:

[1] - Includes distribution assembly and o-rings.

K0170 UnderCounter

K170 Panels



K170 Panels

K170 Panels

Manitowoc

K0170 UnderCounter

K170 Panels

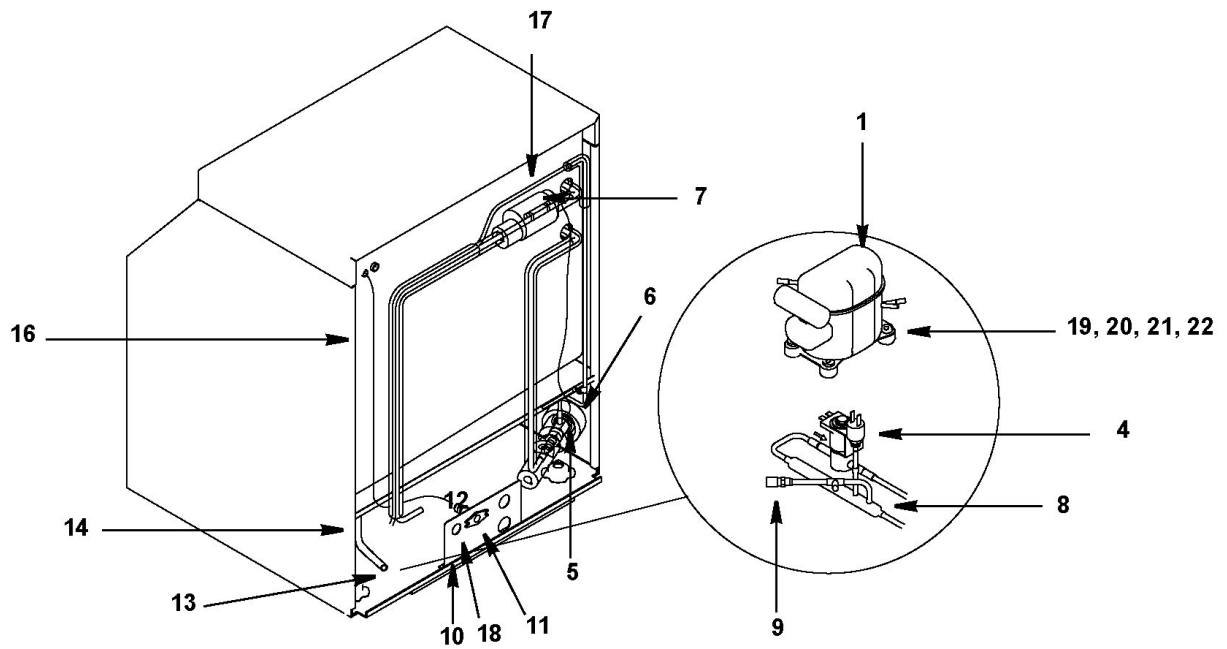
#	PART #	DESCRIPTION	QTY	Note
1	040003914	Bin Door & Door Frame Assembly		[1]
1a	040003913	Bin Door w/Pins		[2]
1b	040003912	Door Frame w/Screws		[3]
1c	000006837	Door Pin Sleeve		
1d	000015104	Screw - #8-18 x 0.625" SSDoor Frame		
2	040003916	Air Filter - 11.37" x 7.75"		[4]
3	040003915	Front Panel Assembly		
4	6026801	Back Panel, Upper		
5	6033501	Back Panel, Lower		
6	040004889	Ice Scoop - Standard - 32 ounces		
7	6026821	Coupling Panel		
8	5202239	Screws - #8 x 0.75"		[5]
8a	5474893	Tinnerman Clip - #8		
9	5202069	Screw - #10-24 x 0.5" HEX		
11	K00151	Legs - 6"		
12	040003942	Cartoning		

PART NOTES:

- [1] - Includes door frame sub-assembly, door track set left/right sub-assembly, screws, door assembly and sleeve door pin.
Includes Door Tracks, Pins Screws
- [2] - Includes door assembly and sleeve door pin.
- [3] - Includes Door Tracks and Screws
- [4] - Includes air filter and filter bracket.
- [5] - Pack of 10

K0170 UnderCounter

K170 Refrigeration Compartment - Common Components



K170 Refrigeration Compartment - Common Components

K170 Refrigeration Compartment



K0170 UnderCounter

K170 Refrigeration Compartment - Common Components

#	PART #	DESCRIPTION	QTY	Note
1	040002765	Compressor - Danfoss - 115V/60 Hz/1 Ph		[1]
3		Harvest Valve		
3a	040008538	Harvest Valve with Coil - 115V/60 Hz/1 Ph		
3b	040000101	Harvest Valve Coil Only -115V/60 Hz/1 Ph		
3c	040000104	Bracket - Harvest Valve		
4	000013579	High Pressure Cut-out - 300-450 psig		
5	040003693	Expansion Valve		
6	000012443	Valve Insulation Boot - Body - Danfoss		
7	4007203	Valve Insulation Boot - Bulb		
8	040007601	Manifold Strainer		
9	8373253	Access Valve - 6.0" L		
9a	7626843	Valve Cores		
10	6026821	Coupling Panel		
11	8706093	Female Wing Adapter - Brass - 0.375"		[2]
12	1360961	Male Connector - 0.375"		
13	000005423	Female Wing Adapter - 0.5"		
14	4420983	Bin Drain Tubing		
15	5650649	Snap Clamp - 0.75" - Nylon		
16	4420291	Tygon Tube - 0.25" OD		
17	5650529	Clamp - Expansion Valve Bulb		
18	5202069	Screw - #10-24 x 0.5" HEX		
19	8503069	Mounting - Rubber Grommet		
20	5573099	Mounting - Flat Washer		
21	5037709	Foundation Mounting Bolt		
22	8503949	Mounting - Sleeve		

PART NOTES:

[1] - Includes Start Components

[2] - Brass

If replacing a nylon fitting you must order 1360961