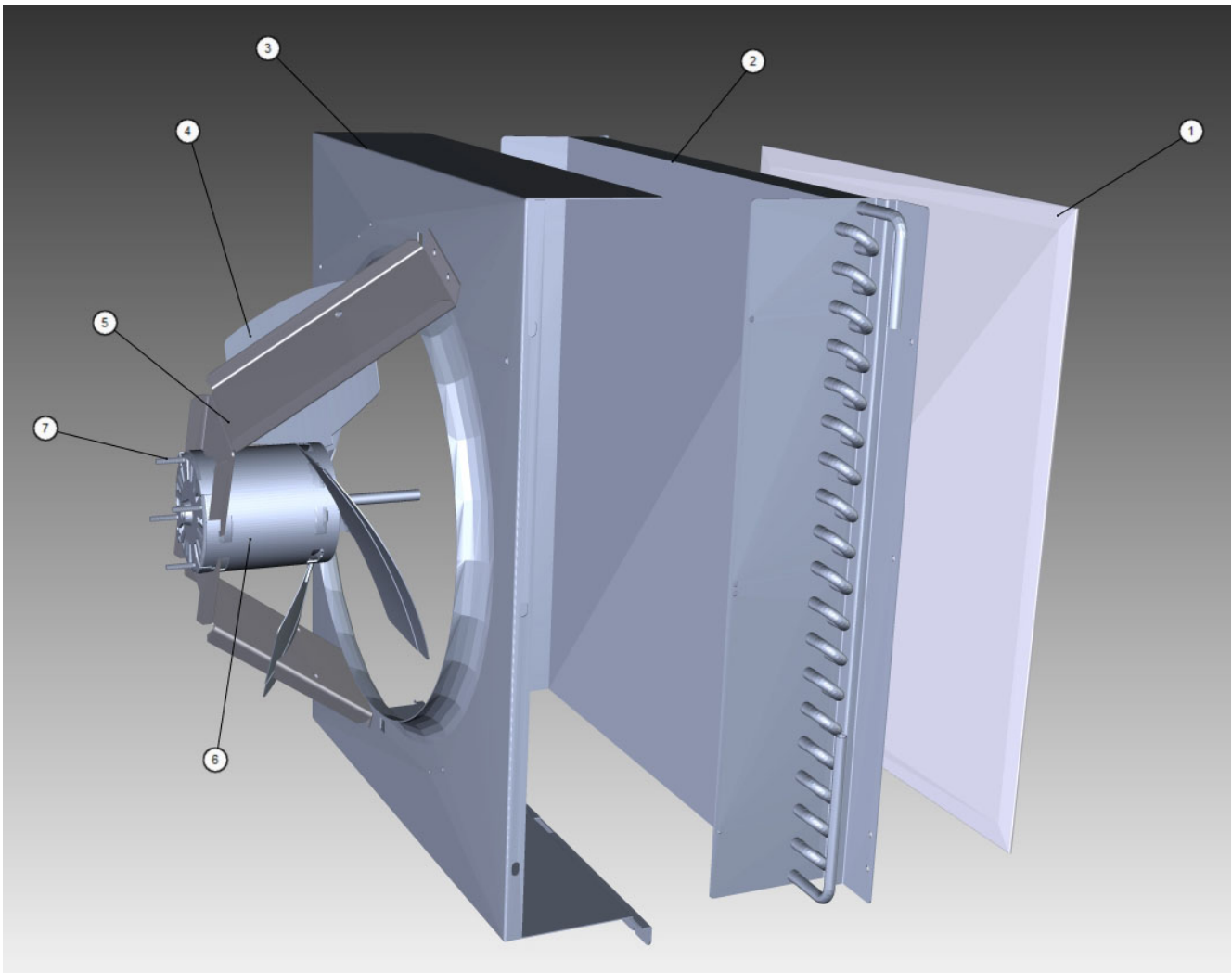


K0250

K0250 Refrigeration Compartment - Air-cooled Components



K0250 Refrigeration Compartment - Air-cooled Components

K0250 Air-cooled Components

Manitowoc

K0250

K0250 Refrigeration Compartment - Air-cooled Components

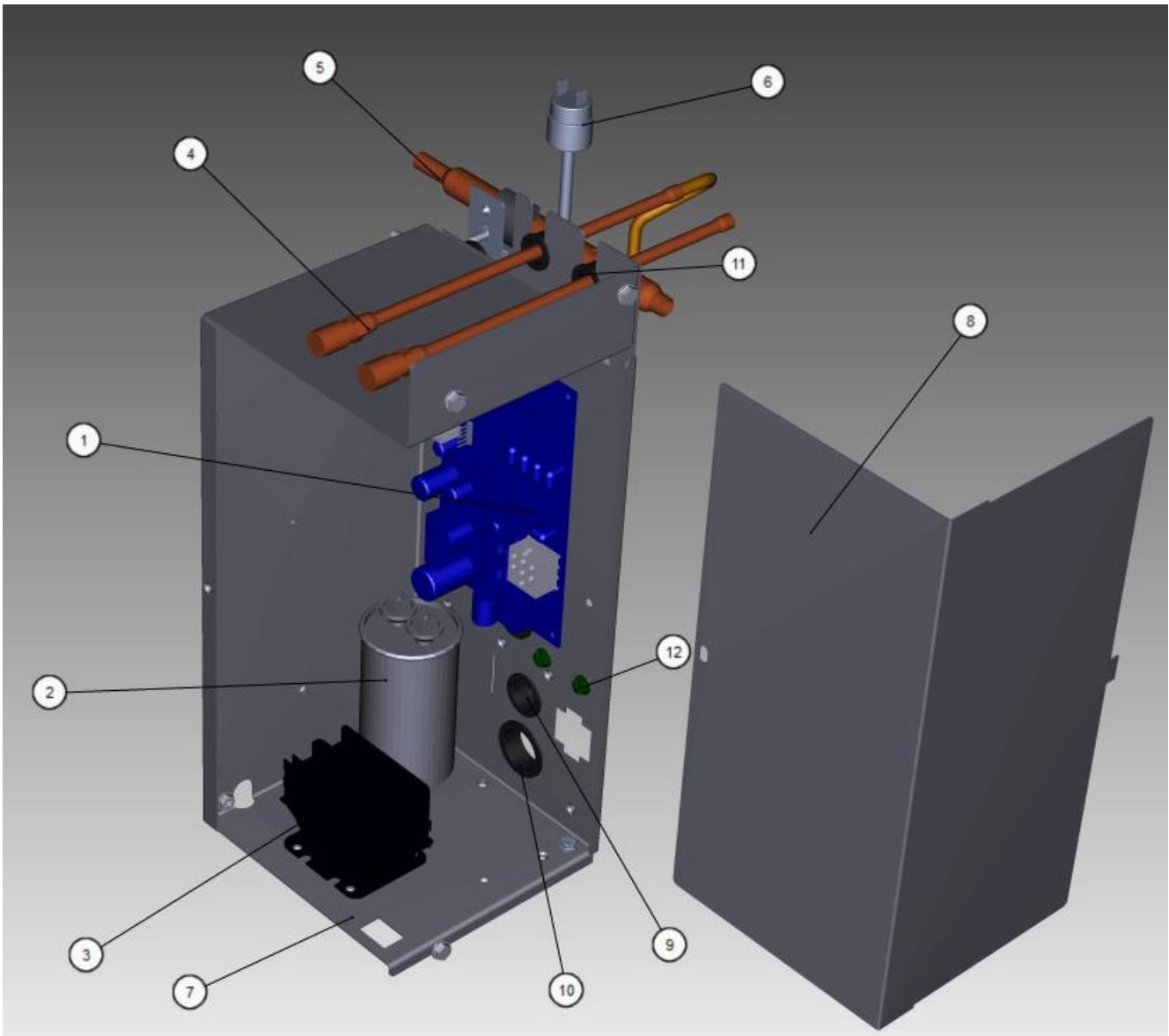
#	PART #	DESCRIPTION	QTY	Note
		Air Filter - See Notes for Usage		
1a	3005699	Air Filter - 14.0" x 12.78"		[1]
1b	3005939	Air Filter - 16.8" x 12.81"-50 Hz		[2]
2		Air Condenser - See Note for Usage		
2a	000010602	Air Condenser		[1]
2b	000008832	Air Condenser		[2]
		Fan Shroud - See Note for Usage		
3a	000010974	Fan Shroud		[1]
3a	000014015	Fan Shroud		[2]
4		Fan Blade - See Note for Usage		
4a	2416223	Fan Blade		[1]
4b	2416203	Fan Blade		[2]
7b	000000936	Mounting - Nut		
5		Fan Motor Bracket - See Note for Usage		
5a	000010977	Fan Motor Bracket		[1]
5	000014018	Fan Motor Bracket		[2]
6		Fan Motor		
6a	2412813	Fan Motor - 115V/60 Hz		
6b	2412939	Fan Motor - 208-230V/50-60 Hz		[3]
7		Fan Motor Mounting		
7a	5033589	Screw - Fan Motor		
8	5202069	Screw - #10-24 x 0.5" HEX		
9	000002764	Insulation - Manifold Tee to Condenser		

PART NOTES:

- [1] - 60 Hz
- [2] - 50 Hz
- [3] - Includes Nuts.

K0250

K0250 Control Box



K0250 Control Box

K0250 Control Box

K0250

K0250 Control Box

#	PART #	DESCRIPTION	QTY	Note
1	000015302	Control Board Assembly		[1]
1	040005242	Control Board - USE UP		
1a	000015010	Fuse - 3.15A		
1b	4302253	Control Board Mounting Supports		
2		Run Capacitor - See Note for Usage		
2a	000000028	Run Capacitor - 115-230V/50-60 Hz/1 Ph		[2]
2b	000010714	Run Capacitor - 230V/60 Hz/1 Ph		
2c	000010715	Run Capacitor - 230V/50-60 Hz/1 Ph		
2d	000010711	Bracket - Run Capacitor		
3		Contactors		
3a	2006589	Contactors - 115V/60 Hz/1 Ph		
3b	2006599	Contactors - 230V/50-60 Hz/1 Ph		
4	8373263	Access Valve - 7.25" L		
4a	7626843	Valve Cores		
5	000011170	Manifold Strainer		
5a	6058571	Bracket - Access Valves/Manifold Strainer		
6	000013576	High Pressure Cut-out 450-600 psig		
7	000010617	Control Box		
8	000012138	Control Box Cover		
9	2501409	Bushing - 0.875"		
10	2500019	Bushing - 1.187"		
11	2502189	Bushing - 0.625"		
12	5202169	Screw - #10-24 x 0.5" Ground		
13		Overload Protector		
13a	000011140	Overload Protector - 115V/60 Hz/1 Ph		
13b	000010852	Overload Protector - 230V/60 Hz/1 Ph		
13c	000010853	Overload Protector - Bracket		
14	2007939	Toggle Switch		
14a	000010724	Wiring Harness - Toggle Switch		
15	000013531	Fan Cycling Control - 335-275 psig		
16	5202069	Screw - #10-24 x 0.5" HEX		
17	5573209	Star Washer		
18		Wiring Harness - Control Box		
18a	000010264	Control Box Wiring Harness - 115V/60 Hz/1 Ph		[3]
18b	000013969	Control Box Wiring Harness - 115V/60 Hz/1 Ph		[4]
18c	000010265	Control Box Wiring Harness - 230V/60 Hz/1 Ph		[3]
18d	000013971	Control Box Wiring Harness - 230V/60 Hz/1 Ph		[4]
19	000007185	Wiring Harness - Compressor Compartment - Air-cooled		
20	000011182	Wiring Harness - Compressor - Samsung		
21	000010511	Wiring Harness - Float Switch to Control Box		
22	000014323	PTCR - 12A		[5]

PART NOTES:

- [1] - Includes board and instructions.
- [2] - 115V
- [3] - Without PTCR
- [4] - With PTCR

K0250 Control Box

K0250

K0250 Control Box

#	PART #	DESCRIPTION	QTY	Note
[5]	-	Used on Models After May 2017		

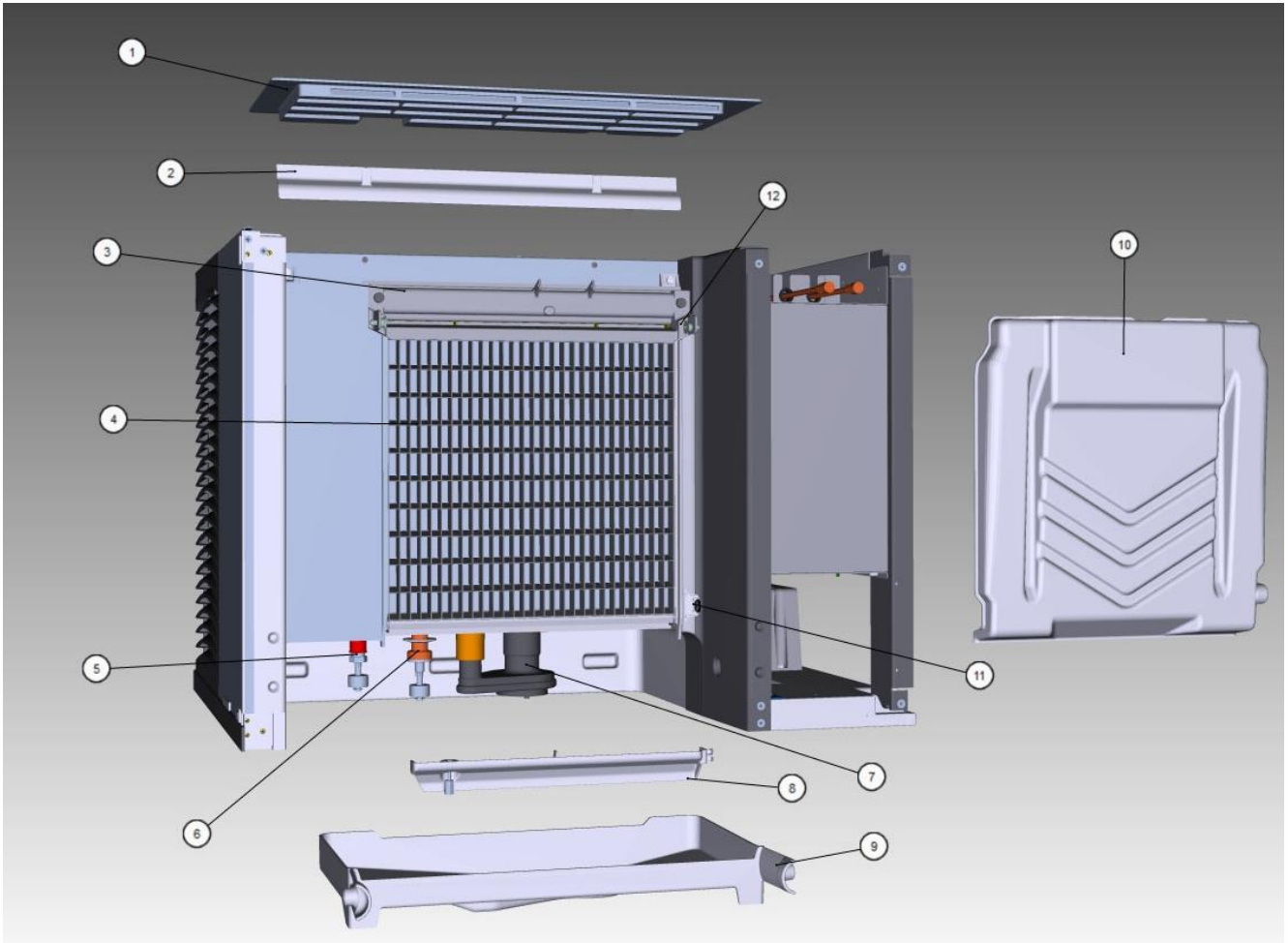
K0250 Control Box

K0250 Control Box



K0250

K0250 Evaporator Compartment



K0250 Evaporator Compartment

K0250 Evap Comp

K0250

K0250 Evaporator Compartment

#	PART #	DESCRIPTION	QTY	Note
1	000009055	Foodzone Seal Panel - 30"		[1]
2	4008469	Evaporator Top Filler Panel		[2]
2a	6063339	Bracket - Top Filler Panel		
2b	5202099	Screw - #10-24 x 0.5" PHIL		
3	7602789	Water Distribution Tube - 22"		
4		Evaporator		
4a	7602879	Evaporator - Dice Cube		
4b	7602889	Evaporator - Half Dice Cube		
5	000012651	Ice Thickness Float		
5a	000010630	Bracket - Ice Thickness Float		
6	000012649	Harvest Float		
6a	000010818	Bracket - Harvest Float		
7		Water Pump		
7a	2008929-ORA	Water Pump - 115V/60 Hz		
7b	2008949	Water Pump - 230V/50 Hz		[3]
7c	2008939	Water Pump - 230V/60 Hz		[3]
8	7602779	Water Diverter - 22" Models		
8a	5305123	Thumbscrew SS - #8-32 x 0.44"		
9	000010828	Water Trough - 30"		
10	4011189	Water Curtain		
11	000010510	Magnetic Bin Switch		
12	7602799	Evaporator Top Frame Assembly - 22"		[4]
12a	4010463	Evaporator Bottom Frame Assembly		
12b	5429139	Hex Nut - #8-32 Brass		
13	5004799	Thumbscrew SS - #8-32 x 0.375"		
14	5004629	O-Ring - 0.125" ID		
15	5004619	Screw - #12-16 x 0.687"		
16	5004659	Water Pump Base O-Ring - 4.00" ID		
17	5004679	Water Pump Outlet O-Ring - 0.875" ID		
18	000010244	Water Pump Mount		

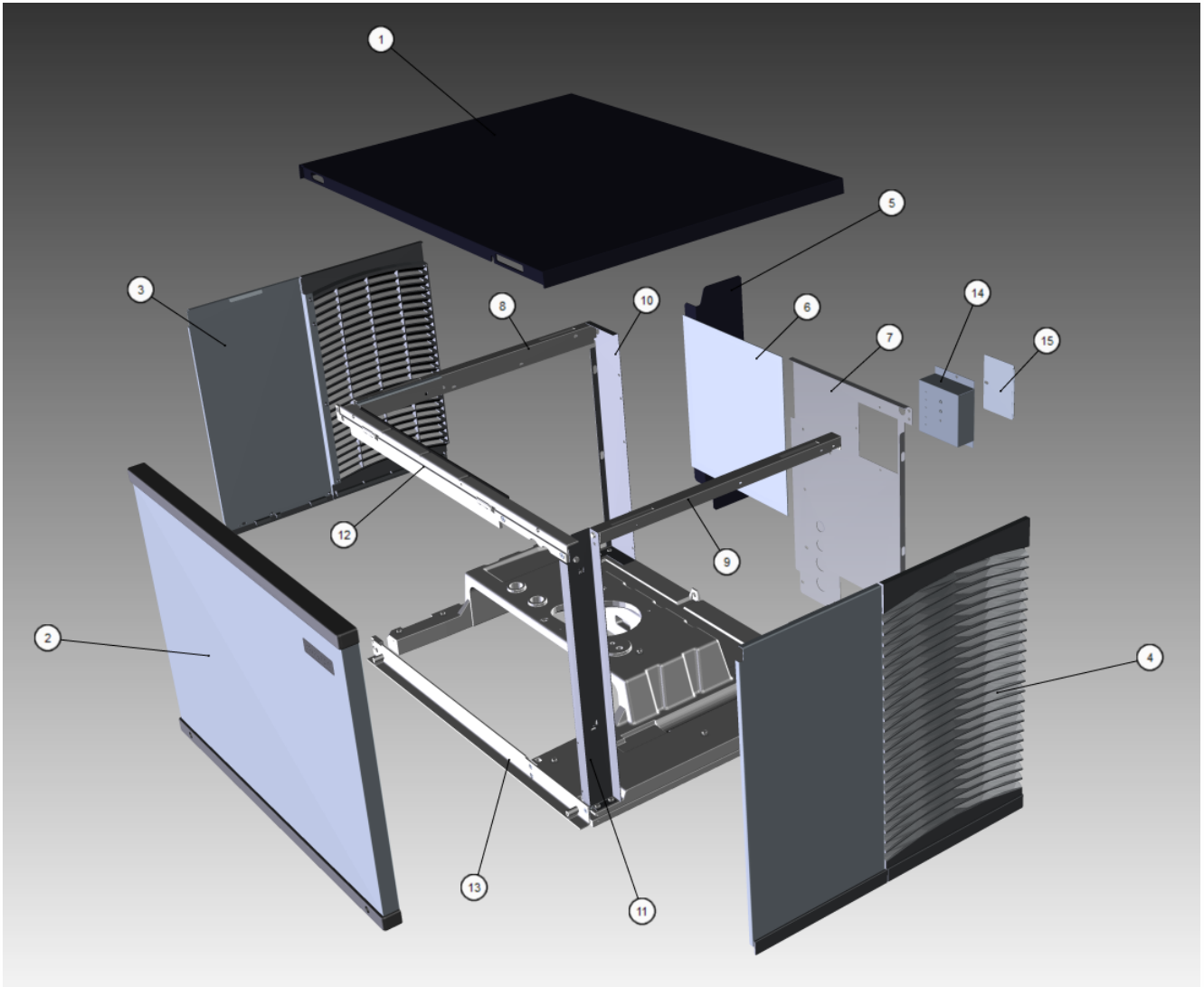
PART NOTES:

- [1] - Snaps into Place
- [2] - Includes Cover and Instructions
- [3] - Includes O-Rings
- [4] - Includes top frame disks and hex nuts.

K0250 Evaporator Compartment

K0250

K0250 Panels



K0250 Panels

K0250 Panels

Manitowoc

K0250

K0250 Panels

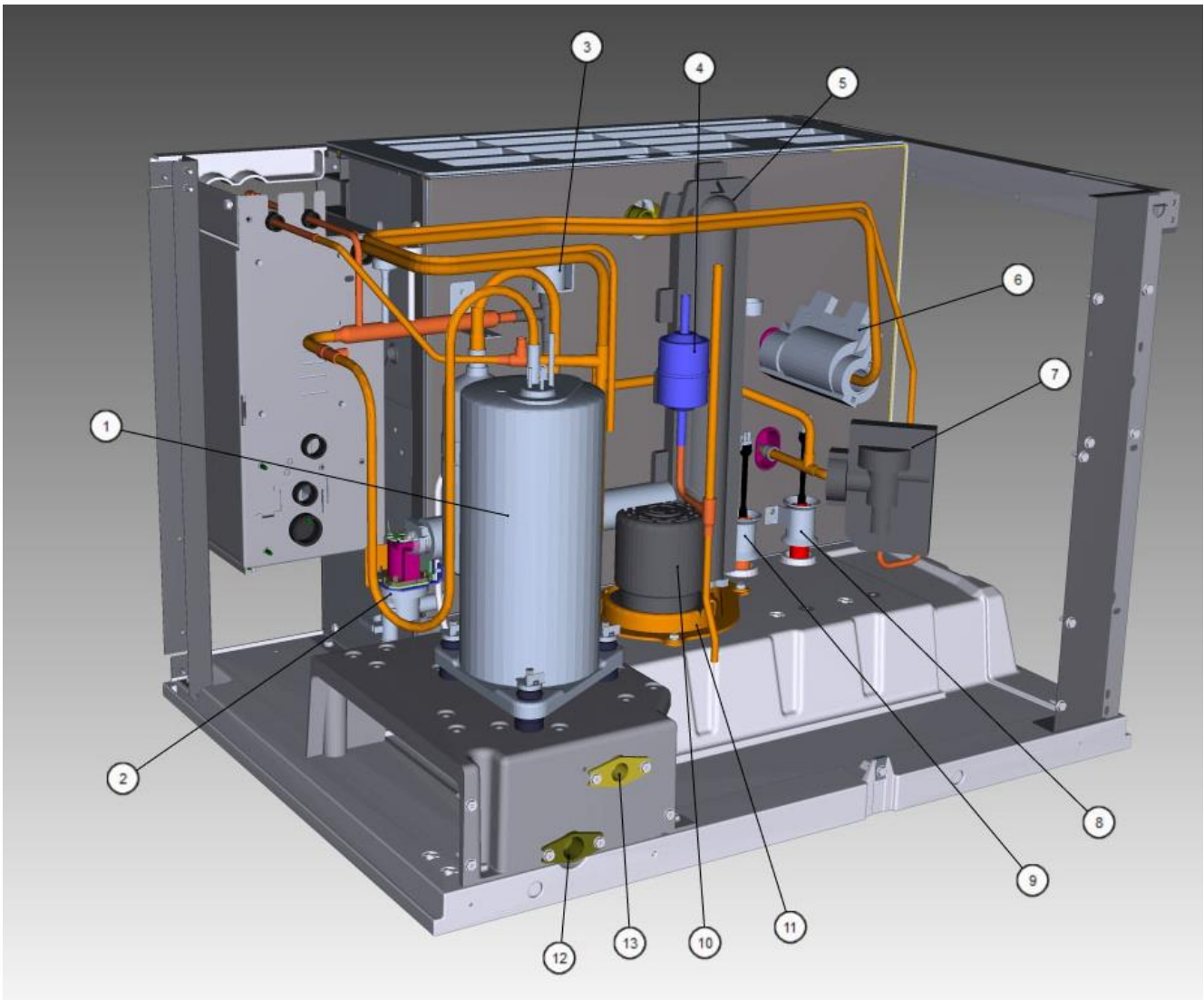
#	PART #	DESCRIPTION	QTY	Note
1	000010523	Top Cover		
2	000012139	Front Panel		
2a	000010600	Door - Drip Lip		
2b	000010293	Front Panel Mounting Brackets		
2c	000008023	Screw - #8-32 x 0.875"		
3	000011272	Left Side Panel		[1]
4	000011271	Right Side Panel		[2]
5	000007314	Air Baffle Assembly		
6	3005699	Air Filter - 14.0" x 12.78"		
7	000010670	Back Panel - Air-cooled		
8	6068649	Left Top Channel		
9	000011032	Right Top Channel		
10	000011329	Left Corner Post		
11	000011326	Right Corner Post		
12	000010269	Front Top Support		
13	000010268	Bottom Door Frame		
13a	000001127	Tapping Plate - Panel Hinge Screws		
14	6067289	Rear Connection Box		
15	6067299	Cover - Rear Connection Box		
16	2006143	Terminal Block - 50 Hz - 3 Pole		
17	5202169	Screw - #10-24 x 0.5" Ground		
18	5005099	Screw - #10-16 x 0.625"		
19	8706083	Female Wing Adapter - Brass - 0.5"		
20	5202099	Screw - #10-24 x 0.5" PHIL		
21	000012225	Cartoning		

PART NOTES:

- [1] - Includes panel louver, panel trim bottom, left side panel and dual lock-low profile fastener.
- [2] - Includes panel louver, panel trim bottom, right side panel and dual lock-low profile fastener.

K0250

K0250 Refrigeration Compartment - Common Components



K0250 Refrigeration Compartment - Common Components

K0250 Refrigeration Compartment

Manitowoc

K0250

K0250 Refrigeration Compartment - Common Components

#	PART #	DESCRIPTION	QTY	Note
1		Compressor		
1a	000010460	Compressor - Samsung - 115V/60 Hz/1 Ph		
1b	000010461	Compressor - Samsung - 230V/50 Hz/1 Ph		
1c	000010459	Compressor - Samsung - 208-230V/60 Hz/1 Ph		
1d	000012000	Accumulator		
1e	000011999	Dual Tie Clamps - Plastic		
2		Water Dump Valve		
2a	000014062	Water Dump Valve - 115V/60 Hz		
2b	000014063	Water Dump Valve - 208-230V/50-60 Hz		
2c	6058459	Mounting Bracket - Water Dump Valve		
2d	4420383	Clear Tubing - 0.625" ID		
3		Harvest Valve		
3a	000015045	Solenoid Valve 0.375" x 0.375" Including 115V/60 Hz Electrical Coil		[1]
3b	000005156	Solenoid Valve Coil Only - 115V/60 Hz		
3c	000015044	Solenoid Valve 0.375" x 0.375" Including 208-230V/50-60 Hz Electrical Coil		[1]
3d	000005157	Solenoid Valve Coil Only - 230V/50-60 Hz		
4	8930259	Drier without Access Port - 0.25"		
5	000015402	Insulated Tube		
5a	5650609	Snap Clamp - 1.0" ID		
5b	5650709	Snap Clamp - 0.8" x 0.9" ID		
6	000002719	Valve Insulation Boot - Bulb - Danfoss		
6a	5650529	Clamp - Expansion Valve Bulb		
6b	3000833	Strap - Expansion Valve Bulb - 0.375"		
7	000012462	Expansion Valve		
7a	4000403	Insulation Boot - Valve Body		
8	000012651	Ice Thickness Float		
8a	000010630	Bracket - Ice Thickness Float		
9	000012649	Harvest Float		
9a	000010818	Bracket - Harvest Float		
10		Water Pump		
10a	2008929-ORA	Water Pump - 115V/60 Hz		
10b	2008949	Water Pump - 230V/50 Hz		[2]
10c	2008939	Water Pump - 230V/60 Hz		[2]
11	000010244	Water Pump Mount		
12	000005423	Female Wing Adapter - 0.5"		
12a	000001382	Vinyl Tubing 0.625" ID		
12b	6038831	Insulation - 0.88" ID x 0.25" W x 13.5" L		
12c	5650709	Snap Clamp - 0.8" x 0.9" ID		
13	8706093	Female Wing Adapter - Brass - 0.375"		[3]
13a	1360961	Male Connector - 0.375"		
14		Water Inlet Valve		
14a	000009120	Water Inlet Valve - 115V/60 Hz/1 Ph		[4]
14b	000009126	Water Inlet Valve - 208-230V/50-60 Hz		[4]
15	6061709	Compressor Mounting Base		[5]
16		Rubber Grommet - See Note for Usage		

K0250 Refrigeration Compartment - Common Components

K0250

K0250 Refrigeration Compartment - Common Components

#	PART #	DESCRIPTION	QTY	Note
16a	000010851	Rubber Grommet		[6]
16b	000014348	Rubber Grommet		[7]
17	5202069	Screw - #10-24 x 0.5" HEX		
18	000011505	Terminal Cover		
18a	000011506	Terminal Cover Gasket		
18b	000010854	Terminal Cover Nut		

PART NOTES:

- [1] - With Screen
- [2] - Includes O-Rings
- [3] - Brass
If replacing a nylon fitting you must order 1360961
- [4] - 0.5 gpm
Includes water valve inlet, bracket, screws, adapter and locking clip.
- [5] - Includes washers and screws.
- [6] - 60 Hz
- [7] - 50 Hz