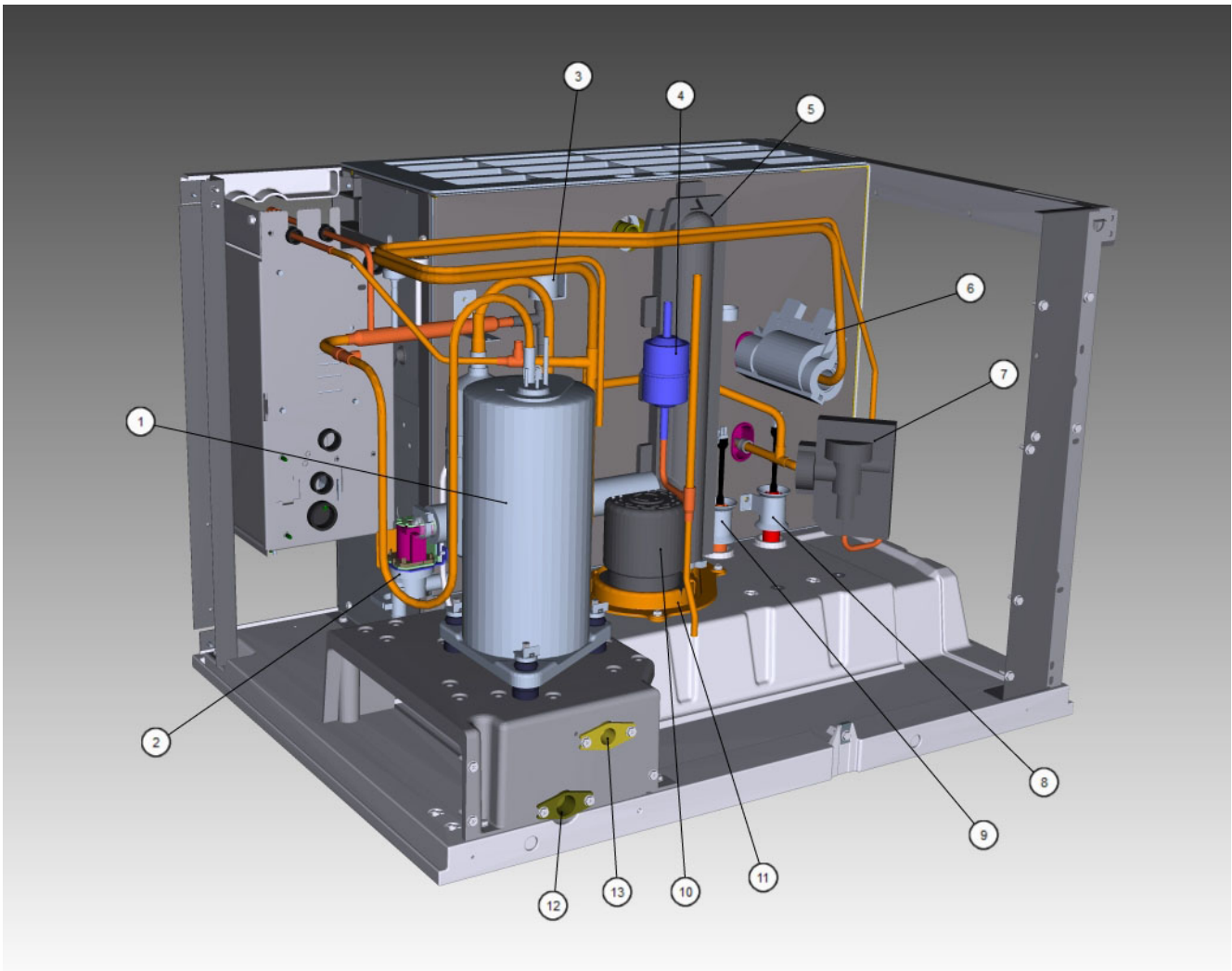


K0350

K0350 Refrigeration Compartment - Common Components



K0350 Refrigeration Compartment - Common Components

K0350 Refrigeration Compartment



K0350

K0350 Refrigeration Compartment - Common Components

#	PART #	DESCRIPTION	QTY	Note
1		Compressor		
1a	000010315	Compressor - Samsung - 115V/60 Hz/1 Ph		
1b	000010316	Compressor - Samsung - 208-230V/60 Hz/1 Ph		
1c	000010464	Compressor - Samsung - 230V/50 Hz/1 Ph		
2		Water Dump Valve		
2a	000014062	Water Dump Valve - 115V/60 Hz		
2b	000014063	Water Dump Valve - 208-230V/50-60 Hz		
2c	6058459	Mounting Bracket - Water Dump Valve		
2d	4420383	Clear Tubing - 0.625" ID		
3		Harvest Valve		
3a	000015045	Solenoid Valve 0.375" x 0.375" Including 115V/60 Hz Electrical Coil		[1]
3b	000005156	Solenoid Valve Coil Only - 115V/60 Hz		
3c	000015044	Solenoid Valve 0.375" x 0.375" Including 208-230V/50-60 Hz Electrical Coil		[1]
3d	000005157	Solenoid Valve Coil Only - 230V/50-60 Hz		
4	8930259	Drier without Access Port - 0.25"		
5	000015402	Insulated Tube		
5a	5650609	Snap Clamp - 1.0" ID		
5b	5650709	Snap Clamp - 0.8" x 0.9" ID		
6	000002719	Valve Insulation Boot - Bulb - Danfoss		
6a	5650529	Clamp - Expansion Valve Bulb		
6b	3000503	Strap - Expansion Valve Bulb - 0.5"		
7		Expansion Valve - See Note for Usage		
7a	000012464	Expansion Valve - Danfoss		[2]
7b	000012142	Expansion Valve - Danfoss		[3]
7c	4000403	Insulation Boot - Valve Body		
8	000012651	Ice Thickness Float		
8a	000010630	Bracket - Ice Thickness Float		
9	000012649	Harvest Float		
9a	000010818	Bracket - Harvest Float		
10		Water Pump		
10a	2008929-ORA	Water Pump - 115V/60 Hz		
10b	2008939	Water Pump - 230V/60 Hz		[4]
11	000010244	Water Pump Mount		
12	000005423	Female Wing Adapter - 0.5"		
12a	000001382	Vinyl Tubing 0.625" ID		
12b	6038831	Insulation - 0.88" ID x 0.25" W x 13.5" L		
12c	5650709	Snap Clamp - 0.8" x 0.9" ID		
13	8706093	Female Wing Adapter - Brass - 0.375"		[5]
13a	1360961	Male Connector - 0.375"		
14		Water Inlet Valve		
14a	000009120	Water Inlet Valve - 115V/60 Hz/1 Ph		[6]
14b	000009126	Water Inlet Valve - 208-230V/50-60 Hz		[6]
15	6061709	Compressor Mounting Base		[7]
16	000014348	Rubber Grommet		
17	5202069	Screw - #10-24 x 0.5" HEX		

K0350 Refrigeration Compartment - Common Components

K0350

K0350 Refrigeration Compartment - Common Components

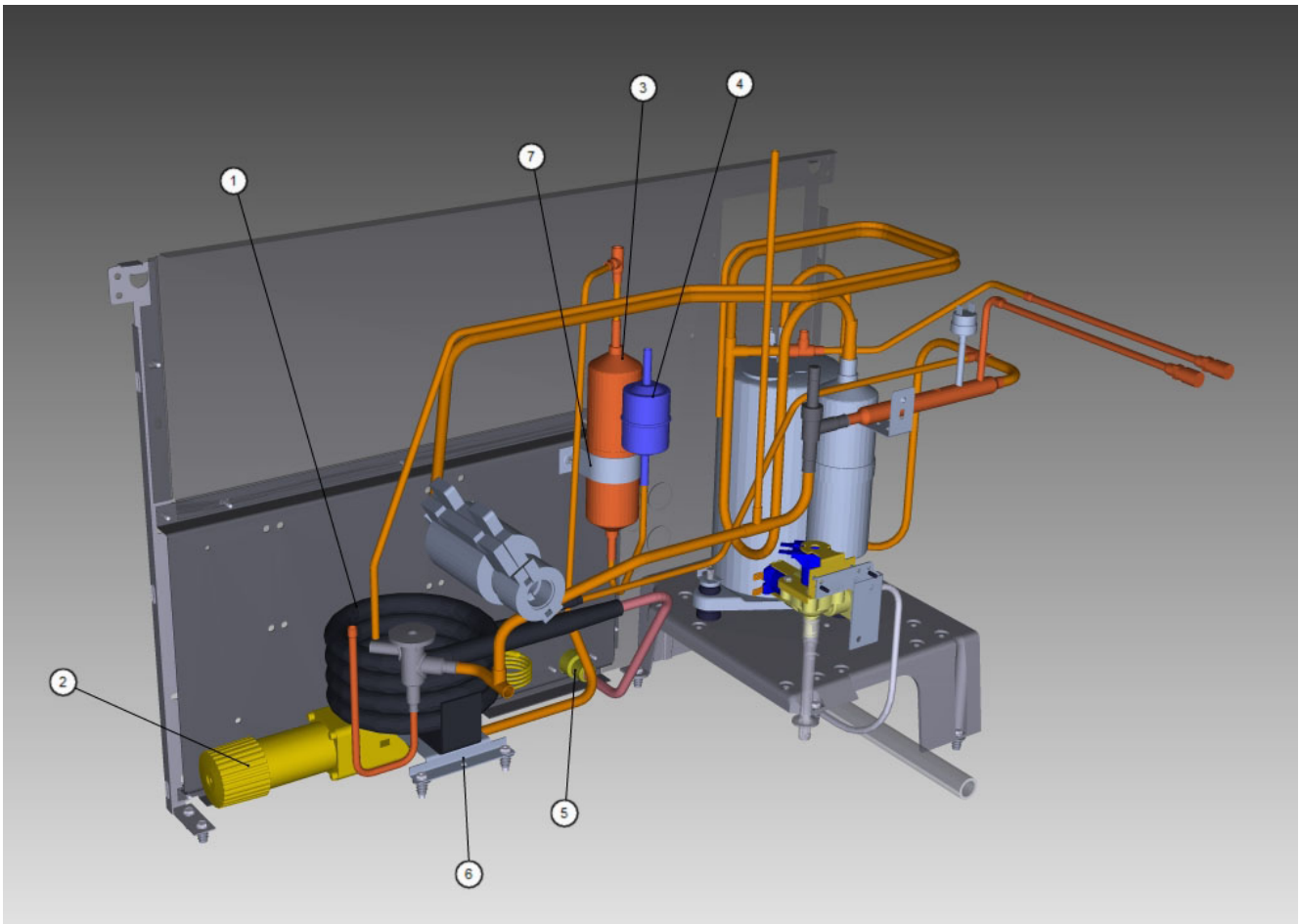
#	PART #	DESCRIPTION	QTY	Note
18	000011505	Terminal Cover		
18a	000011506	Terminal Cover Gasket		
18b	000010854	Terminal Cover Nut		

PART NOTES:

- [1] - With Screen
 - [2] - Air-cooled
 - [3] - Water-cooled
 - [4] - Includes O-Rings
 - [5] - Brass
- If replacing a nylon fitting you must order 1360961
- [6] - 0.5 gpm
- Includes water valve inlet, bracket, screws, adapter and locking clip.
- [7] - Includes washers and screws.

K0350

K0350 Refrigeration Compartment - Water-cooled Components



K0350 Refrigeration Compartment - Water-cooled Components

K0350 Water-cooled Compartment



K0350

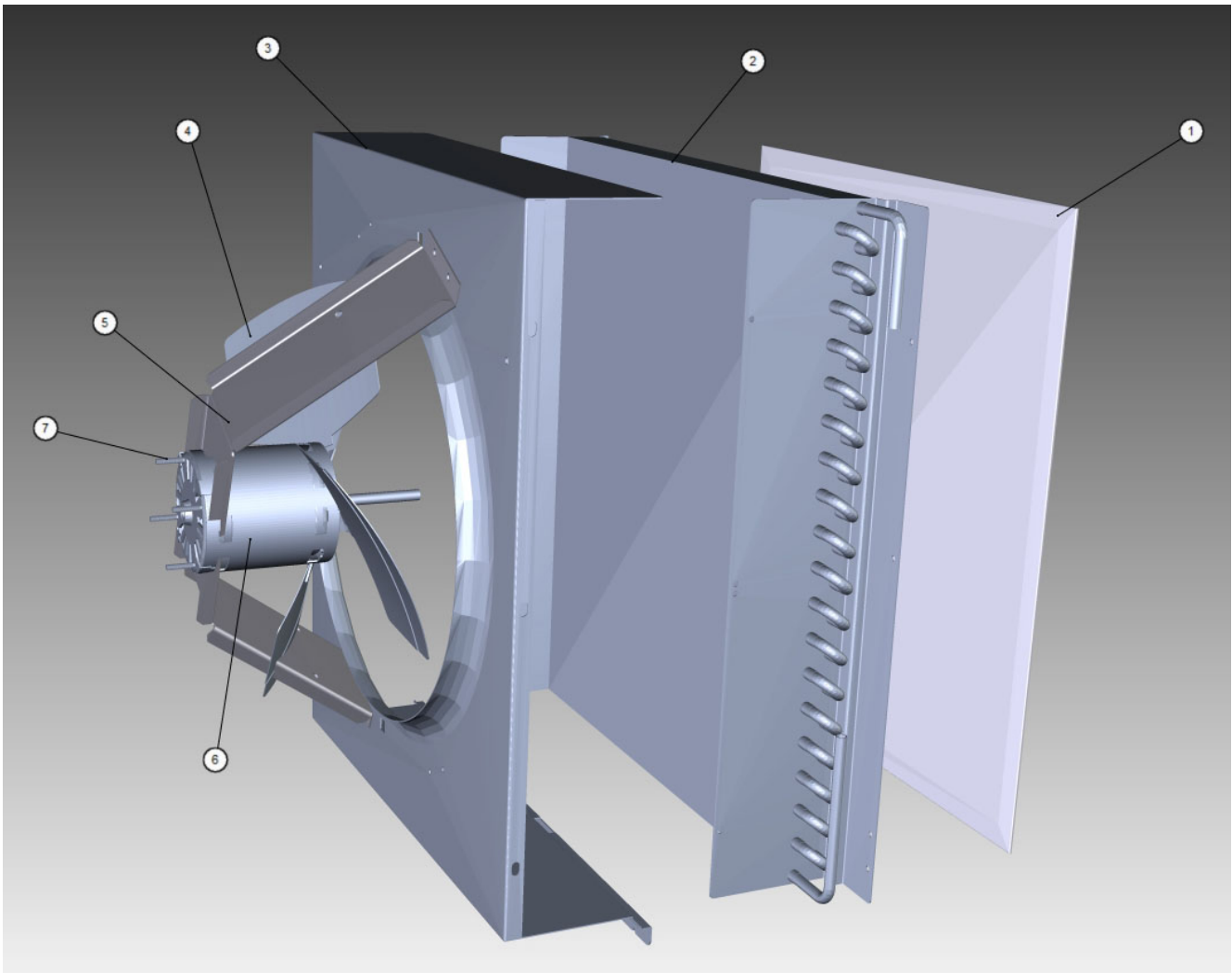
K0350 Refrigeration Compartment - Water-cooled Components

#	PART #	DESCRIPTION	QTY	Note
1	00000045	Water-cooled Condenser		
2	000013475	Water Regulating Valve - 0.375"		
3	000008892	Receiver		
4	8930259	Drier without Access Port - 0.25"		
5	8706103	Female Wing Adapter - Brass - 0.5" NPT x 0.375" ODF		
6	000010604	Mounting Base - Water Condenser or Receiver Condenser Mounting		
7	6000541	Receiver Strap		
8	5002159	Elbow - 0.375" MF x 0.375" MPT		
9	5202069	Screw - #10-24 x 0.5" HEX		
10	5573419	Washer		
11	8706083	Female Wing Adapter - Brass - 0.5"		

K0350 Refrigeration Compartment - Water-cooled Components

K0350

K0350 Refrigeration Compartment - Air-cooled Components



K0350 Refrigeration Compartment - Air-cooled Components

Koolaire Air-cooled Compartment

Manitowoc

K0350

K0350 Refrigeration Compartment - Air-cooled Components

#	PART #	DESCRIPTION	QTY	Note
1	3005939	Air Filter - 16.8" x 12.81"-60 Hz		[1]
1a	3005569	Air Filter - 14.29" x 16.94"-50 Hz		[2]
2		Air Condenser - See Note for Usage		
2a	000008832	Air Condenser		[1]
2b	000008850	Air Condenser		[2]
3	000010963	Fan Shroud		
4	2416203	Fan Blade		
5	000010977	Fan Motor Bracket		
6		Fan Motor		
6a	2412929	Fan Motor - 115V/60 Hz/1 Ph		[3]
6b	2412939	Fan Motor - 208-230V/50-60 Hz		[4]
7		Fan Motor Mounting		
7a	5033589	Screw Fan Motor		
7b	000000936	Mounting - Nut Fan Motor Mounting -		
8	5202069	Screw - #10-24 x 0.5" HEX		

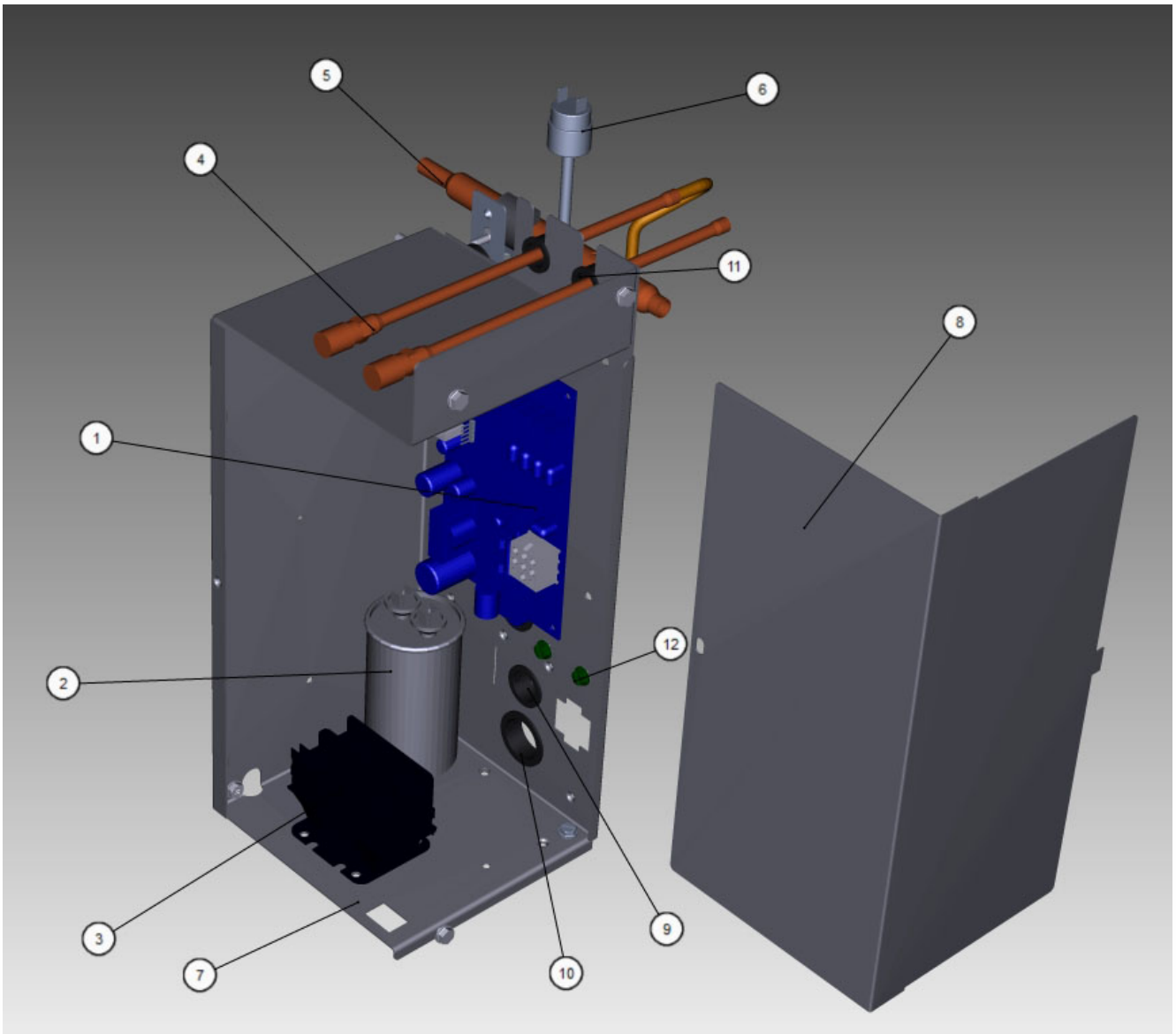
PART NOTES:

- [1] - 60 Hz
- [2] - 50 Hz
- [3] - Includes Nuts
- [4] - Includes Nuts.

K0350 Refrigeration Compartment - Air-cooled Components

K0350

K0350 Control Box



K0350 Control Box

Koolaire Control Box

K0350

K0350 Control Box

#	PART #	DESCRIPTION	QTY	Note
1	000015302	Control Board Assembly		[1]
1	040005242	Control Board - USE UP		
1a	000015010	Fuse - 3.15A		
1b	4302253	Control Board Mounting Supports		
2		Run Capacitor - See Note for Usage		
2a	000010708	Run Capacitor - 115-230V/50-60 Hz/1 Ph		[2]
2b	000010715	Run Capacitor - 230V/50-60 Hz/1 Ph		[3]
2c	000011640	Run Capacitor - 230V/50-60 Hz/1 Ph		[4]
2d	000010711	Bracket - Run Capacitor		
3		Contactors		
3a	2006589	Contactors - 115V/60 Hz/1 Ph		
3b	2006599	Contactors - 230V/50-60 Hz/1 Ph		
4	8373263	Access Valve - 7.25" L		
4a	7626843	Valve Cores		
5	000011170	Manifold Strainer		
5a	6058571	Bracket - Access Valves/Manifold Strainer		
6	000013576	High Pressure Cut-out 450-600 psig		
7	000010617	Control Box		
8	000012138	Control Box Cover		
9	2501409	Bushing - 0.875"		
10	2500019	Bushing - 1.187"		
11	2502189	Bushing - 0.625"		
12	5202169	Screw - #10-24 x 0.5" Ground		
13		Overload Protector		
13a	000011142	Overload Protector - 115V/60 Hz/1 Ph		
13b	000011143	Overload Protector - 230V/60 Hz/1 Ph		
13c	000010853	Overload Protector - Bracket		
14	2007939	Toggle Switch		
14a	000010724	Wiring Harness - Toggle Switch		
15	000013531	Fan Cycling Control - 335-275 psig		[5]
16	5202069	Screw - #10-24 x 0.5" HEX		
17	5573209	Star Washer		
18		Wiring Harness - Control Box		
18a	000010264	Control Box Wiring Harness - 115V/60 Hz/1 Ph		[6]
18b	000013969	Control Box Wiring Harness - 115V/60 Hz/1 Ph		[7]
18c	000010265	Control Box Wiring Harness - 230V/60 Hz/1 Ph		[6]
18d	000013971	Control Box Wiring Harness - 230V/60 Hz/1 Ph		[7]
19		Wiring Harness - Compressor Compartment		
19a	000007185	Wiring Harness - Compressor Compartment - Air-cooled		
19b	000007177	Wiring Harness - Compressor Compartment - Water-cooled		
20	000011182	Wiring Harness - Compressor - Samsung		
21	000010511	Wiring Harness - Float Switch to Control Box		
22	000014323	PTCR - 12A		

PART NOTES:

- [1] - Includes board and instructions.
- [2] - 115V/60 Hz

K0350 Control Box

K0350

K0350 Control Box

#	PART #	DESCRIPTION	QTY	Note
[3]	-	230V/60 Hz		
[4]	-	230V/50 Hz		
[5]	-	Air-cooled Only		
[6]	-	Without PTCR		
[7]	-	With PTCR		

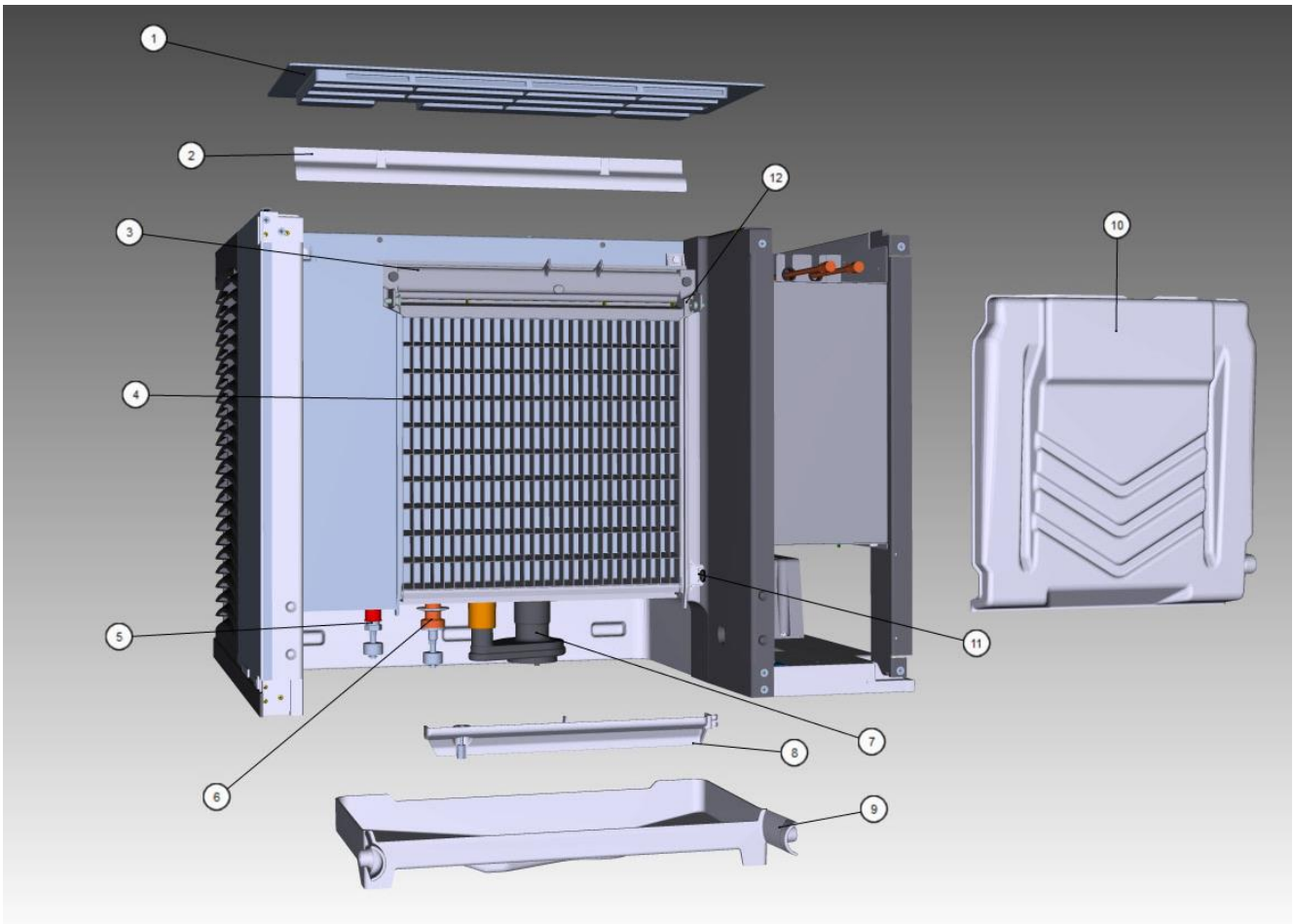
K0350 Control Box

Koolaire Control Box

Manitowoc

K0350

K0350 Evaporator Compartment



K0350 Evaporator Compartment

Koolaire Evap Compartment

K0350

K0350 Evaporator Compartment

#	PART #	DESCRIPTION	QTY	Note
1	00009055	Foodzone Seal Panel - 30"		[1]
2	4008469	Evaporator Top Filler Panel		[2]
2a	6063339	Bracket - Top Filler Panel		
2b	5202099	Screw - #10-24 x 0.5" PHIL		
3	7602789	Water Distribution Tube - 22"		
4		Evaporator		
4a	7602879	Evaporator - Dice Cube		
4b	7602889	Evaporator - Half Dice Cube		
5	000012651	Ice Thickness Float		
5a	000010630	Bracket - Ice Thickness Float		
6	000012649	Harvest Float		
6a	000010818	Bracket - Harvest Float		
7a	2008929-ORA	Water Pump - 115V/60 Hz		
7b	2008939	Water Pump - 230V/60 Hz		[3]
7c	2008949	Water Pump - 230V/50 Hz		[3]
8	7602779	Water Diverter - 22" Models		
8a	5305123	Thumbscrew SS - #8-32 x 0.44"		
9	000010828	Water Trough - 30"		
10	4011189	Water Curtain		
11	000010510	Magnetic Bin Switch		
12	7602799	Evaporator Top Frame Assembly - 22"		[4]
12a	4010463	Evaporator Bottom Frame Assembly		
12b	5429139	Hex Nut - #8-32 Brass		
13	5004799	Thumbscrew SS - #8-32 x 0.375"		
14	5004629	O-Ring - 0.125" ID		
15	5004619	Screw - #12-16 x 0.687"		
16	5004659	Water Pump Base O-Ring - 4.00" ID		
17	5004679	Water Pump Outlet O-Ring - 0.875" ID		
18	000010244	Water Pump Mount		

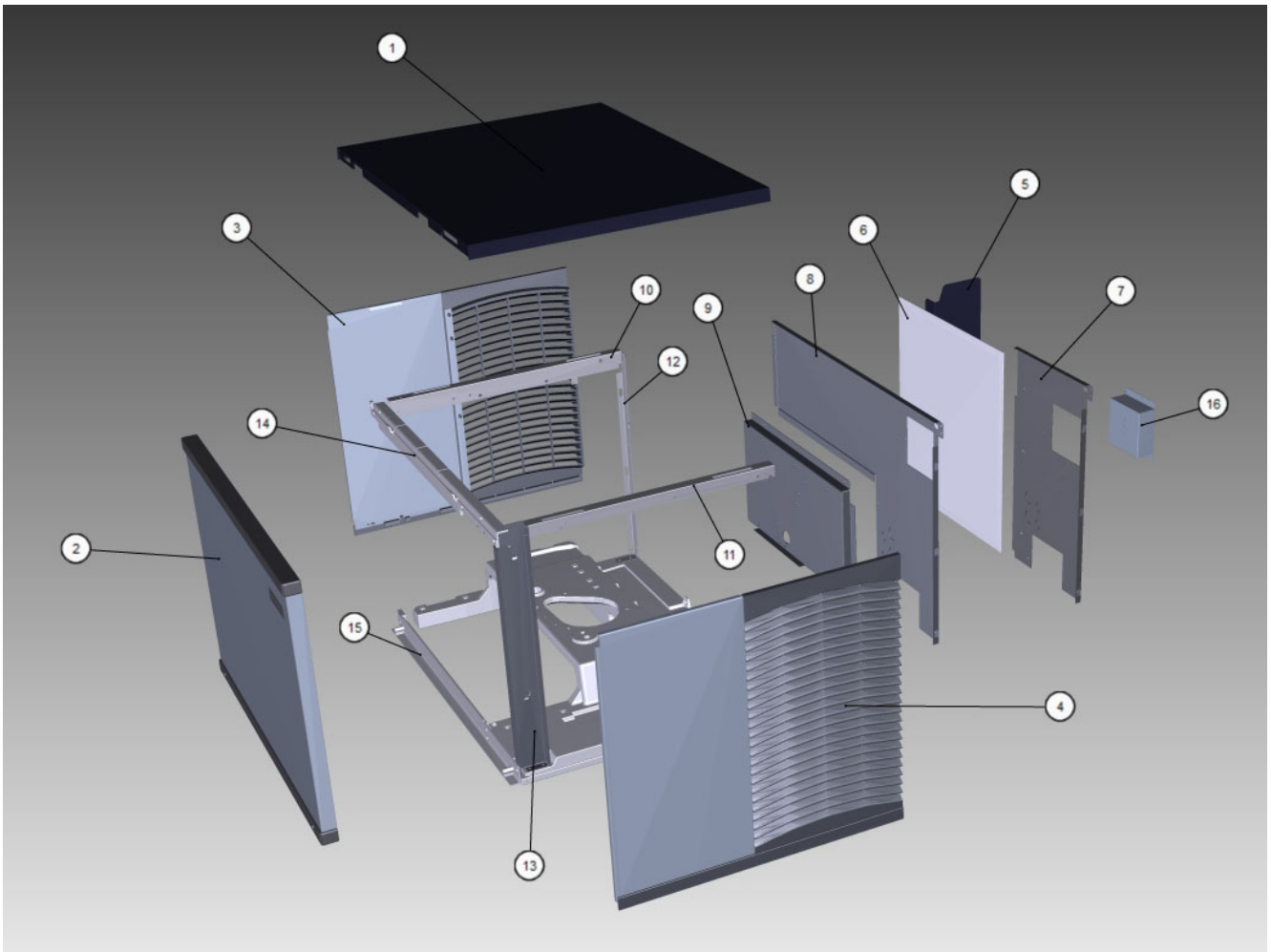
PART NOTES:

- [1] - Snaps into Place
- [2] - Includes Cover and Instructions
- [3] - Includes O-Rings
- [4] - Includes top frame disks and hex nuts.

K0350 Evaporator Compartment

K0350

K0350 Panels



K0350 Panels

Koolaire Panel

K0350

K0350 Panels

#	PART #	DESCRIPTION	QTY	Note
1	000010523	Top Cover		
2	000012139	Front Panel		
2a	000010600	Door - Drip Lip		
2b	000010294	Door Seal		
2c	000010293	Front Panel Mounting Brackets		
2d	000008023	Screw - #8-32 x 0.875"		
3	000011272	Left Side Panel		[1]
4	000011271	Right Side Panel		[2]
5	000007314	Air Baffle Assembly		
6	3005939	Air Filter - 16.8" x 12.81"		
7	000012033	Back Panel - Air-cooled		
8	000011092	Back Panel - Water-cooled and Remote Air-cooled		
9	000010603	Back Coupling Panel - Water-cooled/Remote		
10	6068649	Left Top Channel		
11	000011032	Right Top Channel		
12	000012031	Left Corner Post		
13	000011326	Right Corner Post		
14	000010269	Front Top Support		
15	000010268	Bottom Door Frame		
15a	000001127	Tapping Plate - Panel Hinge Screws		
16	6067289	Rear Connection Box		
16a	6067299	Cover - Rear Connection Box		
17	2006143	Terminal Block - 50 Hz - 3 Pole		
18	5202169	Screw - #10-24 x 0.5" Ground		
19	5005099	Screw - #10-16 x 0.625"		
20	8706083	Female Wing Adapter - Brass - 0.5"		
21	5202099	Screw - #10-24 x 0.5" PHIL		
22	000012225	Cartoning		

PART NOTES:

- [1] - Includes panel louver, panel trim bottom, left side panel and dual lock-low profile fastener.
- [2] - Includes panel louver, panel trim bottom, right side panel and dual lock-low profile fastener.